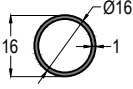
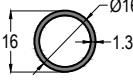
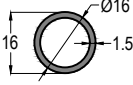
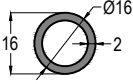
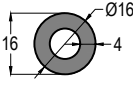
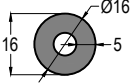


R800

BORU KÜPEŞTE PROFİLLERİ
CIRCULAR RAILING PROFILES



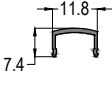
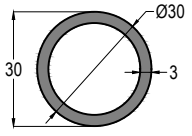
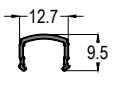
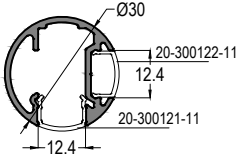
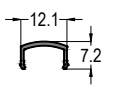
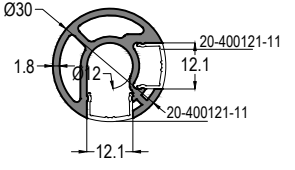
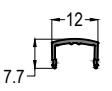
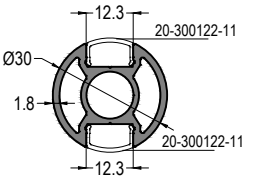
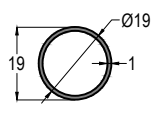
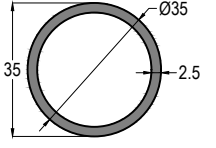
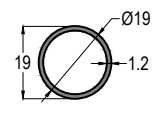
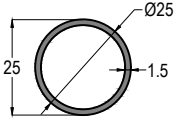
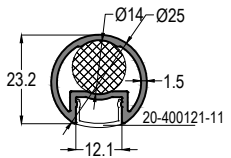
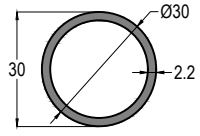
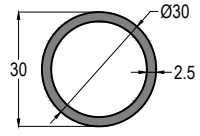
16'LIK DİKME PROFİL LİSTESİ - PROFILES LIST FOR Ø16 VERTICAL PROFILE

01-000160-10				
16'LİK BORU PROFİL Ø16 TUBE PROFILE	AĞIRLIK / Weight 0,127 kg/mt			
01-000160-13				
16'LİK BORU PROFİL Ø16 TUBE PROFILE	AĞIRLIK / Weight 0,163 kg/mt			
01-000160-15				
16'LİK BORU PROFİL Ø16 TUBE PROFILE	AĞIRLIK / Weight 0,185 kg/mt			
01-000160-20				
16'LİK BORU PROFİL Ø16 TUBE PROFILE	AĞIRLIK / Weight 0,238 kg/mt			
01-000160-40				
16'LİK BORU PROFİL Ø16 TUBE PROFILE	AĞIRLIK / Weight 0,409 kg/mt			
01-000160-50				
16'LİK BORU PROFİL Ø16 TUBE PROFILE	AĞIRLIK / Weight 0,468 kg/mt			

16' LİK DİKME AKSESUAR LİSTESİ - ACCESSORIES LISTS FOR Ø16

AS01-160		AS15-166	
16'LİK BORU FLANŞ Ø16mm TUBE FLANGE		16'LİK TUTAMAK Ø16mm TUBE HOLDER	
AS03-160		AS15-167	
16'LİK DIŞTAN VİDALI FLANŞ Ø16mm TUBE FLANGE-EXTERNAL SCREWED		16'LİK ÇİFTLİ TUTAMAK Ø16mm TUBE DOUBLE HOLDER	
AS06-160		AS15-171	
16'LİK BORU BİLEZİK Ø16mm TUBE RING		16'LİK VİDA TAPASI Ø16mm TUBE SCREWABLE PLUG	
AS10-161		AS16-630	
16'LİK BORU TAPASI Ø16mm TUBE PLUG		16'LİK BORU 30'LUK KURTAĞZI 30mm INTERCONNECTION FOR Ø16mm TUBE	
AS12-160			
16'LİK BORU DEKORLU TAPA Ø16mm TUBE DECORATIVE PLUG			
AS14-161			
16'LİK BORU 90° DİRSEK Ø16mm TUBE 90° ELBOW			
AS14-162			
16'LİK BORU 135° DİRSEK Ø16mm TUBE 135° ELBOW			
AS14-163			
16'LİK DEKORATİF BORU - 920mm Ø16mm TUBE DECORATIVE - 920mm			
AS14-164			
16'LİK AYARLI KÜRE DİRSEK Ø16mm ADJUSTABLE SPHERE ELBOW			
AS15-165			
16'LİK KURTAĞIZLI BORU TUTAMAK Ø16mm TUBE HOLDER			

19-25-30-35 LİK DİKME PROFİL LİSTESİ - PROFILES LIST FOR Ø19-Ø25-Ø30-Ø35 VERTICAL PROFILES

20-400121-11			01-000300-30		
KAPAK PROFİLİ COVER PROFILE	AĞIRLIK / Weight 0,060 kg/mt		BORU PROFİL-30mm TUBE PROFILE-30mm	AĞIRLIK / Weight 0,692 kg/mt	
20-300121-11			20-300211-15		
KAPAK PROFİLİ COVER PROFILE	AĞIRLIK / Weight 0,076 kg/mt		DİKME PROFİLİ-30mm VERTICAL PROFILE-30mm	AĞIRLIK / Weight 0,415 kg/mt	
20-300122-11			20-281231-18		
KAPAK PROFİLİ COVER PROFILE	AĞIRLIK / Weight 0,060 kg/mt		DİKME PROFİLİ-30mm VERTICAL PROFILE-30mm	AĞIRLIK / Weight 0,600 kg/mt	
20-400121-11			20-301211-18		
KAPAK PROFİLİ COVER PROFILE	AĞIRLIK / Weight 0,060 kg/mt		DİKME PROFİLİ-30mm VERTICAL PROFILE-30mm	AĞIRLIK / Weight 0,621 kg/mt	
01-000190-10			01-000350-25		
BORU PROFİL-25mm TUBE PROFILE-25mm	AĞIRLIK / Weight 0,153 kg/mt		BORU PROFİL -35mm TUBE PROFILE-35mm	AĞIRLIK / Weight 0,691 kg/mt	
01-000190-12					
BORU PROFİL-25mm TUBE PROFILE-25mm	AĞIRLIK / Weight 0,182 kg/mt				
01-000250-15					
BORU PROFİL-25mm TUBE PROFILE-25mm	AĞIRLIK / Weight 0,300 kg/mt				
20-251111-15					
DİKME PROFİLİ-25mm VERTICAL PROFILE-25mm	AĞIRLIK / Weight 0,352 kg/mt				
01-000300-22					
BORU PROFİL-30mm TUBE PROFILE-30mm	AĞIRLIK / Weight 0,521 kg/mt				
01-000300-25					
BORU PROFİL-30mm TUBE PROFILE-30mm	AĞIRLIK / Weight 0,585 kg/mt				

AS03-330			
30'LUK DIŞTAN VİDALI FLANŞ Ø30mm TUBE FLANGE-EXTERNAL SCREWED			
AS06-330			
30'LUK BORU BİLEZİK Ø30mm TUBE RING			
AS10-330			
30'LUK BORU TAPASI Ø30mm TUBE PLUG			
AS14-330			
30'LUK AYARLI KÜRE DİRSEK Ø30mm TUBE ADJUSTABLE SPHERE ELBOW			
AS16-630			
(16x30) BORU ARA BAĞLANTI 30mm INTERCONNECTION FOR Ø16mm TUBE			
AS16-330			
(30x30) BORU ARA BAĞLANTI 30mm INTERCONNECTION FOR Ø30mm TUBE			
AS16-340			
(30x40) BORU ARA BAĞLANTI 40mm INTERCONNECTION FOR Ø30mm TUBE			

40 LİK DİKME PROFİL LİSTESİ - PROFILES LIST FOR Ø40 VERTICAL PROFILES

20-400121-11			20-401213-14		
KAPAK PROFİLİ COVER PROFILE	AĞIRLIK / Weight 0,060 kg/mt		DİKME PROFİLİ-40mm VERTICAL PROFILE-40mm	AĞIRLIK / Weight 0,792 kg/mt	
20-400124-12			20-401211-15		
KAPAK PROFİLİ COVER PROFILE	AĞIRLIK / Weight 0,068 kg/mt		DİKME PROFİLİ-40mm VERTICAL PROFILE-40mm	AĞIRLIK / Weight 0,904 kg/mt	
01-000400-25			20-401212-20		
BORU PROFİL-40mm TUBE PROFILE-40mm	AĞIRLIK / Weight 0,800 kg/mt		DİKME PROFİLİ-40mm VERTICAL PROFILE-40mm	AĞIRLIK / Weight 1,050 kg/mt	
20-401014-15			20-401211-11		
DİKME PROFİLİ-40mm VERTICAL PROFILE-40mm	AĞIRLIK / Weight 0,865 kg/mt		DİKME PROFİLİ-40mm VERTICAL PROFILE-40mm	AĞIRLIK / Weight 0,581 kg/mt	
20-401216-15			20-402216-12		
DİKME PROFİLİ-40mm VERTICAL PROFILE-40mm	AĞIRLIK / Weight 0,869 kg/mt		DİKME PROFİLİ-40mm VERTICAL PROFILE-40mm	AĞIRLIK / Weight 0,576 kg/mt	
20-401216-12			20-400216-14		
DİKME PROFİLİ-40mm VERTICAL PROFILE-40mm	AĞIRLIK / Weight 0,702 kg/mt		DİKME PROFİLİ-40mm VERTICAL PROFILE-40mm	AĞIRLIK / Weight 0,672 kg/mt	
20-400117-20			20-400211-16		
DİKME PROFİLİ-40mm VERTICAL PROFILE-40mm	AĞIRLIK / Weight 0,883 kg/mt		DİKME PROFİLİ-40mm VERTICAL PROFILE-40mm	AĞIRLIK / Weight 0,718 kg/mt	
20-400111-15			20-401311-23		
DİKME PROFİLİ-40mm VERTICAL PROFILE-40mm	AĞIRLIK / Weight 0,775 kg/mt		DİKME PROFİLİ-40mm VERTICAL PROFILE-40mm	AĞIRLIK / Weight 1,125 kg/mt	
20-400116-12			20-401411-16		
DİKME PROFİLİ-40mm VERTICAL PROFILE-40mm	AĞIRLIK / Weight 0,650 kg/mt		DİKME PROFİLİ-40mm VERTICAL PROFILE-40mm	AĞIRLIK / Weight 1,071 kg/mt	
20-400214-20					
DİKME PROFİLİ-40mm VERTICAL PROFILE-40mm	AĞIRLIK / Weight 0,897 kg/mt				

40 LİK DİKME AKSESUAR LİSTESİ - ACCESSORIES LIST FOR Ø40 VERTICAL PROFILES

AS01-440		AS05-451	
40'LİK BORU FLANŞI Ø40mm TUBE FLANGE		(40x50) DİKME HAREKETLİ MAFSAL 50mm CRESCENT CONNECTION FOR Ø40mm	
AS02-440		AS06-440	
40'LİK BORU FLANŞI-TEK TIRNAK Ø40mm TUBE FLANGE-SINGLE PIN		40'LİK BİLEZİK Ø40mm TUBE RING	
AS02-441		AS06-441	
40'LİK BORU FLANŞI-ÇİFT TIRNAK Ø40mm TUBE FLANGE-DOUBLE PINS		40'LİK BORU TAVAN BİLEZİK Ø40mm TUBE CEILING RING	
AS02-442		AS06-442	
40'LİK BORU FLANŞI-TIRNAKSIZ Ø40mm TUBE FLANGE-WITHOUT PIN		40'LİK DİKME ÇİFT TIRNAK TAVAN BİLEZİK Ø40mm TUBE CEILING RING	
AS02-444		AS07-440	
40'LİK DİKME FLANŞI - UZUN Ø40mm TUBE FLANGE - LONG		40'LİK BORUYA GÖRE CAM TUTUCU 12mm Ø40mm TUBE GLASS HOLDER	
AS02-445		AS07-441	
40'LİK DEKORLU ARA FLANŞ Ø40mm TUBE FLANGE-DECORATIVE		40'LİK BORUYA GÖRE VİDALI CAM TUTUCU 12mm Ø40mm TUBE SCREWED GLASS HOLDER	
AS03-440		AS07-442	
40'LİK DIŞTAN VİDALI FLANŞ - KISA Ø40mm TUBE FLANGE-EXTERNAL SCREWED		40'LİK BORUYA GÖRE FİTİLLİ CAM TUTUCU Ø40mm TUBE ADJUSTABLE GLASS HOLDER	
AS03-441		AS08-440	
40'LİK DIŞTAN VİDALI FLANŞ - UZUN Ø40mm TUBE FLANGE-EXTERNAL SCREWED		40'LİK DİKMEYE GÖRE CAM TUTUCU 12mm Ø40mm TUBE GLASS HOLDER	
AS04-440		AS08-441	
40'LİK DIŞTAN VİDALI FLANŞ KAPAĞI Ø40mm TUBE FLANGE COVER-EXTERNAL SCREWED		40'LİK DİKMEYE GÖRE VİDALI CAM TUTUCU 12mm Ø40mm TUBE SCREWED GLASS HOLDER	
AS05-450		AS08-442	
(40x50) BORU HAREKETLİ MAFSAL 50mm CRESCENT CONNECTION FOR Ø40mm		40'LİK DİKMEYE GÖRE FİTİLLİ CAM TUTUCU Ø40mm TUBE ADJUSTABLE GLASS HOLDER	

40 LİK DİKME AKSESUAR LİSTESİ - ACCESSORIES LISTS FOR Ø40 VERTICAL PROFILES

AS08-443		AS16-441	
40'LİK DİKME ARASI CAM TUTUCU Ø40mm TUBE GLASS HOLDER		(40x40) BORU ARA BAĞLANTI 40mm INTERCONNECTION FOR Ø40mm TUBE	
AS08-444		AS16-450	
40'LİK DİKME TEKLİ CAM TUTUCU Ø40mm TUBE SINGLE GLASS HOLDER		(40x50) DİKME ARA BAĞLANTI 50mm INTERCONNECTION FOR Ø40mm TUBE	
AS08-445		AS16-452	
40'LİK DİKME ÇİFTLİ CAM TUTUCU Ø40mm TUBE DOUBLE GLASS HOLDER		(40x50) DİKME SABİT MAFSAL 50mm INTERCONNECTION FOR Ø40mm TUBE	
AS10-440		AS17-330	
40'LİK BORU TAPASI Ø40 TUBE PLUG		40'LİK DUVAR ARA BAĞLANTI Ø40mm TUBE INTERCONNECTION FROM WALL	
AS11-440		AS17-331	
40'LİK DİKME TAPASI Ø40 TUBE PLUG		DUVAR PULU CAPS FOR WALL	
AS12-441			
40'LİK DİKME DEKORLU TAPA Ø40 TUBE DECORATIVE PLUG			
AS12-551			
40'LİK DİKME DEKORLU TAPA Ø50mm TUBE DECORATIVE PLUG			
AS16-340			
(30x40) BORU ARA BAĞLANTI 40mm INTERCONNECTION FOR Ø30mm TUBE			
AS16-350			
(40x50) BORU ARA BAĞLANTI 50mm INTERCONNECTION FOR Ø40mm TUBE			
AS16-440			
(40x40) DİKME ARA BAĞLANTI 40mm INTERCONNECTION FOR Ø40mm TUBE			

50 ve 60 LIK DİKME PROFİL LİSTESİ - PROFILES LIST FOR Ø50-Ø60 VERTICAL PROFILES

20-210021-15			20-501121-20		
KAPAK PROFİLİ COVER PROFILE	AĞIRLIK / Weight 0,141 kg/mt		DİKME PROFİLİ-50mm VERTICAL PROFILE-50mm	AĞIRLIK / Weight 1,051 kg/mt	
01-000500-15			01-000600-13		
BORU PROFİL-50mm TUBE PROFILE-50mm	AĞIRLIK / Weight 0,619 kg/mt		BORU PROFİL-60mm TUBE PROFILE-60mm	AĞIRLIK / Weight 0,648 kg/mt	
01-000500-20			01-000600-15		
BORU PROFİL-50mm TUBE PROFILE-50mm	AĞIRLIK / Weight 0,817 kg/mt		BORU PROFİL-60mm TUBE PROFILE-60mm	AĞIRLIK / Weight 0,745 kg/mt	
01-000500-25			01-000600-25		
BORU PROFİL-50mm TUBE PROFILE-50mm	AĞIRLIK / Weight 1,011 kg/mt		BORU PROFİL-60mm TUBE PROFILE-60mm	AĞIRLIK / Weight 1,220 kg/mt	
20-501113-20			01-100660-30		
DİKME PROFİLİ-50mm VERTICAL PROFILE-50mm	AĞIRLIK / Weight 1,366 kg/mt		BORU PROFİL-66mm TUBE PROFILE-66mm	AĞIRLIK / Weight 1,380 kg/mt	
20-500132-25			20-500051-17		
DİKME PROFİLİ-50mm VERTICAL PROFILE-50mm	AĞIRLIK / Weight 1,282 kg/mt		ÜST PROFİL-50mm TOP RAIL PROFILE-50mm	AĞIRLIK / Weight 1,165 kg/mt	

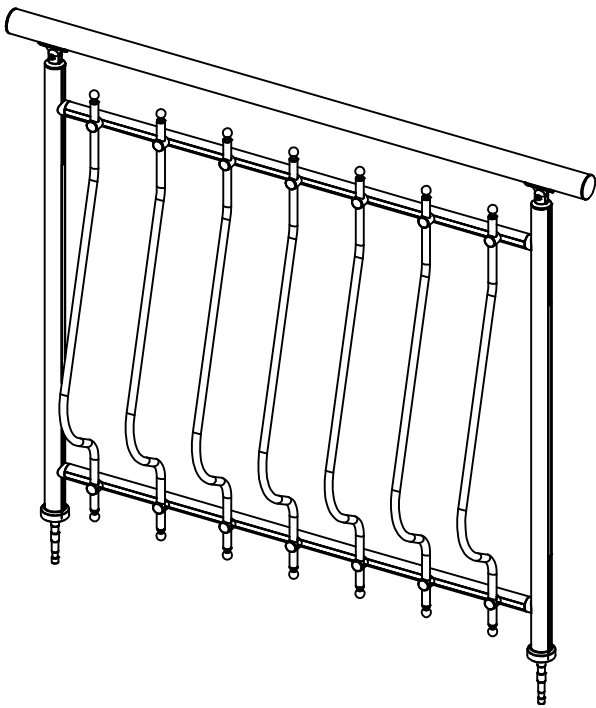
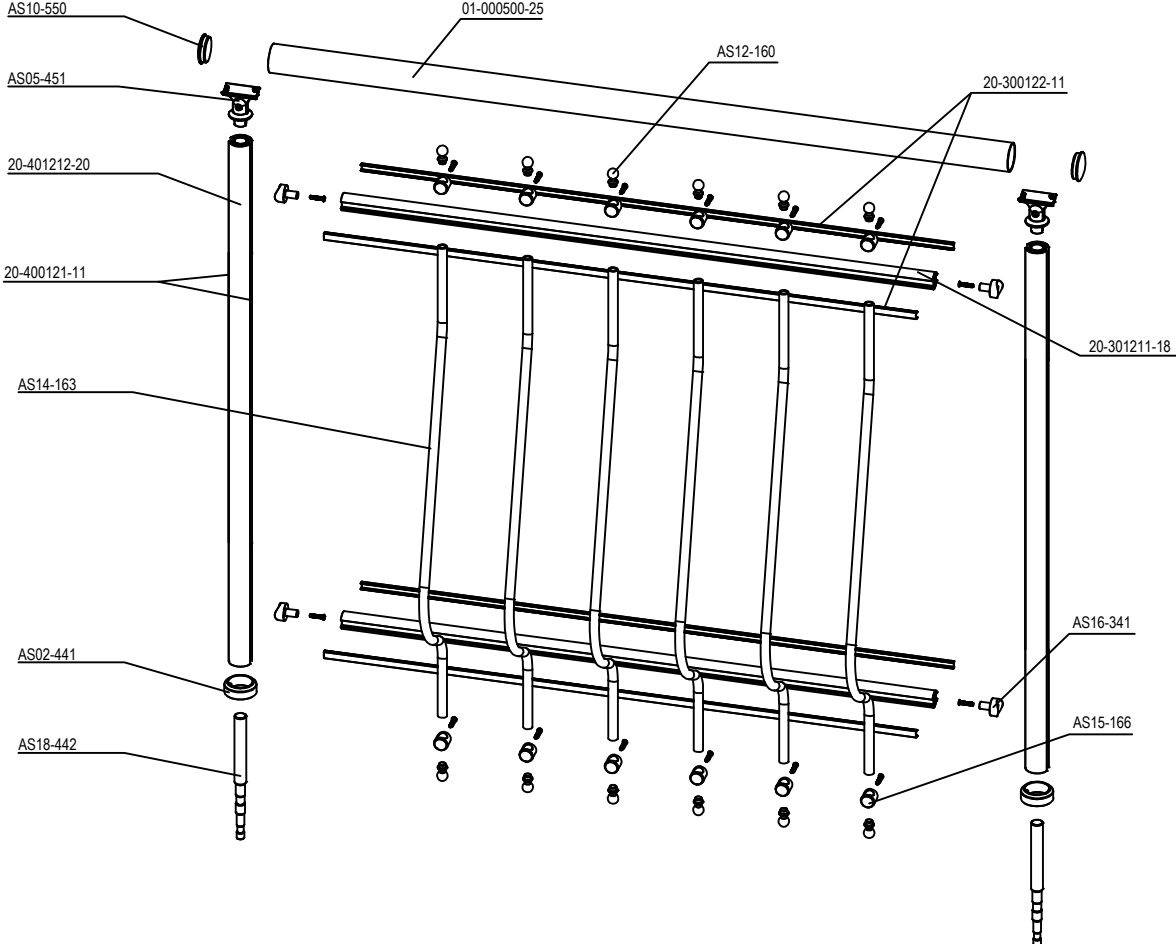
50 ve 60 LIK DİKME AKSESUAR LİSTESİ - ACCESSORIES LIST FOR Ø50-Ø60 VERTICAL PROFILES

AS01-550		AS06-550	
50'LİK BORU FLANŞI Ø50mm TUBE FLANGE		50'LİK BİLEZİK Ø50mm TUBE RING	
AS01-551		AS06-551	
50'LİK BORU FLANŞI - UZUN Ø50mm TUBE FLANGE - LONG		50'LİK BİLEZİK - UZUN Ø50mm TUBE RING - LONG	
AS03-550		AS06-552	
50'LİK DIŞTAN VİDALI FLANŞ Ø50mm TUBE FLANGE-EXTERNAL SCREWED		50'LİK BORU TAVAN BİLEZİK Ø50mm TUBE CEILING RING	
AS03-551		AS10-550	
50'LİK DIŞTAN VİDALI FLANŞ - UZUN Ø50mm TUBE FLANGE-EXTERNAL SCREWED		50'LİK BORU TAPASI Ø50mm TUBE PLUG	
AS04-550		AS12-550	
50'LİK DIŞTAN VİDALI FLANŞ KAPAĞI Ø50mm TUBE FLANGE COVER-EXTERNAL SCREWED		50'LİK BORU DEKORLU TAPA Ø50mm TUBE DECORATIVE PLUG	
AS05-502		AS12-552	
50'LİK L BAĞLANTI - 135° Ø50mm TUBE ANGLED L CONNECTION		50'LİK BORU KRİSTAL DEKORLU TAPA Ø50mm TUBE DECORATIVE CRYSTAL PLUG	
AS05-503		AS13-554	
50'LİK L BAĞLANTI - 90° Ø50mm TUBE L CONNECTION		50'LİK 1/4 BİLEZİKLİ BOŞ DİRSEK Ø50mm TUBE 1/4 EMPTY RING	
AS05-450		AS13-555	
(40x50) BORU HAREKETLİ MAFSAL 50mm CRESCENT CONNECTION FOR Ø40mm		50'LİK 1/8 BİLEZİKLİ BOŞ DİRSEK Ø50mm TUBE 1/8 EMPTY RING	
AS05-451		AS14-551	
(40x50) DİKME HAREKETLİ MAFSAL 50mm CRESCENT CONNECTION FOR Ø40mm		50'LİK BİLEZİKLİ KÜRE DİRSEK-DOLU Ø50mm TUBE SPHERE ELBOW WITH RING	
AS05-550		AS14-550	
(50x50) BORU HAREKETLİ MAFSAL 50mm CRESCENT CONNECTION FOR Ø50mm		50'LİK BİLEZİKLİ KÜRE DİRSEK-BOŞ Ø50mm TUBE SPHERE ELBOW WITH RING	

50 ve 60 LIK DİKME AKSESUAR LİSTESİ - ACCESSORIES LIST FOR Ø50-Ø60 VERTICAL PROFILES

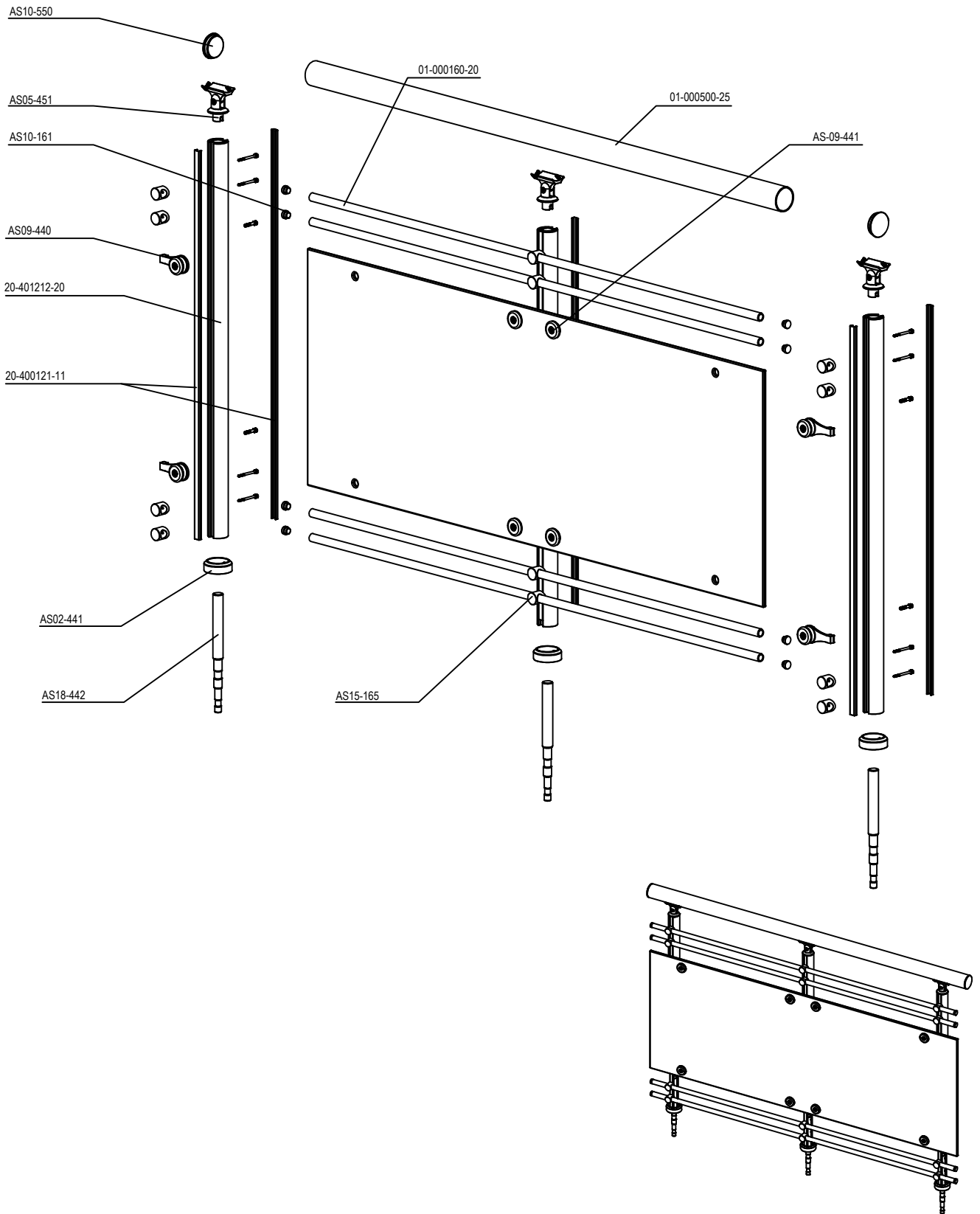
AS14-552			
50'LİK FRANSIZ BALKON KÜRE <i>Ø50mm TUBE SPHERE FOR FRENCH BALCONY</i>			
AS14-553			
50'LİK SABİT MAFSALLI KÜRE DİRSEK <i>Ø50mm TUBE SPHERE ELBOW</i>			
AS17-550			
50'LİK DEKORLU TAPA BAĞLANTISI <i>Ø50mm TUBE DECORATIVE PLUG CONNECTION</i>			
AS17-551			
50'LİK BORU DUVAR DİBİ BAĞLANTI <i>Ø50mm TUBE WALL CONNECTION</i>			
AS16-350			
(40x50) BORU ARA BAĞLANTI <i>50mm INTERCONNECTION FOR Ø40mm TUBE</i>			
AS16-450			
(40x50) DİKME ARA BAĞLANTI <i>50mm INTERCONNECTION FOR Ø40mm TUBE</i>			
AS16-550			
(50x50) BORU ARA BAĞLANTI <i>50mm INTERCONNECTION FOR Ø50mm TUBE</i>			

AS09-400		AS18-445	
CAM TAKOZU GLASS STOPER		40'LİK DİKME YANDAN ANKRAJ DEMİRİ Ø40mm TUBE ANCHOR FROM SIDE	
AS09-400P			
CAM TAKOZU - PLASTİK GLASS STOPER			
AS17-441			
40'LİK DİKME YAN BAĞLANTI-KUMBARA SPECIAL INTERCONNECTION			
AS19-150			
KÜPEŞTE KAPI MENTEŞESİ DOOR HINGE			
AS19-200			
KÜPEŞTE KAPI SÜRGÜSÜ DOOR BOLT			
AS18-440			
40'LİK DİKME ANKRAJ DEMİRİ DOLU 140mm Ø40mm TUBE ANCHOR - 140mm			
AS18-441			
40'LİK DİKME ANKRAJ DEMİRİ DOLU 210mm Ø40mm TUBE ANCHOR - 210mm			
AS18-442			
40'LİK DİKME ANKRAJ DEMİRİ - 240mm Ø40mm TUBE ANCHOR - 240mm			
AS18-443			
40'LİK DİKME ANKRAJ DEMİRİ - 480mm Ø40mm TUBE ANCHOR - 480mm			
AS18-444			
40'LİK DİKME VİDALI ANKRAJ - 210mm Ø40mm TUBE SCREWED ANCHOR - 210mm			



KÜPEŞTE PROFİLLERİ

RAILING PROFILES

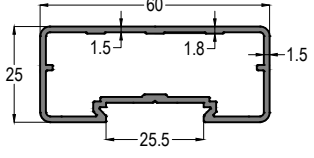
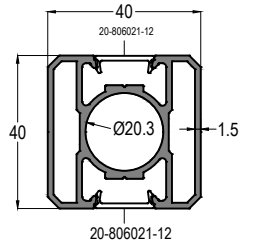
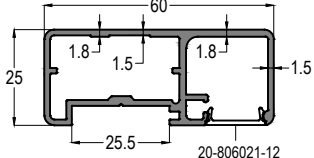
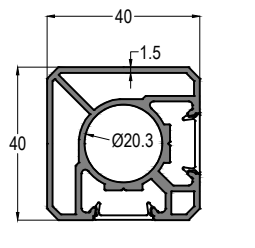
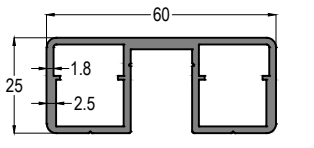
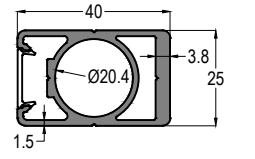
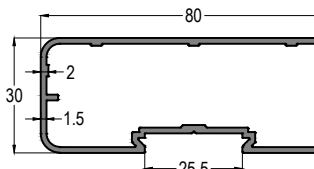
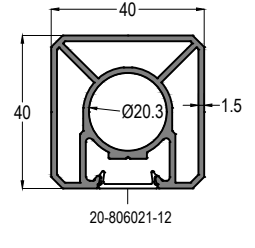
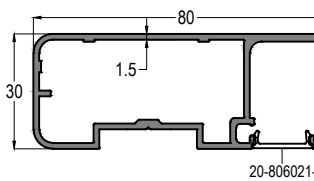
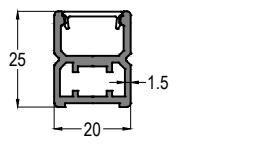
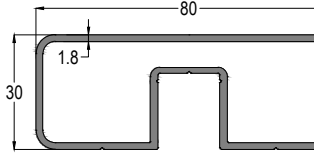
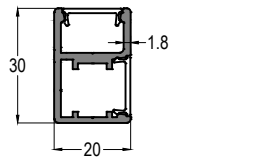
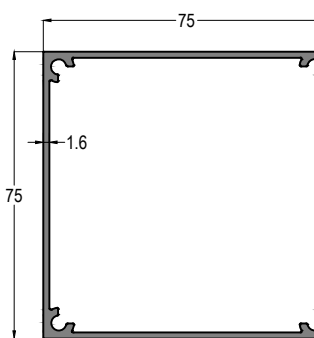
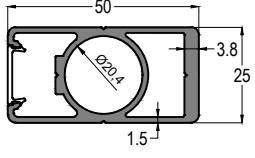
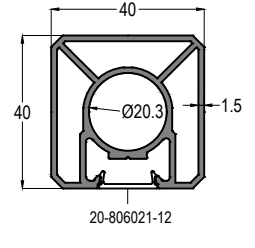
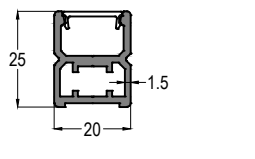
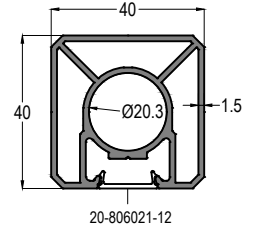
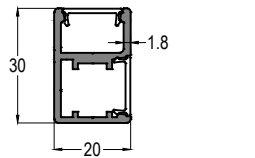


R800

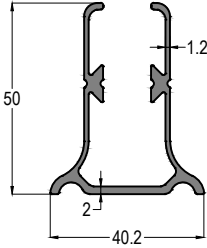
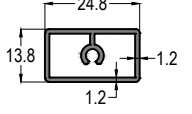
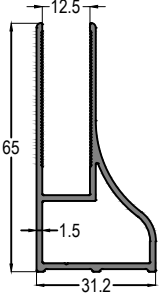
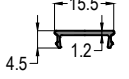
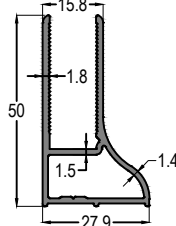
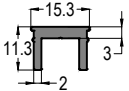
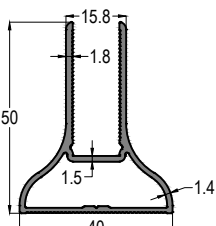
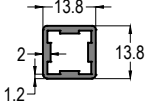
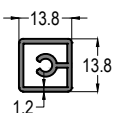
ECORAIL - KARE KÜPEŞTE PROFİLLERİ
SQUARE RAILING PROFILES
















PROFİL LİSTESİ - PROFILE LISTS

20-3202			20-3102		
KÜPEŞTE ÜST PROFİLİ UPPER RAILING PROFILE	AĞIRLIK / Weight 0,753 kg/mt		DİKME PROFİLİ VERTICAL PROFILE	AĞIRLIK / Weight 1,099 kg/mt	
20-3203			20-3103		
KÜPEŞTE ÜST PROFİLİ UPPER RAILING PROFILE	AĞIRLIK / Weight 0,830 kg/mt		DİKME PROFİLİ VERTICAL PROFILE	AĞIRLIK / Weight 1,112 kg/mt	
20-601032-25			20-3104		
KÜPEŞTE ÜST PROFİLİ UPPER RAILING PROFILE	AĞIRLIK / Weight 1,021 kg/mt		DİKME PROFİLİ VERTICAL PROFILE	AĞIRLIK / Weight 0,875 kg/mt	
20-3204			20-3101		
KÜPEŞTE ÜST PROFİLİ UPPER RAILING PROFILE	AĞIRLIK / Weight 0,956 kg/mt		DİKME PROFİLİ VERTICAL PROFILE	AĞIRLIK / Weight 1,096 kg/mt	
20-3201			20-3405		
KÜPEŞTE ÜST PROFİLİ UPPER RAILING PROFILE	AĞIRLIK / Weight 1,075 kg/mt		PANEL PROFİLİ PANEL PROFILE	AĞIRLIK / Weight 0,454 kg/mt	
20-800021-18			20-3404		
KÜPEŞTE ÜST PROFİLİ UPPER RAILING PROFILE	AĞIRLIK / Weight 1,198 kg/mt		PANEL PROFİLİ PANEL PROFILE	AĞIRLIK / Weight 0,424 kg/mt	
20-756001-16			20-501112-15		
DİKME PROFİLİ VERTICAL PROFILE	AĞIRLIK / Weight 1,423 kg/mt		DİKME PROFİLİ VERTICAL PROFILE	AĞIRLIK / Weight 0,964 kg/mt	
20-3101			20-3405		
DİKME PROFİLİ VERTICAL PROFILE	AĞIRLIK / Weight 1,096 kg/mt		PANEL PROFİLİ PANEL PROFILE	AĞIRLIK / Weight 0,454 kg/mt	
20-3101			20-3404		
DİKME PROFİLİ VERTICAL PROFILE	AĞIRLIK / Weight 1,096 kg/mt		PANEL PROFİLİ PANEL PROFILE	AĞIRLIK / Weight 0,424 kg/mt	


PROFİL LİSTESİ - PROFILE LISTS

20-2401			20-3403		
PANEL PROFİLİ <i>PANEL PROFILE</i>	AĞIRLIK / Weight 0,724 kg/mt		YATAY VE DÜŞEY EMNİYET PROFİLİ <i>HORIZONTAL & VERTICAL INFILL PROFILE</i>	AĞIRLIK / Weight 0,281 kg/mt	
20-2404			20-806021-12		
PANEL PROFİLİ <i>PANEL PROFILE</i>	AĞIRLIK / Weight 0,778 kg/mt		KAPAK PROFİLİ <i>COVER PROFILE</i>	AĞIRLIK / Weight 0,062 kg/mt	
1843			20-3501		
PANEL PROFİLİ <i>PANEL PROFILE</i>	AĞIRLIK / Weight 0,626 kg/mt		KAPAK PROFİLİ <i>COVER PROFILE</i>	AĞIRLIK / Weight 0,208 kg/mt	
1844					
PANEL PROFİLİ <i>PANEL PROFILE</i>	AĞIRLIK / Weight 0,689 kg/mt				
20-3401					
YATAY VE DÜŞEY EMNİYET PROFİLİ <i>HORIZONTAL & VERTICAL INFILL PROFILE</i>	AĞIRLIK / Weight 0,205 kg/mt				
20-3402					
YATAY VE DÜŞEY EMNİYET PROFİLİ <i>HORIZONTAL & VERTICAL INFILL PROFILE</i>	AĞIRLIK / Weight 0,211 kg/mt				





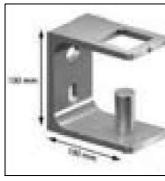







AKSESUAR LİSTESİ - ACCESSORIES LIST

AS-EM 111		20-3202 20-3204	AS-EM 222		20-3202 20-3204
MAFSAL BRACKET			MAFSAL BRACKET	20-3104	
AS-EM 112		20-3202 20-3204	AS-EM 231		20-3201 20-3202 20-3203 20-3204
MAFSAL BRACKET			MAFSAL BRACKET	20-3104	
AS-EM 211		20-3101 20-3102 20-3103 20-3201 20-3202 20-3203 20-3204	AS-EM 232		20-3202 20-3204
MAFSAL BRACKET	20-3101 20-3102 20-3103		MAFSAL BRACKET	20-501112-15	
AS-EM 212		20-3101 20-3102 20-3103 20-3202 20-3204	AS-EM 233		20-3202 20-3204
MAFSAL BRACKET	20-3101 20-3102 20-3103		MAFSAL BRACKET	20-501112-15	
AS-EM 213		20-3101 20-3102 20-3103 20-3202 20-3204			
MAFSAL BRACKET	20-3101 20-3102 20-3103				
AS-EM 214		20-3101 20-3102 20-3103 20-3202 20-3203			
MAFSAL BRACKET	20-3101 20-3102 20-3103				
AS-EM 214A		20-3101 20-3102 20-3103 20-3202			
MAFSAL BRACKET	20-3101 20-3102 20-3103				
AS-EM 215		20-3101 20-3102 20-3103 20-3201 20-3204			
MAFSAL BRACKET	20-3101 20-3102 20-3103				
AS-EM 215A		20-3101 20-3102 20-3103 20-3201 20-3204			
MAFSAL BRACKET	20-3101 20-3102 20-3103				
AS-EM 221		20-3101 20-3102 20-3103 20-3104 20-3201 20-3202 20-3203 20-3204			
MAFSAL BRACKET	20-3104				

AKSESUAR LİSTESİ - ACCESSORIES LIST

AS-ET 111		20-3202 20-3203	AS-EC 411A	
TAPA PLUG			CAM TUTUCU GLASS HOLDER	20-3101 20-3102 20-3103
AS-ET 112		20-601032-25	AS-EC 411B	
TAPA PLUG			CAM TUTUCU GLASS HOLDER	20-3101 20-3102 20-3103
AS-ET 121		20-3201 20-3204 20-800021-18	AS-EC 412	
TAPA PLUG			CAM TUTUCU GLASS HOLDER	20-3101 20-3102 20-3103 20-3104 20-501112-15
AS-ET 201		20-756001-16	AS-EC 413	
TAPA PLUG			CAM TUTUCU GLASS HOLDER	20-3101 20-3102 20-3103 20-3104 20-501112-15
AS-ET 211		20-3101 20-3102 20-3103		
TAPA PLUG				
AS-ET 221		20-3104		
TAPA PLUG				
AS-ET 231		20-501112-15		
TAPA PLUG				
AS-ET 311		20-3405		
TAPA PLUG				
AS-ET 321		20-3404		
TAPA PLUG				
AS-ET 411		20-3401		
TAPA PLUG				

AKSESUAR LİSTESİ - ACCESSORIES LIST

<p>AS-EY 211</p>		<p>AS-EY 312</p>	 <p>20-3405</p>
<p>YAN BAĞLANTI PAPUCU <i>SIDE INSTALLATION BRACKETS</i></p>	<p>20-3101 20-3102 20-3103</p>	<p>YAN BAĞLANTI PAPUCU <i>SIDE INSTALLATION BRACKETS</i></p>	<p>20-3101 20-3102 20-3103 20-3104 20-501112-15</p>
<p>AS-EY 211A</p>		<p>AS-EY 411</p>	 <p>20-3401</p>
<p>YAN BAĞLANTI PAPUCU <i>SIDE INSTALLATION BRACKETS</i></p>	<p>20-3101 20-3102 20-3103</p>	<p>YAN BAĞLANTI PAPUCU <i>SIDE INSTALLATION BRACKETS</i></p>	<p>20-3101 20-3102 20-3103 20-3104 20-501112-15</p>
<p>AS-EY 211B</p>			
<p>YAN BAĞLANTI PAPUCU <i>SIDE INSTALLATION BRACKETS</i></p>	<p>20-3101 20-3102 20-3103</p>		
<p>AS-EY 221</p>			
<p>YAN BAĞLANTI PAPUCU <i>SIDE INSTALLATION BRACKETS</i></p>	<p>20-3104</p>		
<p>AS-EY 221A</p>			
<p>YAN BAĞLANTI PAPUCU <i>SIDE INSTALLATION BRACKETS</i></p>	<p>20-3104</p>		
<p>AS-EY 221B</p>			
<p>YAN BAĞLANTI PAPUCU <i>SIDE INSTALLATION BRACKETS</i></p>	<p>20-3104</p>		
<p>AS-EY 231</p>			
<p>YAN BAĞLANTI PAPUCU <i>SIDE INSTALLATION BRACKETS</i></p>	<p>20-501112-15</p>		
<p>AS-EY 231A</p>			
<p>YAN BAĞLANTI PAPUCU <i>SIDE INSTALLATION BRACKETS</i></p>	<p>20-501112-15</p>		
<p>AS-EY 231B</p>			
<p>YAN BAĞLANTI PAPUCU <i>SIDE INSTALLATION BRACKETS</i></p>	<p>20-501112-15</p>		
<p>AS-EY 311</p>			<p>20-3405</p>
<p>YAN BAĞLANTI PAPUCU <i>SIDE INSTALLATION BRACKETS</i></p>	<p>20-3101 20-3102 20-3103 20-3104 20-501112-15</p>		

AKSESUAR LİSTESİ - ACCESSORIES LIST

AS-EF 111		20-3202 20-3203 20-601032-25	AS-EF 222	
FLANŞ FLANGE			FLANŞ FLANGE	20-3104
AS-EF 112		20-3202	AS-EF 231	
FLANŞ FLANGE		0-40°	FLANŞ FLANGE	20-501112-15
AS-EF 113		20-601032-25	AS-EF 232	
FLANŞ FLANGE			FLANŞ FLANGE	20-501112-15
AS-EF 121		20-3201 20-3204 20-800021-18		
FLANŞ FLANGE				
AS-EF 122		20-3204		
FLANŞ FLANGE		0-40°		
AS-EF 123		20-800021-18		
FLANŞ FLANGE				
AS-EF 201				
FLANŞ FLANGE	20-756001-16			
AS-EF 211		20-3101 20-3102 20-3103		
FLANŞ FLANGE				
AS-EF 212		20-3101 20-3102 20-3103		
FLANŞ FLANGE				
AS-EF 221				
FLANŞ FLANGE	20-3104			

AS-ES 111		20-3202 20-3203 90°	AS-ES 113B		20-3202 0-90° + 0-40°
DİRSEK ELBOW			DİRSEK ELBOW		
AS-ES 111A		20-601032-25 90°	AS-ES 113C		20-3202 0-40° + 0-90° + 0-40°
DİRSEK ELBOW			DİRSEK ELBOW		
AS-ES 111B		20-3203 90°	AS-ES 121		20-3201 20-3204 90°
DİRSEK ELBOW			DİRSEK ELBOW		
AS-ES 111C		20-3203 90°	AS-ES 121A		20-800021-18 90°
DİRSEK ELBOW			DİRSEK ELBOW		
AS-ES 112		20-3202 20-3203 45°	AS-ES 121B		20-3201 90°
DİRSEK ELBOW			DİRSEK ELBOW		
AS-ES 112A		20-601032-25 45°	AS-ES 121C		20-3201 90°
DİRSEK ELBOW			DİRSEK ELBOW		
AS-ES 112B		20-3203 45°	AS-ES 122		20-3201 20-3204 45°
DİRSEK ELBOW			DİRSEK ELBOW		
AS-ES 112C		20-3203 45°	AS-ES 122A		20-800021-18 45°
DİRSEK ELBOW			DİRSEK ELBOW		
AS-ES 113		20-3202 0-90°	AS-ES 122B		20-3201 45°
DİRSEK ELBOW			DİRSEK ELBOW		
AS-ES 113A		20-3202 0-40°	AS-ES 122C		20-3201 45°
DİRSEK ELBOW			DİRSEK ELBOW		

AKSESUAR LİSTESİ - ACCESSORIES LIST

AS-ES 123		20-3201 20-3204 0-90°	AS-ES 413		20-3401 0-90°
DİRSEK ELBOW			DİRSEK ELBOW		
AS-ES 123A		20-3204 0-40°	AS-ES 413A		20-3401 90° + 0-90°
DİRSEK ELBOW			DİRSEK ELBOW		
AS-ES 123BL		20-3204 90° + 0-40°			
DİRSEK ELBOW					
AS-ES 123BR		20-3204 0-40° + 90°			
DİRSEK ELBOW					
AS-ES 123C		20-3204 0-40° + 90° + 0-40°			
DİRSEK ELBOW					
AS-ES 311		20-3405 0-90°			
DİRSEK ELBOW					
AS-ES 311		20-3404 0-90°			
DİRSEK ELBOW					
AS-ES 411		20-3401 90°			
DİRSEK ELBOW					
AS-ES 412		20-3401 45°			
DİRSEK ELBOW					
AS-ES 412A		20-3401 30°			
DİRSEK ELBOW					

AKSESUAR LİSTESİ - ACCESSORIES LIST

AS-EB 111		20-3202 20-3203	AS-EB 411		20-3401
BİLEZİK RING			BİLEZİK RING		
AS-EB 111A		20-601032-25	AS-EB 412		20-3401
BİLEZİK RING			BAĞLANTI JOINTER		
AS-EB 111B		20-3203			
BİLEZİK RING					
AS-EB 112		20-3202			
BAĞLANTI JOINTER					
AS-EB 113		20-3201 20-3202 20-3203 20-3204			
BAĞLANTI JOINTER					
AS-EB 121		20-3201 20-3204			
BİLEZİK RING					
AS-EB 121A		20-800021-18			
BİLEZİK RING					
AS-EB 121B		20-3201			
BİLEZİK RING					
AS-EB 312		20-3405			
BAĞLANTI JOINTER					
AS-EB 322		20-3404			
BAĞLANTI JOINTER					

AS-EV 301		SOMUNLAR	
FİTİL GASKET		AS-EA 201 : M8 AS-EA 202 : M10	
AS-EV 302		AS-EA 206	
FİTİL GASKET		KÖR SOMUN BLIND NUT	
AS-EV 303		ANKRAJLAR	
FİTİL GASKET		AS-EA 301 : Ø20 x 350mm *AS-EA 301X : Ø20 x 350mm AS-EA 301A : Ø20 x 230mm AS-EA 301B : Ø20 x 200mm AS-EA 301D : Ø20 40mm **AS-EA 301E : Ø20 x 220mm *Üst kısım M8 dişli / with M8 thread on top **Borudan üretilmiştir / produced from pipe	
AS-EV 304			
FİTİL GASKET			
YHB VİDALAR		AS-EPO 001	
YHB 4,2x19 YHB 4,2 x 38 YHB 4,2 x 45		EPOKSİ YAPIŞTIRICI EPOXY GLUE	
YSB VİDALAR		AS-EPG	
YSB 4,2 x 19 YSB 4,2 x 25 YSB 4,2 x 38 YSB 4,2 x 45		EPOKSİ TABANCASI GUN FOR EPOXY GLUE	
AS-EV 501		AS-MSA-02	
BULDEKS VİDA -7,5 x100 BULDEX SCREWS		DOĞAL TAŞ YAPIŞTIRICI GLUE FOR STONE	
AS-EV 401			
PASLANMAZ İMBUS CİVATA - M6 x 40 HEXAGONAL SOCKET SCREWS			
İMBUS CİVATALAR			
AS-EV 411 : M6 x60 AS-EV 412 : M6 x 45 AS-EV 413 : M6 x 50			
SAPLAMALAR			
AS-EA 101 : M8 x 140 AS-EA 102 : M8 x 1000 AS-EA 103 : M10 x1250 AS-EA 104 : M10 x 150			

R800

CAM KÜPEŞTE PROFİLLERİ

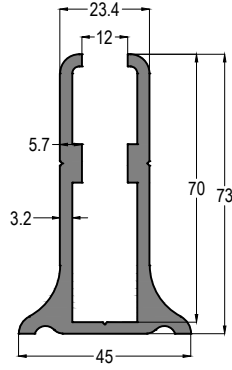
GLASS RAILING PROFILES

PROFİL LİSTESİ - PROFILE LISTS

20-730141-32

CAM TUTUCU PROFİL
GLASS HOLDER PROFILE

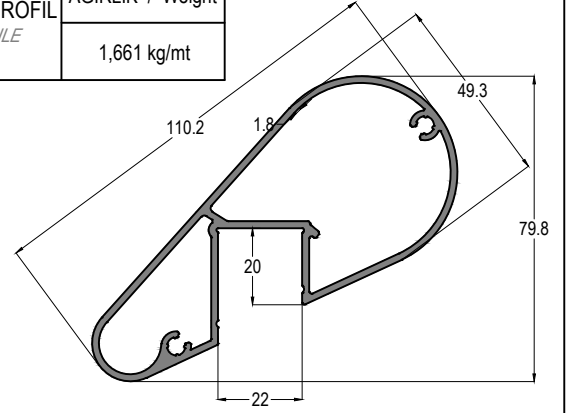
AĞIRLIK / Weight
1,917 kg/mt



13-09021

KÜPEŞTE ÜST PROFİL
TOP RAILING PROFILE

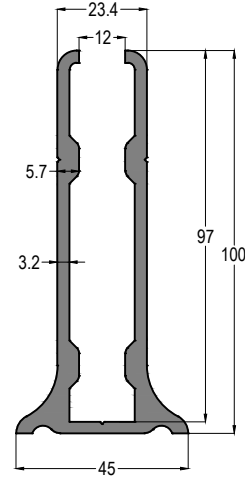
AĞIRLIK / Weight
1,661 kg/mt



20-100141-32

CAM TUTUCU PROFİL
GLASS HOLDER PROFILE

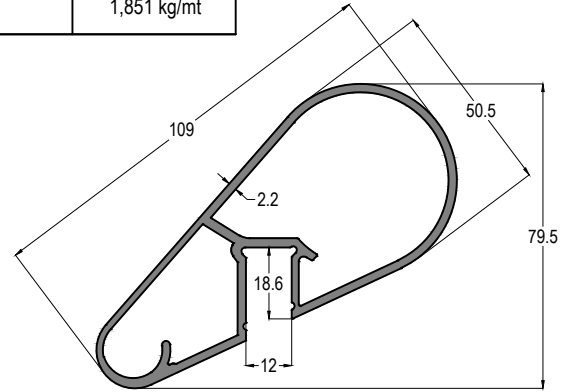
AĞIRLIK / Weight
2,520 kg/mt



20-109151-22

KÜPEŞTE ÜST PROFİL
TOP RAILING PROFILE

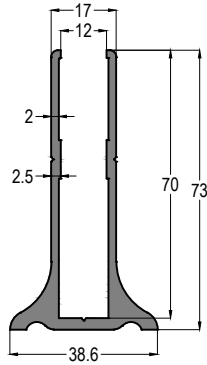
AĞIRLIK / Weight
1,851 kg/mt



20-730042-20

CAM TUTUCU PROFİL
GLASS HOLDER PROFILE

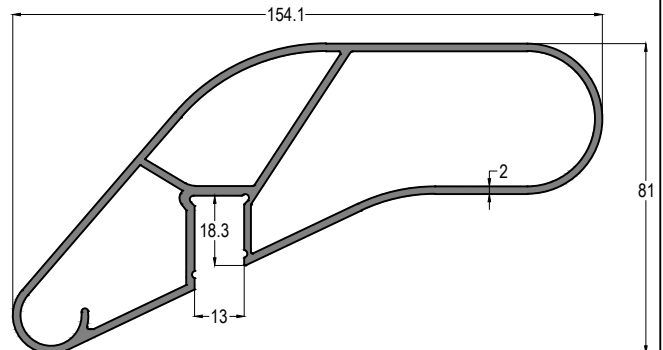
AĞIRLIK / Weight
1,285 kg/mt



20-154021-20

KÜPEŞTE ÜST PROFİL
TOP RAILING PROFILE

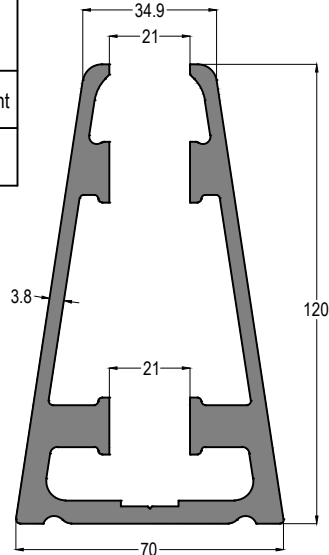
AĞIRLIK / Weight
2,608 kg/mt



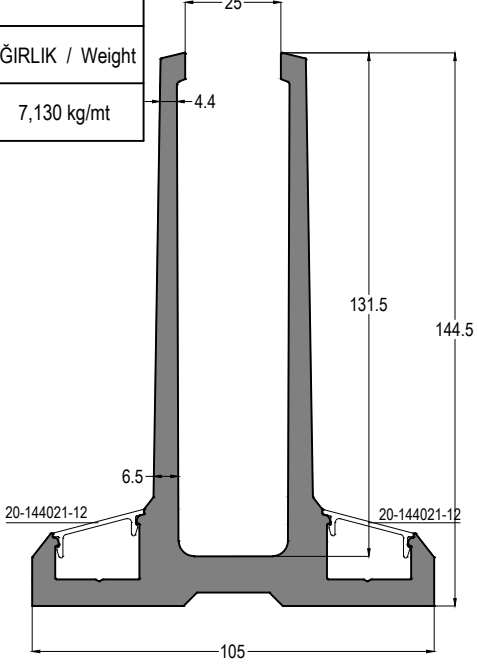
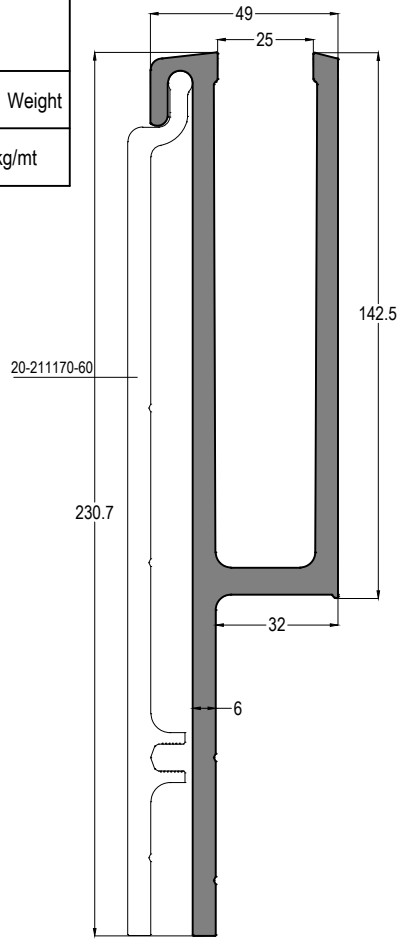
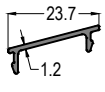
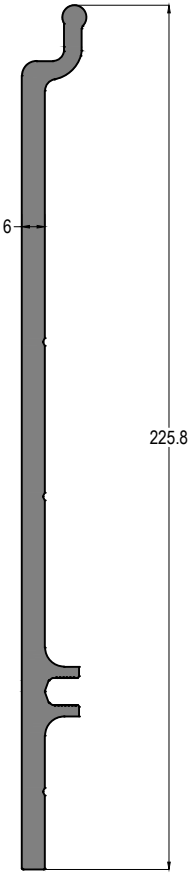
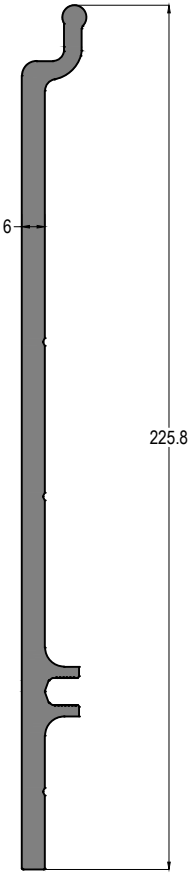
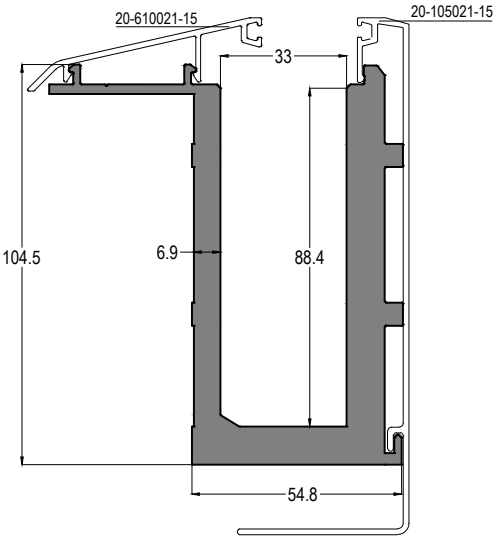
20-120171-38

CAM TUTUCU PROFİL
GLASS HOLDER PROFILE

AĞIRLIK / Weight
5,272 kg/mt



PROFİL LİSTESİ - PROFILE LISTS

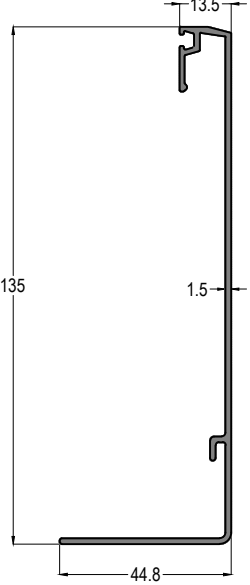
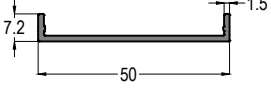
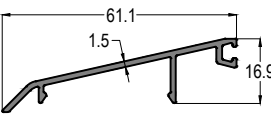
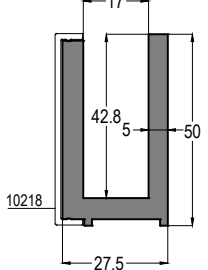
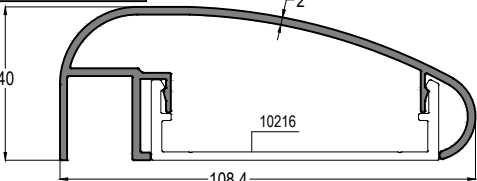
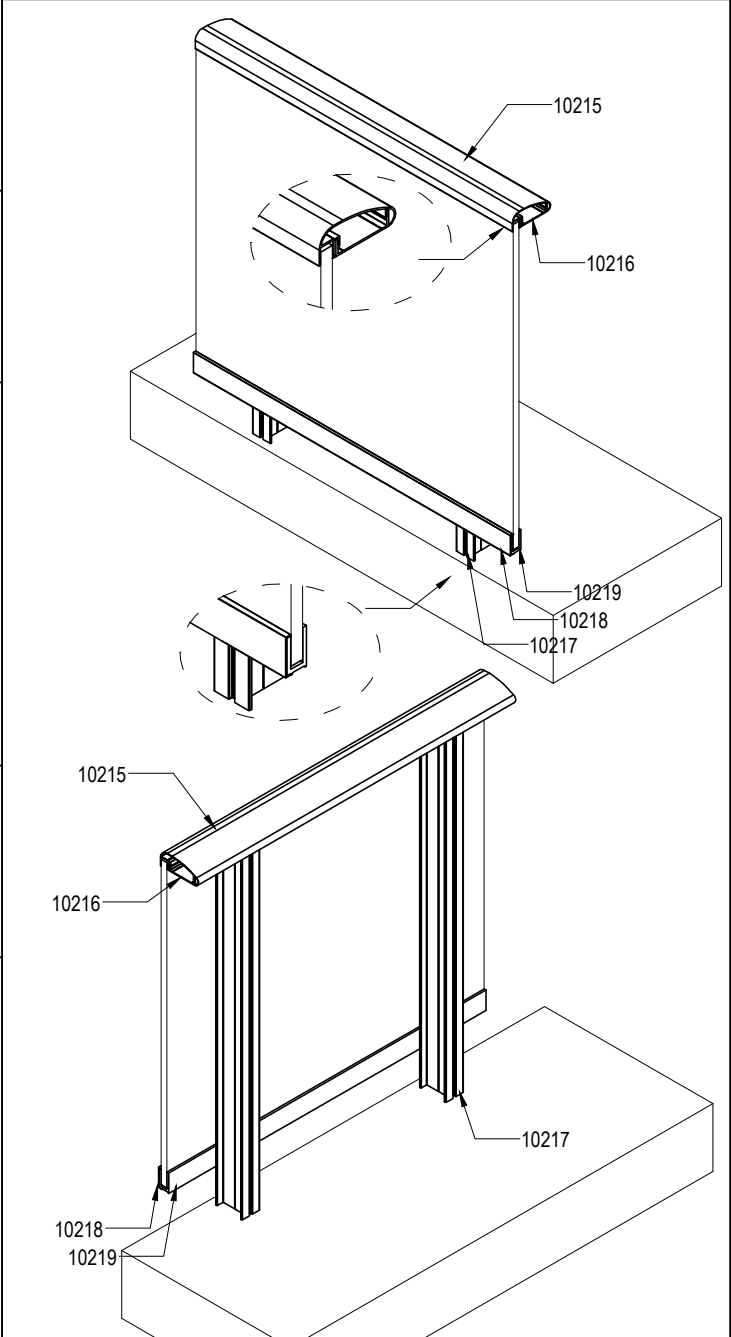
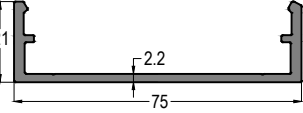
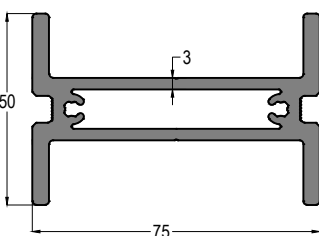
20-144011-90			20-230490-60		
CAM TUTUCU PROFİL GLASS HOLDER PROFILE	AĞIRLIK / Weight 7,130 kg/mt		CAM TUTUCU PROFİL GLASS HOLDER PROFILE	AĞIRLIK / Weight 6,689 kg/mt	
20-144021-12			20-211170-60		
KAPAK PROFİLİ COVER PROFILE	AĞIRLIK / Weight 0,117 kg/mt		MONTAJ PROFİLİ ASSEMBLY PROFILE	AĞIRLIK / Weight 3,894 kg/mt	
20-104221-70			20-104221-70		
CAM TUTUCU PROFİL GLASS HOLDER PROFILE	AĞIRLIK / Weight 6,051 kg/mt		CAM TUTUCU PROFİL GLASS HOLDER PROFILE	AĞIRLIK / Weight 6,051 kg/mt	

CAM KÜPEŞTE PROFİLLERİ

GLASS RAILING PROFILES



PROFİL LİSTESİ - PROFILE LISTS

20-105021-15			10218		
KAPAK PROFİLİ COVER PROFILE	AĞIRLIK / Weight 0,867 kg/mt		KAPAK PROFİLİ COVER PROFILE	AĞIRLIK / Weight 0,251 kg/mt	
20-610021-15			10219		
KAPAK PROFİLİ COVER PROFILE	AĞIRLIK / Weight 0,356 kg/mt		CAM TUTUCU PROFİL GLASS HOLDER PROFILE	AĞIRLIK / Weight 1,615 kg/mt	
10215					
KÜPEŞTE ÜST PROFİL TOP RAILING PROFILE	AĞIRLIK / Weight 1,202 kg/mt				
10216					
KAPAK PROFİLİ COVER PROFILE	AĞIRLIK / Weight 0,737 kg/mt				
10217					
DİKME PROFİLİ VERTICAL PROFILE	AĞIRLIK / Weight 2,460 kg/mt				