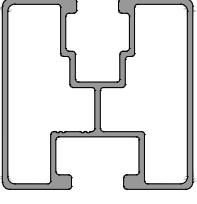
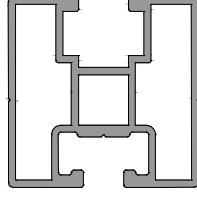
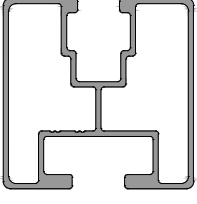
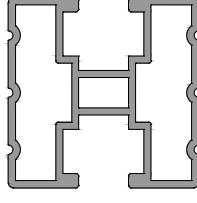
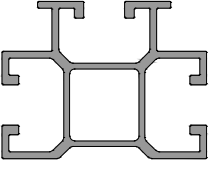
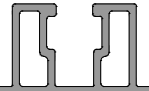
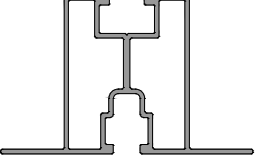
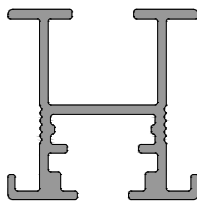
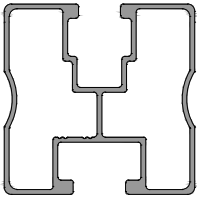
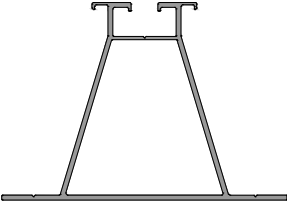
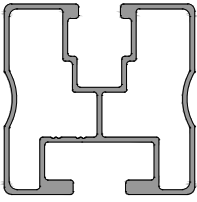

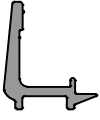


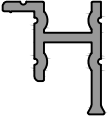

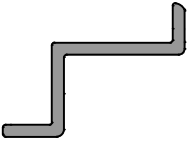
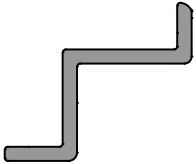




PROFİL VE AKSESUAR LİSTESİ
PROFILE & ACCESSORIES LIST

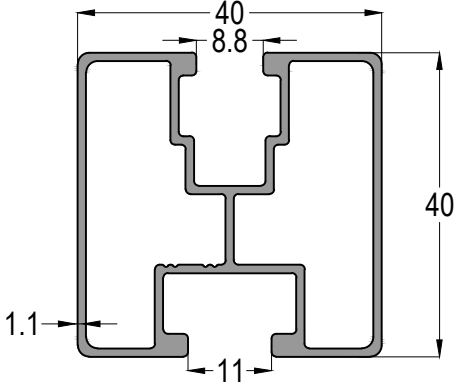
	RAIL PROFILE			RAIL PROFILE	
	Profile No	1165		Profile No	2045
	Alloy	6060		Alloy	6060
	Weight	0,755 kg/mt		Weight	1,076 kg/mt
	RAIL PROFILE			RAIL PROFILE	
	Profile No	1301		Profile No	2046
	Alloy	6060		Alloy	6060
	Weight	0,797 kg/mt		Weight	1,045 kg/mt
	RAIL PROFILE			RAIL PROFILE	
	Profile No	1671		Profile No	2099
	Alloy	6060		Alloy	6060
	Weight	0,748 kg/mt		Weight	0,795 kg/mt
	RAIL PROFILE			RAIL PROFILE	
	Profile No	1857		Profile No	1867
	Alloy	6060		Alloy	6060
	Weight	1,238 kg/mt		Weight	0,902 kg/mt
	RAIL PROFILE			RAIL PROFILE	
	Profile No	2122		Profile No	1975
	Alloy	6060		Alloy	6060
	Weight	0,700 kg/mt		Weight	1,002 kg/mt
	RAIL PROFILE			CROSS CONNECTOR	
	Profile No	2123		Profile No	1866
	Alloy	6060		Alloy	6060
	Weight	0,743 kg/mt		Weight	0,637 kg/mt

	PANEL HOLDER			GUIDE JOINT	
	Profile No	1913		Profile No	06-046025-25
	Alloy	6060		Alloy	6060
	Weight	0,569 kg/mt		Weight	0,618 kg/mt
	PANEL HOLDER				
	Profile No	1911			
	Alloy	6060			
	Weight	0,461 kg/mt			
	PANEL HOLDER				
	Profile No	2047			
	Alloy	6060			
	Weight	0,722 kg/mt			
	PANEL HOLDER				
	Profile No	2048			
	Alloy	6060			
	Weight	0,695 kg/mt			
	PANEL HOLDER				
	Profile No	2100			
	Alloy	6060			
	Weight	0,423 kg/mt			
	PANEL HOLDER				
	Profile No	2101			
	Alloy	6060			
	Weight	0,388 kg/mt			

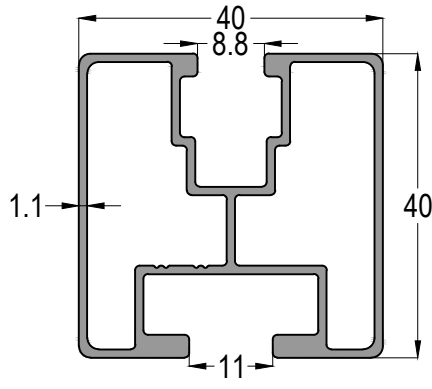
PROFİL LİSTESİ - PROFILES LIST

	ROOF HOOK STANDARD			
	Package	Piece		
	PANTILE ROOF HOOK ADJUSTABLE VARIO			
	Package	Piece		

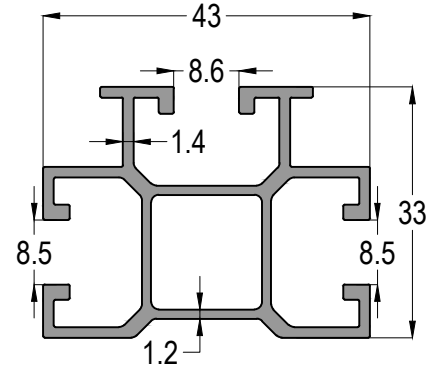
PROFİL DETAYLARI
PROFILE DETAILS



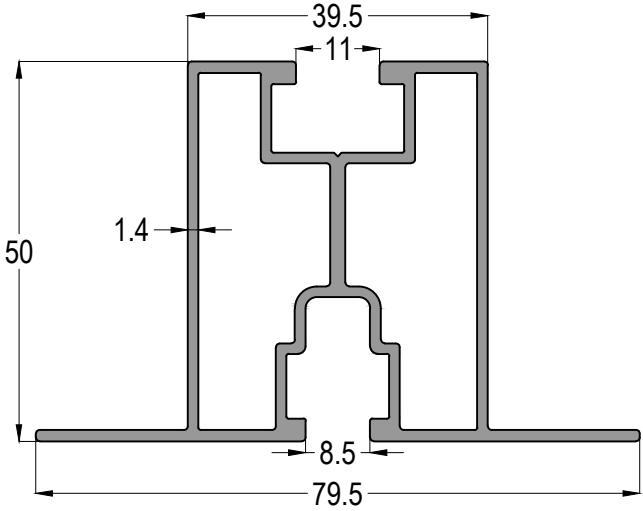
1165
AĞIRLIK / Weight
0,755 kg/mt



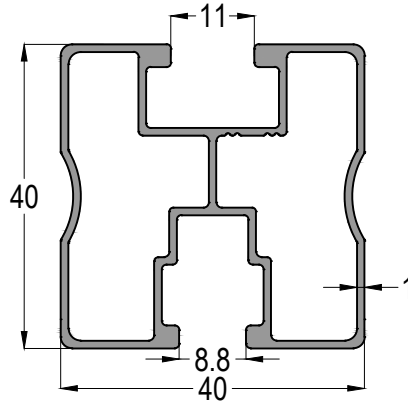
1301
AĞIRLIK / Weight
0,797 kg/mt



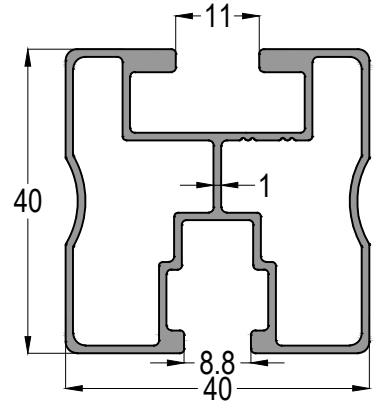
1671
AĞIRLIK / Weight
0,748 kg/mt



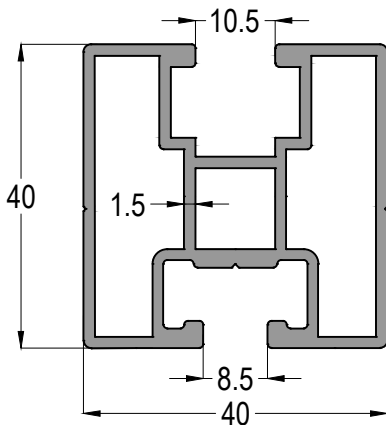
1857
AĞIRLIK / Weight
1,238 kg/mt



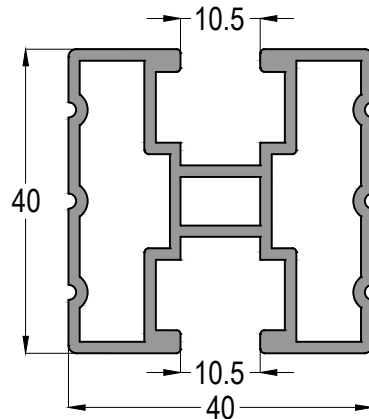
2122
AĞIRLIK / Weight
0,700 kg/mt



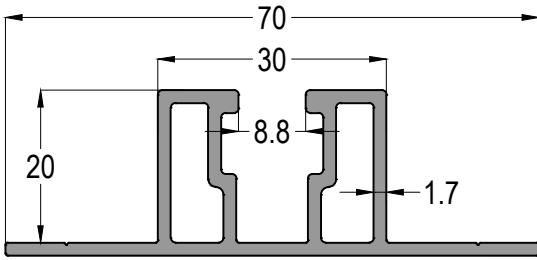
2123
AĞIRLIK / Weight
0,743 kg/mt



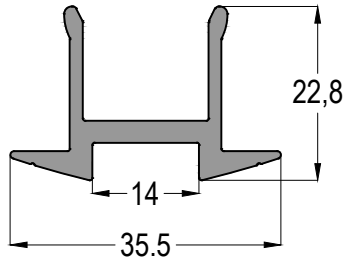
2045
AĞIRLIK / Weight
1,076 kg/mt



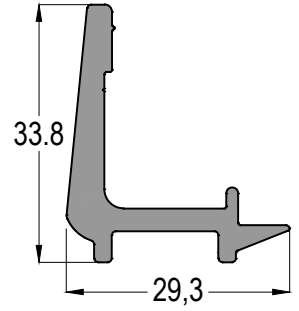
2046
AĞIRLIK / Weight
1,045 kg/mt



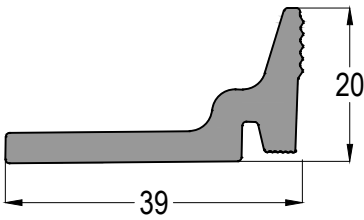
2099
AĞIRLIK / Weight
0,795 kg/mt



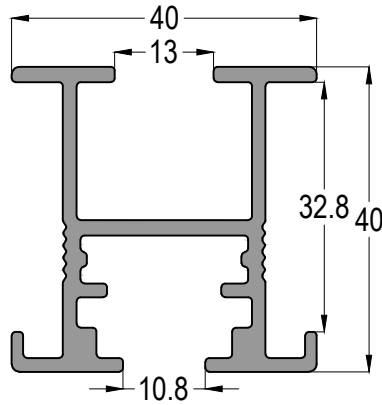
1911
AĞIRLIK / Weight
0,461 kg/mt



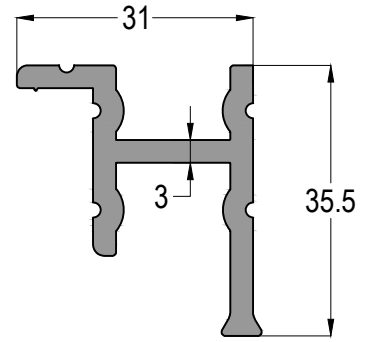
1913
AĞIRLIK / Weight
0,569 kg/mt



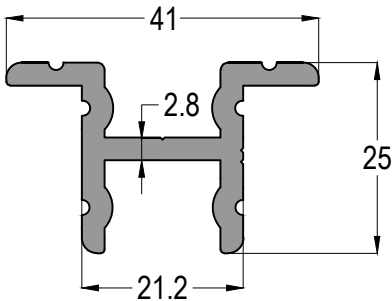
1866
AĞIRLIK / Weight
0,637 kg/mt



1867
AĞIRLIK / Weight
0,902 kg/mt

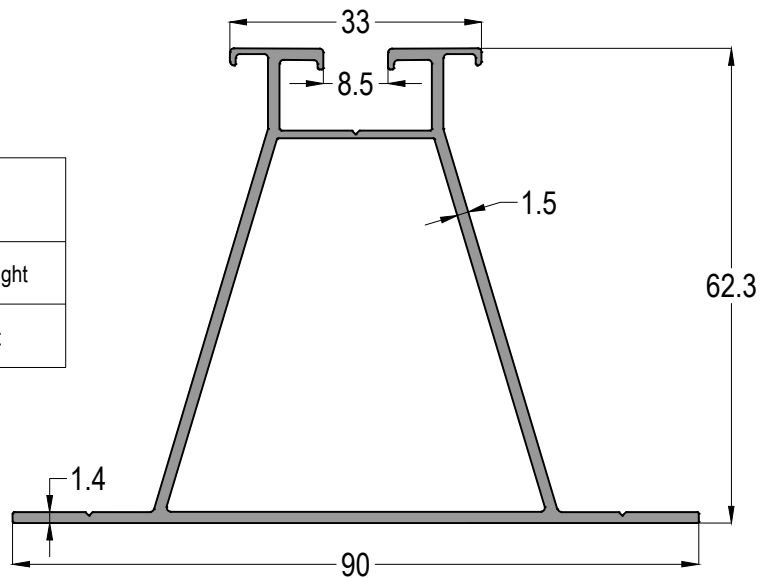


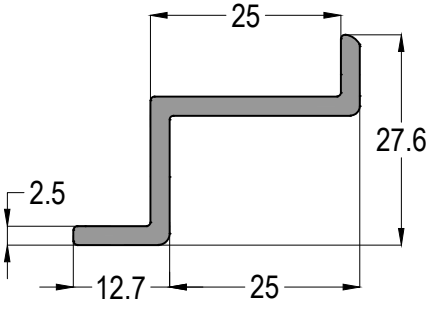
2047
AĞIRLIK / Weight
0,722 kg/mt



2048
AĞIRLIK / Weight
0,695 kg/mt

1975
AĞIRLIK / Weight
1,002 kg/mt

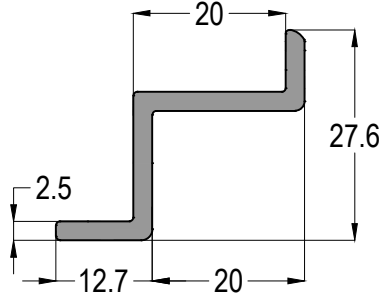




2100

AĞIRLIK / Weight

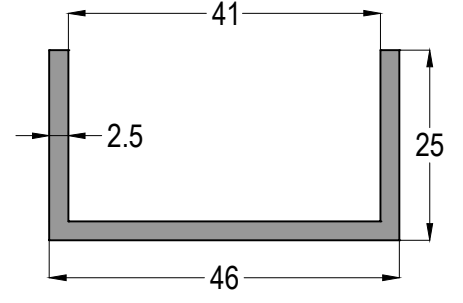
0,423 kg/mt



2101

AĞIRLIK / Weight

0,388 kg/mt



06-046025-25

AĞIRLIK / Weight

0,618 kg/mt

SİSTEM DETAYI
SYSTEM DETAIL

