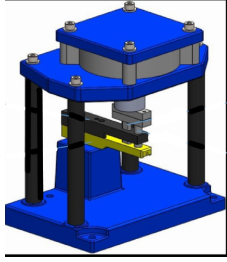


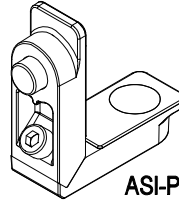
**KESİM VE MONTAJ**  
***CUTTING & ASSEMBLY***

# FDT62

YALITIMLI KATLANIR KAPI SİSTEMİ  
THERMAL FOLDING DOOR SYSTEM

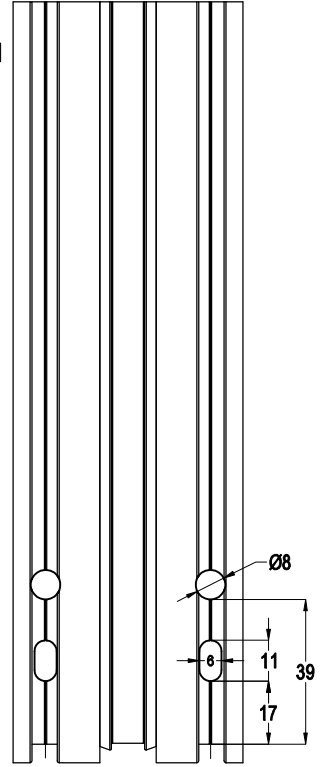


PNC-FDT62

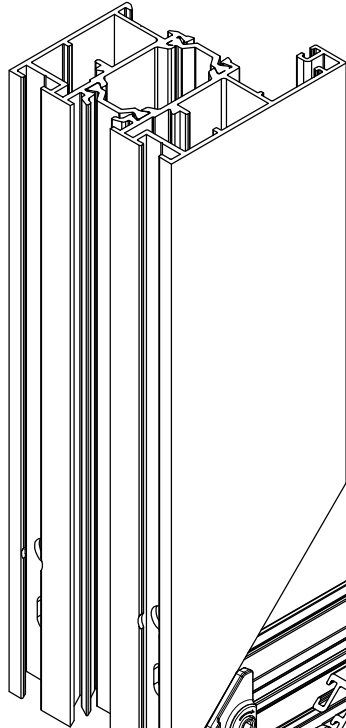


ASI-PB 1214

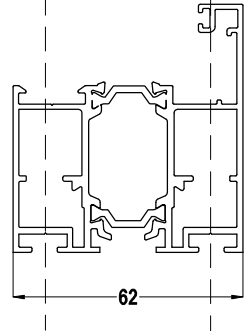
FDT62 11



FDT62 11

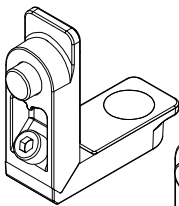


FDT62 11

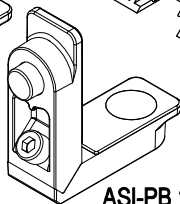


FDT62 11

ASI-PB 1214

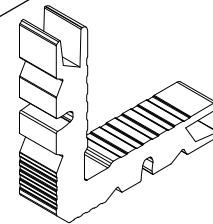


ASI-FUJI 2000



ASI-PB 1214

veya / or

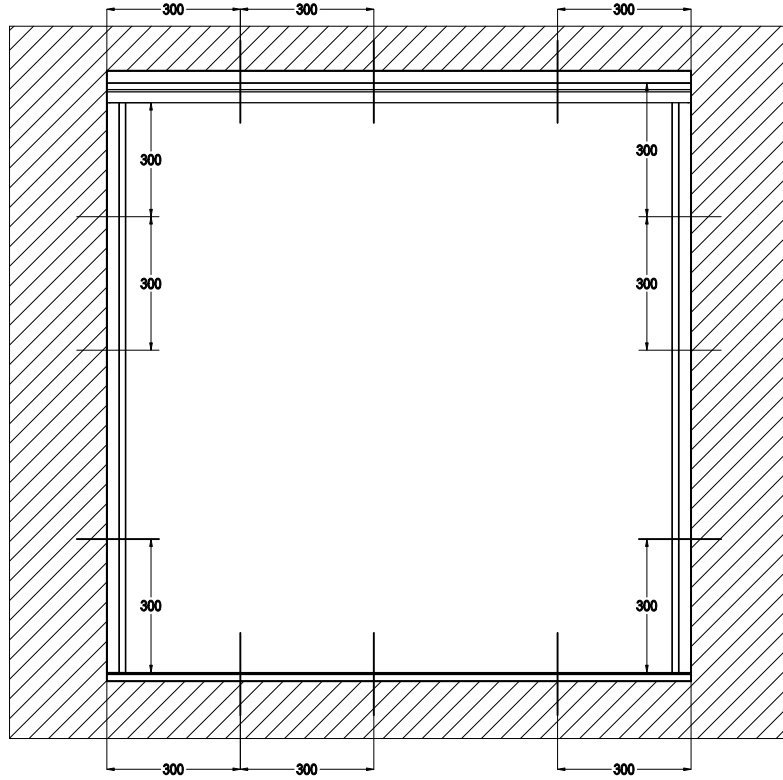


ASI-KT 1214

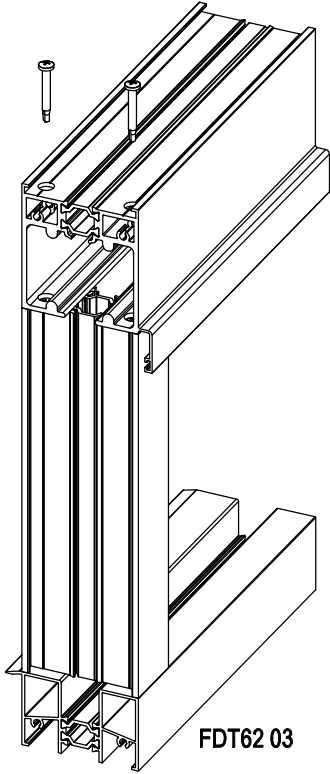
# FDT62

YALITIMLI KATLANIR KAPI SİSTEMİ  
THERMAL FOLDING DOOR SYSTEM

ASISTAL



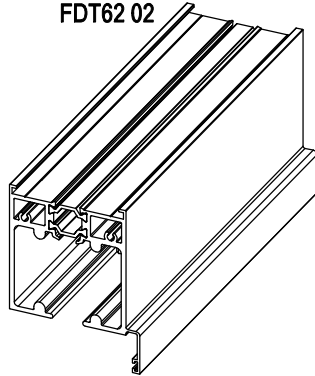
FDT62 02



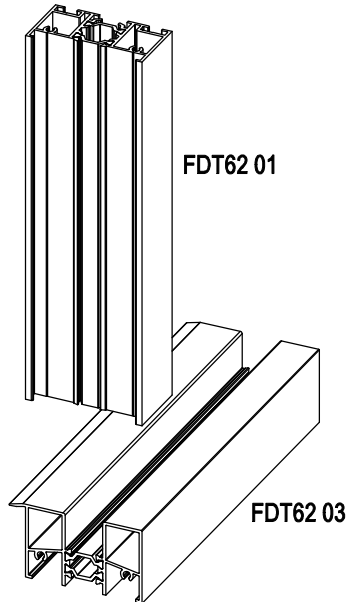
FDT62 01

FDT62 03

FDT62 02

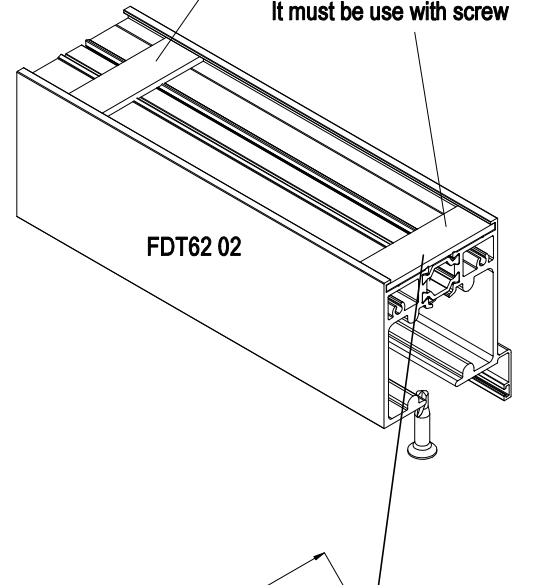


FDT62 01



FDT62 03

FDA-M 01  
VİDA ATILACAK YERLERE  
KULLANILMALI  
It must be use with screw



FDT62 02

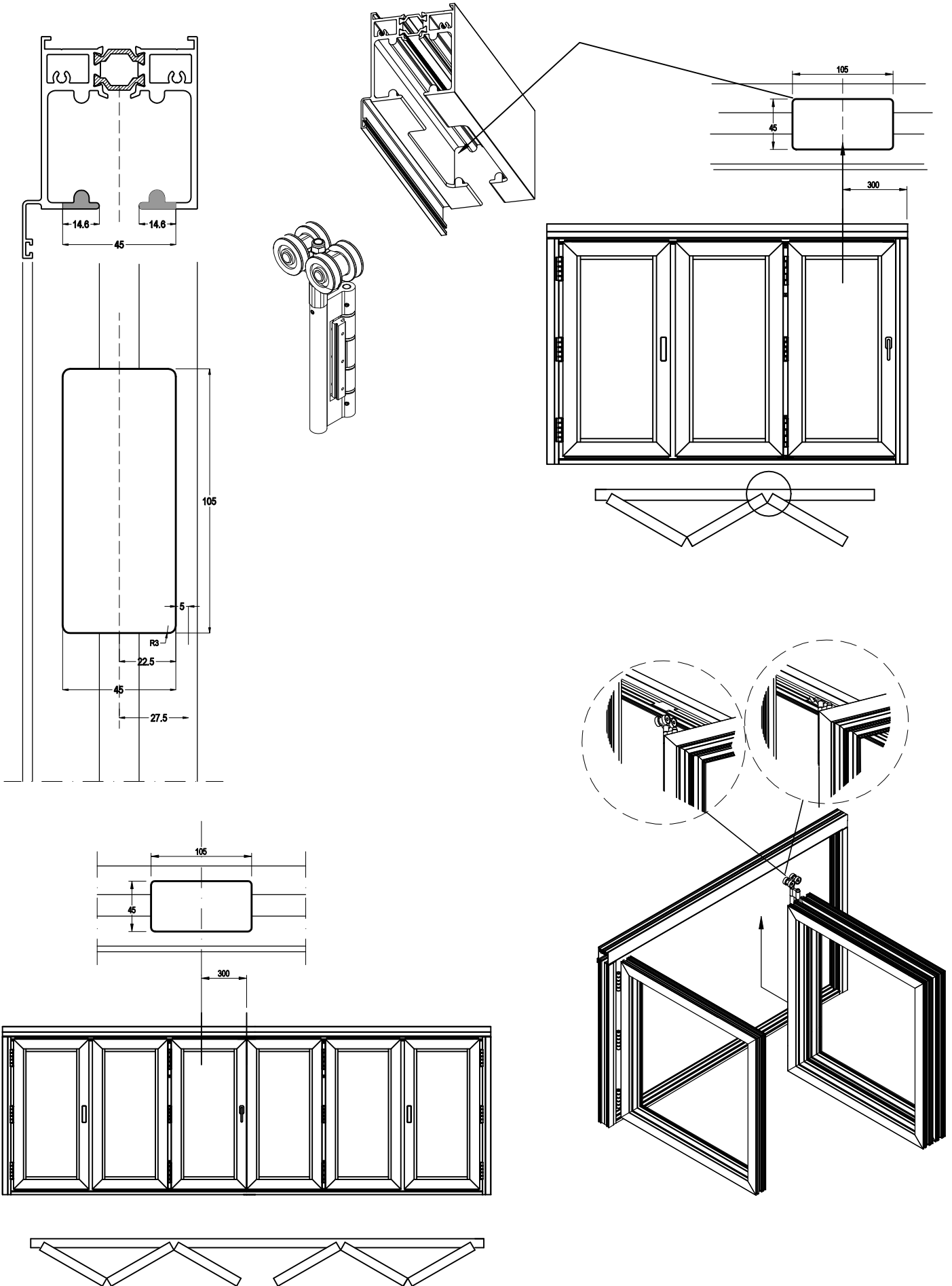
59

3

FDA-M 01  
alüminyum montaj laması

# FDT62

YALITIMLI KATLANIR KAPI SİSTEMİ  
THERMAL FOLDING DOOR SYSTEM



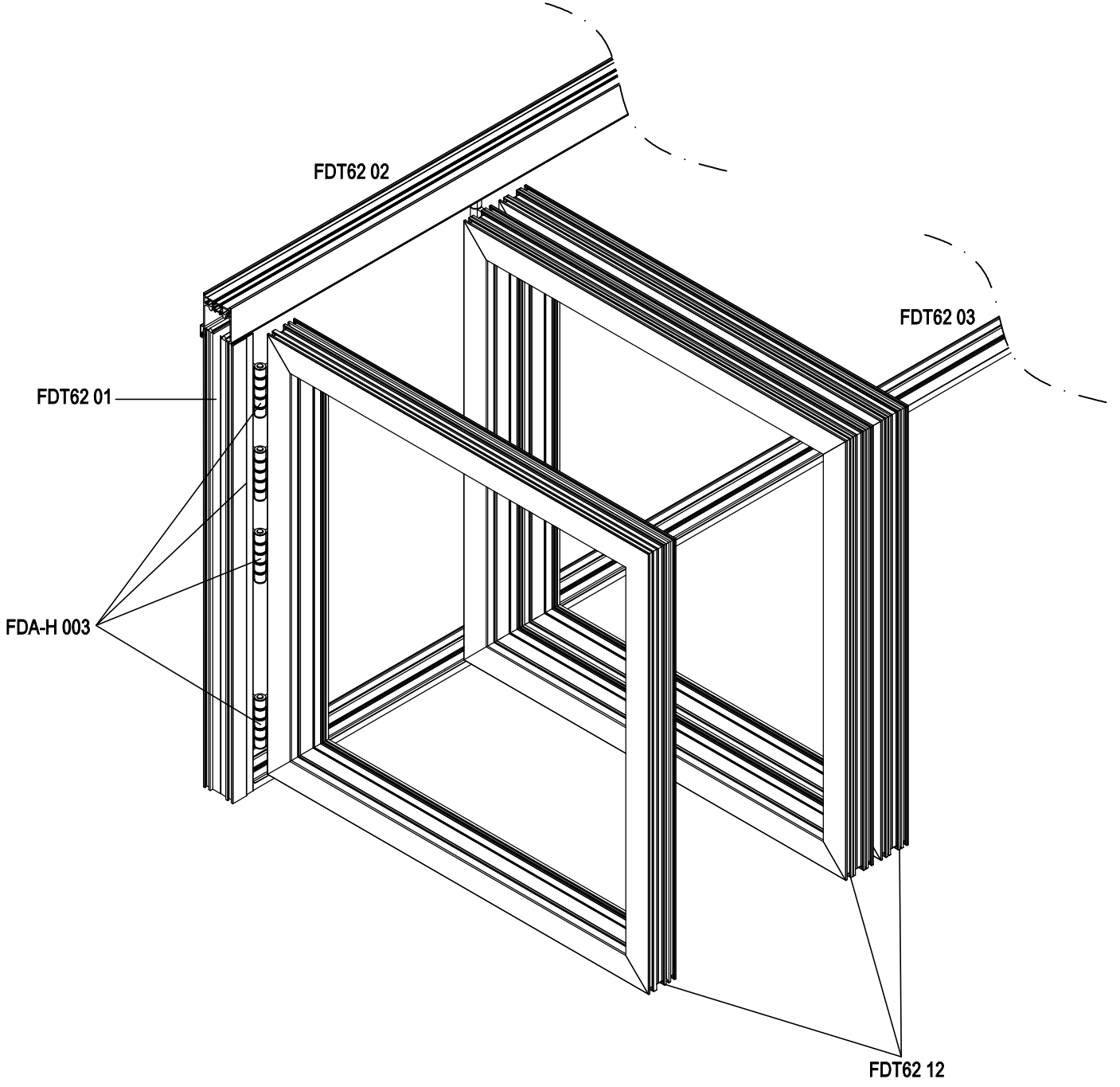
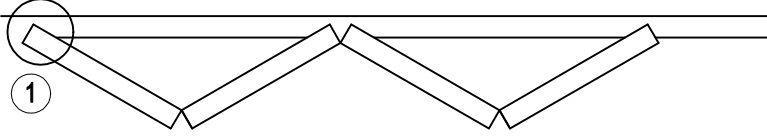


# FDT62

YALITIMLI KATLANIR KAPI SİSTEMİ  
THERMAL FOLDING DOOR SYSTEM



1

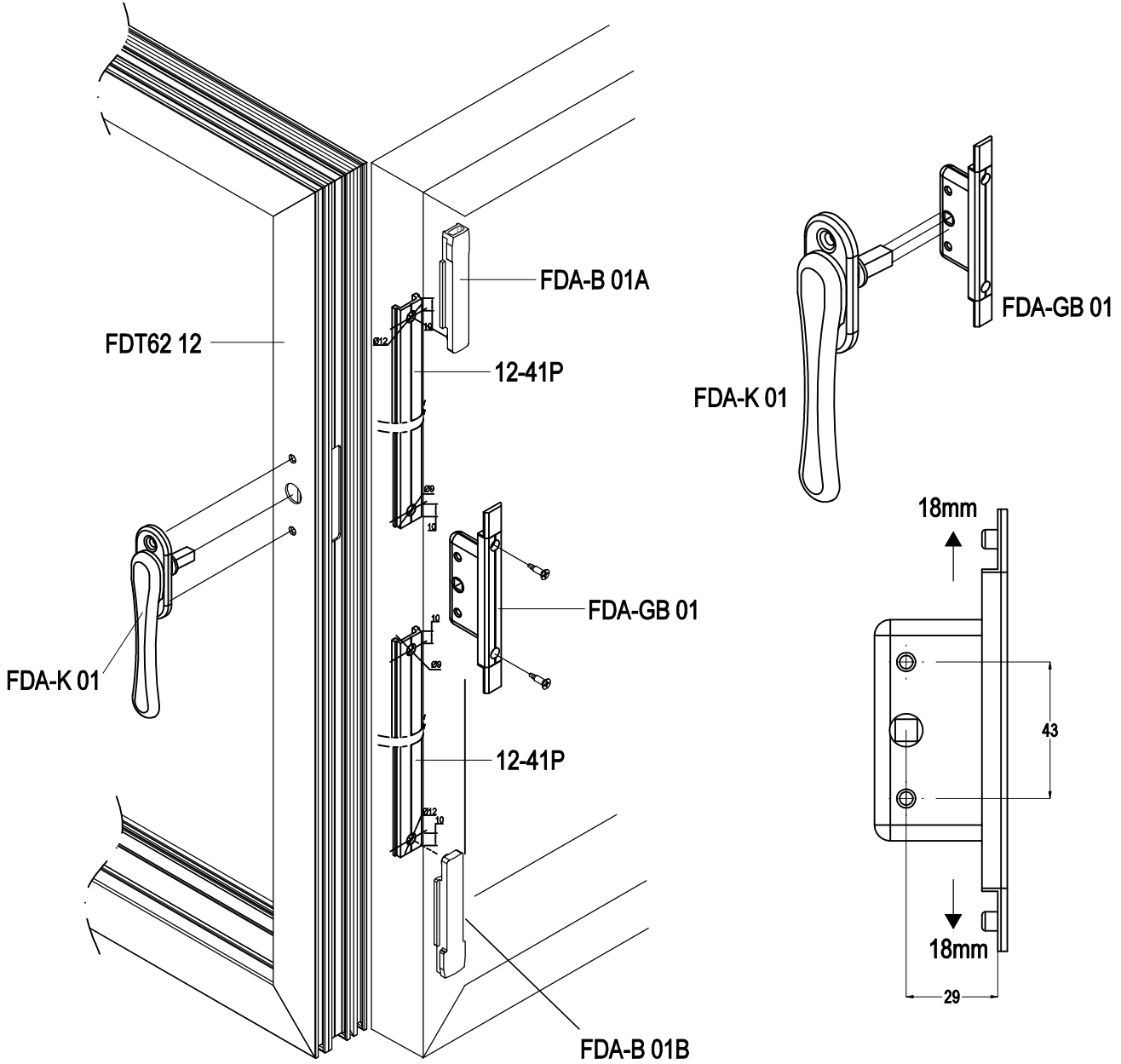
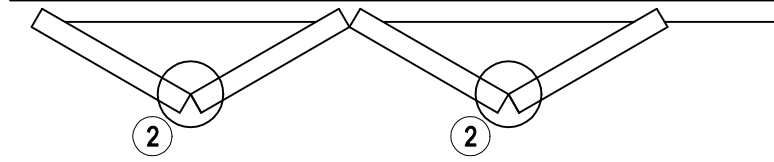


# FDT62

YALITIMLI KATLANIR KAPI SİSTEMİ  
THERMAL FOLDING DOOR SYSTEM



2



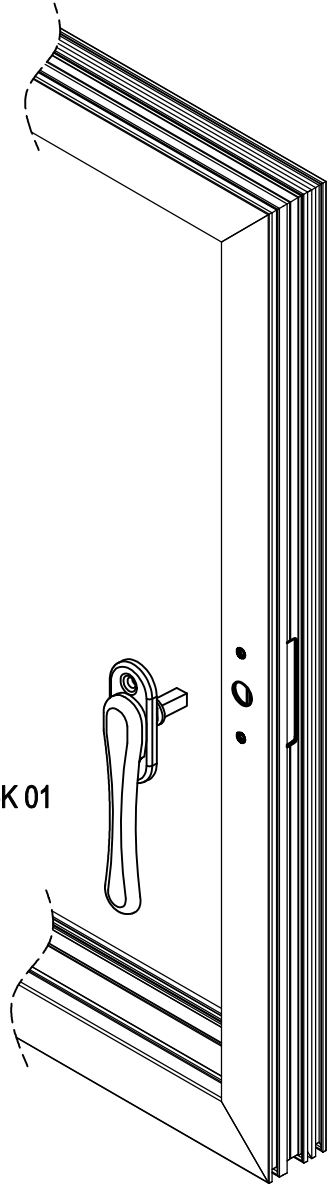
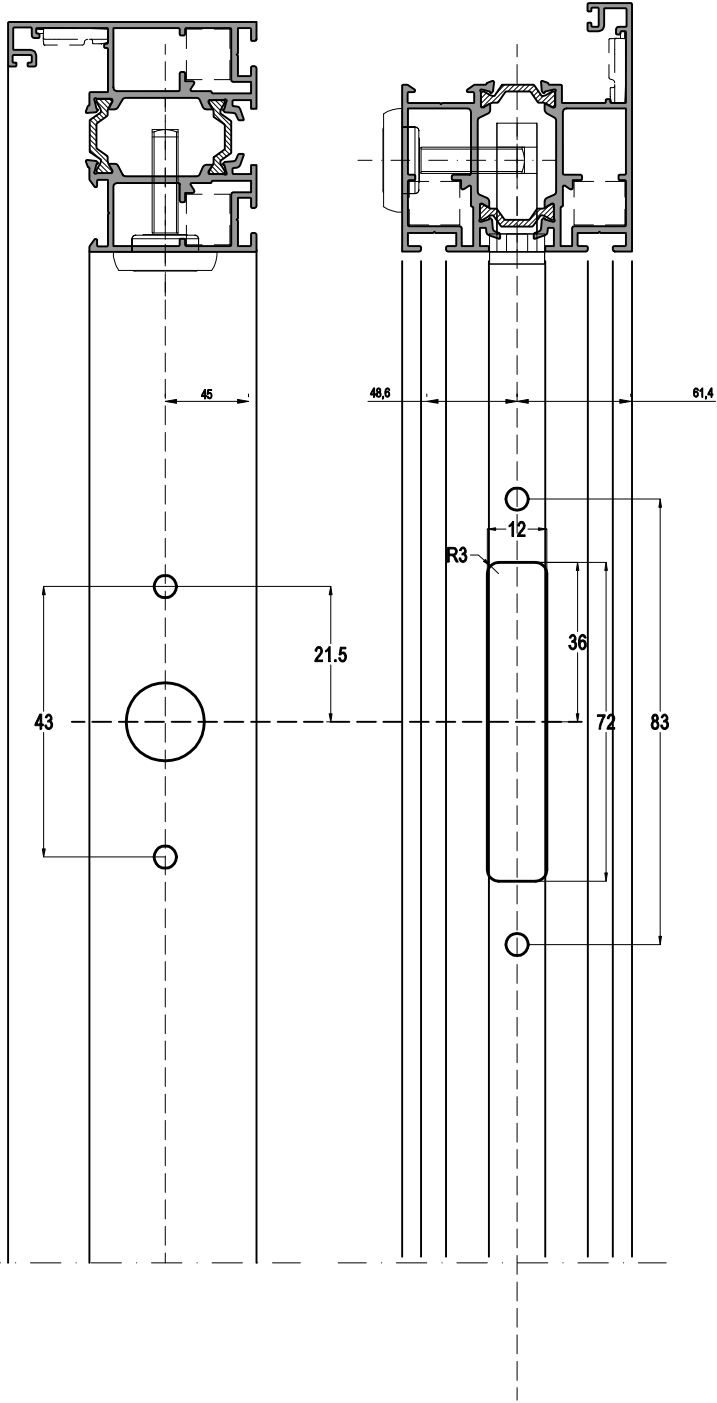
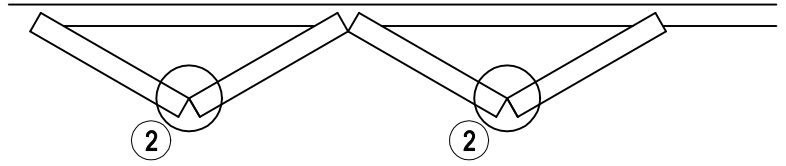


# FDT62

YALITIMLI KATLANIR KAPI SİSTEMİ  
THERMAL FOLDING DOOR SYSTEM

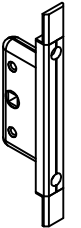


2



FDA-K 01

FDA-GB 01

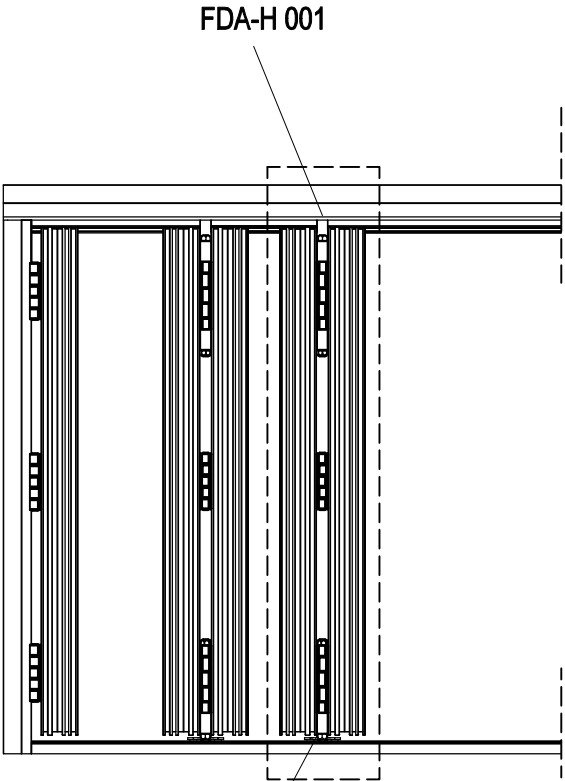
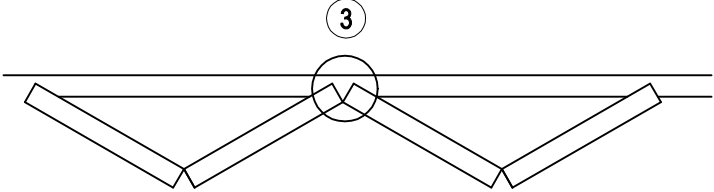


# FDT62

YALITIMLI KATLANIR KAPI SİSTEMİ  
THERMAL FOLDING DOOR SYSTEM



3



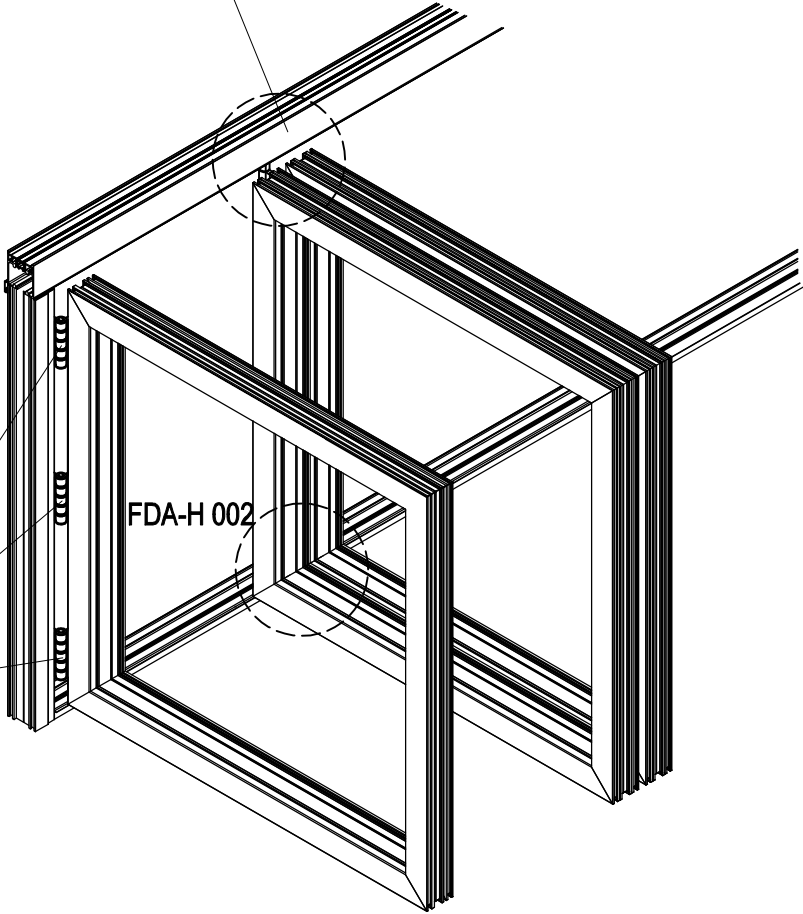
FDA-H 001

FDA-H 002

FDA-H 001

FDA-H 002

FDA-H 003

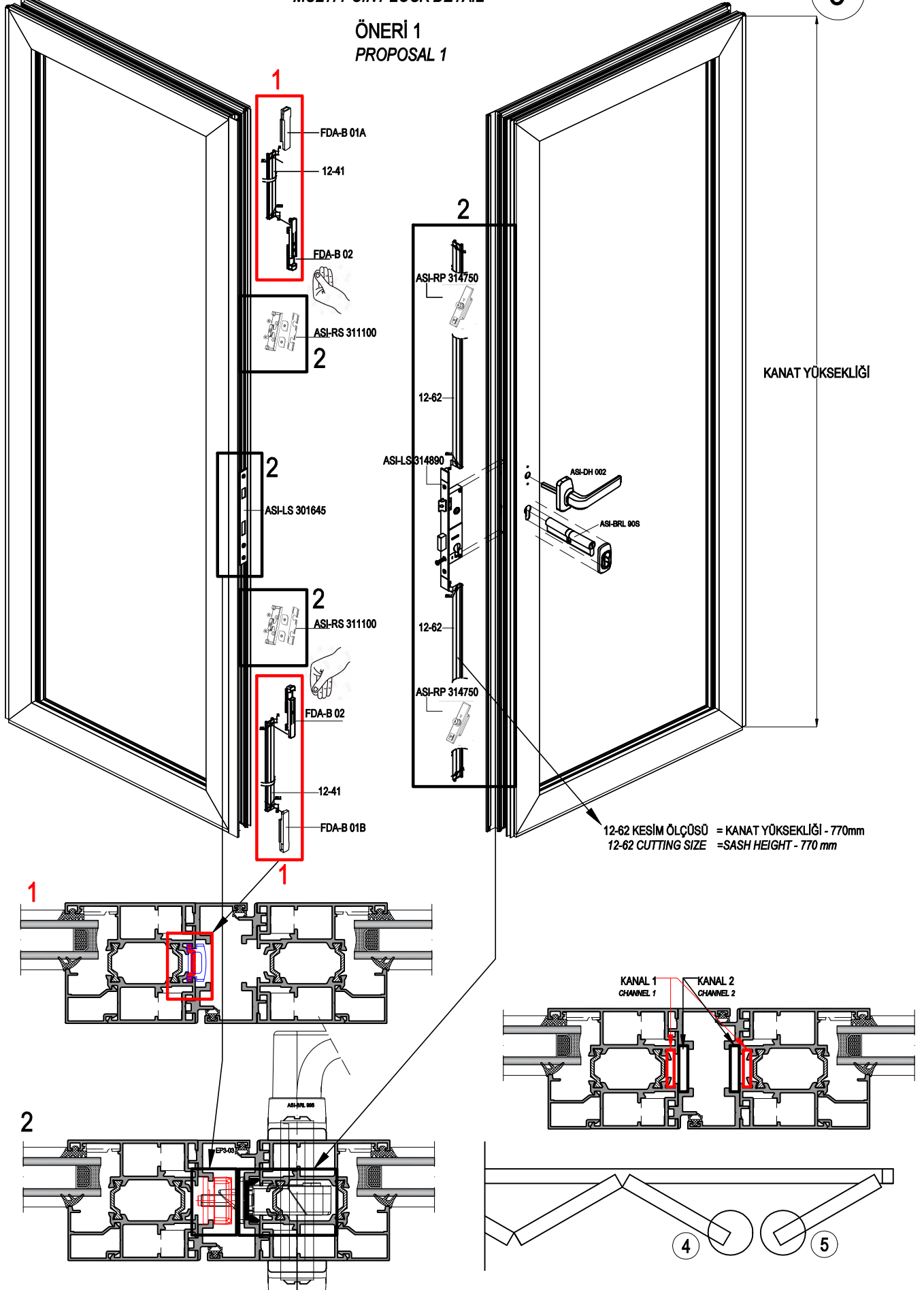


4

### İSPANYOLET KİLİTLEME DETAYI MULTI POINT LOCK DETAIL

#### ÖNERİ 1 PROPOSAL 1

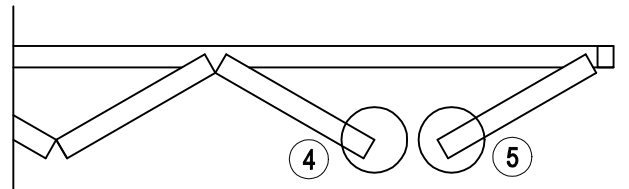
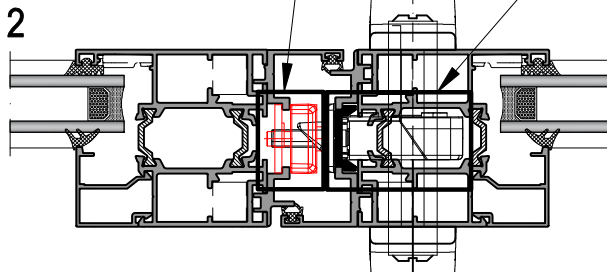
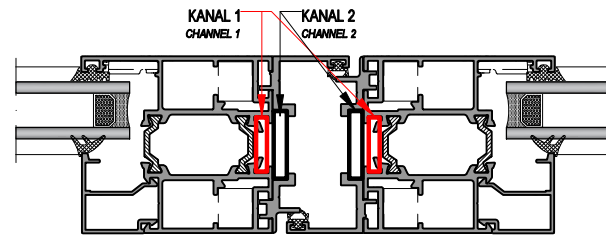
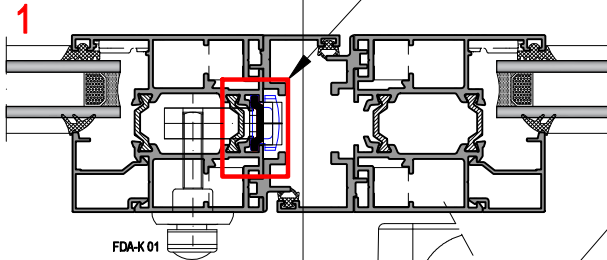
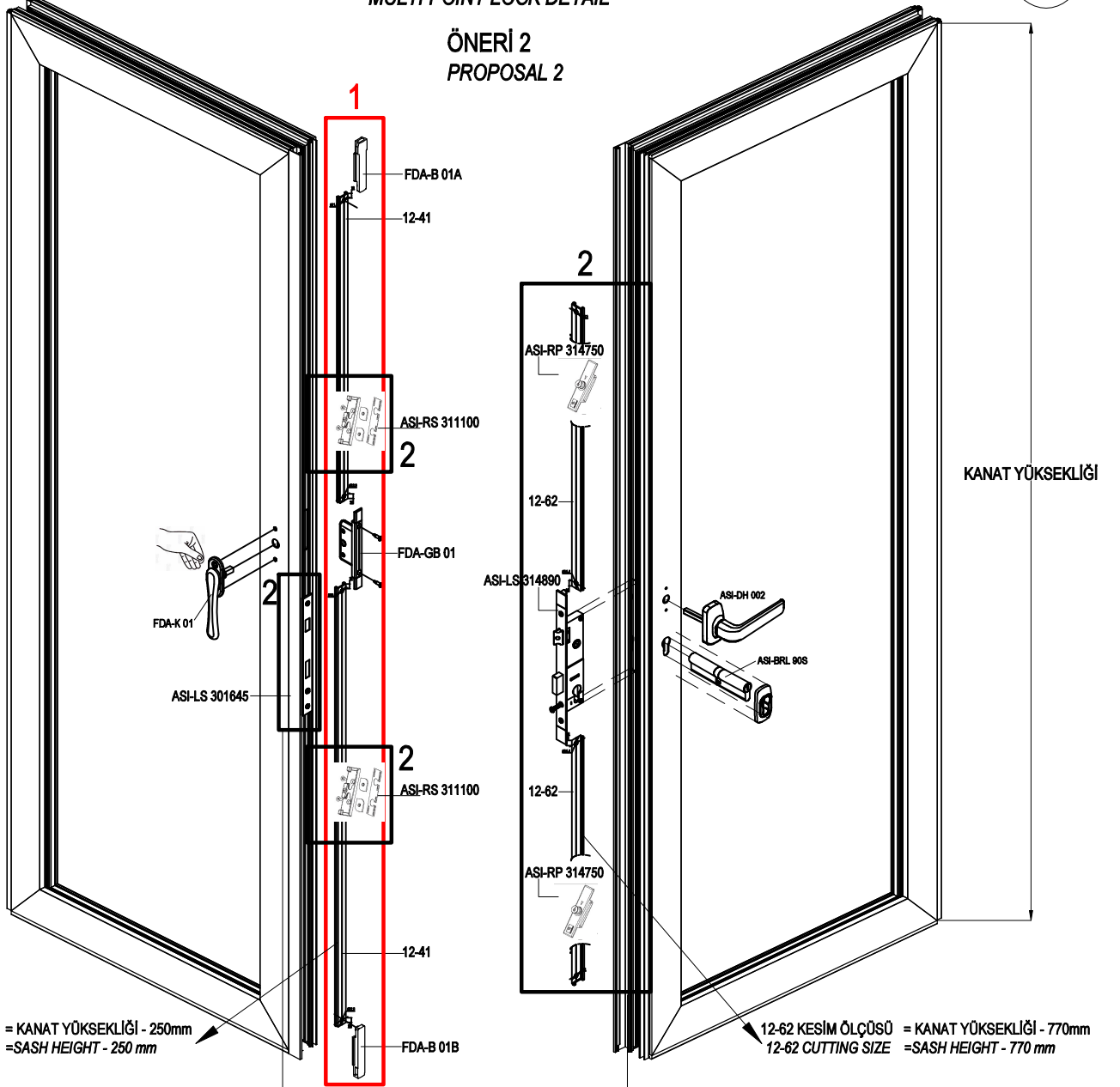
5



4

İSPANYOLET KİLİTLEME DETAYI  
MULTI POINT LOCK DETAIL

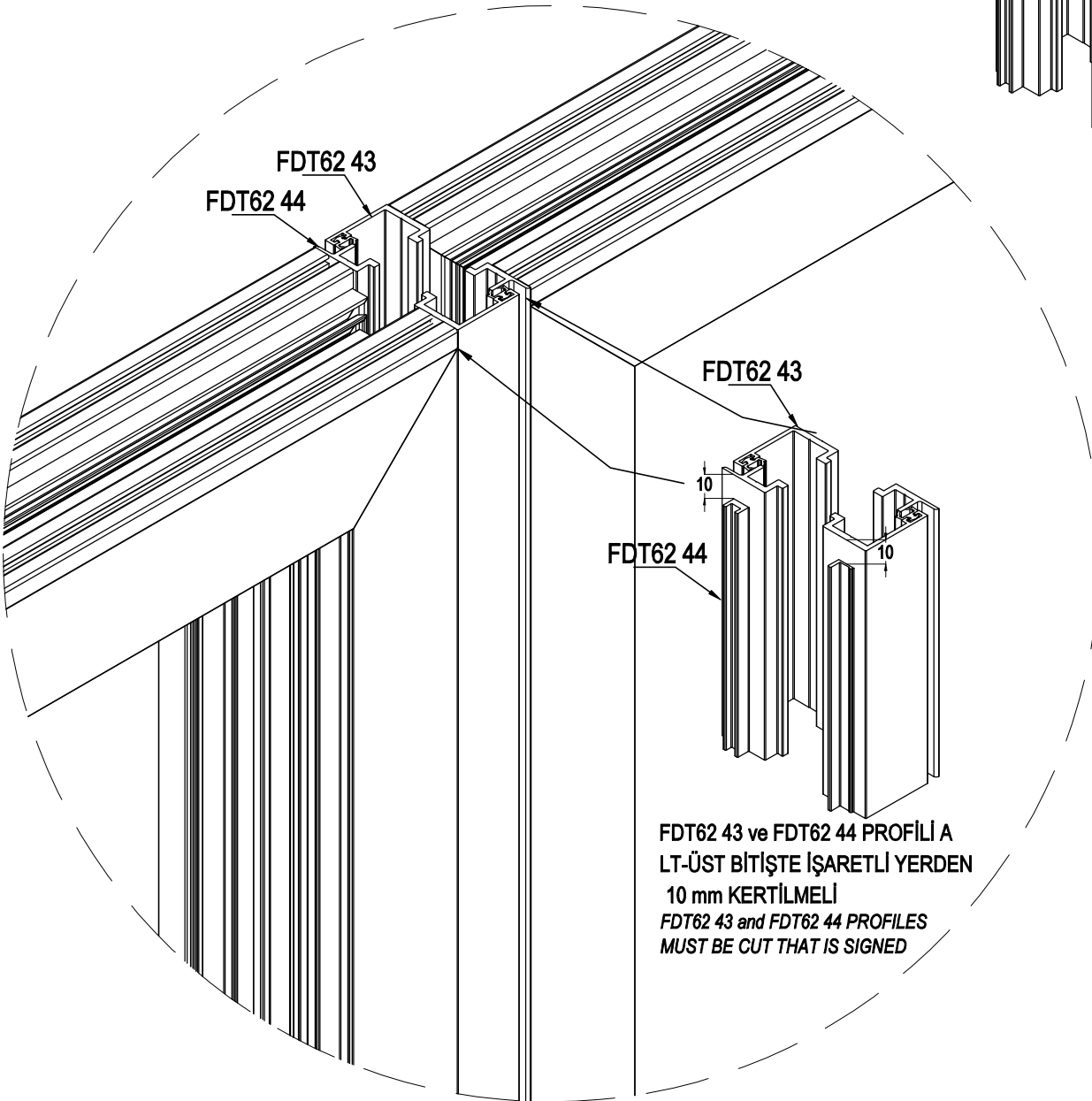
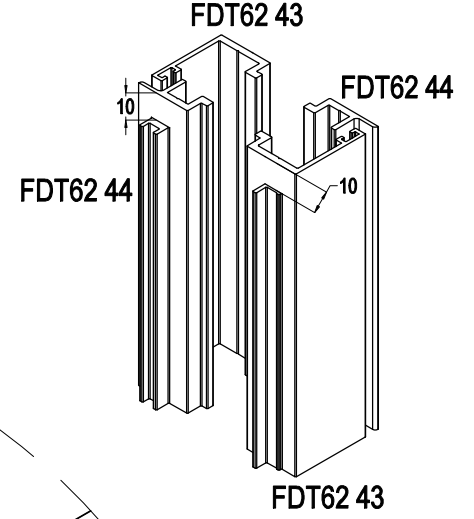
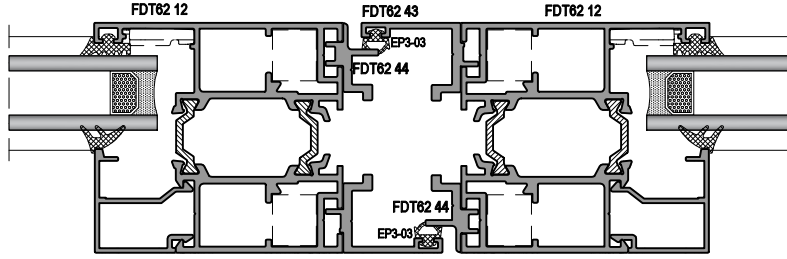
5

ÖNERİ 2  
PROPOSAL 2

# FDT62

YALITIMLI KATLANIR KAPI SİSTEMİ  
THERMAL FOLDING DOOR SYSTEM

ASISTAL



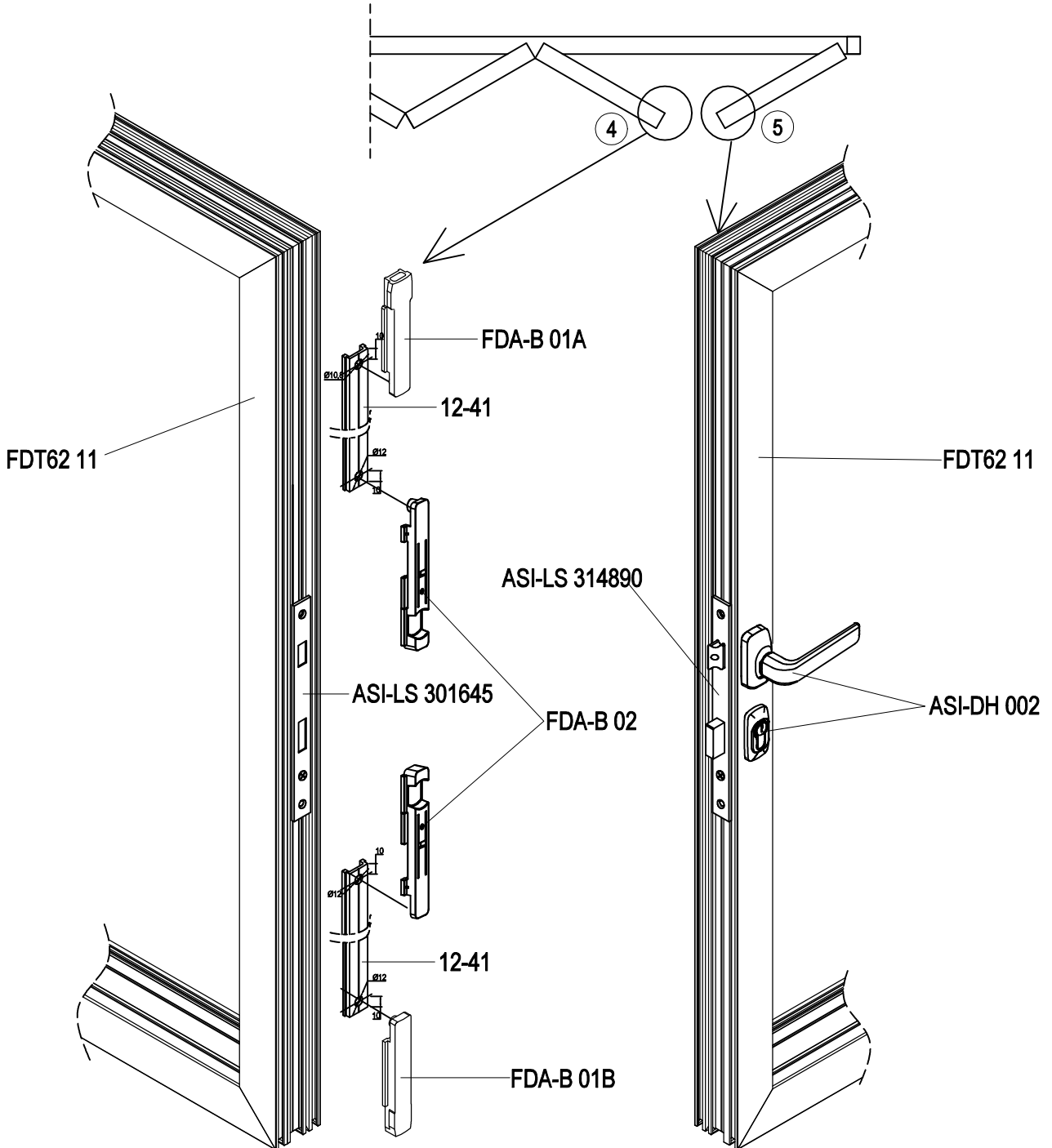
FDT62 43 ve FDT62 44 PROFİLİ A  
LT-ÜST BİTİŞTE İŞARETLİ YERDEN  
10 mm KERTİLMELİ  
FDT62 43 and FDT62 44 PROFILES  
MUST BE CUT THAT IS SIGNED



**TEK NOKTADAN KİLİTLEME DETAYI-STANDART DİLLİ KİLİT UYGULAMASI**  
SINGLE POINT LOCK DETAIL - STANDART MORTISE LOCK

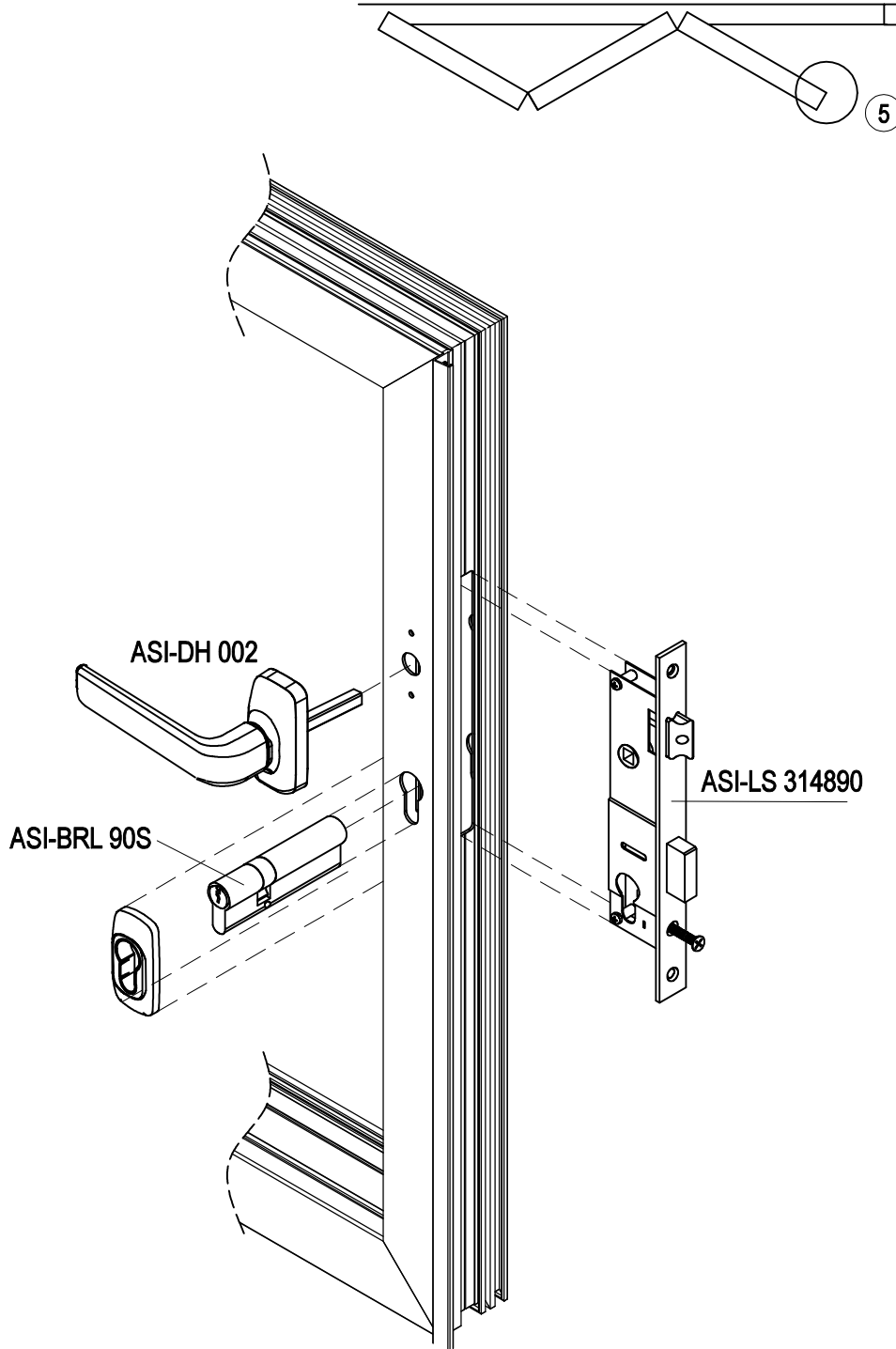
4

5



**TEK NOKTADAN KİLİTLEME DETAYI-STANDART DİLLİ KİLİT UYGULAMASI**  
SINGLE POINT LOCK DETAIL - STANDART MORTISE LOCK

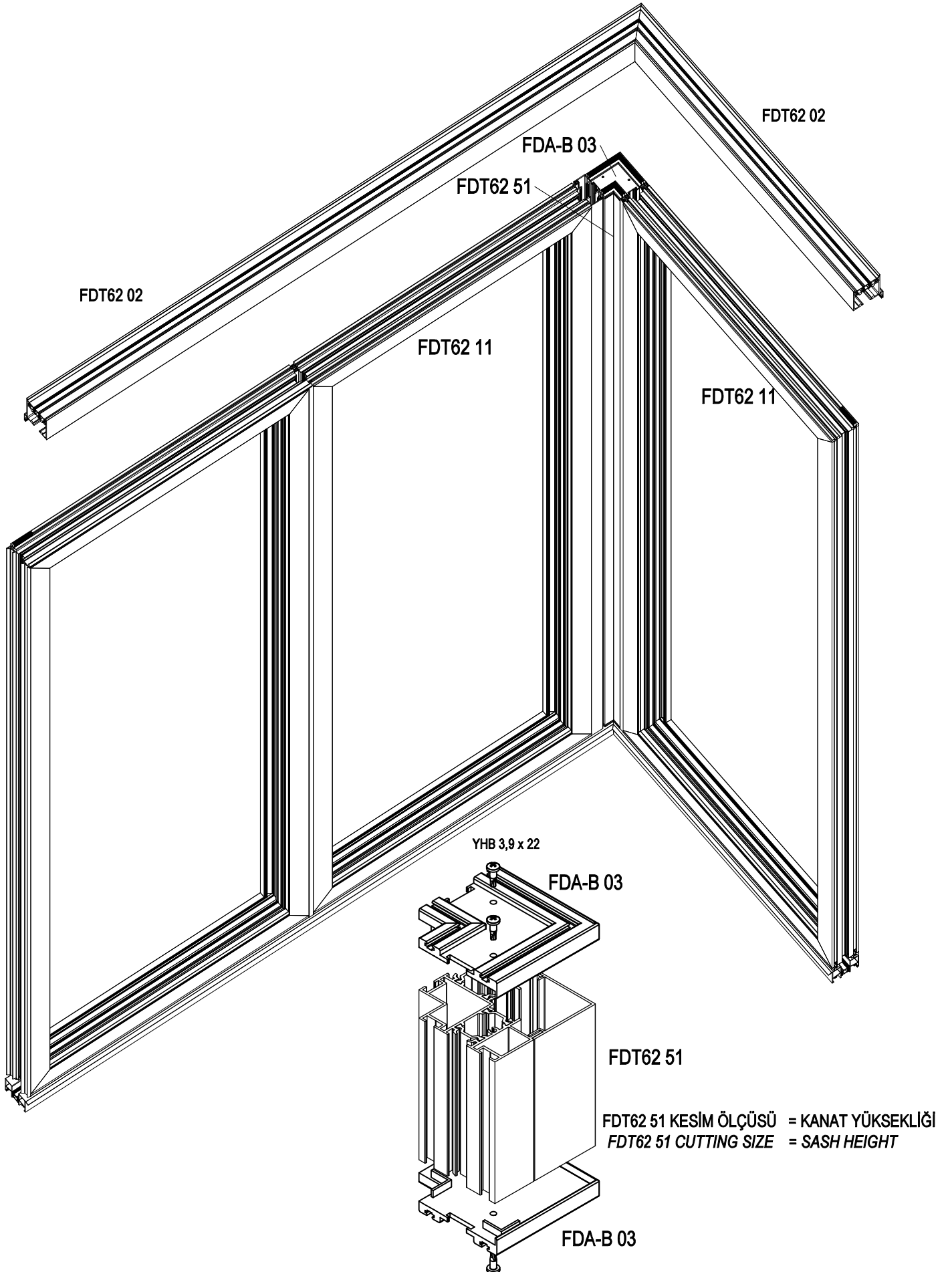
5



# FDT62

YALITIMLI KATLANIR KAPI SİSTEMİ  
THERMAL FOLDING DOOR SYSTEM

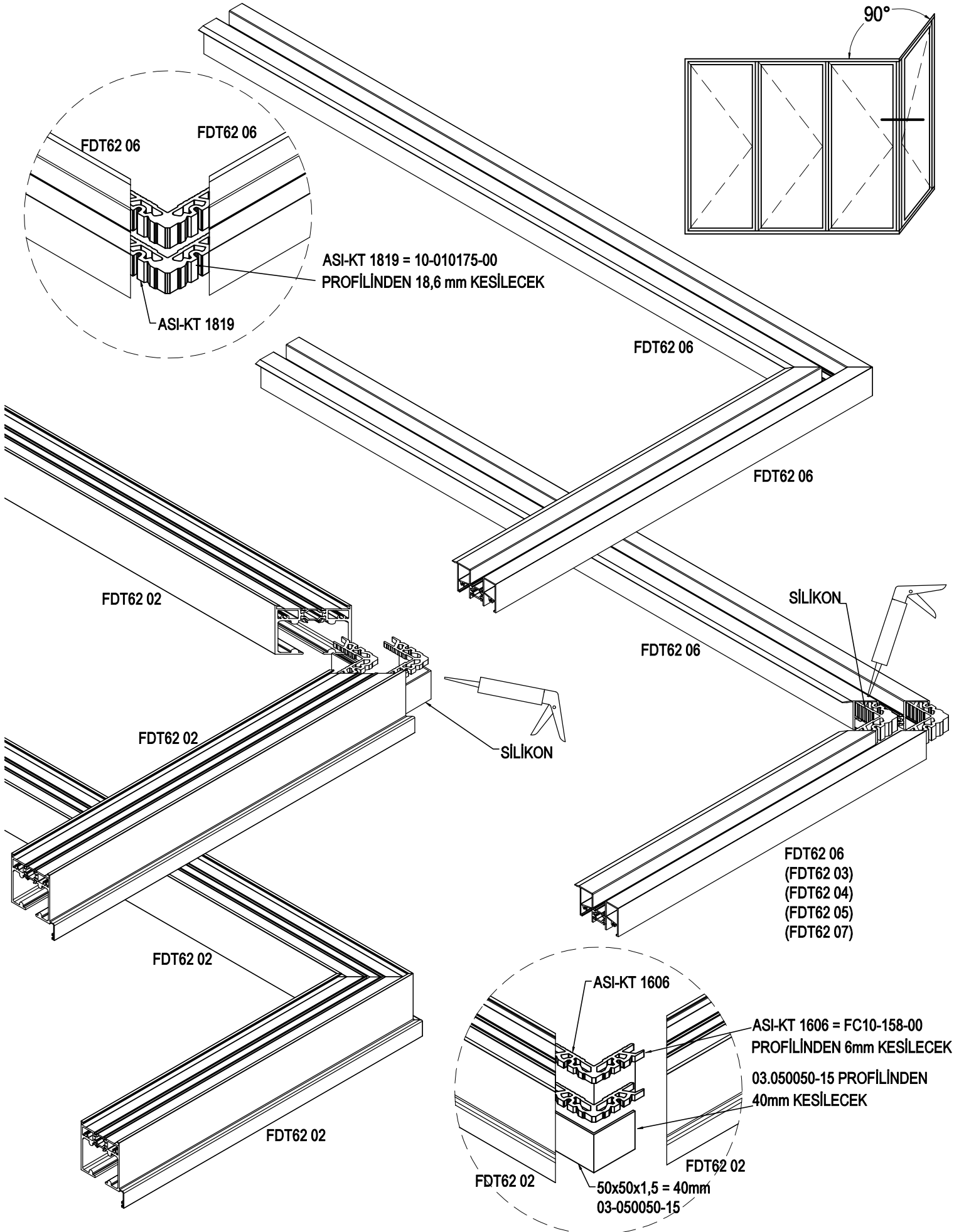
ASISTAL



# FDT62

YALITIMLI KATLANIR KAPI SİSTEMİ  
THERMAL FOLDING DOOR SYSTEM

ASISTAL



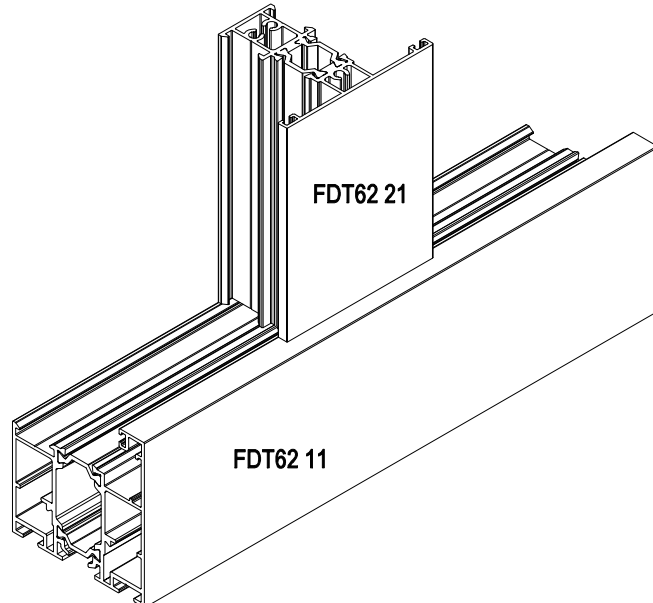
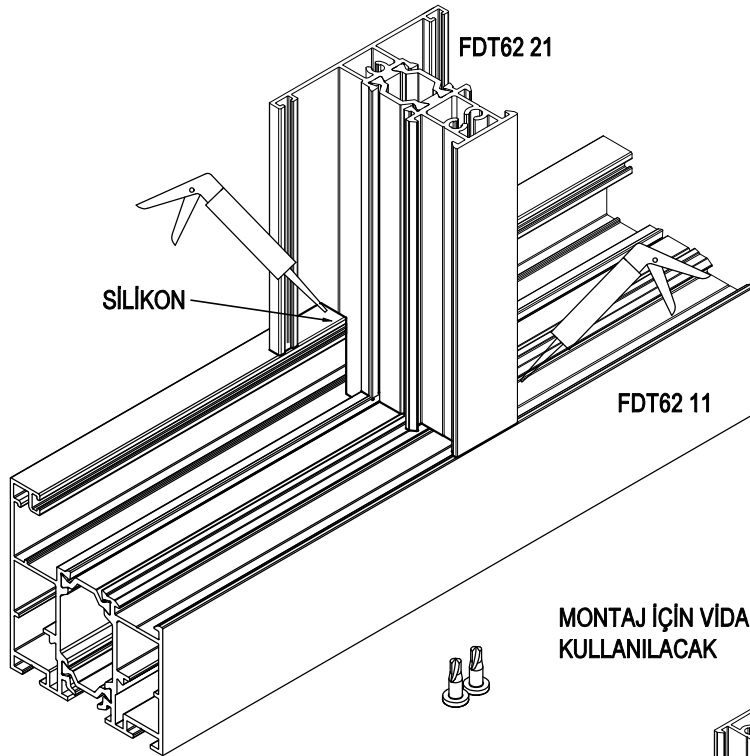
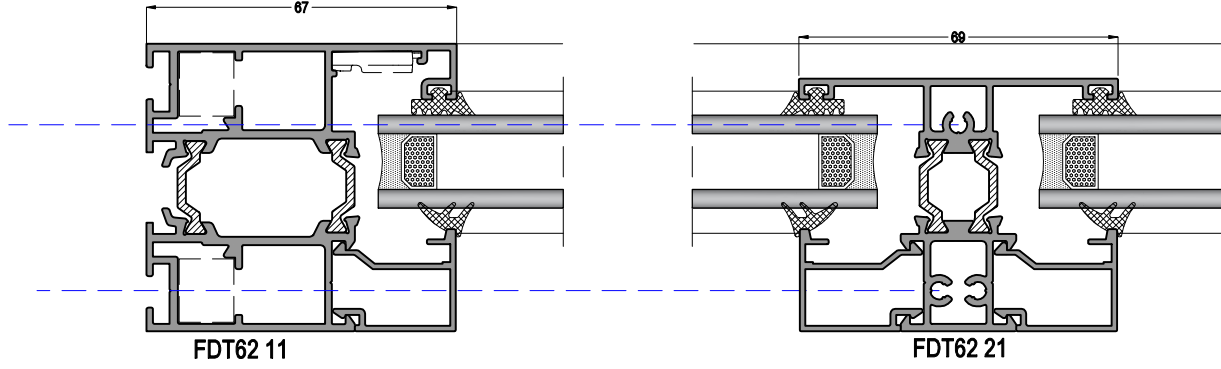
# FDT62

YALITIMLI KATLANIR KAPI SİSTEMİ  
THERMAL FOLDING DOOR SYSTEM

**ASISTAL**

KANAT İÇİ ORTA KAYIT MONTAJI : FDT62 11 + FDT62 21

TRANSOM / MULLION PROFILE ASSEMBLY INSIDE THE SASH: FDT62 + FDT62 21



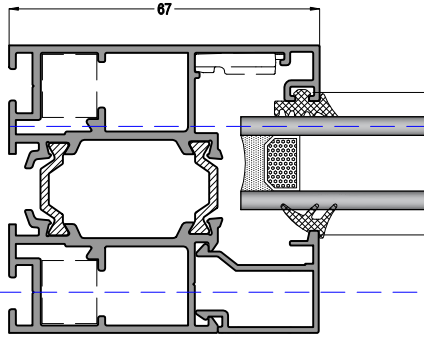
# FDT62

YALITIMLI KATLANIR KAPI SİSTEMİ  
THERMAL FOLDING DOOR SYSTEM

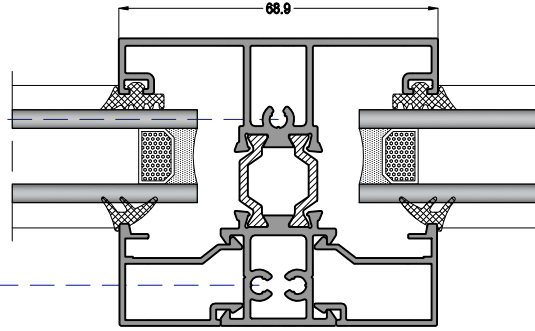
ASISTAL

KANAT İÇİ ORTA KAYIT MONTAJI : FDT62 11 + FDT62 22

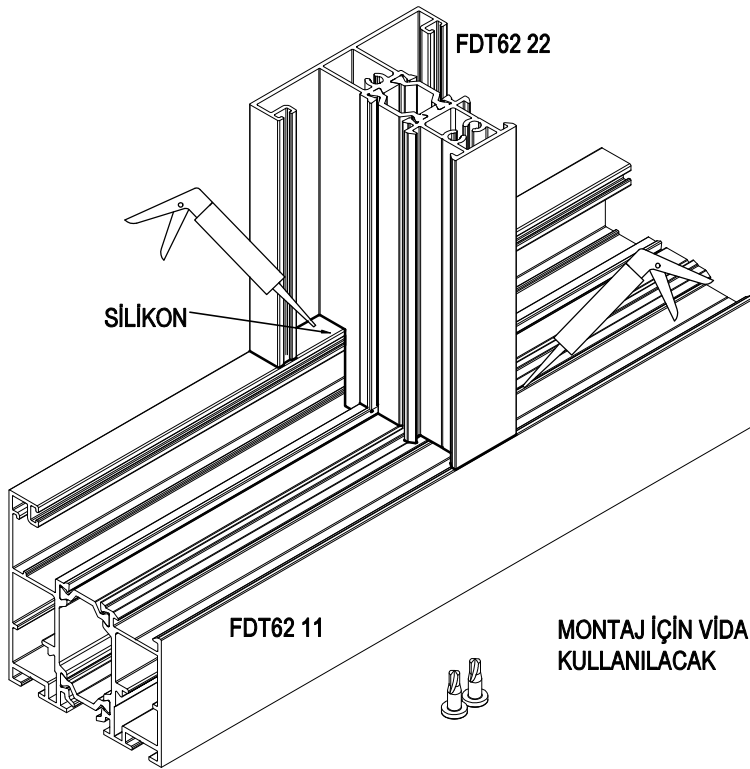
TRANSOM / MULLION PROFILE ASSEMBLY INSIDE THE SASH: FDT62 11 + FDT62 22



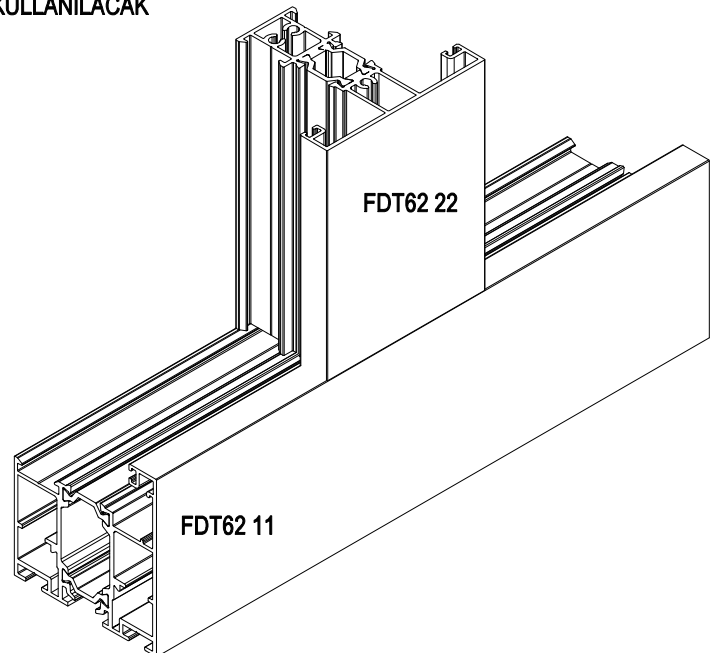
FDT62 11



FDT62 22



MONTAJ İÇİN VİDA  
KULLANILACAK



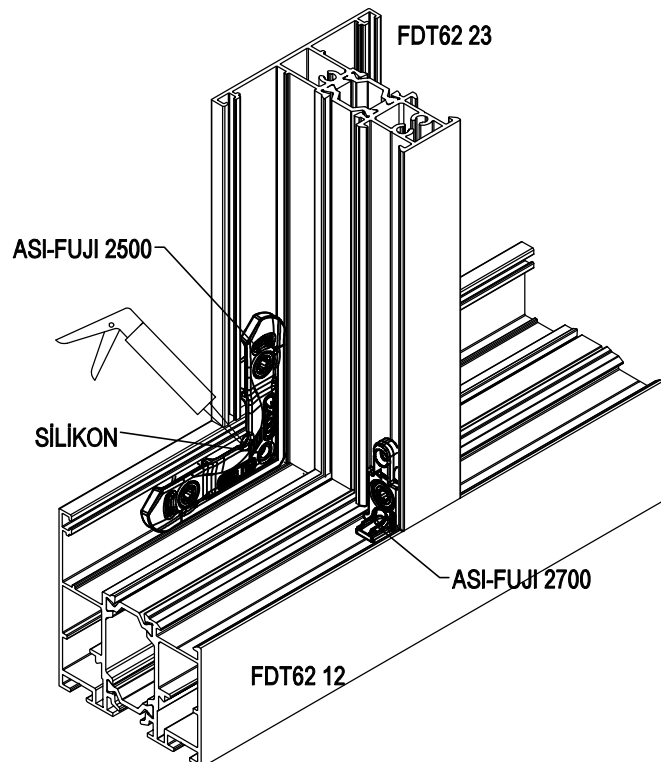
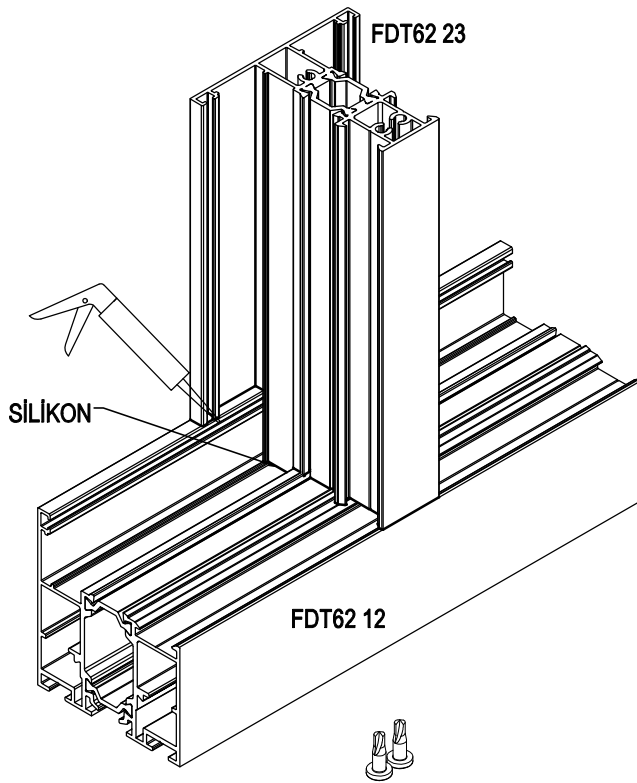
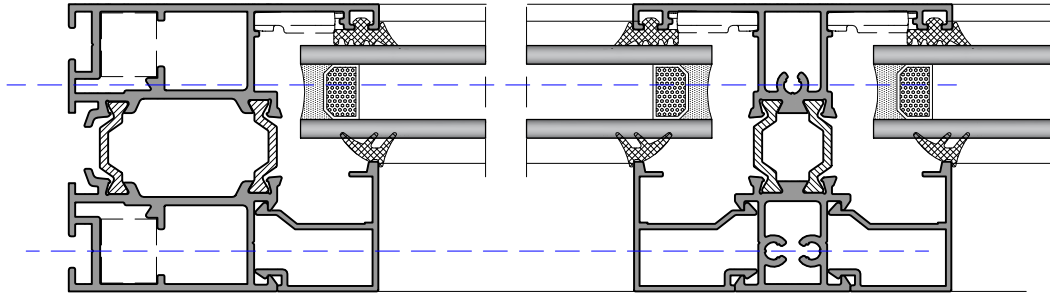
# FDT62

YALITIMLI KATLANIR KAPI SİSTEMİ  
THERMAL FOLDING DOOR SYSTEM

ASISTAL

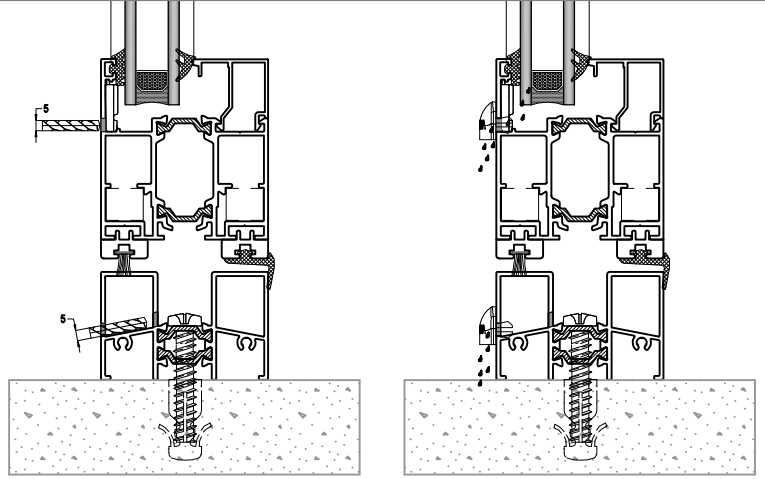
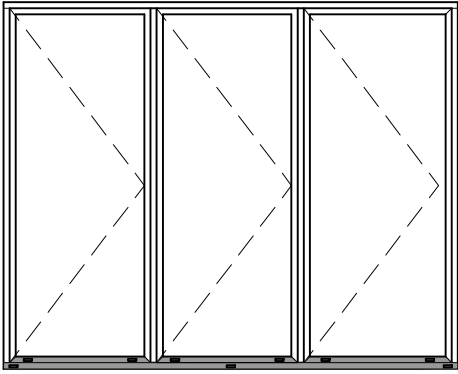
KANAT İÇİ ORTA KAYIT MONTAJI : FDT62 12

TRANSOM / MULLION PROFILE ASSEMBLY INSIDE THE SASH: FDT62 12

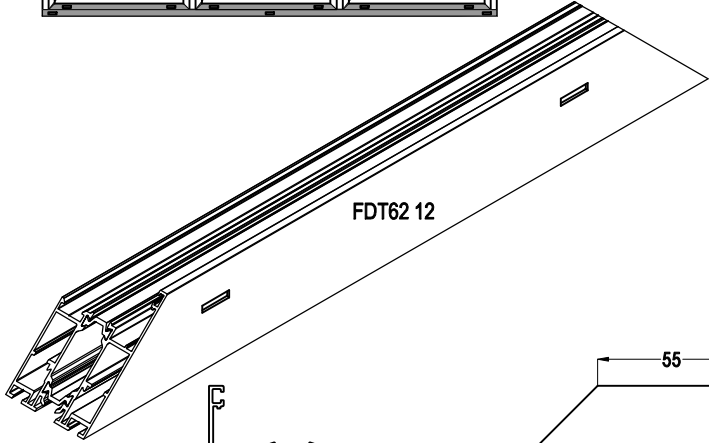


# FDT62

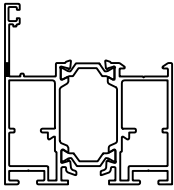
YALITIMLI KATLANIR KAPI SİSTEMİ  
THERMAL FOLDING DOOR SYSTEM



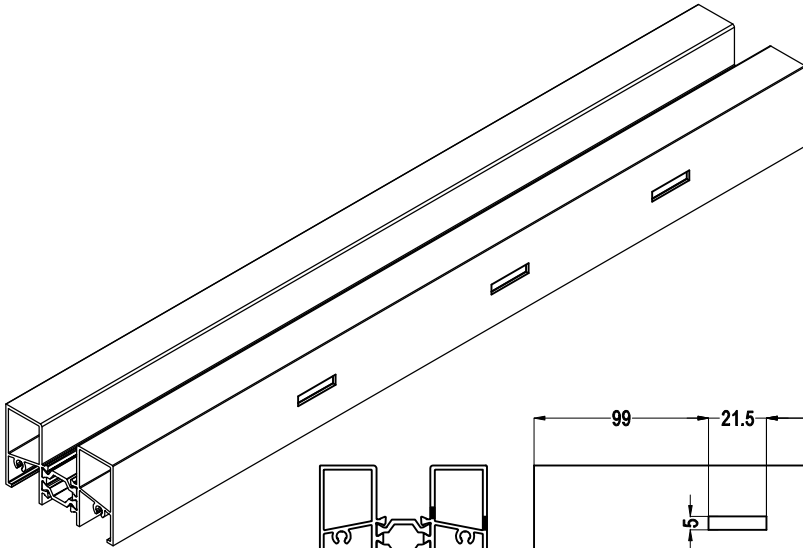
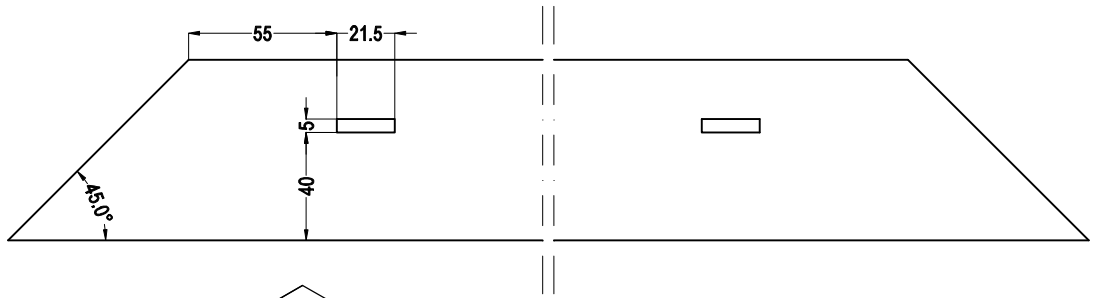
ASI-WDC 01



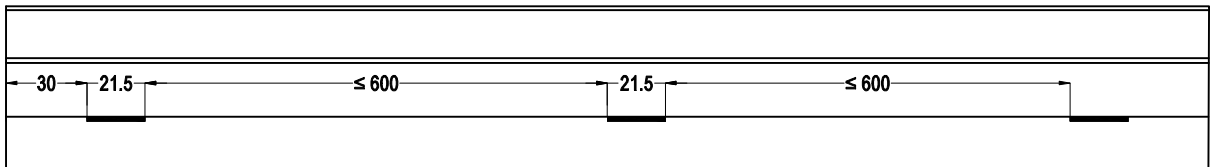
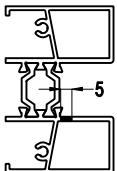
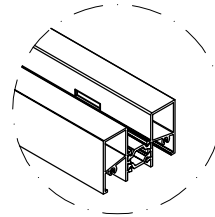
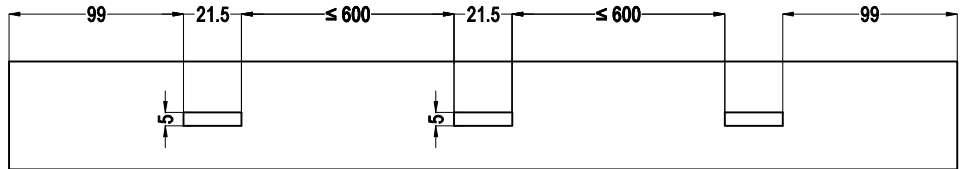
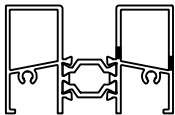
FDT62 12



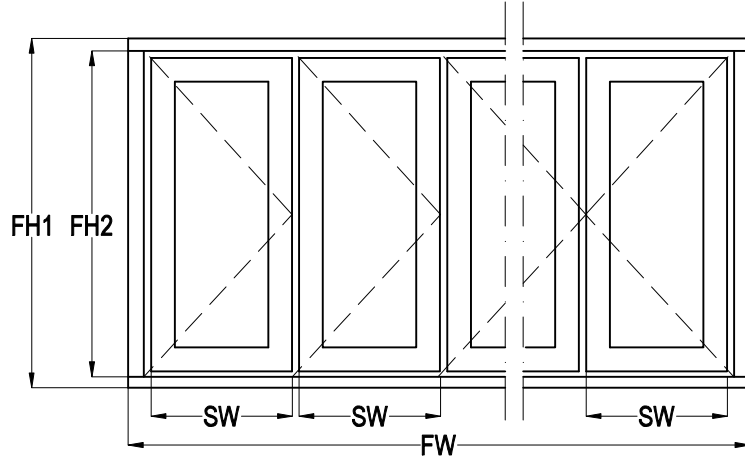
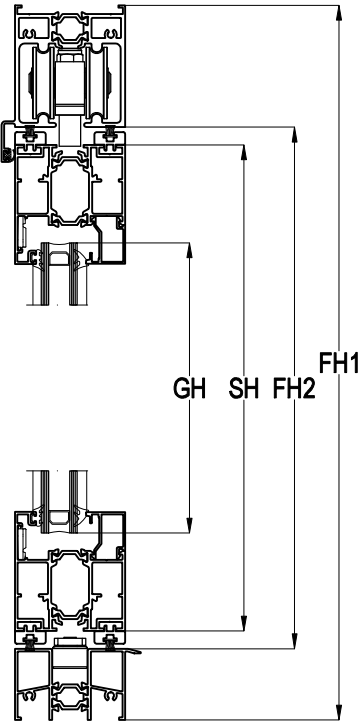
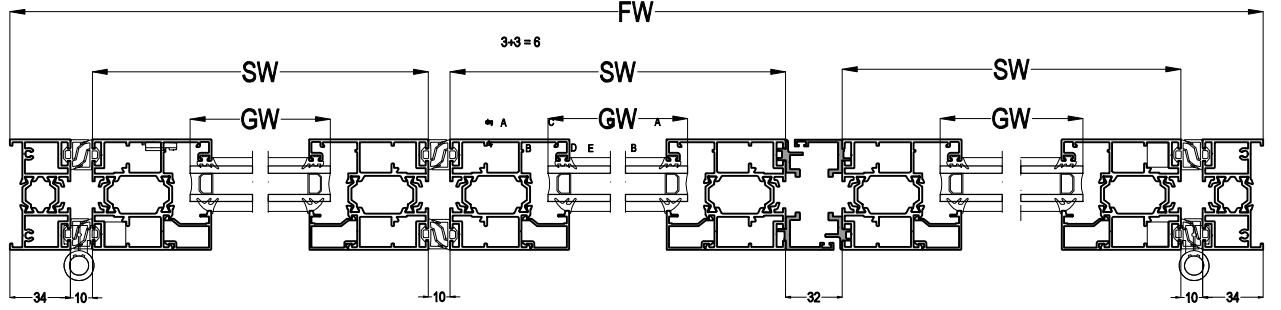
FDT62 12



FDT62 03





İSPANYOLET KİLİTLEME AÇILIM TİPİ İÇİN KESİM ÖLÇÜLERİ  
CUTTING SIZES FOR MULTI POINT LOCKING

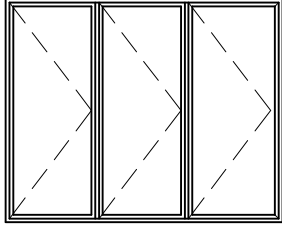
KASA PROFİLİ Frame Profile	KANAT PROFİLİ Sash Profile	KESİM ÖLÇÜLERİ Cutting Sizes
FDT62 01 FDT62 02 FDT62 03		$SW = \frac{FW - 100\text{mm} - (10\text{mm} \times SP)}{SP}$
FDT62 04 FDT62 05 FDT62 06 FDT62 07	FDT62 11 FDT62 12	GW=SW-100 mm SH=FH1-132,5 mm GH=SH-100 mm FH2=FH1-108,5mm

FW= KASA GENİŞLİĞİ / FRAME WIDTH  
SW= KANAT GENİŞLİĞİ / SASH WIDTH  
GW= CAM GENİŞLİĞİ / GLASS WIDTH  
SP = KANAT ADEDİ / SASH PIECES

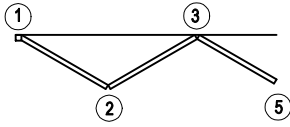
FH= KASA YÜKSEKLİĞİ / FRAME HEIGHT  
SH= KANAT YÜKSEKLİĞİ / SASH HEIGHT  
GH= CAM YÜKSEKLİĞİ / GLASS HEIGHT

## 3+0 KANAT AKSESUAR DETAYLARI 3+0 SASH ACCESSORIES DETAILS

3

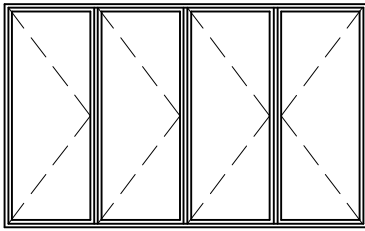


DIŞ  
İÇ

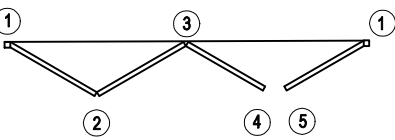


## 3+1 KANAT AKSESUAR DETAYLARI 3+1 SASH ACCESSORIES DETAILS

3+1=4



DIŞ  
İÇ



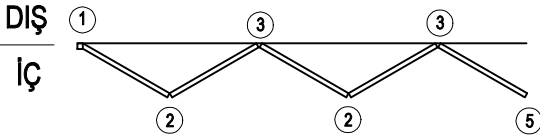
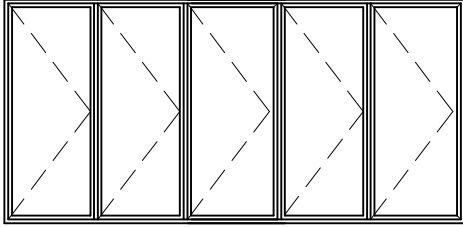
## İSPANYOLET KİLİTLEMeye GÖRE AKSESUAR TABLOSU ACCESSORIES TABLE FOR MULTI POINT LOCK

AKSESUAR ACCESSORIES	SİSTEM KODU SYSTEM CODE	ADET PCS	AKSESUAR ACCESSORIES	SİSTEM KODU SYSTEM CODE	ADET PCS
	FDA-H 003	10		FDA-GB 01	1
	FDA-H 002	1		FDA-B 01	1
	FDA-H 001	1		FDA-K 01	1
	FDA-H 004	1		ASI-FUJII 2000	12
	ASI-DH 002	1		ASI-PB 1214	24
	ASI-LS 314890	1		ASI-RP 314750	3
	ASI-LS 301645	1		ASI-RS 311100	3
	ASI-BRL 90S	1			

AKSESUAR ACCESSORIES	SİSTEM KODU SYSTEM CODE	ADET PCS	AKSESUAR ACCESSORIES	SİSTEM KODU SYSTEM CODE	ADET PCS
	FDA-H 003	14		FDA-GB 01	1
	FDA-H 002	1		FDA-B 01	2
	FDA-H 001	1		FDA-K 01	1
	FDA-H 004	1		FDA-B 02	2
	ASI-DH 002	1		ASI-FUJII 2000	16
	ASI-LS 314890	1		ASI-PB 1214	32
	ASI-LS 301645	1		ASI-RP 314750	3
	ASI-BRL 90S	1		ASI-RS 311100	3

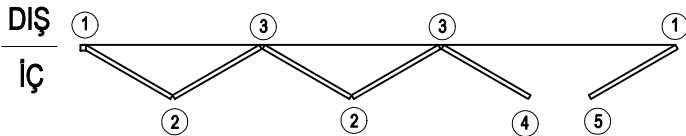
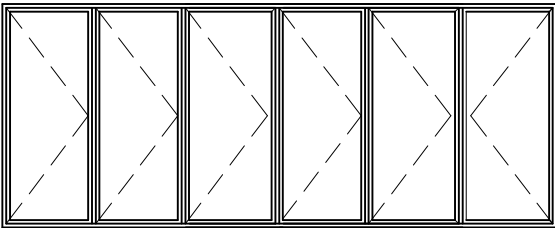
### 5+0 KANAT AKSESUAR DETAYLARI 5+0 SASH ACCESSORIES DETAILS

5



### 5+1 KANAT AKSESUAR DETAYLARI 5+1 SASH ACCESSORIES DETAILS

5+1=6

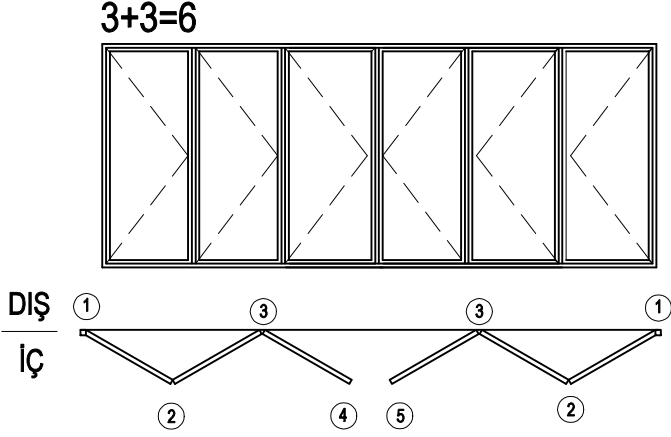


### İSPANYOLET KİLİTLEMeye GÖRE AKSESUAR TABLOSU ACCESSORIES TABLE FOR MULTI POINT LOCK

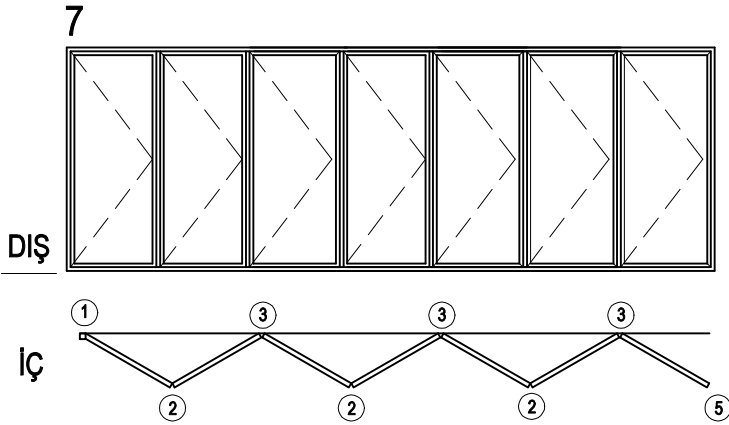
AKSESUAR ACCESSORIES	SİSTEM KODU SYSTEM CODE	ADET PCS	AKSESUAR ACCESSORIES	SİSTEM KODU SYSTEM CODE	ADET PCS
	FDA-H 003	16		FDA-GB 01	2
	FDA-H 002	2		FDA-B 01	2
	FDA-H 001	2		FDA-K 01	2
	FDA-H 004	2		ASI-FUJİ 2000	20
	ASI-DH 002	1		ASI-PB 1214	40
	ASI-LS 314890	1		ASI-RP 314750	3
	ASI-LS 301645	1		ASI-RS 311100	3
	ASI-BRL 90S	1			

AKSESUAR ACCESSORIES	SİSTEM KODU SYSTEM CODE	ADET PCS	AKSESUAR ACCESSORIES	SİSTEM KODU SYSTEM CODE	ADET PCS
	FDA-H 003	20		FDA-GB 01	2
	FDA-H 002	2		FDA-B 01	3
	FDA-H 001	2		FDA-K 01	2
	FDA-H 004	2		FDA-B 02	2
	ASI-DH 002	1		ASI-FUJİ 2000	24
	ASI-LS 314890	1		ASI-PB 1214	48
	ASI-LS 301645	1		ASI-RP 314750	3
	ASI-BRL 90S	1		ASI-RS 311100	3

### 3+3 KANAT AKSESUAR DETAYLARI 3+3 SASH ACCESSORIES DETAILS



### 7+0 KANAT AKSESUAR DETAYLARI 7+0 SASH ACCESSORIES DETAILS



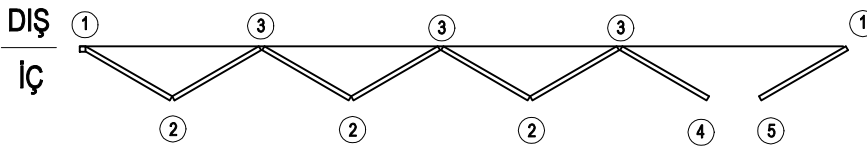
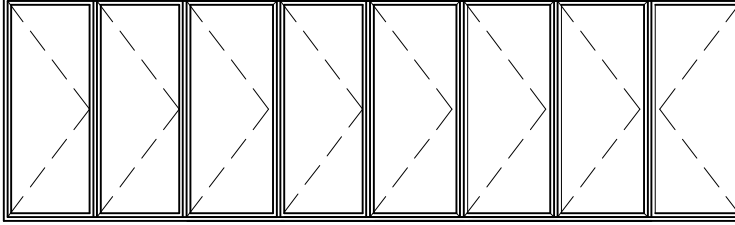
### İSPANYOLET KİLİTLEMeye GÖRE AKSESUAR TABLOSU ACCESSORIES TABLE FOR MULTI POINT LOCK

AKSESUAR ACCESSORIES	SİSTEM KODU SYSTEM CODE	ADET PCS	AKSESUAR ACCESSORIES	SİSTEM KODU SYSTEM CODE	ADET PCS
	FDA-H 003	20		FDA-GB 01	2
	FDA-H 002	2		FDA-B 01	3
	FDA-H 001	2		FDA-K 01	2
	FDA-H 004	2		FDA-B 02	4
	ASI-DH 002	1		ASI-FUJI 2000	24
	ASI-LS 314890	1		ASI-PB 1214	48
	ASI-LS 301645	1		ASI-RP 314750	3
	ASI-BRL 90S	1		ASI-RS 311100	3

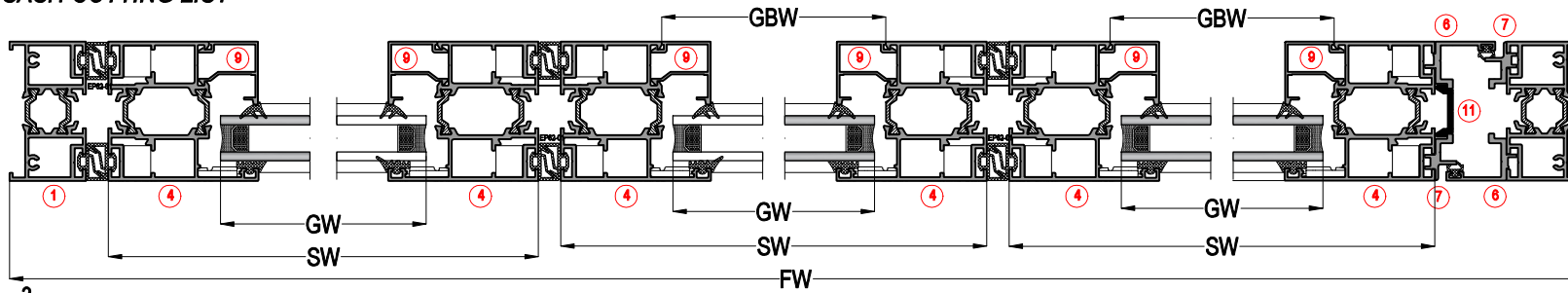
AKSESUAR ACCESSORIES	SİSTEM KODU SYSTEM CODE	ADET PCS	AKSESUAR ACCESSORIES	SİSTEM KODU SYSTEM CODE	ADET PCS
	FDA-H 003	22		FDA-GB 01	3
	FDA-H 002	3		FDA-B 01	3
	FDA-H 001	3		FDA-K 01	3
	FDA-H 004	3		ASI-FUJI 2000	28
	ASI-DH 002	1		ASI-PB 1214	56
	ASI-LS 314890	1		ASI-RP 314750	3
	ASI-LS 301645	1		ASI-RS 311100	3
	ASI-BRL 90S	1			

7+1 KANAT AKSESUAR DETAYLARI  
7+1 SASH ACCESSORIES DETAILS

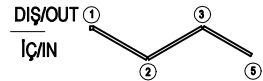
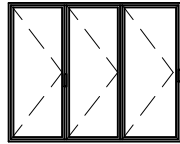
7+1=8



AKSESUAR ACCESSORIES	SİSTEM KODU SYSTEM CODE	ADET PCS	AKSESUAR ACCESSORIES	SİSTEM KODU SYSTEM CODE	ADET PCS
	FDA-H 003	26		FDA-GB 01	3
	FDA-H 002	3		FDA-B 01	4
	FDA-H 001	3		FDA-K 01	3
	FDA-H 004	3		FDA-B 02	2
	ASI-DH 002	1		ASI-FUJII 2000	32
	ASI-LS 314890	1		ASI-PB 1214	64
	ASI-LS 301645	1		ASI-RP 314750	3
	ASI-BRL 90S	1		ASI-RS 311100	3

3+0 KANAT KANAT KESİM ÖLÇÜLERİ  
3+0 SASH CUTTING LIST

3

DIŞ/OUT  
İÇ/IN

PROFİLLER / PROFILES					
NO / Number	ADET / Unit	KOD / Code	PROFİL ÇİZİMİ / Drawing	PROFİL TANIMI / Description	KESİM ÖLÇÜSÜ / Cutting Dimensions
1	2	FDT62 01		DÜŞEY KASA PROFİLİ / Vertical Frame Profile	FH-108,5
2	1	FDT62 02		ÜST YATAY KASA PROFİLİ / Top Horizontal Frame Profile	FW
3	1	FDT62 06		ALT YATAY KASA PROFİLİ / Bottom Horizontal Frame Profile	FW
4	6	FDT62 11		DÜŞEY KANAT PROFİLİ / Vertical Frame Profile	SH=FW-132,5
5	6	FDT62 11		YATAY KANAT PROFİLİ / Horizontal Frame Profile	SW=(FW-100-(10X3))3
6	2	FDT62 43		KAPI ADAPTOR PROFİLİ / Door Adapter Profile	SH+14
7	2	FDT62 44		KAPI ADAPTOR PROFİLİ / Door Adapter Profile	SH+14
8	12	FDT62 42		KİL FİTİL ADAPTOR PRO. / Brush Adapter Profile	SW
9	6	11-020		DÜŞEY CAM ÇİTASI / Vertical Glazing Bead	GBH=SH-133,7
10	6	11-020		YATAY CAM ÇİTASI / Horizontal Glazing Bead	GBW=SW-90
11	1	12-62		TİJ PROFİLİ / Connecting Rod	SH-250

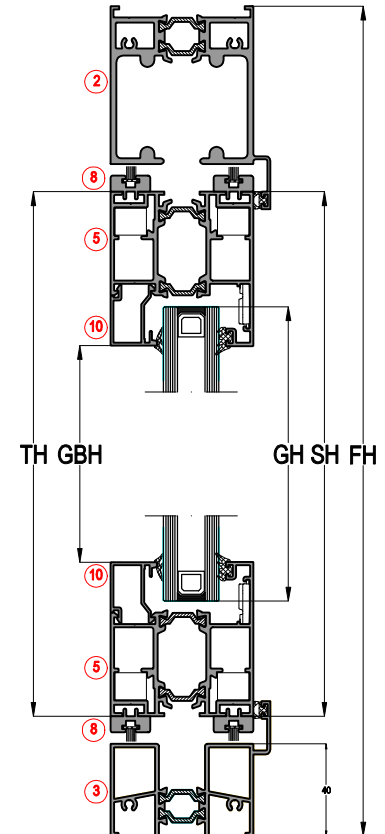
CAM KESİM ÖLÇÜLERİ / GLASS CUTTING SIZES		
KOD / Code	TANIMI / Description	KESİM ÖLÇÜSÜ / Cutting Dimensions
GW	CAM GENİŞLİK / Sash Glass Width	GW=SW-100
GH	CAM YÜKSEKLİK / Sash Glass Height	GH=SH-100

## FİTİLLER / GASKETS

MİKTAR / Unit	KOD / Code	PROFİL ÇİZİMİ / Drawing	PROFİL TANIMI / Description	KESİM ÖLÇÜSÜ / Cutting Dimensions
mt	EP2-01		İÇ CAM FİTİLİ / Inner Glazing Gasket	(6xGW)+(6xGH)
mt	EP1-01		DIŞ CAM FİTİLİ / Outer Glazing Gasket	(6XGW)+(6XGH)
mt	EP3-03		KANAT BİNİ FİTİLİ / Sash Gasket	2XSH+2XFW
mt	KF 67-550		FİRÇA FİTİL / Brush Gasket - 5,5mm	12XSW
mt	EP62-01		ORTA BİNİ FİTİLİ / Gasket For Open Joint	12XSH

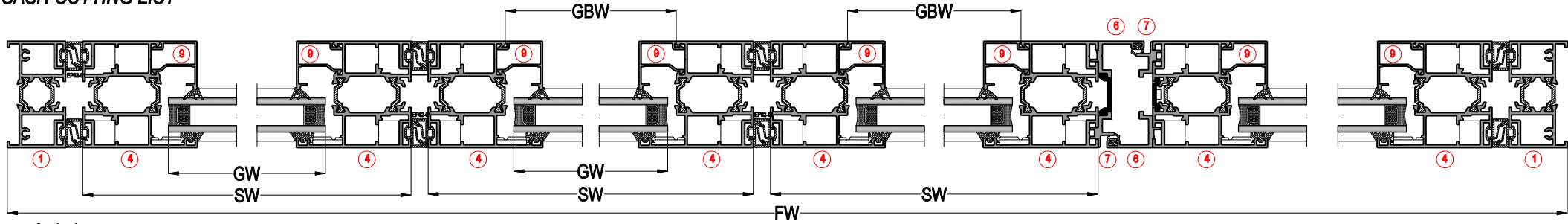
## AKSESUARLAR / ACCESSORIES

MİKTAR / Unit	KOD / Code	PROFİL ÇİZİMİ / Drawing	AKSESUAR TANIMI / Description	KESİM ÖLÇÜSÜ / Cutting Dimensions
24 Adet / Pcs	ASI-PB 1214		PİMLİ KÖŞE BAĞLANTI / Corner Joint	
12 Adet / Pcs	ASI-FUJİ 2000		AYARLI KÖŞE GÖNYESİ / Corner Alignment	
10 Adet / Pcs	FDA-H 003		ARA MENTEŞE / Standart Hinge	
1 Adet / Pcs	FDA-H 004		ÇEKME KOL / Pull Handle	
1 Adet / Pcs	FDA-H 002		ALT MENTEŞE / Bottom Hinge	
1 Adet / Pcs	FDA-H 001		ÜST MENTEŞE / Top Hinge	
1 Adet / Pcs	ASI-DH 002		KAPI KOLU / Door Handle	
1 Adet / Pcs	ASI-LS 314890		İSPANYOLET KİLİTLEME / Multi P. Look With Key	
1 Adet / Pcs	ASI-LS 301645		İSPANYOLET KİLİT KARŞILIĞI / Look Str.For Multi P.	
1 Adet / Pcs	ASI-BRL 90S		90°LİK SİMETRİK BAREL / Symetric Cylinder 90	
1 Adet / Pcs	FDA-GB 01		ÇİFT YÖNLÜ KİLİTLEME / Gear Box -Two Way	
1 Adet / Pcs	FDA-B 01		SURGU KİLİTLEME / Folding Bolt	
1 Adet / Pcs	FDA-K 01		ÇİFT YÖNLÜ KİLİTLEME KOLU / Gear Box Handle	
3 Adet / Pcs	ASI-314750		TİJ PİMİ / Rod Profile Locking	
3 Adet / Pcs	ASI-311100		TİJ PİMİ KARŞILIK / Rod Profile Strike	
1 Adet / Pcs	12-41		TİJ PROFİLİ / Espag Rod	TH1=HH-120
1 Adet / Pcs	12-41		TİJ PROFİLİ / Espag Rod	TH2=SH-HH-120
X Adet / Pcs	FDA-M 01		ÜST KASA MONTAJ PARÇASI / Frame Fixed Part	X=FW/300mm

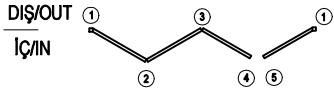
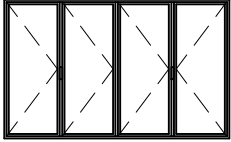


### 3+1 KANAT KANAT KESİM ÖLÇÜLERİ 3+1 SASH CUTTING LIST

İSPANYOLET KİLİTLEME AÇILIM TİPİ İÇİN KESİM ÖLÇÜLERİ  
CUTTING SIZES FOR MULTI POINT LOCKING



3+1=4



PROFİLLER / PROFILES					
NO / Number	ADET / Unit	KOD / Code	PROFİL ÇİZİMİ / Drawing	PROFİL TANIMI / Description	KESİM ÖLÇÜSÜ / Cutting Dimensions
1	2	FDT62 01		DÜŞEY KASA PROFİLİ / Vertical Frame Profile	FH=108,5
2	1	FDT62 02		ÜST YATAY KASA PROFİLİ / Top Horizontal Frame Profile	FW
3	1	FDT62 06		ALT YATAY KASA PROFİLİ / Bottom Horizontal Frame Profile	FW
4	8	FDT62 11		DÜŞEY KANAT PROFİLİ / Vertical Frame Profile	SH=FW-132,5
5	8	FDT62 11		YATAY KANAT PROFİLİ / Horizontal Frame Profile	SW=(FW-100-(10X4))/4
6	2	FDT62 43		KAPI ADAPTOR PROFİLİ / Door Adapter Profile	SH+14
7	2	FDT62 44		KAPI ADAPTOR PROFİLİ / Door Adapter Profile	SH+14
8	16	FDT62 42		KİL FİTİL ADAPTOR PRO. / Brush Adapter Profile	SW
9	8	11-020		DÜŞEY CAM ÇİTASI / Vertical Glazing Bead	GBH=SH-133,7
10	8	11-020		YATAY CAM ÇİTASI / Horizontal Glazing Bead	GBW=SW-90
11	1	12-62		TİJ PROFİLİ / Connecting Rod	SH-250

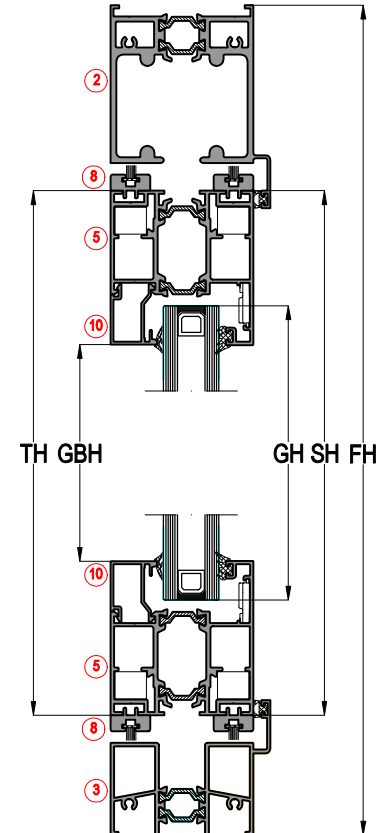
CAM KESİM ÖLÇÜLERİ / GLASS CUTTING SIZES		
KOD / Code	TANIMI / Description	KESİM ÖLÇÜSÜ / Cutting Dimensions
GW	CAM GENİŞLİK / Sash Glass Width	GW=SW-100
GH	CAM YÜKSEKLİK / Sash Glass Height	GH=SH-100

### FİTİLLER / GASKETS

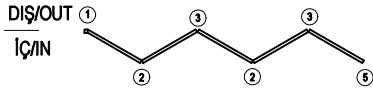
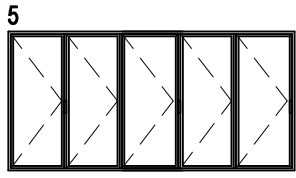
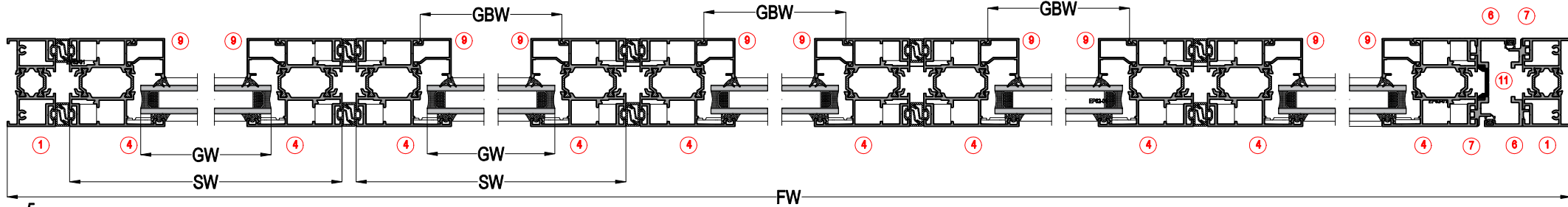
MIKTAR / Unit	KOD / Code	PROFİL ÇİZİMİ / Drawing	PROFİL TANIMI / Description	KESİM ÖLÇÜSÜ / Cutting Dimensions
mt	EP2-01		İÇ CAM FİTİLİ / Inner Glazing Gasket	(8xGW)+(8xGH)
mt	EP1-01		DIŞ CAM FİTİLİ / Outer Glazing Gasket	(8XGW)+(8XGH)
mt	EP3-03		KANAT BİNİ FİTİLİ / Sash Gasket	2XSH+2XFW
mt	KF 67-550		FİRÇA FİTİL / Brush Gasket - 5,5mm	16XSW
mt	EP62-01		ORTA BİNİ FİTİLİ / Gasket For Open Joint	16XSH

### AKSESUARLAR / ACCESSORIES

32 Adet / Pcs	ASI-PB 1214		PİMLİ KÖŞE BAĞLANTI / Corner Joint	
16 Adet / Pcs	ASI-FUJİ 2000		AYARLI KÖŞE GÖNYESİ / Corner Alignment	
14 Adet / Pcs	FDA-H 003		ARA MENTEŞE / Standart Hinge	
1 Adet / Pcs	FDA-H 004		ÇEKME KOL / Pull Handle	
1 Adet / Pcs	FDA-H 002		ALT MENTEŞE / Bottom Hinge	
1 Adet / Pcs	FDA-H 001		ÜST MENTEŞE / Top Hinge	
1 Adet / Pcs	ASI-DH 002		KAPI KOLU / Door Handle	
1 Adet / Pcs	ASI-SL 314890		İSPANYOLET KİLİTLEME / Multi P. Lock With Key	
1 Adet / Pcs	ASI-SL 301645		İSPANYOLET KİLİT KARŞILIĞI / Look Str. For Multi P.	
1 Adet / Pcs	ASI-BRL 90S		90'LİK SİMETRİK BAREL / Symetric Cylinder 90	
1 Adet / Pcs	FDA-GB 01		ÇİFT YÖNLÜ KİLİTLEME / Gear Box -Two Way	
2 Adet / Pcs	FDA-B 01		SURGU KİLİTLEME / Folding Bolt	
2 Adet / Pcs	FDA-B 02		SURGU KİLİTLEME KOLU / Folding Bolt Handle	
1 Adet / Pcs	FDA-K 01		ÇİFT YÖNLÜ KİLİTLEME KOLU / Gear Box Handle	
3 Adet / Pcs	ASI-314750		TİJ PİMİ / Rod Profile Locking	
3 Adet / Pcs	ASI-311100		TİJ PİMİ KARŞILIK / Rod Profile Strike	
2 Adet / Pcs	12-41		TİJ PROFİLİ / Espag Rod	TH1=HH-120
2 Adet / Pcs	12-41		TİJ PROFİLİ / Espag Rod	TH2=SH-HH-120
X Adet / Pcs	FDA-M 01		ÜST KASA MONTAJ PARÇASI / Frame Fixed Part	X=FW/300mm



### 5+0 KANAT KANAT KESİM ÖLÇÜLERİ 5+0 SASH CUTTING LIST



PROFİLLER / PROFILES					
NO / Number	ADET / Unit	KOD / Code	PROFİL ÇİZİMİ / Drawing	PROFİL TANIMI / Description	KESİM ÖLÇÜSÜ / Cutting Dimensions
1	2	FDT62 01		DÜŞEY KASA PROFİLİ / Vertical Frame Profile	FH=108,5
2	1	FDT62 02		ÜST YATAY KASA PROFİLİ / Top Horizontal Frame Profile	FW
3	1	FDT62 06		ALT YATAY KASA PROFİLİ / Bottom Horizontal Frame Profile	FW
4	10	FDT62 11		DÜŞEY KANAT PROFİLİ / Vertical Frame Profile	SH=FW-132,5
5	10	FDT62 11		YATAY KANAT PROFİLİ / Horizontal Frame Profile	SW=(FW-100-(10X5))/5
6	2	FDT62 43		KAPI ADAPTOR PROFİLİ / Door Adapter Profile	SH+14
7	2	FDT62 44		KAPI ADAPTOR PROFİLİ / Door Adapter Profile	SH+14
8	20	FDT62 42		KİL FİTİL ADAPTOR PRO. / Brush Adapter Profile	SW
9	10	11-020		DÜŞEY CAM ÇİTASI / Vertical Glazing Bead	GBH=SH-133,7
10	10	11-020		YATAY CAM ÇİTASI / Horizontal Glazing Bead	GBW=SW-90
11	1	12-62		TİJ PROFİLİ / Connecting Rod	SH-250

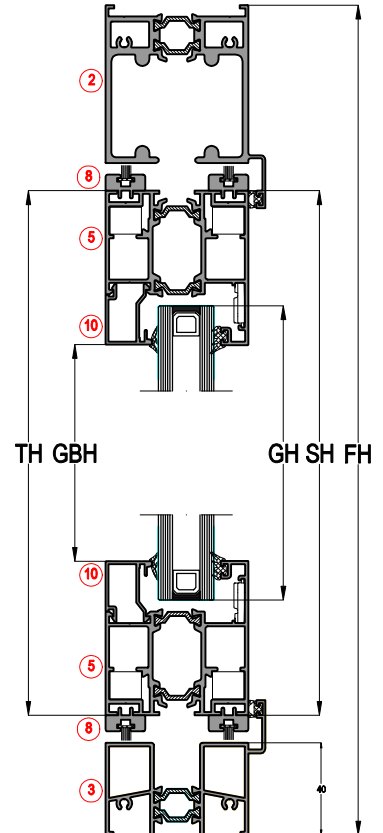
CAM KESİM ÖLÇÜLERİ / GLASS CUTTING SIZES		
KOD / Code	TANIMI / Description	KESİM ÖLÇÜSÜ / Cutting Dimensions
GW	CAM GENİŞLİK / Sash Glass Width	GW=SW-100
GH	CAM YÜKSEKLİK / Sash Glass Height	GH=SH-100

### FİTİLLER / GASKETS

MİKTAR / Unit	KOD / Code	PROFİL ÇİZİMİ / Drawing	PROFİL TANIMI / Description	KESİM ÖLÇÜSÜ / Cutting Dimensions
mt	EP2-01		İÇ CAM FİTİLİ / Inner Glazing Gasket	(10xGW)+(10xGH)
mt	EP1-01		DIŞ CAM FİTİLİ / Outer Glazing Gasket	(10XGW)+(10XGH)
mt	EP3-03		KANAT BİNİ FİTİLİ / Sash Gasket	2XSH+2XFW
mt	KF 67-550		FİRÇA FİTİL / Brush Gasket - 5,5mm	20XSW
mt	EP62-01		ORTA BİNİ FİTİLİ / Gasket For Open Joint	20XSH

### AKSESUARLAR / ACCESSORIES

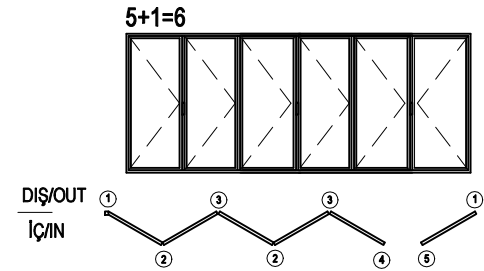
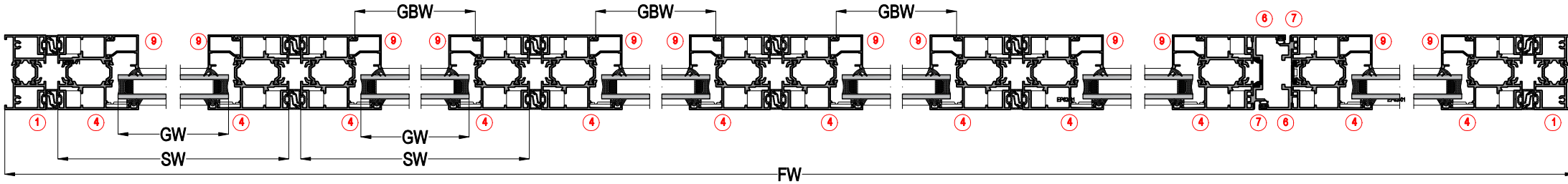
MİKTAR / Unit	KOD / Code	AKSESUAR ÇİZİMİ / Drawing	AKSESUAR TANIMI / Description	AKSESUAR ÖLÇÜSÜ / Accessory Dimensions
40 Adet / Pcs	ASI-PB 1214		PİMLİ KÖŞE BAĞLANTI / Corner Joint	
20 Adet / Pcs	ASI-FUJII 2000		AYARLI KÖŞE GÖNYESİ / Corner Alignment	
16 Adet / Pcs	FDA-H 003		ARA MENTEŞE / Standart Hinge	
2 Adet / Pcs	FDA-H 004		ÇEKME KOL / Pull Handle	
2 Adet / Pcs	FDA-H 002		ALT MENTEŞE / Bottom Hinge	
2 Adet / Pcs	FDA-H 001		ÜST MENTEŞE / Top Hinge	
1 Adet / Pcs	ASI-DH 002		KAPI KOLU / Door Handle	
1 Adet / Pcs	ASI-LS 314890		İSPANYOLET KİLİTLEME / Multi P. Look With Key	
1 Adet / Pcs	ASI-LS 301645		İSPANYOLET KİLİT KARŞILIĞI / Look Str. For Multi P.	
1 Adet / Pcs	ASI-BRL 90S		90'LİK SİMETRİK BAREL / Symetric Cylinder 90	
2 Adet / Pcs	FDA-GB 01		ÇİFT YÖNLÜ KİLİTLEME / Gear Box -Two Way	
2 Adet / Pcs	FDA-B 01		SURGU KİLİTLEME / Folding Bolt	
2 Adet / Pcs	FDA-K 01		ÇİFT YÖNLÜ KİLİTLEME KOLU / Gear Box Handle	
3 Adet / Pcs	ASI-314750		TİJ PİMİ / Rod Profile Locking	
3 Adet / Pcs	ASI-311100		TİJ PİMİ KARŞILIK / Rod Profile Strike	
2 Adet / Pcs	12-41		TİJ PROFİLİ / Espag Rod	TH1=HH-120
2 Adet / Pcs	12-41		TİJ PROFİLİ / Espag Rod	TH2=SH-HH-120
X Adet / Pcs	FDA-M 01		ÜST KASA MONTAJ PARÇASI / Frame Fixed Part	X=FW/300mm





### 5+1 KANAT KANAT KESİM ÖLÇÜLERİ 5+1 SASH CUTTING LIST

İSPANYOLET KİLİTLEME AÇILIM TİPİ İÇİN KESİM ÖLÇÜLERİ  
CUTTING SIZES FOR MULTI POINT LOCKING

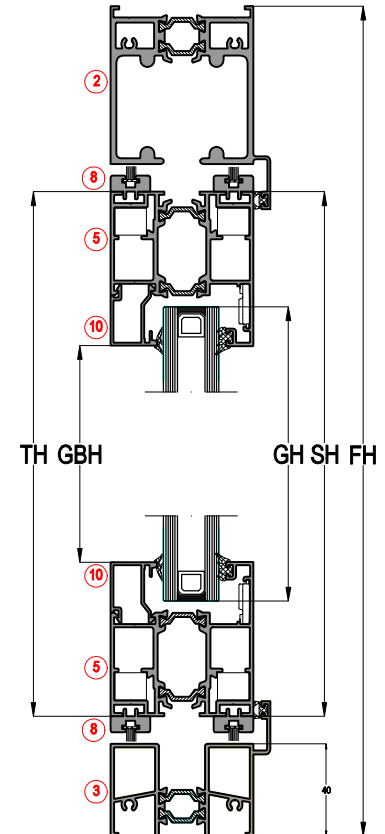


PROFİLLER / PROFILES					
NO / Number	ADET / Unit	KOD / Code	PROFİL ÇİZİMİ / Drawing	PROFİL TANIMI / Description	KESİM ÖLÇÜSÜ / Cutting Dimensions
1	2	FDT62 01		DÜŞEY KASA PROFİLİ / Vertical Frame Profile	FH=108,5
2	1	FDT62 02		ÜST YATAY KASA PROFİLİ / Top Horizontal Frame Profile	FW
3	1	FDT62 06		ALT YATAY KASA PROFİLİ / Bottom Horizontal Frame Profile	FW
4	12	FDT62 11		DÜŞEY KANAT PROFİLİ / Vertical Frame Profile	SH=FW-132,5
5	12	FDT62 11		YATAY KANAT PROFİLİ / Horizontal Frame Profile	SW=(FW-100)-(10X6)X6
6	2	FDT62 43		KAPI ADAPTOR PROFİLİ / Door Adapter Profile	SH+14
7	2	FDT62 44		KAPI ADAPTOR PROFİLİ / Door Adapter Profile	SH+14
8	24	FDT62 42		KİL FİTİL ADAPTOR PRO. / Brush Adapter Profile	SW
9	12	11-020		DÜŞEY CAM ÇİTASI / Vertical Glazing Bead	GBH=SH-133,7
10	12	11-020		YATAY CAM ÇİTASI / Horizontal Glazing Bead	GBW=SW-90
11	1	12-62		TİJ PROFİLİ / Connecting Rod	SH-250

CAM KESİM ÖLÇÜLERİ / GLASS CUTTING SIZES		
KOD / Code	TANIMI / Description	KESİM ÖLÇÜSÜ / Cutting Dimensions
GW	CAM GENİŞLİK / Sash Glass Width	GW=SW-100
GH	CAM YÜKSEKLİK / Sash Glass Height	GH=SH-100

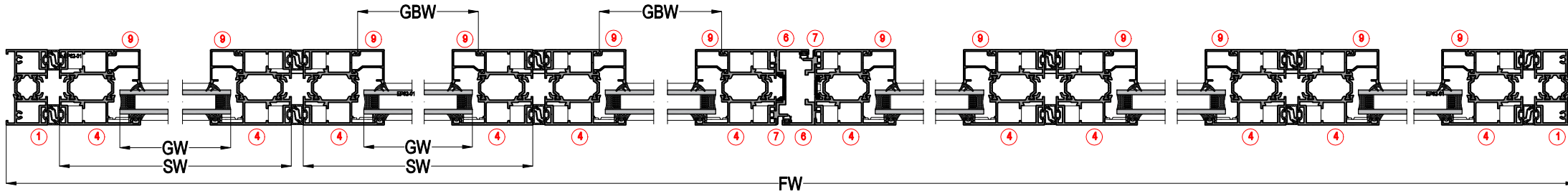
FİTİLLER / GASKETS				
MIKTAR / Unit	KOD / Code	PROFİL ÇİZİMİ / Drawing	PROFİL TANIMI / Description	KESİM ÖLÇÜSÜ / Cutting Dimensions
mt	EP2-01		İÇ CAM FİTİLİ / Inner Glazing Gasket	(12xGW)+(12xGH)
mt	EP1-01		DIŞ CAM FİTİLİ / Outer Glazing Gasket	(12XGW)+(12XGH)
mt	EP3-03		KANAT BİNİ FİTİLİ / Sash Gasket	2XSH+2XFW
mt	KF 67-550		FİRÇA FİTİL / Brush Gasket - 5,5mm	24XSW
mt	EP62-01		ORTA BİNİ FİTİLİ / Gasket For Open Joint	24XSH

AKSESUARLAR / ACCESSORIES				
MIKTAR / Unit	KOD / Code	PROFİL ÇİZİMİ / Drawing	AKSESUAR TANIMI / Description	AKSESUAR ÖLÇÜSÜ / Accessory Dimensions
48 Adet / Pcs	ASI-PB 1214		PİMLİ KÖŞE BAĞLANTI / Corner Joint	
24 Adet / Pcs	ASI-FUJİ 2000		AYARLI KÖŞE GÖNYESİ / Comer Alignment	
20 Adet / Pcs	FDA-H 003		ARA MENTEŞE / Standart Hinge	
2 Adet / Pcs	FDA-H 004		ÇEKME KOL / Pull Handle	
2 Adet / Pcs	FDA-H 002		ALT MENTEŞE / Bottom Hinge	
2 Adet / Pcs	FDA-H 001		ÜST MENTEŞE / Top Hinge	
1 Adet / Pcs	ASI-DH 002		KAPI KOLU / Door Handle	
1 Adet / Pcs	ASI-SL 314890		İSPANYOLET KİLİTLEME / Multi P. Look With Key	
1 Adet / Pcs	ASI-SL 301645		İSPANYOLET KİLİT KARŞILIĞI / Look Str. For Multi P.	
1 Adet / Pcs	ASI-BRL 90S		90'LİK SİMETRİK BAREL / Symetric Cylinder 90	
2 Adet / Pcs	FDA-GB 01		ÇİFT YÖNLÜ KİLİTLEME / Gear Box - Two Way	
3 Adet / Pcs	FDA-B 01		SURGU KİLİTLEME / Folding Bolt	
3 Adet / Pcs	FDA-B 02		SURGU KİLİTLEME KOLU / Folding Bolt Handle	
2 Adet / Pcs	FDA-K 01		ÇİFT YÖNLÜ KİLİTLEME KOLU / Gear Box Handle	
3 Adet / Pcs	ASI-314750		TİJ PİMİ / Rod Profile Locking	
3 Adet / Pcs	ASI-311100		TİJ PİMİ KARŞILIK / Rod Profile Strike	
3 Adet / Pcs	12-41		TİJ PROFİLİ / Espag Rod	TH1=HH-120
3 Adet / Pcs	12-41		TİJ PROFİLİ / Espag Rod	TH2=SH-HH-120
X Adet / Pcs	FDA-M 01		ÜST KASA MONTAJ PARÇASI / Frame Fixed Part	X=FW/300mm

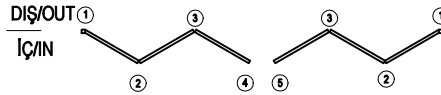
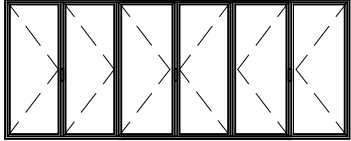


### 3+3 KANAT KANAT KESİM ÖLÇÜLERİ 3+3 SASH CUTTING LIST

### İSPANYOLET KİLİTLEME AÇILIM TİPİ İÇİN KESİM ÖLÇÜLERİ CUTTING SIZES FOR MULTI POINT LOCKING



3+3=6



PROFİLLER / PROFILES					
NO / Number	ADET / Unit	KOD / Code	PROFİL ÇİZİMİ / Drawing	PROFİL TANIMI / Description	KESİM ÖLÇÜSÜ / Cutting Dimensions
1	2	FDT62 01		DÜŞEY KASA PROFİLİ / Vertical Frame Profile	FH=108,5
2	1	FDT62 02		ÜST YATAY KASA PROFİLİ / Top Horizontal Frame Profile	FW
3	1	FDT62 06		ALT YATAY KASA PROFİLİ / Bottom Horizontal Frame Profile	FW
4	12	FDT62 11		DÜŞEY KANAT PROFİLİ / Vertical Frame Profile	SH=FW-132,5
5	12	FDT62 11		YATAY KANAT PROFİLİ / Horizontal Frame Profile	SW=(FW-100)-(10X6)X6
6	2	FDT62 43		KAPI ADAPTOR PROFİLİ / Door Adapter Profile	SH+14
7	2	FDT62 44		KAPI ADAPTOR PROFİLİ / Door Adapter Profile	SH+14
8	24	FDT62 42		KİL FİTİL ADAPTOR PRO. / Brush Adapter Profile	SW
9	12	11-020		DÜŞEY CAM ÇİTASI / Vertical Glazing Bead	GBH=SH-133,7
10	12	11-020		YATAY CAM ÇİTASI / Horizontal Glazing Bead	GBW=SW-90
11	1	12-62		TİJ PROFİLİ / Connecting Rod	SH-250

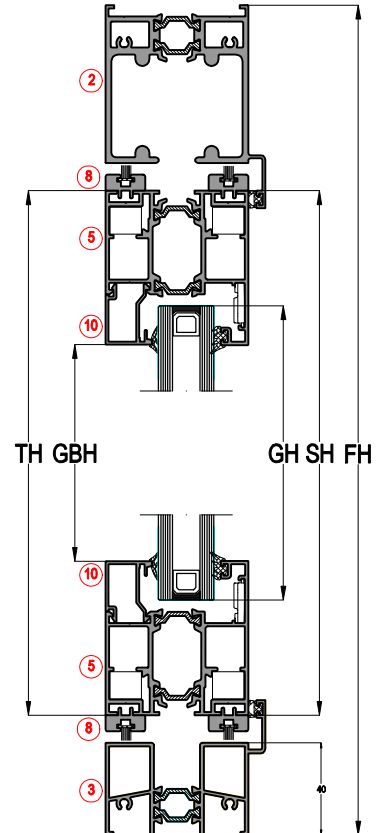
CAM KESİM ÖLÇÜLERİ / GLASS CUTTING SIZES		
KOD / Code	TANIMI / Description	KESİM ÖLÇÜSÜ / Cutting Dimensions
GW	CAM GENİŞLİK / Sash Glass Width	GW=SW-100
GH	CAM YÜKSEKLİK / Sash Glass Height	GH=SH-100

### FİTİLLER / GASKETS

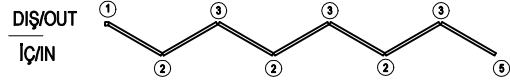
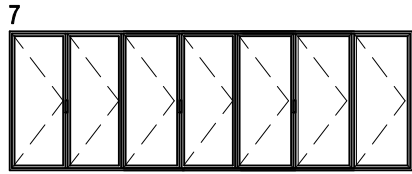
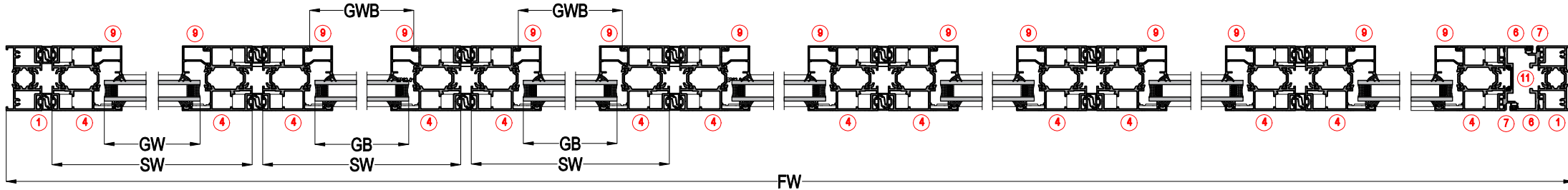
MIKTAR / Unit	KOD / Code	PROFİL ÇİZİMİ / Drawing	PROFİL TANIMI / Description	KESİM ÖLÇÜSÜ / Cutting Dimensions
mt	EP2-01		İÇ CAM FİTİLİ / Inner Glazing Gasket	(12xGW)+(12xGH)
mt	EP1-01		DIŞ CAM FİTİLİ / Outer Glazing Gasket	(12XGW)+(12XGH)
mt	EP3-03		KANAT BİNİ FİTİLİ / Sash Gasket	2XSH+2XFW
mt	KF 67-550		FİRÇA FİTİL / Brush Gasket - 5,5mm	24XSW
mt	EP62-01		ORTA BİNİ FİTİLİ / Gasket For Open Joint	24XSH

### AKSESUARLAR / ACCESSORIES

48 Adet / Pcs	ASI-PB 1214		PİMLİ KÖŞE BAĞLANTI / Corner Joint	
24 Adet / Pcs	ASI-FUJİ 2000		AYARLI KÖŞE GÖNYESİ / Corner Alignment	
20 Adet / Pcs	FDA-H 003		ARA MENTEŞE / Standart Hinge	
2 Adet / Pcs	FDA-H 004		ÇEKME KOL / Pull Handle	
2 Adet / Pcs	FDA-H 002		ALT MENTEŞE / Bottom Hinge	
2 Adet / Pcs	FDA-H 001		ÜST MENTEŞE / Top Hinge	
1 Adet / Pcs	ASI-DH 002		KAPI KOLU / Door Handle	
1 Adet / Pcs	ASI-SL 314890		İSPANYOLET KİLİTLEME / Multi P. Look With Key	
1 Adet / Pcs	ASI-SL 301645		İSPANYOLET KİLİT KARŞILIĞI / Look Str. For Multi P.	
1 Adet / Pcs	ASI-BRL 90S		90'LİK SİMETRİK BAREL / Symetric Cylinder 90	
2 Adet / Pcs	FDA-GB 01		ÇİFT YÖNLÜ KİLİTLEME / Gear Box - Two Way	
3 Adet / Pcs	FDA-B 01		SURGU KİLİTLEME / Folding Bolt	
2 Adet / Pcs	FDA-B 02		SURGU KİLİTLEME KOLU / Folding Bolt Handle	
2 Adet / Pcs	FDA-K 01		ÇİFT YÖNLÜ KİLİTLEME KOLU / Gear Box Handle	
3 Adet / Pcs	ASI-314750		TİJ PİMİ / Rod Profile Locking	
3 Adet / Pcs	ASI-311100		TİJ PİMİ KARŞILIK / Rod Profile Strike	
3 Adet / Pcs	12-41		TİJ PROFİLİ / Espag Rod	TH1=HH-120
3 Adet / Pcs	12-41		TİJ PROFİLİ / Espag Rod	TH2=SH-HH-120
X Adet / Pcs	FDA-M 01		ÜST KASA MONTAJ PARÇASI / Frame Fixed Part	X=FW/300mm



### 7 KANAT KANAT KESİM ÖLÇÜLERİ 7 SASH CUTTING LIST

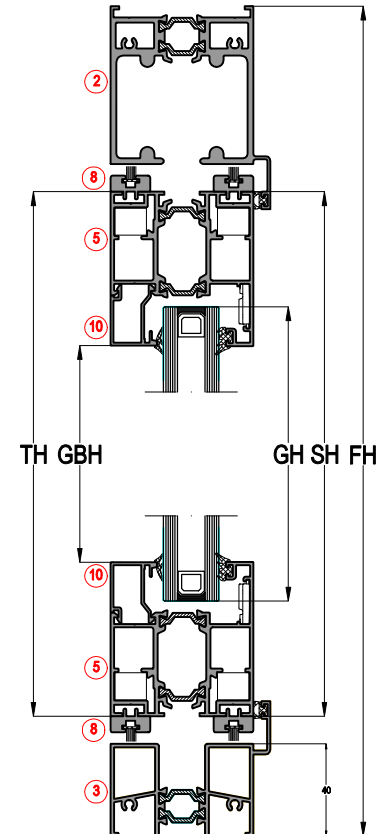


PROFİLLER / PROFILES					
NO / Number	ADET / Unit	KOD / Code	PROFİL ÇİZİMİ / Drawing	PROFİL TANIMI / Description	KESİM ÖLÇÜSÜ / Cutting Dimensions
1	2	FDT62 01		DÜŞEY KASA PROFİLİ / Vertical Frame Profile	FH=108,5
2	1	FDT62 02		ÜST YATAY KASA PROFİLİ / Top Horizontal Frame Profile	FW
3	1	FDT62 06		ALT YATAY KASA PROFİLİ / Bottom Horizontal Frame Profile	FW
4	14	FDT62 11		DÜŞEY KANAT PROFİLİ / Vertical Frame Profile	SH=FH-132,5
5	14	FDT62 11		YATAY KANAT PROFİLİ / Horizontal Frame Profile	SW=(FW-100)-(10X7)X
6	2	FDT62 43		KAPI ADAPTOR PROFİLİ / Door Adapter Profile	SH+14
7	2	FDT62 44		KAPI ADAPTOR PROFİLİ / Door Adapter Profile	SH+14
8	28	FDT62 42		KİL FİTİL ADAPTOR PRO. / Brush Adapter Profile	SW
9	14	11-020		DÜŞEY CAM ÇİTASI / Vertical Glazing Bead	GBH=SH-133,7
10	14	11-020		YATAY CAM ÇİTASI / Horizontal Glazing Bead	GBW=SW-90
11	1	12-62		TİJ PROFİLİ / Connecting Rod	SH-250

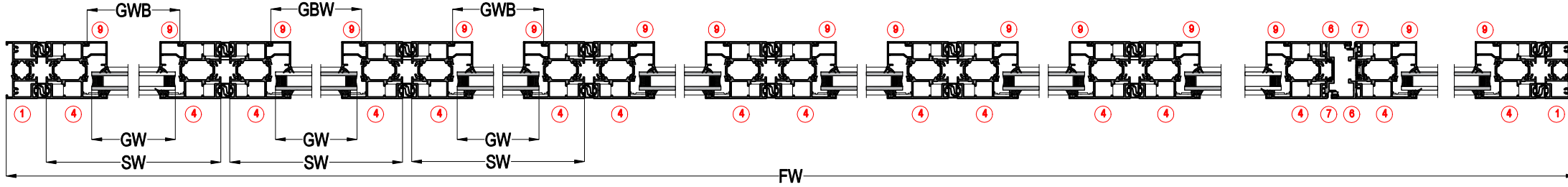
CAM KESİM ÖLÇÜLERİ / GLASS CUTTING SIZES		
KOD / Code	TANIMI / Description	KESİM ÖLÇÜSÜ / Cutting Dimensions
GW	CAM GENİŞLİK / Sash Glass Width	GW=SW-100
GH	CAM YÜKSEKLİK / Sash Glass Height	GH=SH-100

FİTİLLER / GASKETS				
MIKTAR / Unit	KOD / Code	PROFİL ÇİZİMİ / Drawing	PROFİL TANIMI / Description	KESİM ÖLÇÜSÜ / Cutting Dimensions
mt	EP2-01		İÇ CAM FİTİLİ / Inner Glazing Gasket	(14xGW)+(14xGH)
mt	EP1-01		DIŞ CAM FİTİLİ / Outer Glazing Gasket	(14XGW)+(14XGH)
mt	EP3-03		KANAT BİNİ FİTİLİ / Sash Gasket	2XSH+2XFW
mt	KF 67-550		FİRÇA FİTİL / Brush Gasket - 5,5mm	28XSW
mt	EP62-01		ORTA BİNİ FİTİLİ / Gasket For Open Joint	28XSH

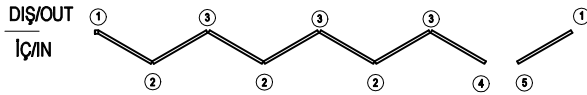
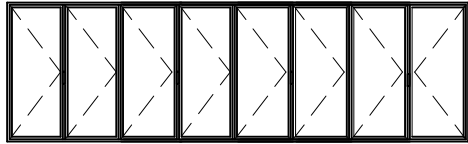
AKSESUARLAR / ACCESSORIES				
56 Adet / Pcs	ASI-PB 1214		PİMLİ KÖŞE BAĞLANTI / Corner Joint	
28 Adet / Pcs	ASI-FUJİ 2000		AYARLI KÖŞE GÖNYESİ / Corner Alignment	
22 Adet / Pcs	FDA-H 003		ARA MENTEŞE / Standart Hinge	
3 Adet / Pcs	FDA-H 004		ÇEKME KOL / Pull Handle	
3 Adet / Pcs	FDA-H 002		ALT MENTEŞE / Bottom Hinge	
3 Adet / Pcs	FDA-H 001		ÜST MENTEŞE / Top Hinge	
1 Adet / Pcs	ASI-DH 002		KAPI KOLU / Door Handle	
1 Adet / Pcs	ASI-SL 314890		İSPANYOLET KİLİTLEME / Multi P. Look With Key	
1 Adet / Pcs	ASI-SL 301645		İSPANYOLET KİLİT KARŞILIĞI / Look Str. For Multi P.	
1 Adet / Pcs	ASI-BRL 90S		90'LİK SİMETRİK BAREL / Symetric Cylinder 90	
3 Adet / Pcs	FDA-GB 01		ÇİFT YÖNLÜ KİLİTLEME / Gear Box - Two Way	
3 Adet / Pcs	FDA-B 01		SURGU KİLİTLEME / Folding Bolt	
3 Adet / Pcs	FDA-K 01		ÇİFT YÖNLÜ KİLİTLEME KOLU / Gear Box Handle	
3 Adet / Pcs	ASI-314750		TİJ PİMİ / Rod Profile Locking	
3 Adet / Pcs	ASI-311100		TİJ PİMİ KARŞILIK / Rod Profile Strike	
3 Adet / Pcs	12-41		TİJ PROFİLİ / Espag Rod	TH1=HH-120
3 Adet / Pcs	12-41		TİJ PROFİLİ / Espag Rod	TH2=SH-HH-120
X Adet / Pcs	FDA-M 01		ÜST KASA MONTAJ PARÇASI / Frame Fixed Part	X=FW/300mm



### 7+1 KANAT KANAT KESİM ÖLÇÜLERİ 7+1 SASH CUTTING LIST



7+1=8



#### PROFİLLER / PROFILES

NO / Number	ADET / Unit	KOD / Code	PROFİL ÇİZİMİ / Drawing	PROFİL TANIMI / Description	KESİM ÖLÇÜSÜ / Cutting Dimensions
1	2	FDT62 01		DÜŞEY KASA PROFİLİ / Vertical Frame Profile	FH=108,5
2	1	FDT62 02		ÜST YATAY KASA PROFİLİ / Top Horizontal Frame Profile	FW
3	1	FDT62 06		ALT YATAY KASA PROFİLİ / Bottom Horizontal Frame Profile	FW
4	16	FDT62 11		DÜŞEY KANAT PROFİLİ / Vertical Frame Profile	SH=FW-132,5
5	16	FDT62 11		YATAY KANAT PROFİLİ / Horizontal Frame Profile	SW=(FW-100)-(10X8)X8
6	2	FDT62 43		KAPI ADAPTOR PROFİLİ / Door Adapter Profile	SH+14
7	2	FDT62 44		KAPI ADAPTOR PROFİLİ / Door Adapter Profile	SH+14
8	32	FDT62 42		KİL FİTİL ADAPTOR PRO. / Brush Adapter Profile	SW
9	16	11-020		DÜŞEY CAM ÇİTASI / Vertical Glazing Bead	GBH=SH-133,7
10	16	11-020		YATAY CAM ÇİTASI / Horizontal Glazing Bead	GBW=SW-90
11	1	12-62		TİJ PROFİLİ / Connecting Rod	SH-250

#### CAM KESİM ÖLÇÜLERİ / GLASS CUTTING SIZES

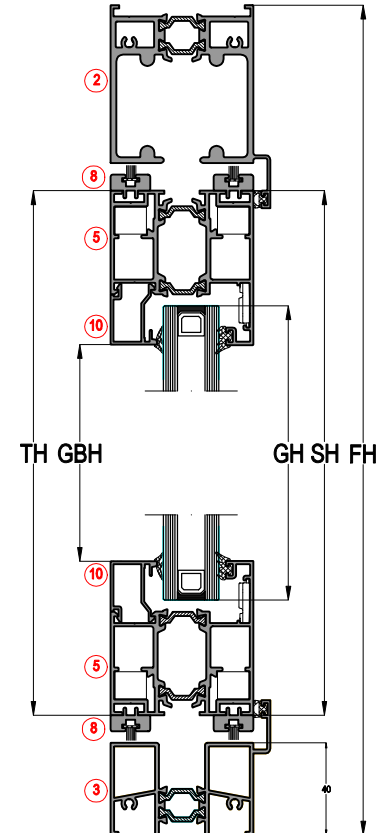
KOD / Code	TANIMI / Description	KESİM ÖLÇÜSÜ / Cutting Dimensions
GW	CAM GENİŞLİK / Sash Glass Width	GW=SW-100
GH	CAM YÜKSEKLİK / Sash Glass Height	GH=SH-100

#### FİTİLLER / GASKETS

MIKTAR / Unit	KOD / Code	PROFİL ÇİZİMİ / Drawing	PROFİL TANIMI / Description	KESİM ÖLÇÜSÜ / Cutting Dimensions
mt	EP2-01		İÇ CAM FİTİLİ / Inner Glazing Gasket	(16xGW)+(16xGH)
mt	EP1-01		DIŞ CAM FİTİLİ / Outer Glazing Gasket	(16xGW)+(16xGH)
mt	EP3-03		KANAT BİNİ FİTİLİ / Sash Gasket	2XSH+2XFW
mt	KF 67-550		FİRÇA FİTİL / Brush Gasket - 5,5mm	32XSW
mt	EP62-01		ORTA BİNİ FİTİLİ / Gasket For Open Joint	32XSH

#### AKSESUARLAR / ACCESSORIES

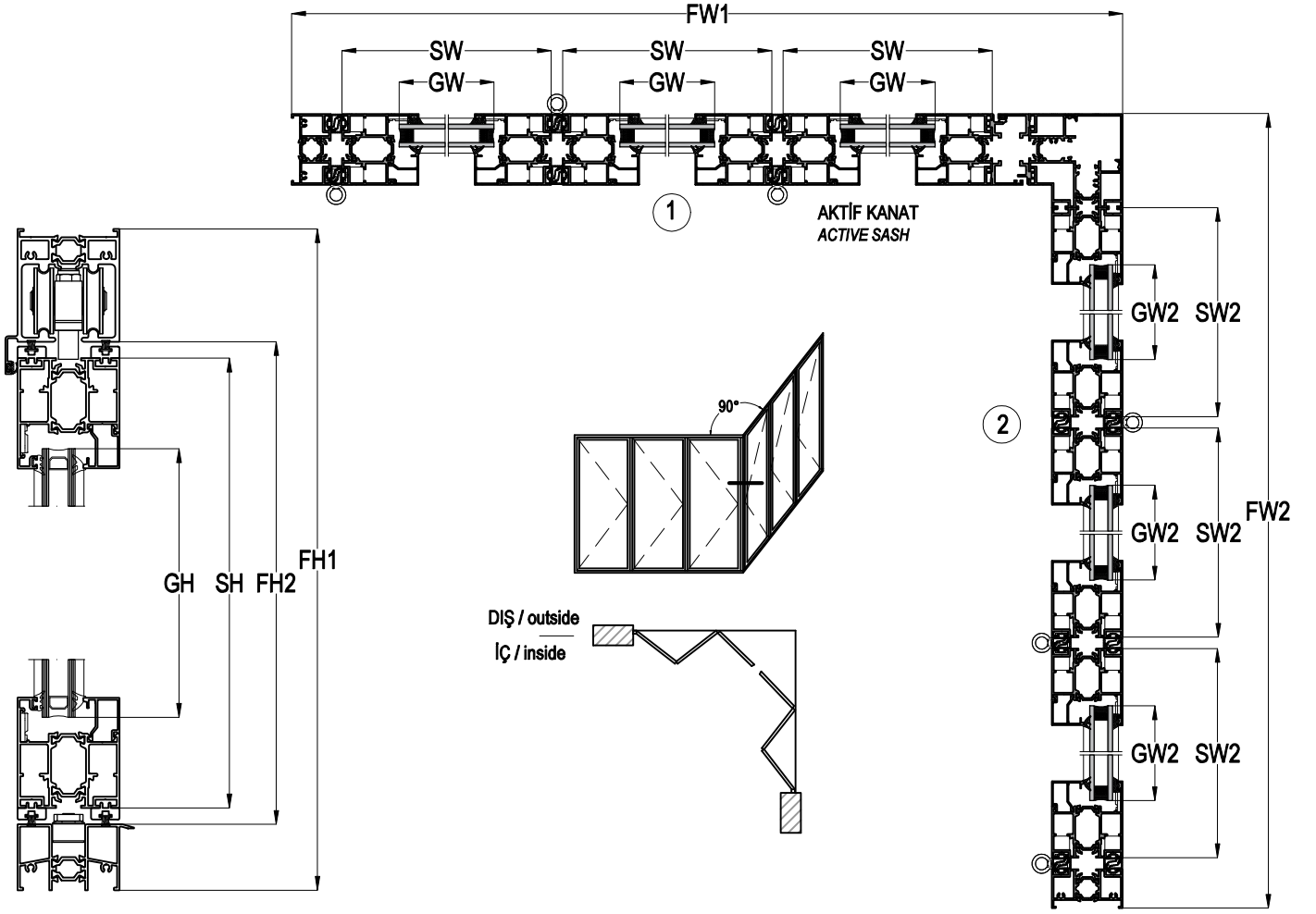
64 Adet / Pcs	ASI-PB 1214		PİMLİ KÖŞE BAĞLANTI / Corner Joint	
32 Adet / Pcs	ASI-FUJİ 2000		AYARLI KÖŞE GÖNYESİ / Corner Alignment	
26 Adet / Pcs	FDA-H 003		ARA MENTEŞE / Standart Hinge	
3 Adet / Pcs	FDA-H 004		ÇEKME KOL / Pull Handle	
2 Adet / Pcs	FDA-H 002		ALT MENTEŞE / Bottom Hinge	
3 Adet / Pcs	FDA-H 001		ÜST MENTEŞE / Top Hinge	
1 Adet / Pcs	ASI-DH 002		KAPI KOLU / Door Handle	
1 Adet / Pcs	ASI-LS 314890		İSPANYOLET KİLİTLEME / Multi P. Look With Key	
1 Adet / Pcs	ASI-LS 301645		İSPANYOLET KİLİT KARŞILIĞI / Look Str. For Multi P.	
1 Adet / Pcs	ASI-BRL 90S		90'LİK SİMETRİK BAREL / Symetric Cylinder 90	
3 Adet / Pcs	FDA-GB 01		ÇİFT YÖNLÜ KİLİTLEME / Gear Box - Two Way	
4 Adet / Pcs	FDA-B 01		SURGU KİLİTLEME / Folding Bolt	
2 Adet / Pcs	FDA-B 02		SURGU KİLİTLEME KOLU / Folding Bolt Handle	
3 Adet / Pcs	FDA-K 01		ÇİFT YÖNLÜ KİLİTLEME KOLU / Gear Box Handle	
3 Adet / Pcs	ASI-314750		TİJ PİMİ / Rod Profile Locking	
3 Adet / Pcs	ASI-311100		TİJ PİMİ KARŞILIK / Rod Profile Strike	
4 Adet / Pcs	12-41		TİJ PROFİLİ / Espag Rod	TH1=HH-120
4 Adet / Pcs	12-41		TİJ PROFİLİ / Espag Rod	TH2=SH-HH-120
X Adet / Pcs	FDA-M 01		ÜST KASA MONTAJ PARÇASI / Frame Fixed Part	X=FW/300mm



# FDT62

YALITIMLI KATLANIR KAPI SİSTEMİ  
THERMAL FOLDING DOOR SYSTEM

## ASISTAL



KASA PROFİLİ Frame Profile	KANAT PROFİLİ Sash Profile	KESİM ÖLÇÜLERİ Cutting Sizes
① FDT62 01 FDT62 02 FDT62 03 FDT62 04 FDT62 05 FDT62 06 FDT62 07	FDT62 11 FDT62 12	$SW = \frac{FW1 - 148mm - (10mm \times SP)}{SP}$ GW=SW-100 mm SH=FH1-132,5 mm GH=SH-100 mm FH2=FH1-108,5mm
② FDT62 01 FDT62 02 FDT62 03 FDT62 04 FDT62 05 FDT62 06 FDT62 07	FDT62 11 FDT62 12	$SW2 = \frac{FW2 - 116mm - (10mm \times SP)}{SP}$ GW2=SW2-100 mm SH=FH1-132,5 mm GH=SH-100 mm FH2=FH1-108,5mm

FW= KASA GENİŞLİĞİ / FRAME WIDTH  
SW= KANAT GENİŞLİĞİ / SASH WIDTH  
GW= CAM GENİŞLİĞİ / GLASS WIDTH  
SP = KANAT ADEDİ / SASH PIECES

FH= KASA YÜKSEKLİĞİ / FRAME HEIGHT  
SH= KANAT YÜKSEKLİĞİ / SASH HEIGHT  
GH= CAM YÜKSEKLİĞİ / GLASS HEIGHT

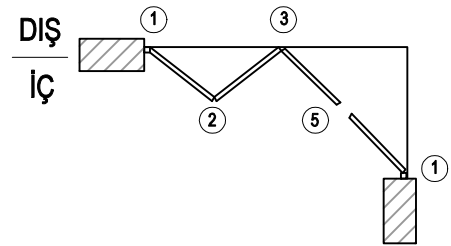
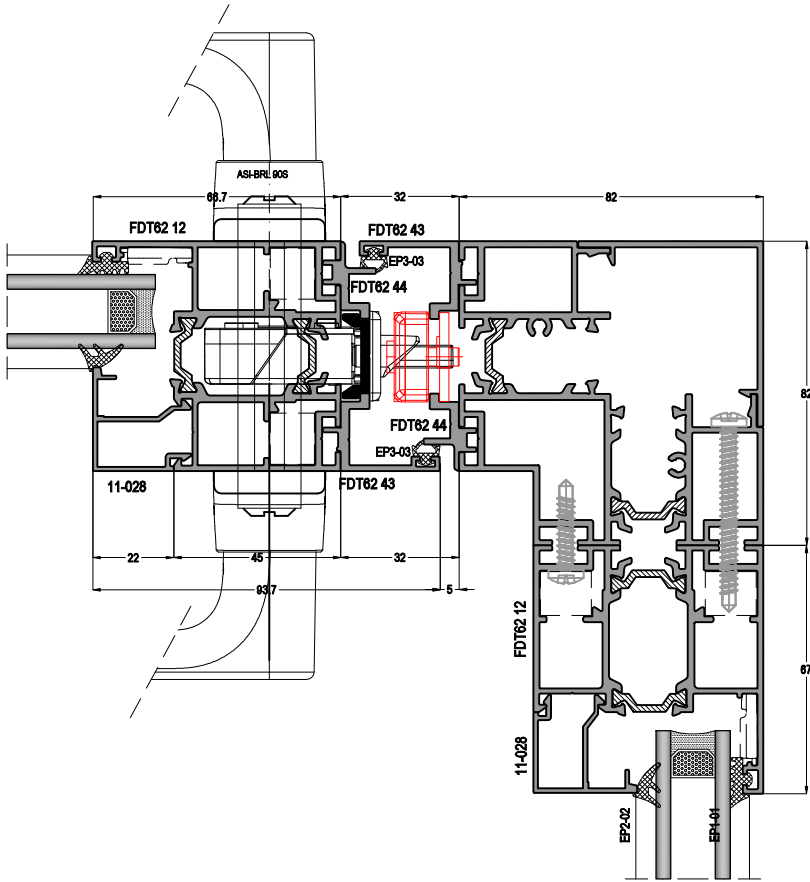
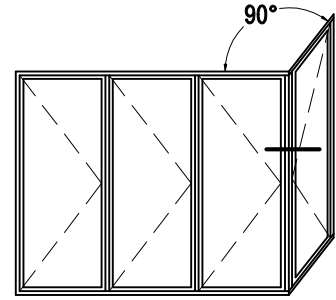
# FDT62

YALITIMLI KATLANIR KAPI SİSTEMİ  
THERMAL FOLDING DOOR SYSTEM



90° KÖŞE DÖNÜŞ AÇILIM - İSPANYOLET KİLİTLEMeye GÖRE -  
90° CORNER JOINT OPENING - MULTI POINT LOCK

3+1 KANAT AKSESUAR DETAYLARI  
3+1 SASH ACCESSORIES DETAILS



AKSESUAR ACCESSORIES	SİSTEM KODU SYSTEM CODE	ADET PCS	AKSESUAR ACCESSORIES	SİSTEM KODU SYSTEM CODE	ADET PCS
	FDA-H 003	14		FDA-GB 01	1
	FDA-H 002	1		FDA-B 01	2
	FDA-H 001	1		FDA-K 01	1
	FDA-H 004	1		FDA-B 02	2
	ASI-DH 002	1		ASI-FUJII 2000	16
	ASI-LS 314890	1		ASI-PB 1214	32
	ASI-LS 301645	1		ASI-RP 314750	3
	ASI-BRL 90S	1		ASI-RS 311100	3
	FDA-B 03	2			



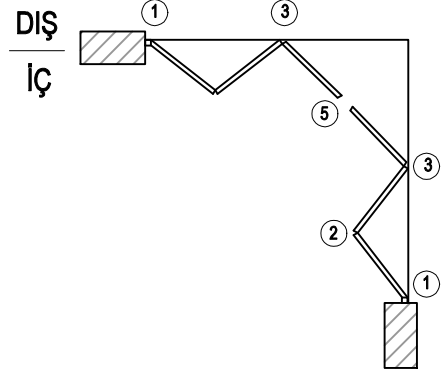
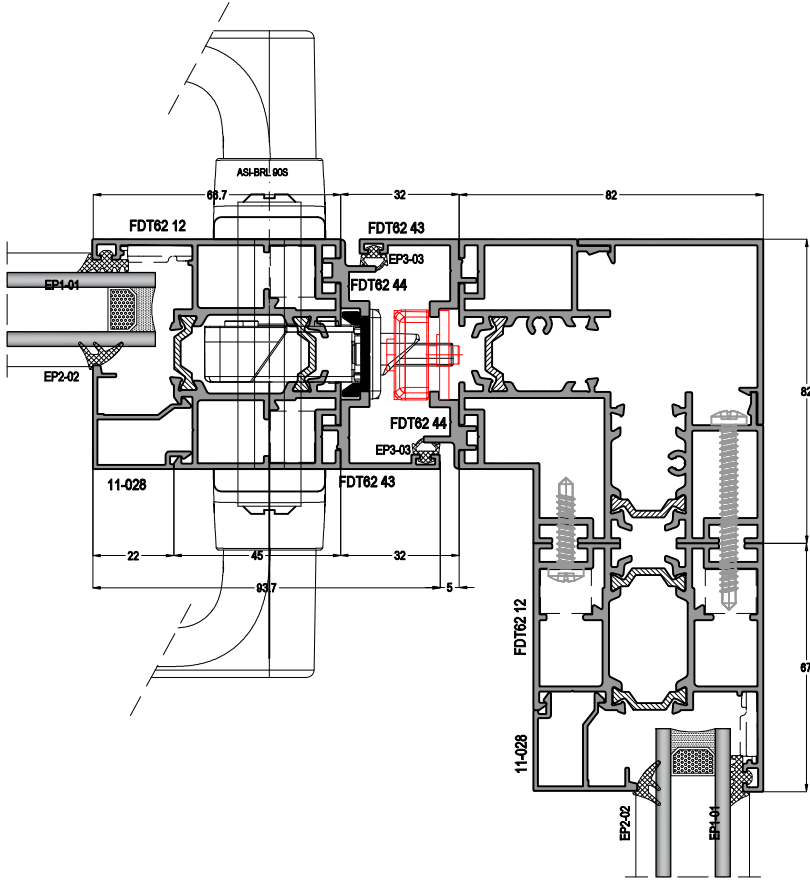
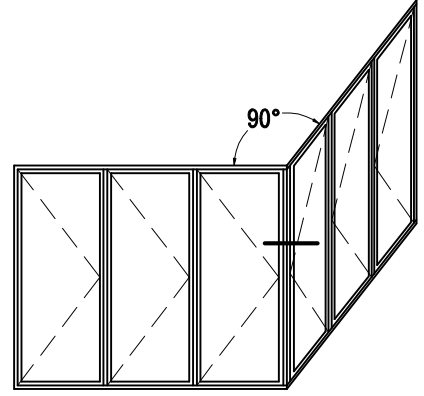
# FDT62

YALITIMLI KATLANIR KAPI SİSTEMİ  
THERMAL FOLDING DOOR SYSTEM



90° KÖŞE DÖNÜŞ AÇILIM - İSPANYOLET KİLİTLEMeye GÖRE  
90° CORNER JOINT OPENING - MULTI POINT LOCK

3+3 KANAT AKSESUAR DETAYLARI  
3+3 SASH ACCESSORIES DETAILS



AKSESUAR ACCESSORIES	SİSTEM KODU SYSTEM CODE	ADET PCS	AKSESUAR ACCESSORIES	SİSTEM KODU SYSTEM CODE	ADET PCS
	FDA-H 003	20		FDA-GB 01	2
	FDA-H 002	2		FDA-B 01	3
	FDA-H 001	2		FDA-K 01	2
	FDA-H 004	2		FDA-B 02	2
	ASI-DH 002	1		ASI-FUJII 2000	24
	ASI-LS 314890	1		ASI-PB 1214	48
	ASI-LS 301645	1		ASI-RP 314750	3
	ASI-BRL 90S	1		ASI-RS 311100	3
	FDA-B 03	2			

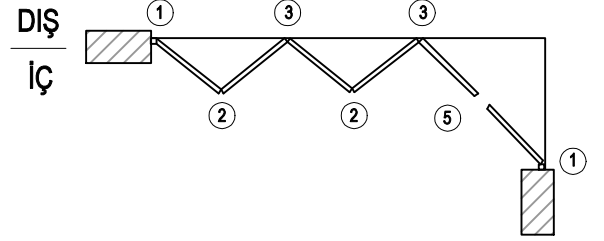
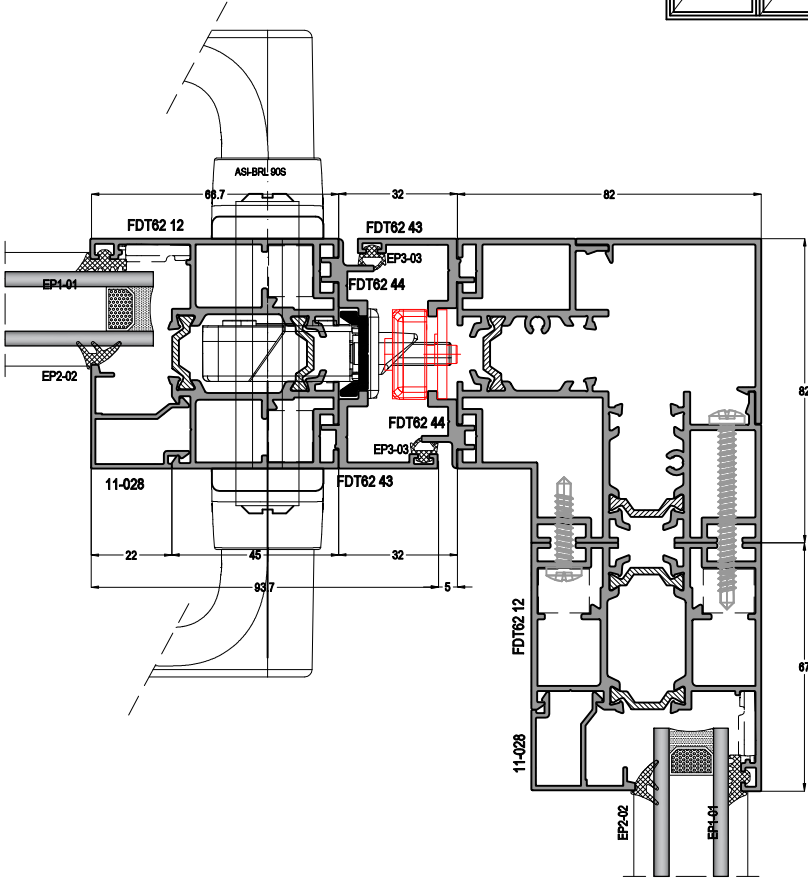
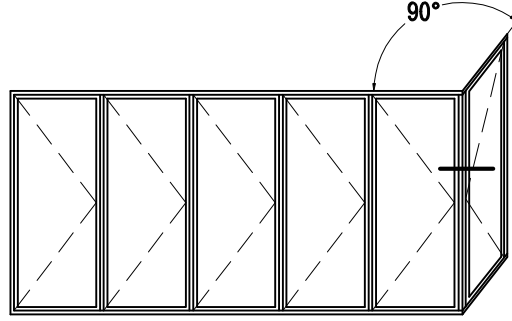
# FDT62

YALITIMLI KATLANIR KAPI SİSTEMİ  
THERMAL FOLDING DOOR SYSTEM



## 90° KÖŞE DÖNÜŞ AÇILIM - İSPANYOLET KİLİTLEMeye GÖRE 90° CORNER JOINT OPENING - MULTI POINT LOCK

### 5+1 KANAT AKSESUAR DETAYLARI 5+1 SASH ACCESSORIES DETAILS

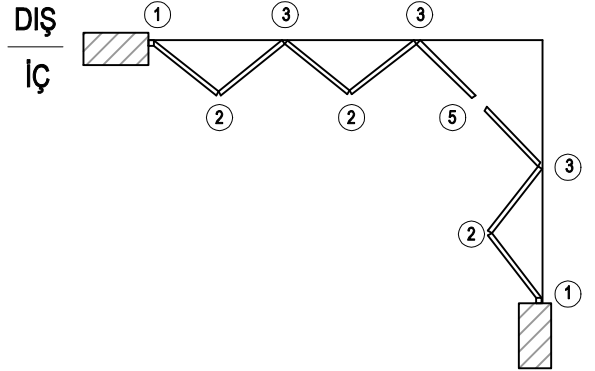
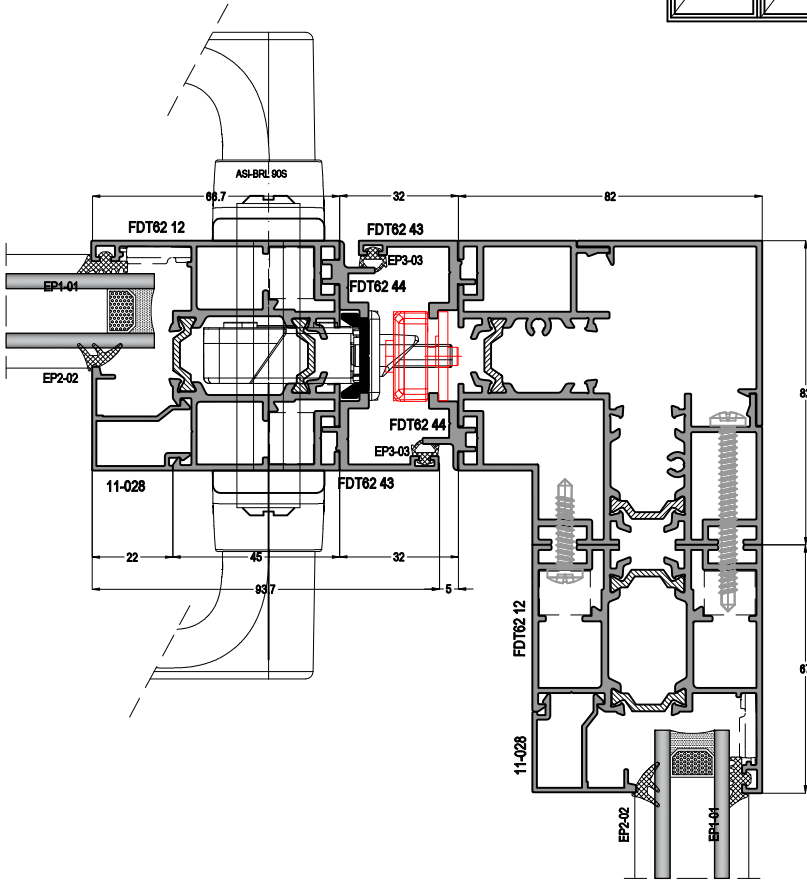
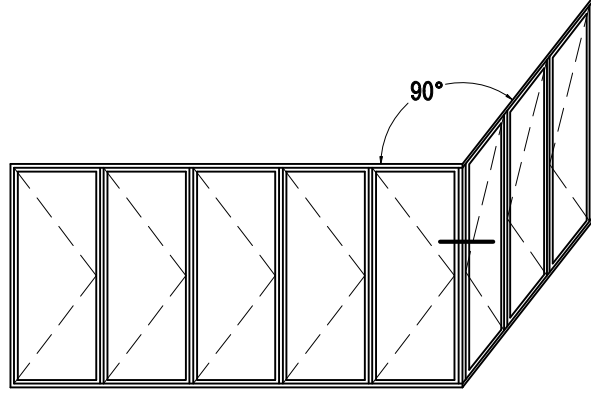


AKSESUAR ACCESSORIES	SİSTEM KODU SYSTEM CODE	ADET PCS	AKSESUAR ACCESSORIES	SİSTEM KODU SYSTEM CODE	ADET PCS
	FDA-H 003	20		FDA-GB 01	2
	FDA-H 002	2		FDA-B 01	3
	FDA-H 001	2		FDA-K 01	3
	FDA-H 004	2		FDA-B 02	2
	ASI-DH 002	1		ASI-FUJII 2000	32
	ASI-LS 314890	1		ASI-PB 1214	48
	ASI-LS 301645	1		ASI-RP 314750	3
	ASI-BRL 90S	1		ASI-RS 311100	3
	FDA-B 03	2			

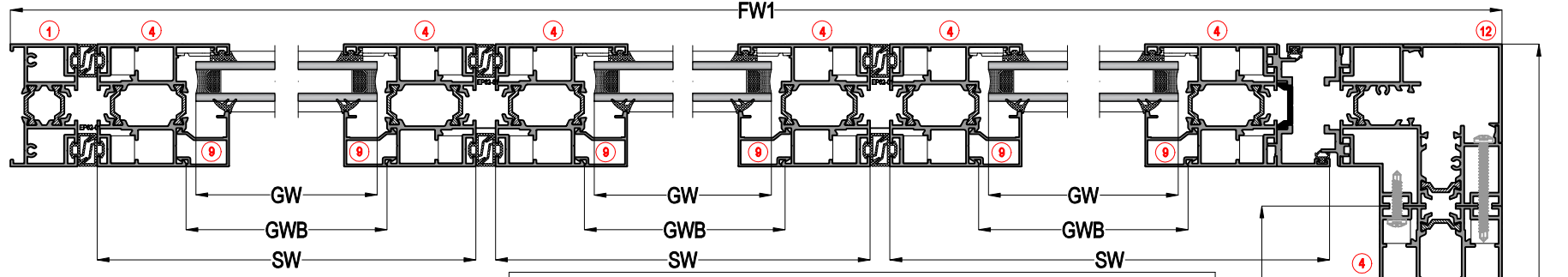
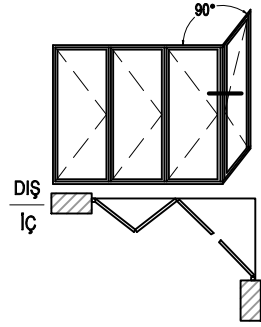


### 90° KÖŞE DÖNÜŞ AÇILIM - İSPANYOLET KİLİTLEMeye GÖRE 90° CORNER JOINT OPENING - MULTI POINT LOCK

#### 5+3 KANAT AKSESUAR DETAYLARI 5+3 SASH ACCESSORIES DETAILS



AKSESUAR ACCESSORIES	SİSTEM KODU SYSTEM CODE	ADET PCS	AKSESUAR ACCESSORIES	SİSTEM KODU SYSTEM CODE	ADET PCS
	FDA-H 003	26		FDA-GB 01	3
	FDA-H 002	3		FDA-B 01	4
	FDA-H 001	3		FDA-K 01	3
	FDA-H 004	3		FDA-B 02	2
	ASI-DH 002	1		ASI-FUJII 2000	32
	ASI-LS 314890	1		ASI-PB 1214	64
	ASI-LS 301645	1		ASI-RP 314750	3
	ASI-BRL 90S	1		ASI-RS 311100	3
	FDA-B 03	2			



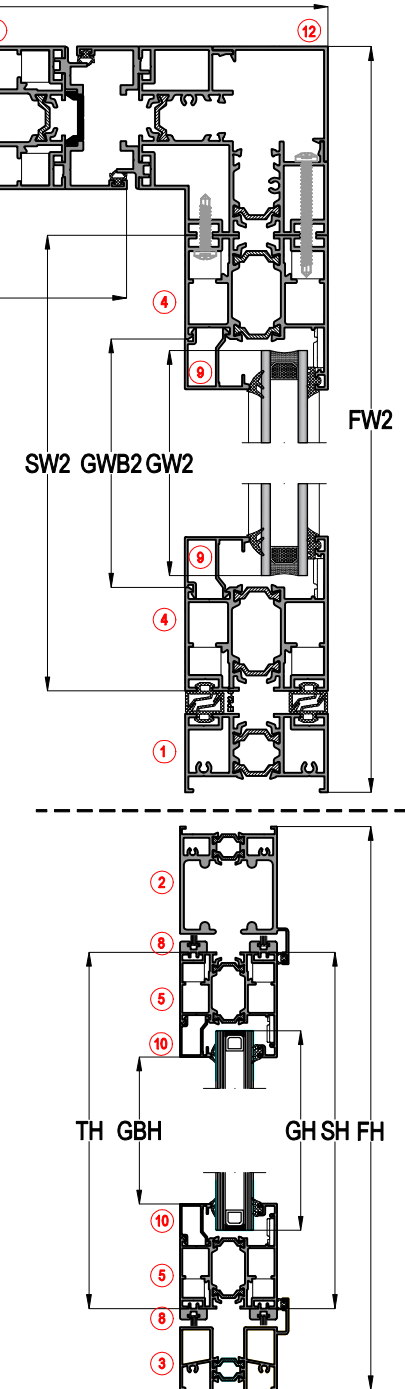
3+1 KANAT KANAT KESİM ÖLÇÜLERİ  
3+1 SASH CUTTING LIST

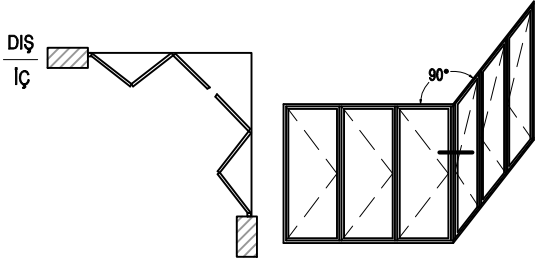
PROFİLLER / PROFILES					
NO / Number	ADET / Unit	KOD / Code	PROFİL ÇİZİMİ / Drawing	PROFİL TANIMI / Description	KESİM ÖLÇÜSÜ / Cutting Dimensions
1	2	FDT62 01		DÜŞEY KASA PROFİLİ / Vertical Frame Profile	FH=108,5
2	1	FDT62 02		ÜST YATAY KASA PROFİLİ / Top Horizontal Frame Profile	FW1
2	1	FDT62 02		ÜST YATAY KASA PROFİLİ / Top Horizontal Frame Profile	FW2
3	1	FDT62 06		ALT YATAY KASA PROFİLİ / Bottom Horizontal Frame Profile	FW1
3	1	FDT62 06		ALT YATAY KASA PROFİLİ / Bottom Horizontal Frame Profile	FW2
4	6	FDT62 11		YATAY KANAT PROFİLİ / Horizontal Frame Profile	SW1=(FW-148-(10X3))X3
4	2	FDT62 11		YATAY KANAT PROFİLİ / Horizontal Frame Profile	SW2=(FW-116-(10X1))X1
5	8	FDT62 11		DÜŞEY KANAT PROFİLİ / Vertical Frame Profile	SH=132,5
6	2	FDT62 43		KAPI ADAPTOR PROFİLİ / Door Adapter Profile	SH+14
7	2	FDT62 44		KAPI ADAPTOR PROFİLİ / Door Adapter Profile	SH+14
8	12	FDT62 42		KİL FİTİL ADAPTOR PRO. / Brush Adapter Profile	SW
8	4	FDT62 42		KİL FİTİL ADAPTOR PRO. / Brush Adapter Profile	SW2
10	6	11-020		YATAY CAM ÇİTASI / Horizontal Glazing Bead	GBW=SW-90
9	8	11-020		DÜŞEY CAM ÇİTASI / Vertical Glazing Bead	GBH=SH-133,7
10	2	11-020		YATAY CAM ÇİTASI / Horizontal Glazing Bead	GBW2=SW2-90
11	1	12-62		TÜJ PROFİLİ / Connecting Rod	SH-250
12	1	FDT62 51		90° KÖŞE PROFİLİ / 90° Corner Profile	SH
	1	03-050050-15		L PROFİLİ / L Profile	40mm

CAM KESİM ÖLÇÜLERİ / GLASS CUTTING SIZES		
KOD / Code	TANIMI / Description	KESİM ÖLÇÜSÜ / Cutting Dimensions
GW	CAM GENİŞLİK / Sash Glass Width	GW=SW-100
GH	CAM YÜKSEKLİK / Sash Glass Height	GH=SH-100

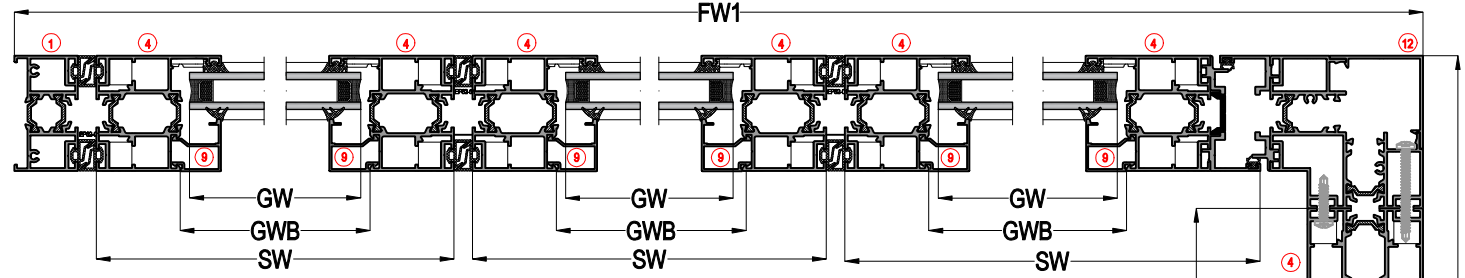
FİTİLLER / GASKETS				
MIKTAR / Unit	KOD / Code	PROFİL ÇİZİMİ / Drawing	PROFİL TANIMI / Description	KESİM ÖLÇÜSÜ / Cutting Dimensions
mt	EP2-01		İÇ CAM FİTİLİ / Inner Glazing Gasket	(6xGW)+(6xGH)+(2xGW2+2xGH2)
mt	EP1-01		DIŞ CAM FİTİLİ / Outer Glazing Gasket	(6xGW)+(6xGH)+(2xGW2+2xGH2)
mt	EP3-03		KANAT BİNİ FİTİLİ / Sash Gasket	2XSH+2X(FW1+FW2)
mt	KF 67-550		FİRÇA FİTİL / Brush Gasket - 5,5mm	(12XSW)+(4XSW2)
mt	EP62-01		ORTA BİNİ FİTİLİ / Gasket For Open Joint	16XSH

AKSESUARLAR / ACCESSORIES				
MIKTAR / Unit	KOD / Code	PROFİL ÇİZİMİ / Drawing	AKSESUAR TANIMI / Description	ÖLÇÜLERİ / Dimensions
32 Adet / Pcs	ASI-PB 1214		PİMLİ KÖŞE BAĞLANTI / Corner Joint	
2 Adet / Pcs	ASI-KT 1606		KÖŞE TAKOZU / Corner Joint	
2 Adet / Pcs	ASI-KT 1819		KÖŞE TAKOZU / Corner Joint	
16 Adet / Pcs	ASI-FUJİ 2000		AYARLI KÖŞE GÖNYESİ / Corner Alignment	
14 Adet / Pcs	FDA-H 003		ARA MENTEŞE / Standart Hinge	
1 Adet / Pcs	FDA-H 004		ÇEKME KOL / Pull Handle	
1 Adet / Pcs	FDA-H 002		ALT MENTEŞE / Bottom Hinge	
1 Adet / Pcs	FDA-H 001		ÜST MENTEŞE / Top Hinge	
1 Adet / Pcs	ASI-DH 002		KAPI KOLU / Door Handle	
1 Adet / Pcs	ASI-LS 314890		İSPANYOLET KİLİTLEME / Multi P. Look With Key	
1 Adet / Pcs	ASI-LS 301645		İSPANYOLET KİLİT KARŞILIĞI / Look Str. For Multi P.	
1 Adet / Pcs	ASI-BRL 90S		90° LİK SİMETRİK BAREL / Symetric Cylinder 90	
1 Adet / Pcs	FDA-GB 01		ÇİFT YÖNLÜ KİLİTLEME / Gear Box - Two Way	
1 Adet / Pcs	FDA-B 01		SURGU KİLİTLEME / Folding Bolt	
2 Adet / Pcs	FDA-B 02		SURGU KİLİTLEME / Folding Bolt	
2 Adet / Pcs	FDA-B 03		KÖŞE KAPAK / Cover For Corner	
1 Adet / Pcs	FDA-K 01		ÇİFT YÖNLÜ KİLİTLEME KOLU / Gear Box Handle	
3 Adet / Pcs	ASI-314750		TÜJ PİMİ / Rod Profile Locking	
3 Adet / Pcs	ASI-311100		TÜJ PİMİ KARŞILIK / Rod Profile Strike	
1 Adet / Pcs	12-41		TÜJ PROFİLİ / Espag Rod	TH1=HH-126
1 Adet / Pcs	12-41		TÜJ PROFİLİ / Espag Rod	TH2=SH-HH-126
X Adet / Pcs	FDA-M 01		ÜST KASA MONTAJ PARÇASI / Frame Fixed Part	X=FW/300mm





3+3 KANAT KANAT KESİM ÖLÇÜLERİ  
3+3 SASH CUTTING LIST



PROFİLLER / PROFILES

NO / Number	ADET / Unit	KOD / Code	PROFİL ÇİZİMİ / Drawing	PROFİL TANIMI / Description	KESİM ÖLÇÜSÜ / Cutting Dimensions
1	2	FDT62 01		DÜŞEY KASA PROFİLİ / Vertical Frame Profile	FH=108,5
2	1	FDT62 02		ÜST YATAY KASA PROFİLİ / Top Horizontal Frame Profile	FW1
2	1	FDT62 02		ÜST YATAY KASA PROFİLİ / Top Horizontal Frame Profile	FW2
3	1	FDT62 06		ALT YATAY KASA PROFİLİ / Bottom Horizontal Frame Profile	FW1
3	1	FDT62 06		ALT YATAY KASA PROFİLİ / Bottom Horizontal Frame Profile	FW2
4	6	FDT62 11		YATAY KANAT PROFİLİ / Horizontal Frame Profile	SW=(FW-148-(10X3))3
4	6	FDT62 11		YATAY KANAT PROFİLİ / Horizontal Frame Profile	SW2=(FW-116-(10X3))3
4	12	FDT62 11		DÜŞEY KANAT PROFİLİ / Vertical Frame Profile	SH=FW-132,5
6	2	FDT62 43		KAPI ADAPTOR PROFİLİ / Door Adapter Profile	SH+14
7	2	FDT62 44		KAPI ADAPTOR PROFİLİ / Door Adapter Profile	SH+14
8	12	FDT62 42		KİL FİTİL ADAPTOR PRO. / Brush Adapter Profile	SW
8	12	FDT62 42		KİL FİTİL ADAPTOR PRO. / Brush Adapter Profile	SW2
10	6	11-020		YATAY CAM ÇİTASI / Horizontal Glazing Bead	GBW=SW-90
9	12	11-020		DÜŞEY CAM ÇİTASI / Vertical Glazing Bead	GBH=SH-133,7
10	6	11-020		YATAY CAM ÇİTASI / Horizontal Glazing Bead	GBW2=SW2-90
11	1	12-62		TÜJ PROFİLİ / Connecting Rod	SH-250
12	1	FDT62 51		90° KÖŞE PROFİLİ / 90° Corner Profile	SH
	1	03-050050-15		L PROFİLİ / L Profile	40mm

CAM KESİM ÖLÇÜLERİ / GLASS CUTTING SIZES

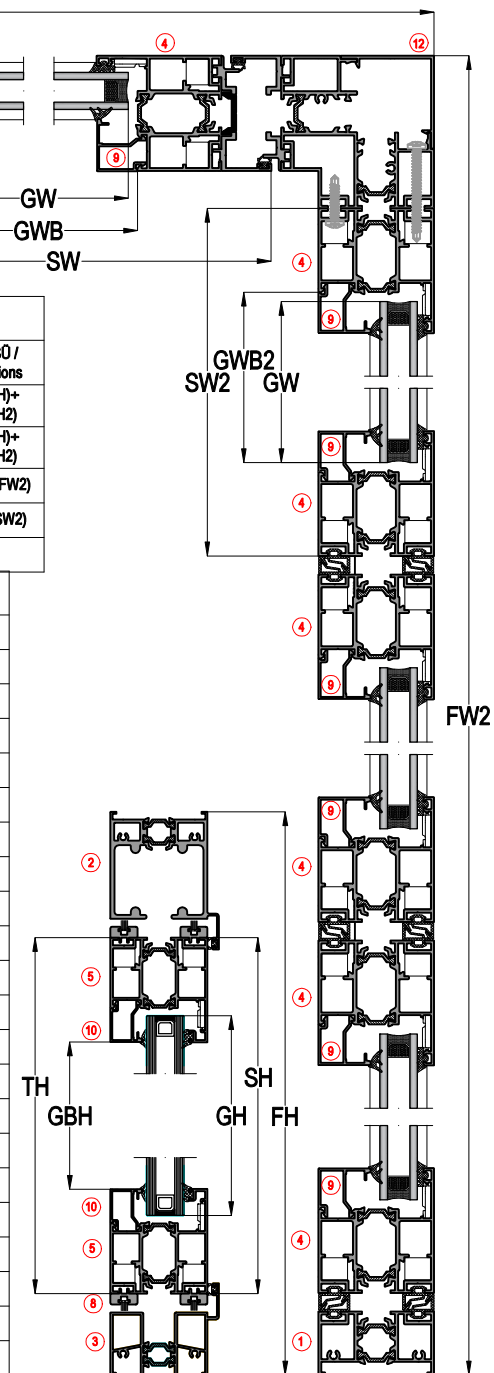
KOD / Code	TANIMI / Description	KESİM ÖLÇÜSÜ / Cutting Dimensions
GW	CAM GENİŞLİK / Sash Glass Width	GW=SW-100
GH	CAM YÜKSEKLİK / Sash Glass Height	GH=SH-100

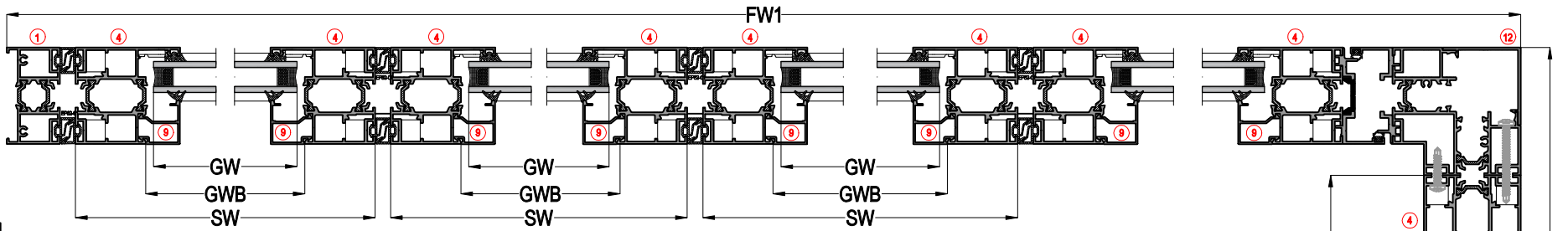
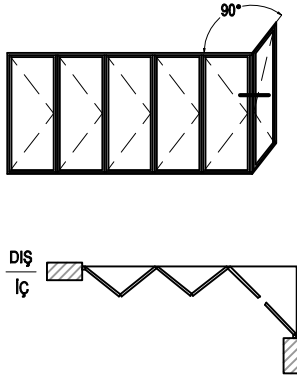
FİTİLLER / GASKETS

MIKTAR / Unit	KOD / Code	PROFİL ÇİZİMİ / Drawing	PROFİL TANIMI / Description	KESİM ÖLÇÜSÜ / Cutting Dimensions
mt	EP2-01		İÇ CAM FİTİLİ / Inner Glazing Gasket	(6xGW)+(6xGH)+ (6xGW2+6xGH2)
mt	EP1-01		DIŞ CAM FİTİLİ / Outer Glazing Gasket	(6xGW)+(6xGH)+ (6xGW2+6xGH2)
mt	EP3-03		KANAT BİNİ FİTİLİ / Sash Gasket	2XSH+2X(FW1+FW2)
mt	KF 67-550		FİRÇA FİTİL / Brush Gasket - 5,5mm	(12XSW)+(12XSW2)
mt	EP62-01		ORTA BİNİ FİTİLİ / Gasket For Open Joint	24XSH

AKSESUARLAR / ACCESSORIES

48 Adet / Pcs	ASI-PB 1214		PİMLİ KÖŞE BAĞLANTI / Corner Joint	
2 Adet / Pcs	ASI-KT 1606		KÖŞE TAKOZU / Corner Joint	
2 Adet / Pcs	ASI-KT 1819		KÖŞE TAKOZU / Corner Joint	
24 Adet / Pcs	ASI-FUJİ 2000		AYARLI KÖŞE GÖNYESİ / Corner Alignment	
20 Adet / Pcs	FDA-H 003		ARA MENTEŞE / Standart Hinge	
2 Adet / Pcs	FDA-H 004		ÇEKME KOL / Pull Handle	
2 Adet / Pcs	FDA-H 002		ALT MENTEŞE / Bottom Hinge	
2 Adet / Pcs	FDA-H 001		ÜST MENTEŞE / Top Hinge	
2 Adet / Pcs	ASI-DH 002		KAPI KOLU / Door Handle	
1 Adet / Pcs	ASI-LS 314890		İSPANYOLET KİLİTLEME / Multi P. Look With Key	
1 Adet / Pcs	ASI-LS 301645		İSPANYOLET KİLİT KARŞILIĞI / Look Str. For Multi P.	
1 Adet / Pcs	ASI-BRL 90S		90°LİK SİMETRİK BAREL / Symetric Cylinder 90	
2 Adet / Pcs	FDA-GB 01		ÇİFT YÖNLÜ KİLİTLEME / Gear Box - Two Way	
3 Adet / Pcs	FDA-B 01		SURGU KİLİTLEME / Folding Bolt	
2 Adet / Pcs	FDA-B 02		SURGU KİLİTLEME / Folding Bolt	
2 Adet / Pcs	FDA-B 03		KÖŞE KAPAK / Cover For Corner	
2 Adet / Pcs	FDA-K 01		ÇİFT YÖNLÜ KİLİTLEME KOLU / Gear Box Handle	
3 Adet / Pcs	ASI-314750		TÜJ PİMİ / Rod Profile Locking	
3 Adet / Pcs	ASI-311100		TÜJ PİMİ KARŞILIK / Rod Profile Strike	
1 Adet / Pcs	12-41		TÜJ PROFİLİ / Espag Rod	TH1=HH-126
1 Adet / Pcs	12-41		TÜJ PROFİLİ / Espag Rod	TH2=SH-HH-126
X Adet / Pcs	FDA-M 01		ÜST KASA MONTAJ PARÇASI / Frame Fixed Part	X=FW/300mm





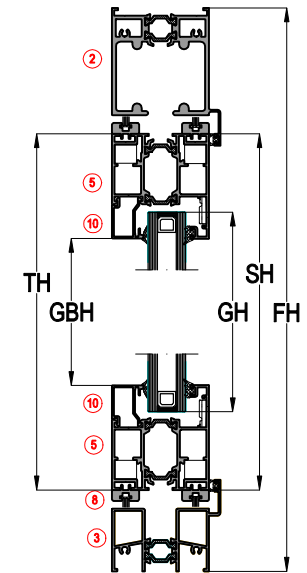
### 5+1 KANAT KANAT KESİM ÖLÇÜLERİ 5+1 SASH CUTTING LIST

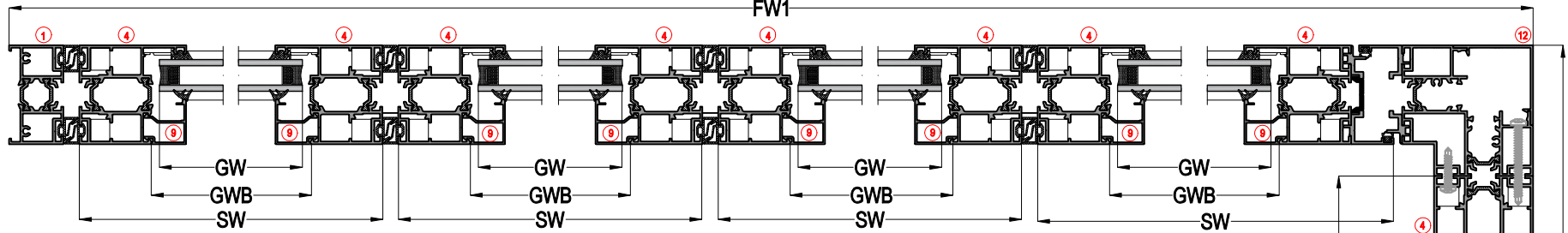
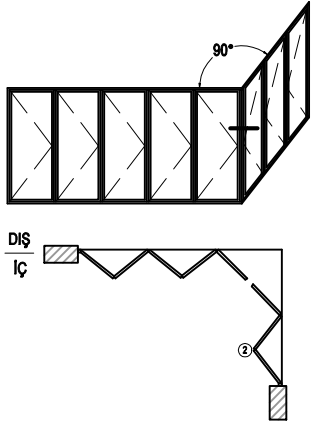
PROFİLLER / PROFILES					
NO / Number	ADET / Unit	KOD / Code	PROFİL ÇİZİMİ / Drawing	PROFİL TANIMI / Description	KESİM ÖLÇÜSÜ / Cutting Dimensions
1	2	FDT62 01		DÜŞEY KASA PROFİLİ / Vertical Frame Profile	FH=108,5
2	1	FDT62 02		ÜST YATAY KASA PROFİLİ / Top Horizontal Frame Profile	FW1
2	1	FDT62 02		ÜST YATAY KASA PROFİLİ / Top Horizontal Frame Profile	FW2
3	1	FDT62 06		ALT YATAY KASA PROFİLİ / Bottom Horizontal Frame Profile	FW1
3	1	FDT62 06		ALT YATAY KASA PROFİLİ / Bottom Horizontal Frame Profile	FW2
4	10	FDT62 11		YATAY KANAT PROFİLİ / Horizontal Frame Profile	SW=(FW-148-(10X5))/6
4	2	FDT62 11		YATAY KANAT PROFİLİ / Horizontal Frame Profile	SW2=(FW-116-(10X1))/4
4	12	FDT62 11		DÜŞEY KANAT PROFİLİ / Vertical Frame Profile	SH=FH-132,5
6	2	FDT62 43		KAPI ADAPTOR PROFİLİ / Door Adapter Profile	SH+14
7	2	FDT62 44		KAPI ADAPTOR PROFİLİ / Door Adapter Profile	SH+14
8	20	FDT62 42		KİL FİTİL ADAPTOR PRO. / Brush Adapter Profile	SW
8	4	FDT62 42		KİL FİTİL ADAPTOR PRO. / Brush Adapter Profile	SW2
10	10	11-020		YATAY CAM ÇİTASI / Horizontal Glazing Bead	GBW=SW-90
9	12	11-020		DÜŞEY CAM ÇİTASI / Vertical Glazing Bead	GBH=SH-133,7
10	2	11-020		YATAY CAM ÇİTASI / Horizontal Glazing Bead	GBW2=SW2-90
11	1	12-62		TÜJ PROFİLİ / Connecting Rod	SH-250
12	1	FDT62 51		90° KÖŞE PROFİLİ / 90° Corner Profile	SH
	1	03-050050-15		L PROFİLİ / L Profile	40mm

CAM KESİM ÖLÇÜLERİ / GLASS CUTTING SIZES		
KOD / Code	TANIMI / Description	KESİM ÖLÇÜSÜ / Cutting Dimensions
GW	CAM GENİŞLİK / Sash Glass Width	GW=SW-100
GH	CAM YÜKSEKLİK / Sash Glass Height	GH=SH-100

FİTİLLER / GASKETS					
MIKTAR / Unit	KOD / Code	PROFİL ÇİZİMİ / Drawing	PROFİL TANIMI / Description	KESİM ÖLÇÜSÜ / Cutting Dimensions	
mt	EP2-01		İÇ CAM FİTİLİ / Inner Glazing Gasket	(10xGW)+(10xGH)+(2xGW2+2xGH2)	
mt	EP1-01		DIŞ CAM FİTİLİ / Outer Glazing Gasket	(10xGW)+(10xGH)+(2xGW2+2xGH2)	
mt	EP3-03		KANAT BİNİ FİTİLİ / Sash Gasket	2XSH+2X(FW1+FW2)	
mt	KF 67-550		FİRÇA FİTİL / Brush Gasket - 5,5mm	(20XSW)+(4XSW2)	
mt	EP62-01		ORTA BİNİ FİTİLİ / Gasket For Open Joint	20XSH	

AKSESUARLAR / ACCESSORIES					
48 Adet / Pcs	ASI-PB 1214		PİMLİ KÖŞE BAĞLANTI / Corner Joint		
2 Adet / Pcs	ASI-KT 1606		KÖŞE TAKOZU / Corner Joint		
2 Adet / Pcs	ASI-KT 1819		KÖŞE TAKOZU / Corner Joint		
24 Adet / Pcs	ASI-FUJİ 2000		AYARLI KÖŞE GÖNYESİ / Corner Alignment		
20 Adet / Pcs	FDA-H 003		ARA MENTEŞE / Standart Hinge		
2 Adet / Pcs	FDA-H 004		ÇEKME KOL / Pull Handle		
2 Adet / Pcs	FDA-H 002		ALT MENTEŞE / Bottom Hinge		
2 Adet / Pcs	FDA-H 001		ÜST MENTEŞE / Top Hinge		
1 Adet / Pcs	ASI-DH 002		KAPI KOLU / Door Handle		
1 Adet / Pcs	ASI-LS 314890		İSPANYOLET KİLİTLEME / Multi P. Look With Key		
1 Adet / Pcs	ASI-LS 301645		İSPANYOLET KİLİT KARŞILIĞI / Look Str. For Multi P.		
1 Adet / Pcs	ASI-BRL 90S		90° LİK SİMETRİK BAREL / Symetric Cylinder 90		
2 Adet / Pcs	FDA-GB 01		ÇİFT YÖNLÜ KİLİTLEME / Gear Box - Two Way		
3 Adet / Pcs	FDA-B 01		SURGU KİLİTLEME / Folding Bolt		
2 Adet / Pcs	FDA-B 02		SURGU KİLİTLEME / Folding Bolt		
2 Adet / Pcs	FDA-B 03		KÖŞE KAPAK / Cover For Corner		
2 Adet / Pcs	FDA-K 01		ÇİFT YÖNLÜ KİLİTLEME KOLU / Gear Box Handle		
3 Adet / Pcs	ASI-314750		TÜJ PİMİ / Rod Profile Locking		
3 Adet / Pcs	ASI-311100		TÜJ PİMİ KARŞILIK / Rod Profile Strike		
1 Adet / Pcs	12-41		TÜJ PROFİLİ / Espag Rod	TH1=HH-126	
1 Adet / Pcs	12-41		TÜJ PROFİLİ / Espag Rod	TH2=SH+HH-126	
X Adet / Pcs	FDA-M 01		ÜST KASA MONTAJ PARÇASI / Frame Fixed Part	X=FW/300mm	





### 5+3 KANAT KANAT KESİM ÖLÇÜLERİ 5+3 SASH CUTTING LIST

#### PROFİLLER / PROFILES

NO / Number	ADET / Unit	KOD / Code	PROFİL ÇİZİMİ / Drawing	PROFİL TANIMI / Description	KESİM ÖLÇÜSÜ / Cutting Dimensions
1	2	FDT62 01		DÜŞEY KASA PROFİLİ / Vertical Frame Profile	FH=108,5
2	1	FDT62 02		ÜST YATAY KASA PROFİLİ / Top Horizontal Frame Profile	FW1
2	1	FDT62 02		ÜST YATAY KASA PROFİLİ / Top Horizontal Frame Profile	FW2
3	1	FDT62 06		ALT YATAY KASA PROFİLİ / Bottom Horizontal Frame Profile	FW1
3	1	FDT62 06		ALT YATAY KASA PROFİLİ / Bottom Horizontal Frame Profile	FW2
4	10	FDT62 11		YATAY KANAT PROFİLİ / Horizontal Frame Profile	SW=(FW-148-(10X3))3
4	6	FDT62 11		YATAY KANAT PROFİLİ / Horizontal Frame Profile	SW2=(FW-116-(10X1))4
4	16	FDT62 11		DÜŞEY KANAT PROFİLİ / Vertical Frame Profile	SH=FW-132,5
6	2	FDT62 43		KAPI ADAPTOR PROFİLİ / Door Adapter Profile	SH+14
7	2	FDT62 44		KAPI ADAPTOR PROFİLİ / Door Adapter Profile	SH+14
8	20	FDT62 42		KİL FİTİL ADAPTOR PRO. / Brush Adapter Profile	SW
8	12	FDT62 42		KİL FİTİL ADAPTOR PRO. / Brush Adapter Profile	SW2
10	10	11-020		YATAY CAM ÇİTASI / Horizontal Glazing Bead	GBW=SW-90
9	16	11-020		DÜŞEY CAM ÇİTASI / Vertical Glazing Bead	GBH=SH-133,7
10	6	11-020		YATAY CAM ÇİTASI / Horizontal Glazing Bead	GBW2=SW2-90
11	1	12-62		TÜJ PROFİLİ / Connecting Rod	SH-250
12	1	FDT62 51		90° KÖŞE PROFİLİ / 90° Corner Profile	SH
1	1	03-050050-15		L PROFİLİ / L Profile	40mm

#### CAM KESİM ÖLÇÜLERİ / GLASS CUTTING SIZES

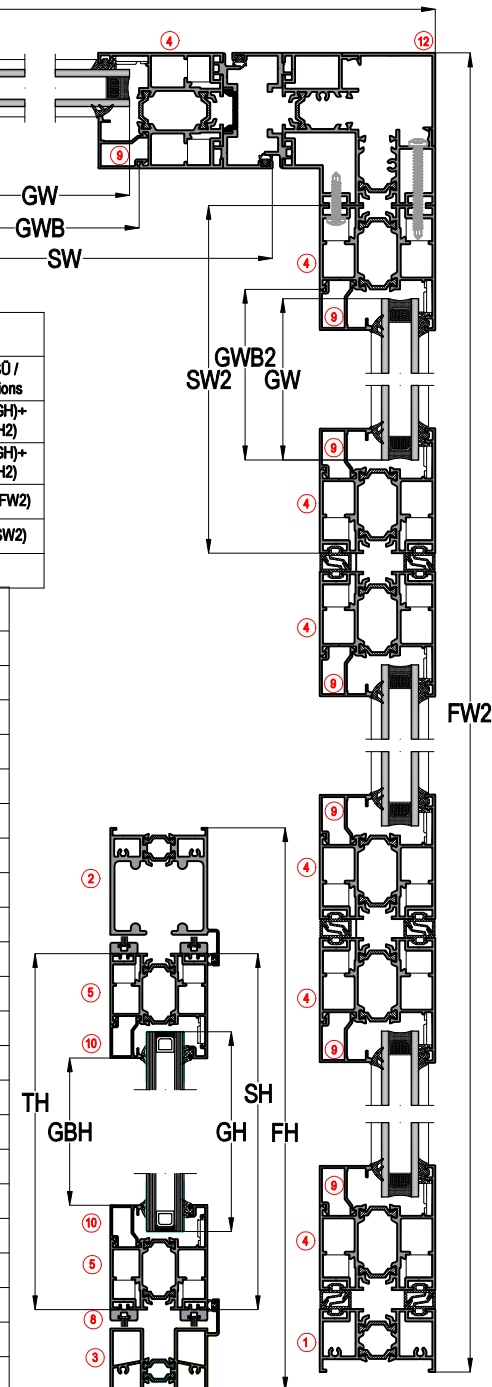
KOD / Code	TANIMI / Description	KESİM ÖLÇÜSÜ / Cutting Dimensions
GW	CAM GENİŞLİK / Sash Glass Width	GW=SW-100
GH	CAM YÜKSEKLİK / Sash Glass Height	GH=SH-100

#### FİTİLLER / GASKETS

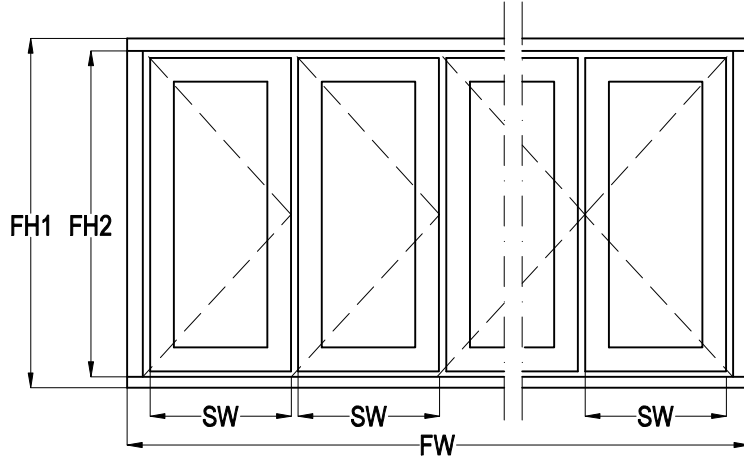
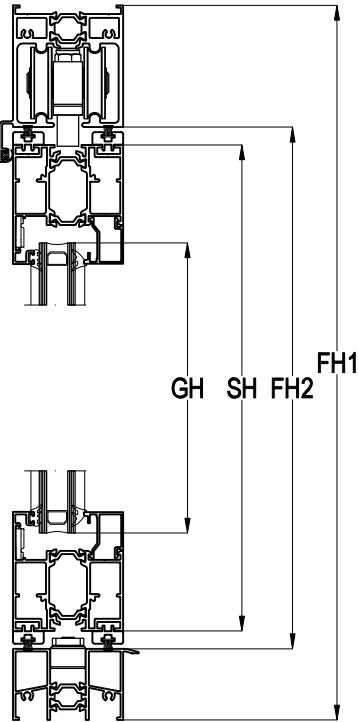
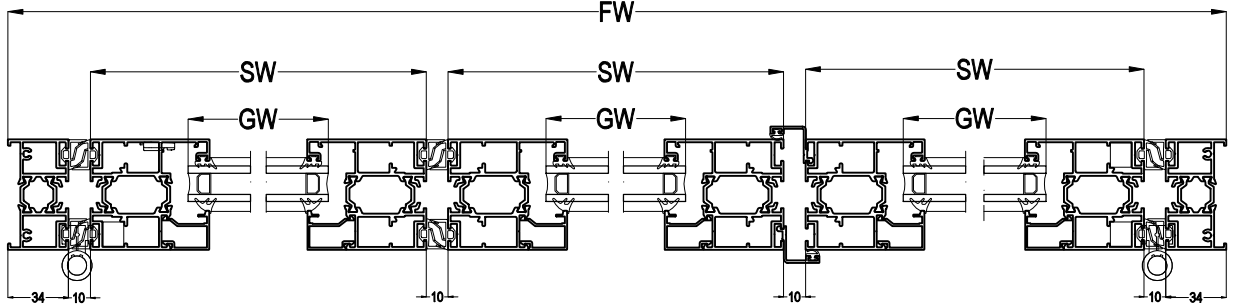
MIKTAR / Unit	KOD / Code	PROFİL ÇİZİMİ / Drawing	PROFİL TANIMI / Description	KESİM ÖLÇÜSÜ / Cutting Dimensions
mt	EP2-01		İÇ CAM FİTİLİ / Inner Glazing Gasket	(10xGW)+(10xGH)+(6xGW2+6xGH2)
mt	EP1-01		DIŞ CAM FİTİLİ / Outer Glazing Gasket	(10xGW)+(10xGH)+(6xGW2+6xGH2)
mt	EP3-03		KANAT BİNİ FİTİLİ / Sash Gasket	2XSH+2X(FW1+FW2)
mt	KF 67-550		FİRÇA FİTİL / Brush Gasket - 5,5mm	(20XSW)-(12XSW2)
mt	EP62-01		ORTA BİNİ FİTİLİ / Gasket For Open Joint	28XSH

#### AKSESUARLAR / ACCESSORIES

64 Adet / Pcs	ASI-PB 1214		PİMLİ KÖŞE BAĞLANTI / Corner Joint	
2 Adet / Pcs	ASI-KT 1606		KÖŞE TAKOZU / Corner Joint	
2 Adet / Pcs	ASI-KT 1819		KÖŞE TAKOZU / Corner Joint	
32 Adet / Pcs	ASI-FUJİ 2000		AYARLI KÖŞE GÖNYESİ / Corner Alignment	
26 Adet / Pcs	FDA-H 003		ARA MENTEŞE / Standart Hinge	
3 Adet / Pcs	FDA-H 004		ÇEKME KOL / Pull Handle	
3 Adet / Pcs	FDA-H 002		ALT MENTEŞE / Bottom Hinge	
3 Adet / Pcs	FDA-H 001		ÜST MENTEŞE / Top Hinge	
1 Adet / Pcs	ASI-DH 002		KAPI KOLU / Door Handle	
1 Adet / Pcs	ASI-LS 314890		İSPANYOLET KİLİTLEME / Multi P. Look With Key	
1 Adet / Pcs	ASI-LS 301645		İSPANYOLET KİLİT KARŞILIĞI / Look Str. For Multi P.	
1 Adet / Pcs	ASI-BRL 90S		90°LİK SİMETRİK BAREL / Symetric Cylinder 90	
3 Adet / Pcs	FDA-GB 01		ÇİFT YÖNLÜ KİLİTLEME / Gear Box - Two Way	
4 Adet / Pcs	FDA-B 01		SURGU KİLİTLEME / Folding Bolt	
2 Adet / Pcs	FDA-B 02		SURGU KİLİTLEME / Folding Bolt	
2 Adet / Pcs	FDA-B 03		KÖŞE KAPAK / Cover For Corner	
3 Adet / Pcs	FDA-K 01		ÇİFT YÖNLÜ KİLİTLEME KOLU / Gear Box Handle	
3 Adet / Pcs	ASI-314750		TÜJ PİMİ / Rod Profile Locking	
3 Adet / Pcs	ASI-311100		TÜJ PİMİ KARŞILIK / Rod Profile Strike	
1 Adet / Pcs	12-41		TÜJ PROFİLİ / Espag Rod	TH1=HH-126
1 Adet / Pcs	12-41		TÜJ PROFİLİ / Espag Rod	TH2=SH-HH-126
X Adet / Pcs	FDA-M 01		ÜST KASA MONTAJ PARÇASI / Frame Fixed Part	X=FW/300mm





TEK NOKTADAN KİLİTLEME AÇILIM TİPİ İÇİN KESİM ÖLÇÜLERİ  
CUTTING SIZES FOR SINGLE POINT LOCKING

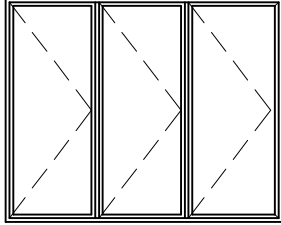
KASA PROFİLİ Frame Profile	KANAT PROFİLİ Sash Profile	KESİM ÖLÇÜLERİ Cutting Sizes
FDT62 01 FDT62 02 FDT62 03 FDT62 04 FDT62 05 FDT62 06 FDT62 07	FDT62 11 FDT62 12	$SW = \frac{FW - 78\text{mm} - (10\text{mm} \times SP)}{SP}$ GW=SW-100 mm SH=FH1-132,5 mm GH=SH-100 mm FH2=FH1-108,5mm

FW= KASA GENİŞLİĞİ / FRAME WIDTH  
 SW= KANAT GENİŞLİĞİ / SASH WIDTH  
 GW= CAM GENİŞLİĞİ / GLASS WIDTH  
 SP = KANAT ADEDİ / SASH PIECES

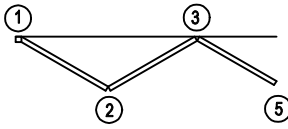
FH= KASA YÜKSEKLİĞİ / FRAME HEIGHT  
 SH= KANAT YÜKSEKLİĞİ / SASH HEIGHT  
 GH= CAM YÜKSEKLİĞİ / GLASS HEIGHT

### 3+0 KANAT AKSESUAR DETAYLARI 3+0 SASH ACCESSORIES DETAILS

3

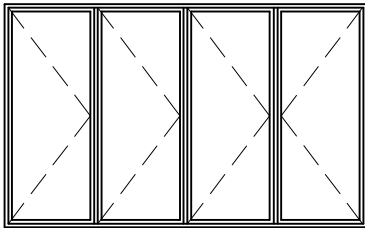


DIŞ  
İÇ

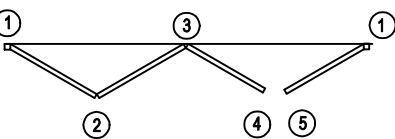


### 3+1 KANAT AKSESUAR DETAYLARI 3+1 SASH ACCESSORIES DETAILS

3+1=4



DIŞ  
İÇ

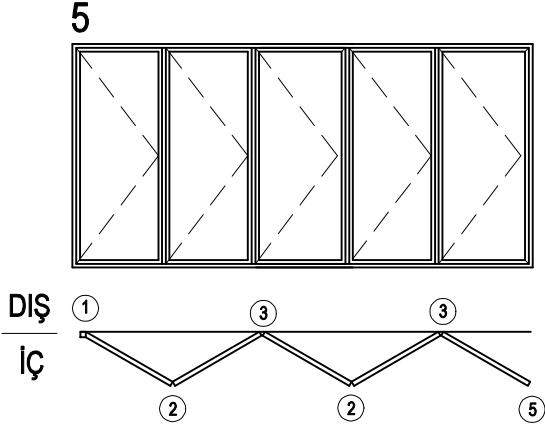


### TEK NOKTADAN KİLİTLEMeye GÖRE AKSESUAR TABLOSU ACCESSORIES TABLE FOR SINGLE POINT LOCK - MORTISE LOCK

AKSESUAR ACCESSORIES	SİSTEM KODU SYSTEM CODE	ADET PCS	AKSESUAR ACCESSORIES	SİSTEM KODU SYSTEM CODE	ADET PCS
	FDA-H 003	10		FDA-GB 01	1
	FDA-H 002	1		FDA-B 01	1
	FDA-H 001	1		FDA-K 01	1
	FDA-H 004	1		ASI-FUJII 2000	12
	ASI-DH 002	1		ASI-PB 1214	24
	ASI-153 U 25	1		ASI-BRL 90S	1
	ASI-LS 90185D	1			

AKSESUAR ACCESSORIES	SİSTEM KODU SYSTEM CODE	ADET PCS	AKSESUAR ACCESSORIES	SİSTEM KODU SYSTEM CODE	ADET PCS
	FDA-H 003	14		FDA-GB 01	1
	FDA-H 002	1		FDA-B 01	2
	FDA-H 001	1		FDA-B 02	2
	FDA-H 004	1		FDA-K 01	1
	ASI-153 U 25	1		ASI-FUJII 2000	16
	ASI-LS 90185D	1		ASI-PB 1214	32
	ASI-BRL 90S	1		ASI-DH 002	1

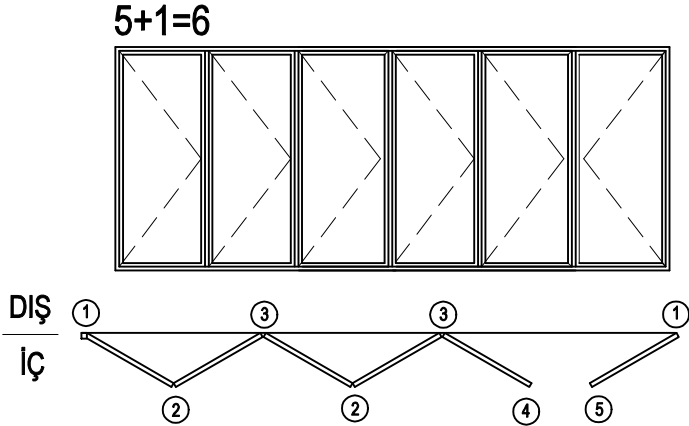
### 5+0 KANAT AKSESUAR DETAYLARI 5+0 SASH ACCESSORIES DETAILS



### TEK NOKTADAN KİLİTLEMeye GÖRE AKSESUAR TABLOSU ACCESSORIES TABLE FOR SINGLE POINT LOCK - MORTISE LOCK

AKSESUAR ACCESSORIES	SİSTEM KODU SYSTEM CODE	ADET PCS	AKSESUAR ACCESSORIES	SİSTEM KODU SYSTEM CODE	ADET PCS
	FDA-H 003	16		FDA-GB 01	2
	FDA-H 002	2		FDA-B 01	2
	FDA-H 001	2		FDA-K 01	2
	FDA-H 004	2		ASI-FUJI 2000	20
	ASI-153 U 25	1		ASI-PB 1214	40
	ASI-LS 90185D	1		ASI-DH 002	1
	ASI-BRL 90S	1			

### 5+1 KANAT AKSESUAR DETAYLARI 5+1 SASH ACCESSORIES DETAILS

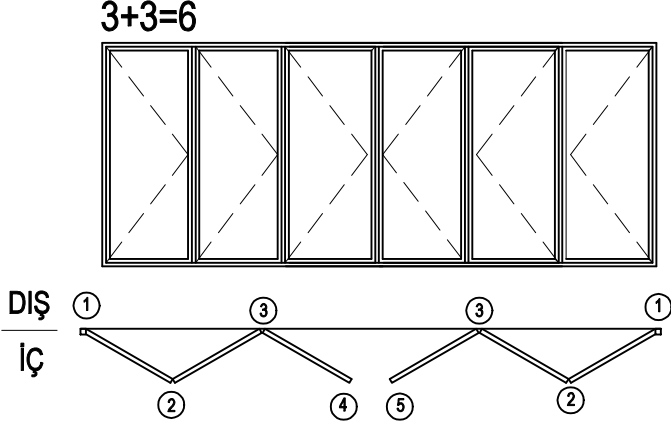


AKSESUAR ACCESSORIES	SİSTEM KODU SYSTEM CODE	ADET PCS	AKSESUAR ACCESSORIES	SİSTEM KODU SYSTEM CODE	ADET PCS
	FDA-H 003	20		FDA-GB 01	2
	FDA-H 002	2		FDA-B 01	3
	FDA-H 001	2		FDA-B 02	2
	FDA-H 004	2		FDA-K 01	2
	ASI-153 U 25	1		ASI-FUJI 2000	24
	ASI-LS 90185D	1		ASI-PB 1214	48
	ASI-BRL 90S	1		ASI-DH 002	1



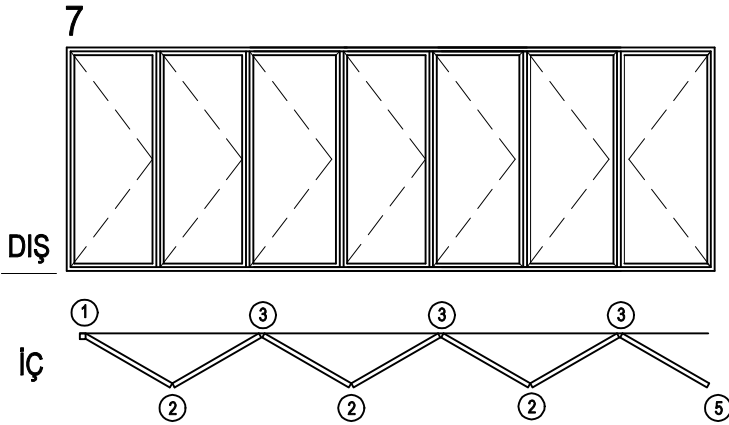
### 3+3 KANAT AKSESUAR DETAYLARI 3+3 SASH ACCESSORIES DETAILS

### TEK NOKTADAN KİLİTLEMeye GÖRE AKSESUAR TABLOSU ACCESSORIES TABLE FOR SINGLE POINT LOCK - MORTISE LOCK



AKSESUAR ACCESSORIES	SİSTEM KODU SYSTEM CODE	ADET PCS	AKSESUAR ACCESSORIES	SİSTEM KODU SYSTEM CODE	ADET PCS
	FDA-H 003	20		FDA-GB 01	2
	FDA-H 002	2		FDA-B 01	3
	FDA-H 001	2		FDA-B 02	2
	FDA-H 004	2		FDA-K 01	2
	ASI-153 U 25	1		ASI-FUJI 2000	24
	ASI-LS 90185D	1		ASI-PB 1214	48
	ASI-BRL 90S	1		ASI-DH 002	1

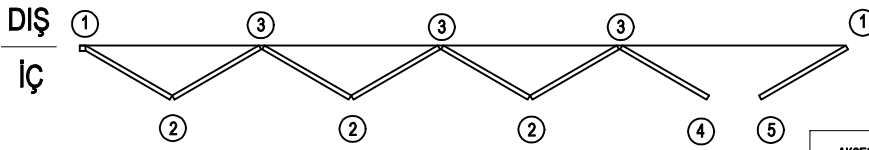
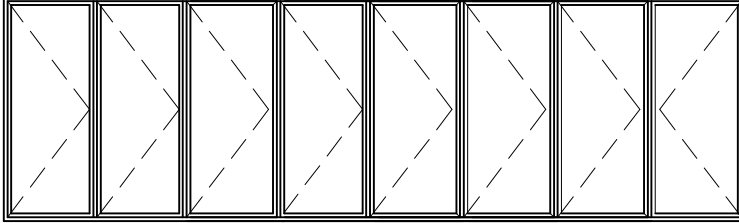
### 7+0 KANAT AKSESUAR DETAYLARI 7+0 SASH ACCESSORIES DETAILS



AKSESUAR ACCESSORIES	SİSTEM KODU SYSTEM CODE	ADET PCS	AKSESUAR ACCESSORIES	SİSTEM KODU SYSTEM CODE	ADET PCS
	FDA-H 003	22		FDA-GB 01	3
	FDA-H 002	3		FDA-B 01	3
	FDA-H 001	3		FDA-K 01	3
	FDA-H 004	3		ASI-FUJI 2000	28
	ASI-153 U 25	1		ASI-PB 1214	56
	ASI-LS 90185D	1		ASI-DH 002	1
	ASI-BRL 90S	1			

7+1 KANAT AKSESUAR DETAYLARI  
7+1 SASH ACCESSORIES DETAILSTEK NOKTADAN KİLİTLEMeye GÖRE AKSESUAR TABLOSU  
ACCESSORIES TABLE FOR SINGLE POINT LOCK - MORTISE LOCK

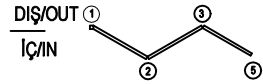
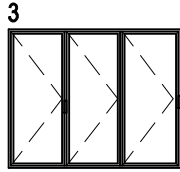
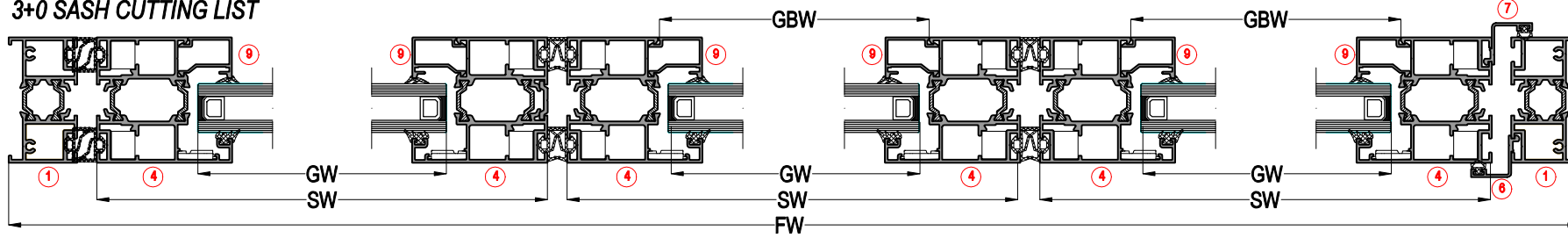
7+1=8



AKSESUAR ACCESSORIES	SİSTEM KODU SYSTEM CODE	ADET PCS	AKSESUAR ACCESSORIES	SİSTEM KODU SYSTEM CODE	ADET PCS
	FDA-H 003	26		FDA-GB 01	3
	FDA-H 002	3		FDA-B 01	4
	FDA-H 001	3		FDA-B 02	2
	FDA-H 004	3		FDA-K 01	3
	ASI-153 U 25	1		ASI-FUJİ 2000	32
	ASI-LS 90185D	1		ASI-PB 1214	64
	ASI-BRL 90S	1		ASI-DH 002	1

### 3+0 KANAT KANAT KESİM ÖLÇÜLERİ 3+0 SASH CUTTING LIST

### TEK NOKTADAN KİLİTLEME AÇILIM TİPİ İÇİN KESİM ÖLÇÜLERİ CUTTING SIZES FOR SINGLE POINT LOCKING



#### PROFİLLER / PROFILES

NO / Number	ADET / Unit	KOD / Code	PROFİL ÇİZİMİ / Drawing	PROFİL TANIMI / Description	KESİM ÖLÇÜSÜ / Cutting Dimensions
1	2	FDT62 01		DÜŞEY KASA PROFİLİ / Vertical Frame Profile	FH=108,5
2	1	FDT62 02		ÜST YATAY KASA PROFİLİ / Top Horizontal Frame Profile	FW
3	1	FDT62 06		ALT YATAY KASA PROFİLİ / Bottom Horizontal Frame Profile	FW
4	6	FDT62 11		DÜŞEY KANAT PROFİLİ / Vertical Frame Profile	SH=FW-132,5
5	6	FDT62 11		YATAY KANAT PROFİLİ / Horizontal Frame Profile	SW=(FW-77,7-(10X3))3
6	1	FDT62 41		DIŞ ADAPTOR PROFİLİ / Out Adapter Profile	FH-147
7	1	FDT62 41		İÇ ADAPTOR PROFİLİ / Inside Adapter Profile	FH-135,3
8	12	FDT62 42		KİL FİTİL ADAPTOR PRO. / Brush Adapter Profile	SW
9	6	11-020		DÜŞEY CAM ÇİTASI / Vertical Glazing Bead	GBH=SH-133,6
10	6	11-020		YATAY CAM ÇİTASI / Horizontal Glazing Bead	GBW=SW-90

Alt Yatay Kasa FDT62 06 Kullanılmıyorsa Dış Adaptorun kesimi (FH-141,5mm) / Bottom Horizontal Frame FDT62 06 If Not Used Cutting the Outer Adapter (FH-141,5mm)

#### CAM KESİM ÖLÇÜLERİ / GLASS CUTTING SIZES

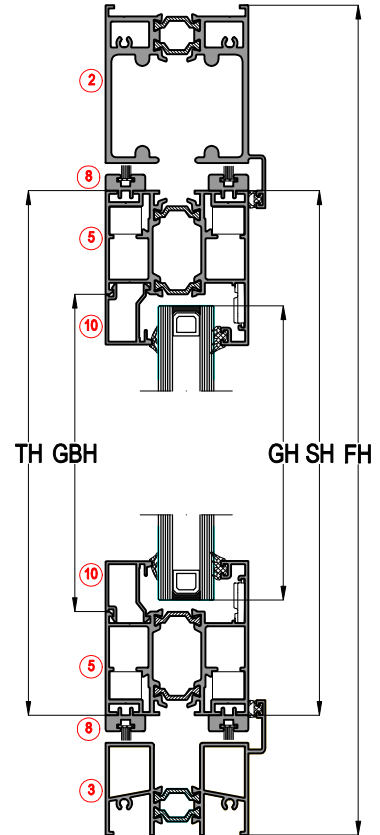
KOD / Code	TANIM / Description	KESİM ÖLÇÜSÜ / Cutting Dimensions
GW	CAM GENİŞLİK / Sash Glass Width	GW=SW-100
GH	CAM YÜKSEKLİK / Sash Glass Height	GH=SH-100

#### FİTİLLER / GASKETS

MİKTAR / Unit	KOD / Code	PROFİL ÇİZİMİ / Drawing	PROFİL TANIMI / Description	KESİM ÖLÇÜSÜ / Cutting Dimensions
mt	EP2-01		İÇ CAM FİTİLİ / Inner Glazing Gasket	(6xGW)+(6xGH)
mt	EP1-01		DIŞ CAM FİTİLİ / Outer Glazing Gasket	(6XGW)+(6XGH)
mt	EP3-03		KANAT BİNİ FİTİLİ / Sash Gasket	2XSH
mt	KF 67-550		FİRÇA FİTİL / Brush Gasket - 5,5mm	12XSW
mt	EP62-01		ORTA BİNİ FİTİLİ / Gasket For Open Joint	12XSH

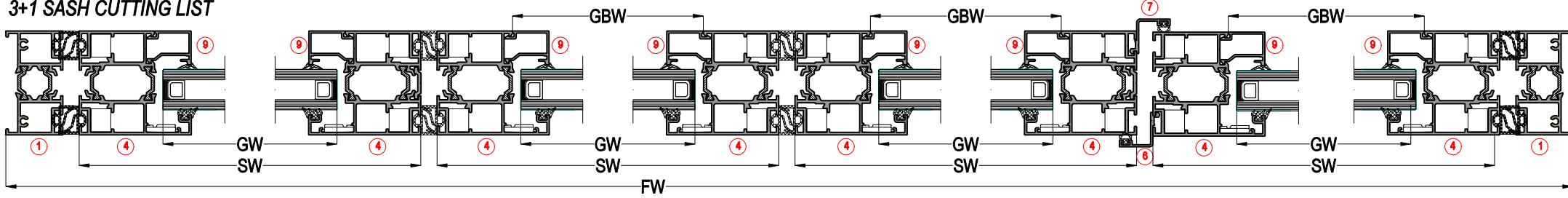
#### AKSESUARLAR / ACCESSORIES

MİKTAR / Pcs	KOD / Code	PROFİL ÇİZİMİ / Drawing	AKSESUAR TANIMI / Description	
24 Adet / Pcs	ASI-PB 1214		PİMLİ KÖŞE BAĞLANTI / Corner Joint	
12 Adet / Pcs	ASI-FUJİ 2000		AYARLI KÖŞE GÖNYESİ / Corner Alignment	
10 Adet / Pcs	FDA-H 003		ARA MENTEŞE / Standart Hinge	
1 Adet / Pcs	FDA-H 004		ÇEKME KOL / Pull Handle	
1 Adet / Pcs	FDA-H 002		ALT MENTEŞE / Bottom Hinge	
1 Adet / Pcs	FDA-H 001		ÜST MENTEŞE / Top Hinge	
1 Adet / Pcs	ASI-DH 002		KAPI KOLU / Door Handle	
1 Adet / Pcs	ASI-153 U 25		DİLLİ KİLİT / Cylinder	
1 Adet / Pcs	ASI-LS 90185D		DİLLİ KİLİT KARŞILIĞI / Look Strikes	
1 Adet / Pcs	ASI-BRL 90S		90'LİK SİMETRİK BAREL / Symetric Cylinder 90	
1 Adet / Pcs	FDA-GB 01		ÇİFT YÖNLÜ KİLİTLEME / Gear Box -Two Way	
1 Adet / Pcs	FDA-B 01		SURGU KİLİTLEME / Folding Bolt	
1 Adet / Pcs	FDA-K 01		ÇİFT YÖNLÜ KİLİTLEME KOLU / Gear Box Handle	
1 Adet / Pcs	12-41		TÜJ PROFİLİ / Espag Rod	TH1=HH-120
1 Adet / Pcs	12-41		TÜJ PROFİLİ / Espag Rod	TH2=SH-HH-120
X Adet / Pcs	FDA-M 01		ÜST KASA MONTAJ PARÇASI / Frame Fixed Part	X=FW/300mm

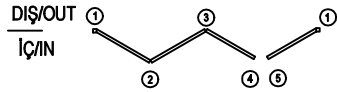
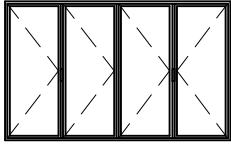


### 3+1 KANAT KANAT KESİM ÖLÇÜLERİ 3+1 SASH CUTTING LIST

### TEK NOKTADAN KİLİTLEME AÇILIM TİPİ İÇİN KESİM ÖLÇÜLERİ CUTTING SIZES FOR SINGLE POINT LOCKING



3+1=4



#### PROFİLLER / PROFILES

NO / Number	ADET / Unit	KOD / Code	PROFİL ÇİZİMİ / Drawing	PROFİL TANIMI / Description	KESİM ÖLÇÜSÜ / Cutting Dimensions
1	2	FDT62 01		DÜŞEY KASA PROFİLİ / Vertical Frame Profile	FH-108,5
2	1	FDT62 02		ÜST YATAY KASA PROFİLİ / Top Horizontal Frame Profile	FW
3	1	FDT62 06		ALT YATAY KASA PROFİLİ / Bottom Horizontal Frame Profile	FW
4	8	FDT62 11		DÜŞEY KANAT PROFİLİ / Vertical Frame Profile	SH=FH-132,5
5	8	FDT62 11		YATAY KANAT PROFİLİ / Horizontal Frame Profile	SW=(FW-77,7-(10X4))/4
6	1	FDT62 41		DIŞ ADAPTOR PROFİLİ / Out Adapter Profile	FH-147
7	1	FDT62 41		İÇ ADAPTOR PROFİLİ / Inside Adapter Profile	FH-135,3
8	16	FDT62 42		KİL FİTİL ADAPTOR PRO. / Brush Adapter Profile	SW
9	8	11-020		DÜŞEY CAM ÇİTASI / Vertical Glazing Bead	GBH=SH-133,6
10	8	11-020		YATAY CAM ÇİTASI / Horizontal Glazing Bead	GBW=SW-90

Alt Yatay Kasa FDT62 06 Kullanılmıyorsa Dış Adaptorun kesimi (FH-141,5mm) / Bottom Horizontal Frame FDT62 06 If Not Used Cutting the Outer Adapter (FH-141,5mm)

#### CAM KESİM ÖLÇÜLERİ / GLASS CUTTING SIZES

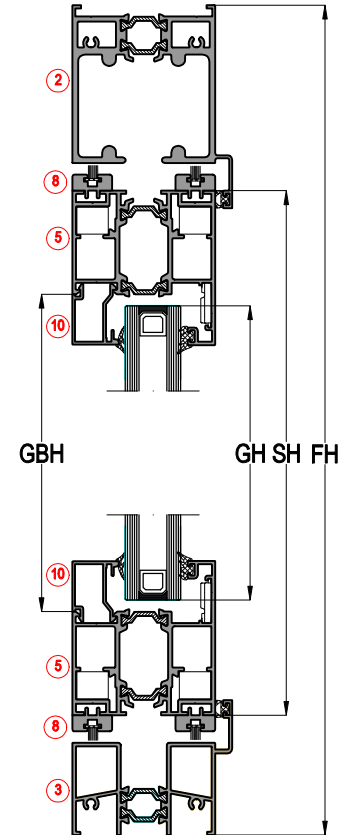
KOD / Code	TANIMI / Description	KESİM ÖLÇÜSÜ / Cutting Dimensions
GW	CAM GENİŞLİK / Sash Glass Width	GW=SW-100
GH	CAM YÜKSEKLİK / Sash Glass Height	GH=SH-100

#### FİTİLLER / GASKETS

MIKTAR / Unit	KOD / Code	PROFİL ÇİZİMİ / Drawing	PROFİL TANIMI / Description	KESİM ÖLÇÜSÜ / Cutting Dimensions
mt	EP2-01		İÇ CAM FİTİLİ / Inner Glazing Gasket	(8xGW)+(8xGH)
mt	EP1-01		DIŞ CAM FİTİLİ / Outer Glazing Gasket	(8XGW)+(8XGH)
mt	EP3-03		KANAT BİNI FİTİLİ / Sash Gasket	2XSH
mt	KF 67-550		FİRÇA FİTİL / Brush Gasket - 5,5mm	16XSW
mt	EP62-01		ORTA BİNI FİTİLİ / Gasket For Open Joint	16XSH

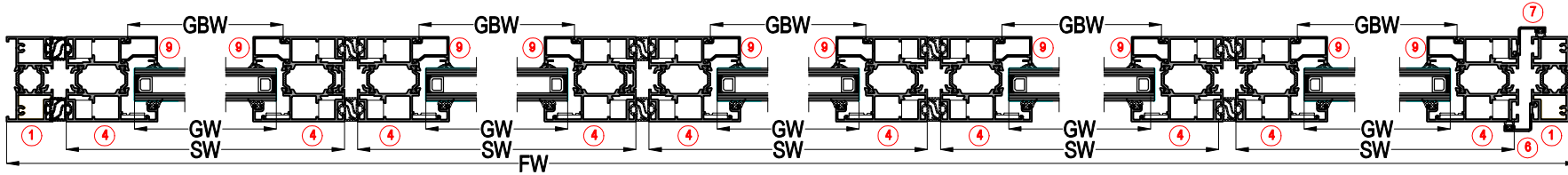
#### AKSESUARLAR / ACCESSORIES

32 Adet / Pcs	ASI-PB 1214		PİMLİ KÖŞE BAĞLANTI / Corner Joint	
16 Adet / Pcs	ASI-FUJİ 2000		AYARLI KÖŞE GÖNYESİ / Corner Alignment	
14 Adet / Pcs	FDA-H 003		ARA MENTEŞE / Standart Hinge	
1 Adet / Pcs	FDA-H 004		ÇEKME KOL / Pull Handle	
1 Adet / Pcs	FDA-H 002		ALT MENTEŞE / Bottom Hinge	
1 Adet / Pcs	FDA-H 001		ÜST MENTEŞE / Top Hinge	
1 Adet / Pcs	ASI-DH 002		KAPI KOLU / Door Handle	
1 Adet / Pcs	ASI-153 U 25		DİLLİ KİLİT / Cylinder	
1 Adet / Pcs	ASI-LS 90185D		DİLLİ KİLİT KARŞILIĞI / Look Strikes	
1 Adet / Pcs	ASI-BRL 90S		90'LİK SİMETRİK BAREL / Symetric Cylinder 90	
1 Adet / Pcs	FDA-GB 01		ÇİFT YÖNLÜ KİLİTLEME / Gear Box -Two Way	
2 Adet / Pcs	FDA-B 01		SURGU KİLİTLEME / Folding Bolt	
2 Adet / Pcs	FDA-B 02		SURGU KİLİTLEME KOLU / Folding Bolt Handle	
1 Adet / Pcs	FDA-K 01		ÇİFT YÖNLÜ KİLİTLEME KOLU / Gear Box Handle	
1 Adet / Pcs	12-41		T1J PROFİLİ / Espag Rod	TH1=HH-120
2 Adet / Pcs	12-41		T1J PROFİLİ / Espag Rod	TH2=SH-HH-120
1 Adet / Pcs	12-41		T1J PROFİLİ / Espag Rod	TH3=SH/2
X Adet / Pcs	FDA-M 01		ÜST KASA MONTAJ PARÇASI / Frame Fixed Part	X=FW/300mm

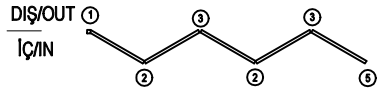
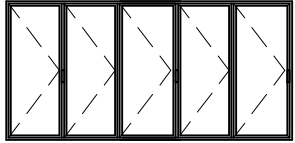


### 5+0 KANAT KANAT KESİM ÖLÇÜLERİ 5+0 SASH CUTTING LIST

TEK NOKTADAN KİLİTLEME AÇILIM TİPİ İÇİN KESİM ÖLÇÜLERİ  
CUTTING SIZES FOR SINGLE POINT LOCKING



5



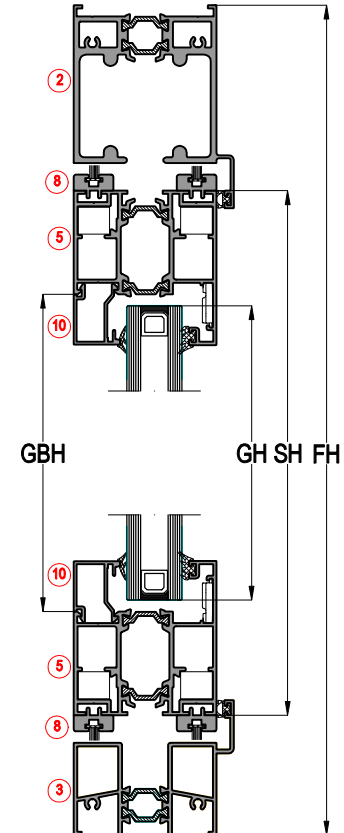
PROFİLLER / PROFILES					
NO / Number	ADET / Unit	KOD / Code	PROFİL ÇİZİMİ / Drawing	PROFİL TANIMI / Description	KESİM ÖLÇÜSÜ / Cutting Dimensions
1	2	FDT62 01		DÜŞEY KASA PROFİLİ / Vertical Frame Profile	FH-108,5
2	1	FDT62 02		ÜST YATAY KASA PROFİLİ / Top Horizontal Frame Profile	FW
3	1	FDT62 06		ALT YATAY KASA PROFİLİ / Bottom Horizontal Frame Profile	FW
4	10	FDT62 11		DÜŞEY KANAT PROFİLİ / Vertical Frame Profile	SH=FW-132,5
5	10	FDT62 11		YATAY KANAT PROFİLİ / Horizontal Frame Profile	SW=(FW-77,7-(10X5))5
6	1	FDT62 41		DIŞ ADAPTOR PROFİLİ / Out Adapter Profile	FH-147
7	1	FDT62 41		İÇ ADAPTOR PROFİLİ / Inside Adapter Profile	FH-135,3
8	20	FDT62 42		KİL FİTİL ADAPTOR PRO. / Brush Adapter Profile	SW
9	10	11-020		DÜŞEY CAM ÇITASI / Vertical Glazing Bead	GBH=SH-133,6
10	10	11-020		YATAY CAM ÇITASI / Horizontal Glazing Bead	GBW=SW-90

Alt Yatay Kasa FDT62 06 Kullanılmıyorsa Dış Adaptorun kesimi (FH-141,5mm) / Bottom Horizontal Frame FDT62 06 If Not Used Cutting the Outer Adapter (FH-141,5mm)

CAM KESİM ÖLÇÜLERİ / GLASS CUTTING SIZES		
KOD / Code	TANIMI / Description	KESİM ÖLÇÜSÜ / Cutting Dimensions
GW	CAM GENİŞLİK / Sash Glass Width	GW=SW-100
GH	CAM YÜKSEKLİK / Sash Glass Height	GH=SH-100

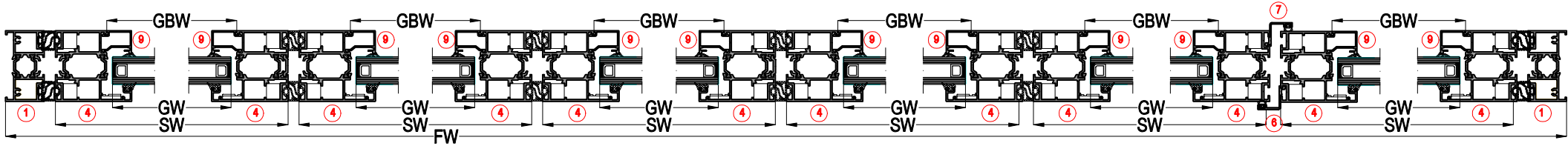
FİTİLLER / GASKETS				
MİKTAR / Unit	KOD / Code	PROFİL ÇİZİMİ / Drawing	PROFİL TANIMI / Description	KESİM ÖLÇÜSÜ / Cutting Dimensions
mt	EP2-01		İÇ CAM FİTİLİ / Inner Glazing Gasket	(10xGW)+(10xGH)
mt	EP1-01		DIŞ CAM FİTİLİ / Outer Glazing Gasket	(10XGW)+(10XGH)
mt	EP3-03		KANAT BİNI FİTİLİ / Sash Gasket	2XSH
mt	KF 67-550		FİRÇA FİTİL / Brush Gasket - 5,5mm	20XSW
mt	EP62-01		ORTA BİNI FİTİLİ / Gasket For Open Joint	20XSH

AKSESUARLAR / ACCESSORIES				
MİKTAR / Unit	KOD / Code	PROFİL ÇİZİMİ / Drawing	AKSESUAR TANIMI / Description	KESİM ÖLÇÜSÜ / Cutting Dimensions
40 Adet / Pcs	ASI-PB 1214		PİMLİ KÖŞE BAĞLANTI / Corner Joint	
20 Adet / Pcs	ASI-FUJII 2000		AYARLI KÖŞE GÖNYESİ / Corner Alignment	
16 Adet / Pcs	FDA-H 003		ARA MENTEŞE / Standard Hinge	
2 Adet / Pcs	FDA-H 004		ÇEKME KOL / Pull Handle	
2 Adet / Pcs	FDA-H 002		ALT MENTEŞE / Bottom Hinge	
2 Adet / Pcs	FDA-H 001		ÜST MENTEŞE / Top Hinge	
1 Adet / Pcs	ASI-DH 002		KAPI KOLU / Door Handle	
1 Adet / Pcs	ASI-153 U 25		DİLLİ KİLİT / Cylinder	
1 Adet / Pcs	ASI-LS 90185D		DİLLİ KİLİT KARŞILIĞI / Look Strikes	
1 Adet / Pcs	ASI-BRL 90S		90'LİK SİMETRİK BAREL / Symetric Cylinder 90	
2 Adet / Pcs	FDA-GB 01		ÇİFT YÖNLÜ KİLİTLEME / Gear Box -Two Way	
2 Adet / Pcs	FDA-B 01		SURGU KİLİTLEME / Folding Bolt	
2 Adet / Pcs	FDA-K 01		ÇİFT YÖNLÜ KİLİTLEME KOLU / Gear Box Handle	
2 Adet / Pcs	12-41		TİJ PROFİLİ / Espag Rod	TH1=HH-126
2 Adet / Pcs	12-41		TİJ PROFİLİ / Espag Rod	TH2=SH-HH-126
X Adet / Pcs	FDA-M 01		ÜST KASA MONTAJ PARÇASI / Frame Fixed Part	X=FW/300mm

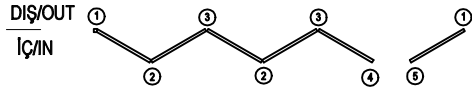
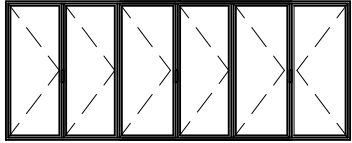


### 5+1 KANAT KANAT KESİM ÖLÇÜLERİ 5+1 SASH CUTTING LIST

TEK NOKTADAN KİLİTLEME AÇILIM TİPİ İÇİN KESİM ÖLÇÜLERİ  
CUTTING SIZES FOR SINGLE POINT LOCKING



5+1=6



#### PROFİLLER / PROFILES

NO / Number	ADET / Unit	KOD / Code	PROFİL ÇİZİMİ / Drawing	PROFİL TANIMI / Description	KESİM ÖLÇÜSÜ / Cutting Dimensions
1	2	FDT62 01		DÜŞEY KASA PROFİLİ / Vertical Frame Profile	FH-108,5
2	1	FDT62 02		ÜST YATAY KASA PROFİLİ / Top Horizontal Frame Profile	FW
3	1	FDT62 06		ALT YATAY KASA PROFİLİ / Bottom Horizontal Frame Profile	FW
4	12	FDT62 11		DÜŞEY KANAT PROFİLİ / Vertical Frame Profile	SH=FH-132,5
5	12	FDT62 11		YATAY KANAT PROFİLİ / Horizontal Frame Profile	SW=(FW-77,7-(10X6))6
6	1	FDT62 41		DIŞ ADAPTOR PROFİLİ / Out Adapter Profile	FH-147
7	1	FDT62 41		İÇ ADAPTOR PROFİLİ / Inside Adapter Profile	FH-135,3
8	24	FDT62 42		KİL FİTİL ADAPTOR PRO. / Brush Adapter Profile	SW
9	12	11-020		DÜŞEY CAM ÇİTASI / Vertical Glazing Bead	GBH=SH-133,6
10	12	11-020		YATAY CAM ÇİTASI / Horizontal Glazing Bead	GBW=SW-90

Alt Yatay Kasa FDT62 06 Kullanılmıyorsa Dış Adaptorun kesimi (FH-141,5mm) / Bottom Horizontal Frame FDT62 06 If Not Used Cutting the Outer Adapter (FH-141,5mm)

#### CAM KESİM ÖLÇÜLERİ / GLASS CUTTING SIZES

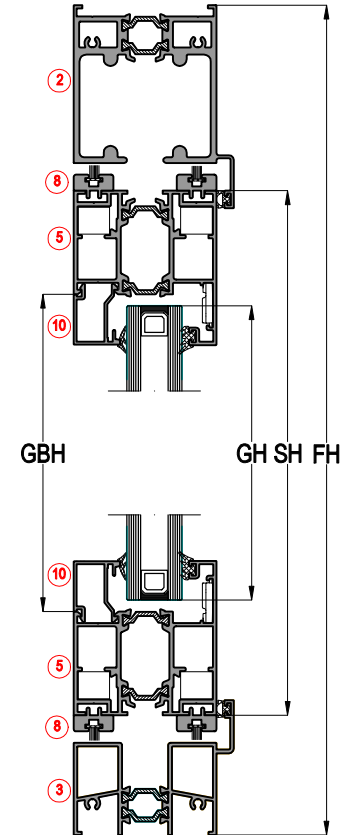
KOD / Code	TANIMI / Description	KESİM ÖLÇÜSÜ / Cutting Dimensions
GW	CAM GENİŞLİK / Sash Glass Width	GW=SW-100
GH	CAM YÜKSEKLİK / Sash Glass Height	GH=SH-100

#### FİTİLLER / GASKETS

MİKTAR / Unit	KOD / Code	PROFİL ÇİZİMİ / Drawing	PROFİL TANIMI / Description	KESİM ÖLÇÜSÜ / Cutting Dimensions
mt	EP2-01		İÇ CAM FİTİLİ / Inner Glazing Gasket	(12xGW)+(12xGH)
mt	EP1-01		DIŞ CAM FİTİLİ / Outer Glazing Gasket	(12XGW)+(12XGH)
mt	EP3-03		KANAT BİNI FİTİLİ / Sash Gasket	2XSH
mt	KF 67-550		FİRÇA FİTİL / Brush Gasket - 5,5mm	24XSW
mt	EP62-01		ORTA BİNI FİTİLİ / Gasket For Open Joint	24XSH

#### AKSESUARLAR / ACCESSORIES

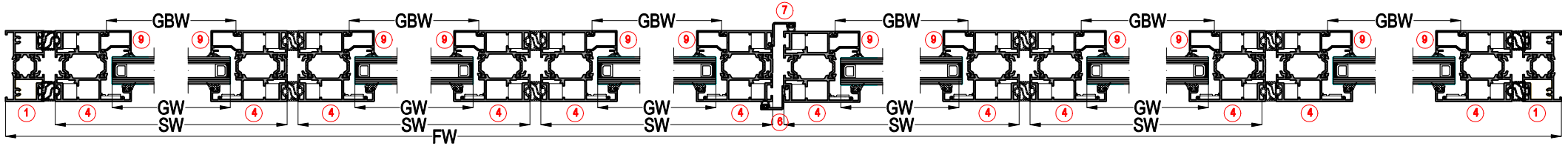
48 Adet / Pcs	ASI-PB 1214		PİMLİ KÖŞE BAĞLANTI / Corner Joint	
24 Adet / Pcs	ASI-FUJİ 2000		AYARLI KÖŞE GÖNYESİ / Corner Alignment	
20 Adet / Pcs	FDA-H 003		ARA MENTEŞE / Standart Hinge	
2 Adet / Pcs	FDA-H 004		ÇEKME KOL / Pull Handle	
2 Adet / Pcs	FDA-H 002		ALT MENTEŞE / Bottom Hinge	
2 Adet / Pcs	FDA-H 001		ÜST MENTEŞE / Top Hinge	
1 Adet / Pcs	ASI-DH 002		KAPI KOLU / Door Handle	
1 Adet / Pcs	ASI-153 U 25		DİLLİ KİLİT / Cylinder	
1 Adet / Pcs	ASI-LS 90185D		DİLLİ KİLİT KARŞILIĞI / Look Strikes	
1 Adet / Pcs	ASI-BRL 90S		90'LİK SİMETRİK BAREL / Symetric Cylinder 90	
2 Adet / Pcs	FDA-GB 01		ÇİFT YÖNLÜ KİLİTLEME / Gear Box -Two Way	
3 Adet / Pcs	FDA-B 01		SURGU KİLİTLEME / Folding Bolt	
2 Adet / Pcs	FDA-B 02		SURGU KİLİTLEME KOLU / Folding Bolt Handle	
2 Adet / Pcs	FDA-K 01		ÇİFT YÖNLÜ KİLİTLEME KOLU / Gear Box Handle	
3 Adet / Pcs	12-41		TÜJ PROFİLİ / Espag Rod	TH1=HH-126
2 Adet / Pcs	12-41		TÜJ PROFİLİ / Espag Rod	TH2=SH-HH-126
1 Adet / Pcs	12-41		TÜJ PROFİLİ / Espag Rod	TH3=SH/2
X Adet / Pcs	FDA-M 01		ÜST KASA MONTAJ PARÇASI / Frame Fixed Part	X=FW/300mm



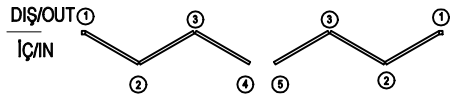
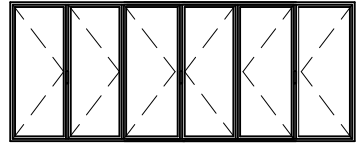


### 3+3 KANAT KANAT KESİM ÖLÇÜLERİ 3+3 SASH CUTTING LIST

TEK NOKTADAN KİLİTLEME AÇILIM TİPİ İÇİN KESİM ÖLÇÜLERİ  
CUTTING SIZES FOR SINGLE POINT LOCKING



3+3=6



#### PROFİLLER / PROFILES

NO / Number	ADET / Unit	KOD / Code	PROFİL ÇİZİMİ / Drawing	PROFİL TANIMI / Description	KESİM ÖLÇÜSÜ / Cutting Dimensions
1	2	FDT62 01		DÜŞEY KASA PROFİLİ / Vertical Frame Profile	FH-108,5
2	1	FDT62 02		ÜST YATAY KASA PROFİLİ / Top Horizontal Frame Profile	FW
3	1	FDT62 06		ALT YATAY KASA PROFİLİ / Bottom Horizontal Frame Profile	FW
4	12	FDT62 11		DÜŞEY KANAT PROFİLİ / Vertical Frame Profile	SH=FH-132,5
5	12	FDT62 11		YATAY KANAT PROFİLİ / Horizontal Frame Profile	SW=(FW-77,7-(10X6))6
6	1	FDT62 41		DIŞ ADAPTOR PROFİLİ / Out Adapter Profile	FH-147
7	1	FDT62 41		İÇ ADAPTOR PROFİLİ / Inside Adapter Profile	FH-135,3
8	24	FDT62 42		KİL FİTİL ADAPTOR PRO. / Brush Adapter Profile	SW
9	12	11-020		DÜŞEY CAM ÇİTASI / Vertical Glazing Bead	GBH=SH-133,6
10	12	11-020		YATAY CAM ÇİTASI / Horizontal Glazing Bead	GBW=SW-90

Alt Yatay Kasa FDT62 06 Kullanılmıyorsa Dış Adaptorun kesimi (FH-141,5mm) / Bottom Horizontal Frame FDT62 06 If Not Used Cutting the Outer Adapter (FH-141,5mm)

#### CAM KESİM ÖLÇÜLERİ / GLASS CUTTING SIZES

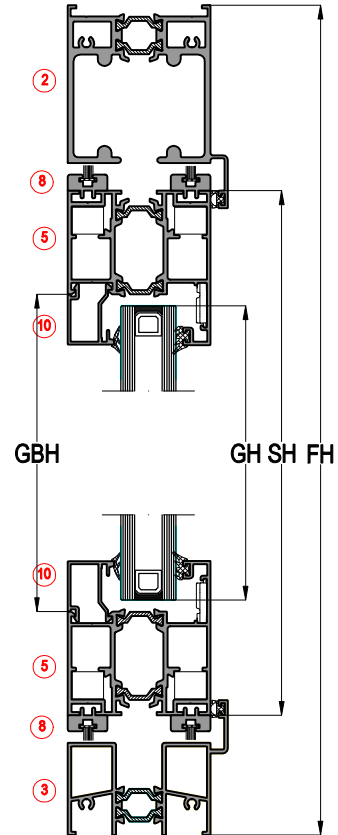
KOD / Code	TANIMI / Description	KESİM ÖLÇÜSÜ / Cutting Dimensions
GW	CAM GENİŞLİK / Sash Glass Width	GW=SW-100
GH	CAM YÜKSEKLİK / Sash Glass Height	GH=SH-100

#### FİTİLLER / GASKETS

MİKTAR / Unit	KOD / Code	PROFİL ÇİZİMİ / Drawing	PROFİL TANIMI / Description	KESİM ÖLÇÜSÜ / Cutting Dimensions
mt	EP2-01		İÇ CAM FİTİLİ / Inner Glazing Gasket	(12xGW)+(12xGH)
mt	EP1-01		DIŞ CAM FİTİLİ / Outer Glazing Gasket	(12XGW)+(12XGH)
mt	EP3-03		KANAT BİNİ FİTİLİ / Sash Gasket	2XSH
mt	KF 67-550		FİRÇA FİTİL / Brush Gasket - 5,5mm	24XSW
mt	EP62-01		ORTA BİNİ FİTİLİ / Gasket For Open Joint	24XSH

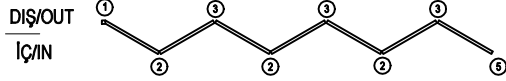
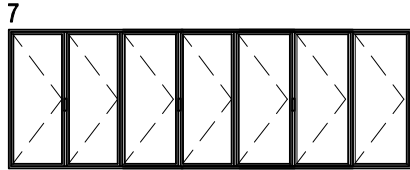
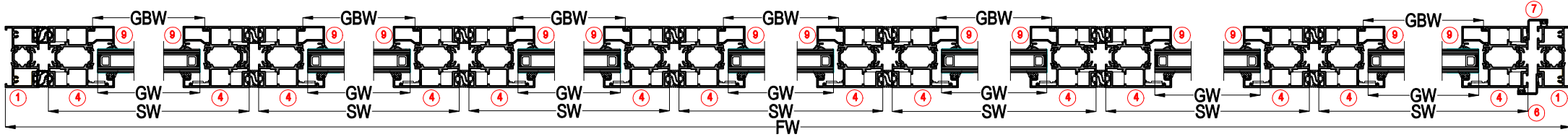
#### AKSESUARLAR / ACCESSORIES

48 Adet / Pcs	ASI-PB 1214		PİMLİ KÖŞE BAĞLANTI / Corner Joint	
24 Adet / Pcs	ASI-FUJİ 2000		AYARLI KÖŞE GÖNYESİ / Corner Alignment	
20 Adet / Pcs	FDA-H 003		ARA MENTEŞE / Standart Hinge	
2 Adet / Pcs	FDA-H 004		ÇEKME KOL / Pull Handle	
2 Adet / Pcs	FDA-H 002		ALT MENTEŞE / Bottom Hinge	
2 Adet / Pcs	FDA-H 001		ÜST MENTEŞE / Top Hinge	
1 Adet / Pcs	ASI-DH 002		KAPI KOLU / Door Handle	
1 Adet / Pcs	ASI-153 U 25		DİLLİ KİLİT / Cylinder	
1 Adet / Pcs	ASI-LS 90185D		DİLLİ KİLİT KARŞILIĞI / Look Strikes	
1 Adet / Pcs	ASI-BRL 90S		90'LİK SİMETRİK BAREL / Symetric Cylinder 90	
2 Adet / Pcs	FDA-GB 01		ÇİFT YÖNLÜ KİLİTLEME / Gear Box -Two Way	
3 Adet / Pcs	FDA-B 01		SURGU KİLİTLEME / Folding Bolt	
2 Adet / Pcs	FDA-B 02		SURGU KİLİTLEME KOLU / Folding Bolt Handle	
2 Adet / Pcs	FDA-K 01		ÇİFT YÖNLÜ KİLİTLEME KOLU / Gear Box Handle	
3 Adet / Pcs	12-41		TÜJ PROFİLİ / Espag Rod	TH1=HH-126
2 Adet / Pcs	12-41		TÜJ PROFİLİ / Espag Rod	TH2=SH-HH-126
1 Adet / Pcs	12-41		TÜJ PROFİLİ / Espag Rod	TH3=SH/2
X Adet / Pcs	FDA-M 01		ÜST KASA MONTAJ PARÇASI / Frame Fixed Part	X=FW/300mm



### 7+0 KANAT KANAT KESİM ÖLÇÜLERİ 7+0 SASH CUTTING LIST

TEK NOKTADAN KİLİTLEME AÇILIM TİPİ İÇİN KESİM ÖLÇÜLERİ  
CUTTING SIZES FOR SINGLE POINT LOCKING



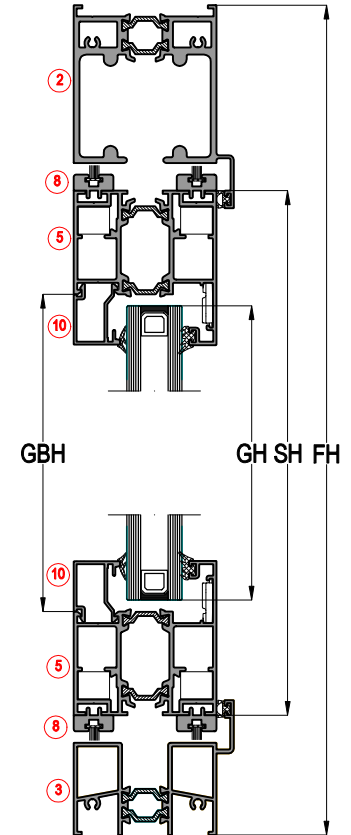
PROFİLLER / PROFILES					
NO / Number	ADET / Unit	KOD / Code	PROFİL ÇİZİMİ / Drawing	PROFİL TANIMI / Description	KESİM ÖLÇÜSÜ / Cutting Dimensions
1	2	FDT62 01		DÜŞEY KASA PROFİLİ / Vertical Frame Profile	FH-108,5
2	1	FDT62 02		ÜST YATAY KASA PROFİLİ / Top Horizontal Frame Profile	FW
3	1	FDT62 06		ALT YATAY KASA PROFİLİ / Bottom Horizontal Frame Profile	FW
4	14	FDT62 11		DÜŞEY KANAT PROFİLİ / Vertical Frame Profile	SH=FW-132,5
5	14	FDT62 11		YATAY KANAT PROFİLİ / Horizontal Frame Profile	SW=(FW-77,7-(10X7))
6	1	FDT62 41		DIŞ ADAPTOR PROFİLİ / Out Adapter Profile	FH-147
7	1	FDT62 41		İÇ ADAPTOR PROFİLİ / Inside Adapter Profile	FH-135,3
8	28	FDT62 42		KİL FİTİL ADAPTOR PRO. / Brush Adapter Profile	SW
9	14	11-020		DÜŞEY CAM ÇİTASI / Vertical Glazing Bead	GBH=SH-133,6
10	14	11-020		YATAY CAM ÇİTASI / Horizontal Glazing Bead	GBW=SW-90

Alt Yatay Kasa FDT62 06 Kullanılmıyorsa Dış Adaptorun kesimi (FH-141,5mm) / Bottom Horizontal Frame FDT62 06 If Not Used Cutting the Outer Adapter (FH-141,5mm)

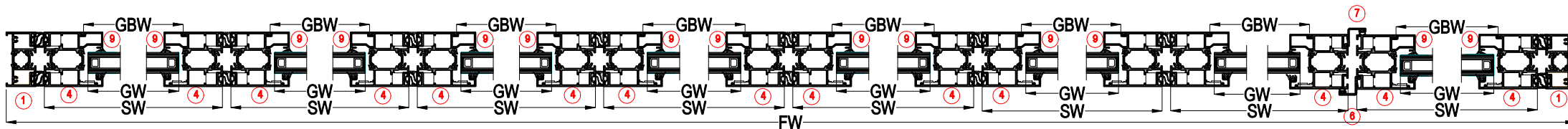
CAM KESİM ÖLÇÜLERİ / GLASS CUTTING SIZES		
KOD / Code	TANIMI / Description	KESİM ÖLÇÜSÜ / Cutting Dimensions
GW	CAM GENİŞLİK / Sash Glass Width	GW=SW-100
GH	CAM YÜKSEKLİK / Sash Glass Height	GH=SH-100

FİTİLLER / GASKETS				
MIKTAR / Unit	KOD / Code	PROFİL ÇİZİMİ / Drawing	PROFİL TANIMI / Description	KESİM ÖLÇÜSÜ / Cutting Dimensions
mt	EP2-01		İÇ CAM FİTİLİ / Inner Glazing Gasket	(14xGW)+(14xGH)
mt	EP1-01		DIŞ CAM FİTİLİ / Outer Glazing Gasket	(14XGW)+(14XGH)
mt	EP3-03		KANAT BİNİ FİTİLİ / Sash Gasket	2XSH
mt	KF 67-550		FİRÇA FİTİL / Brush Gasket - 5,5mm	28XSW
mt	EP62-01		ORTA BİNİ FİTİLİ / Gasket For Open Joint	28XSH

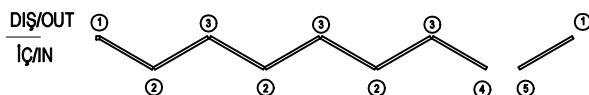
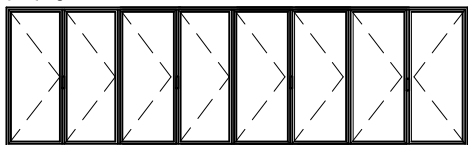
AKSESUARLAR / ACCESSORIES				
56 Adet / Pcs	ASI-PB 1214		PİMLİ KÖŞE BAĞLANTI / Corner Joint	
28 Adet / Pcs	ASI-FUJİ 2000		AYARLI KÖŞE GÖNYESİ / Corner Alignment	
22 Adet / Pcs	FDA-H 003		ARA MENTEŞE / Standard Hinge	
3 Adet / Pcs	FDA-H 004		ÇEKME KOL / Pull Handle	
3 Adet / Pcs	FDA-H 002		ALT MENTEŞE / Bottom Hinge	
3 Adet / Pcs	FDA-H 001		ÜST MENTEŞE / Top Hinge	
1 Adet / Pcs	ASI-DH 002		KAPI KOLU / Door Handle	
1 Adet / Pcs	ASI-153 U 25		DİLLİ KİLİT / Cylinder	
1 Adet / Pcs	ASI-LS 90185D		DİLLİ KİLİT KARŞILIĞI / Look Strikes	
1 Adet / Pcs	ASI-BRL 90S		90'LİK SİMETRİK BAREL / Symetric Cylinder 90	
3 Adet / Pcs	FDA-GB 01		ÇİFT YÖNLÜ KİLİTLEME / Gear Box - Two Way	
3 Adet / Pcs	FDA-B 01		SURGU KİLİTLEME / Folding Bolt	
3 Adet / Pcs	FDA-K 01		ÇİFT YÖNLÜ KİLİTLEME KOLU / Gear Box Handle	
3 Adet / Pcs	12-41		TIJ PROFİLİ / Espag Rod	TH1=HH-126
3 Adet / Pcs	12-41		TIJ PROFİLİ / Espag Rod	TH2=SH-HH-126
X Adet / Pcs	FDA-M 01		ÜST KASA MONTAJ PARÇASI / Frame Fixed Part	X=FW/300mm





7+1 KANAT KANAT KESİM ÖLÇÜLERİ  
7+1 SASH CUTTING LIST

7+1=8



## PROFİLLER / PROFILES

NO / Number	ADET / Unit	KOD / Code	PROFİL ÇİZİMİ / Drawing	PROFİL TANIMI / Description	KESİM ÖLÇÜSÜ / Cutting Dimensions
1	2	FDT62 01		DÜŞEY KASA PROFİLİ / Vertical Frame Profile	FH-108,5
2	1	FDT62 02		ÜST YATAY KASA PROFİLİ / Top Horizontal Frame Profile	FW
3	1	FDT62 06		ALT YATAY KASA PROFİLİ / Bottom Horizontal Frame Profile	FW
4	14	FDT62 11		DÜŞEY KANAT PROFİLİ / Vertical Frame Profile	SH=FH-132,5
5	14	FDT62 11		YATAY KANAT PROFİLİ / Horizontal Frame Profile	SW=(FW-10-(10X8))/8
6	1	FDT62 41		DİŞ ADAPTOR PROFİLİ / Out Adapter Profile	FH-147
7	1	FDT62 41		İÇ ADAPTOR PROFİLİ / Inside Adapter Profile	FH-135,3
8	28	FDT62 42		KİL FİTİL ADAPTOR PRO. / Brush Adapter Profile	SW
9	14	11-020		DÜŞEY CAM ÇİTASI / Vertical Glazing Bead	GBH=SH-133,6
10	14	11-020		YATAY CAM ÇİTASI / Horizontal Glazing Bead	GBW=SW-90

Alt Yatay Kasa FDT62 06 Kullanılmıyorsa Dış Adaptorun kesimi (FH-141,5mm) / Bottom Horizontal Frame FDT62 06 If Not Used Cutting the Outer Adapter (FH-141,5mm)

## CAM KESİM ÖLÇÜLERİ / GLASS CUTTING SIZES

KOD / Code	TANIMI / Description	KESİM ÖLÇÜSÜ / Cutting Dimensions
GW	CAM GENİŞLİK / Sash Glass Width	GW=SW-100
GH	CAM YÜKSEKLİK / Sash Glass Height	GH=SH-100

## FİTİLLER / GASKETS

MİKTAR / Unit	KOD / Code	PROFİL ÇİZİMİ / Drawing	PROFİL TANIMI / Description	KESİM ÖLÇÜSÜ / Cutting Dimensions
mt	EP2-01		İÇ CAM FİTİLİ / Inner Glazing Gasket	(16xGW)+(16xGH)
mt	EP1-01		DİŞ CAM FİTİLİ / Outer Glazing Gasket	(16xGW)+(16xGH)
mt	EP3-03		KANAT BİNİ FİTİLİ / Sash Gasket	2XSH
mt	KF 67-550		FİRÇA FİTİL / Brush Gasket - 5,5mm	32XSW
mt	EP62-01		ORTA BİNİ FİTİLİ / Gasket For Open Joint	32XSH

## AKSESUARLAR / ACCESSORIES

64 Adet / Pcs	ASI-PB 1214		PİMLİ KÖŞE BAĞLANTI / Corner Joint	
32 Adet / Pcs	ASI-FUJİ 2000		AYARLI KÖŞE GÖNYESİ / Corner Alignment	
26 Adet / Pcs	FDA-H 003		ARA MENTEŞE / Standard Hinge	
3 Adet / Pcs	FDA-H 004		ÇEKME KOL / Pull Handle	
3 Adet / Pcs	FDA-H 002		ALT MENTEŞE / Bottom Hinge	
3 Adet / Pcs	FDA-H 001		ÜST MENTEŞE / Top Hinge	
1 Adet / Pcs	ASI-DH 002		KAPI KOLU / Door Handle	
1 Adet / Pcs	ASI-153 U 25		DİLLİ KİLİT / Cylinder	
1 Adet / Pcs	ASI-LS 90185D		DİLLİ KİLİT KARŞILIĞI / Look Strikes	
1 Adet / Pcs	ASI-BRL 90S		90'LİK SİMETRİK BAREL / Symetric Cylinder 90	
3 Adet / Pcs	FDA-GB 01		ÇİFT YÖNLÜ KİLİTLEME / Gear Box - Two Way	
4 Adet / Pcs	FDA-B 01		SURGU KİLİTLEME / Folding Bolt	
2 Adet / Pcs	FDA-B 02		SURGU KİLİTLEME KOLU / Folding Bolt Handle	
3 Adet / Pcs	FDA-K 01		ÇİFT YÖNLÜ KİLİTLEME KOLU / Gear Box Handle	
4 Adet / Pcs	12-41		TÜJ PROFİLİ / Espag Rod	TH1=HH-126
3 Adet / Pcs	12-41		TÜJ PROFİLİ / Espag Rod	TH2=SH-HH-126
1 Adet / Pcs	12-41		TÜJ PROFİLİ / Espag Rod	TH3=SH/2
X Adet / Pcs	FDA-M 01		ÜST KASA MONTAJ PARÇASI / Frame Fixed Part	X=FW/300mm

