

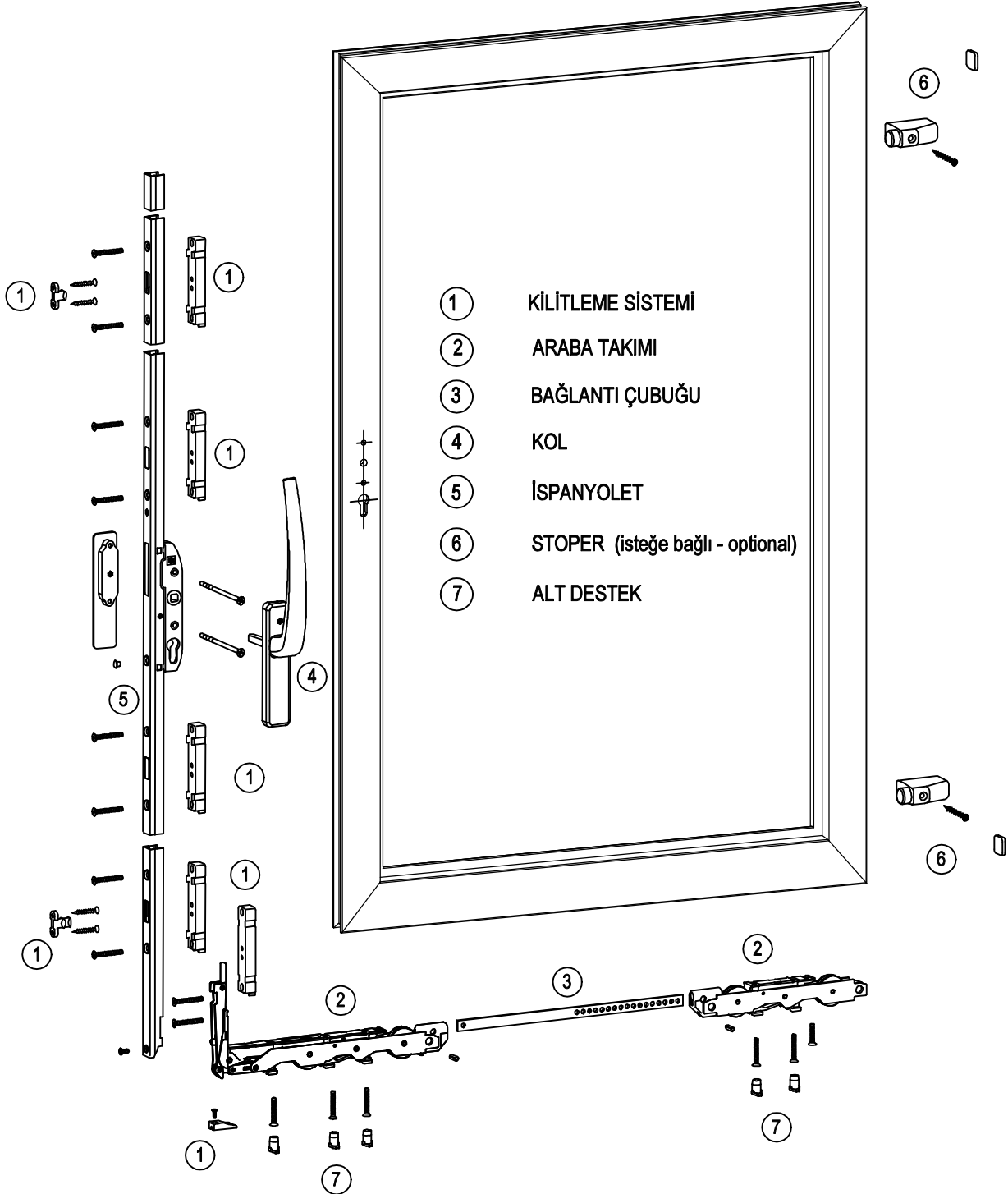
LS70 - 1,8mm

YALITIMLI KALDIR-SÜR SİSTEMİ
THERMAL LIFT&SLIDE SYSTEM

ASISTAL

KESİM VE MONTAJ ÇİZİMLERİ
CUTTING & ASSEMBLY DRAWINGS

KALDIR-SÜR MEKANİZMASI MONTAJ ŞEMASI - LS60 MEK ve MEK2 İÇİN LIFT & SLIDING MECHANISM INSTALLATION FOR LS60 MEK1 & MEK2

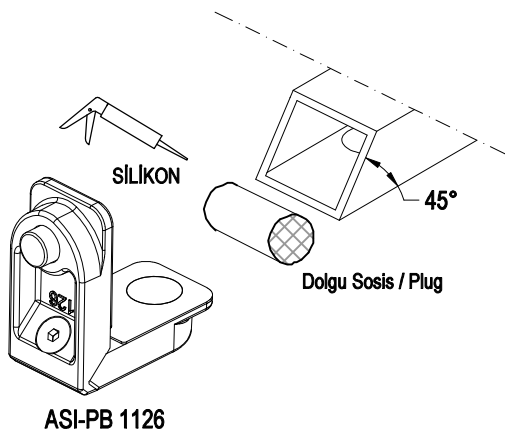
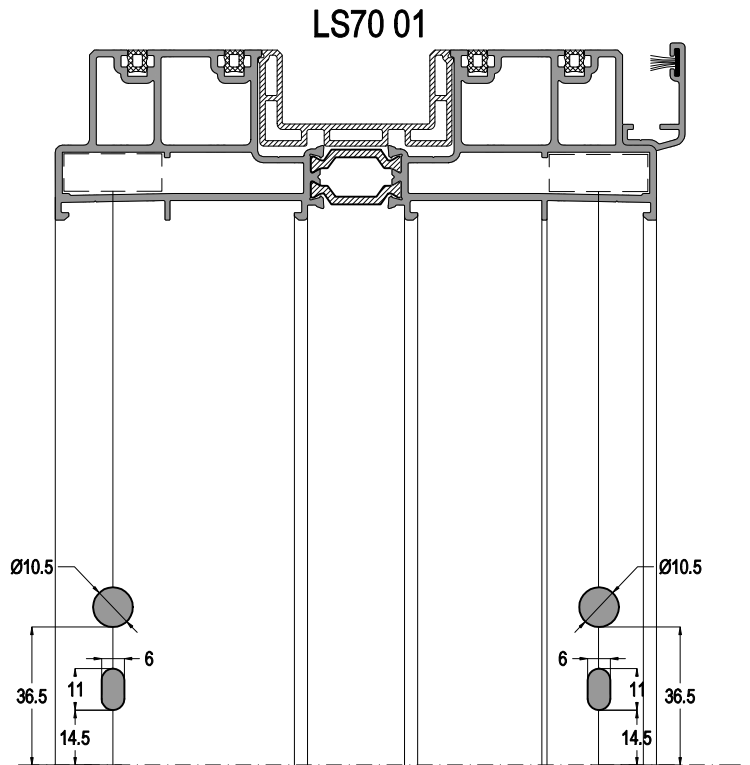
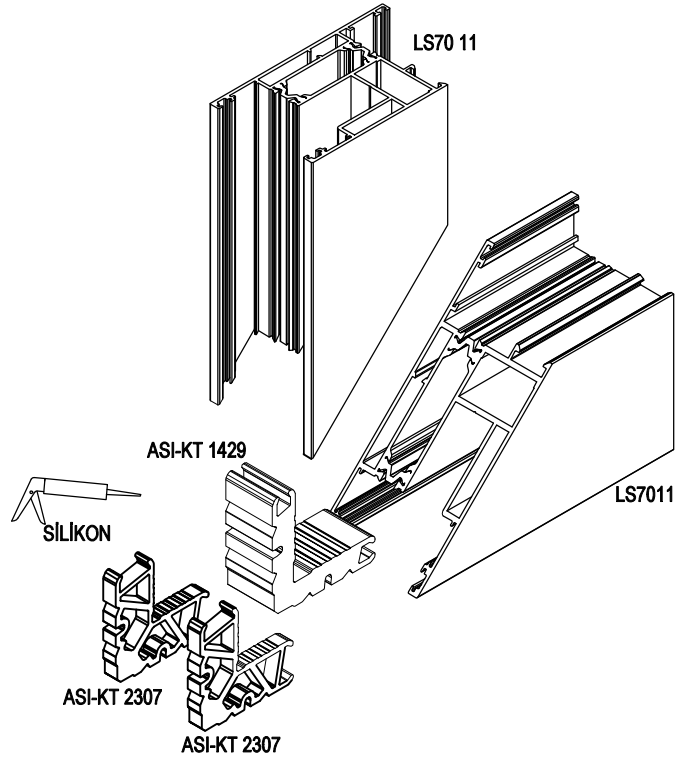
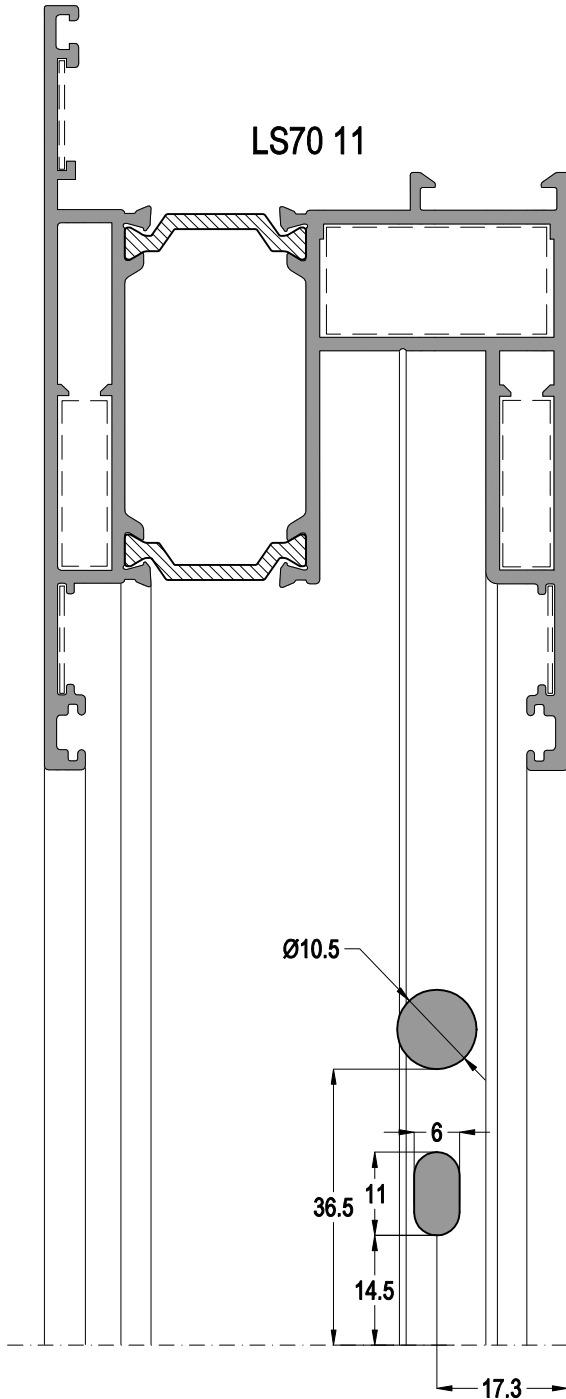


LS70 - 1,8mm

YALITIMLI KALDIR-SÜR SİSTEMİ
THERMAL LIFT&SLIDE SYSTEM

ASISTAL

KANAT - KASA KÖŞE BAĞLANTI MONTAJI ASSEMBLY FOR FRAME & SASH

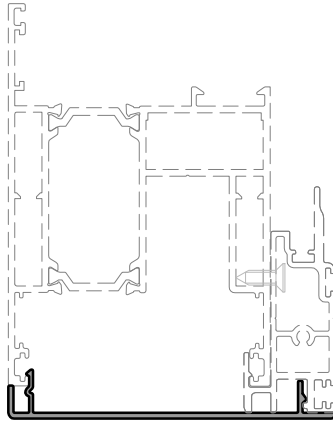
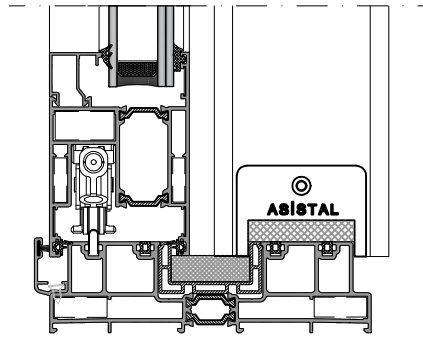


LS70 - 1,8mm

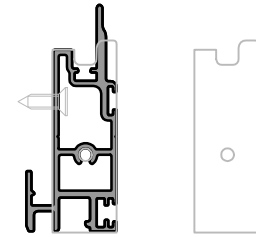
YALITIMLI KALDIR-SÜR SİSTEMİ
THERMAL LIFT&SLIDE SYSTEM



KENET BAĞLANTI MONTAJI 45° ASSEMBLY FOR CENTRAL LOCKING 45°

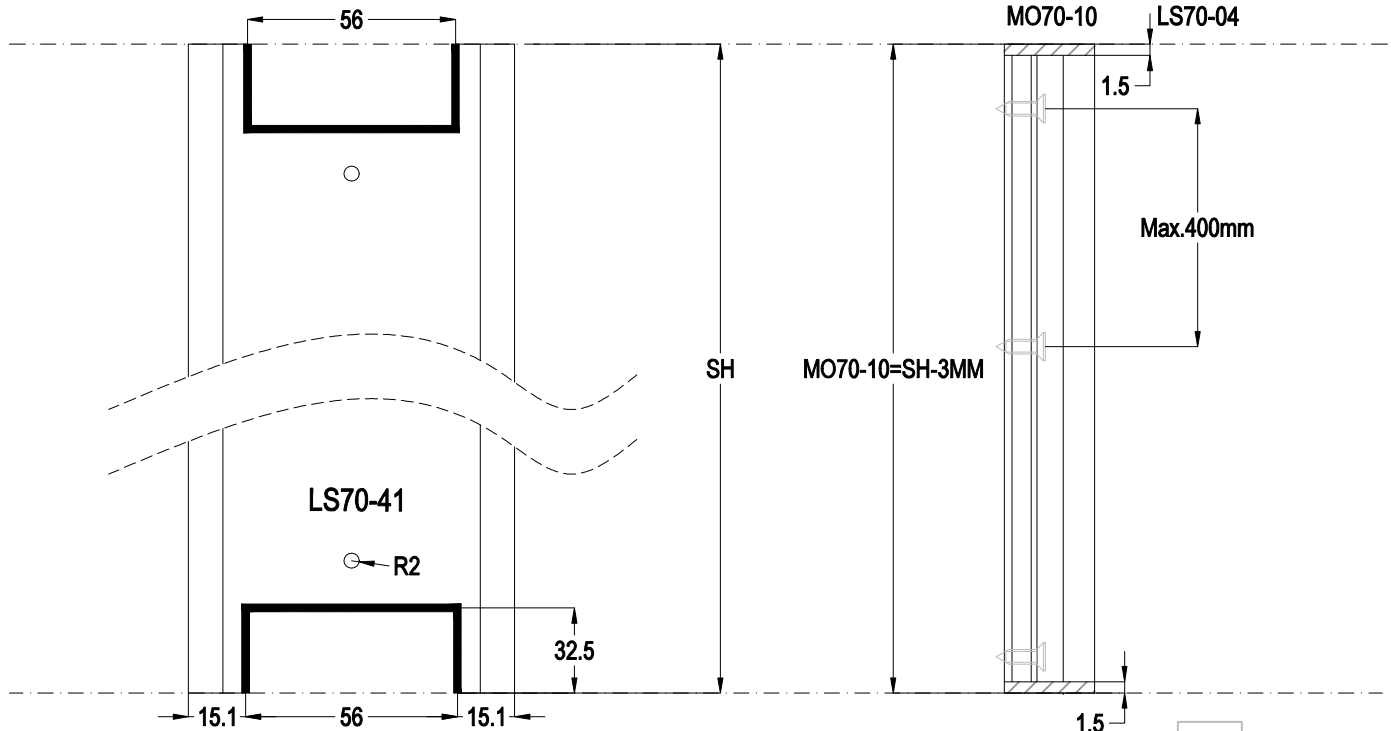


LS70-41



MO70-10

LS70-04



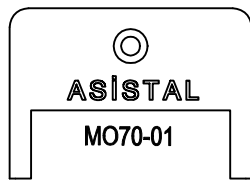
LS70-41

R2

32.5

15.1 56 15.1

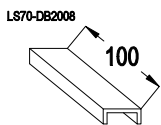
1.5



ASISTAL

MO70-01

LS70-05



LS70-DB2008

100

LS70 78

LS70 01

LS70-DB2008

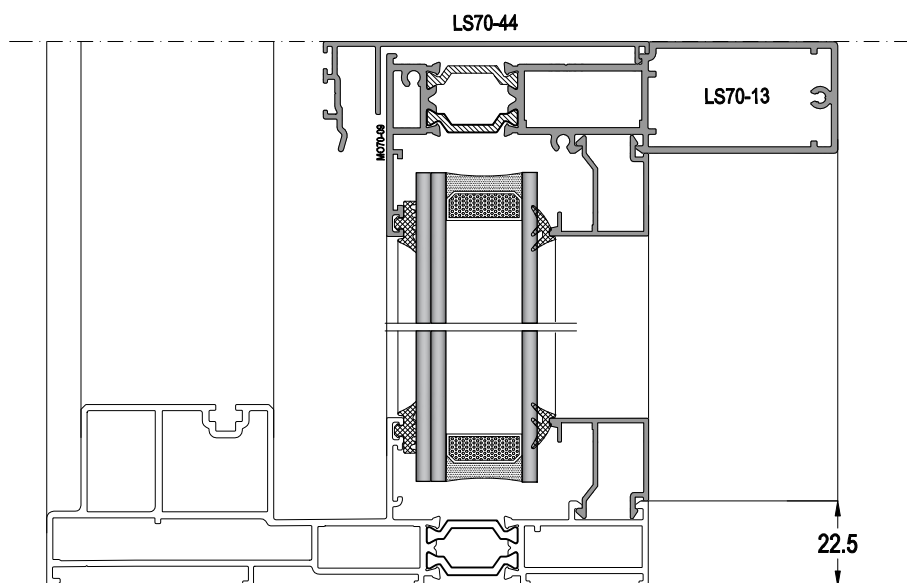
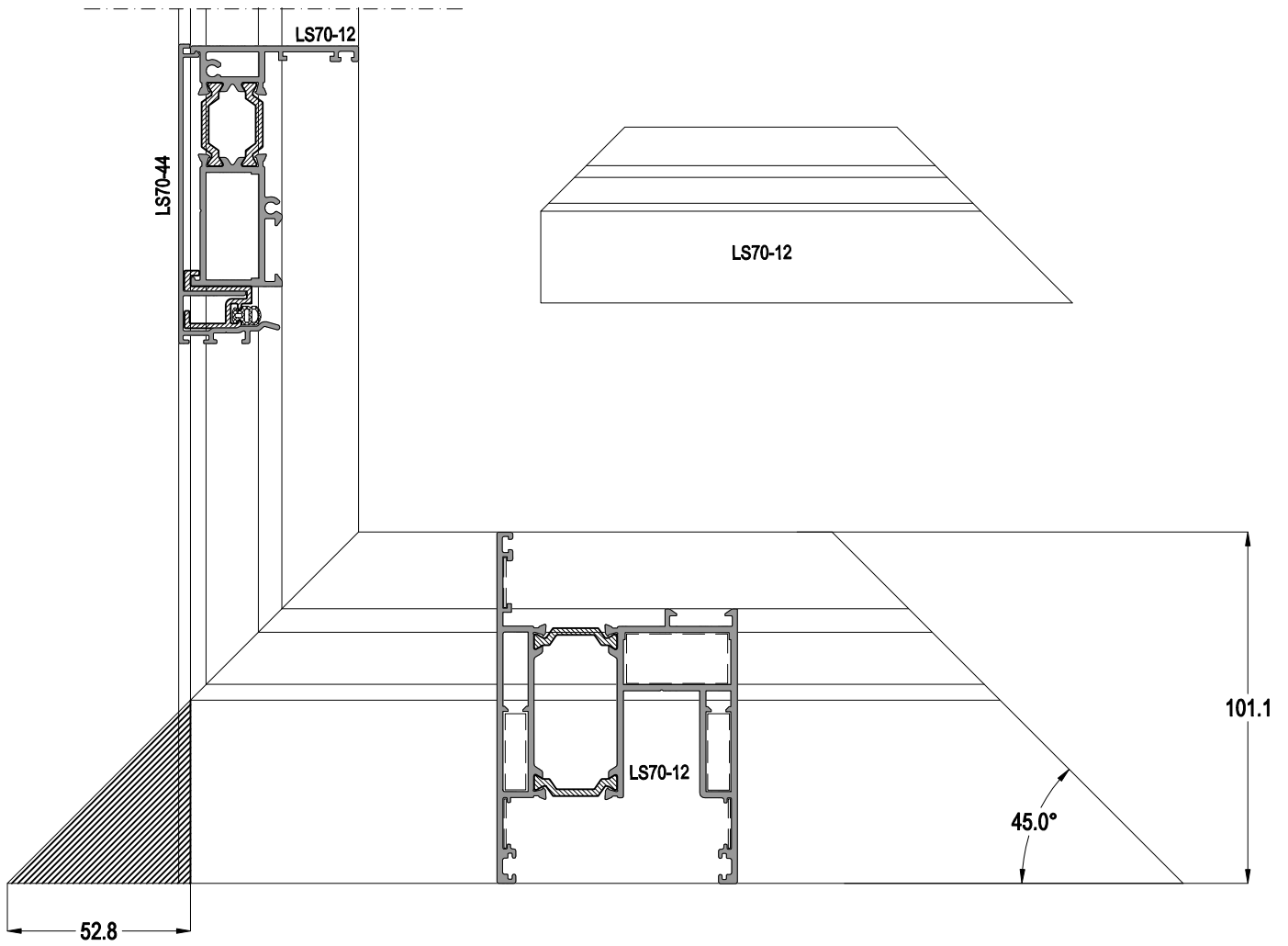
LS70-DB2008

100

Max.500

LS70 - 1,8mm

YALITIMLI KALDIR-SÜR SİSTEMİ
THERMAL LIFT&SLIDE SYSTEM



LS70 - 1,8mm

YALITIMLI KALDIR-SÜR SİSTEMİ
THERMAL LIFT&SLIDE SYSTEM

ASISTAL

MO70-TB1

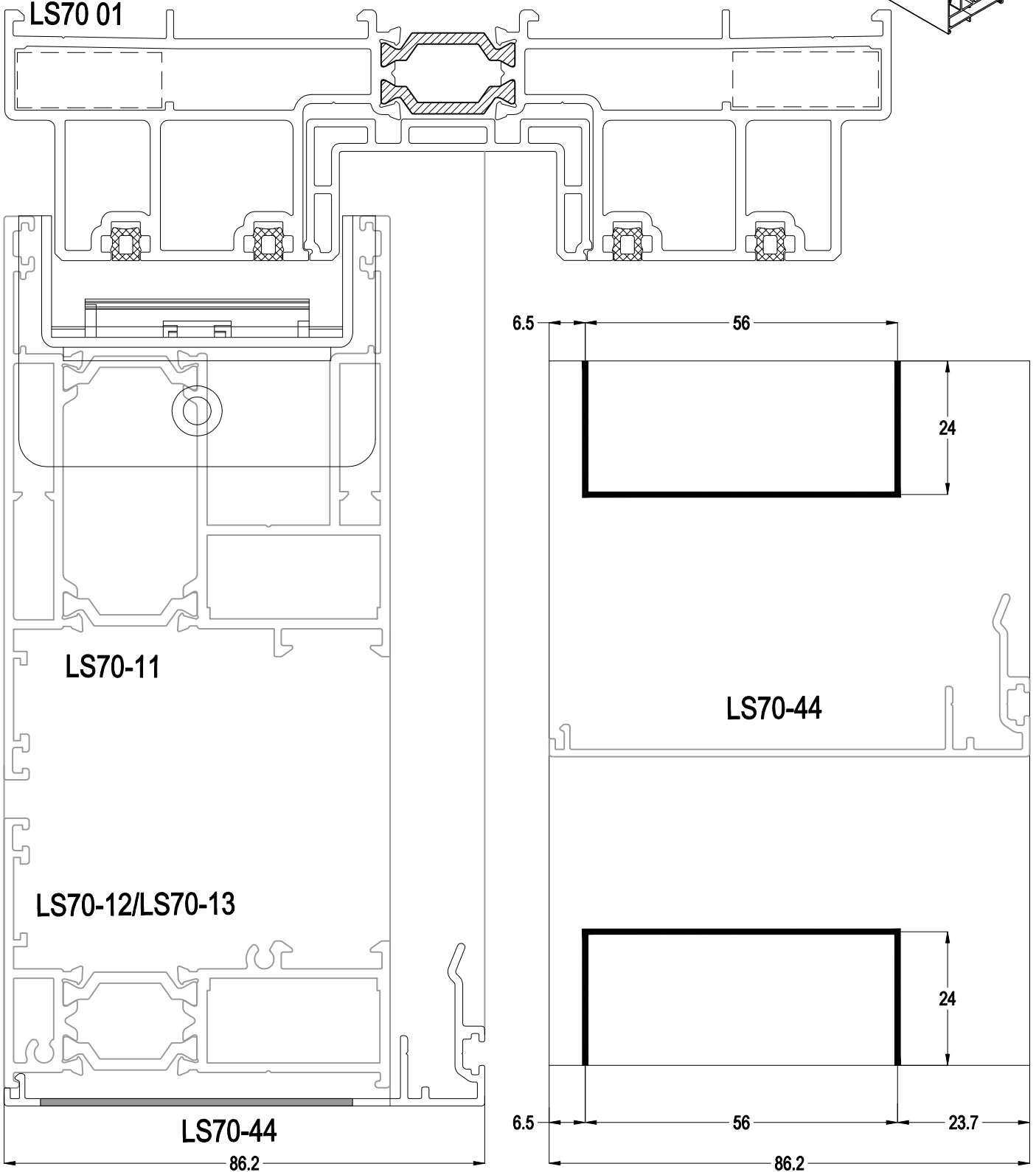
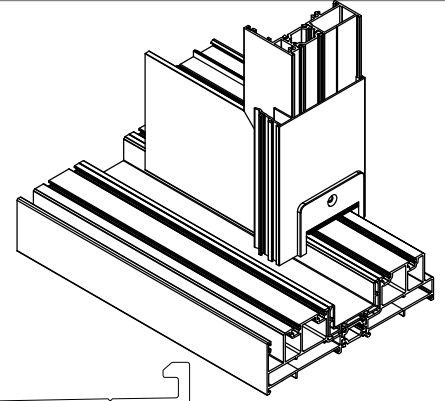
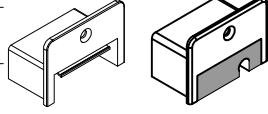
90°DAR KENET KAPAĞI
LS70-12/LS7013
NORROW INTERLOCK
ADAPTOR, FOAM

KOLI MİKTARI/Package

Takım / Set

TOP

BOTTOM

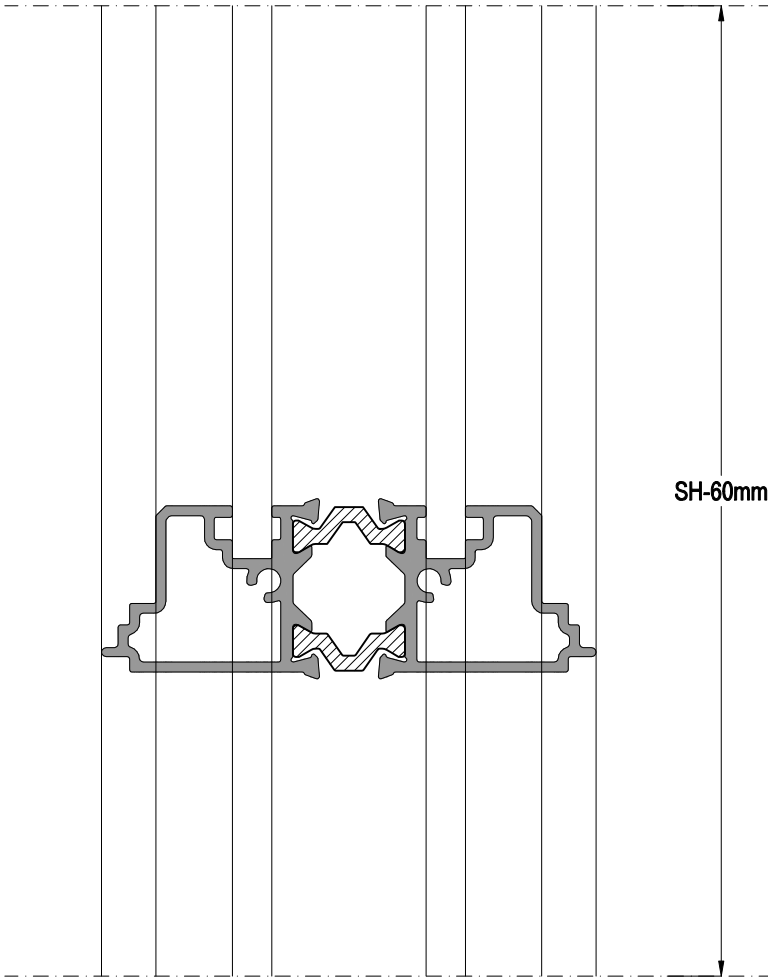


LS70 - 1,8mm

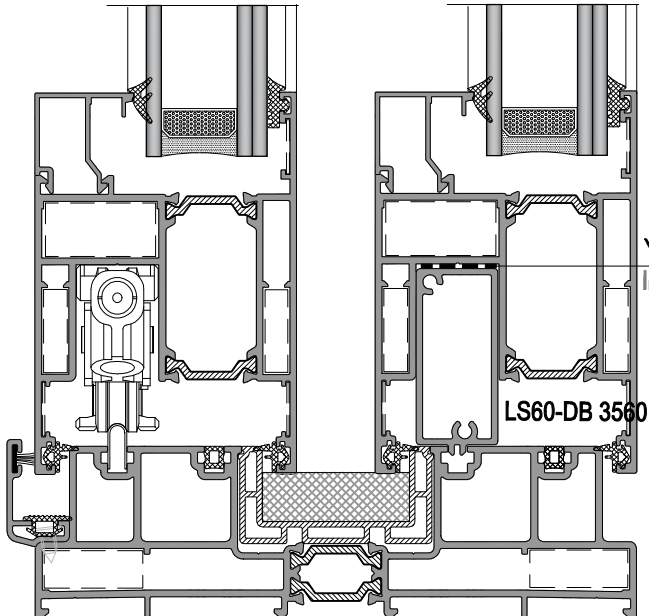
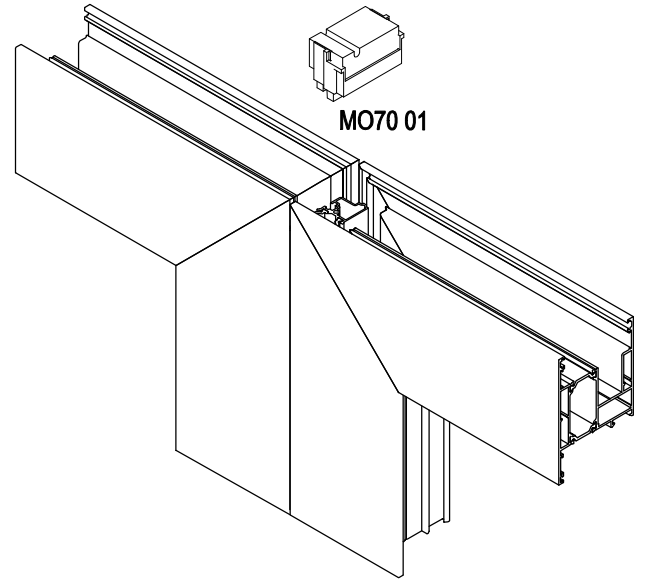
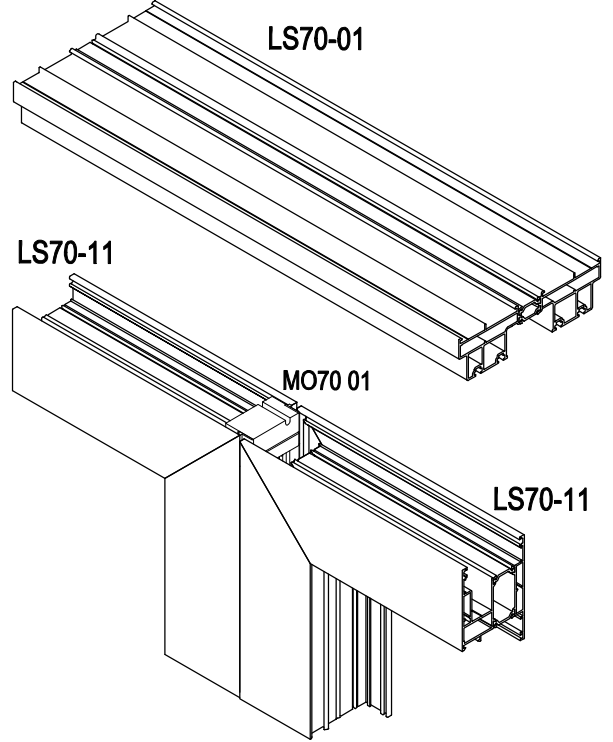
YALITIMLI KALDIR-SÜR SİSTEMİ
THERMAL LIFT&SLIDE SYSTEM



ORTA BİRLEŞİM DETAYI (LS70 42) ASSEMBLY FOR CENTRAL LOCKING

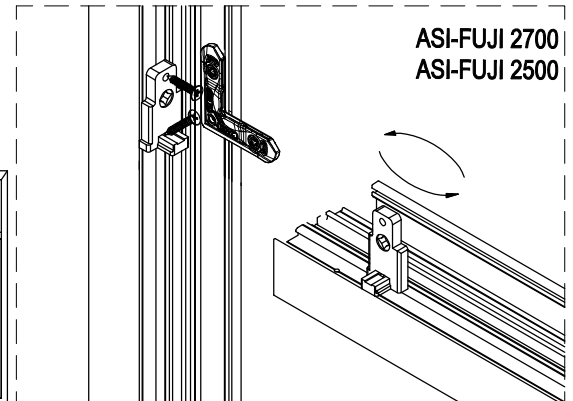
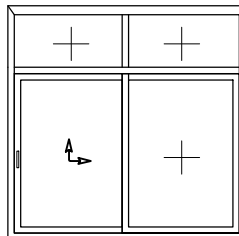


LS70 42



Yalıtım Bantı
Insulating Tape

LS60-DB 3560



ASI-FUJI 2700
ASI-FUJI 2500

LS70 - 1,8mm

YALITIMLI KALDIR-SÜR SİSTEMİ
THERMAL LIFT&SLIDE SYSTEM

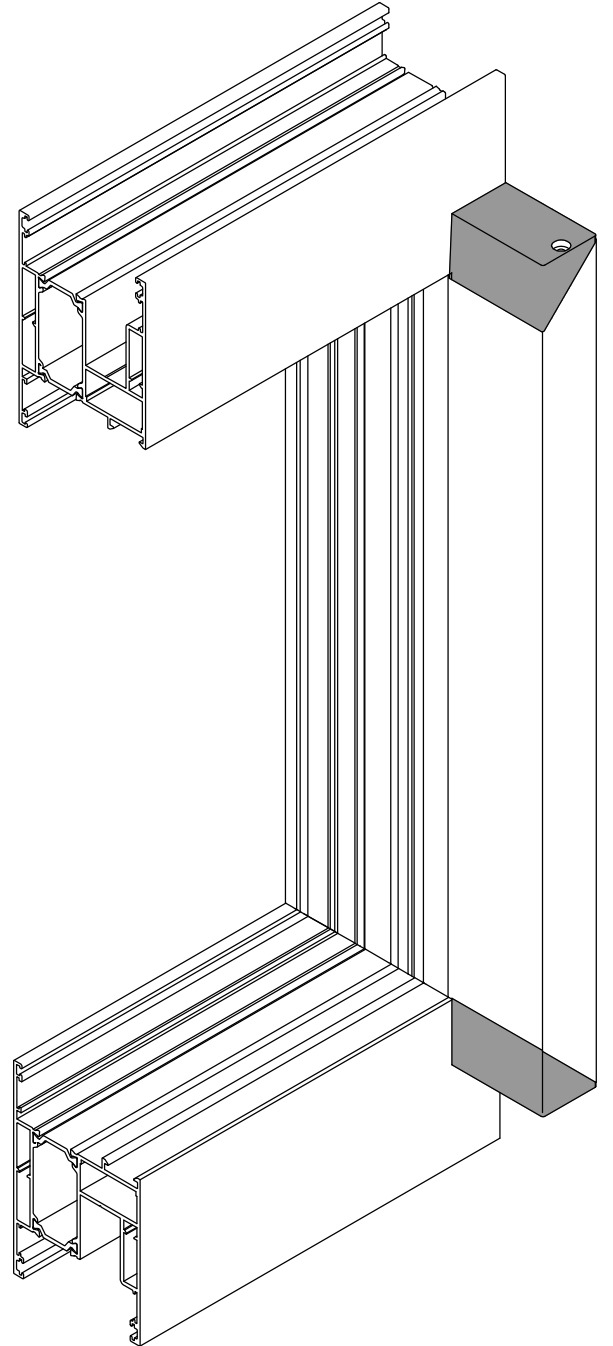
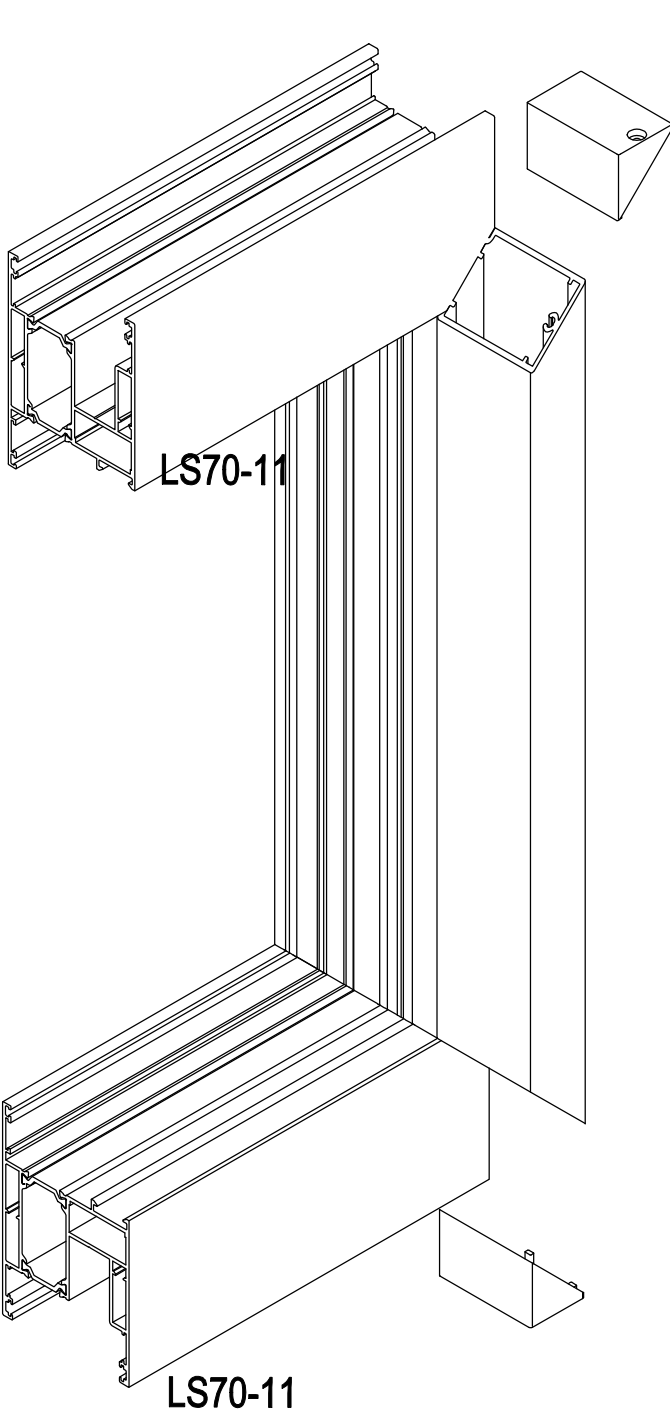
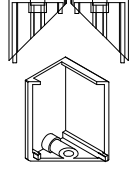


MO70-INT 01

90°DAR KENET KAPAK
TAKIMI - LS7013
COVER

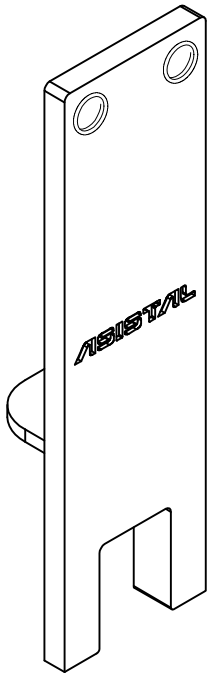
KOLİ MİKTARI/Package

Takım / Set

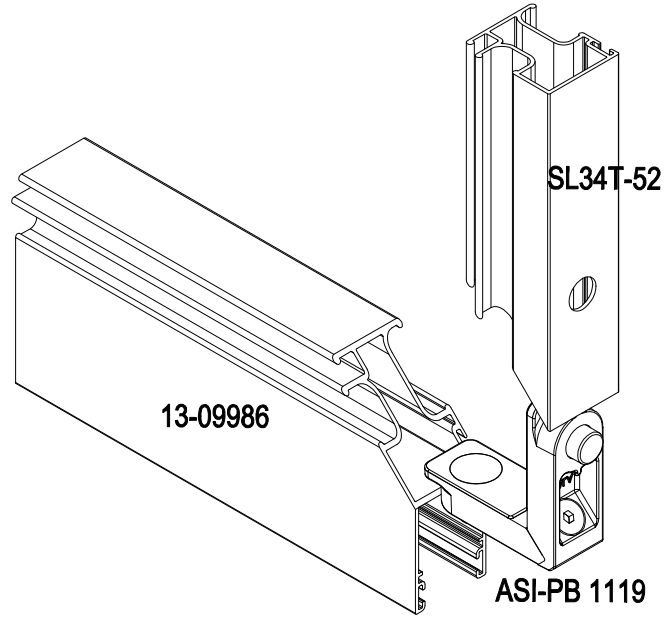


LS70 - 1,8mm

YALITIMLI KALDIR-SÜR SİSTEMİ
THERMAL LIFT&SLIDE SYSTEM



FLY-KP01

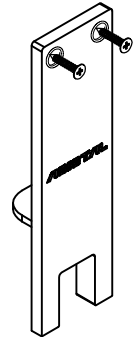


13-09986

SL34T-52

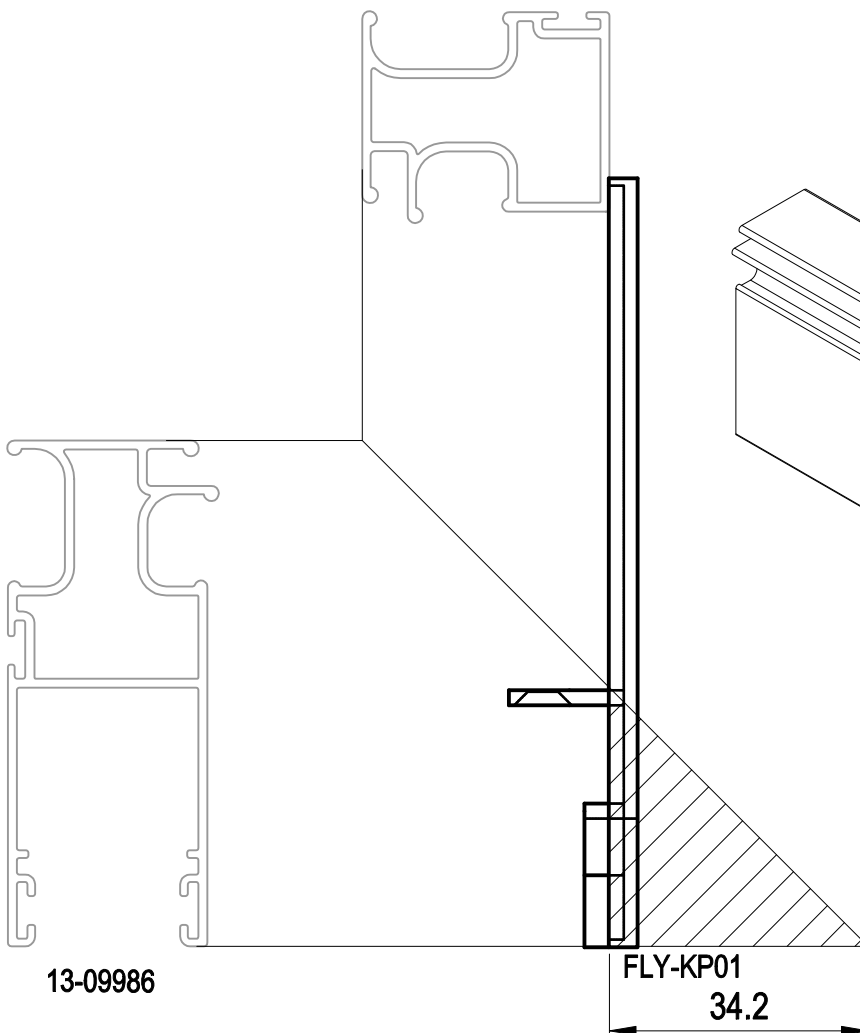
ASI-PB 1119

YHB 3.5x9.5



FLY-KP01

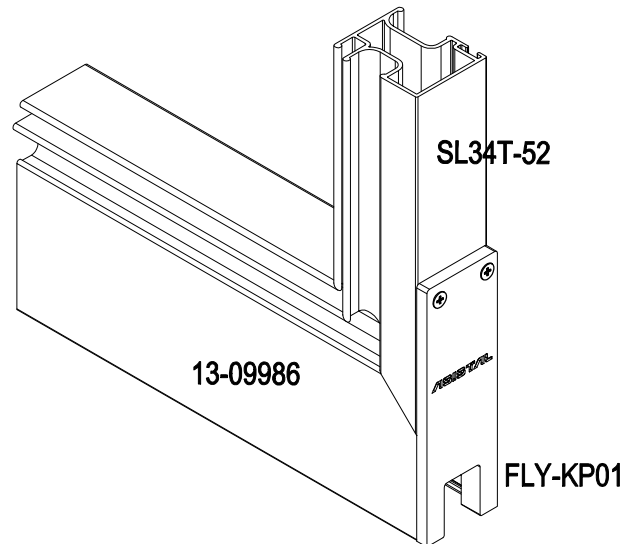
SL34T-52



13-09986

FLY-KP01

34.2



13-09986

SL34T-52

FLY-KP01

LS70 - 1,8mm

YALITIMLI KALDIR-SÜR SİSTEMİ
THERMAL LIFT&SLIDE SYSTEM

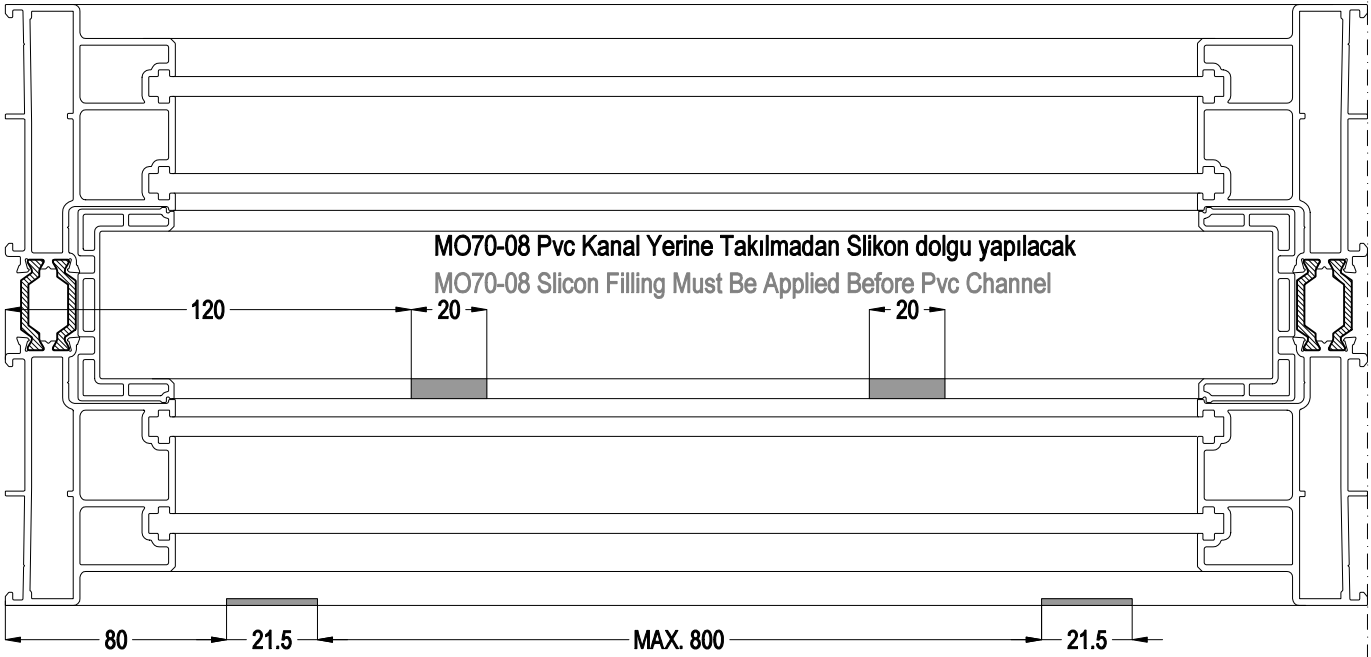
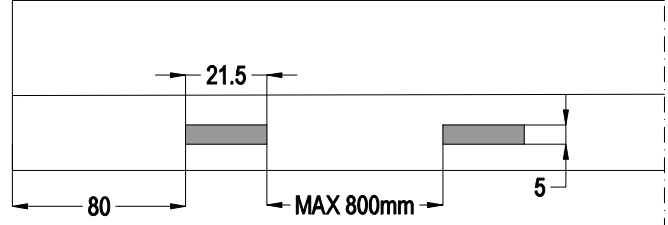
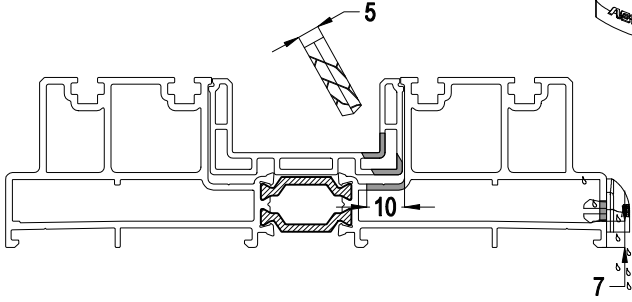
ASISTAL

SU TAHLİYE DELİKLERİ WATER DRAINAGE

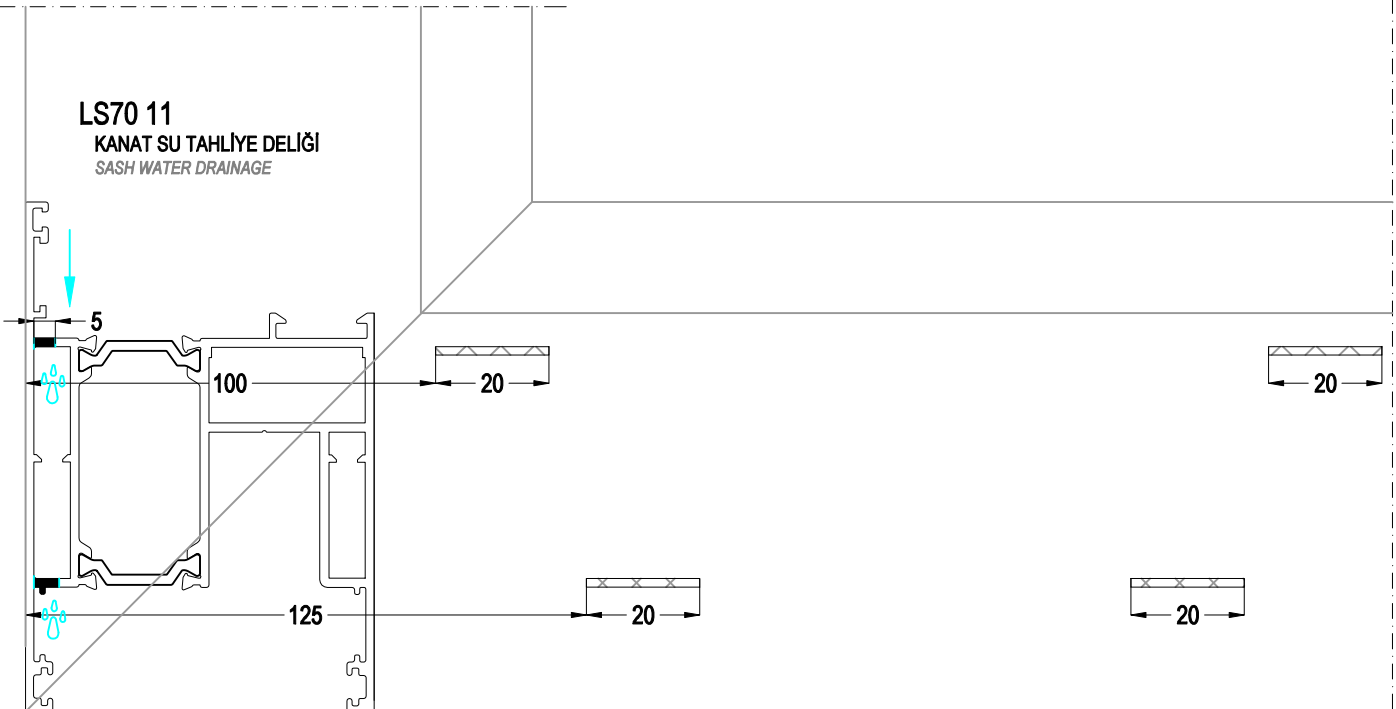
ASI-WDC 01



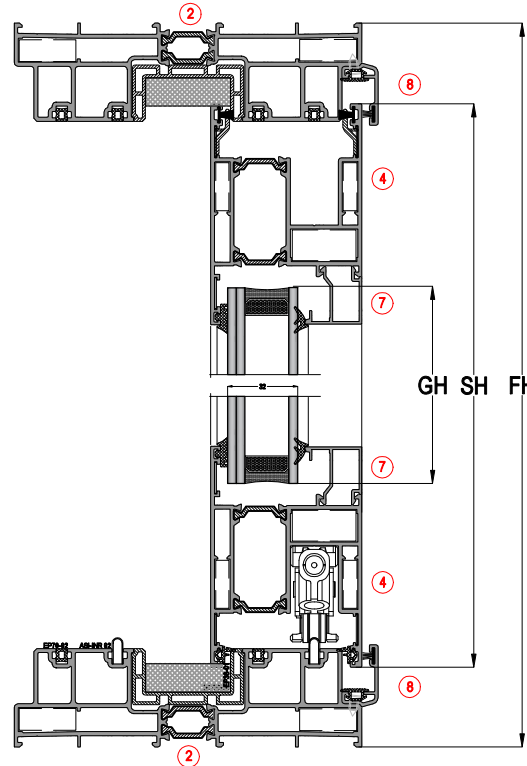
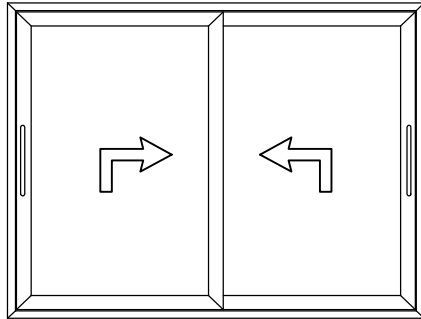
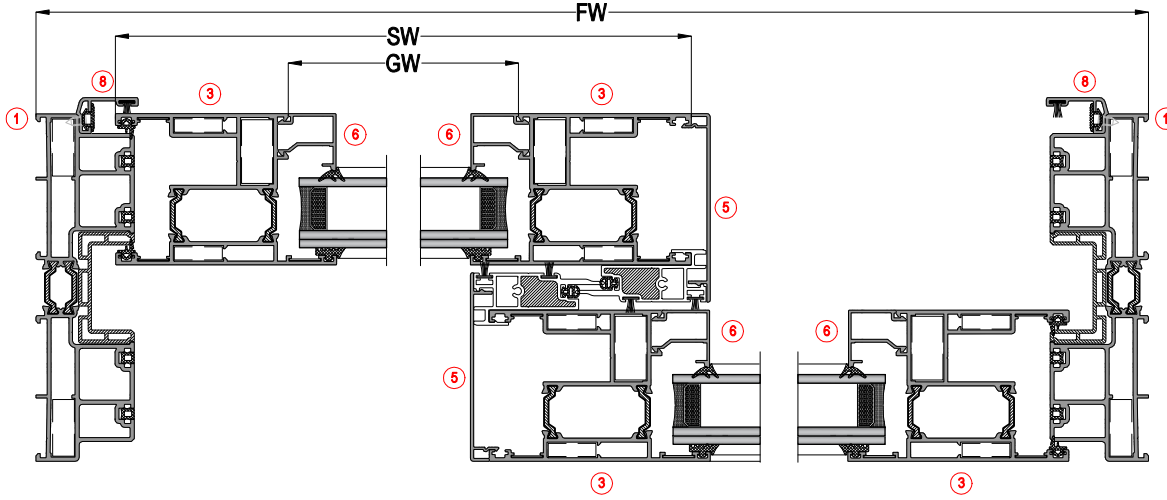
Kasa Profilinde tahliye sadece İç Kanat Profili altında yapılacaktır.
In the Frame Profile, the evacuation will only be done Under the Inner Sash Profile.



LS70 11 KANAT SU TAHLİYE DELİĞİ SASH WATER DRAINAGE



2 HAREKETLİ KANAT KESİM ÖLÇÜLERİ 2 SLIDING SASHES CUTTING SIZE



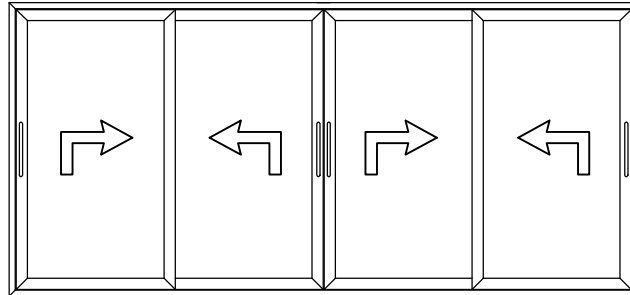
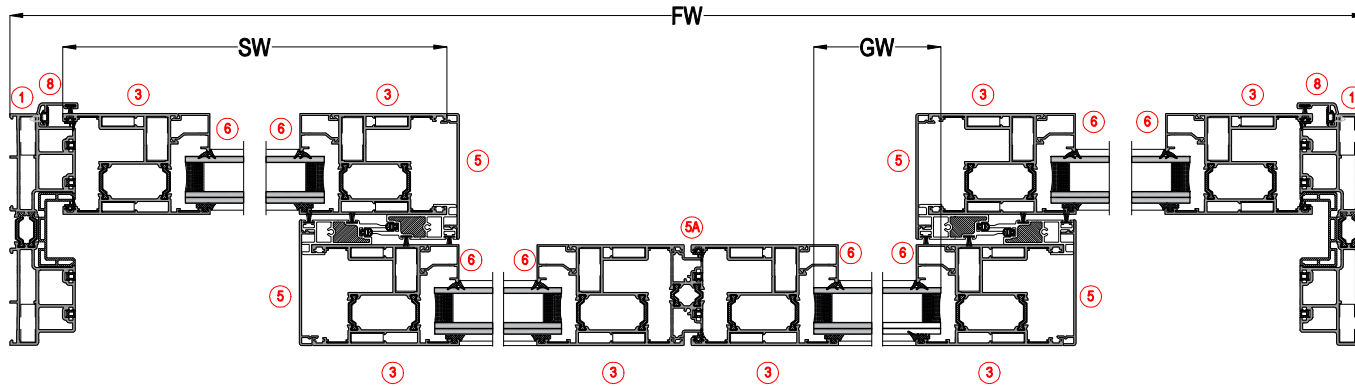
CAM KESİM ÖLÇÜLERİ / GLASS CUTTING SIZES		
KOD / Code	TANIMI / Description	KESİM ÖLÇÜSÜ / Cutting Dimensions
GW	CAM GENİŞLİK / Sash Glass Width	GW=SW-170,4mm
GH	CAM YÜKSEKLİK / Sash Glass Height	GH=SH-170,4mm

PROFİLLER / PROFILES					
NO / Number	ADET / Unit	KOD / Code	PROFİL ÇİZİMİ / Drawing	PROFİL TANIMI / Description	KESİM ÖLÇÜSÜ / Cutting Dimensions
1	2	LS70 01		DÜŞEY KASA PROFİLİ / Vertical Frame Profile	FH
2	2	LS70 01		YATAY KASA PROFİLİ / Horizontal Frame Profile	FW
3	4	LS70 11		DÜŞEY KANAT PROFİLİ / Vertical Sash Profile	SH=FW-73,5mm
4	4	LS70 11		YATAY KANAT PROFİLİ / Horizontal Sash Profile	SW=(FW/2)+9,9mm
5	2	LS70 41		KENET PROFİLİ / Central Locking Profile	LS70 41=SH
6	4	11_026		DÜŞEY CAM ÇİTASI / Vertical Glazing Bead	G1=SH-200,2mm
7	4	11_026		YATAY CAM ÇİTASI / Horizontal Glazing Bead	G2=SW-158,2mm
8	4	LS70 61		DAMLALIK PROFİLİ / Drip profile	FW-19,6/(FH-19,6)
PVC	2	MO70-10		KENET PVC PROFİLİ / Central Locking PVC Profile	SH-3mm
PVC	2	MO70-08		YATAY KASA KANAL PVC / Horizontal PVC Channel Profile	FW-39,2mm
PVC	2	MO70-08		YATAY KASA KANAL PVC / Horizontal PVC Channel Profile	FH-39,2mm
Steel	2	ASI-NR 02		ÇELİK RAY PROFİLİ / Steel Rail Profile	FW-82mm

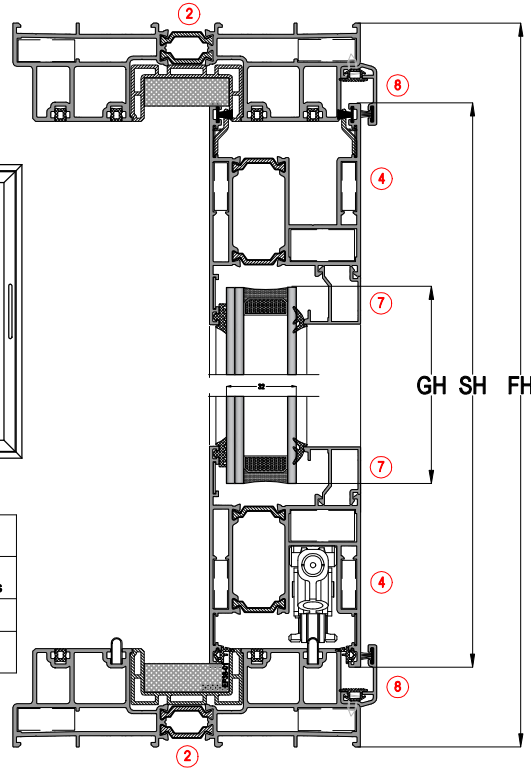
FİTİLLER / GASKETS				
MIKTAR / Unit	KOD / Code	PROFİL ÇİZİMİ / Drawing	PROFİL TANIMI / Description	KESİM ÖLÇÜSÜ / Cutting Dimensions
MT	EP1-01		DIŞ CAM FİTİLİ / Outer Glazing Gasket	4x(G1+G2)
MT	EP2-01		İÇ CAM FİTİLİ / Inner Glazing Gasket	4x(G1+G2)
MT	TR-FIN-700		KANAT ÜST FİTİLİ / Sash Top Gasket	4 x SW
MT	EP60-04		KENET FİTİLİ / Central Locking Gasket	2 x SH
MT	EP38T-01		KANAT FİTİLİ / Sash Gasket	(4xSH)+(4xSW)
MT	EP70-02		KASA FİTİLİ / Frame Gasket	(8xSH) +(6xFW)
MT	KF 67-600		FİRÇA FİTİL / Brush Gasket - 6mm	(2xSH)+(2xFW)
MT	KF 67-700		FİRÇA FİTİL / Brush Gasket - 7mm	4 x SH

AKSESUARLAR / ACCESSORIES				
4 Adet / Pcs	MO70-01		KENET KAPAĞI / Interlock Profile Cap	
2 Adet / Pcs	MO70-03		MO70-10 ALT KAPAK PROFİLİ / Bottom Cover Profile	
2 Adet / Pcs	MO70-04		MO70-10 ÜST KAPAK PROFİLİ / Top Cover Profile	
2 Adet / Pcs	EP70-05		ALT-ÜST HAVA KESİCİ / Central Sealing - Bottom-Top	
8 Adet / Pcs	MO70-13		KANAT DENGELEME PLASTİĞİ / Sash Stabilization Spacer	
24 Adet / Pcs	ASI-SB 19.1		KÖŞE GÖNYESİ / Corner Alignment	
8 Adet / Pcs	ASI-PB 1126 ASI-KT 1126		KÖŞE TAKOZU veya PİMLİ BAĞLANTI / Corner Joint Pres or Pin	
8 Adet / Pcs	ASI-KT 1429		KÖŞE TAKOZU / Pres Corner Joint	
16 Adet / Pcs	ASI-KT 2307		KÖŞE TAKOZU / Pres Corner Joint	
2 Takım / Set	LS60-MEK1		KALDIR-SÜR MEKANİZMASI / Lift&Slide Mechanism	

4 LÜ KANAT KESİM ÖLÇÜLERİ 4 SLIDING SASHES CUTTING SIZE



CAM KESİM ÖLÇÜLERİ / GLASS CUTTING SIZES		
KOD / Code	TANIMI / Description	KESİM ÖLÇÜSÜ / Cutting Dimensions
GW	CAM GENİŞLİK / Sash Glass Width	GW=SW-170,4mm
GH	CAM YÜKSEKLİK / Sash Glass Height	GH=SH-170,4mm



PROFİLLER / PROFILES

SIRA NO / Number	ADET / Unit	KOD / Code	PROFİL ÇİZİMİ / Drawing	PROFİL TANIMI / Description	KESİM ÖLÇÜSÜ / Cutting Dimensions
1	2	LS70 01		DÜŞEY KASA PROFİLİ / Vertical Frame Profile	FH
2	2	LS70 01		YATAY KASA PROFİLİ / Horizontal Frame Profile	FW
3	8	LS70 11		DÜŞEY KANAT PROFİLİ / Vertical Sash Profile	SH=FW-73,5mm
4	8	LS70 11		YATAY KANAT PROFİLİ / Horizontal Sash Profile	SW=FW/4+27mm
5A	1	LS70-42		ADAPTÖR PROFİLİ / Adapter Profile	LS60 41=SH-60mm
5	4	LS70 41		KENET PROFİLİ / Central Locking Profile	LS70 41=SH
6	8	11_026		DÜŞEY CAM ÇİTASI / Vertical Glazing Bead	G1=SH-202mm
7	8	11_026		YATAY CAM ÇİTASI / Horizontal Glazing Bead	G2=SW-158mm
8	4	LS70 61		DAMLALIK PROFİLİ / Drip profile	FW-19,6/(FH-19,6)
PVC	4	MO70-10		KENET PVC PROFİLİ / Central Locking PVC Profile	SH-3mm
PVC	2	MO70-08		YATAY KASA KANAL PVC / Horizontal PVC Channel Profile	FW-39,2
PVC	2	MO70-08		DÜŞEY KASA KANAL PVC / Vertical PVC Channel Profile	FH-39,2
Steel	2	ASH-NR 02		ÇELİK RAY PROFİLİ / Steel Rail Profile	FW-82mm

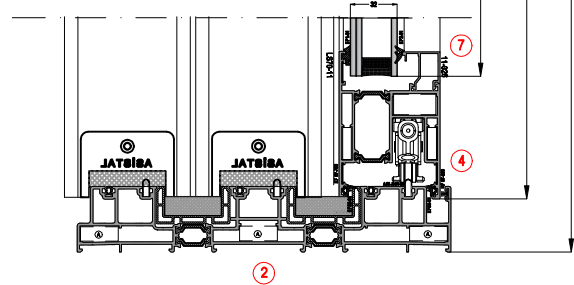
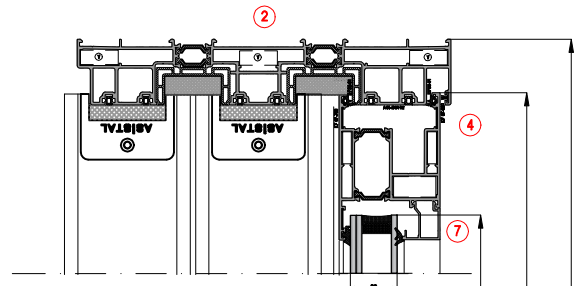
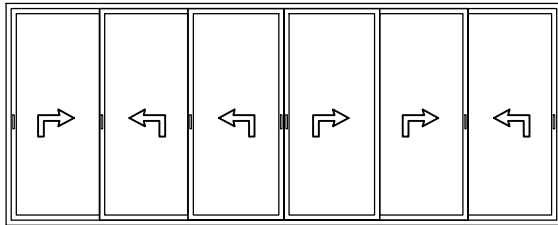
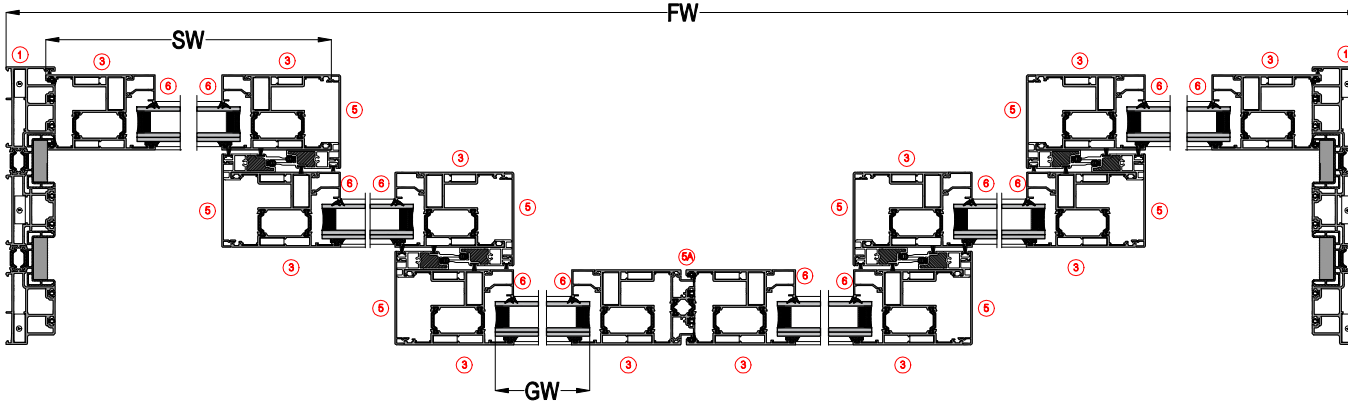
FİTİLLER / GASKETS

MİKTAR / Unit	KOD / Code	PROFİL ÇİZİMİ / Drawing	PROFİL TANIMI / Description	KESİM ÖLÇÜSÜ / Cutting Dimensions
MT	EP1-01		DIŞ CAM FİTİLİ / Outer Glazing Gasket	8x(G1+G2)
MT	EP2-01		İÇ CAM FİTİLİ / Inner Glazing Gasket	8x(G1+G2)
MT	TR-FIN-700		KANAT ÜST FİTİLİ / Sash Top Gasket	8 x SW
MT	EP60-04		KENET FİTİLİ / Central Locking Gasket	4 x SH
MT	EP38T-01		KANAT FİTİLİ / Sash Gasket	(6xSH)+(8xSW)
MT	EP70-02		KASA FİTİLİ / Frame Gasket	(8xSH) +(6xFW)
MT	KF 67-600		FİRÇA FİTİL / Brush Gasket - 6mm	(2xSH)+(2xFW)
MT	KF 67-700		FİRÇA FİTİL / Brush Gasket - 7mm	8xSH

AKSESUARLAR / ACCESSORIES

8 Adet / Pos	MO70-01		KENET KAPAĞI / Interlock Profile Cap	
4 Adet / Pos	MO70-03		MO70-10 ALT KAPAK PROFİLİ / Bottom Cover Profile	
4 Adet / Pos	MO70-04		MO70-10 ÜST KAPAK PROFİLİ / Top Cover Profile	
4 Adet / Pos	EP70-05		ALT-ÜST HAVA KESİCİ / Central Sealing - Bottom-Top	
16 Adet / Pcs	MO70-13		KANAT DENGELEME PLASTİĞİ / Sash Stabilization Spacer	
48 Adet / Pos	ASI-SB 19.1		KÖŞE GÖNYESİ / Corner Alignment	
8 Adet / Pos	ASI-PB 1126 ASI-KT 1126		KÖŞE TAKOZU veya PİMLİ BAĞLANTI / Corner Joint Pres or Pin	
16 Adet / Pos	ASI-KT 1429		KÖŞE TAKOZU / Pres Corner Joint	
32 Adet / Pos	ASI-KT 2307		KÖŞE TAKOZU / Pres Corner Joint	
2 Takım / Set	LS60-MEK1		KALDIR-SÜR MEKANİZMASI / Lift&Slide Mechanism	
1 Takım / Set	LS60-MEK1D		KALDIR-SÜR MEKANİZMASI / Lift&Slide Mechanism	
2 Adet / Pos	MO70-12		ADAPTÖR KAPAĞI / Adapter Cover	

6 LI KANAT KESİM ÖLÇÜLERİ 6 SLIDING SASHES CUTTING SIZE



CAM KESİM ÖLÇÜLERİ / GLASS CUTTING SIZES

KOD / Code	TANIMI / Description	KESİM ÖLÇÜSÜ / Cutting Dimensions
GW	CAM GENİŞLİK / Sash Glass Width	GW=SW-170,4mm
GH	CAM YÜKSEKLİK / Sash Glass Height	GH=SH-170,4mm

PROFİLLER / PROFILES

SIRA NO / Number	ADET / Unit	KOD / Code	PROFİL ÇİZİMİ / Drawing	PROFİL TANIMI / Description	KESİM ÖLÇÜSÜ / Cutting Dimensions
1	2	LS70 05		DÜŞEY KASA PROFİLİ / Vertical Frame Profile	FH
2	2	LS70 05		YATAY KASA PROFİLİ / Horizontal Frame Profile	FW
3	12	LS70 11		DÜŞEY KANAT PROFİLİ / Vertical Sash Profile	SH=FW-73,5mm
4	12	LS70 11		YATAY KANAT PROFİLİ / Horizontal Frame Profile	SW=FW6+48,8mm
5A	1	LS70-42		ADAPTÖR PROFİLİ / Adapter Profile	LS60 41=SH-60mm
5	4	LS70 41		KENET PROFİLİ / Central Locking Profile	LS70 41=SH
6	12	11_026		DÜŞEY CAM ÇİTASI / Vertical Glazing Bead	G1=SH-202mm
7	12	11_026		YATAY CAM ÇİTASI / Horizontal Glazing Bead	G2=SW-158mm
PVC	8	MO70-10		KENET PVC PROFİLİ / Central Locking PVC Profile	SH-3mm
PVC	4	MO70-08		YATAY KASA KANAL PVC / Horizontal PVC Channel Profile	FW-39,2
PVC	4	MO70-08		DÜŞEY KASA KANAL PVC / Vertical PVC Channel Profile	FH-39,2
Stel	3	ASH-NR 02		ÇELİK RAY PROFİLİ / Steel Rail Profile	FW-82mm

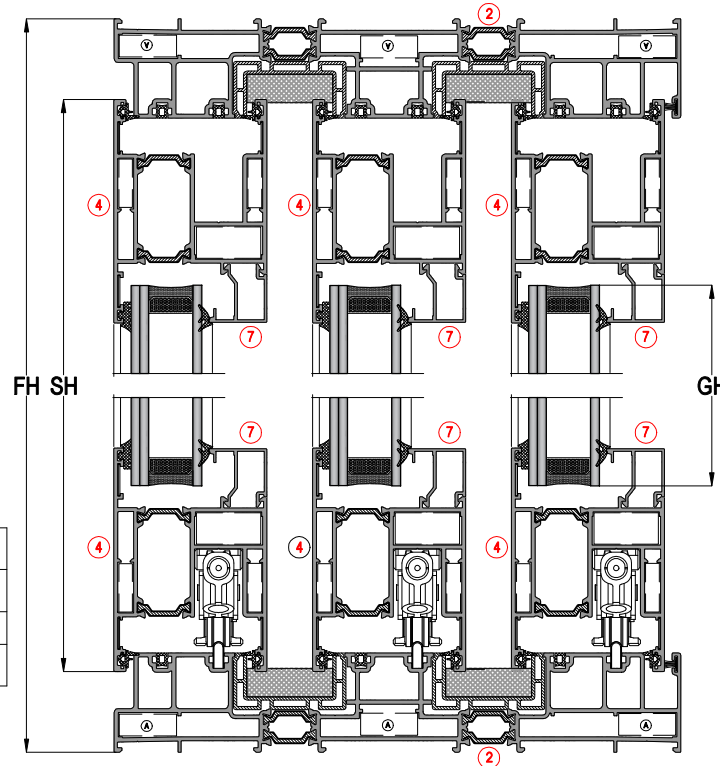
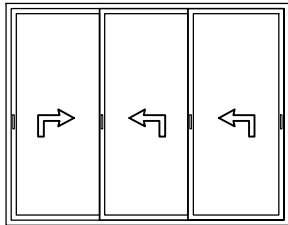
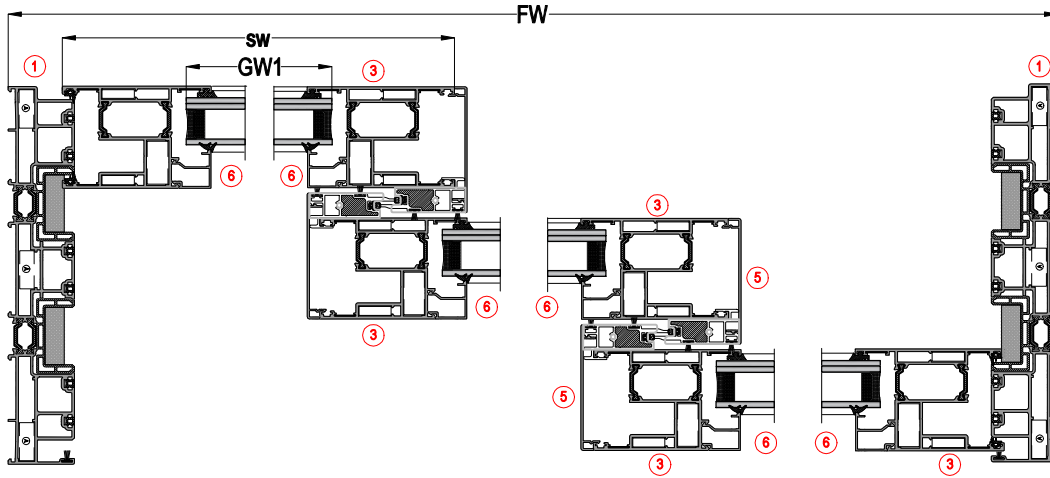
FİTİLLER / GASKETS

MİKTAR / Unit	KOD / Code	PROFİL ÇİZİMİ / Drawing	PROFİL TANIMI / Description	KESİM ÖLÇÜSÜ / Cutting Dimensions
MT	EP1-01		DIŞ CAM FİTİLİ / Outer Glazing Gasket	12x(G1+G2)
MT	EP2-01		İÇ CAM FİTİLİ / Inner Glazing Gasket	12x(G1+G2)
MT	TR-FIN-700		KANAT ÜST FİTİLİ / Sash Top Gasket	12 x SW
MT	EP60-04		KENET FİTİLİ / Central Locking Gasket	8 x SH
MT	EP38T-01		KANAT FİTİLİ / Sash Gasket	(10xSH)+(12xSW)
MT	EP70-02		KASA FİTİLİ / Frame Gasket	(12xFH) +(10x FW)
MT	KF 67-600		FİRÇA FİTİL / Brush Gasket - 6mm	(2xFH)+(2xFW)
MT	KF 67-700		FİRÇA FİTİL / Brush Gasket - 7mm	12xSH

AKSESUARLAR / ACCESSORIES

16 Adet / Pos	MO70-01		KENET KAPAĞI / Interlock Profile Cap	
8 Adet / Pos	MO70-03		MO70-10 ALT KAPAK PROFİLİ / Bottom Cover Profile	
8 Adet / Pos	MO70-04		MO70-10 ÜST KAPAK PROFİLİ / Top Cover Profile	
8 Adet / Pos	EP70-05		ALT-ÜST HAVA KESİCİ / Central Sealing - Bottom-Top	
24 Adet / Pos	MO70-13		KANAT DENGELEME PLASTİĞİ / Sash Stabilization Spacer	
72 Adet / Pos	ASI-SB 19.1		KÖŞE GÖNYESİ / Corner Alignment	
12 Adet / Pos	ASI-PB 1126 ASI-KT 1126		KÖŞE TAKOZU veya PİMLİ BAĞLANTI / Corner Joint Pres or Pin	
24 Adet / Pos	ASI-KT 1429		KÖŞE TAKOZU / Pres Corner Joint	
48 Adet / Pos	ASI-KT 2307		KÖŞE TAKOZU / Pres Corner Joint	
4 Takım / Set	LS60-MEK1		KALDIR-SÜR MEKANİZMASI / Lift&Slide Mechanism	
1 Takım / Set	LS60-MEK1D		KALDIR-SÜR MEKANİZMASI / Lift&Slide Mechanism	
2 Adet / Pos	MO70-12		ADAPTÖR KAPAĞI / Adapter Cover	

3 LÜ KANAT KESİM ÖLÇÜLERİ 3 SLIDING SASHES CUTTING SIZE



CAM KESİM ÖLÇÜLERİ / GLASS CUTTING SIZES

KOD / Code	TANIMI / Description	KESİM ÖLÇÜSÜ / Cutting Dimensions
GW	CAM GENİŞLİK / Sash Glass Width	GW=SW-170,4mm
GH	CAM YÜKSEKLİK / Sash Glass Height	GH=SH-170,4mm

PROFİLLER / PROFILES

SIRA NO / Number	ADET / Unit	KOD / Code	PROFİL ÇİZİMİ / Drawing	PROFİL TANIMI / Description	KESİM ÖLÇÜSÜ / Cutting Dimensions
1	2	LS70 05		DÜŞEY KASA PROFİLİ / Vertical Frame Profile	FH
2	2	LS70 05		YATAY KASA PROFİLİ / Horizontal Frame Profile	FW
3	6	LS70 11		DÜŞEY KANAT PROFİLİ / Vertical Sash Profile	SH=FW-73,5mm
4	6	LS70 11		YATAY KANAT PROFİLİ / Horizontal Sash Profile	SW=FW/3+37,1mm
5	4	LS70 41		KENET PROFİLİ / Central Locking Profile	LS70 41=SH
6	6	11_026		DÜŞEY CAM ÇİTASI / Vertical Glazing Bead	G1=SH-202mm
7	6	11_026		YATAY CAM ÇİTASI / Horizontal Glazing Bead	G2=SW-158mm
PVC	4	MO70-10		KENET PVC PROFİLİ / Central Locking PVC Profile	SH-3mm
PVC	4	MO70-08		YATAY KASA KANAL PVC / Horizontal PVC Channel Profile	FW-39,2
PVC	4	MO70-08		DÜŞEY KASA KANAL PVC / Vertical PVC Channel Profile	FH-39,2
Stel	3	ASH-NR 02		ÇELİK RAY PROFİLİ / Steel Rail Profile	FW-82mm

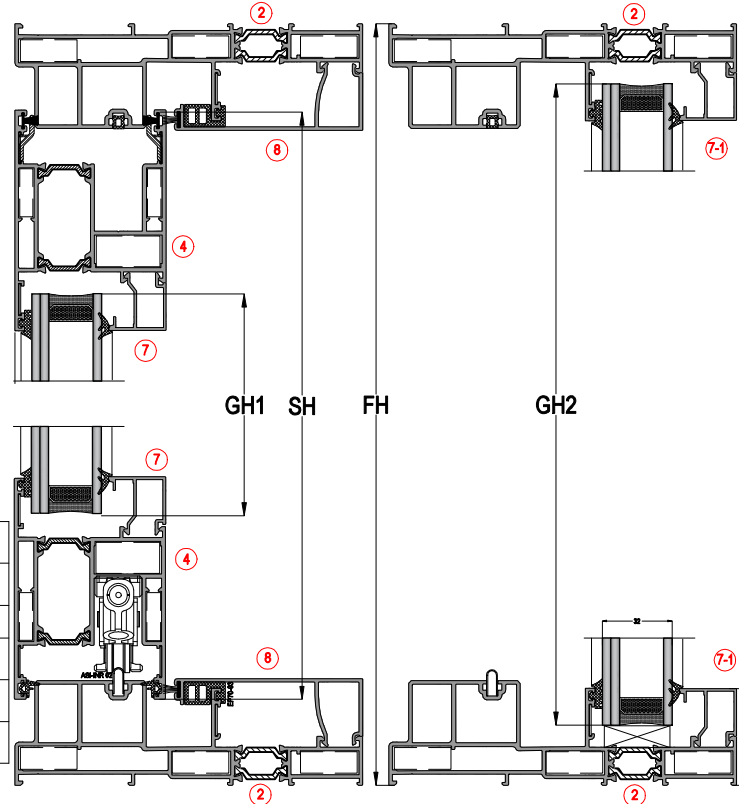
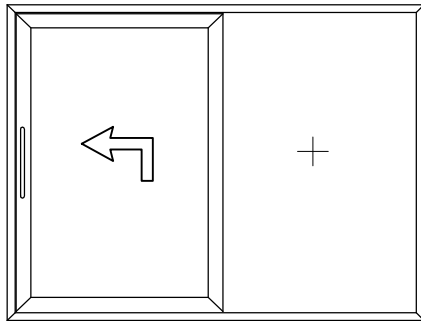
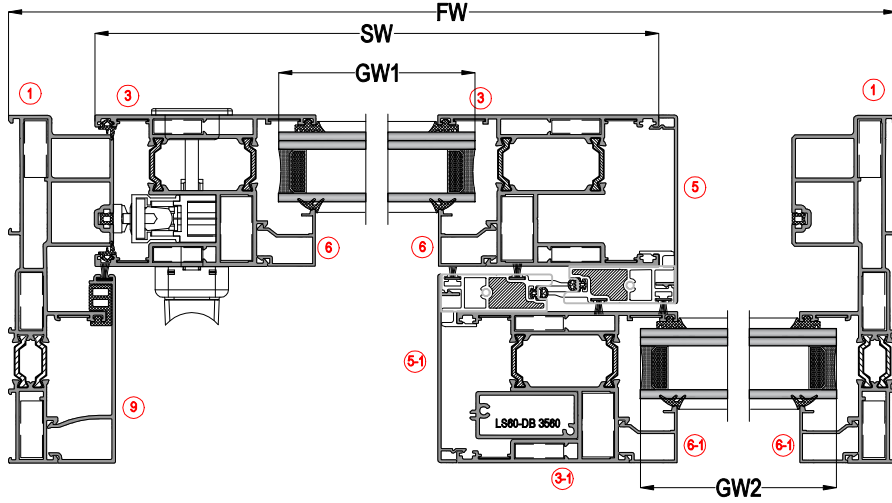
FİTİLLER / GASKETS

MİKTAR / Unit	KOD / Code	PROFİL ÇİZİMİ / Drawing	PROFİL TANIMI / Description	KESİM ÖLÇÜSÜ / Cutting Dimensions
MT	EP1-01		DIŞ CAM FİTİLİ / Outer Glazing Gasket	6x(G1+G2)
MT	EP2-01		İÇ CAM FİTİLİ / Inner Glazing Gasket	6x(G1+G2)
MT	TR-FIN-700		KANAT ÜST FİTİLİ / Sash Top Gasket	6 x SW
MT	EP60-04		KENET FİTİLİ / Central Locking Gasket	4 x SH
MT	EP38T-01		KANAT FİTİLİ / Sash Gasket	(4xSH)+(12xSW)
MT	EP70-02		KASA FİTİLİ / Frame Gasket	(12xSH)+(6xFW)
MT	KF 67-600		FİRÇA FİTİL / Brush Gasket - 6mm	(2xSH)+(2xFW)
MT	KF 67-700		FİRÇA FİTİL / Brush Gasket - 7mm	8xSH

AKSESUARLAR / ACCESSORIES

8 Adet / Pos	MO70-01		KENET KAPAĞI / Interlock Profile Cap	
4 Adet / Pos	MO70-03		MO70-10 ALT KAPAK PROFİLİ / Bottom Cover Profile	
4 Adet / Pos	MO70-04		MO70-10 ÜST KAPAK PROFİLİ / Top Cover Profile	
4 Adet / Pos	EP70-05		ALT-ÜST HAVA KESİCİ / Central Sealing - Bottom-Top	
12 Adet / Pcs	MO70-13		KANAT DENGELEME PLASTİĞİ / Sash Stabilization Spacer	
36 Adet / Pcs	ASI-SB 19.1		KÖŞE GÖNYESİ / Corner Alignment	
12 Adet / Pcs	ASI-PB 1126 ASI-KT 1126		KÖŞE TAKOZU veya PİMLİ BAĞLANTI / Corner Joint Pres or Pin	
12 Adet / Pcs	ASI-KT 1429		KÖŞE TAKOZU / Pres Corner Joint	
24 Adet / Pos	ASI-KT 2307		KÖŞE TAKOZU / Pres Corner Joint	
3 Takım / Set	LS60-MEK1		KALDIR-SÜR MEKANİZMASI / Lift&Slide Mechanism	

MONORAIL KESİM ÖLÇÜLERİ MONORAIL SYSTEM SASHES CUTTING SIZE



CAM KESİM ÖLÇÜLERİ / GLASS CUTTING SIZES

KOD / Code	TANIMI / Description	KESİM ÖLÇÜSÜ / Cutting Dimensions
GW1	KANAT CAM GENİŞLİK / Sash Glass Width	GW=SW-170,4mm
GH1	KANAT CAM YÜKSEKLİK / Sash Glass Height	GH=SH-170,4mm
GW2	SABİT CAM GENİŞLİK / Fixed Glass Width	GW1=GW2
GH2	SABİT CAM YÜKSEKLİK / Fixed Glass Height	FH-55mm

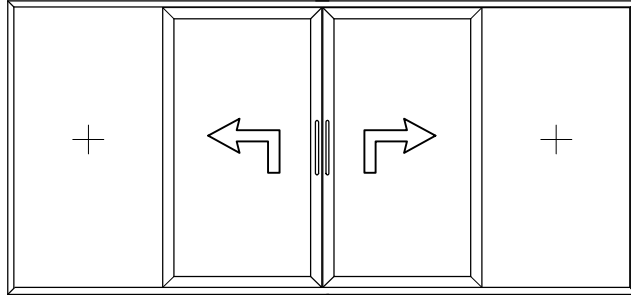
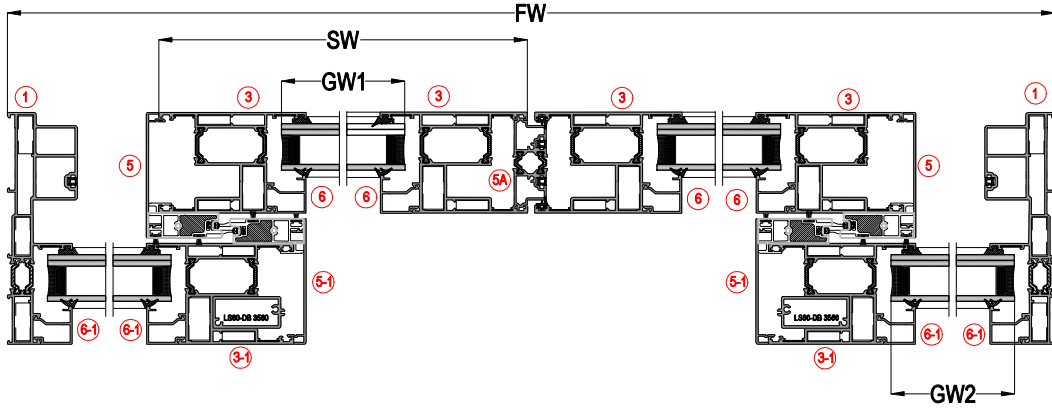
PROFİLLER / PROFILES

NO / Number	ADET / Unit	KOD / Code	PROFİL ÇİZİMİ / Drawing	PROFİL TANIMI / Description	KESİM ÖLÇÜSÜ / Cutting Dimensions
1	2	LS70 08		DÜŞEY KASA PROFİLİ / Vertical Frame Profile	FH
2	2	LS70 08		YATAY KASA PROFİLİ / Horizontal Frame Profile	FW
3	2	LS70 11		DÜŞEY KANAT PROFİLİ / Vertical Sash Profile	SH=FH-79mm
3-1	1	LS70 11		DÜŞEY SABİT KANAT PROFİLİ / Vertical Fixed Sash Profile	SH=FH-45mm
4	2	LS70 11		YATAY KANAT PROFİLİ / Horizontal Frame Profile	SW=(FW/2)+54,8mm
5	1	LS70 41		KENET PROFİLİ / Central Locking Profile	LS70 41=SH
5-1	1	LS70 41		ORTAKAYIT KENET PROFİLİ / Transom Central Locking Profile	LS70 41=FH-45
6	2	11_026		DÜŞEY CAM ÇİTASI / Vertical Glazing Bead	G1=SH-200,2mm
6-1	1	11_026		SABİT DÜŞEY CAM ÇİTASI / Fix Vertical Glazing Bead	G1=FH-68,6mm
7	2	11_026		YATAY CAM ÇİTASI / Horizontal Glazing Bead	G2=SW-158,2mm
7-1	2	11_026		SABİT YATAY CAM ÇİTASI / Horizontal Glazing Bead	G2=(FW/2)-103,6mm
8	2	LS70 40		ÜST_ALT KAPAK PROFİLİ / Top,Bottom Cover Profile	G2=(FW/2)-29,3mm
9	1	LS70 40		DÜŞEY KAPAK PROFİLİ / Vertical Cover Profile	G2=FH-98mm
PVC	1	MO70-10		KENET PVC PROFİLİ / Central Locking PVC Profile	SH-3mm
PVC	1	MO70-10		SABİT KENET PVC PROFİLİ / Central Locking PVC Profile	SH=FH-45mm
Stel	1	ASH-1NR 02		ÇELİK RAY PROFİLİ / Steel Rail Profile	FW-62mm

FİTİLLER / GASKETS

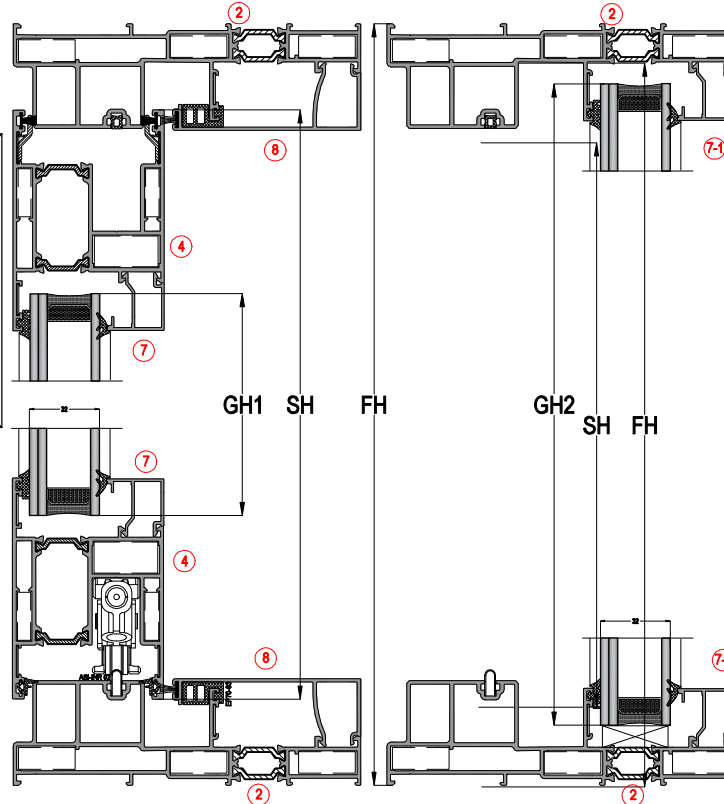
MIKTAR / Unit	KOD / Code	PROFİL ÇİZİMİ / Drawing	PROFİL TANIMI / Description	KESİM ÖLÇÜSÜ / Cutting Dimensions
MT	EP1-01		DIŞ CAM FİTİLİ / Outer Glazing Gasket	4x(G1+G2)
MT	EP2-01		İÇ CAM FİTİLİ / Inner Glazing Gasket	4x(G1+G2)
MT	TR-FIN-700		KANAT ÜST FİTİLİ / Sash Top Gasket	2 x SW
MT	EP60-04		KENET FİTİLİ / Central Locking Gasket	2 x SH
MT	EP38T-01		KANAT FİTİLİ / Sash Gasket	(2xSH)+(2xSW)
MT	EP70-02 / EP38-02		KASA FİTİLİ / Frame Gasket	(2xFH) +(1x FW)
MT	EP70-03		SABİT ÇİTA FİTİLİ / Fixed Frame Gasket	EP70-03=LS70 40
MT	KF 67-600		FİRÇA FİTİL / Brush Gasket - 6mm	(2xFH)+(2xFW)
MT	KF 67-700		FİRÇA FİTİL / Brush Gasket - 7mm	EP70-03=LS70 40
2 Adet / Pos	LS60-DB 3560		ÇEKİRME BAĞLANTI / T Connections	
2 Adet / Pos	MO70-01		KENET KAPAĞI / Interlock Profile Cap	
2 Adet / Pos	MO70-03		MO70-10 ALT KAPAK PROFİLİ / Bottom Cover Profile	
2 Adet / Pos	MO70-04		MO70-10 ÜST KAPAK PROFİLİ / Top Cover Profile	
2 Adet / Pos	MO60-05D		ALT-ÜST HAVA KESİCİ / Central Sealing - Bottom-Top	
4 Adet / Pos	MO70-13		KANAT DENGELEME PLASTİĞİ / Sash Stabilization Spacer	
12 Adet / Pos	ASI-SB 19,1		KÖŞE GÖNYESİ / Corner Alignment	
12 Adet / Pos	ASI-PB 1126 ASH-KT 1126		KÖŞE TAKOZU veya PİMLİ BAĞLANTI / Corner Joint Pres or Pin	
4 Adet / Pos	ASH-KT 1429		KÖŞE TAKOZU / Pres Corner Joint	
8 Adet / Pos	ASH-KT 2307		KÖŞE TAKOZU / Pres Corner Joint	
1 Takım / Set	LS60-MEK1		KALDIR-SÜR MEKANİZMASI / Lift&Slide Mechanism	

MONORAIL KESİM ÖLÇÜLERİ MONORAIL SYSTEM SASHES CUTTING SIZE



CAM KESİM ÖLÇÜLERİ / GLASS CUTTING SIZES

KOD / Code	TANIMI / Description	KESİM ÖLÇÜSÜ / Cutting Dimensions
GW1	KANAT CAM GENİŞLİK / Sash Glass Width	GW=SW-170,4mm
GH1	KANAT CAM YÜKSEKLİK / Sash Glass Height	GH=SH-170,4mm
GW2	SABİT CAM GENİŞLİK / Fixed Glass Width	GW1=GW2
GH2	SABİT CAM YÜKSEKLİK / Fixed Glass Height	FH-55mm



PROFİLLER / PROFILES

SIRA NO / Number	ADET / Unit	KOD / Code	PROFİL ÇİZİMİ / Drawing	PROFİL TANIMI / Description	KESİM ÖLÇÜSÜ / Cutting Dimensions
1	2	LS70 08		DÜŞEY KASA PROFİLİ / Vertical Frame Profile	FH
2	2	LS70 08		YATAY KASA PROFİLİ / Horizontal Frame Profile	FW
3	4	LS70 11		DÜŞEY KANAT PROFİLİ / Vertical Sash Profile	SH=FH-79mm
3-1	2	LS70 11		DÜŞEY SABİT KANAT PROFİLİ / Vertical Fixed Sash Profile	SH=FH-45mm
4	8	LS70 11		YATAY KANAT PROFİLİ / Horizontal Sash Profile	SW=FW/4+27mm
5A.	1	LS70-42		ADAPTÖR PROFİLİ / Adapter Profile	LS80 41=SH-60mm
5	2	LS70 41		KENET PROFİLİ / Central Locking Profile	LS70 41=SH
5-1	2	LS70 41		SABİT KENET PROFİLİ / Fix Central Locking Profile	SH=FH-45mm
6	4	11_026		DÜŞEY CAM ÇİTASI / Vertical Glazing Bead	G1=SH-202,2mm
7	4	11_026		YATAY CAM ÇİTASI / Horizontal Glazing Bead	G2=SW-168mm
6-1	4	11_026		SABİT DÜŞEY CAM ÇİTASI / Vertical Glazing Bead	G1=FH-88,6mm
7-1	4	11_026		SABİT YATAY CAM ÇİTASI / Horizontal Glazing Bead	G2=(FW/4)-84,9mm
8	2	LS70 40		ÜST_ALT KAPAK PROFİLİ / Top,Bottom Cover Profile	(FW/2)-50,8
PVC	2	M070-10		KENET PVC PROFİLİ / Central Locking PVC Profile	SH-3mm
PVC	2	M070-10		KENET PVC PROFİLİ / Central Locking PVC Profile	FH-45mm
Steel	1	ASH-INR 02		ÇELİK RAY PROFİLİ / Steel Rail Profile	FW-82mm

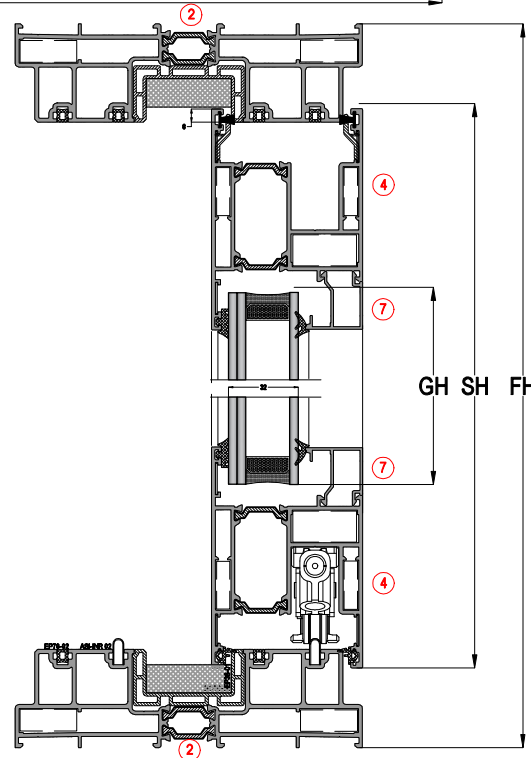
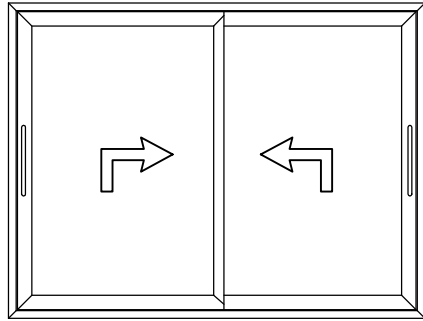
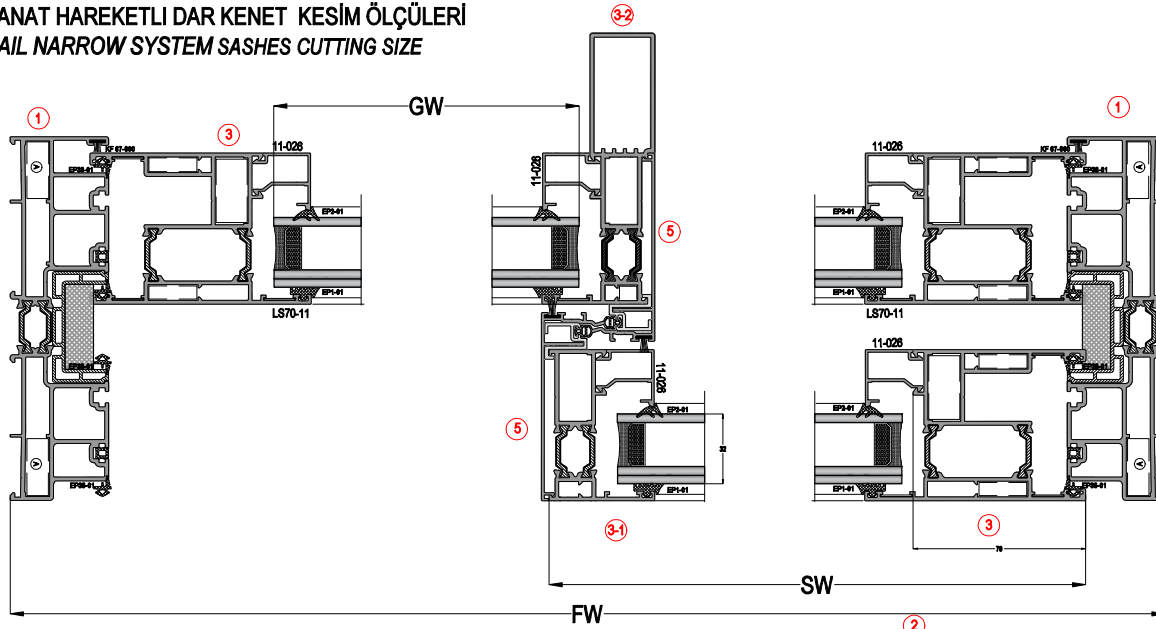
FİTİLLER / GASKETS

MİKTAR / Unit	KOD / Code	PROFİL ÇİZİMİ / Drawing	PROFİL TANIMI / Description	KESİM ÖLÇÜSÜ / Cutting Dimensions
MT	EP1-01		DIŞ CAM FİTİLİ / Outer Glazing Gasket	8x(G1+G2)
MT	EP2-01		İÇ CAM FİTİLİ / Inner Glazing Gasket	8x(G1+G2)
MT	TRI-FIN-700		KANAT ÜST FİTİLİ / Sash Top Gasket	4 x SW
MT	EP60-04		KENET FİTİLİ / Central Locking Gasket	4 x SH
MT	EP38T-01		KANAT FİTİLİ / Sash Gasket	(6xSH)-(8xSW)
MT	EP70-02/EP3-02		KASA FİTİLİ / Frame Gasket	(2xFH) -(1x FW)
MT	EP70-03		SABİT ÇİTA FİTİLİ / Fixed Frame Gasket	EP70-03=LS70 40
MT	KF 67-600		FİRÇA FİTİLİ / Brush Gasket - 6mm	(2xFH)-(2xFW)
MT	KF 67-700		FİRÇA FİTİLİ / Brush Gasket - 7mm	2xSW

AKSESUARLAR / ACCESSORIES

4 Adet / Pcs	M070-01		KENET KAPAĞI / Interlock Profile Cap	
2 Adet / Pcs	M070-03		M070-10 ALT KAPAK PROFİLİ / Bottom Cover Profile	
2 Adet / Pcs	M070-04		M070-10 ÜST KAPAK PROFİLİ / Top Cover Profile	
2 Adet / Pcs	M060-05D		ALT-ÜST HAVA KESİCİ / Central Sealing - Bottom-Top	
8 Adet / Pcs	M070-13		KANAT DENGELEME PLASTİĞİ / Sash Stabilization Spacer	
28 Adet / Pcs	ASI-SB 19.1		KÖŞE GÖNYESİ / Corner Alignment	
12 Adet / Pcs	ASI-PB 1126 ASI-KT 1126		KÖŞE TAKOZU veya PİMLİ BAĞLANTI / Corner Joint Pres or Pin	
8 Adet / Pcs	ASI-KT 1429		KÖŞE TAKOZU / Pres Corner Joint	
16 Adet / Pcs	ASI-KT 2307		KÖŞE TAKOZU / Pres Corner Joint	
4 Adet / Pcs	LS80-DB 3560		ÇEKTİRME BAĞLANTI / T Connections	
1 Takım / Set	LS80-MEK1D		KALDIR-SÜR MEKANİZMASI / Lift&Slide Mechanism	
2 Adet / Pcs	M070-12		ADAPTÖR KAPAĞI / Adapter Cover	

2 KANAT HAREKETLİ DAR KENET KESİM ÖLÇÜLERİ 2 RAIL NARROW SYSTEM SASHES CUTTING SIZE



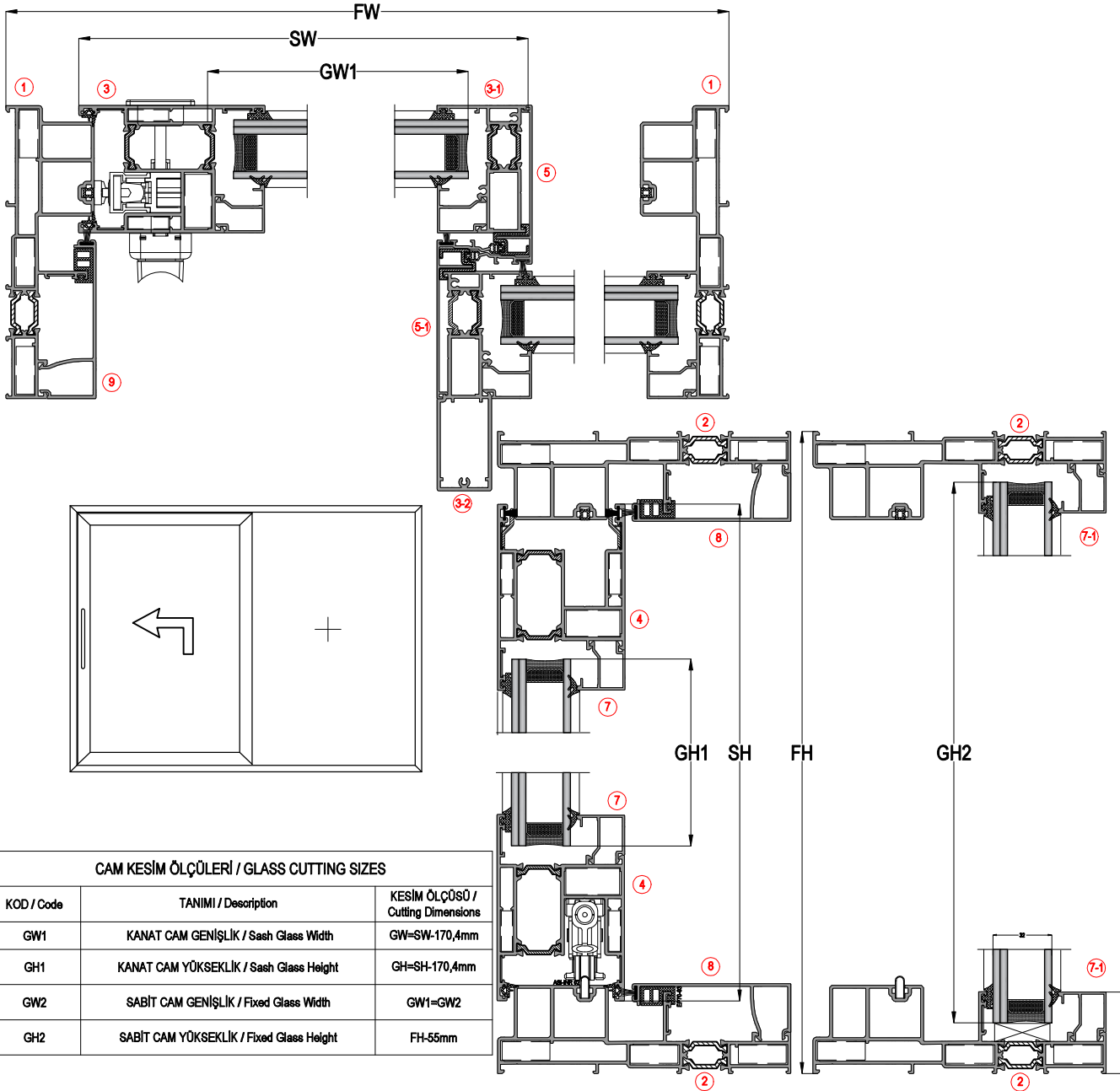
PROFİLLER / PROFILES					
NO / Number	ADET / Unit	KOD / Code	PROFİL ÇİZİMİ / Drawing	PROFİL TANIMI / Description	KESİM ÖLÇÜSÜ / Cutting Dimensions
1	2	LS70 02/03/04/		DÜŞEY KASA PROFİLİ / Vertical Frame Profile	FH
2	2	LS70 02/03/04/		YATAY KASA PROFİLİ / Horizontal Frame Profile	FW
3	1	LS70 11		DÜŞEY KANAT PROFİLİ / Vertical Sash Profile	SH=FH-73,5mm
4	2	LS70 11		YATAY KANAT PROFİLİ / Horizontal Sash Profile	SW=(FW/2)+39mm
3-1	1	LS70 12		DAR KANAT PRO./Central Locking Profile	SH-105,4 mm
3-2	1	LS70 13		TAKVİYELİ DAR KANAT PRO./Central Locking Profile	SH-99,4 mm
5	2	LS70 44		KENET ADAPTOR PROFİLİ / Central Locking Profile	SH
6	2	11_026		DÜŞEY CAM ÇİTASI / Vertical Glazing Bead	G1=SH-168
7	1	11_026		YATAY CAM ÇİTASI / Horizontal Glazing Bead	G1=SH-168
PVC	1	MO70-09		KENET PVC PROFİLİ / Central Locking PVC Profile	SH=FH-73mm
Steel	1	ASI-INR 02		ÇELİK RAY PROFİLİ / Steel Rail Profile	FW=82mm

FİTİLLER / GASKETS				
MİKTAR / Unit	KOD / Code	PROFİL ÇİZİMİ / Drawing	PROFİL TANIMI / Description	KESİM ÖLÇÜSÜ / Cutting Dimensions
MT	EP1-01		DIŞ CAM FİTİLİ / Outer Glazing Gasket	4x(G1+G2)
MT	EP2-01		İÇ CAM FİTİLİ / Inner Glazing Gasket	4x(G1+G2)
MT	TRI-FIN-700		KANAT ÜST FİTİLİ / Sash Top Gasket	4 x SW
MT	EP60-04		KENET FİTİLİ / Central Locking Gasket	2 x SH
MT	EP38T-01		KANAT FİTİLİ / Sash Gasket	(2xSH)+(2xSW)
MT	EP70-02 / EP38-02		KASA FİTİLİ / Frame Gasket	(2xFH) +(1x FW)
MT	KF 67-700		FİRÇA FİTİLİ / Brush Gasket - 7mm	(EP70-03=LS70 40)+(2xFH)+(2xFW)
2 Takım / Set	MO70-TB1		KENET KAPAĞI / Interlock Profile Cap	
1 Takım / Set	MO70-INT 01		LS70-13 KENET KAPAĞI / Interlock Profile Cap	
2 Adet / Pos	MO60-05D		ALT-ÜST HAVA KESİCİ / Central Sealing - Bottom-Top	
4 Adet / Pos	MO70-13		KANAT DENGELEME PLASTİĞİ / Sash Stabilization Spacer	
24 Adet / Pos	ASI-SB 19.1		KÖŞE GÖNYESİ / Corner Alignment	
12 Adet / Pos	ASI-PB 1126 ASI-KT 1126		KÖŞE TAKOZU veya PİMLİ BAĞLANTI / Corner Joint Pres or Pin	
8 Adet / Pos	ASI-KT 1429		KÖŞE TAKOZU / Pres Corner Joint	
16 Adet / Pos	ASI-KT 2307		KÖŞE TAKOZU / Pres Corner Joint	
1 Takım / Set	LS60-MEK1		KALDIR-SÜR MEKANİZMASI / Lift&Slide Mechanism	

CAM KESİM ÖLÇÜLERİ / GLASS CUTTING SIZES

KOD / Code	TANIMI / Description	KESİM ÖLÇÜSÜ / Cutting Dimensions
GW1	KANAT CAM GENİŞLİK / Sash Glass Width	GW=SW-170,4mm
GH1	KANAT CAM YÜKSEKLİK / Sash Glass Height	GH=SH-170,4mm

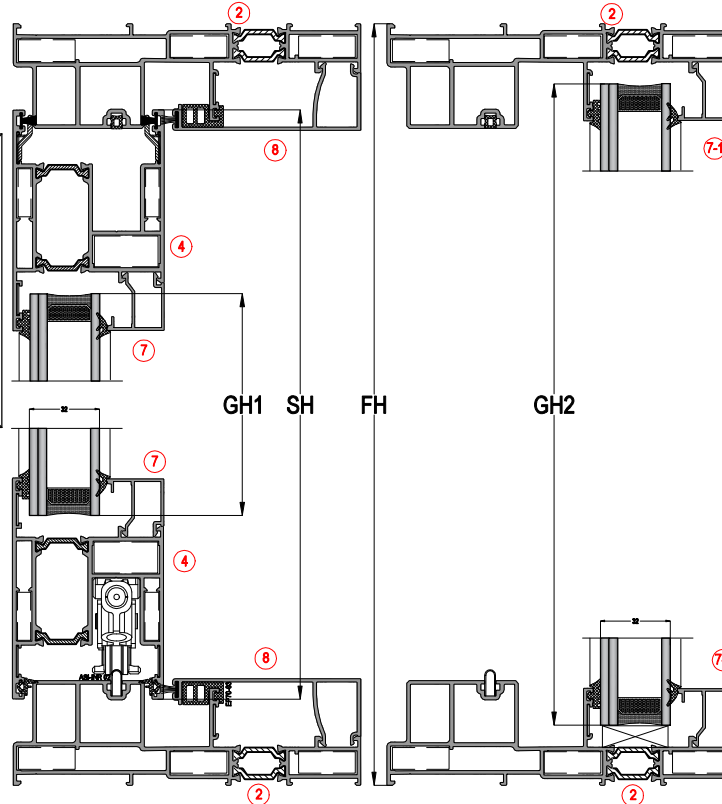
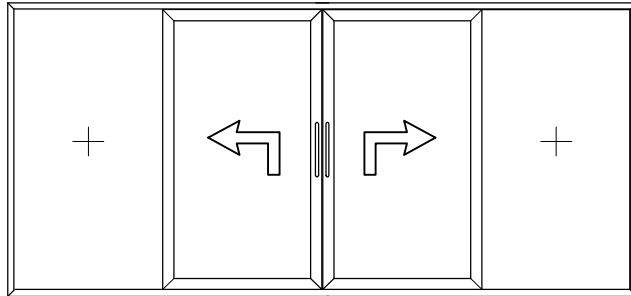
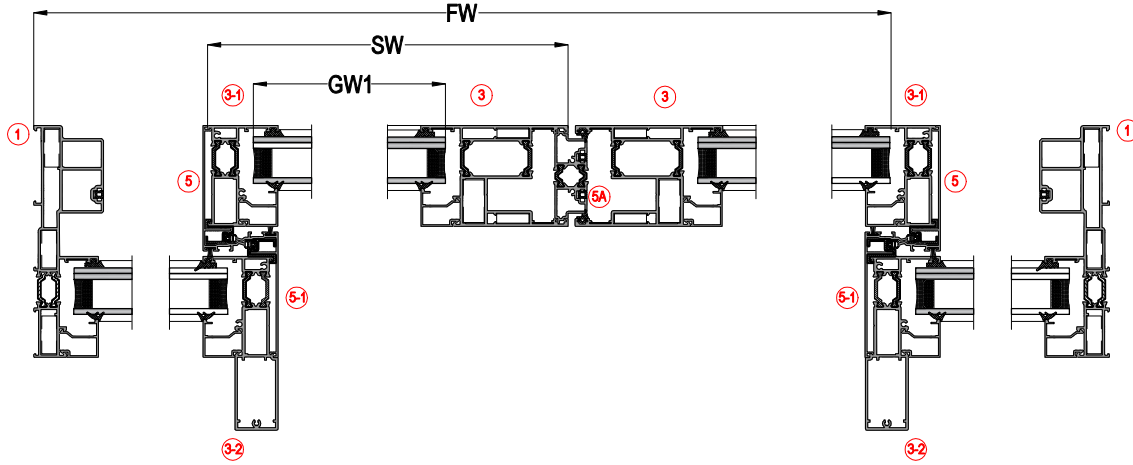
MONORAIL DAR KENET KESİM ÖLÇÜLERİ MONORAIL NARROW SYSTEM SASHES CUTTING SIZE



PROFİLLER / PROFILES					
NO / Number	ADET / Unit	KOD / Code	PROFİL ÇİZİMİ / Drawing	PROFİL TANIMI / Description	KESİM ÖLÇÜSÜ / Cutting Dimensions
1	2	LS70 08		DÜŞEY KASA PROFİLİ / Vertical Frame Profile	FH
2	2	LS70 08		YATAY KASA PROFİLİ / Horizontal Frame Profile	FW
3	1	LS70 11		DÜŞEY KANAT PROFİLİ / Vertical Sash Profile	SH=FH-79mm
4	2	LS70 11		YATAY KANAT PROFİLİ / Horizontal Frame Profile	SW=(FW/2)+84mm
3-1	1	LS70 12		DAR KANAT PROJ/Central Locking Profile	FH-184,4mm
3-2	1	LS70 13		TAKVİYELİ DAR KANAT PROJ/Central Locking Profile	FH-45mm
5	1	LS70 44		KENET ADAPTOR PROFİLİ / Central Locking Profile	FH-94,6
5-1	1	LS70 44		KENET ADAPTOR PROFİLİ / Central Locking Profile	FH-45
6	2	11_026		DÜŞEY CAM ÇİTASI / Vertical Glazing Bead	G1=SH-200,2mm
6-1	1	11_026		SABİT DÜŞEY CAM ÇİTASI / Fix Vertical Glazing Bead	G1=FH-88,6mm
7	2	11_026		YATAY CAM ÇİTASI / Horizontal Glazing Bead	G2=SW-158,2mm
7-1	2	11_026		SABİT YATAY CAM ÇİTASI / Horizontal Glazing Bead	G2=(FW/2)-75mm
8	2	LS70 40		ÜST_ALT KAPAK PROFİLİ / Top,Bottom Cover Profile	G2=FH/2mm
9	1	LS70 40		DÜŞEY KAPAK PROFİLİ / Vertical Cover Profile	G2=FH-98mm
PVC	1	M070-09		KENET PVC PROFİL / Central Locking PVC Profile	FH-94,6
PVC	1	M070-09		SABİT KENET PVC PROFİL / Central Locking PVC Profile	FH-45
Stel	1	ASI-IR 02		ÇELİK RAY PROFİLİ / Steel Rail Profile	FW-82mm

FİTİLLER / GASKETS				
MİKTAR / Unit	KOD / Code	PROFİL ÇİZİMİ / Drawing	PROFİL TANIMI / Description	KESİM ÖLÇÜSÜ / Cutting Dimensions
MT	EP1-01		DIŞ CAM FİTİLİ / Outer Glazing Gasket	4x(G1+G2)
MT	EP2-01		İÇ CAM FİTİLİ / Inner Glazing Gasket	4x(G1+G2)
MT	TRI-FIN-700		KANAT ÜST FİTİLİ / Sash Top Gasket	2 x SW
MT	EP60-04		KENET FİTİLİ / Central Locking Gasket	2 x SH
MT	EP38T-01		KANAT FİTİLİ / Sash Gasket	(2xSH)+(2xSW)
MT	EP70-02 / EP38-02		KASA FİTİLİ / Frame Gasket	(2xFH) +(1x FW)
MT	EP70-03		SABİT ÇİTA FİTİLİ / Fixed Frame Gasket	EP70-03=LS70 40
MT	KF 67-700		FİRÇA FİTİL / Brush Gasket - 7mm	(EP70-03=LS70 40)+(2xFH)+(2xFW)
2 Takım / Set	M070-TB1		KENET KAPAĞI / Interlock Profile Cap	
1 Takım / Set	M070-INT 01		LS70-13 KENET KAPAĞI / Interlock Profile Cap	
2 Adet / Pos	MO60-05D		ALT-ÜST HAVA KESİCİ / Central Sealing - Bottom-Top	
4 Adet / Pos	M070-13		KANAT DENGELEME PLASTİĞİ / Sash Stabilization Spacer	
12 Adet / Pos	ASI-SB 19.1		KÖŞE GÖNYESİ / Corner Alignment	
12 Adet / Pos	ASI-PB 1126 ASI-KT 1126		KÖŞE TAKOZU veya PİMLİ BAĞLANTI / Corner Joint Pres or Pin	
4 Adet / Pos	ASI-KT 1429		KÖŞE TAKOZU / Pres Corner Joint	
4 Adet / Pos	ASI-KT 2307		KÖŞE TAKOZU / Pres Corner Joint	
4 Adet / Pos	ASI-KT 1106		KÖŞE TAKOZU / Pres Corner Joint	
1 Takım / Set	LS60-MEK1		KALDIR-SÜR MEKANİZMASI / Lift&Slide Mechanism	

MONORAIL DAR KENET KESİM ÖLÇÜLERİ MONORAIL NARROW SYSTEM SASHES CUTTING SIZE



PROFİLLER / PROFILES					
SIRA NO / Number	ADET / Unit	KOD / Code	PROFİL ÇİZİMİ / Drawing	PROFİL TANIMI / Description	KESİM ÖLÇÜSÜ / Cutting Dimensions
1	2	LS70 08		DÜŞEY KASA PROFİLİ / Vertical Frame Profile	FH
2	2	LS70 08		YATAY KASA PROFİLİ / Horizontal Frame Profile	FW
3	2	LS70 11		DÜŞEY KANAT PROFİLİ / Vertical Sash Profile	SH=FW-79mm
4	4	LS70 11		YATAY KANAT PROFİLİ / Horizontal Frame Profile	SW=FW/4+102,4mm
3-1	2	LS70 12		DAR KANAT PRO/Central Locking Profile	FH-184,4mm
3-2	2	LS70 13		TAKYIYELI DAR KANAT PRO/Central Locking Profile	FH-45mm
5A.	1	LS70-42		ADAPTÖR PROFİLİ / Adaptor Profili	LS80 41=SH-60mm
5	2	LS70 44		KENET ADAPTÖR PROFİLİ / Central Locking Profile	FH-94,8
5-1	2	LS70 44		KENET ADAPTÖR PROFİLİ / Central Locking Profile	FH-45
6	4	11_026		DÜŞEY CAM ÇİTASI / Vertical Glazing Bead	G1=SH-202,2mm
7	4	11_026		YATAY CAM ÇİTASI / Horizontal Glazing Bead	G2=SW-168mm
6-1	4	11_026		SABİT DÜŞEY CAM ÇİTASI / Vertical Glazing Bead	G1=FW-88,6mm
7-1	4	11_026		SABİT YATAY CAM ÇİTASI / Horizontal Glazing Bead	G2=FW/4-55,8mm
8	2	LS70 40		ÜST_ALT KAPAK PROFİLİ / Top,Bottom Cover Profile	(FW/2)+7,4
PVC	2	MO70-10		KENET PVC PROFİLİ / Central Locking PVC Profile	FH-94,8
PVC	2	MO70-10		KENET PVC PROFİLİ / Central Locking PVC Profile	FH-45
Steel	1	ASH-NR 02		ÇELİK RAY PROFİLİ / Steel Rail Profile	FW-82mm

FİTİLLER / GASKETS				
MİKTAR / Unit	KOD / Code	PROFİL ÇİZİMİ / Drawing	PROFİL TANIMI / Description	KESİM ÖLÇÜSÜ / Cutting Dimensions
MT	EP1-01		DIŞ CAM FİTİLİ / Outer Glazing Gasket	8x(G1+G2)
MT	EP2-01		İÇ CAM FİTİLİ / Inner Glazing Gasket	8x(G1+G2)
MT	TRİ-FIN-700		KANAT ÜST FİTİLİ / Sash Top Gasket	4 x SW
MT	EP60-04		KENET FİTİLİ / Central Locking Gasket	4 x SH
MT	EP381-01		KANAT FİTİLİ / Sash Gasket	(6xSH)-(6xSW)
MT	EP70-02/EP3-02		KASA FİTİLİ / Frame Gasket	(2xFH)-(1x FW)
MT	EP70-03		SABİT ÇİTA FİTİLİ / Fixed Frame Gasket	EP70-03=LS70 40
MT	KF 67-600		FİRÇA FİTİLİ / Brush Gasket - 6mm	(4xFH)-(4xFW)
MT	KF 67-700		FİRÇA FİTİLİ / Brush Gasket - 7mm	(2xSW)-(4xFH)-(4xFW)

AKSESUARLAR / ACCESSORIES			
4 Takım / Set	MO70-TB1		KENET KAPAĞI / Interlock Profile Cap
2 Takım / Set	MO70-INT 01		LS70-13 KENET KAPAĞI / Interlock Profile Cap
2 Adet / Pcs	MO60-05D		ALT-ÜST HAVA KESİCİ / Central Sealing - Bottom-Top
8 Adet / Pcs	MO70-13		KANAT DENGELEME PLASTİĞİ / Sash Stabilization Spacer
28 Adet / Pcs	ASI-SB 19.1		KÖŞE GÖNYESİ / Corner Alignment
12 Adet / Pcs	ASI-PB 1126 ASI-KT 1126		KÖŞE TAKOZU veya PİMLİ BAĞLANTI / Corner Joint Pres or Pin
8 Adet / Pcs	ASI-KT 1429		KÖŞE TAKOZU / Pres Corner Joint
8 Adet / Pcs	ASI-KT 2307		KÖŞE TAKOZU / Pres Corner Joint
8 Adet / Pcs	ASI-KT 1106		KÖŞE TAKOZU / Pres Corner Joint
1 Takım / Set	LS60-MEK1D		KALDIR-SÜR MEKANİZMASI / Lift&Slide Mechanism
2 Adet / Pcs	MO70-12		ADAPTÖR KAPAĞI / Adapter Cover

CAM KESİM ÖLÇÜLERİ / GLASS CUTTING SIZES

KOD / Code	TANIMI / Description	KESİM ÖLÇÜSÜ / Cutting Dimensions
GW1	KANAT CAM GENİŞLİK / Sash Glass Width	GW=SW-170,4mm
GH1	KANAT CAM YÜKSEKLİK / Sash Glass Height	GH=SH-170,4mm
GW2	SABİT CAM GENİŞLİK / Fixed Glass Width	GW1=GW2
GH2	SABİT CAM YÜKSEKLİK / Fixed Glass Height	FH-55mm