

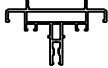

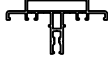

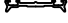


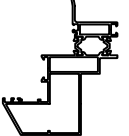

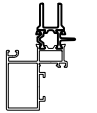














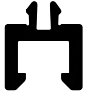





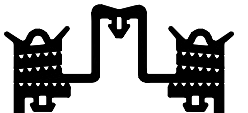

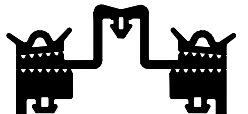




### PROFİL LİSTESİ - PROFILES LIST

FC50-210-16	Jx cm <sup>4</sup>	Jy cm <sup>4</sup>		FC12-193-16	
	15,46	2,93			
YATAY PROFİL - İŞIKLIK TRANSOM PROFILE-SKYLIGHT	AĞIRLIK / Weight		0,628 kg/mt	CAM ARA ÇITA PROFİLİ GLAZING PROFILE	AĞIRLIK / Weight
	0,287 kg/mt				
FC50-019-15	Jx cm <sup>4</sup>	Jy cm <sup>4</sup>		FC12-266-22	
	18,65	8,29			
DÜŞEY PROFİL - İŞIKLIK MULLION PROFILE-SKYLIGHT	AĞIRLIK / Weight		1,337 kg/mt	TESPİT PROFİLİ FIXATION PROFILE	AĞIRLIK / Weight
	0,344 kg/mt				
FC50-219-15	Jx cm <sup>4</sup>	Jy cm <sup>4</sup>		FC12-117-12	
	14,96	5,9			
YATAY PROFİL - İŞIKLIK TRANSOM PROFILE-SKYLIGHT	AĞIRLIK / Weight		1,180 kg/mt	TEK CAM ÇITASI-10,5mm SINGLE GLAZING PROFILE	AĞIRLIK / Weight
	0,133 kg/mt				
FC50-131-15	AĞIRLIK / Weight			FC12-177-12	
	0,392 kg/mt				
BASKI KAPAK PROFİLİ COVER BOTTOM PROFILE	AĞIRLIK / Weight		0,206 kg/mt	TEK CAM ÇITASI-17,5mm SINGLE GLAZING PROFILE	AĞIRLIK / Weight
	0,206 kg/mt				
FC50-037-14	AĞIRLIK / Weight			FC50-S03	
	0,269 kg/mt				
KAPAK PROFİLİ-14mm COVER PROFILE	AĞIRLIK / Weight		0,284 kg/mt	AÇILIR KANAT KASA OPENING SASH FRAME	AĞIRLIK / Weight
	2,180 kg/mt				
FC50-038-14	AĞIRLIK / Weight			FC50-S01	
	0,284 kg/mt				
YATAY KAPAK PROFİLİ COVER PROFILE	AĞIRLIK / Weight		0,322 kg/mt	KANAT PROFİLİ SASH PROFILE	AĞIRLIK / Weight
	1,622 kg/mt				
FC50-135-15	AĞIRLIK / Weight			FC50-S02	
	0,322 kg/mt				
VİDALI KAPAK PROFİLİ COVER PROFILE	AĞIRLIK / Weight		0,909 kg/mt	KANAT CAM ÇITASI SASH GLAZING PROFILE	AĞIRLIK / Weight
	0,909 kg/mt				
FC50-033-09	AĞIRLIK / Weight			10-010225-00	
	0,043 kg/mt				
KANAL KAPAK PROFİLİ COVER PROFILE	AĞIRLIK / Weight		0,401 kg/mt	KÖŞE TAKOZU-22.5 mm CORNER JOINT	AĞIRLIK / Weight
	3,564 kg/mt				
FC50-139-16	AĞIRLIK / Weight				
	0,401 kg/mt				


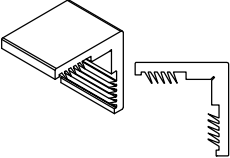
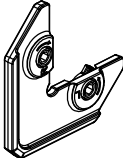


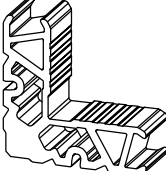
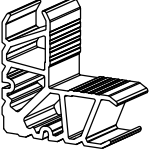
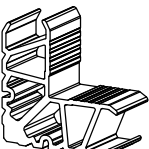


CE1-01			EP3-04		
İÇ CAM FİTİLİ - 3 mm INNER GLAZING GASKET	KOLİ MİKTARI/Package 260 mt / 15 kg		KASA BİNİ FİTİLİ-5mm FRAME GASKET	KOLİ MİKTARI/Package	
CE1-06			CE2-04		
İÇ CAM FİTİLİ - 3,5 mm INNER GLAZING GASKET	KOLİ MİKTARI/Package 250 mt / 15 kg		ORTA BASKI FİTİLİ-11mm CENTRAL EPDM GASKET	KOLİ MİKTARI/Package 95 mt / 15 kg	
CE1-02			CE2-05		
İÇ CAM FİTİLİ - 4,9 mm INNER GLAZING GASKET	KOLİ MİKTARI/Package 140 mt / 15 kg		ORTA BASKI FİTİLİ-15mm CENTRAL EPDM GASKET	KOLİ MİKTARI/Package 15 kg	
CE1-05			CE2-03		
İÇ CAM FİTİLİ - 7,1 mm INNER GLAZING GASKET	KOLİ MİKTARI/Package 160 mt / 15 kg		ORTA CAM FİTİLİ YARI KAPAKLI CEPHE CENTRAL EPDM GASKET	KOLİ MİKTARI/Package 63 mt / 15 kg	
CE1-03			PF50-M01		
İÇ CAM FİTİLİ - 9,1 mm INNER GLAZING GASKET	KOLİ MİKTARI/Package 125 mt / 15 kg		ORTA PVC BASKI - 8,5mm PVC PROFILE	KOLİ MİKTARI/Package 6 mt / Adet / Piece	
CE1-09			PF50-M02		
İÇ CAM FİTİLİ - 10,6 mm INNER GLAZING GASKET	KOLİ MİKTARI/Package 120 mt / 15 kg		ORTA PVC BASKI - 16mm PVC PROFILE	KOLİ MİKTARI/Package 6 mt / Adet / Piece	
CE1-07			CE10-01		
İÇ CAM FİTİLİ - 12,7 mm INNER GLAZING GASKET	KOLİ MİKTARI/Package 107 mt / 15 kg		KONDENS KANALLI İÇ CAM FİTİLİ - 16mm GLAZING GASKET-16mm	KOLİ MİKTARI/Package 18 mt / 13,3 kg	
CE1-08			CE10-02		
İÇ CAM FİTİLİ - 14,7 mm INNER GLAZING GASKET	KOLİ MİKTARI/Package		KONDENS KANALLI İÇ CAM FİTİLİ - 12mm GLAZING GASKET-12mm	KOLİ MİKTARI/Package 18 mt / 13,7 kg	
CE1-04			CE10-03		
İÇ CAM FİTİLİ - 16,6 mm INNER GLAZING GASKET	KOLİ MİKTARI/Package 70 mt / 15 kg		KONDENS KANALLI İÇ CAM FİTİLİ - 8mm GLAZING GASKET-8mm	KOLİ MİKTARI/Package 18 mt / 13,7 kg	
CE4-01			EP4-06		
DIŞ CAM FİTİLİ - 3 mm (BASKI KAPAK FİTİLİ) OUTER GLAZING GASKET	KOLİ MİKTARI/Package 210 mt / 15 kg		ORTA BİNİ FİTİLİ GASKET FOR OPEN JOINT	KOLİ MİKTARI/Package 130 mt / 15 kg	

SC:1/2

Ö:1/2

Ö:1/2

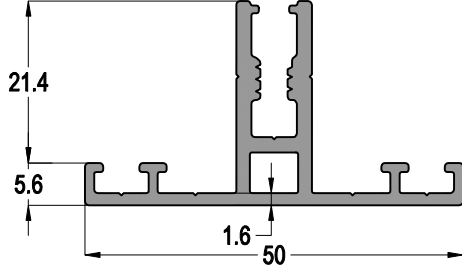
## AKSESUAR LİSTESİ - ACCESSORIES LIST

<b>KFIN67-600</b>				
FİLİMLİ FIRÇA FITİL-6MM BRUSH GASKET	KOLİ MİKTARI/Package			
	Adet / Piece			
<b>FC50-KT 01</b>				
KÖŞE BAĞLANTI-PVC CORNER JOINT	KOLİ MİKTARI/Package			
	Adet / Piece			
<b>ASI-FUJI 2000</b>				
AYARLI KÖŞE GÖNYESİ CORNER ALIGNMENT	KOLİ MİKTARI/Package			
	Adet / Piece			
<b>ASI-SB 19.1</b>				
KÖŞE GÖNYESİ CORNER ALIGNMENT	KOLİ MİKTARI/Package			
	1000 Adet / Piece			
<b>CE6-01</b>				
DERZ FITİLİ CENTRAL GASKET	KOLİ MİKTARI/Package			
	200 mt / 15 kg			
<b>ASI-KT 2308</b>				
KÖŞE TAKOZU 10-010225-00 (3,566 kg)	KESİM ÖLÇÜSÜ			
	7 mm			
<b>ASI-KT 2335</b>				
KÖŞE TAKOZU 10-010382-00 (5,255 kg)	KESİM ÖLÇÜSÜ			
	35 mm			
<b>ASI-KT 2346</b>				
KÖŞE TAKOZU 10-010382-00 (5,255 kg)	KESİM ÖLÇÜSÜ			
	46,3 mm			
<b>FC50SKY-A01</b>				
ÇATI ASKI MOTOR MEKANİZMASI Skylight Opening Mechanism	KOLİ MİKTARI/Package			
	TAKIM / SET			
<b>ASI-H 9730</b>				
SİSTEM İKİLİ MENTEŞE DOUBLE SYSTEM HINGE	KOLİ MİKTARI/Package			
	250 Adet / Piece			

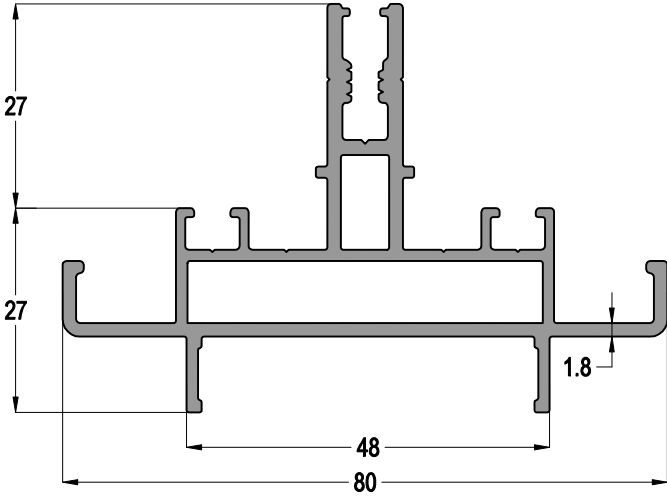
# FC50-SKYLIGHT

İŞIKLIK SİSTEMİ  
SKYLIGHT SYSTEM

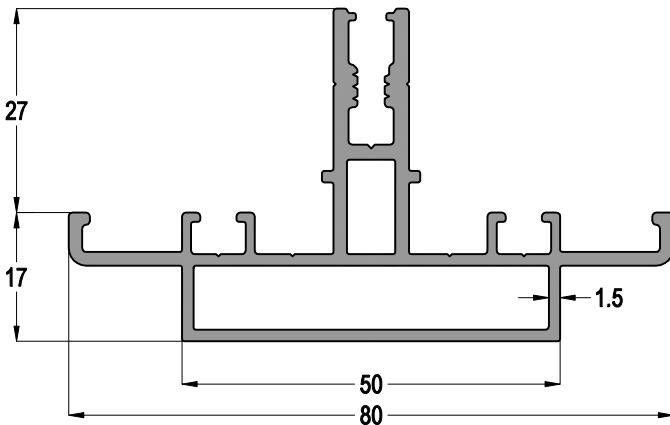
**ASISTAL**



FC50-210-16	Jx cm <sup>4</sup>	Jy cm <sup>4</sup>
	15,46	2,93
AĞIRLIK / Weight		
0,628 kg/mt		



FC50-019-15	Jx cm <sup>4</sup>	Jy cm <sup>4</sup>
	18,65	8,29
AĞIRLIK / Weight		
1,337 kg/mt		

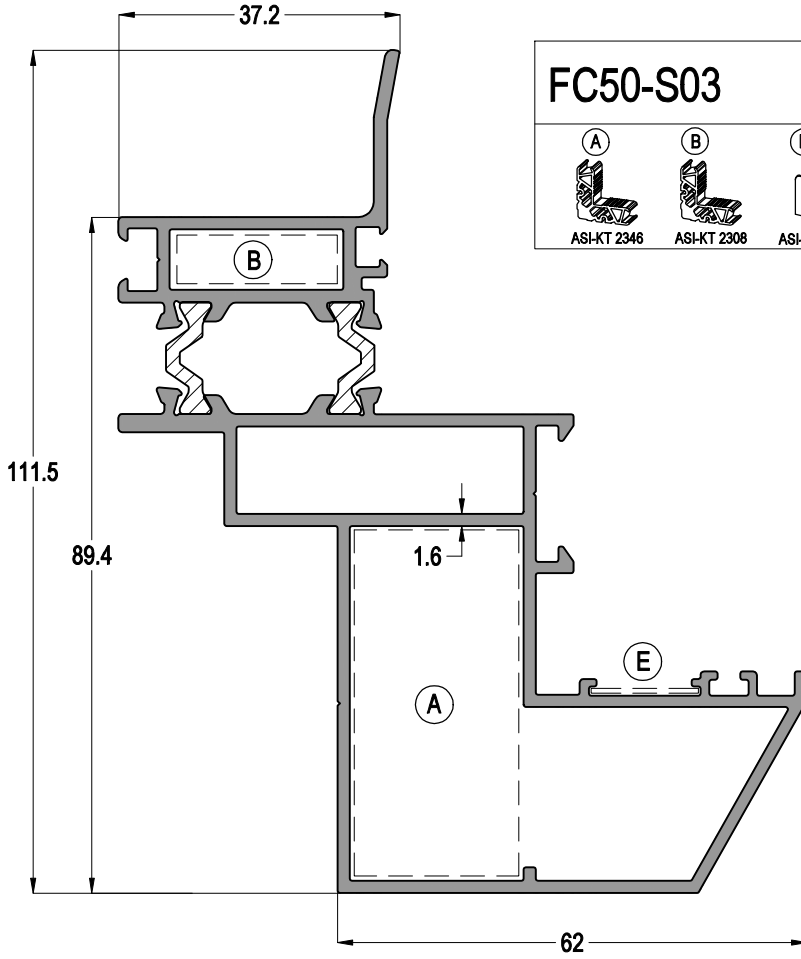





FC50-219-15	Jx cm <sup>4</sup>	Jy cm <sup>4</sup>
	14,96	5,9
AĞIRLIK / Weight		
1,180 kg/mt		

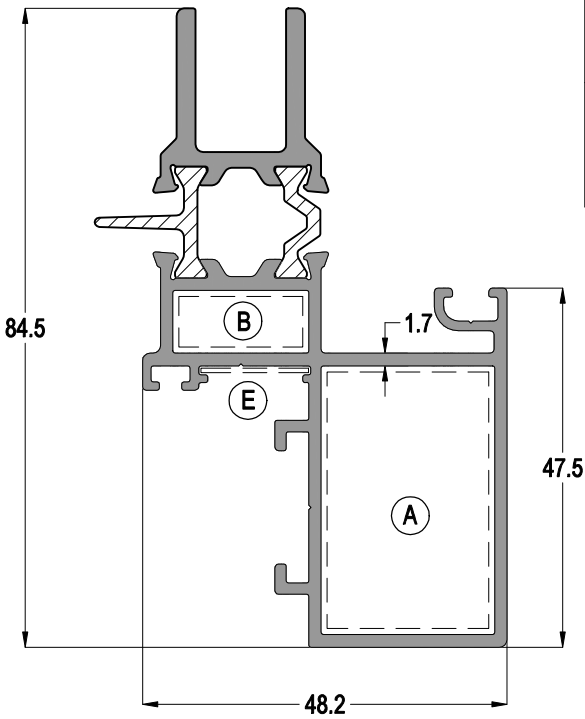
# FC50-SKYLIGHT




İŞIKLIK SİSTEMİ  
SKYLIGHT SYSTEM

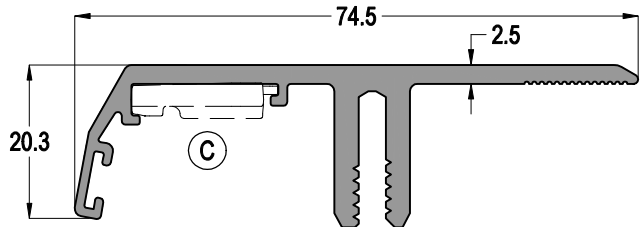
## ASISTAL




FC50-S03			
 A	 B	 E	AĞIRLIK / Weight
ASI-KT 2346	ASI-KT 2308	ASI-SB 19.1	2,180 kg/mt



FC50-S01			
 A	 B	 E	AĞIRLIK / Weight
ASI-KT 2335	ASI-KT 2308	ASI-SB 19.1	1,622 kg/mt



FC50-S02		
 C		AĞIRLIK / Weight
ASI-FUJI 2000		0,909 kg/mt

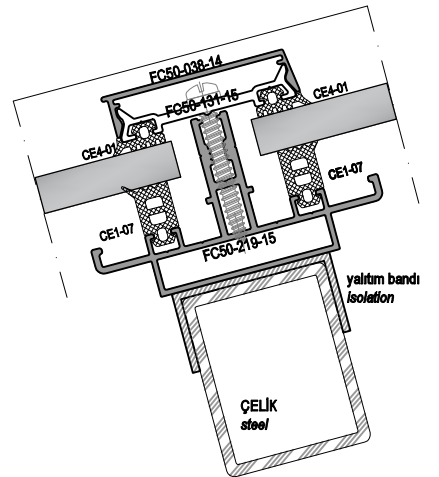
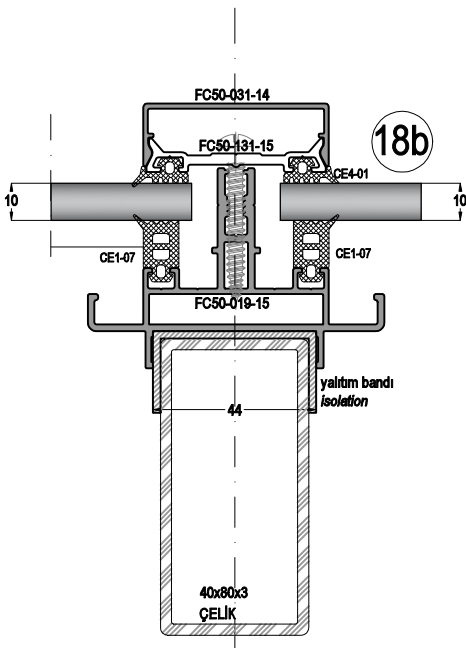
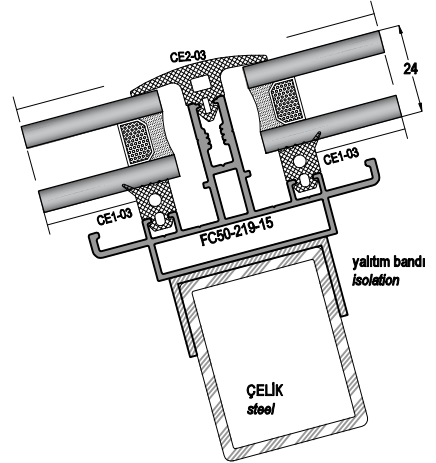
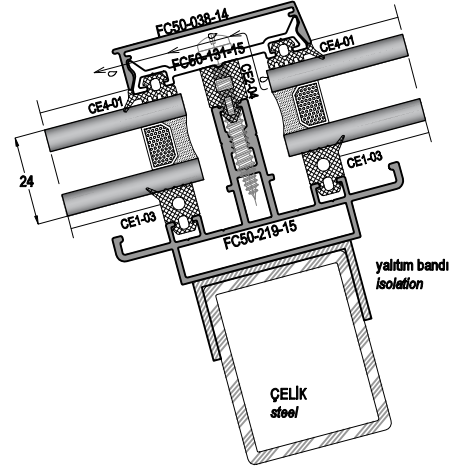
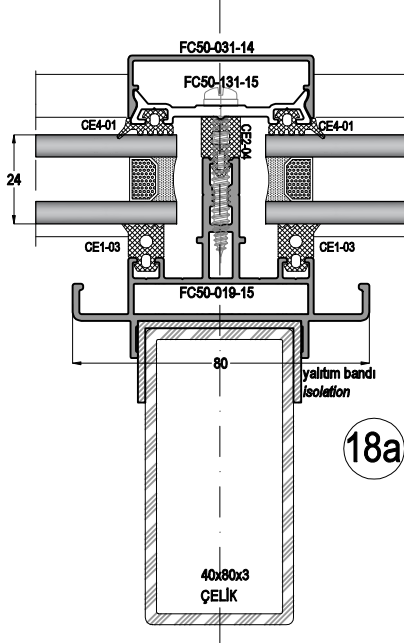
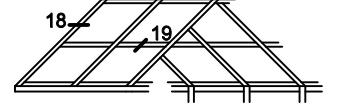
Profil ağırlıklarımız teorik olup; teslim anındaki tartımız geçerlidir.

# FC50-SKYLIGHT

İŞIKLIK SİSTEMİ  
SKYLIGHT SYSTEM

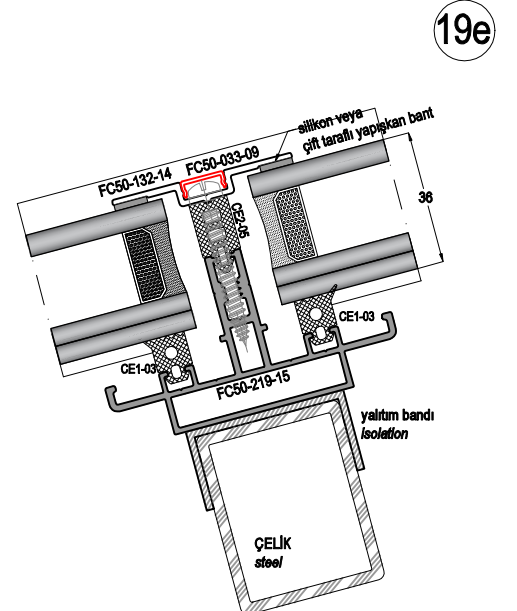
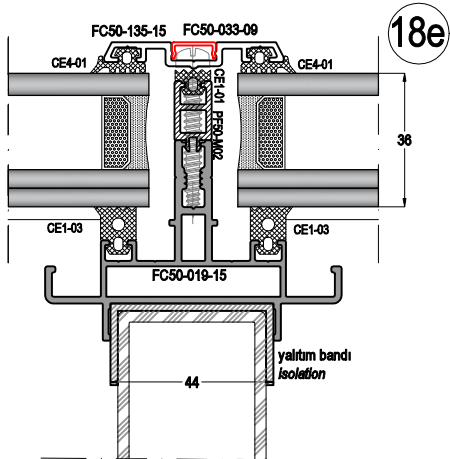
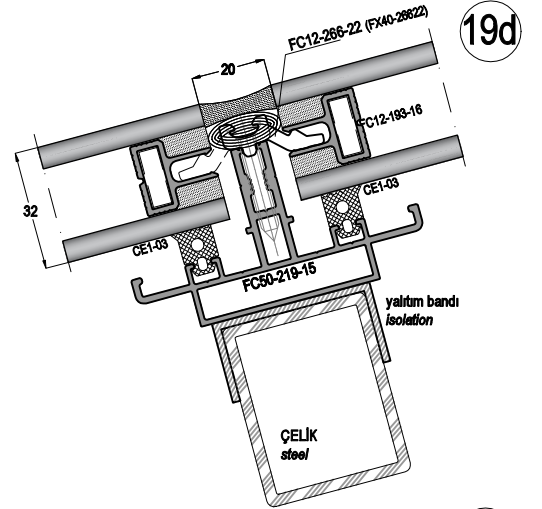
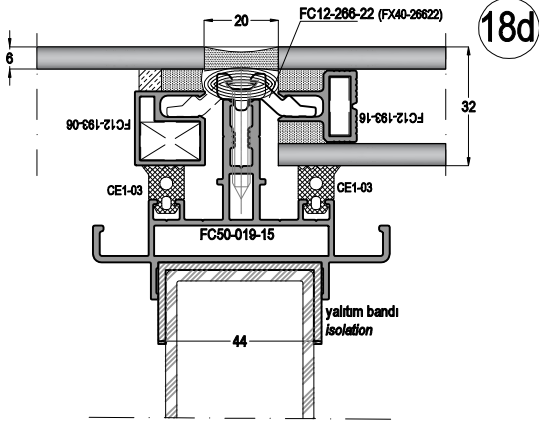
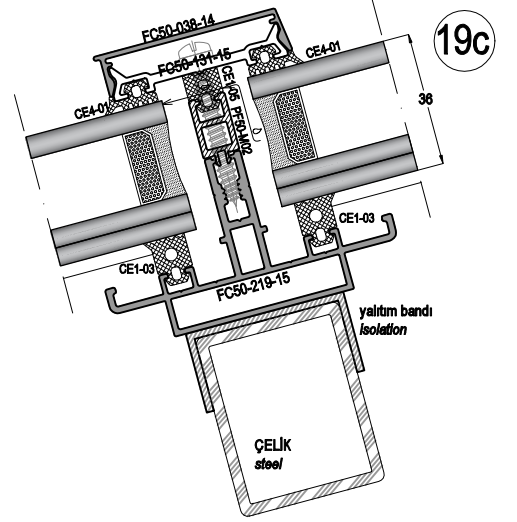
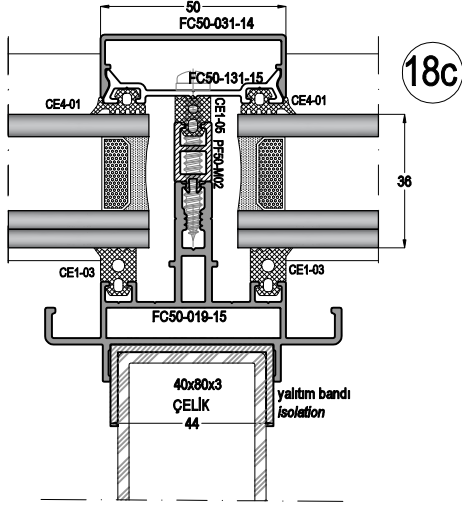
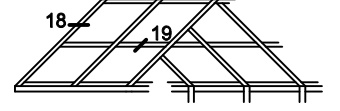


## İŞIKLIK DETAYLARI SKYLIGHT DETAILS





## İŞIKLIK DETAYLARI SKYLIGHT DETAILS

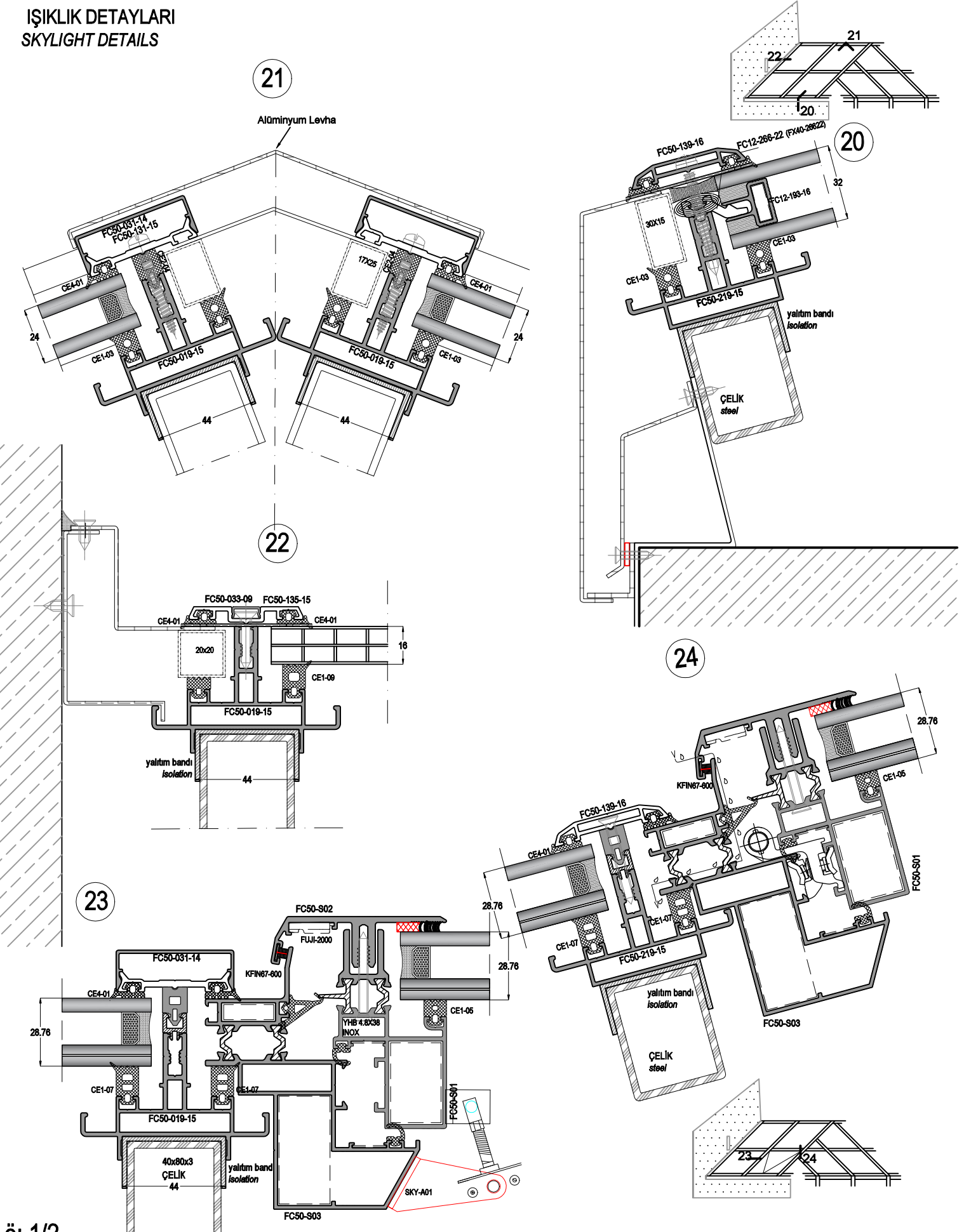


# FC50-SKYLIGHT

İŞIKLIK SİSTEMİ  
SKYLIGHT SYSTEM

ASISTAL

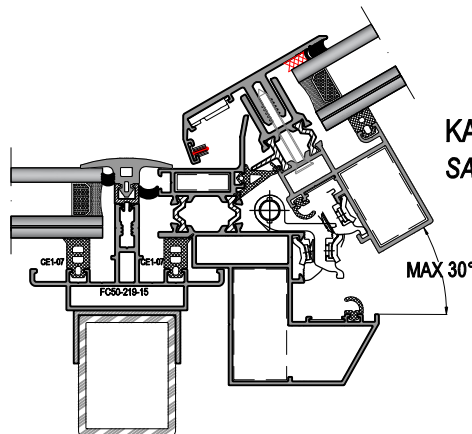
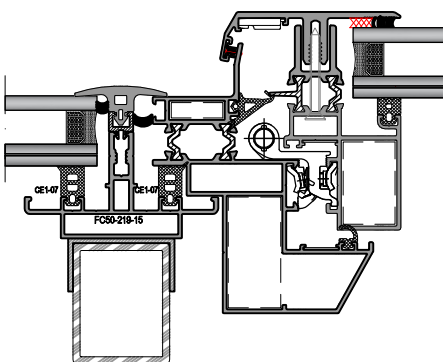
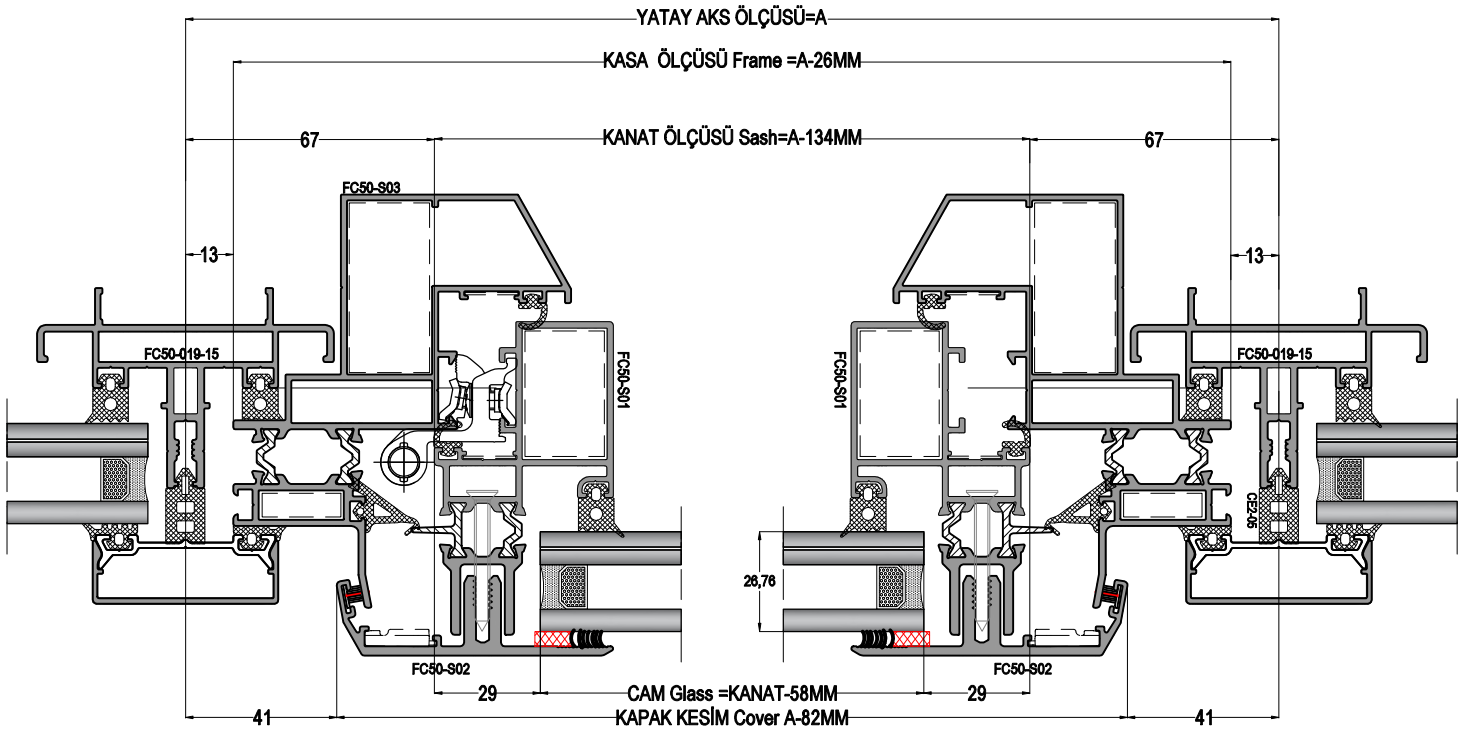
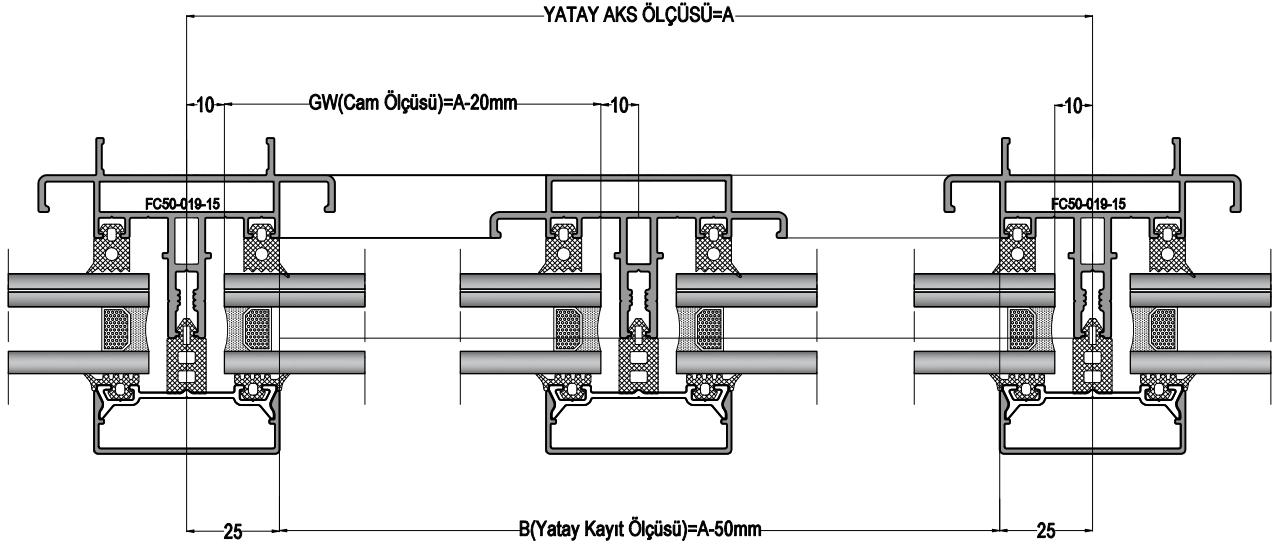
## İŞIKLIK DETAYLARI SKYLIGHT DETAILS





# FC50-SKYLIGHT

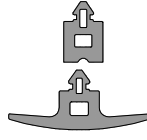
İŞIKLIK SİSTEMİ  
SKYLIGHT SYSTEM



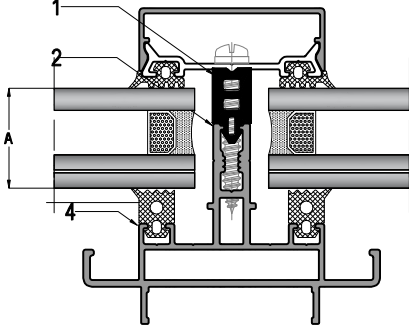
KANAT MAXIMUM AÇILIRI 30°  
SASH OPENS MAXIMUM 30°

### ORTA BASKI FİTİL İLE CAM LİSTELERİ

Glass list with Center Gasket



CAM TABLOSU / GLAZING BEAD  
(CE2-03)/(CE2-04)



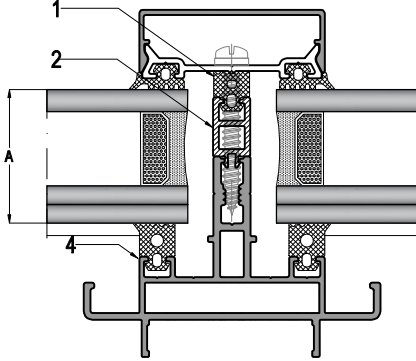
A	1	2	3	4
CAM KALINLIĞI GLAZING THICKNESS	ORTA BASKI FİTİLİ CENTER PRESSURE GASKET	PVC ADAPTÖR PVC ADAPTER	UZATMA PROFİLİ EXTENSION PROFILE	CAM FİTİLİ GLASS GASKET
6 mm	CE2-04	-	FC12-117-12	CE1-04
8 mm	CE2-04	-	FC12-117-12	CE1-08
10 mm	CE2-04	-	FC12-117-12	CE1-07
12 mm	CE2-04	-	FC12-117-12	CE1-09
14 mm	CE2-04	-	FC12-117-12	CE1-03
16 mm	CE2-04	-	-	CE1-04
18 mm	CE2-04	-	-	CE1-08
20 mm	CE2-04	-	-	CE1-07
22 mm	CE2-04	-	-	CE1-09
24 mm	CE2-04	-	-	CE1-03



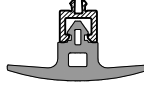
CAM TABLOSU / GLAZING BEAD  
(CE2-05)

A	1	2	3	4
CAM KALINLIĞI GLAZING THICKNESS	ORTA BASKI FİTİLİ CENTER PRESSURE GASKET	PVC ADAPTÖR PVC ADAPTER	UZATMA PROFİLİ EXTENSION PROFILE	CAM FİTİLİ GLASS GASKET
24mm	CE2-05	-	-	CE1-09
26mm	CE2-05	-	-	CE1-03
28 mm	CE2-05	-	-	CE1-05
30 mm	CE2-05	-	-	CE1-02

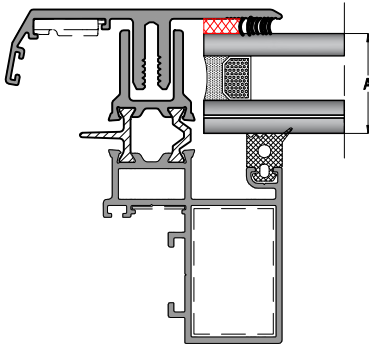
### ORTA BASKI FİTİL İLE CAM LİSTELERİ Glass list with Center Gasket



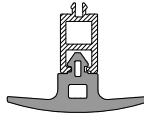
CAM TABLOSU / GLAZING BEAD  
(CE2-03+PF50-M01)/(CE2-04+PF50-M01)



A	1	2	3	4
CAM KALINLIĞI GLAZING THICKNESS	ORTA BASKI FİTİLİ CENTER PRESSURE GASKET	PVC ADAPTÖR PVC ADAPTER	UZATMA PROFİLİ EXTENSION PROFILE	CAM FİTİLİ GLASS GASKET
29MM	CE2-03 / CE2-04	PF50-M01	-	CE1-04
31MM	CE2-03 / CE2-04	PF50-M01	-	CE1-04
32MM	CE2-03 / CE2-04	PF50-M01	-	CE1-04
34MM	CE2-03 / CE2-04	PF50-M01	-	CE1-08
36MM	CE2-03 / CE2-04	PF50-M01	-	CE1-07



CAM TABLOSU / GLAZING BEAD  
(CE2-03+PF50-M02)/(CE2-04+PF50-M02)

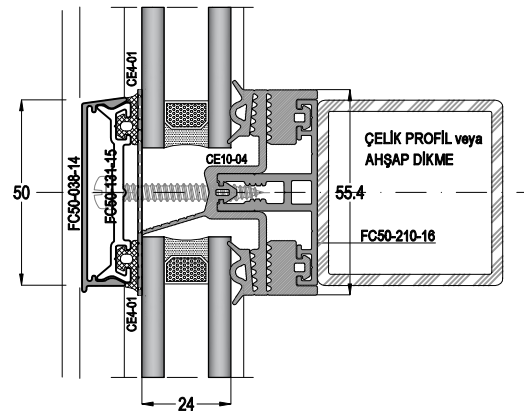
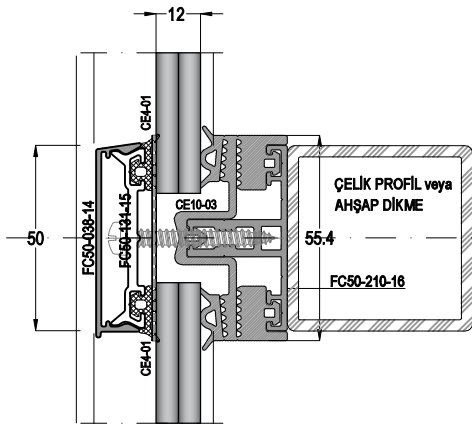
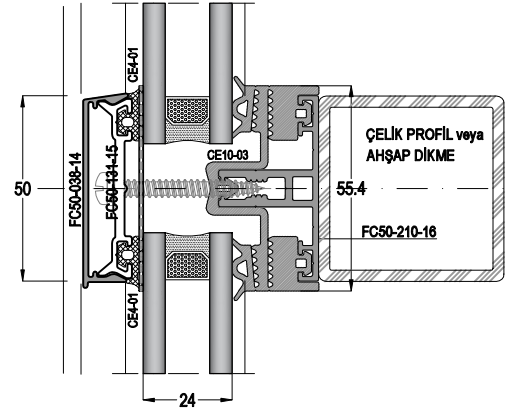
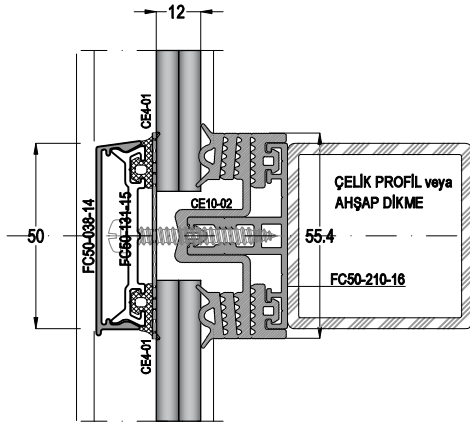
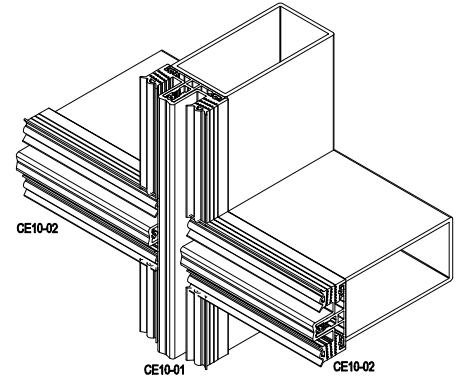
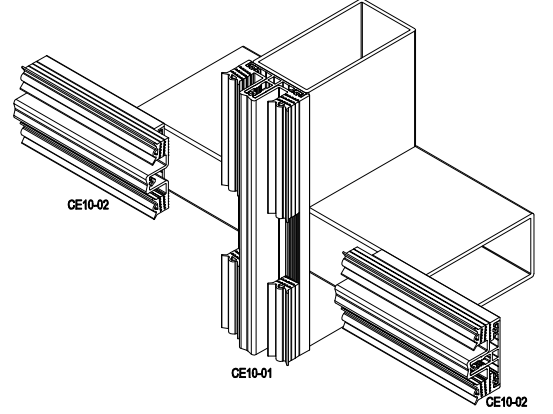
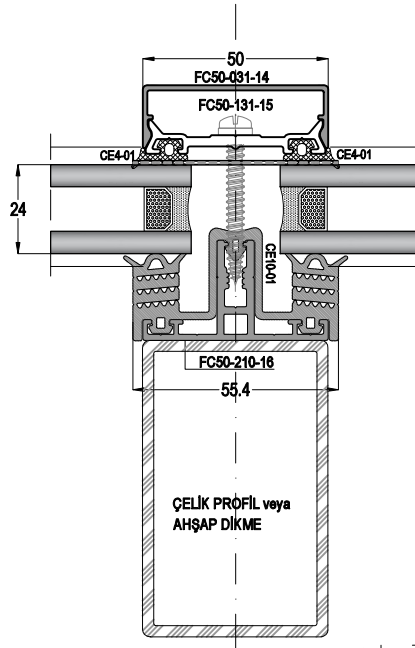
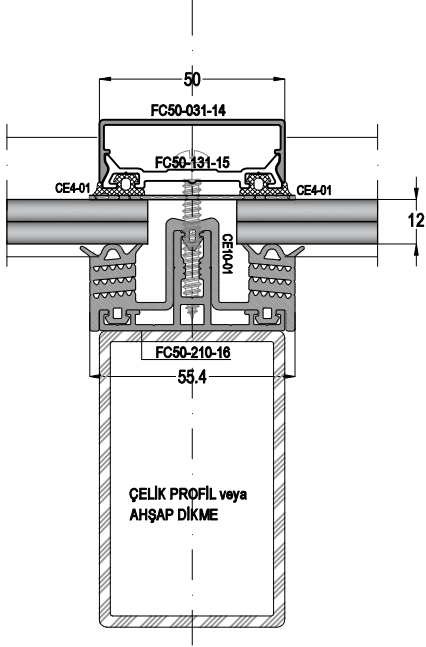


A	1	2	3	4
CAM KALINLIĞI GLAZING THICKNESS	ORTA BASKI FİTİLİ CENTER PRESSURE GASKET	PVC ADAPTÖR PVC ADAPTER	UZATMA PROFİLİ EXTENSION PROFILE	DÜŞEY FİTİL VERTICAL GASKET
24	(CE2-04-PF50-M02)/ (CE2-03-PF50-M02)	PF50-M02	FC12-117-12	CE1-08
26	(CE2-04-PF50-M02)/ (CE2-03-PF50-M02)	PF50-M02	FC12-117-12	CE1-07
28	(CE2-04-PF50-M02)/ (CE2-03-PF50-M02)	PF50-M02	FC12-117-12	CE1-09
30	(CE2-04-PF50-M02)/ (CE2-03-PF50-M02)	PF50-M02	FC12-117-12	CE1-03
32	(CE2-04-PF50-M02)/ (CE2-03-PF50-M02)	PF50-M02		CE1-04
34	(CE2-04-PF50-M02)/ (CE2-03-PF50-M02)	PF50-M02		CE1-08
36	(CE2-04-PF50-M02)/ (CE2-03-PF50-M02)	PF50-M02		CE1-07
38	(CE2-04-PF50-M02)/ (CE2-03-PF50-M02)	PF50-M02		CE1-09
40	(CE2-04-PF50-M02)/ (CE2-03-PF50-M02)	PF50-M02		CE1-03

A	1
CAM KALINLIĞI GLAZING THICKNESS	CAM FİTİLİ GLASS GASKET
26mm	CE1-03
28 mm	CE1-05
30 mm	CE1-02
32 mm	CE1-01

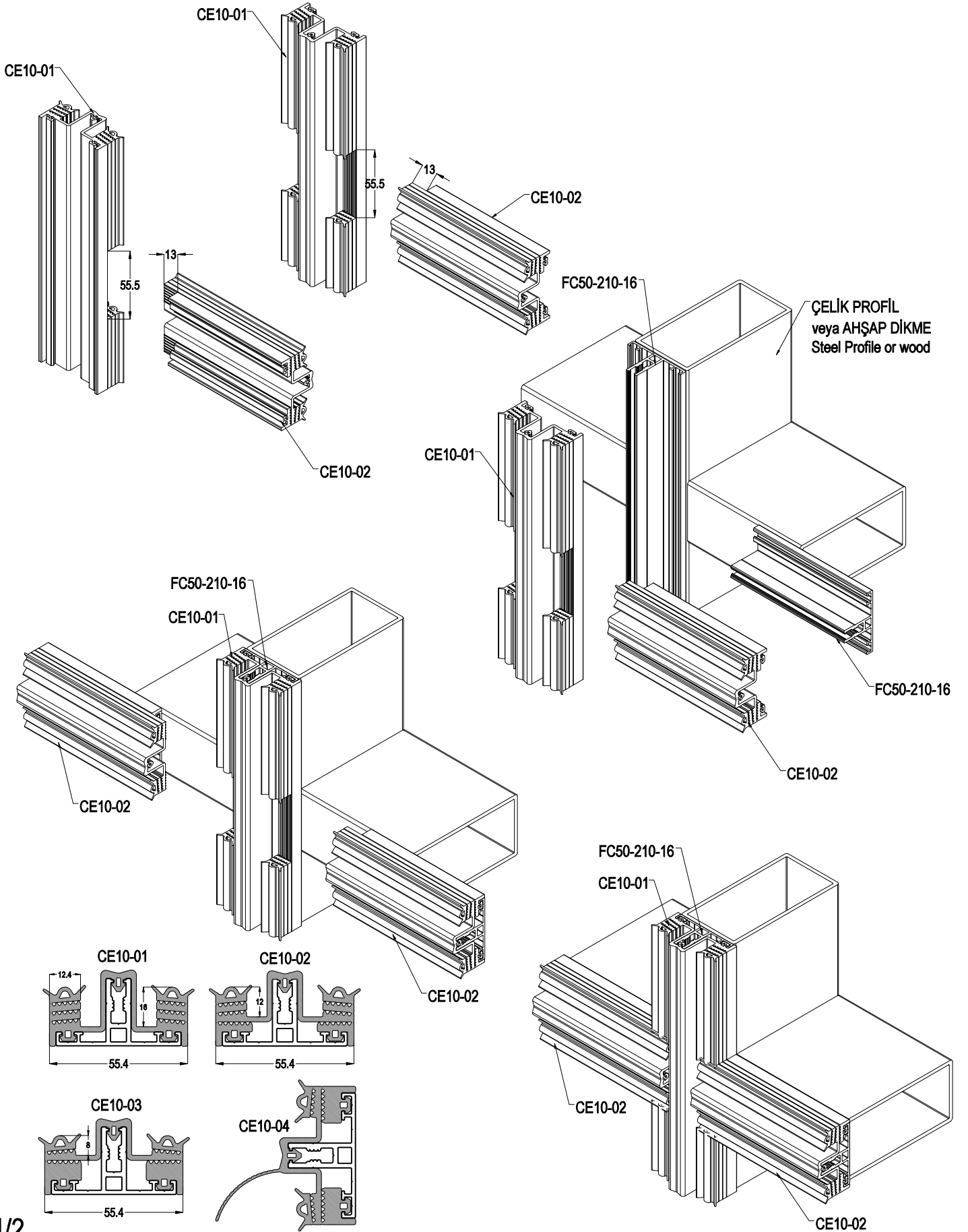


## İÇ CAM FİTİLİ İLE KONDENS KANALI OLUŞTURMA WATER DRAINAGE WITH GLAZING GASKET





## İÇ CAM FİTİLİ İLE KONDENS KANALI OLUŞTURMA WATER DRAINAGE WITH GLAZING GASKETS



## İŞIKLIK PROFİLLERİ MONTAJ DETAYI SKYLIGHT PROFILES ASSEMBLY DETAILS

