

AB40T

ISICAMLI CAM BALKON SİSTEMİ
GLASS BALCONY SYSTEM WITH THERMAL GLASS

ASISTAL

PROF L VE AKSESUAR L STELER
PROFILE & ACCESSORIES LISTS


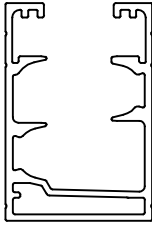


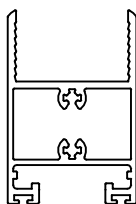


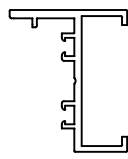

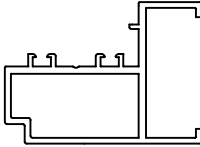

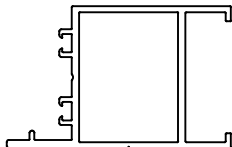

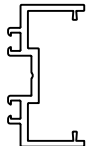


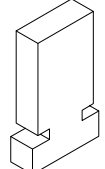
AB40T

ISICAMLI CAM BALKON S STEM
GLASS BALCONY SYSTEM WITH THERMAL GLASS

ASISTAL

PROF L L STES - PROFILE LISTS

AKSESUARLAR - ACCESSORIES


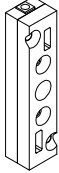
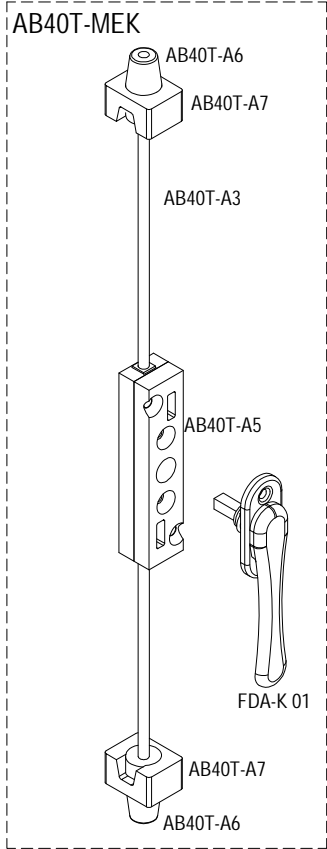


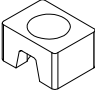
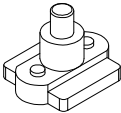
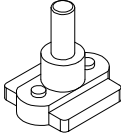
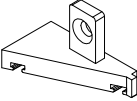
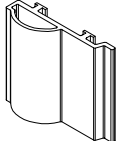


AB40T-01			B40T-08	
KASA PROF L FRAME PROFILE	A IRLIK / Weight 1,350 kg/mt		TEKER ÇIKI KAPA I ROLLER OUT COVER	
			B40T-12	
			KANAT TEKER KILAVUZU (KATLANIR) ROLLER GUIDE	
AB40T-11			B40T-13	
KANAT PROF L SASH PROFILE	A IRLIK / Weight 1,047 kg/mt		1'L KANAT PARK SAB TLEME SINGLE FIXING SLOT	
			B40T-14	
			3'LÜ KANAT PARK SAB TLEME TRIPLE FIXING SLOT	
AB40T-12			B40T-15	
KANAT PROF L SASH PROFILE	A IRLIK / Weight 0,500 kg/mt		5'L KANAT PARK SAB TLEME FIVE FIXING SLOT	
			B40T-16	
AB40T-13			8'L KANAT PARK SAB TLEME EIGHT SASH FIXING SLOT	
KANAT KÖ E 90° DÖNÜ PROF L 90° CORNER PROFILE	A IRLIK / Weight 0,850 kg/mt			
			B40-19	
AB40T-14			KANAT STOPLAMA SASH STOPPER	
KANAT K L TLEME PROF L SASH PROFILE	A IRLIK / Weight 0,947 kg/mt			
AB40T-15			AB40T-A1	
EKSENEL KÖ E DÖNÜ PROF L CORNER PROFILE	A IRLIK / Weight 0,443 kg/mt		KANAT SAB T TEKER ROLLER FOR SASH	
			AB40T-A2	
AB40T-16			KANAT PARK / K L T TEKER SASH ROLLER FOR PARK / LOCK	
EKSENEL KÖ E DÖNÜ PROF L CORNER PROFILE	A IRLIK / Weight 0,314 kg/mt			
			AB40T-A4	
			YAN KASA BA LANTI FRAME JOINT PART	

AB40T

ISICAMLI CAM BALKON S STEM
GLASS BALCONY SYSTEM WITH THERMAL GLASS

ASISTAL

AKSESUARLAR - ACCESSORIES

AB40T-A3		AB40T-MEK SET OLARAK SATILMAKTADIR IT IS SOLD TO BE SET	AB40T-MEK SET OLARAK SATILMAKTADIR IT IS SOLD TO BE SET
K L TLEME M6 G JON T J M6 GJON FOR LOCKING			
AB40T-A5		AB40T-MEK= 1 ADET AB40T-A03 1 ADET AB40T-A05 2 ADET AB40T-A06 2 ADET AB40T-A07 1 ADET FDA-K01	
SPANYOLET K L TLEME MEKAN ZMASI GEAR BOX - TWO WAY			
FDA-K 01			
K L TLEME KOLU HANDLE FOR SASH			
AB40T-A6			
SPANYOLET K L TLEME P M LOCKING PART			
AB40T-A7			
K L TLEME P M KILAVUZU LOCKING PART ADAPTER			
AB40T-A8			
LK KANAT ALT P M FIRST SASH BOTTOM HINGE			
AB40T-A9			
LK KANAT ÜST P M FIRST SASH TOP HINGE			
AB40T-A10			
KANAT KAPA I COVER FOR SASH			
AB40-EP1			
YAN KANAT F T L VERTICAL SASH GASKET			
KANAT F T L		AB40-EP2	
KANAT FIRÇA F T L : KF 67-1000 KANAT EPDM F T L : AB40-EP2 BRUSH GASKET : KF 67-1000 EPDM GASKET : AB40-EP2		KF 67-1000	

Profil a ırlıklarımız teorik olup; teslim anındaki tartımız geçerlidir.

AB40T

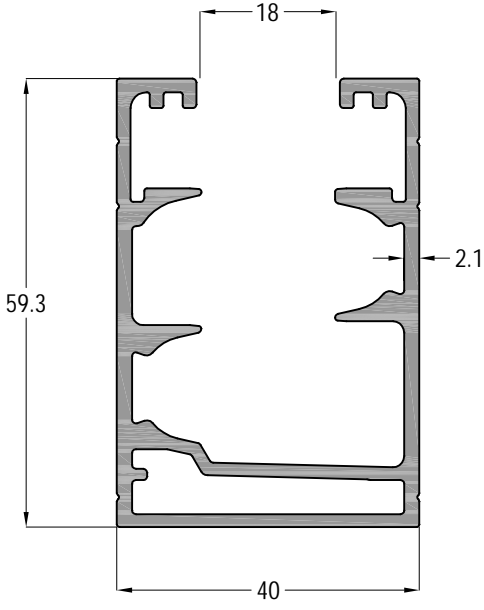
ISICAMLI CAM BALKON SİSTEMİ
GLASS BALCONY SYSTEM WITH THERMAL GLASS

ASISTAL

PROF L DETAYLARI
PROFILE DETAILS

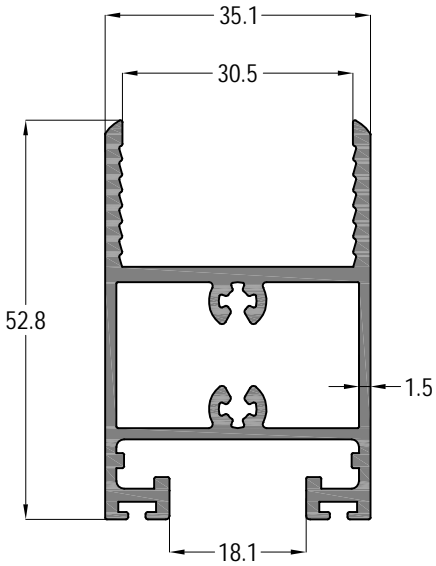
AB40T

ISICAMLI CAM BALKON S STEM
GLASS BALCONY SYSTEM WITH THERMAL GLASS



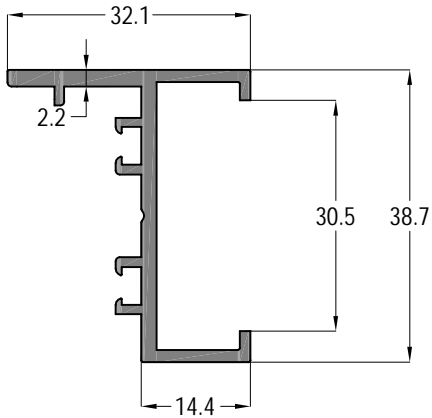
AB40T-01

AB40T-01	
	AĞIRLIK / Weight
	1,350 kg/mt



AB40T-11

AB40T-11	
	AĞIRLIK / Weight
	1,047 kg/mt



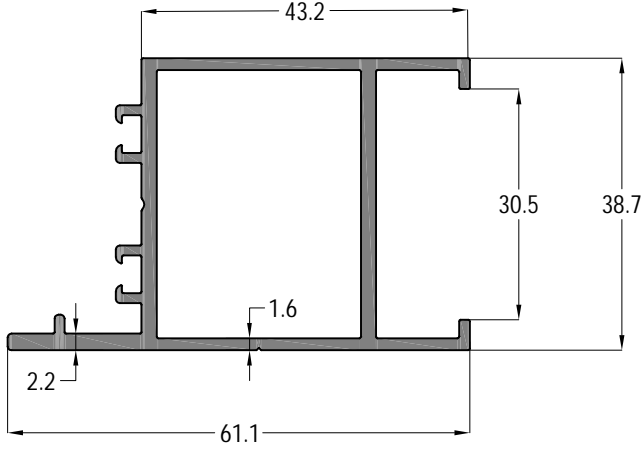
AB40T-12

AB40T-12	
	AĞIRLIK / Weight
	0,500 kg/mt

AB40T

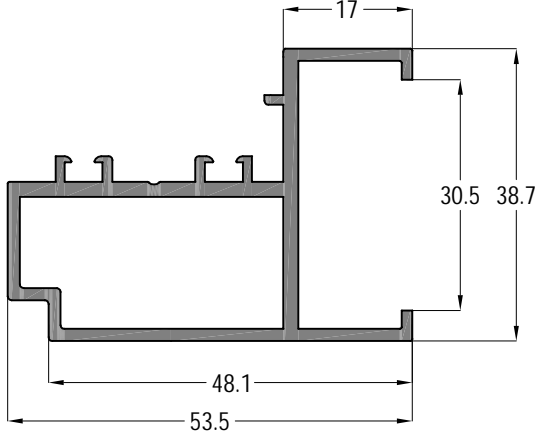
ISICAMLI CAM BALKON S STEM
GLASS BALCONY SYSTEM WITH THERMAL GLASS

ASISTAL



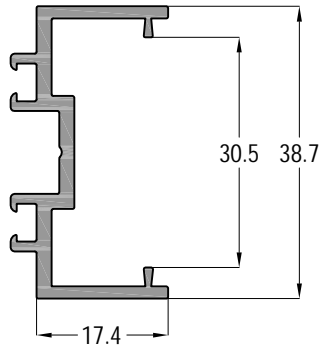
AB40T-14

AB40T-14	
	AĞIRLIK / Weight
	0,947 kg/mt



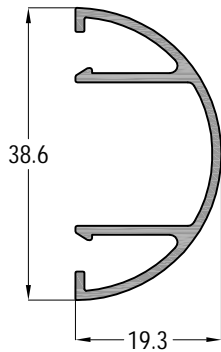
AB40T-13

AB40T-13	
	AĞIRLIK / Weight
	0,850 kg/mt



AB40T-15

AB40T-15	
	AĞIRLIK / Weight
	0,443 kg/mt



AB40T-16

AB40T-16	
	AĞIRLIK / Weight
	0,314 kg/mt

AB40T

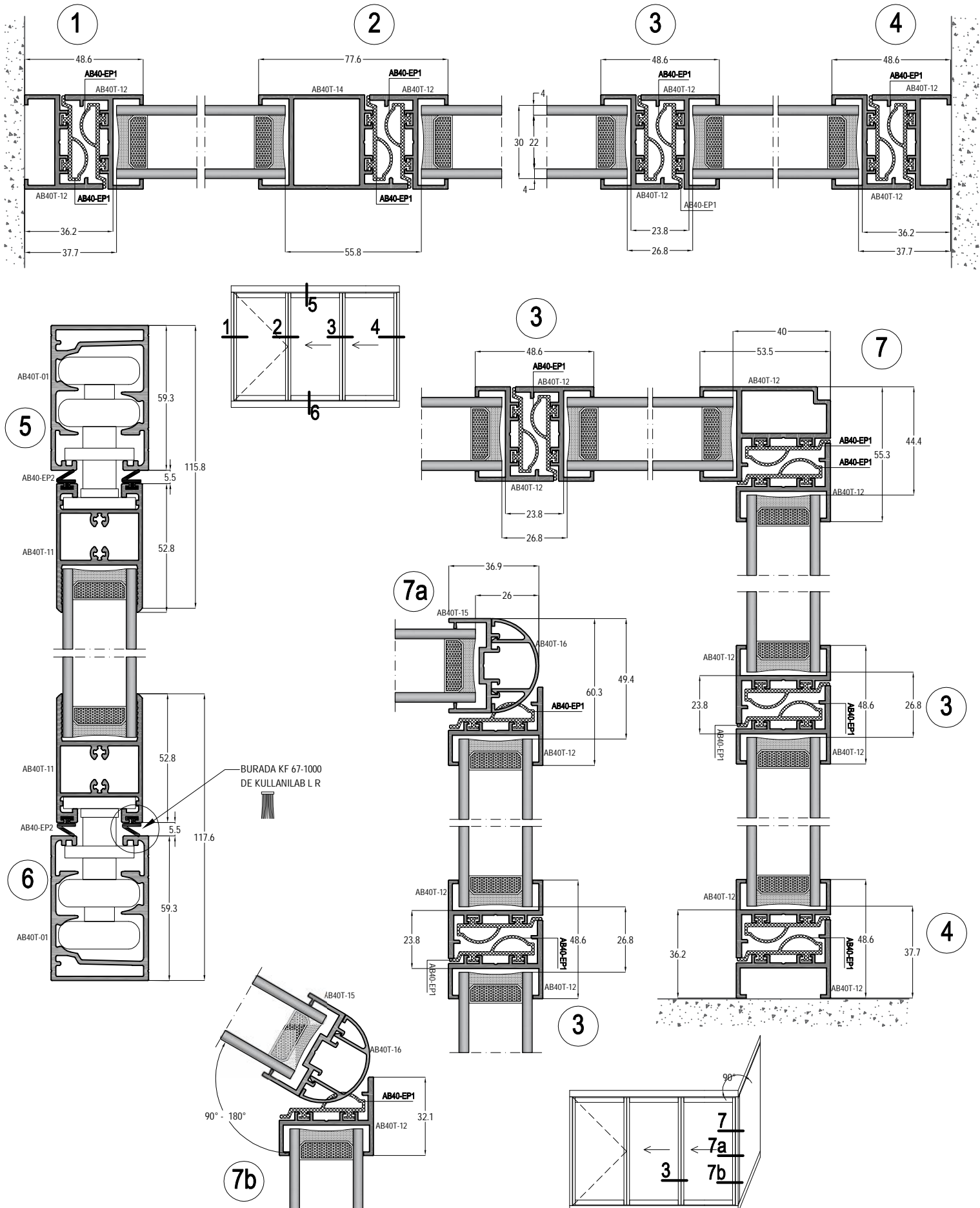
ISICAMLI CAM BALKON SİSTEMİ
GLASS BALCONY SYSTEM WITH THERMAL GLASS

ASISTAL

SİSTEM DETAYLARI
SYSTEM DETAILS

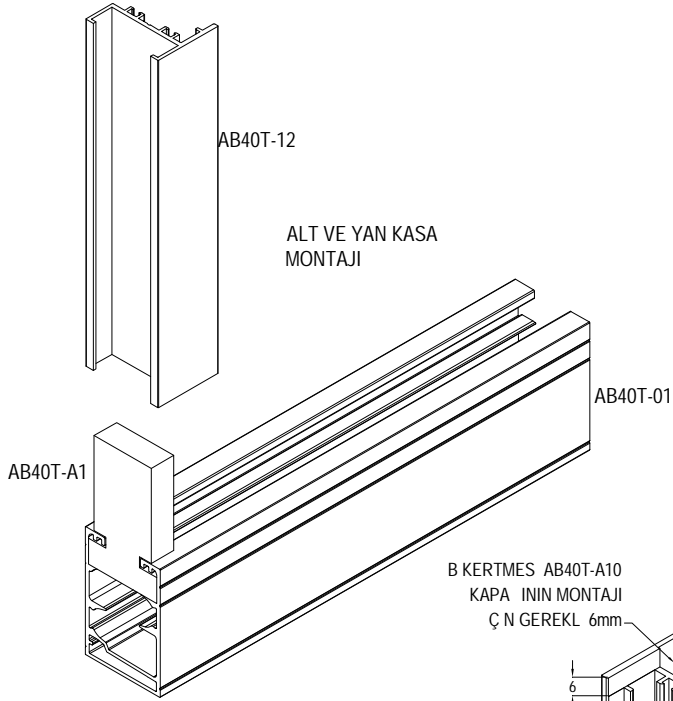
AB40T

ISICAMLI CAM BALKON S STEM
GLASS BALCONY SYSTEM WITH THERMAL GLASS

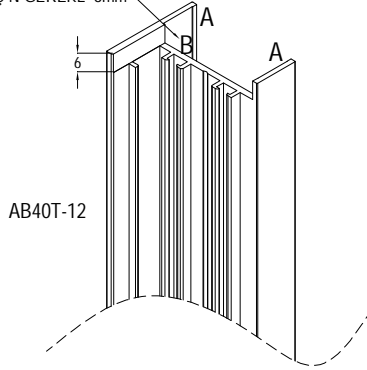


AB40T

ISICAMLI CAM BALKON S STEM
GLASS BALCONY SYSTEM WITH THERMAL GLASS

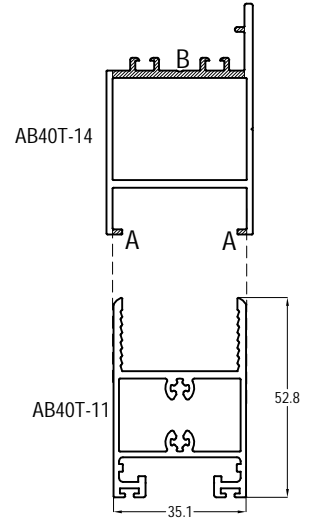
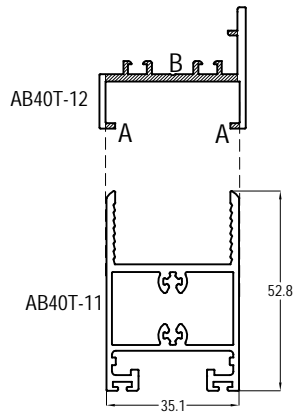
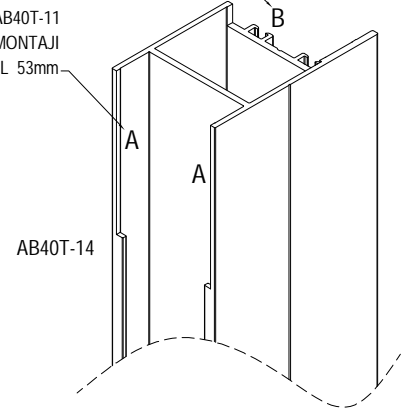


B KERTMES AB40T-A10
KAPA ININ MONTAJI
Ç N GEREKL 6mm

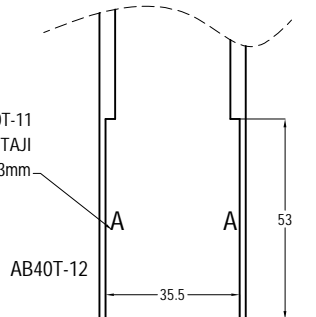


B KERTMES AB40T-A10
KAPA ININ MONTAJI
Ç N GEREKL 6mm

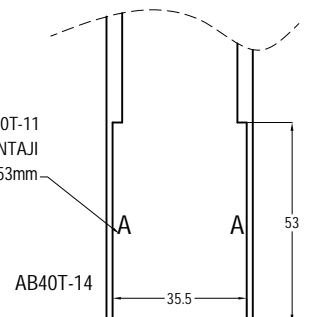
(A) KERTMES AB40T-11
ALT KANAT PROF L MONTAJI
Ç N GEREKL 53mm



(A) KERTMES AB40T-11
ALT KANAT PROF L MONTAJI
Ç N GEREKL 53mm

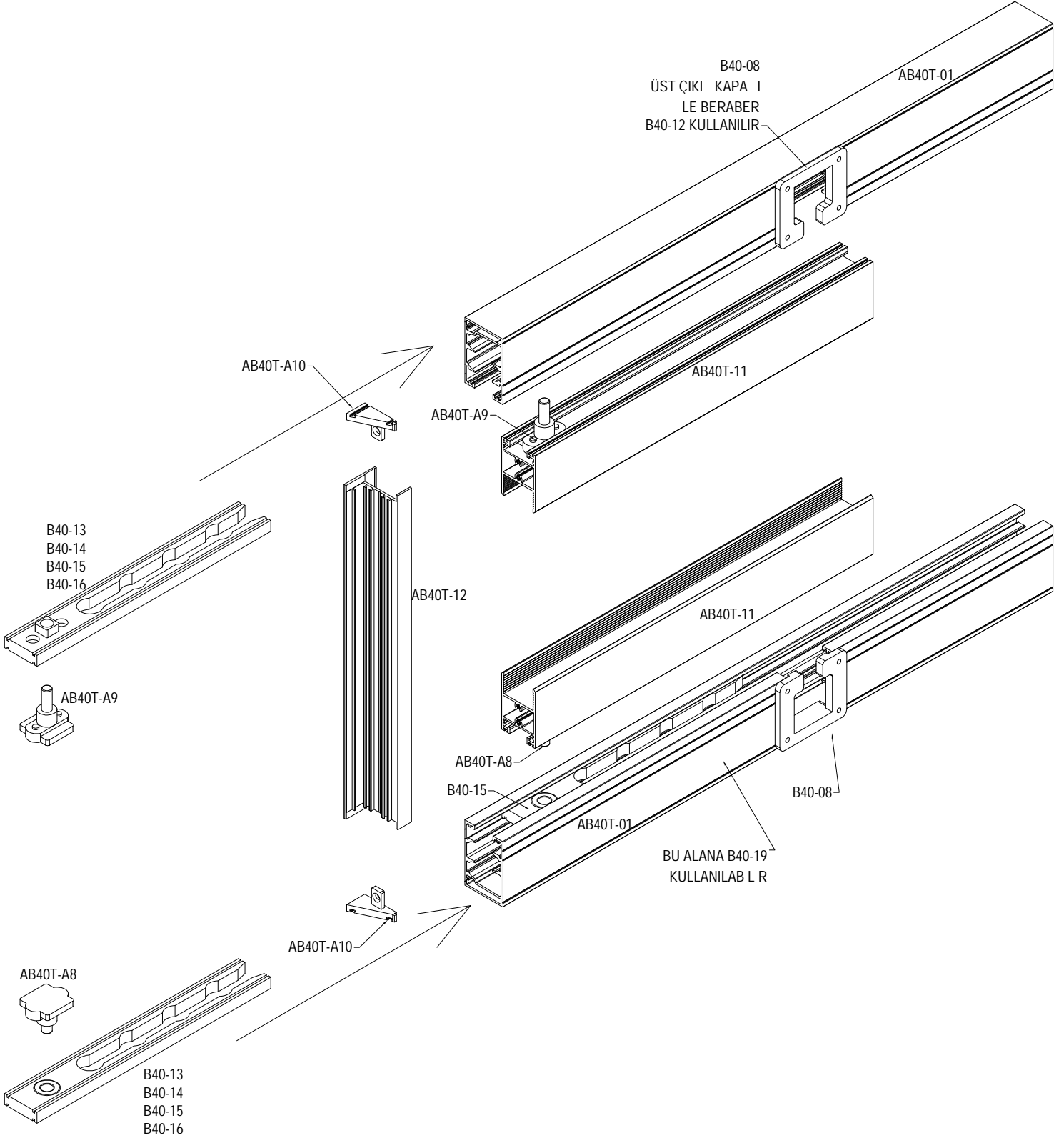


(A) KERTMES AB40T-11
ALT KANAT PROF L MONTAJI
Ç N GEREKL 53mm



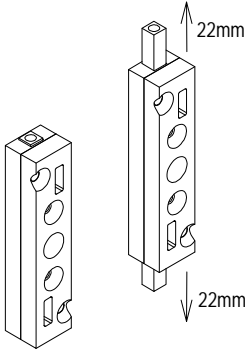
AB40T

ISICAMLI CAM BALKON S STEM
GLASS BALCONY SYSTEM WITH THERMAL GLASS



AB40T

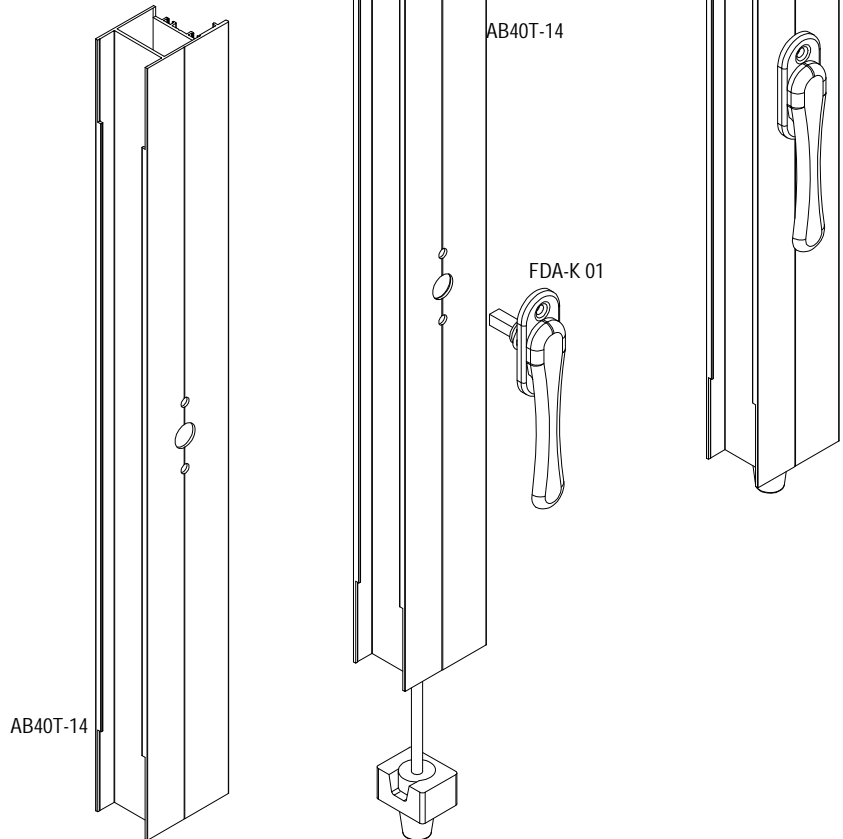
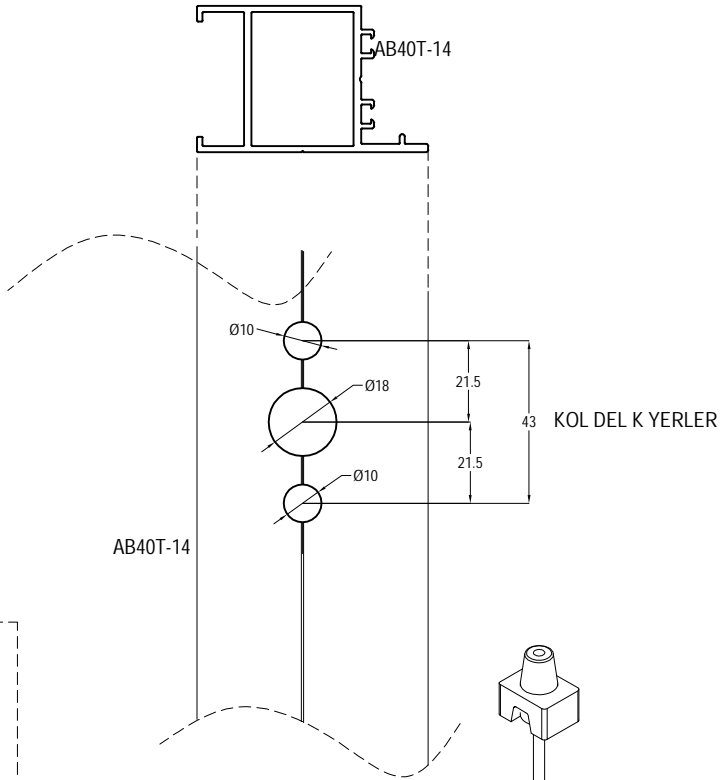
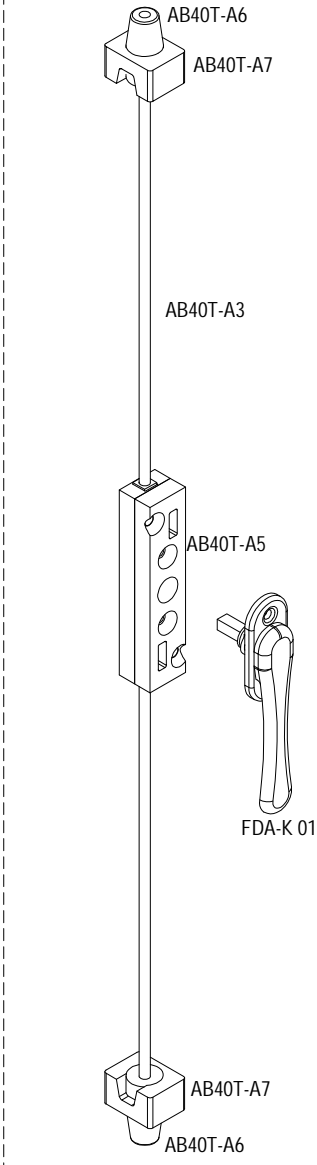
ISICAMLI CAM BALKON S STEM
GLASS BALCONY SYSTEM WITH THERMAL GLASS



AB40T-MEK
SET OLARAK SATILMAKTADIR
IT IS SOLD TO BE SET

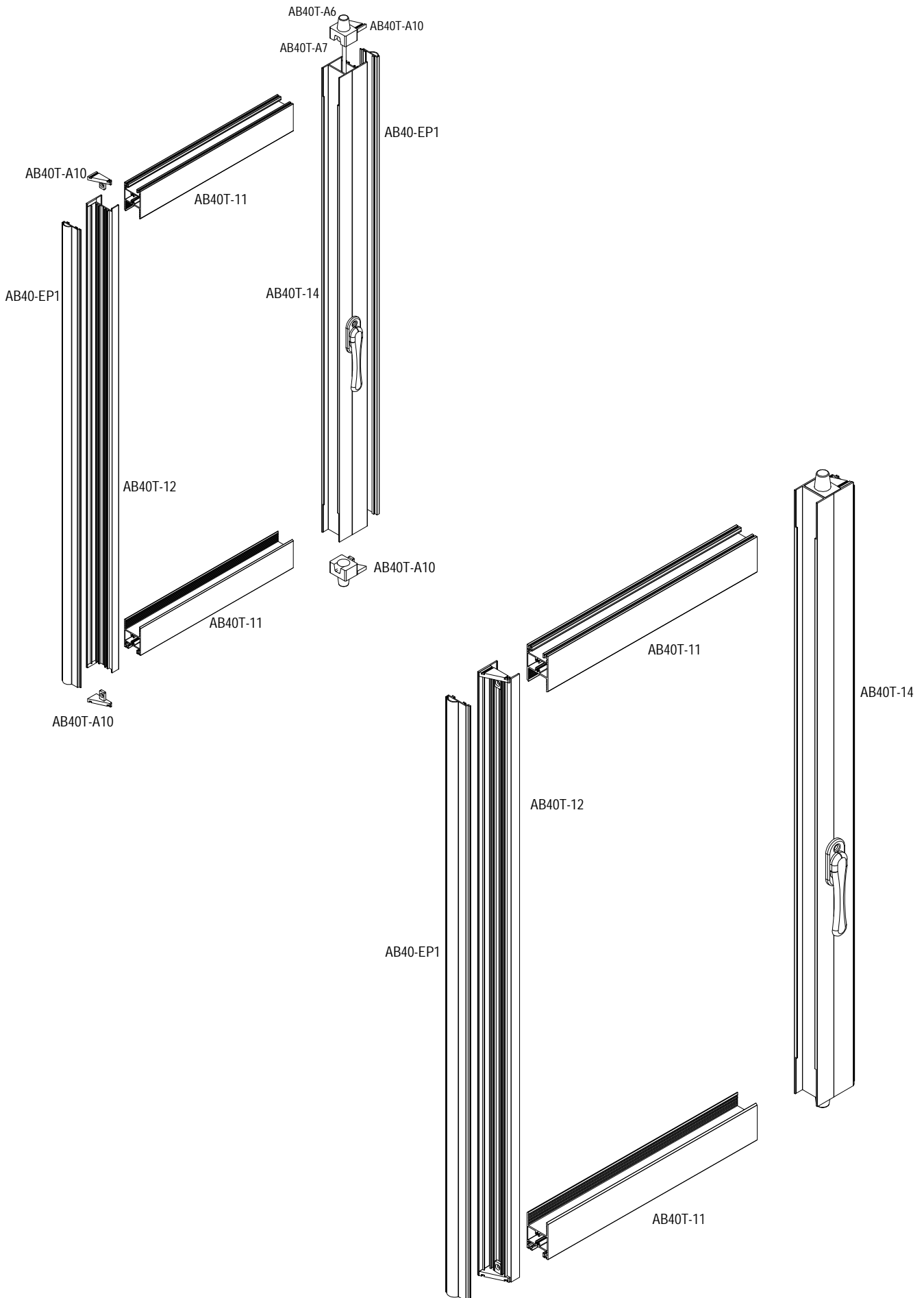
- AB40T-MEK= 1 ADET AB40T-A03
1 ADET AB40T-A05
2 ADET AB40T-A06
2 ADET AB40T-A07
1 ADET FDA-K01

AB40T-MEK



AB40T

ISICAMLI CAM BALKON S STEM
GLASS BALCONY SYSTEM WITH THERMAL GLASS

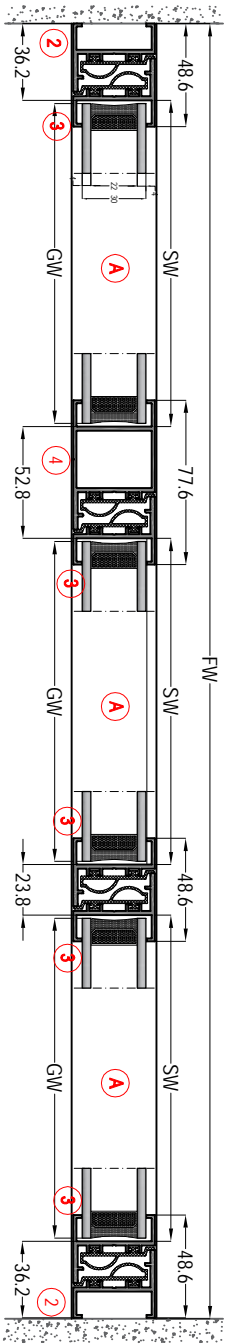


AB40T

ISICAMLI CAM BALKON SİSTEMİ
GLASS BALCONY SYSTEM WITH THERMAL GLASS

ASISTAL

MONTAJ DETAYLARI
ASSEMBLY DETAILS



$$SW \text{ (baza geni II j)} = \frac{FW - ((36.2 + 36.2 + 52.8) + ((A-2) \times 23.8))}{A}$$

ORNEK / Sample :

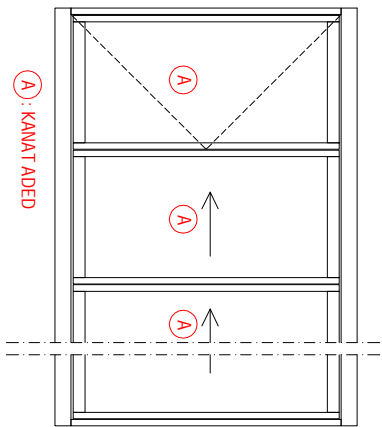
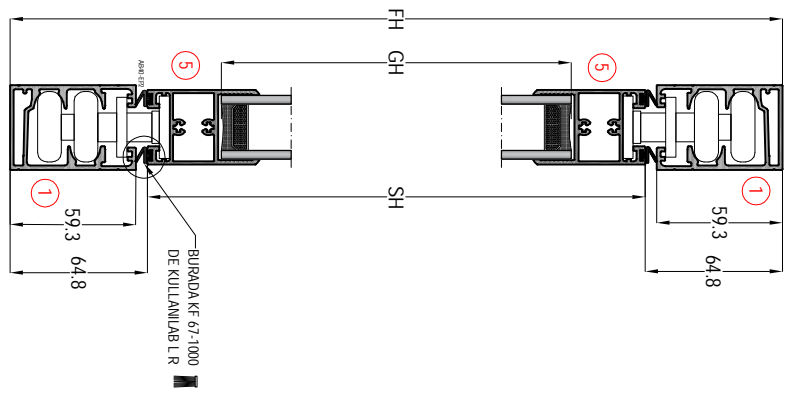
KASA GEN L (FW) : 4000mm
KAMAT ADED (A) : 5 Adet / Pcs

SW (baza geni II j) = $\frac{4000 - ((36.2 + 36.2 + 52.8) + ((5-2) \times 23.8))}{5}$

SW (baza geni II j) = $\frac{4000 - (125.2) + (71.4)}{5}$

SW (baza geni II j) = $\frac{3803.4}{5}$

SW (baza geni II j) = 760.6 mm



GW (cam geni II j) = SW - 3 mm
GH (cam yüksekli i) = SH - 70 mm

PROF LLER / PROFILES		PROF L Ç Z M / Drawing	PROF L TANIMI / Description	KES M OLÇÜSÜ / Cutting Dimensions	
NO / Number	ADET / Uml / Code	KOD / Code	PROF L Ç Z M / Drawing	PROF L TANIMI / Description	KES M OLÇÜSÜ / Cutting Dimensions
1	2	AB40T-01		YAN AY KASA PROF L / Horizontal Frame Profile	FW
2	2	AB40T-12		D KEY KASA PROF L / Vertical Frame Profile	FH - 118.6 mm
3	A x 2	AB40T-12		YAN KAMAT PROF L / Vertical Sash Profile	SH = FH - 129.6 mm
4	1	AB40T-14		KAMAT K L TEME PROF L / Sash Locking Profile	SH = FH - 129.6 mm
5	A x 2	AB40T-11		ALT KAMAT PROF L / Horizontal Sash Profile	FW (36.2+36.2+52.8) / (A-2)X23.8 / A
	(A+1) x 2	AB40-EP1		YAN KAMAT F T L / Vertical Sash Gasket	SH = FH - 129.6 mm
	A x 4	AB40-EP2		YATAY KAMAT F T L / Horizontal Sash Gasket	SW + 19 mm

AKSESUARLAR / ACCESSORIES

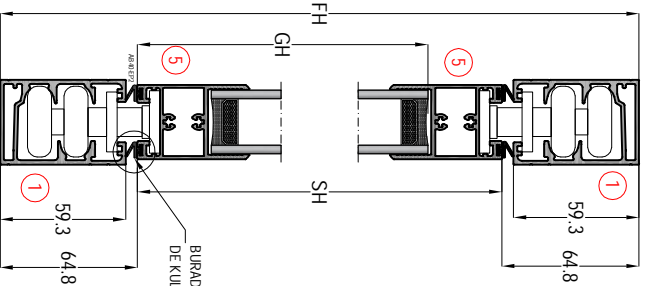
MKTAR / Uml / Drawing	KOD / Code	PROF L Ç Z M / Drawing	PROF L TANIMI / Description
2 Adet / Pcs	B40-08		TEKER ÇIKI KAPA I / Roller Out Cover
1 Adet / Pcs	B40-12		KAMAT TEKER KILAVUZU / Roller Guide
2 Adet / Pcs	B40-14		KAMAT PARK SAB TEME: KAMAT ADED NE GORE / Sash Fixing Slot According to Sash Pcs
2 Adet / Pcs x (A)	AB40T-A1		KAMAT SAB T TEKER / Roller for Sash
(2 Adet / Pcs x (A)) - 2	AB40T-A2		KAMAT K L T TEKER / Roller for Park
1 Adet / Pcs	AB40T-A3		K L TEME M6 G JON T J / M6 Gjon For Locking
4 Adet / Pcs	AB40T-A4		YAN KASA BA LANIT / Frame Joint Part
1 Adet / Pcs	AB40T-A5		SPANVOLET K L TEME / Gear Box
1 Adet / Pcs	FDA-K-01		K L TEME KOLU / Handle for Sash
2 Adet / Pcs	AB40T-A6		SPANVOLET K L TEME P M / Locking Part
2 Adet / Pcs	AB40T-A7		K L TEME P M KILAVUZU / Locking Part Adapter
1 Adet / Pcs	AB40T-A8		LK KAMAT ALT P M / First Sash Bottom Hinge
1 Adet / Pcs	AB40T-A9		LK KAMAT UST P M / First Sash Top Hinge
4 Adet / Pcs x (A)	AB40T-A10		KAMAT KAPA I / Cover for Sash
1 Adet / Pcs	B40-19		KAMAT STOPLAM / Sash Stopper

PROF LLER / PROFILES

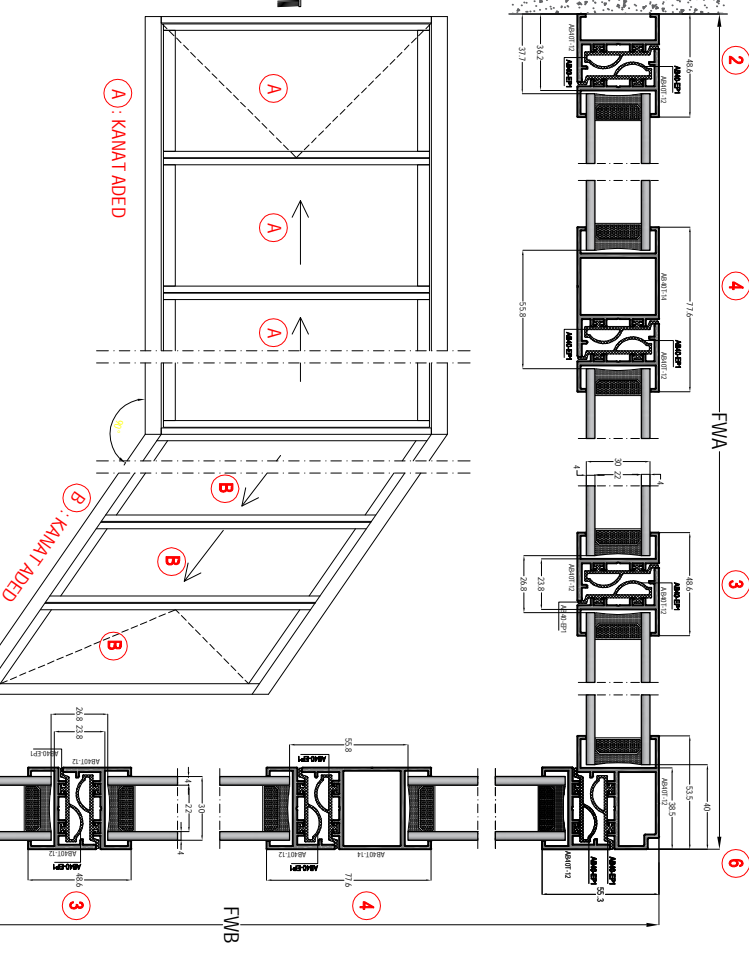
NO / Number	ADEL / Unlt	KOD / Code	PROF L Ç Z M / Drawing	PROF L TANIMI / Description	KESİM ÖLÇÜSÜ / Cutting Dimensions
1	2	AB40T-01		YATAY KASA PROF L / Horizontal Frame Profile	FWA
1	2	AB40T-01		YATAY KASA PROF L / Horizontal Frame Profile	FWB
2	4	AB40T-12		D KEY KASA PROF L / Vertical Frame Profile	FH - 118,6 mm
3	7	AB40T-12		YANI KANAT PROF L / Vertical Sash Profile	SH = FH - 129,6 mm
4	2	AB40T-14		KANAT K L TLEME PROF L / Sash Locking Profile	SH = FH - 129,6 mm
5	A x 2	AB40T-11		ALT KANAT PROF L / Horizontal Sash Profile	FWL((36,2+38,45+52,8)+(A-2)x23,8)
5	B x 2	AB40T-11		ALT KANAT PROF L / Horizontal Sash Profile	FWL((36,2+42,9+52,8)+(A-2)x23,8) / A
6	1	AB40T-12		KANAT KO E PROF L / Corner Profile	SH = FH - 129,6 mm
	(A+B-2) x 2	AB40-EP1		YANI KANAT F T L / Vertical Sash Gasket	SH
	(A+B) x 4	AB40-EP2		YATAY KANAT F T L / Horizontal Sash Gasket	SW + 19 mm

AKSESUARLAR / ACCESSORIES

MARKA / Unlt	KOD / Code	PROF L Ç Z M / Drawing	PROF L TANIMI / Description
4 Adet / Pcs	BA0-08		TEKER ÇIKI KAPA I / Roller Out Cover
2 Adet / Pcs	BA0-12		KANAT TEKER KILAVUZU / Roller Guide
4 Adet / Pcs	BA0-14		KANAT PARK SA8 TLEME KANAT ADED NE GORE / Sash Fixing SW According to Sash Pcs
2 Adet / Pcs x (A+B)	AB40T-A1		KANAT SA8 T TEKER / Roller for Sash
(2 Adet / Pcs x (A+B)) ²	AB40T-A2		KANAT K L T TEKER / Roller For Park
2 Adet / Pcs	AB40T-A3		K L TLEME M6 G JON T J / M6 GJm For Locking
4 Adet / Pcs	AB40T-A4		YANI KASA BA LANTI / Frame Joint Part
2 Adet / Pcs	AB40T-A5		SPANVOJET K L TLEME / Gear Box
2 Adet / Pcs	FDA-K 01		K L TLEME KULU / Handle for Sash
4 Adet / Pcs	AB40T-A6		SPANVOJET K L TLEME P M / Locking Part
4 Adet / Pcs	AB40T-A7		K L TLEME P M KILAVUZU / Locking Part Adapter
2 Adet / Pcs	AB40T-A8		LK KANAT ALT P M / First Sash Bottom Hinge
2 Adet / Pcs	AB40T-A9		LK KANAT ÜST P M / First Sash Top Hinge
4 Adet / Pcs x (A+B)	AB40T-A10		KANAT KAPA I / Cover For Sash
2 Adet / Pcs	BA0-19		KANAT STOPLAMIA / Sash Stopper

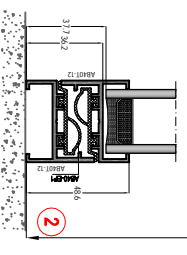


GW (cam geni İI İ) = SW - 3 mm
GH (cam yüksekli İ) = SH - 70 mm



ÖRNEK / Sample :
KASA GEN L (FW) : 2000mm
KANAT ADED (A) : 3 Adet / Pcs
SW (baza geni İI İ) = $\frac{2000 - ((36,2 + 38,45 + 52,8) + (3 - 2) \times 23,8)}{3}$
SW (baza geni İI İ) = $\frac{2000 - ((127,49) + (23,8))}{3}$
SW (baza geni İI İ) = $\frac{1848,75}{3}$
SW (baza geni İI İ) = 616,2 mm

ÖRNEK / Sample :
KASA GEN L (FW) : 2000mm
KANAT ADED (B) : 3 Adet / Pcs
SW (baza geni İI İ) = $\frac{2000 - ((36,2 + 42,9 + 52,8) + (3 - 2) \times 23,8)}{3}$
SW (baza geni İI İ) = $\frac{2000 - ((131,9) + (23,8))}{3}$
SW (baza geni İI İ) = $\frac{1844,3}{3}$
SW (baza geni İI İ) = 614,7 mm

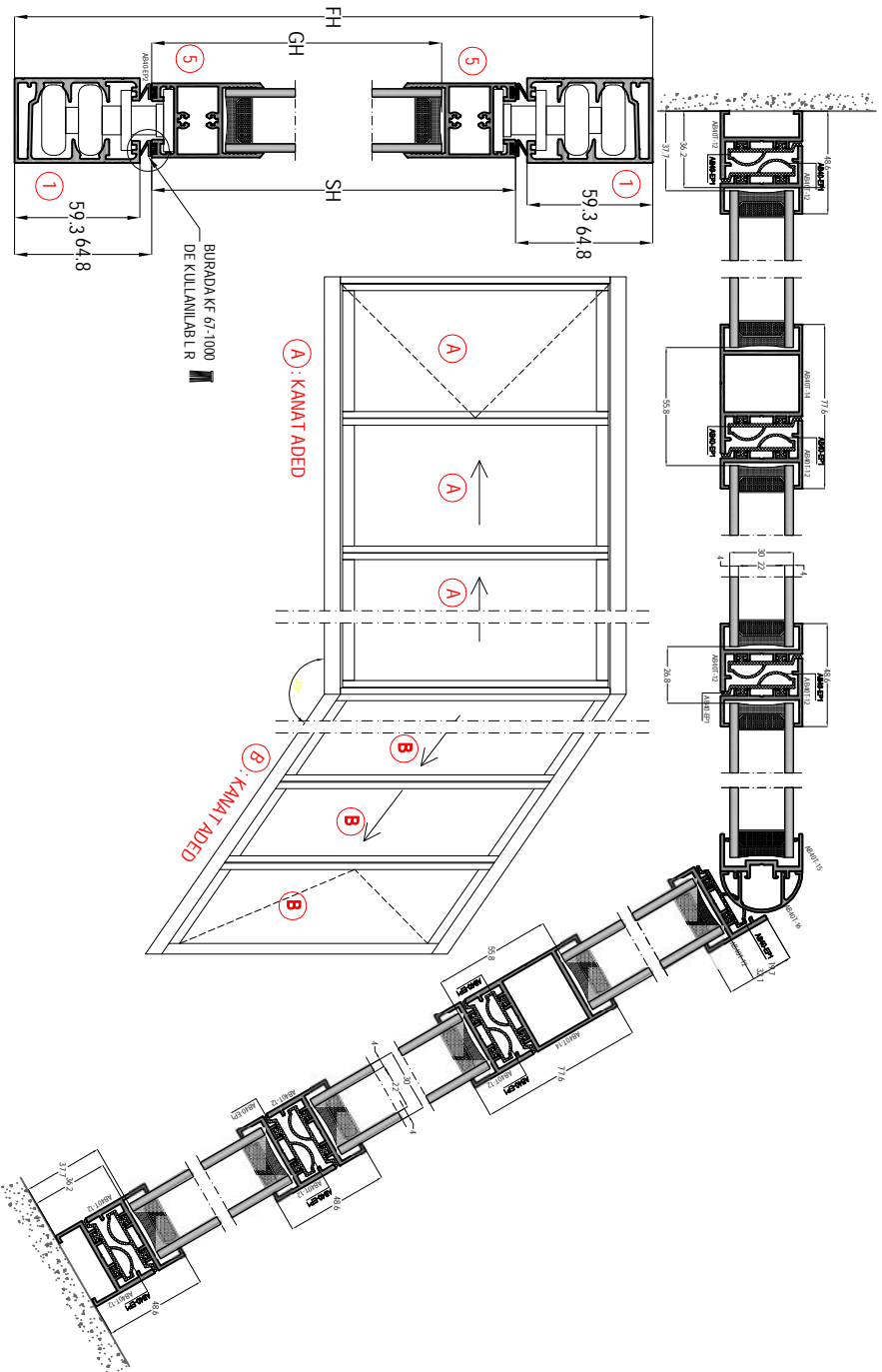


PROFİLLER / PROFILES

NO / Number	ADET / Ünit	KOD / Code	PROF L Ç ZM / Drawing	PROF L TANIMI / Description	KESİM ÖLÇÜSÜ / Cutting Dimensions
1	2	AB40T-01		YATAY KASA PROF L / Horizontal Frame Profile	FWA
1	2	AB40T-01		YATAY KASA PROF L / Horizontal Frame Profile	FVB
2	4	AB40T-12		D KEY KASA PROF L / Vertical Frame Profile	FH - 118,6 mm
3	7	AB40T-12		YAN KANAT PROF L / Vertical Sash Profile	SH = FH - 129,6 mm
4	2	AB40T-14		KANAT K L TLEMME PROF L / Sash Locking Profile	SH = FH - 129,6 mm
5	A x 2	AB40T-11		ALT KANAT PROF L / Horizontal Sash Profile	FW((36,2+38,45+52,8) + (A-2)x23,8) / A
5	B x 2	AB40T-11		ALT KANAT PROF L / Horizontal Sash Profile	FW((36,2+42,39+52,8) + (A-2)x23,8) / A
6	1	AB40T-15		KANAT KO E PROF L / Corner Profile	SH = FH - 129,6 mm
7	1	AB40T-16		KANAT KO E PROF L / Corner Profile	SH = FH - 129,6 mm
	(A+B-2) x 2	AB40-EP1		YAN KANAT F TL / Vertical Sash Gasket	SH
	(A+B) x 4	AB40-EP2		YATAY KANAT F TL / Horizontal Sash Gasket	SW + 19 mm

AKSESUARLAR / ACCESSORIES

MİKTAR / Ünit	KOD / Code	PROF L Ç ZM / Drawing	PROF L TANIMI / Description
4 Adet / Pcs	B40-08		TEKER ÇIKI KAPA I / Roller Out Cover
2 Adet / Pcs	B40-12		KANAT TEKER KILAVUZU / Roller Guide
4 Adet / Pcs	B40-14		KANAT PAIRK SAĞ TLEMME- KANAT ADED NE GÖRE / Sash Fixing Sash According to Sash Pcs
2 Adet / Pcs x (A+B)	AB40T-A1		KANAT SAĞ T TEKER / Roller for Sash
(2 Adet / Pcs x (A+B)) -2	AB40T-A2		KANAT K L T TEKER / Roller for Park
2 Adet / Pcs	AB40T-A3		K L TLEMME M6 G JON T J / M6 Gpin For Locking
4 Adet / Pcs	AB40T-A4		YAN KASA BA LANTI / Frame Joint Part
2 Adet / Pcs	AB40T-A5		SPANVOLET K L TLEMME / Gear Box
2 Adet / Pcs	FDA-K 01		K L TLEMME KOUU / Handle for Sash
4 Adet / Pcs	AB40T-A6		SPANVOLET K L TLEMME P M / Locking Part
4 Adet / Pcs	AB40T-A7		K L TLEMME P M KILAVUZU / Locking Part Adapter
2 Adet / Pcs	AB40T-A8		LK KANAT ALT P M / First Sash Bottom Hinge
2 Adet / Pcs	AB40T-A9		LK KANAT ÜST P M / First Sash Top Hinge
4 Adet / Pcs x (A+B)	AB40T-A10		KANAT KAPA I / Cover For Sash
2 Adet / Pcs	B40-19		KANAT STOPLAMMA / Sash Stopper



GW (cam geni II i) = SW - 3 mm
GH (cam yüksekli i) = SH - 70 mm

ORNEK / Sample :
KASA GEN L (FW) : 2000mm
KANAT ADED (A) : 3 Adet / Pcs
SW (baza geni II i) = $\frac{2000 - ((13,5) + (23,8))}{3}$
SW (baza geni II i) = $\frac{2000 - ((36,2 + 24,5 + 52,8) + ((3 - 2) \times 23,8))}{3}$
SW (baza geni II i) = $\frac{1862,7}{3}$
SW (baza geni II i) = 620,9 mm

ORNEK / Sample :
KASA GEN L (FW) : 2000mm
KANAT ADED (B) : 3 Adet / Pcs
SW (baza geni II i) = $\frac{2000 - ((108,7) + (23,8))}{3}$
SW (baza geni II i) = $\frac{1867,5}{3}$
SW (baza geni II i) = 622,5 mm