

LS60

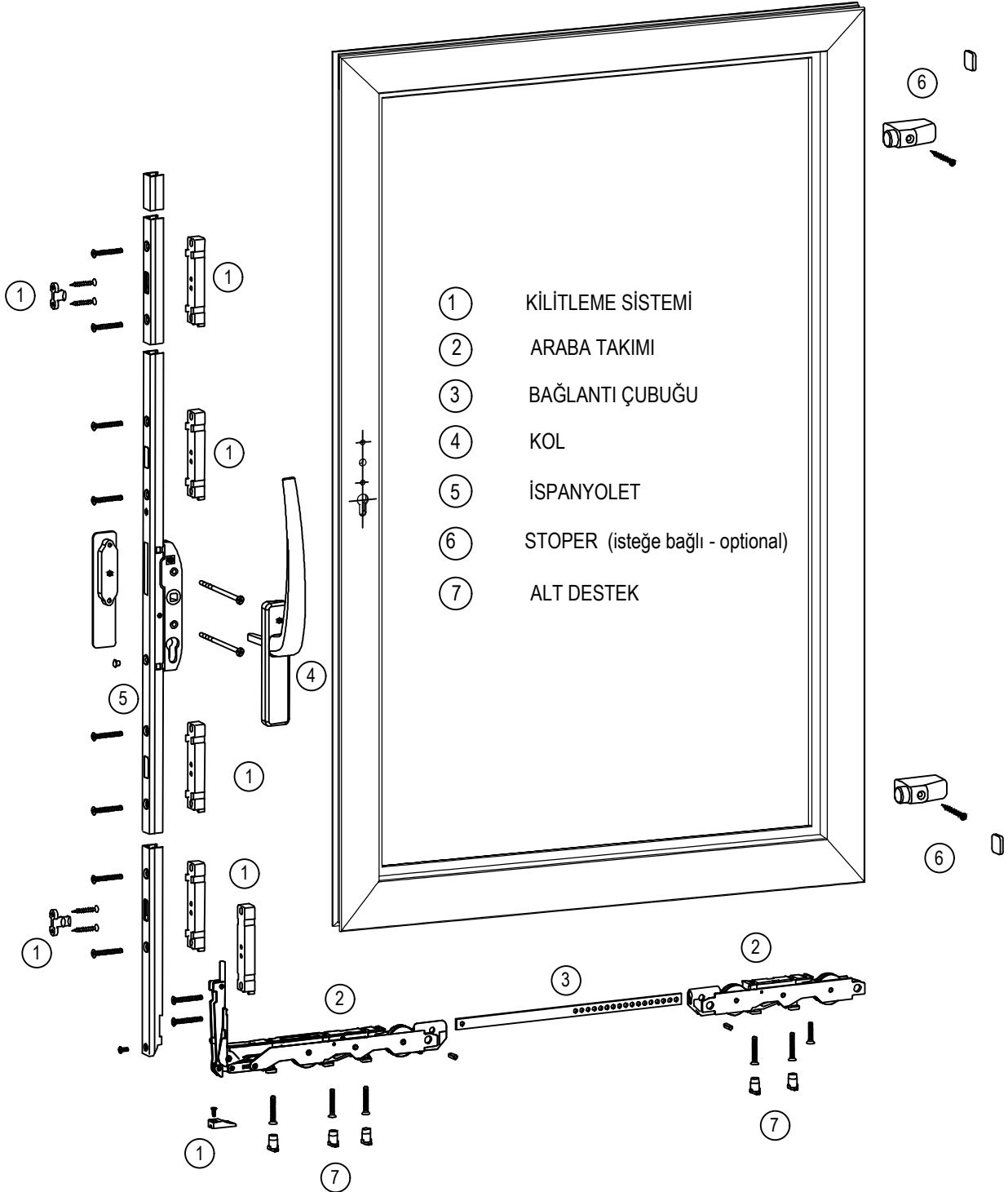
YALITIMLI KALDIR-SÜR SİSTEM
THERMAL LIFT&SLIDE SYSTEM

ASISTAL

KESİM VE MONTAJ ÇİZİMLERİ
CUTTING & ASSEMBLY DRAWINGS

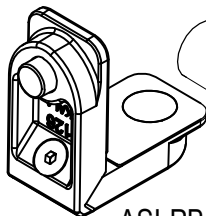
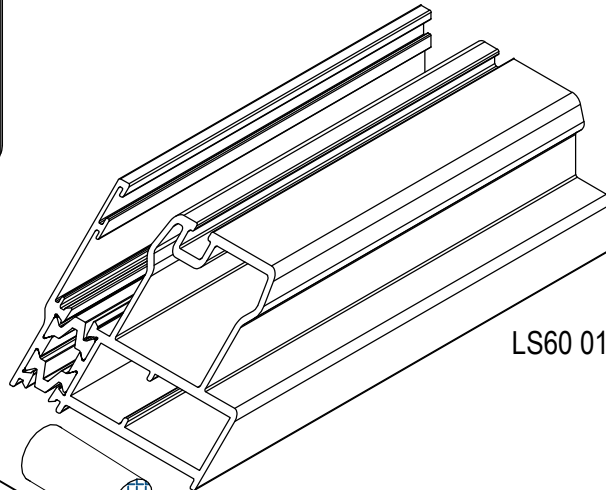
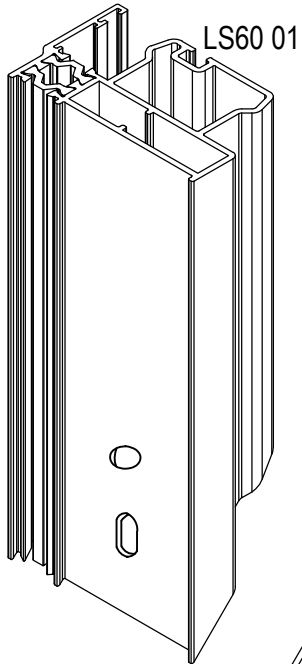
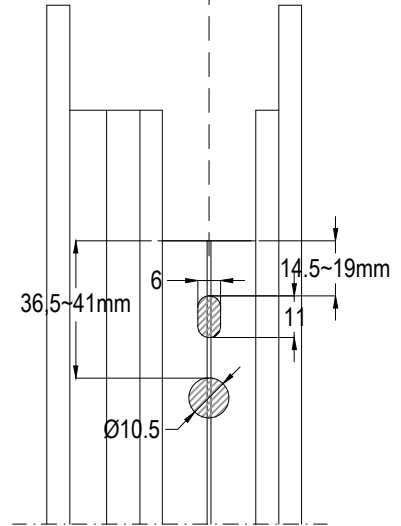
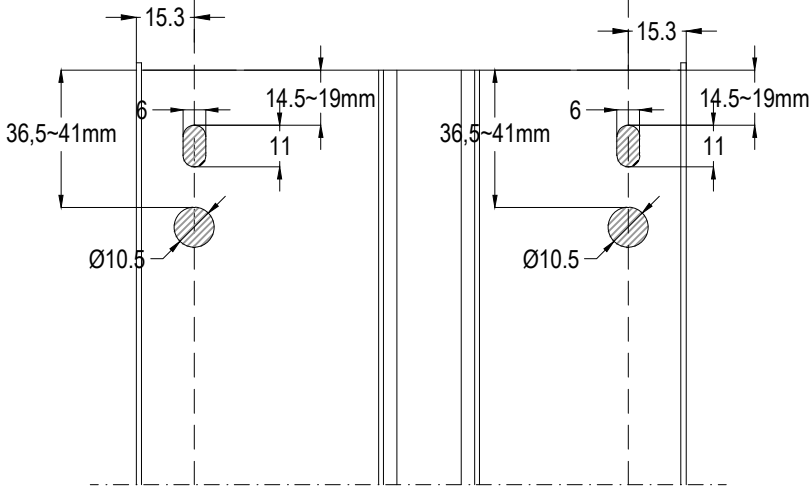
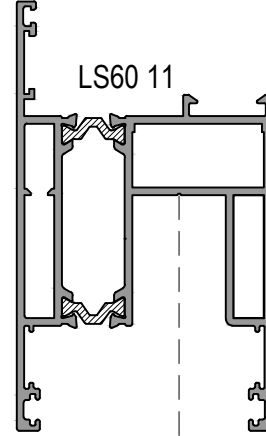
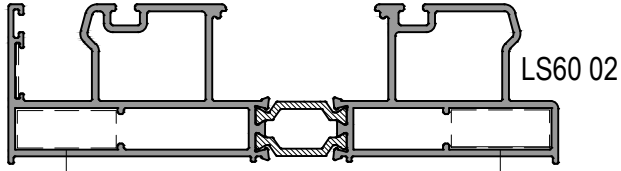
KALDIR-SÜR MEKANİZMASI MONTAJ ŞEMASI - LS60 MEK ve MEK2 İÇİN

LIFT & SLIDING MECHANISM INSTALLATION FOR LS60 MEK1 & MEK2



KANAT - KASA PİMLİ KÖŞE BAĞLANTI MONTAJI

BUTTON CORNER JOINT ASSEMBLY FOR FRAME & SASH



ASI-PB 1126

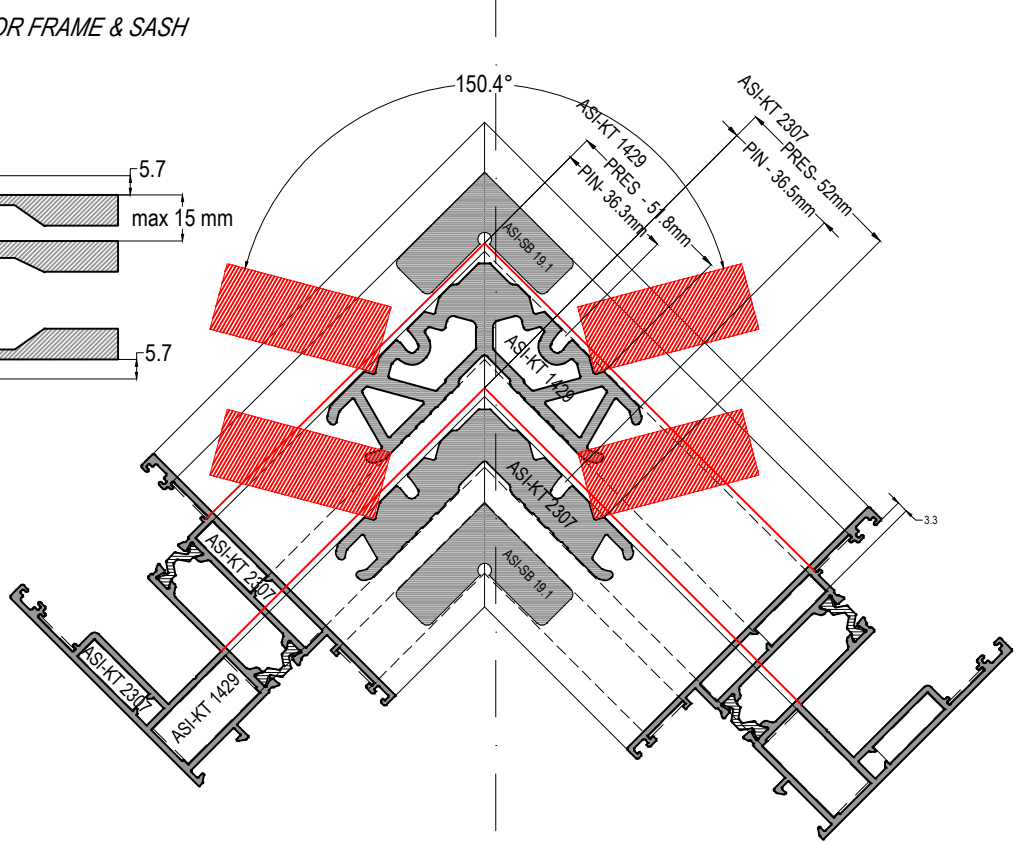
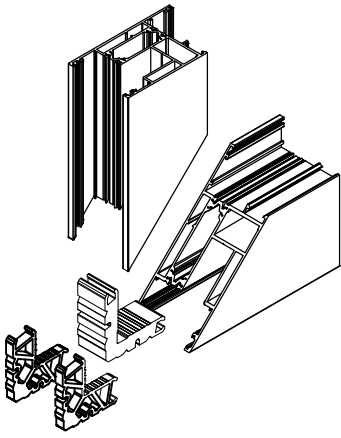
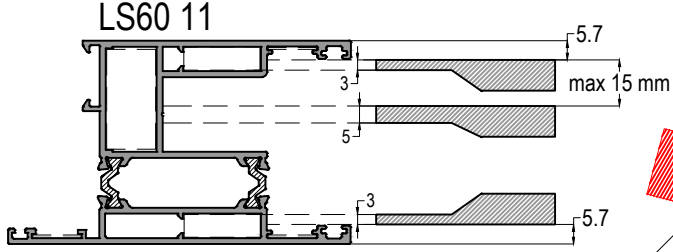
Sosis Doldu / Plug

LS60 01

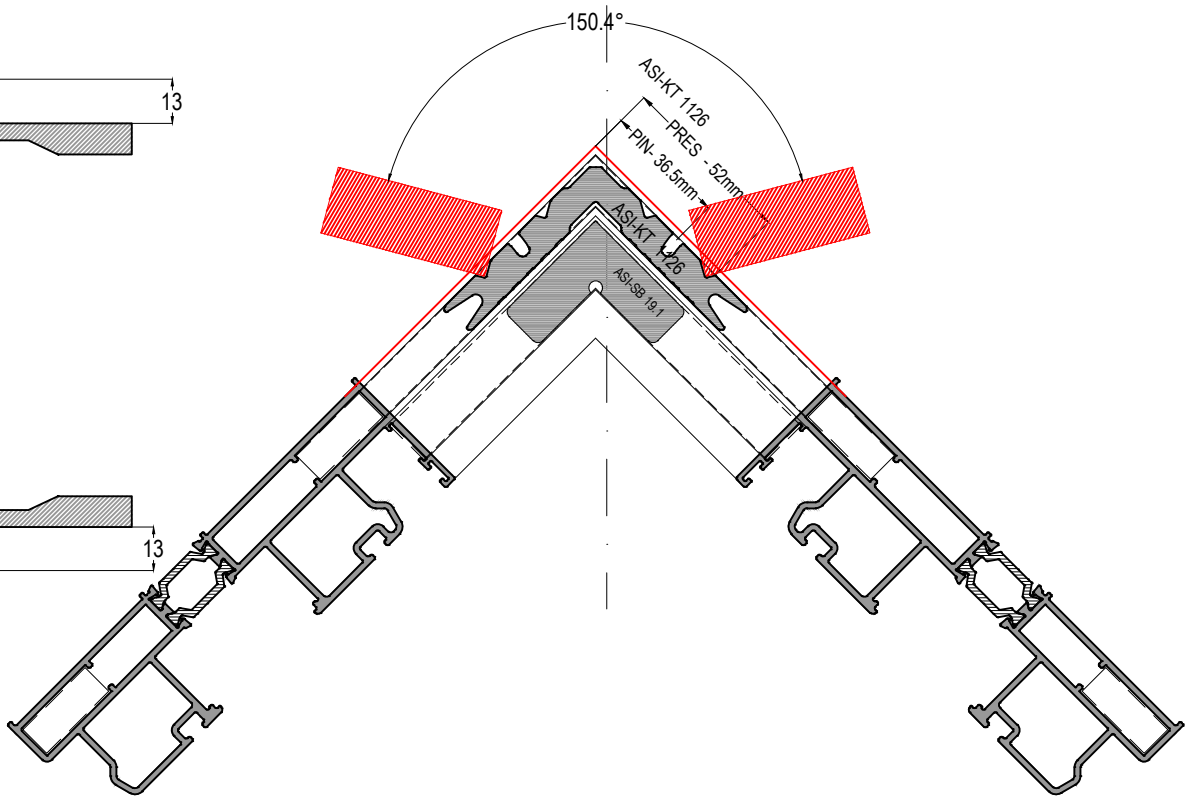
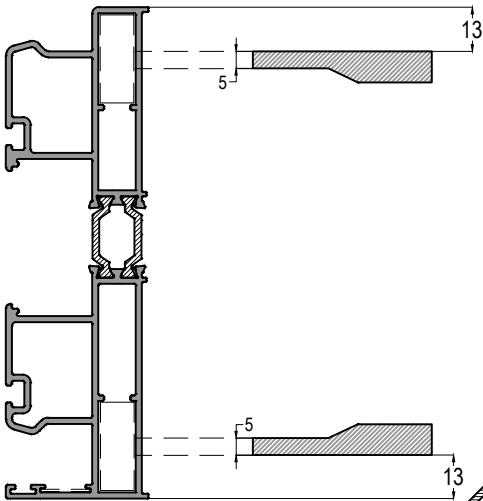


KANAT - KASA PRES KÖŞE BAĞLANTI MONTAJI

PRESS CORNER JOINT ASSEMBLY FOR FRAME & SASH



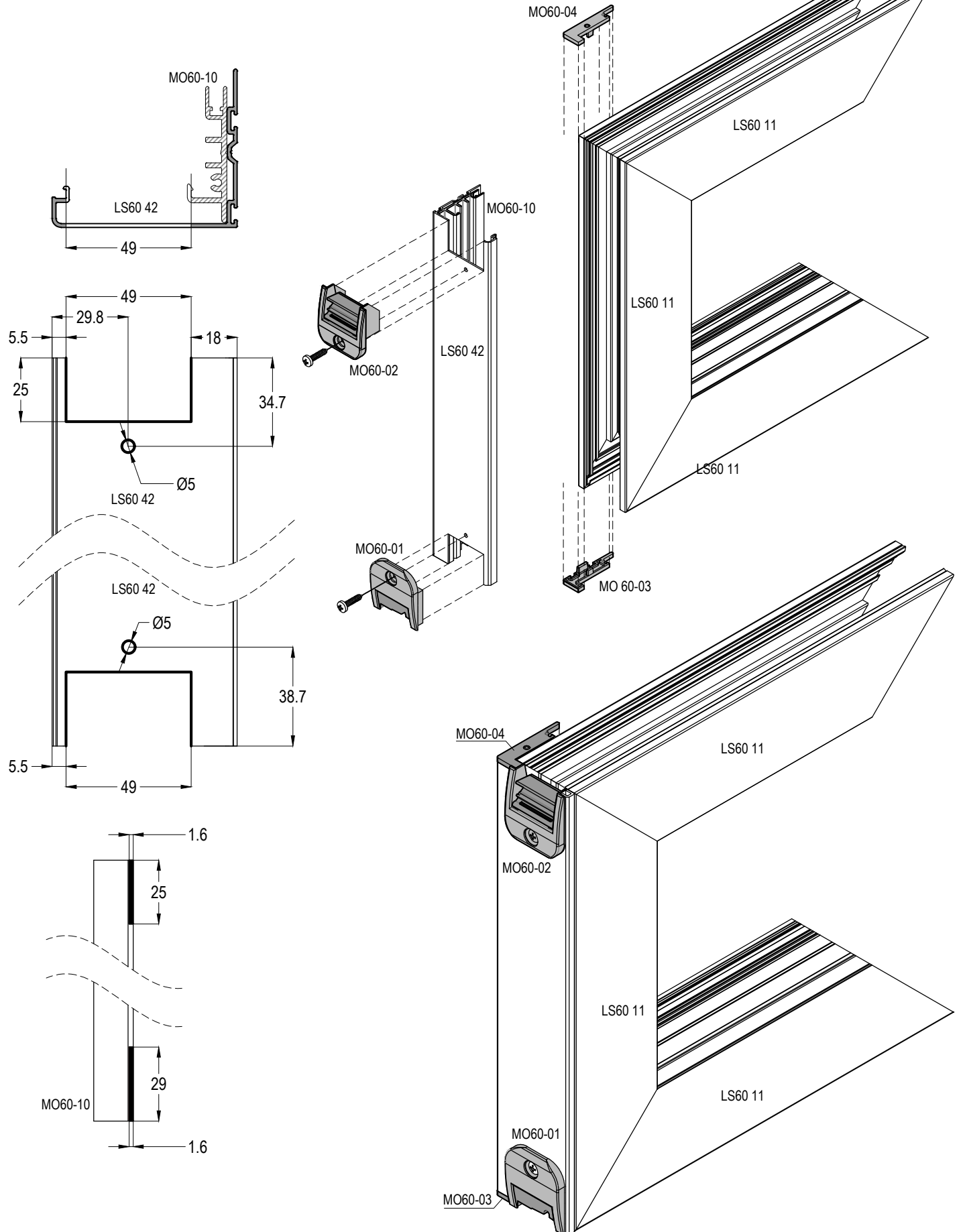
LS60 02





KENET BAĞLANTI MONTAJI

ASSEMBLY FOR CENTRAL LOCKING



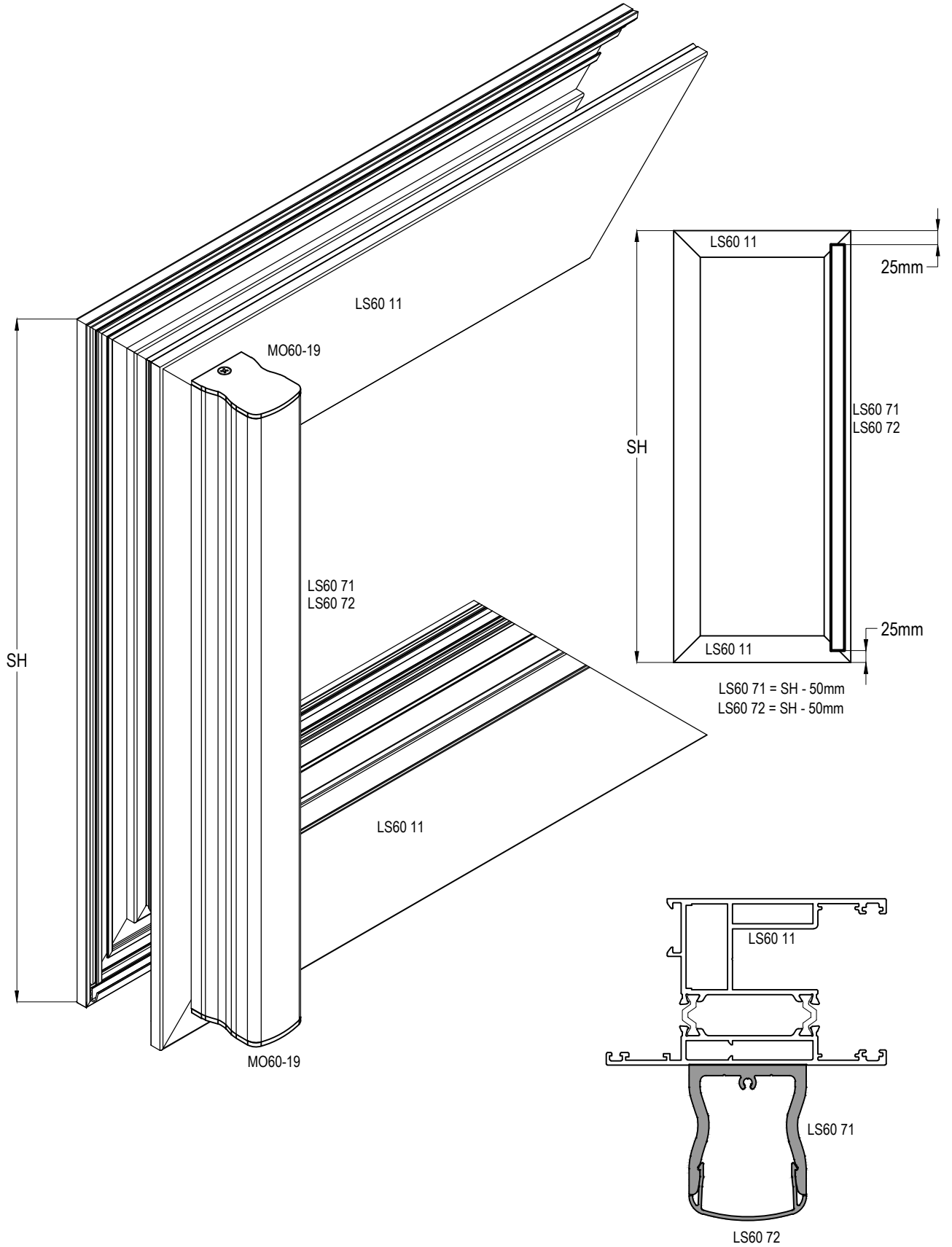
LS60

YALITIMLI KALDIR-SÜR SİSTEM
THERMAL LIFT&SLIDE SYSTEM

ASISTAL

TAKVİYE KOL BAĞLANTI MONTAJI

ASSEMBLY FOR SUPPORTED HANDLE PROFILE



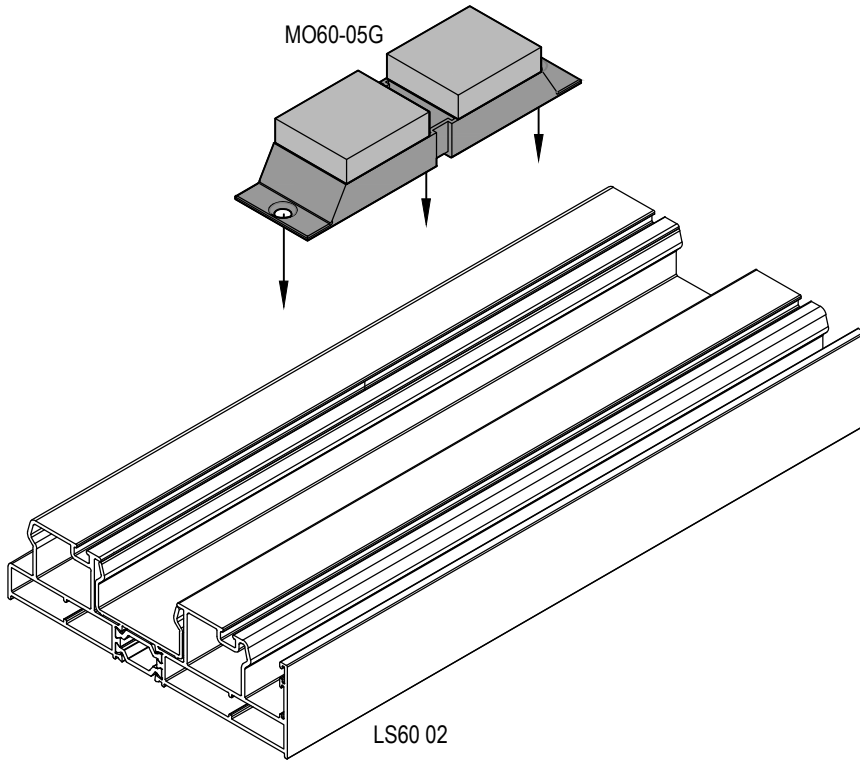
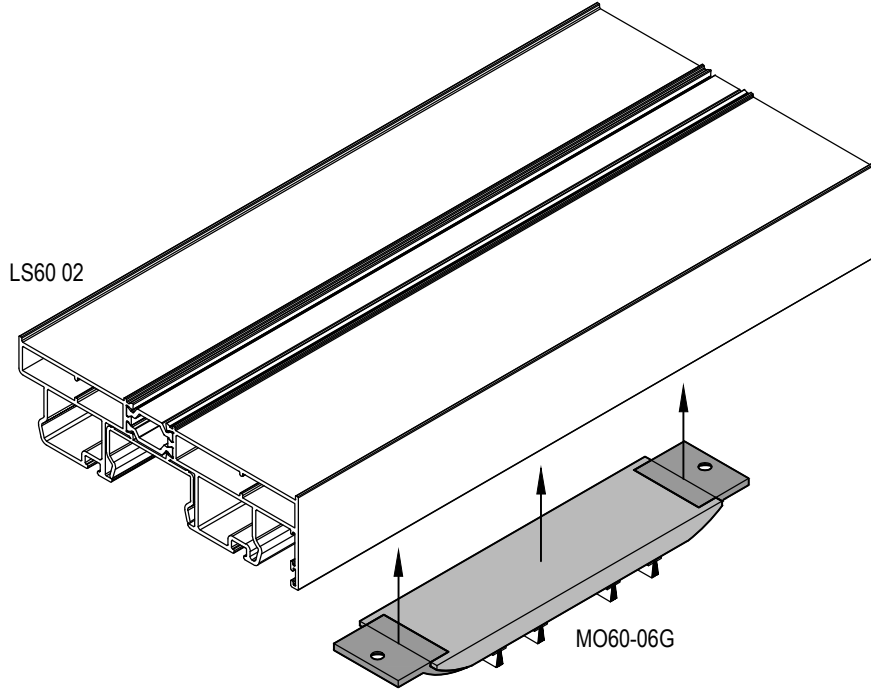
LS60

YALITIMLI KALDIR-SÜR SİSTEM
THERMAL LIFT&SLIDE SYSTEM

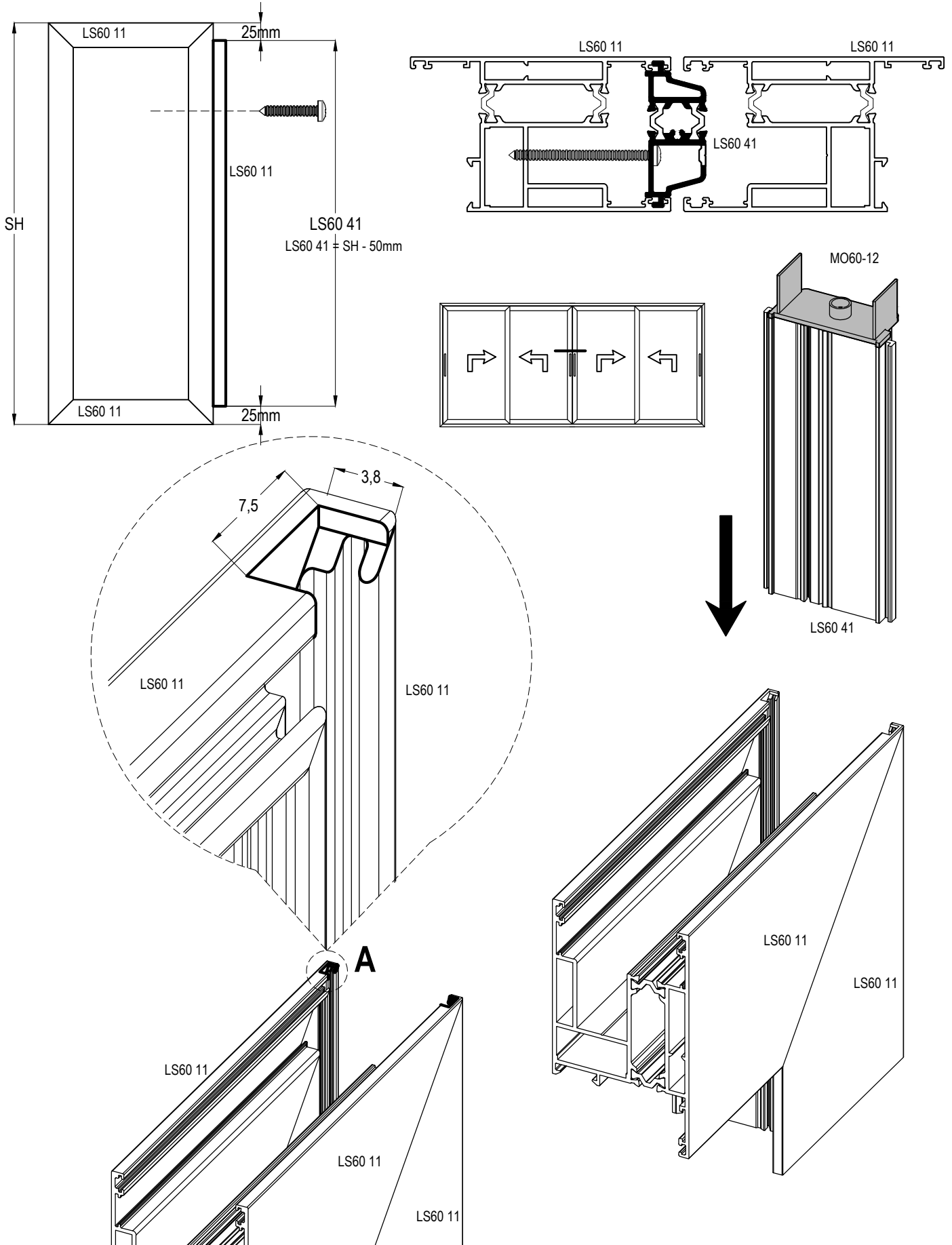
ASISTAL

ALT-ÜST HAVA KESİCİ MONTAJI

ASSEMBLY FOR CENTRAL SEALING- TOP & BOTTOM



4 LÜ KANAT ORTA BİRLEŞİM MONTAJI ASSEMBLY FOR 4 SASH MIDDLE SECTION

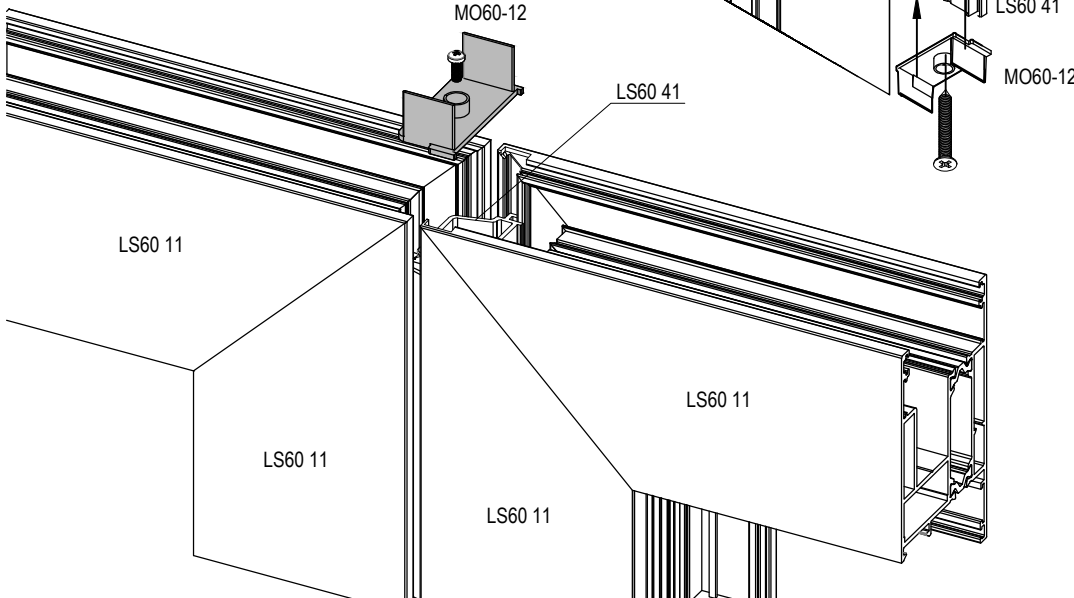
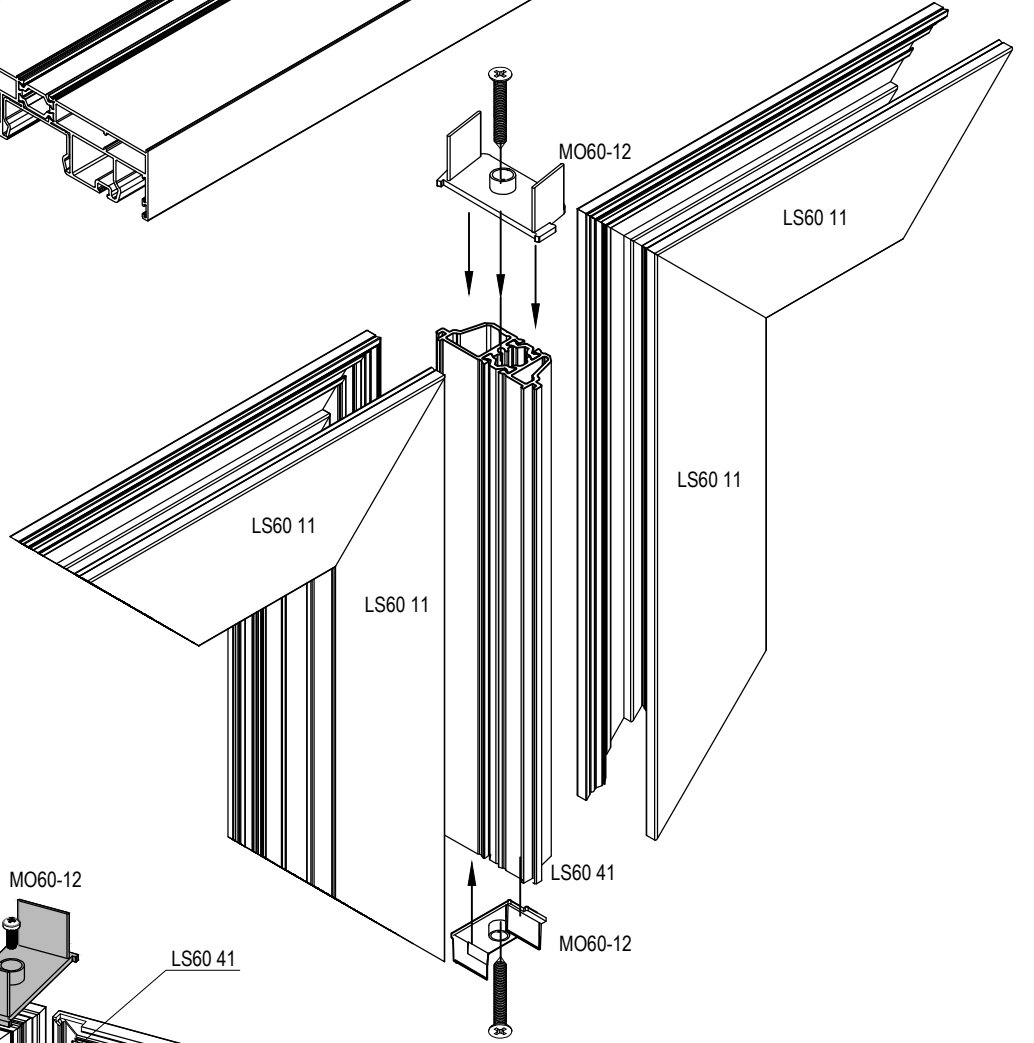
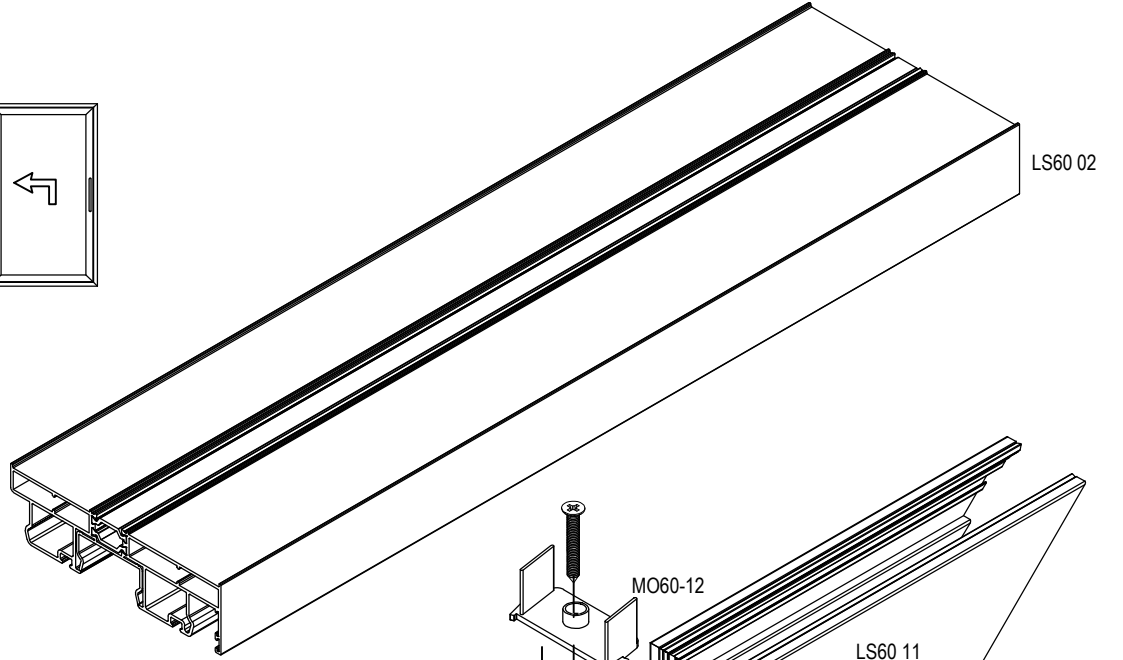
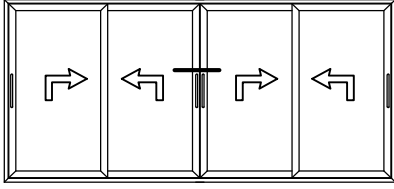


LS60

YALITIMLI KALDIR-SÜR SİSTEM
THERMAL LIFT&SLIDE SYSTEM

ASISTAL

4 LÜ KANAT ORTA BİRLEŞİM MONTAJI ASSEMBLY FOR 4 SASH MIDDLE SECTION

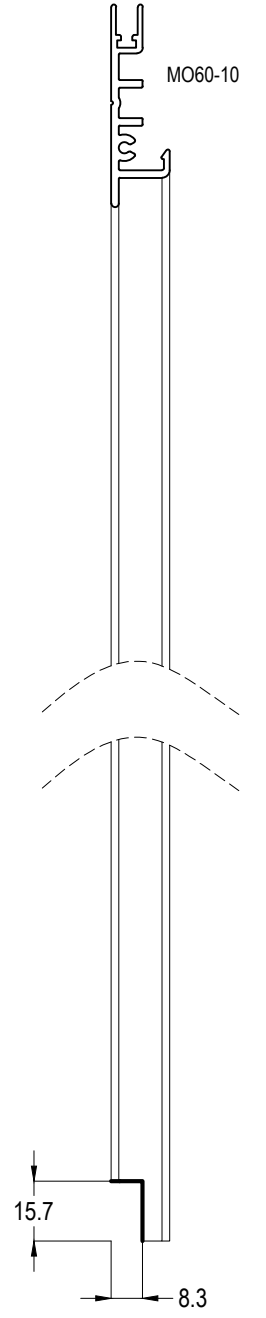
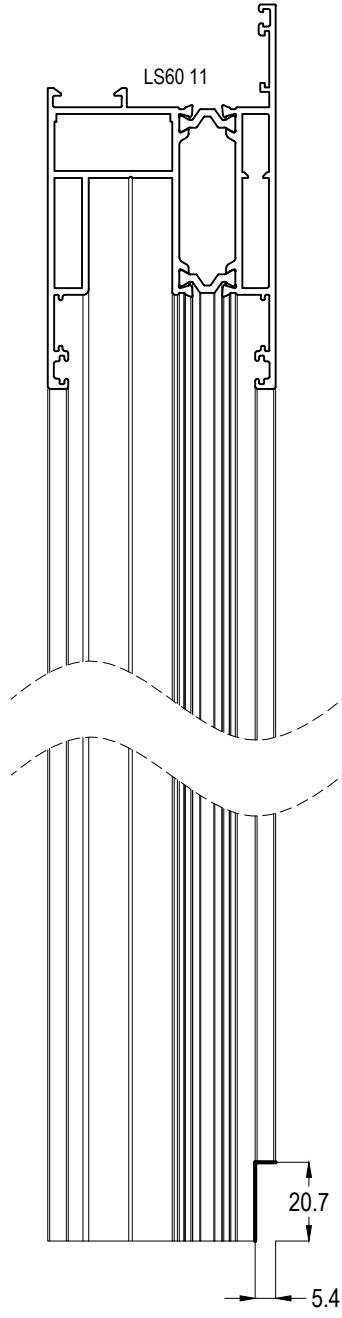
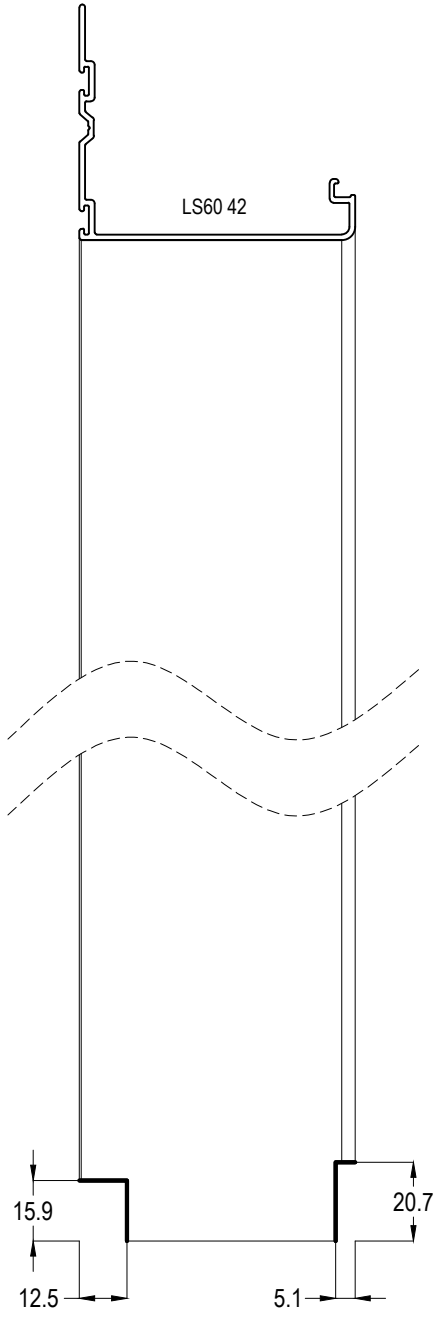
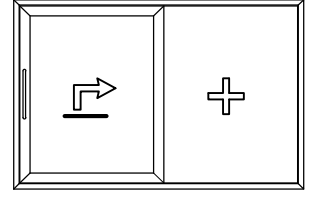


LS60

YALITIMLI KALDIR-SÜR SİSTEM
THERMAL LIFT&SLIDE SYSTEM



SABİTLİ KASADA ORTA KANAT BİRLEŞİM MONTAJI
ASSEMBLY FOR SASH FIXING MEETING STILE

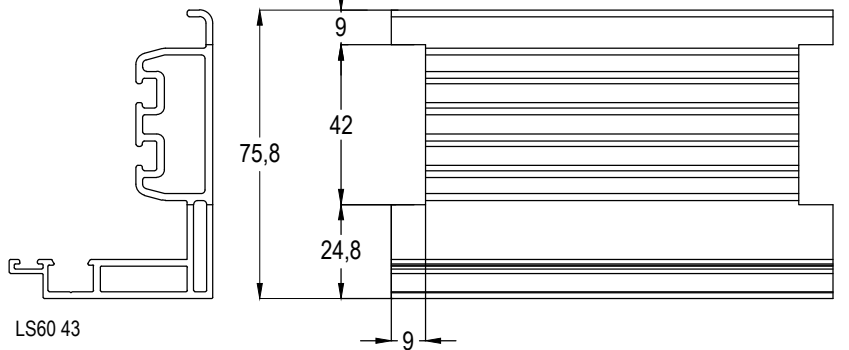
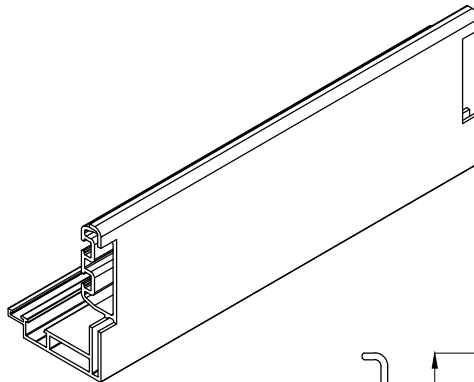
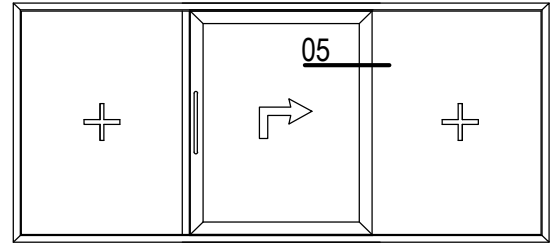
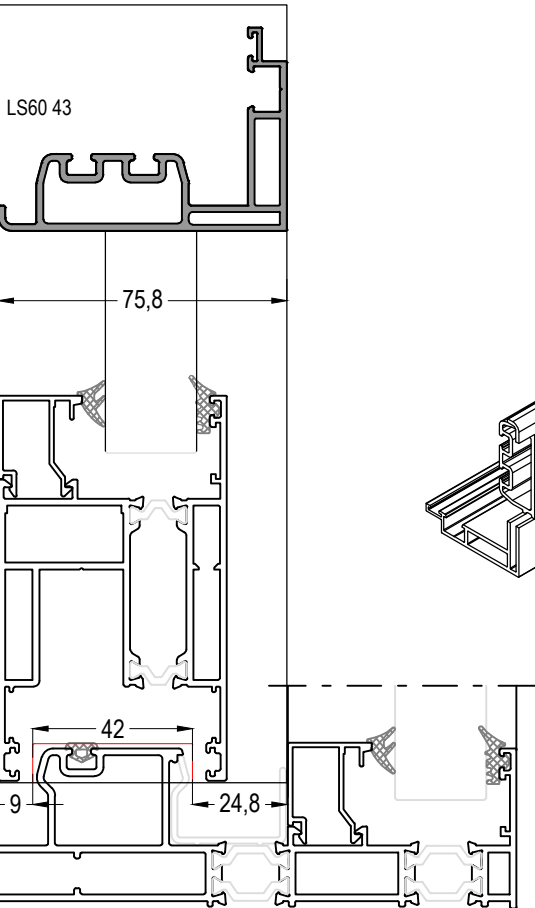
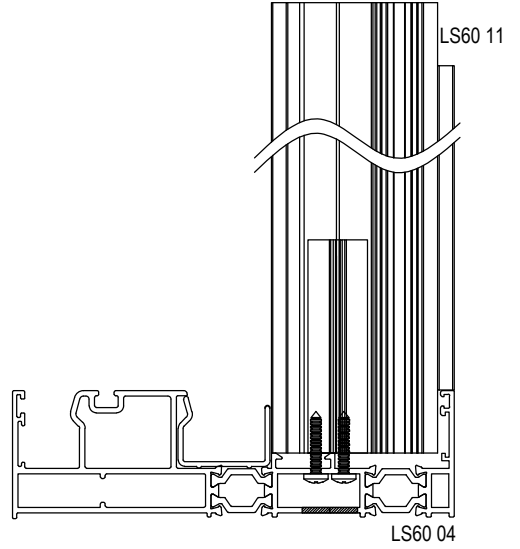
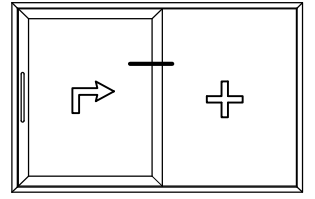
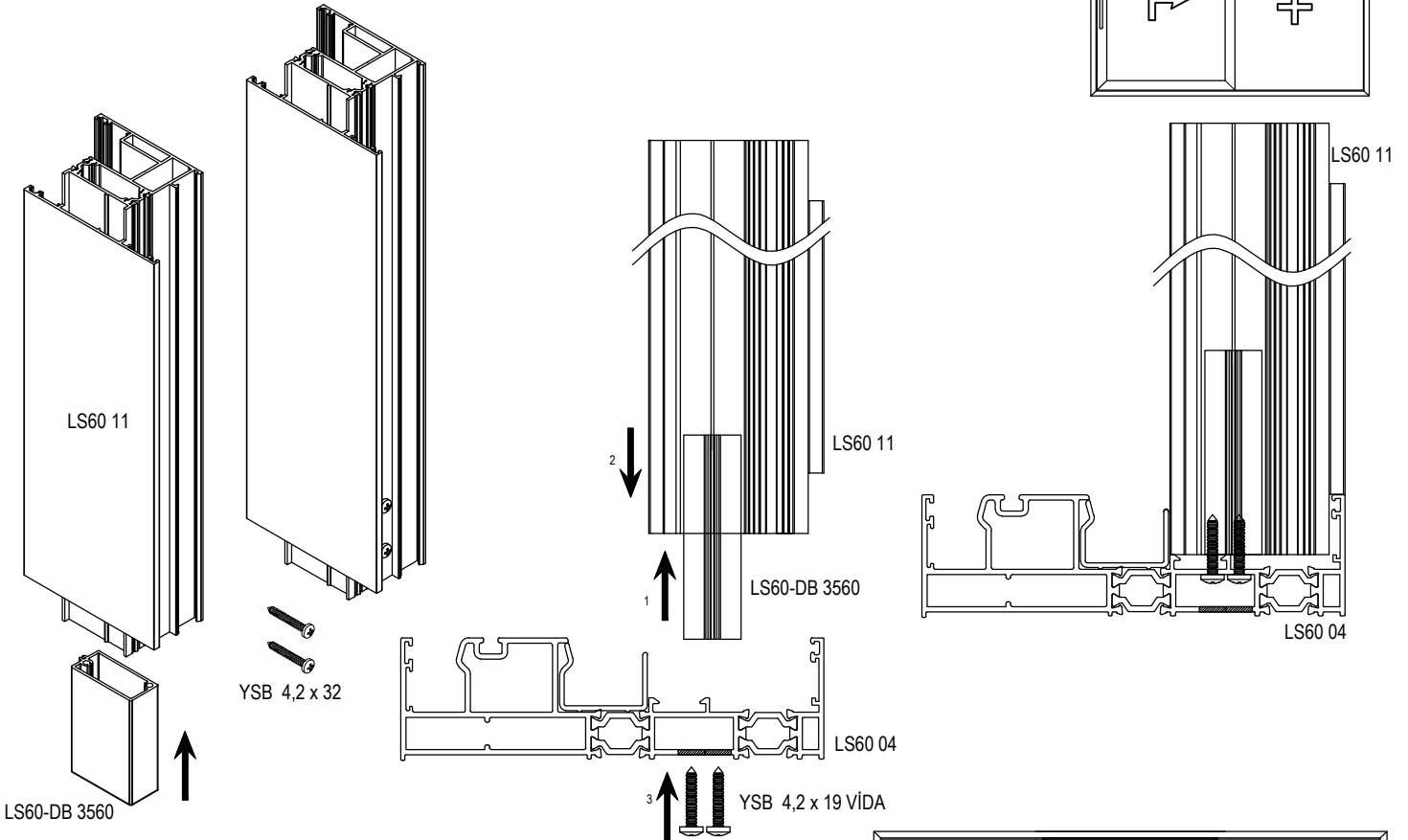


LS60

YALITIMLI KALDIR-SÜR SİSTEM
THERMAL LIFT&SLIDE SYSTEM



SABİTLİ KASADA ORTA KANAT BİRLEŞİM MONTAJI _ LS60-04 ASSEMBLY FOR SASH FIXING MEETING STILE ON THE MONORAIL FRAME

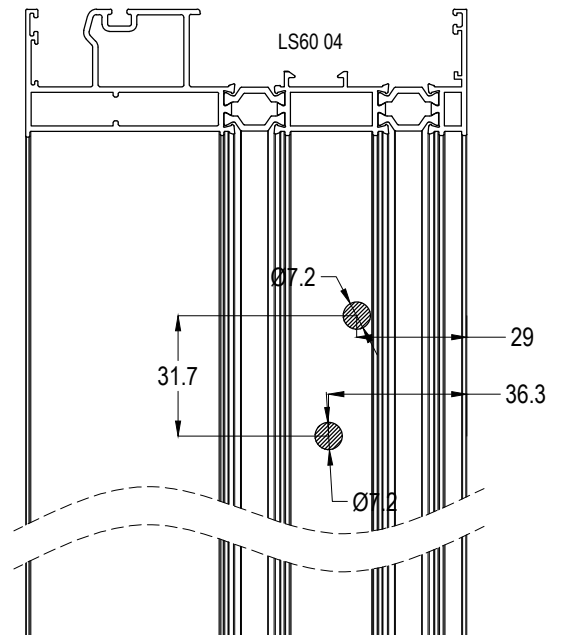
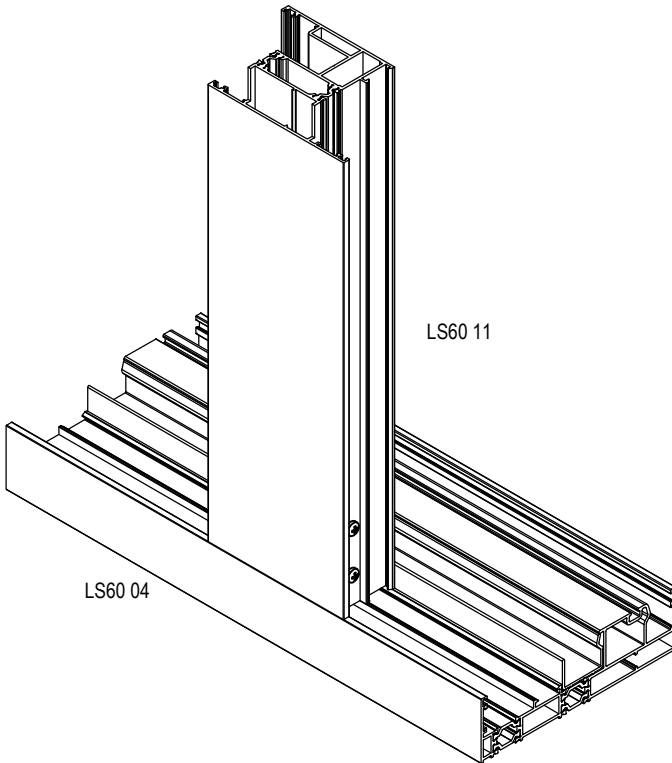
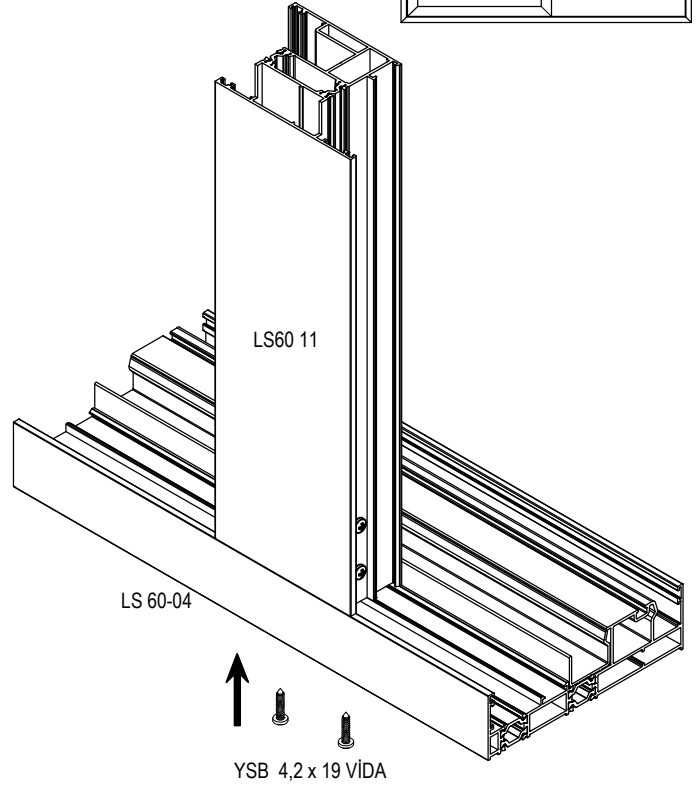
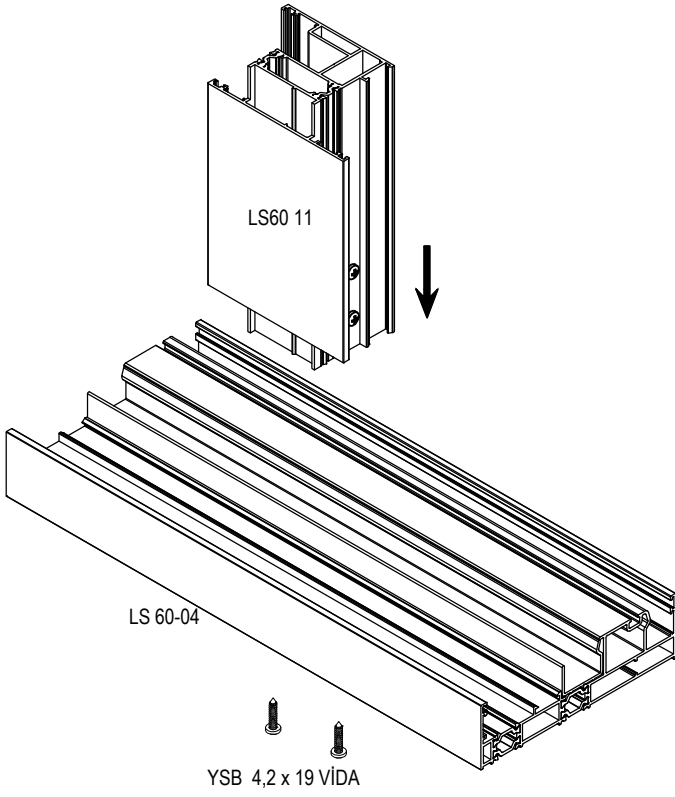
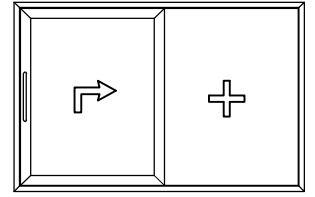


LS60

YALITIMLI KALDIR-SÜR SİSTEM
THERMAL LIFT&SLIDE SYSTEM



SABİTLİ KASADA ORTA KANAT BİRLEŞİM MONTAJI _ LS60-04 ASSEMBLY FOR SASH FIXING MEETING STILE ON THE MONORAIL FRAME

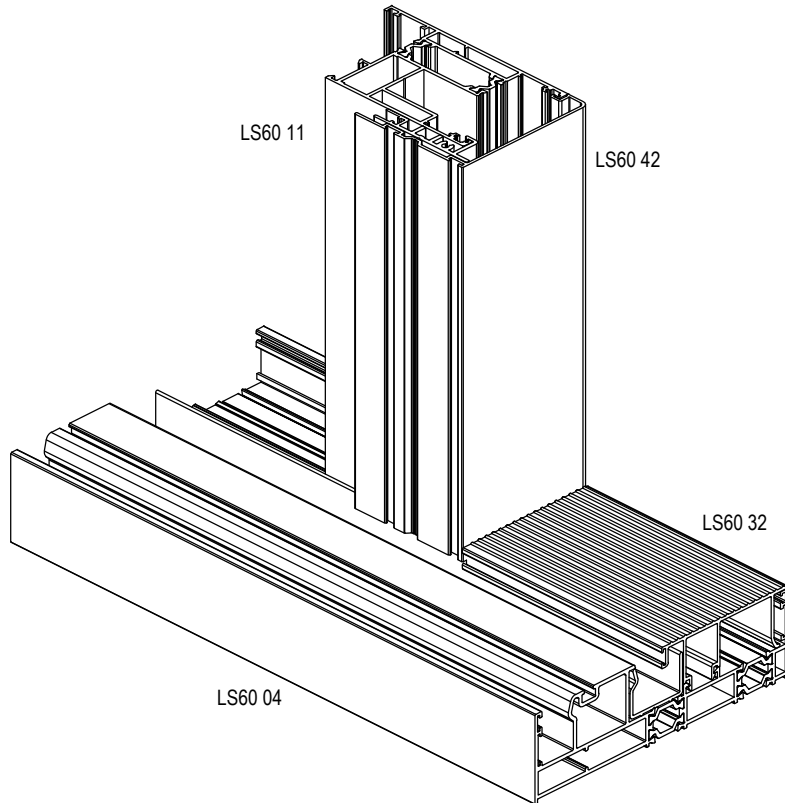
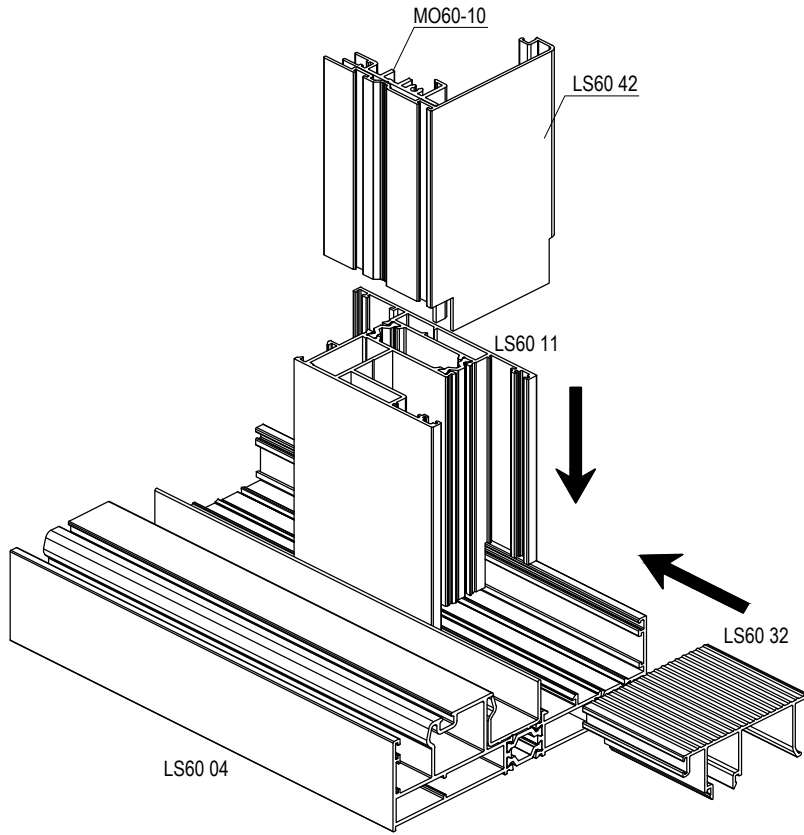
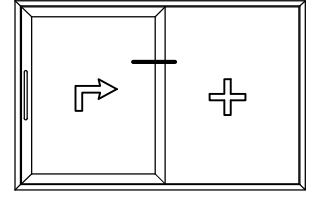


LS60

YALITIMLI KALDIR-SÜR SİSTEM
THERMAL LIFT&SLIDE SYSTEM

ASISTAL

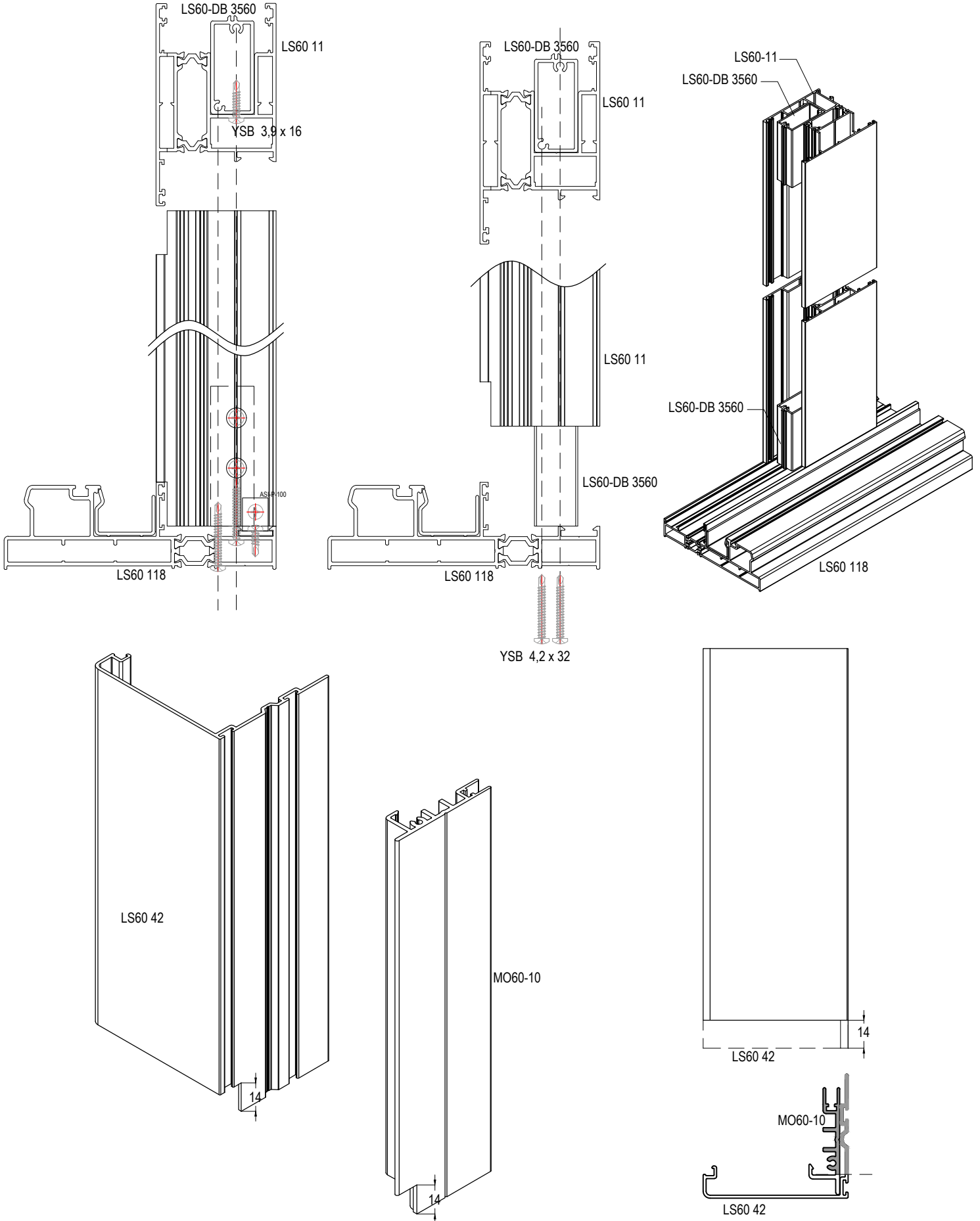
SABİTLİ KASADA ORTA KANAT BİRLEŞİM MONTAJI _ LS60-04 ASSEMBLY FOR SASH FIXING MEETING STILE ON THE MONORAIL FRAME





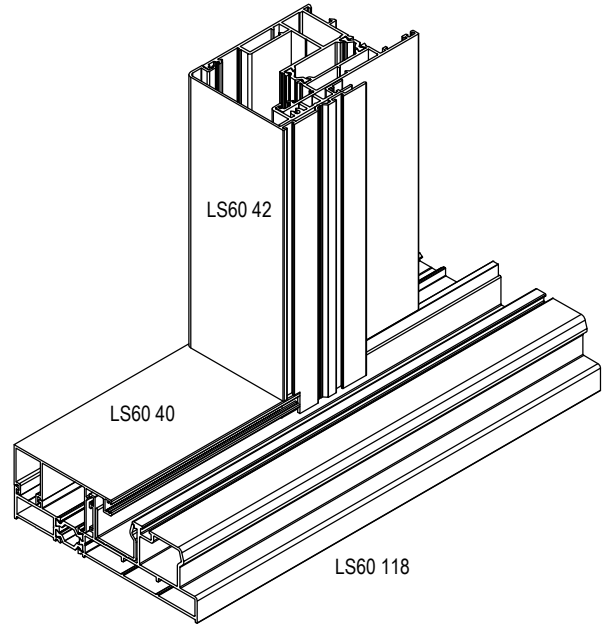
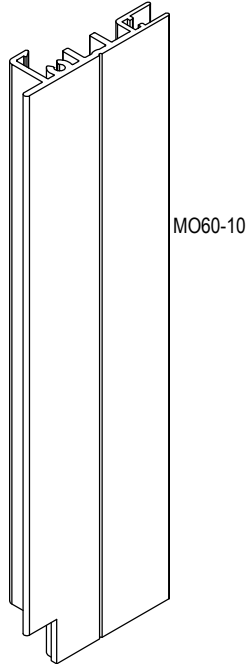
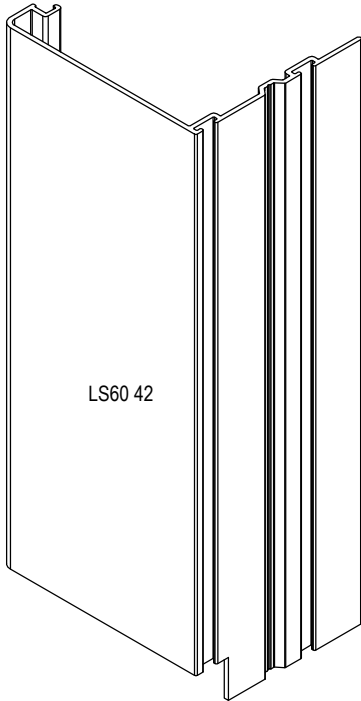
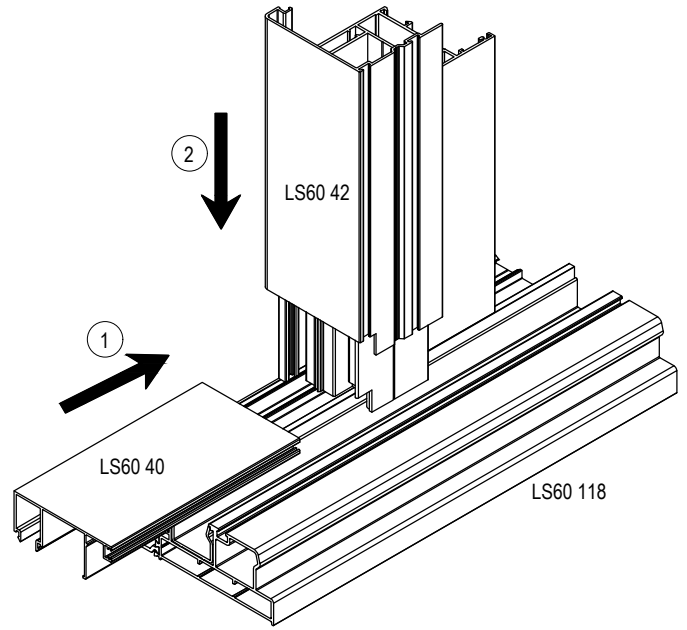
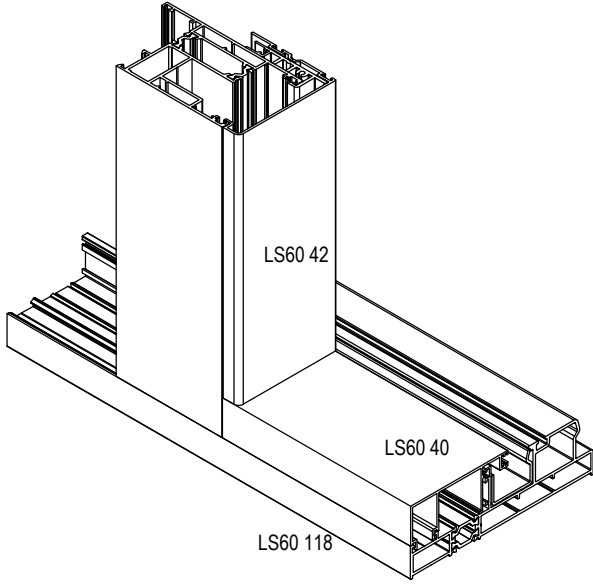
SABİTLİ KASADA ORTA KANAT BİRLEŞİM MONTAJI _ LS60-118

ASSEMBLY FOR SASH FIXING MEETING STILE ON THE MONORAIL FRAME





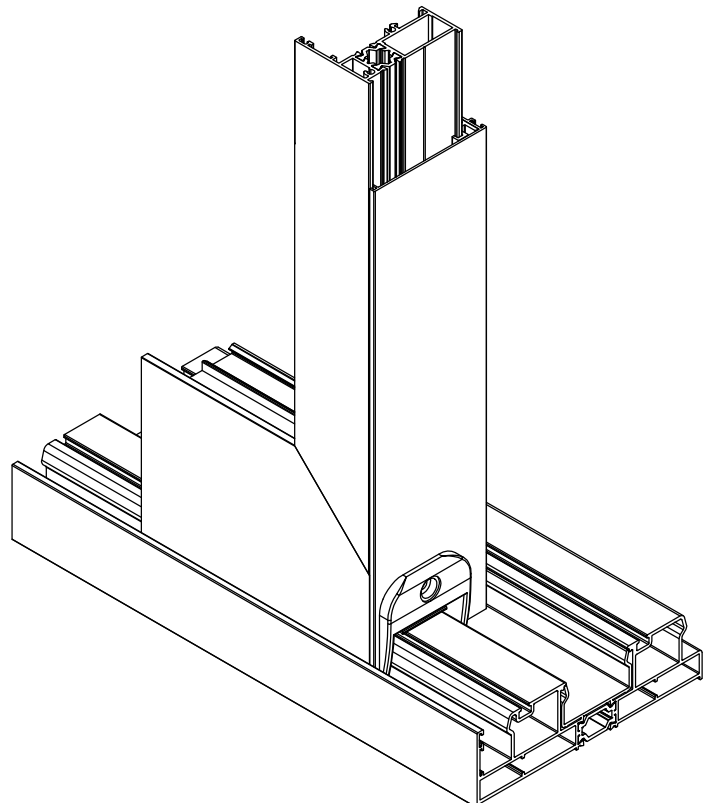
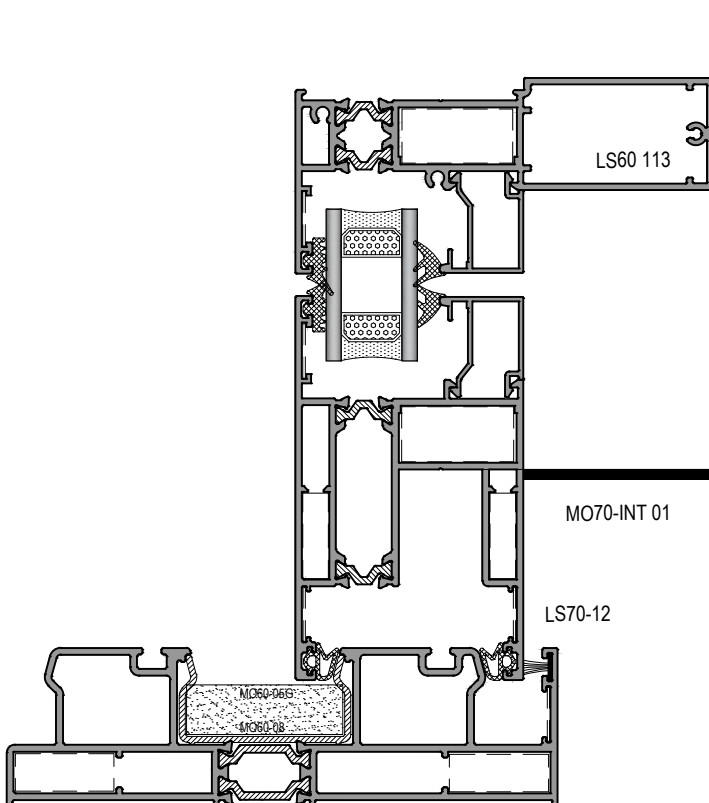
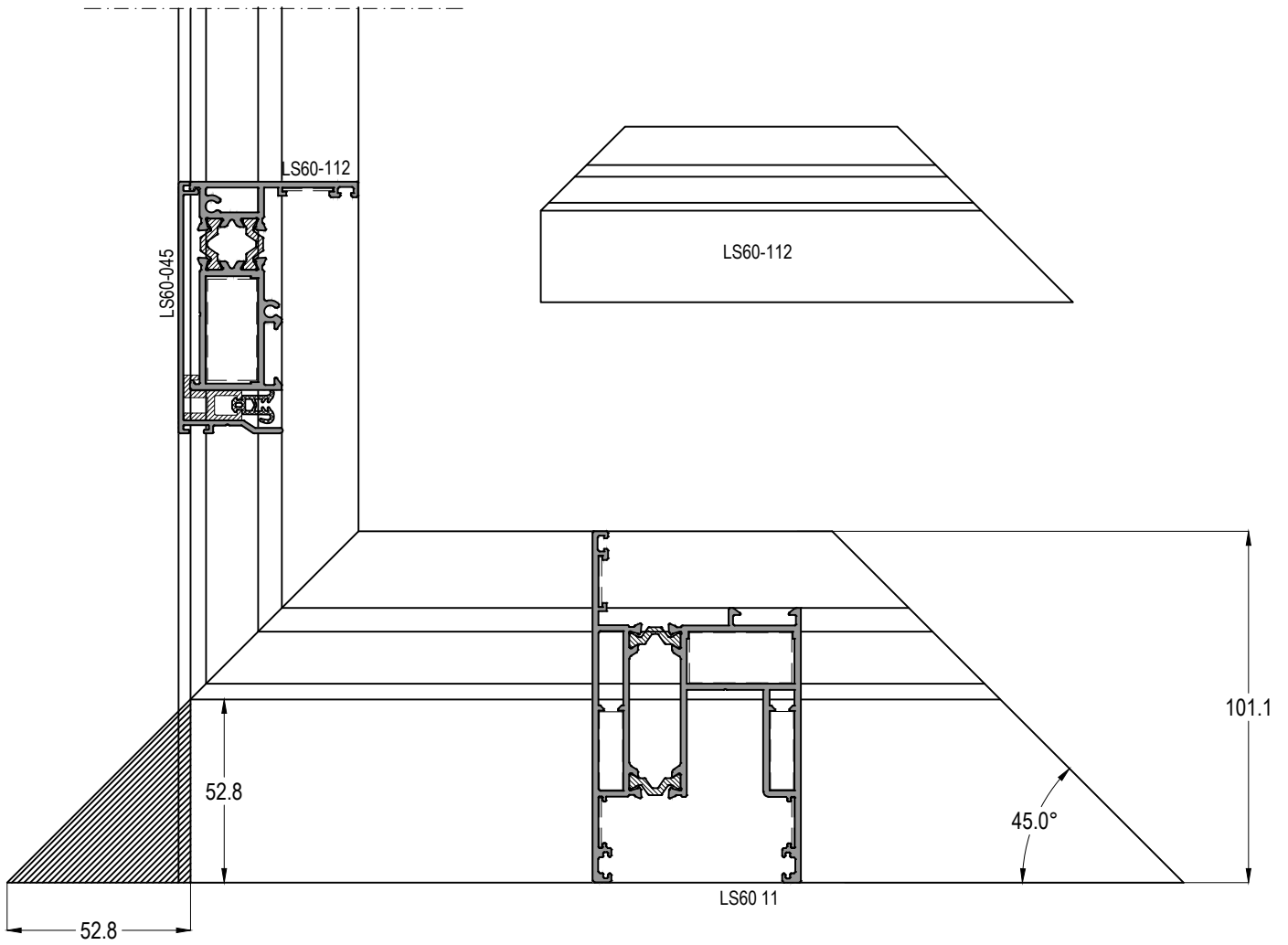
SABİTLİ KASADA ORTA KANAT BİRLEŞİM MONTAJI _ LS60-118 ASSEMBLY FOR SASH FIXING MEETING STILE ON THE MONORAIL FRAME



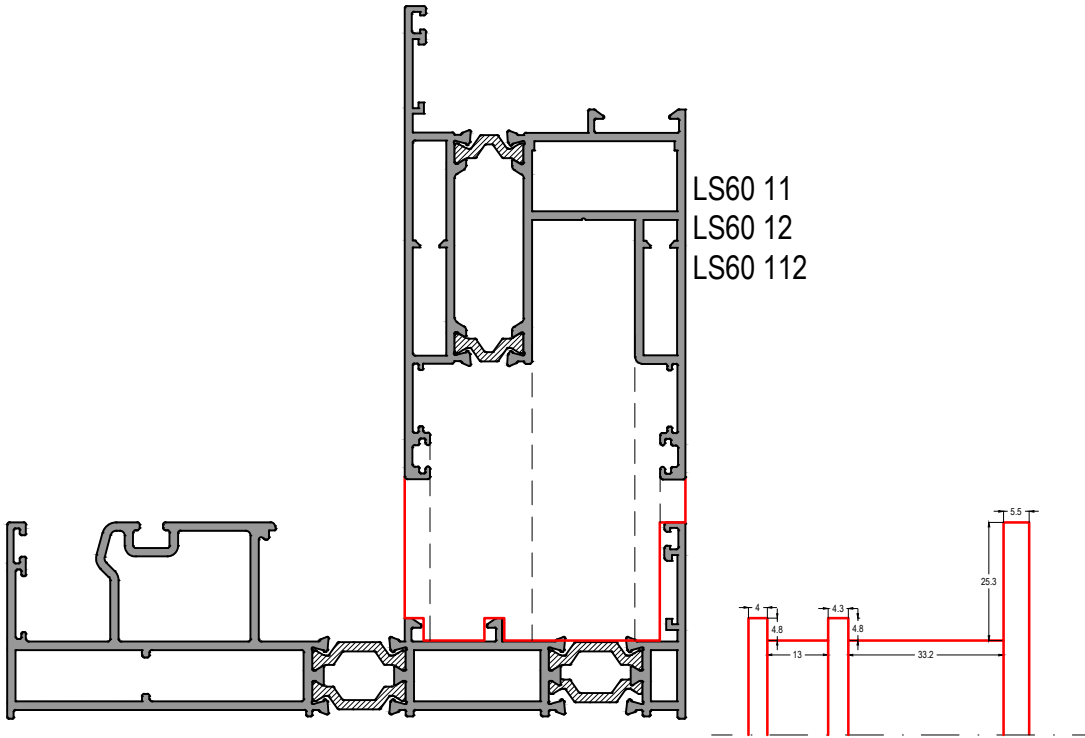
LS60

YALITIMLI KALDIR-SÜR SİSTEM
THERMAL LIFT&SLIDE SYSTEM

ASISTAL

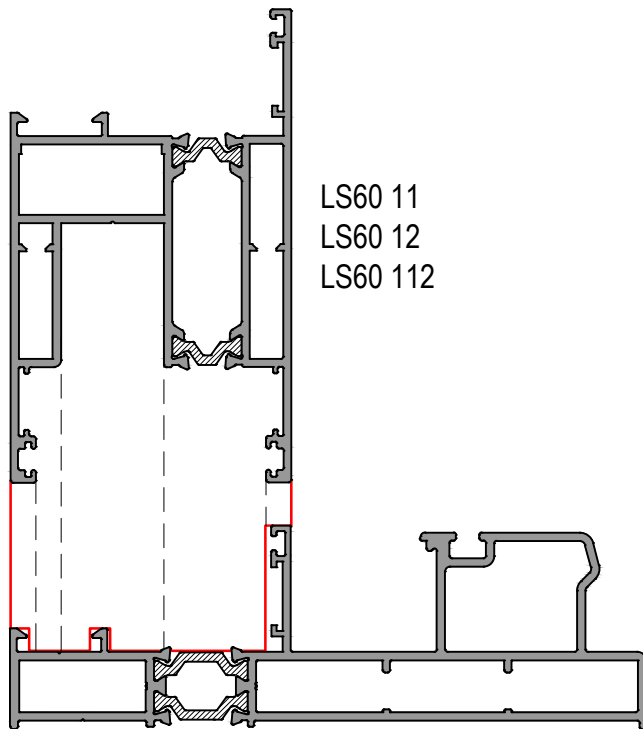


KERTME BIÇAK ÖLÇÜLERİ
NOTCHING KNIFE DETAILS

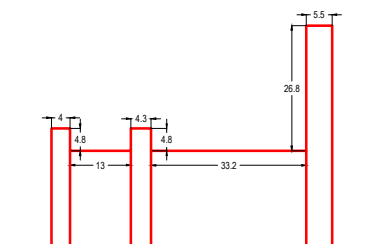
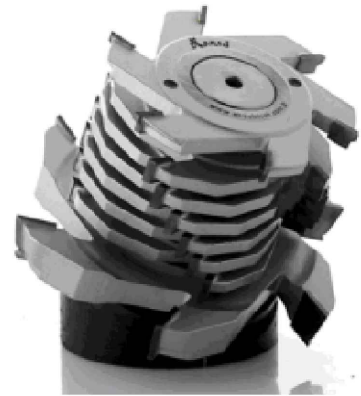


LS60 11
LS60 12
LS60 112

LS60 04
LS60 104



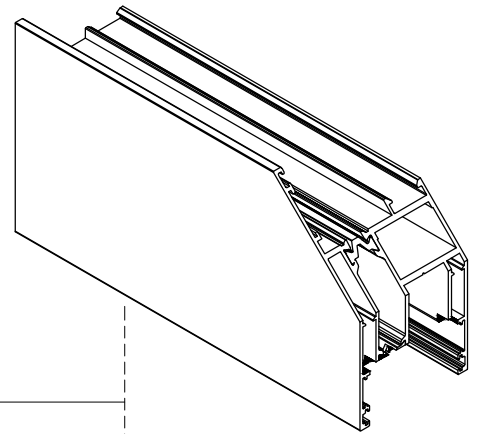
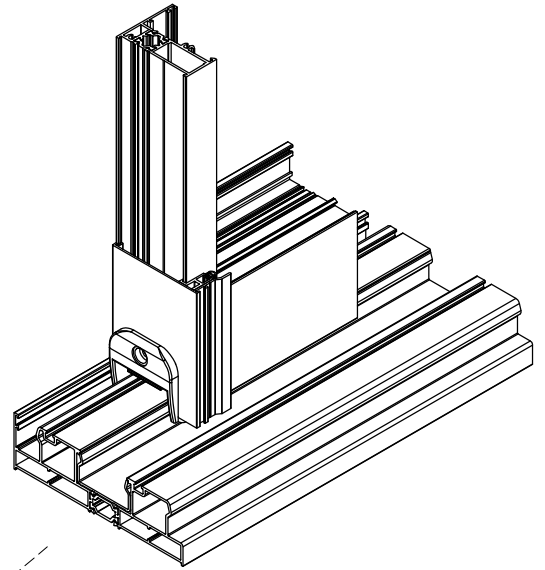
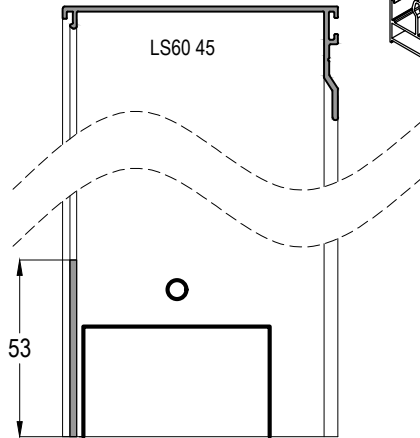
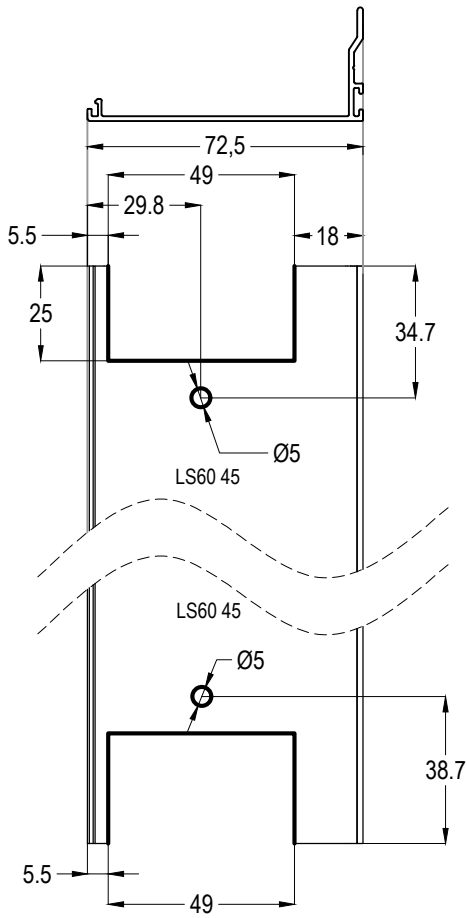
LS60 11
LS60 12
LS60 112



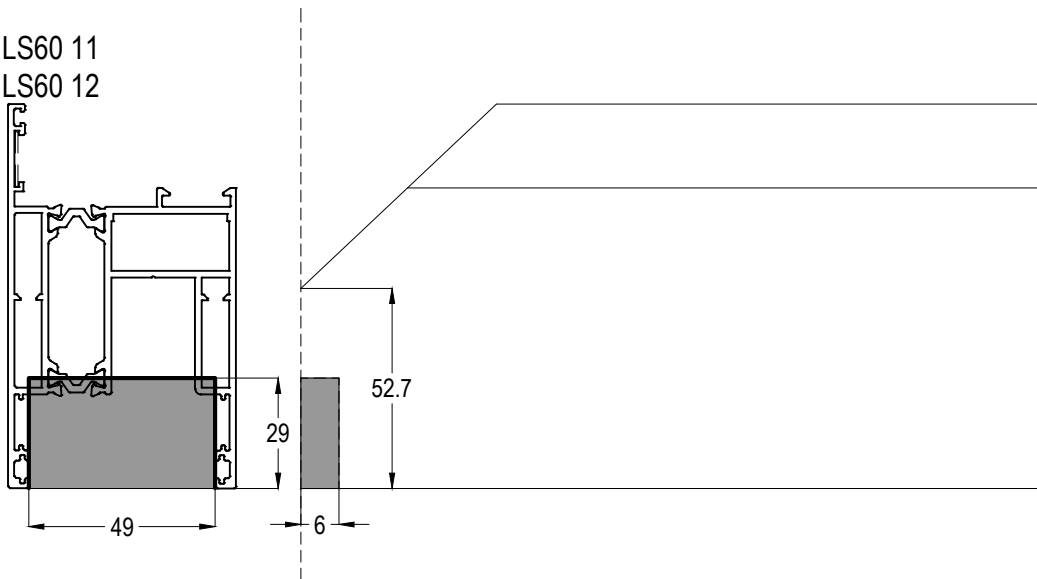
LS60 118
LS60 119

LS60

YALITIMLI KALDIR-SÜR SİSTEM
THERMAL LIFT&SLIDE SYSTEM

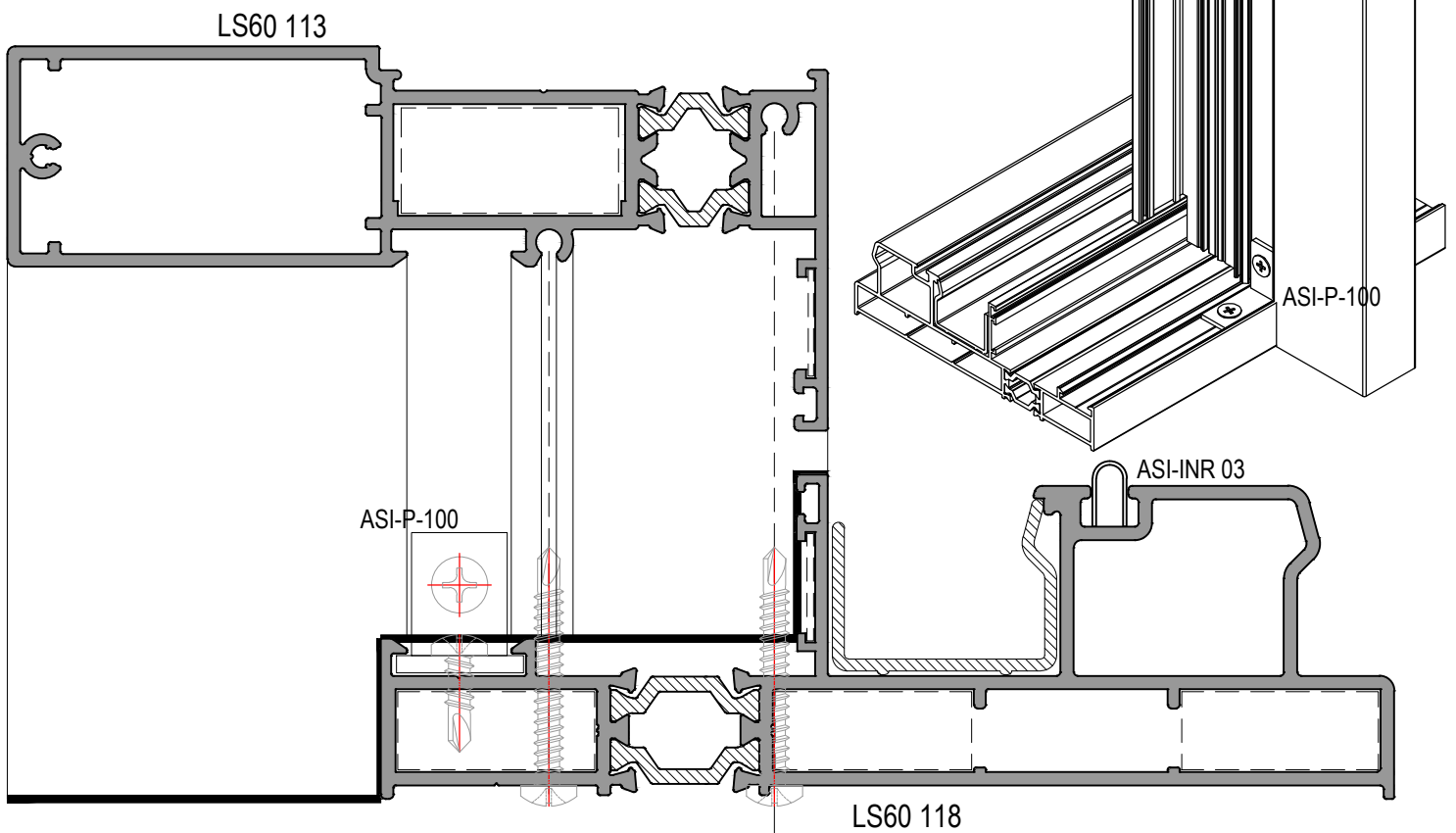
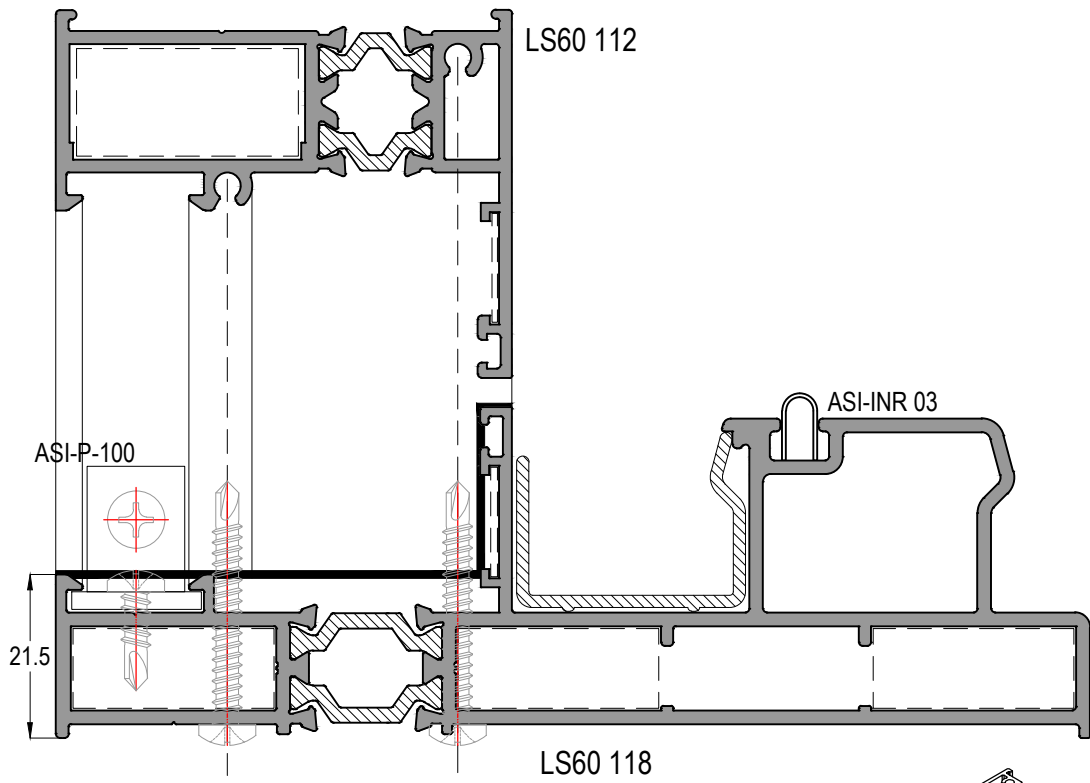


LS60 11
LS60 12



LS60

YALITIMLI KALDIR-SÜR SİSTEM
THERMAL LIFT&SLIDE SYSTEM

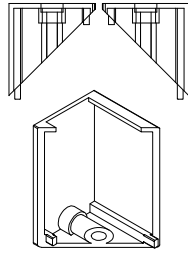


LS60

YALITIMLI KALDIR-SÜR SİSTEM
THERMAL LIFT&SLIDE SYSTEM

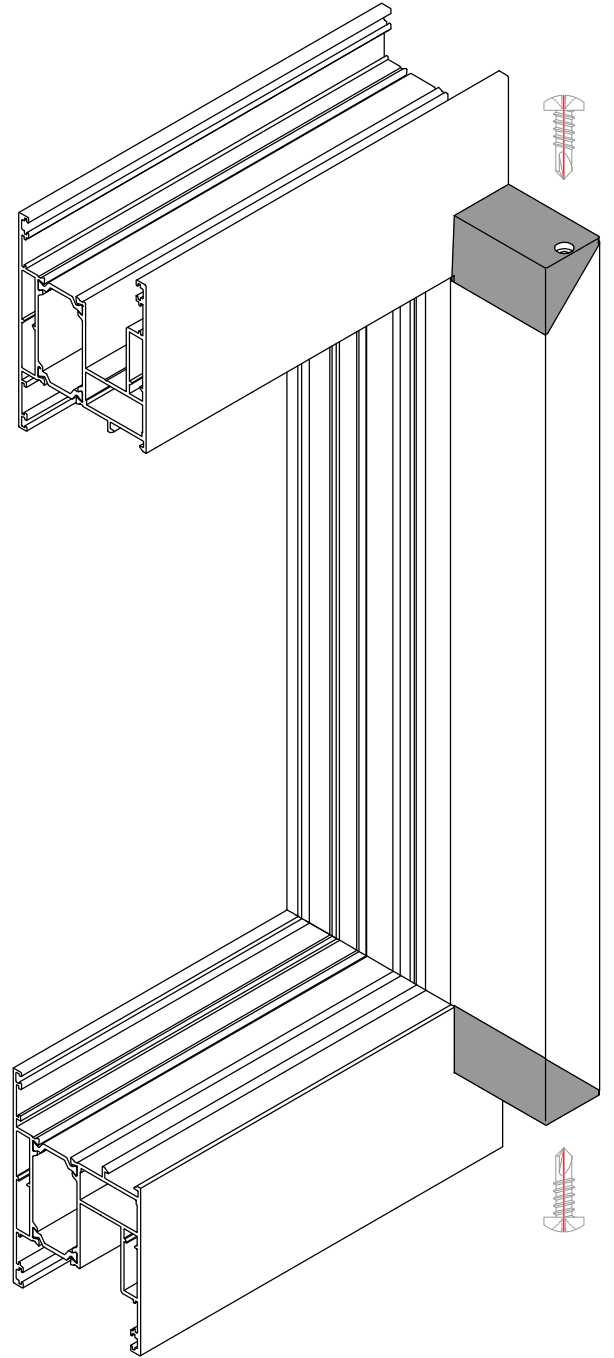
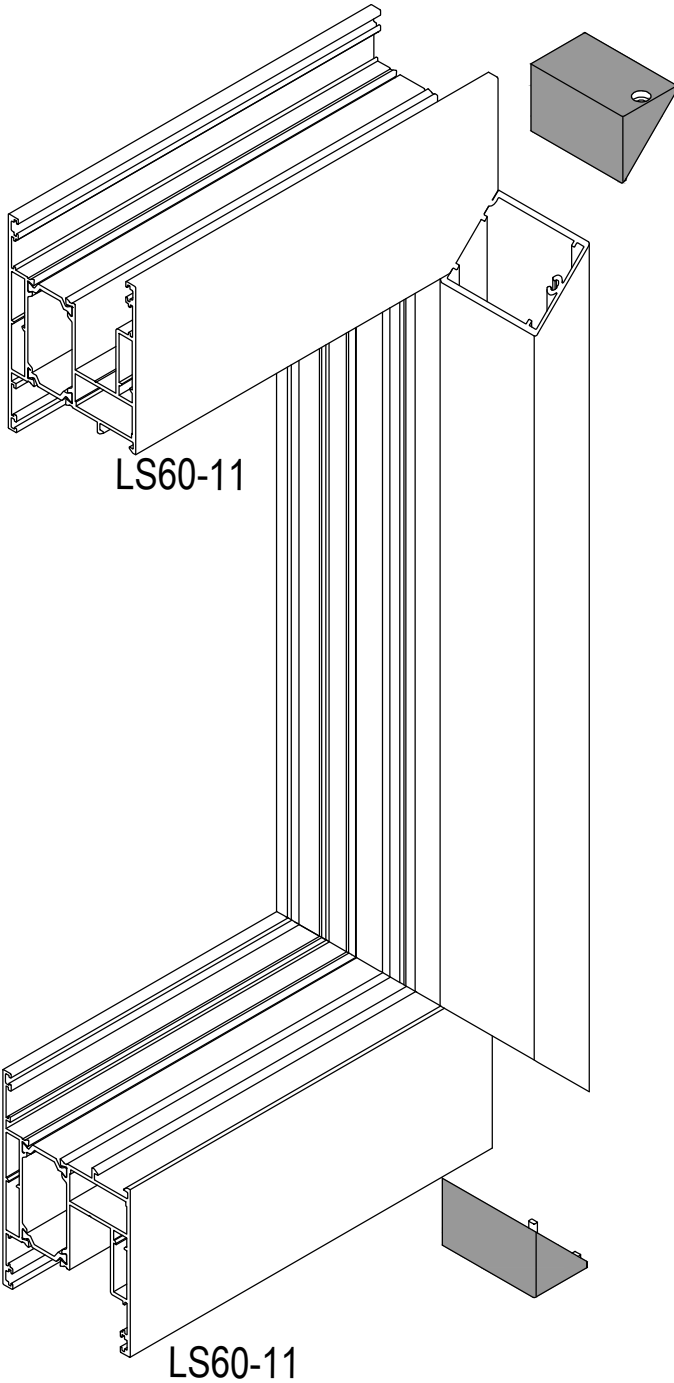
ASISTAL

MO70-INT 01



90°DAR KENET KAPAK
TAKIMI - LS7013

COVER

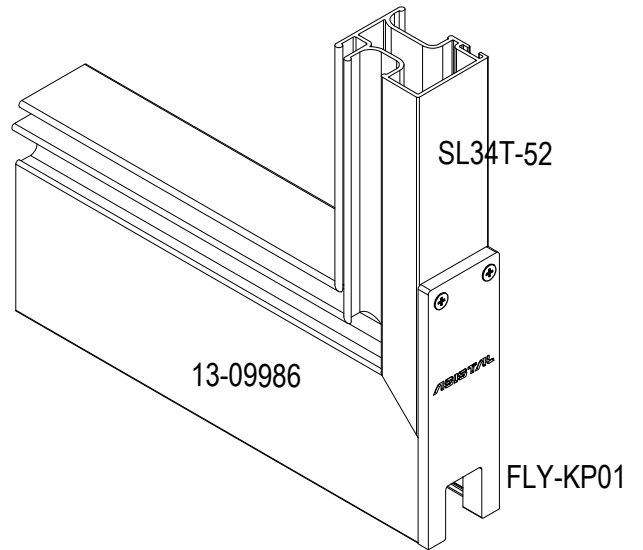
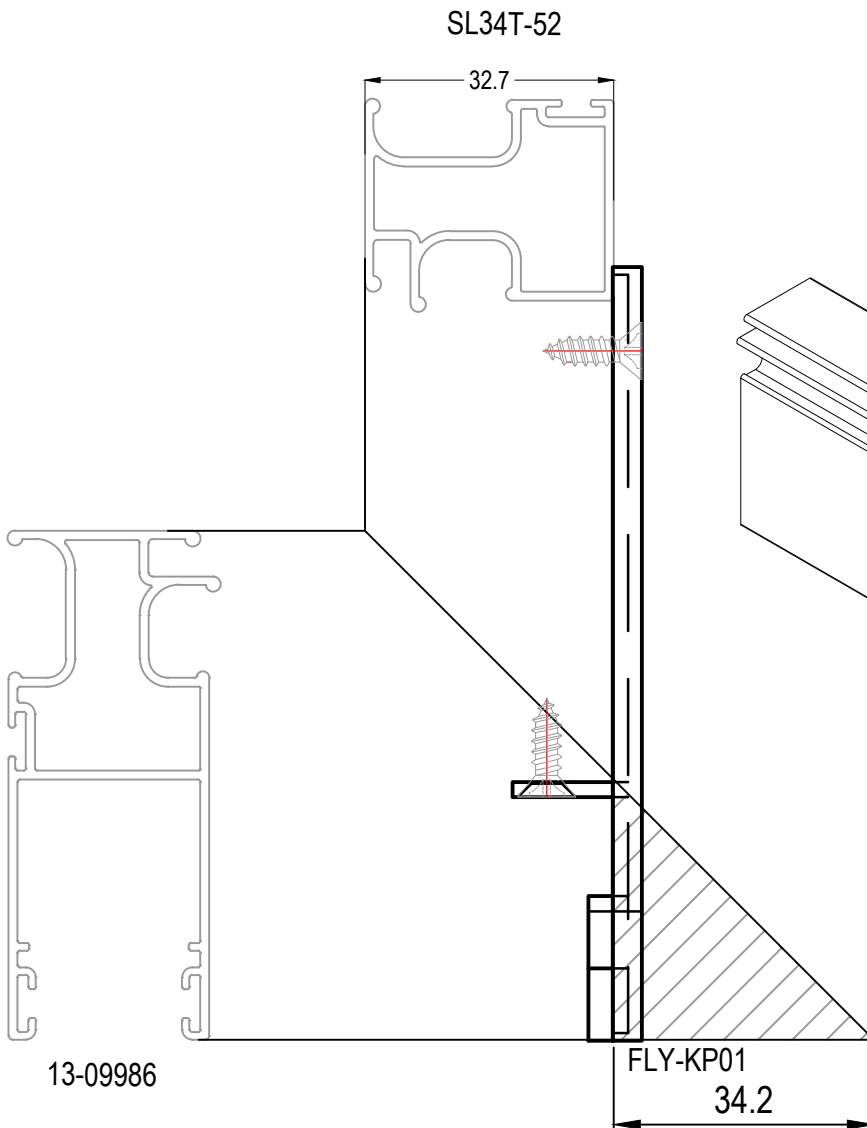
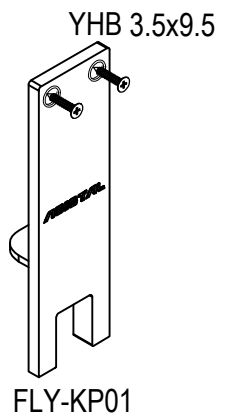
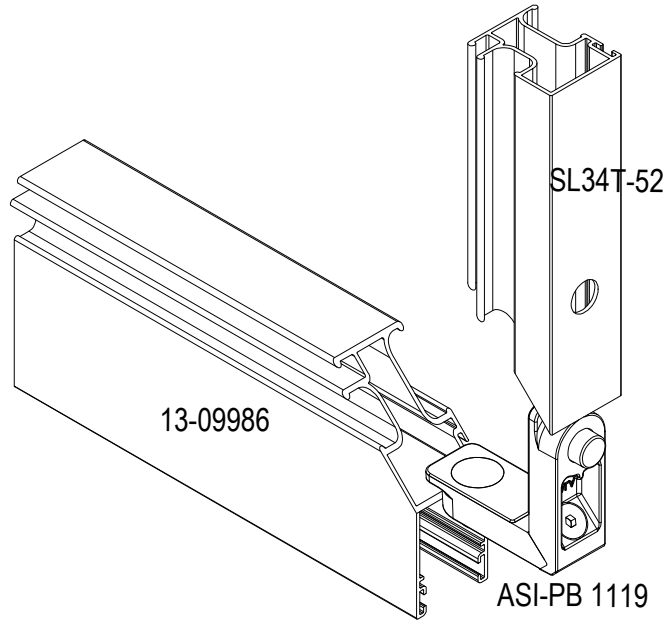
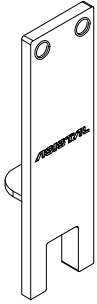


LS60

YALITIMLI KALDIR-SÜR SİSTEM
THERMAL LIFT&SLIDE SYSTEM

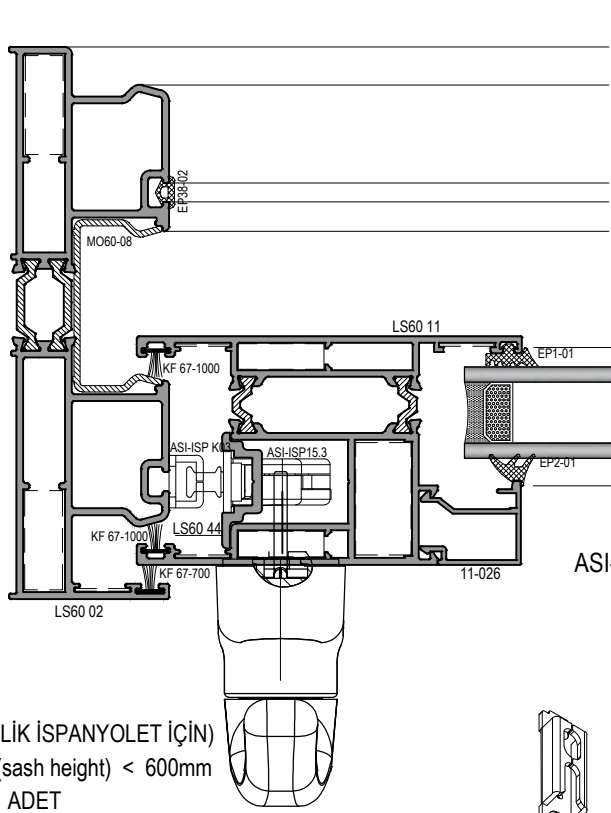


FLY-KP01



İSPANYOLET KİLİTLEME NORMAL SÜRME İÇİN : ASI-ISP 15

MULTI POINT LOCKING FOR NORMAL SLIDING : ASI-ISP 15



ASI-ISP15.0 (400 mm LİK İSPANYOLET İÇİN)
KANAT YÜKSEKLİĞİ (sash height) < 600mm
LS60 44 = 400mm X 1 ADET
ASI-ISP K03 = 2 ADET

ASI-ISP15.1 (600 mm LİK İSPANYOLET İÇİN)
KANAT YÜKSEKLİĞİ (sash height) < 1100mm
LS60 44 = 600mm X 1 ADET
ASI-ISP K03 = 2 ADET

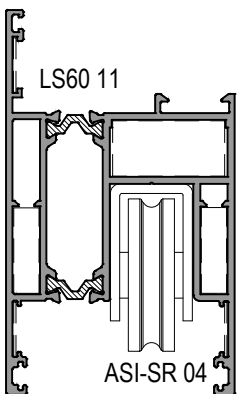
ASI-ISP15.2 (1000mm LİK İSPANYOLET İÇİN)
1900mm < KANAT YÜKSEKLİĞİ (sash height) > 1100mm
LS60 44 = 1000mm X 1 ADET
ASI-ISP K03 = 2 ADET

ASI-ISP15.3 (1800mm LİK İSPANYOLET İÇİN)
KANAT YÜKSEKLİĞİ (sash height) > 1900mm
LS60 44 = 1800mm X 1 ADET
ASI-ISP K03 = 3 ADET

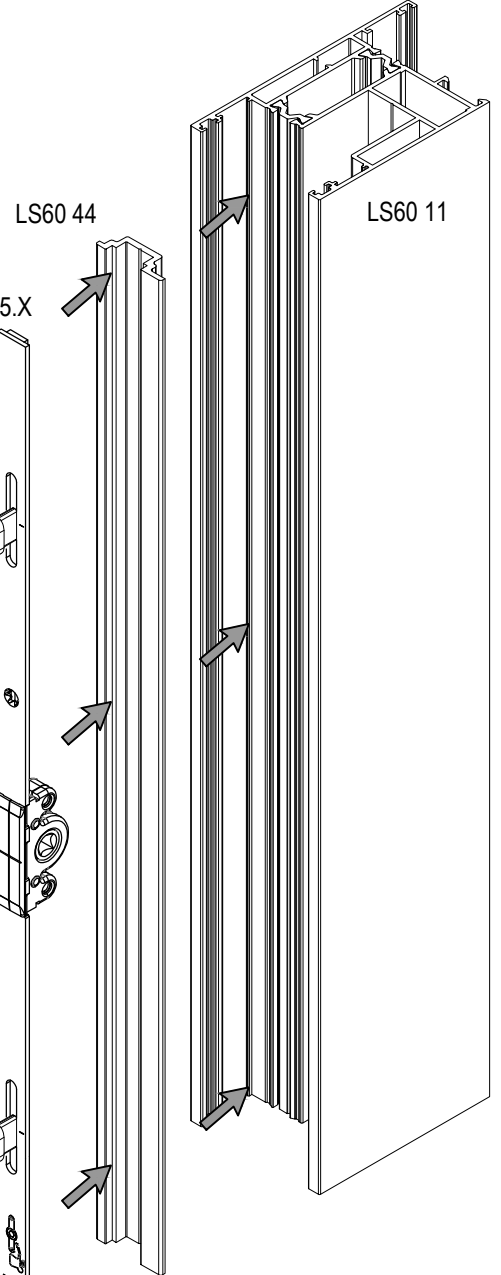
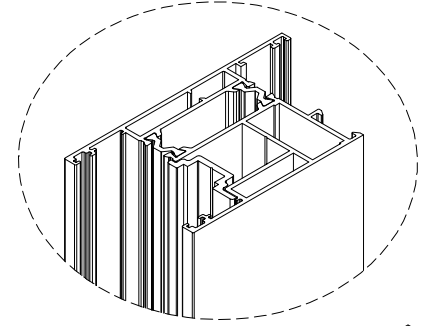
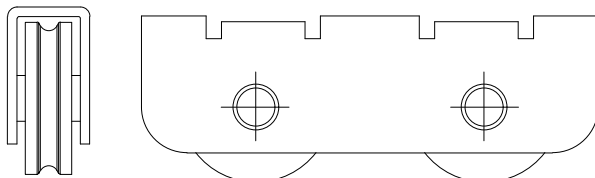
ASI-ISP K03

ASI-WH 002

ASI-ISP K03

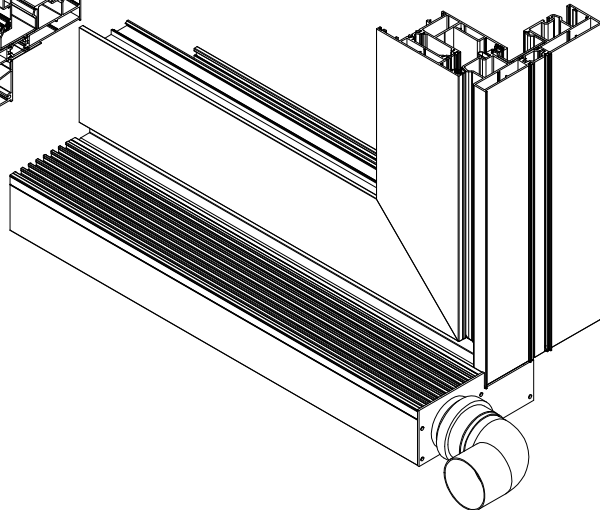
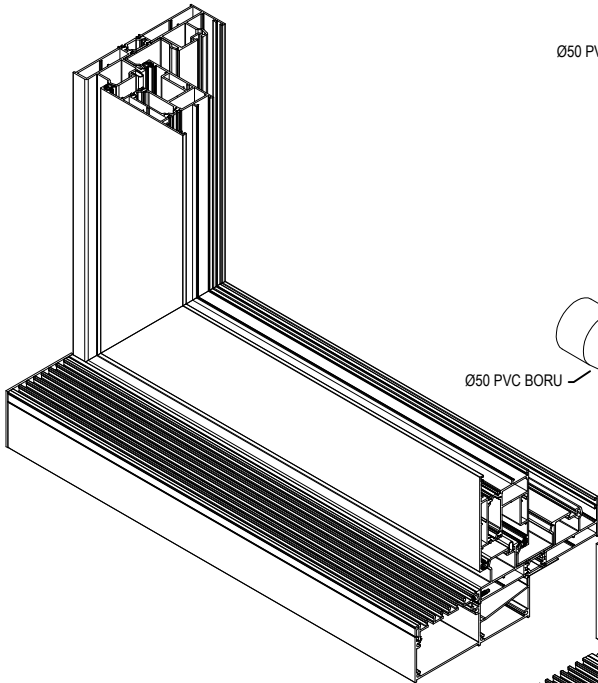
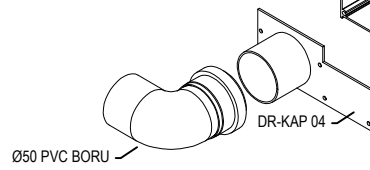
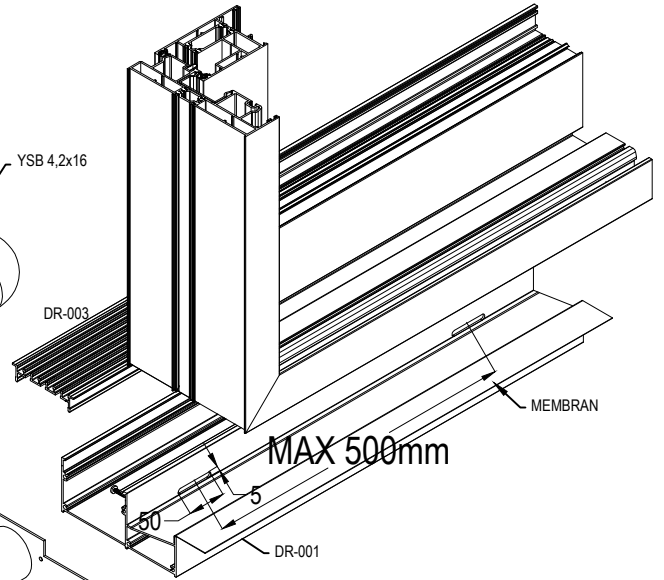
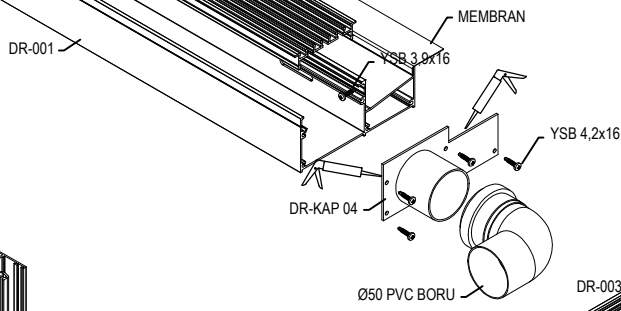
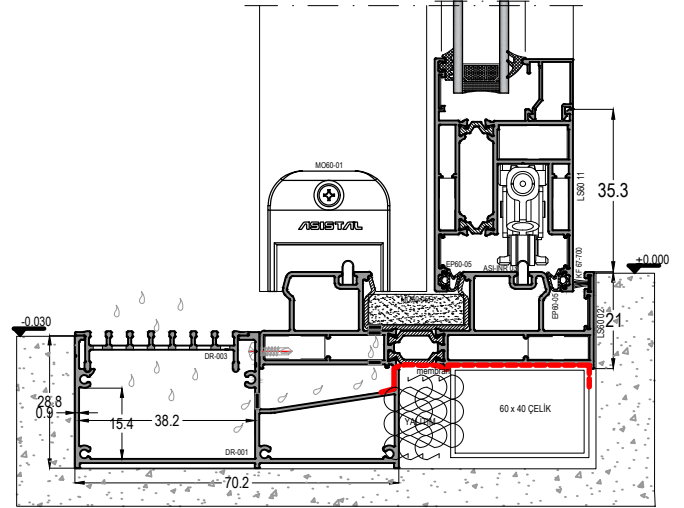
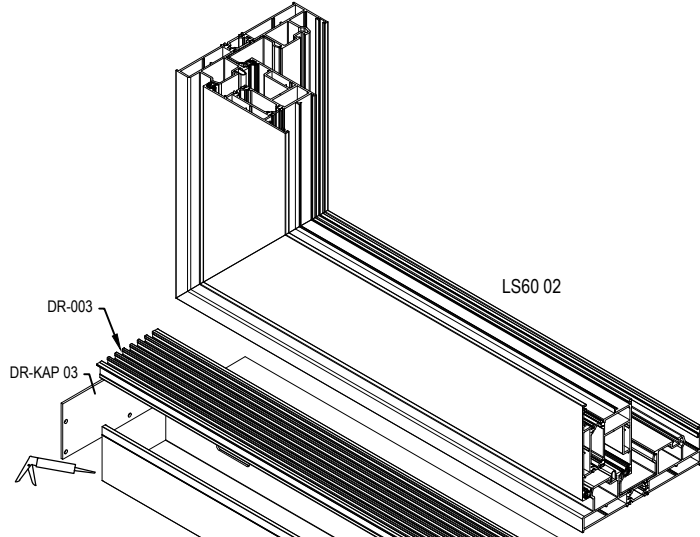


ASI-SR 04
150KG/RULMAN
KANAT TAŞIMA KAPASİTESİ=300kg
SASH CARRY CAPACITY = 300kg



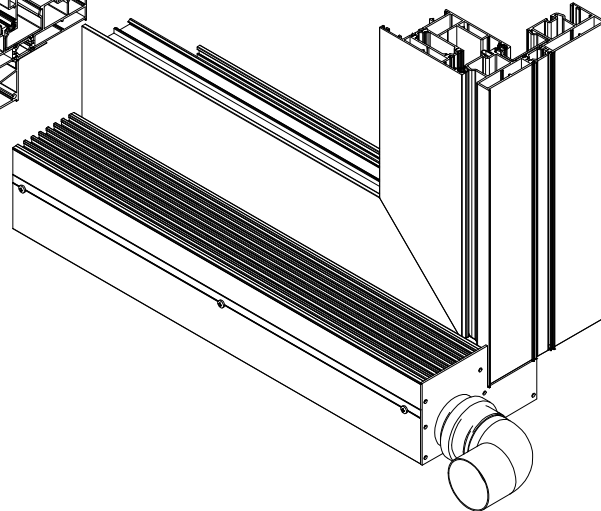
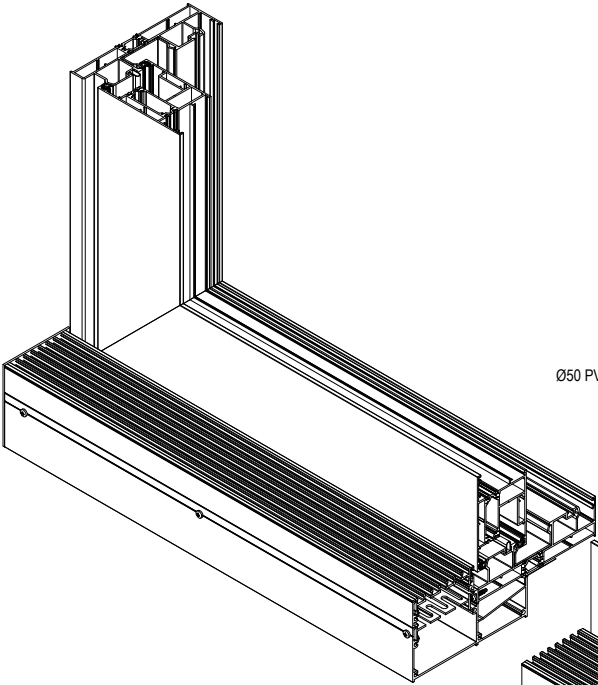
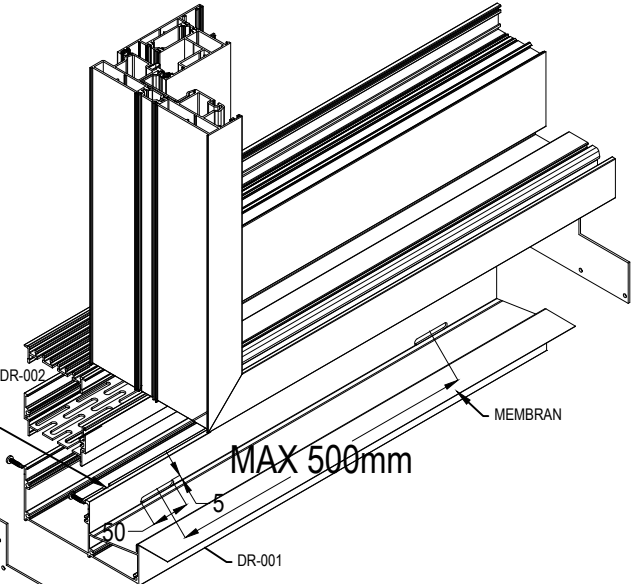
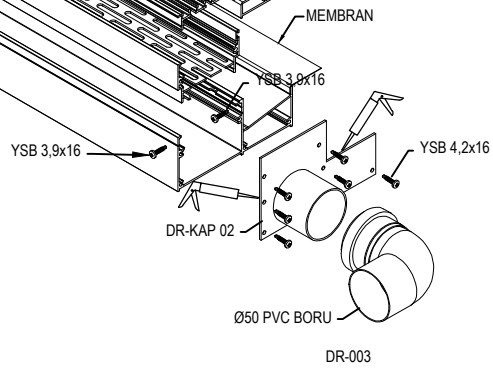
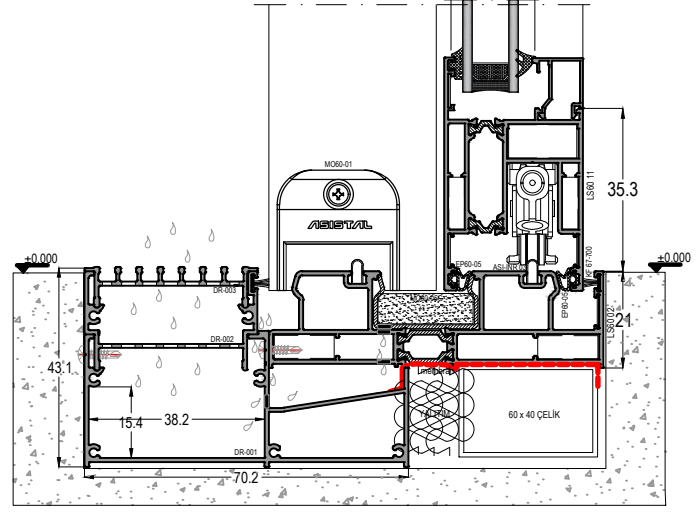
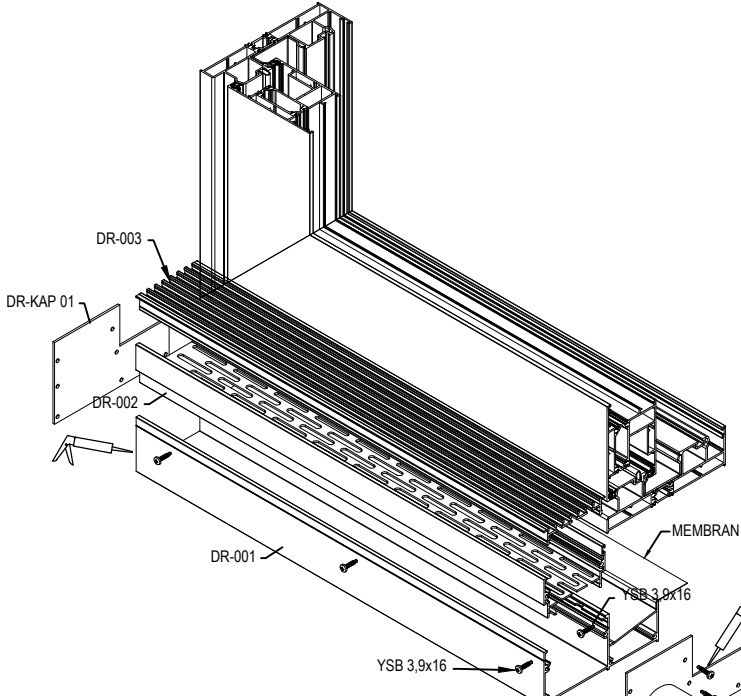
LS60

YALITIMLI KALDIR-SÜR SİSTEMİ
THERMAL LIFT&SLIDE SYSTEM



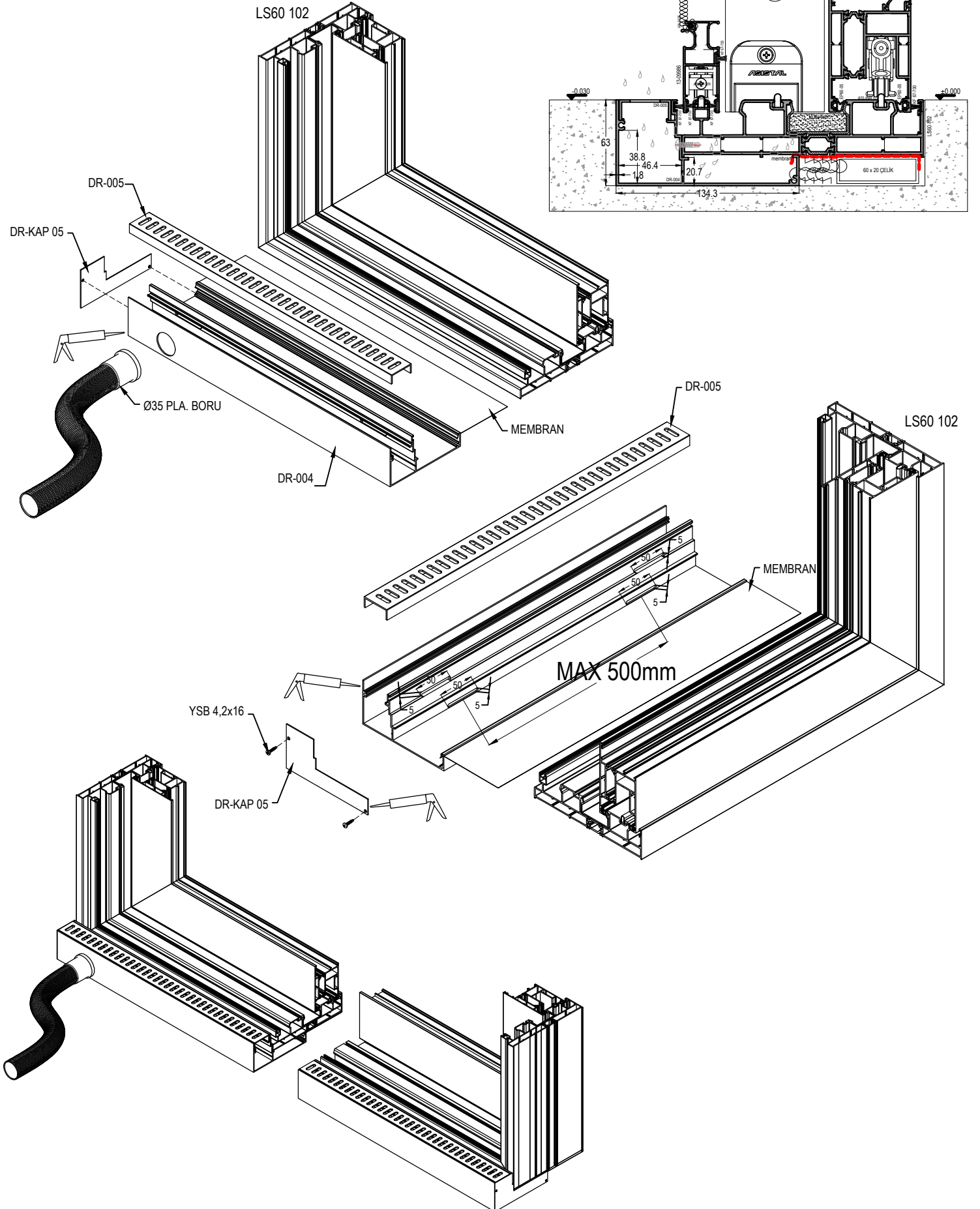
LS60

YALITIMLI KALDIR-SÜR SİSTEMİ
THERMAL LIFT&SLIDE SYSTEM

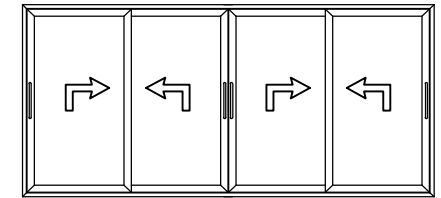
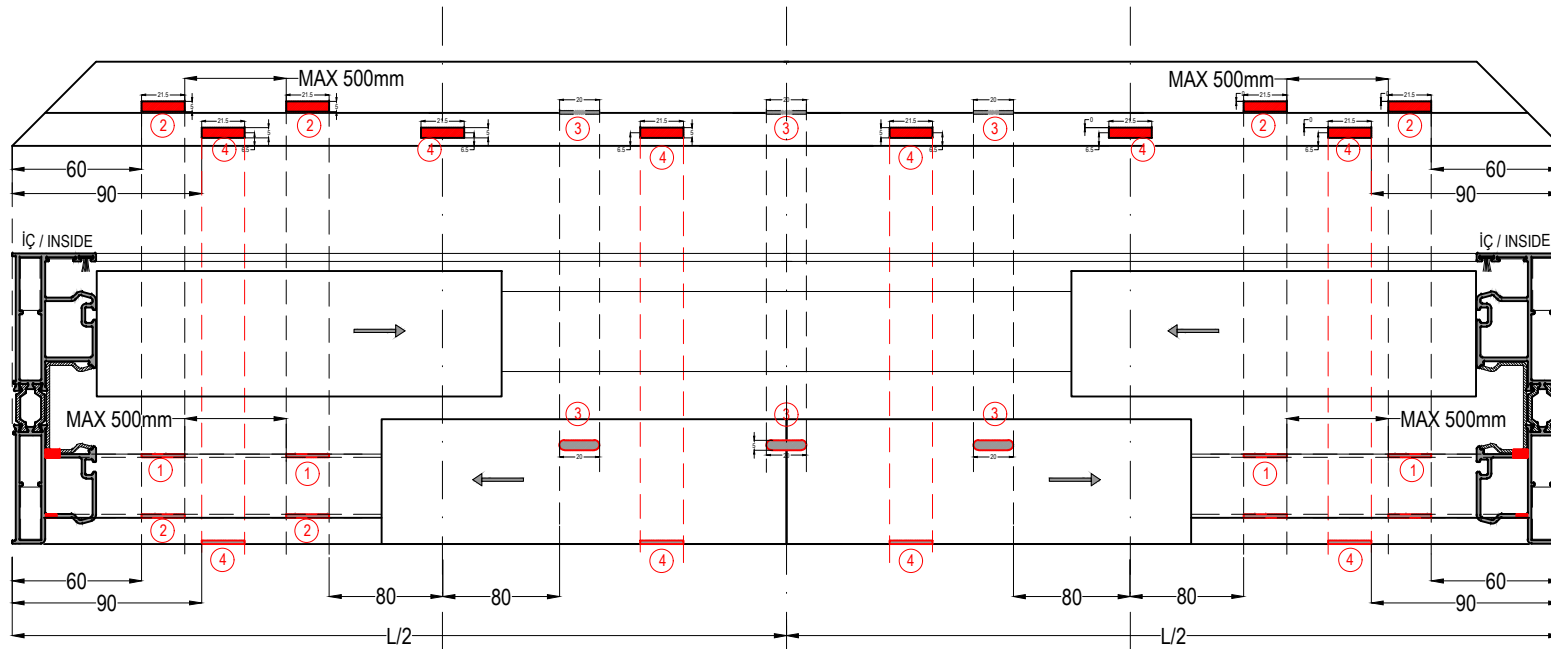
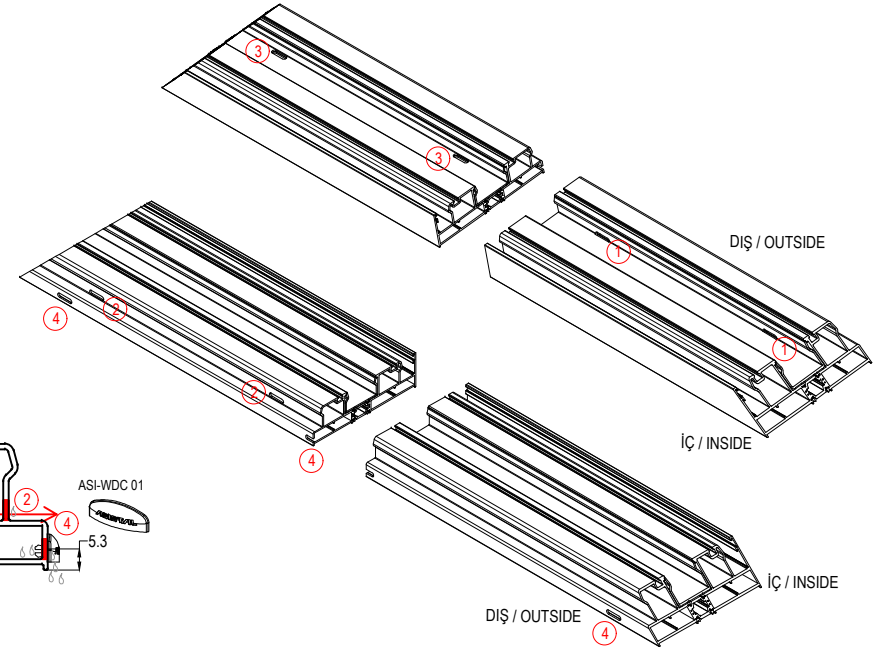
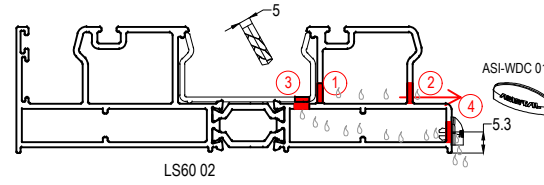
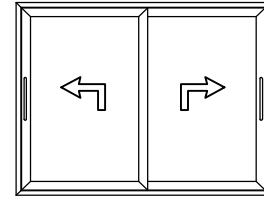
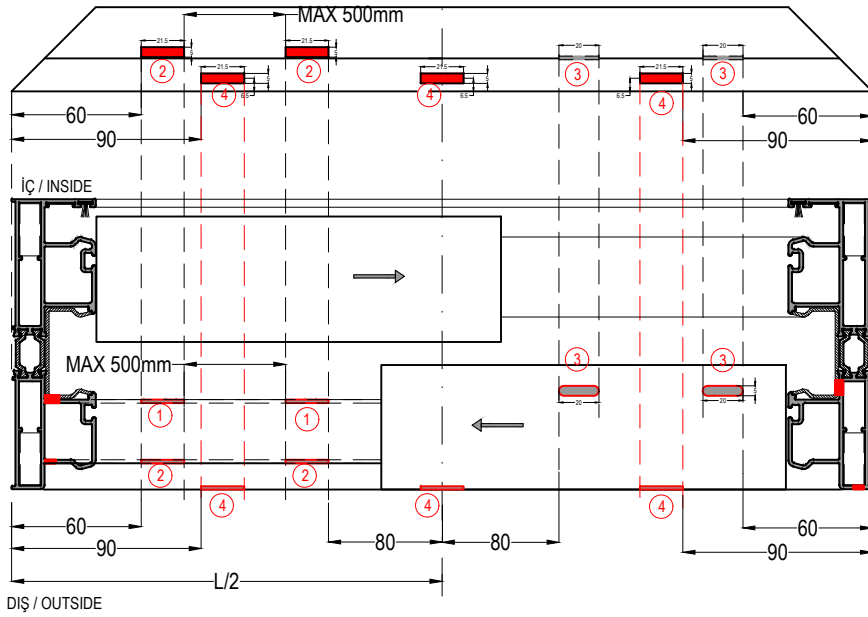


LS60 102 KASA İÇİN DR-004 DRENAJ MONTAJ DETAYI

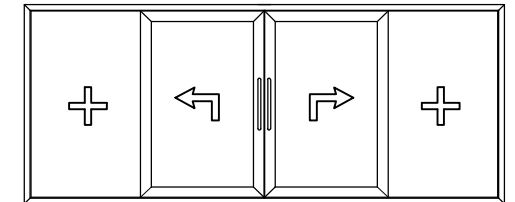
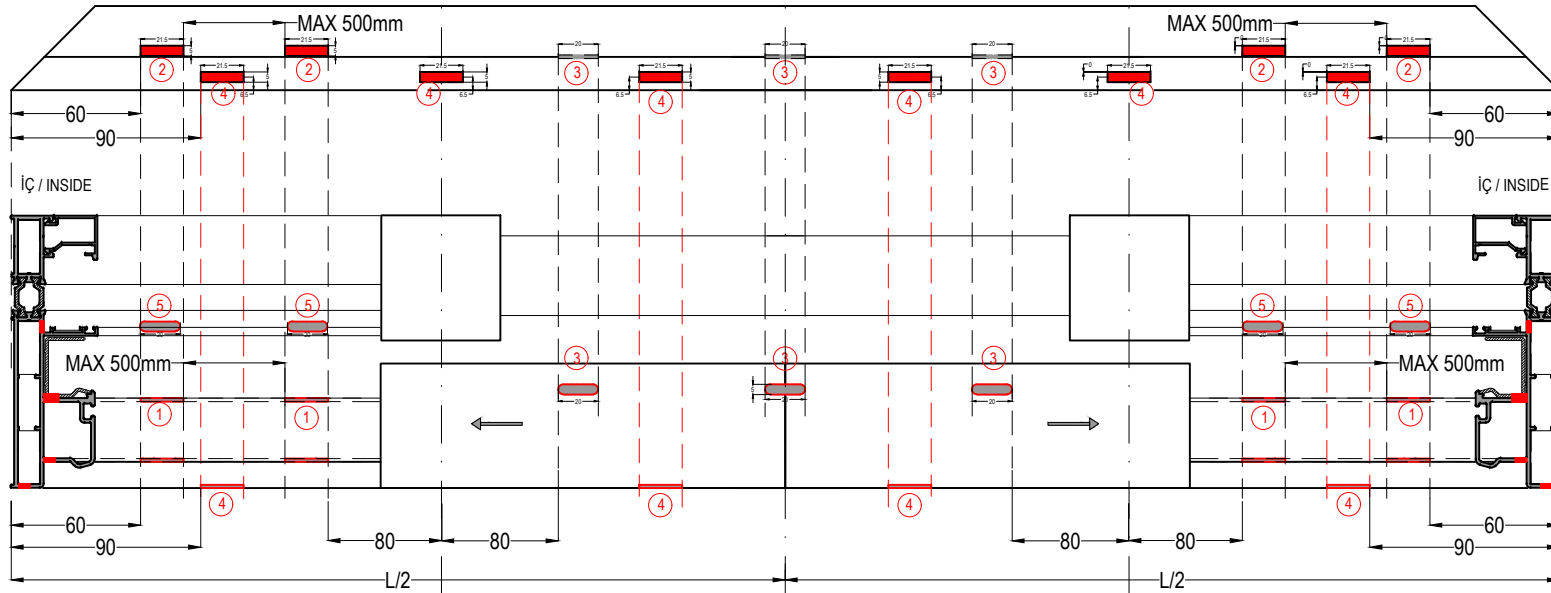
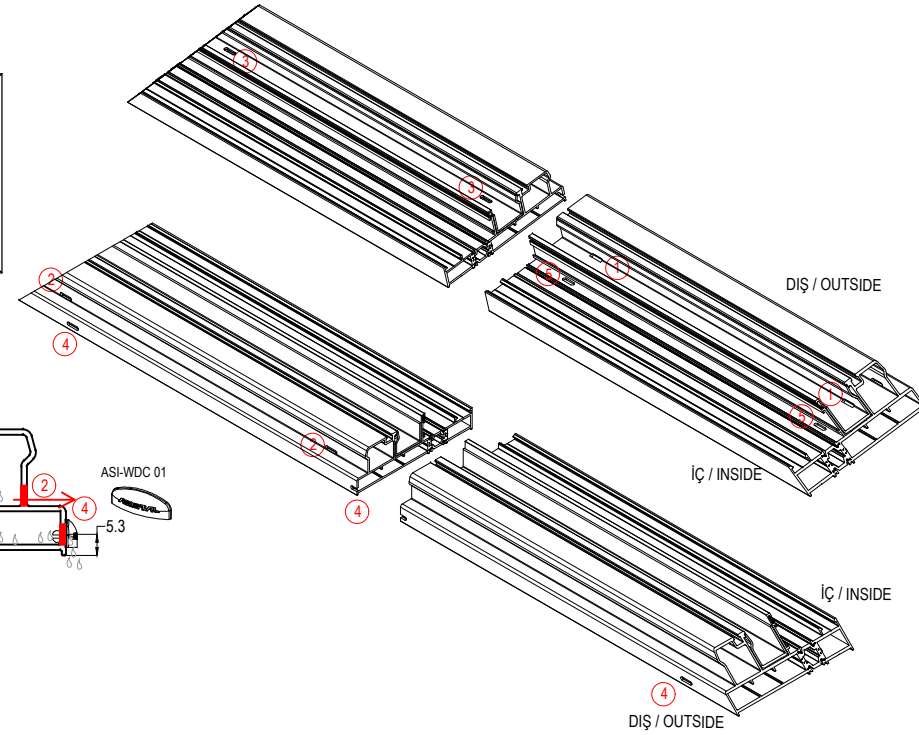
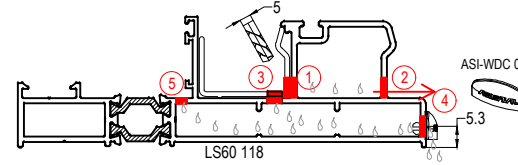
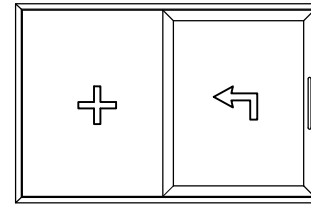
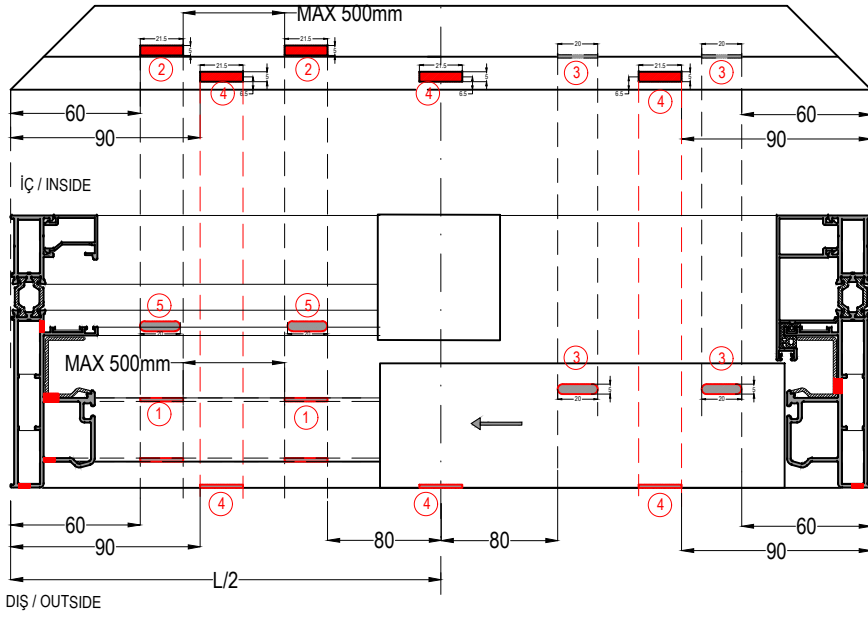
DR-004 DRANAİGE MONTAJI DETAYI for LS60 102



KASA PROFİLİNDE SU TAHLİYE DELİKLERİNİN AÇILMASI
WATER DRAINAGE HOLES ON THE FRAME PROFILES



SABİTLİ KASA PROFİLİNDE SU TAHLİYE DELİKLERİNİN AÇILMASI
WATER DRAINAGE HOLES ON THE MONORAIL FRAME PROFILES



LS60

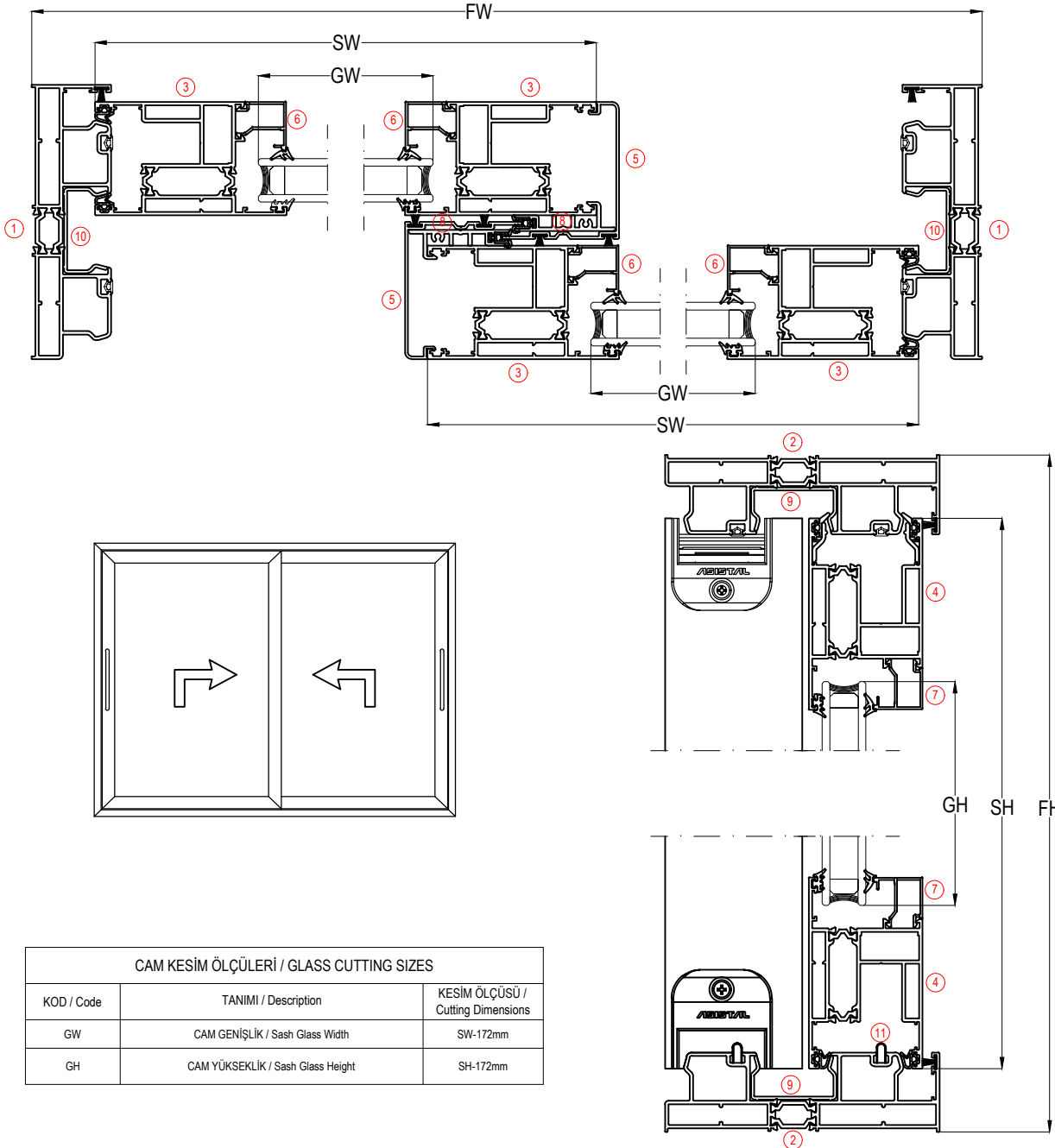
YALITIMLI KALDIR-SÜR SİSTEM
THERMAL LIFT&SLIDE SYSTEM

ASISTAL

KALDIR-SÜR SİSTEM
LIFT & SLIDE SYSTEM

2 HAREKETLİ KANAT KESİM ÖLÇÜLERİ

2 SLIDING SASHES CUTTING SIZE



CAM KESİM ÖLÇÜLERİ / GLASS CUTTING SIZES		
KOD / Code	TANIMI / Description	KESİM ÖLÇÜSÜ / Cutting Dimensions
GW	CAM GENİŞLİK / Sash Glass Width	SW-172mm
GH	CAM YÜKSEKLİK / Sash Glass Height	SH-172mm

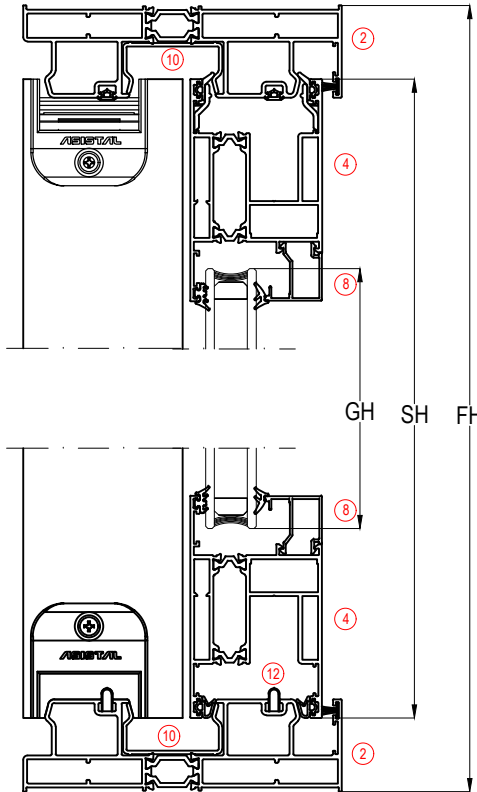
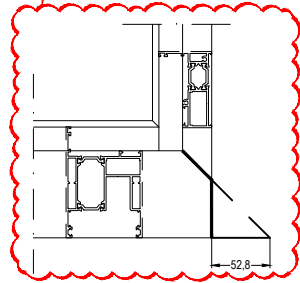
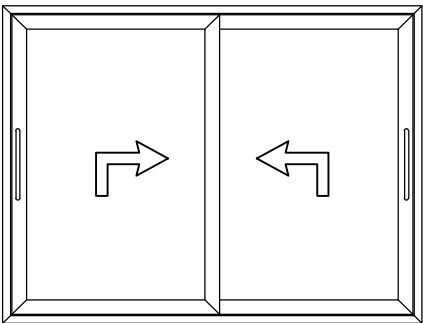
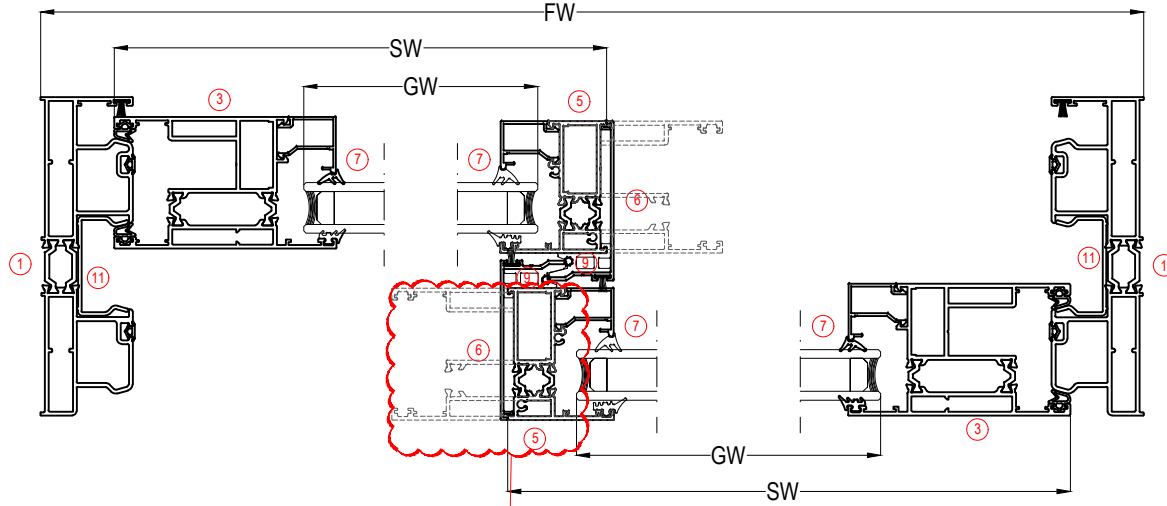
PROFİLLER / PROFILES					
NO / Number	ADET / Unit	KOD / Code	PROFİL ÇİZİMİ / Drawing	PROFİL TANIMI / Description	KESİM ÖLÇÜSÜ / Cutting Dimensions
1	2	LS60 02 LS60 102		DÜŞEY KASA PROFİLİ / Vertical Frame Profile	FH
2	2	LS60 02 LS60 102		YATAY KASA PROFİLİ / Horizontal Frame Profile	FW
3	4	LS60 11		DÜŞEY KANAT PROFİLİ / Vertical Sash Profile	SH=FH-67mm
4	4	LS60 11		YATAY KANAT PROFİLİ / Horizontal Sash Profile	SW=FW/2+11,1mm
5	2	LS60 42		KENET PROFİLİ / Central Locking Profile	LS60 42=SH-6mm
6	4	11-0xx		DÜŞEY CAM ÇITASI / Vertical Glazing Bead	G1=SH-202mm
7	4	11-0xx		YATAY CAM ÇITASI / Horizontal Glazing Bead	G2=SW-159mm
8	2	MO60-10		KENET PVC PROFİL / Central Locking PVC Profile	SH
9	2	MO60-08		YATAY KASA KANAL PVC / Horizontal PVC Channel Profile	FW
10	2	MO60-08		DÜŞEY KASA KANAL PVC / Vertical PVC Channel Profile	FH
11	2	ASH-NR 03		ÇELİK RAY PROFİLİ / Steel Rail Profile	FW-84mm

FİTİLLER / GASKETS				
MİKTAR / Unit	KOD / Code	PROFİL ÇİZİMİ / Drawing	PROFİL TANIMI / Description	KESİM ÖLÇÜSÜ / Cutting Dimensions
mt	EP1-01		DIŞ CAM FİTİLİ / Outer Glazing Gasket	4x(G1+G2)
mt	EP2-01		İÇ CAM FİTİLİ / Inner Glazing Gasket	4x(G1+G2)
mt	EP60-03		KANAT ÜST FİTİLİ / Sash Gasket	4 x SW
mt	EP60-R04		KENET FİTİLİ / Central Locking Gasket	2 x SH
mt	EP60-05		KANAT FİTİLİ / Sash Gasket	(4xSH)+(4xSW)
mt	EP38-02		KASA FİTİLİ / Frame Gasket	(4xFH) + (2xFW)
mt	KF 67-600		FİRÇA FİTİL / Brush Gasket - 6mm	4 x SH
mt	KF 67-700		FİRÇA FİTİL / Brush Gasket - 7mm	(2xFH)+(2xFW)

AKSESUARLAR / ACCESSORIES				
2 Adet / Pcs	MO60-01		ALT KENET KAPAĞI / Interlock Profile Cap-Bottom	
2 Adet / Pcs	MO60-02		ÜST KENET KAPAĞI / Interlock Profile Cap-Top	
2 Adet / Pcs	MO60-03		MO60-10 ALT KAPAK PROFİLİ / Bottom Cover Profile	
2 Adet / Pcs	MO60-04		MO60-10 ÜST KAPAK PROFİLİ / Top Cover Profile	
1 Adet / Pcs	MO60-05G		ALT HAVA KESİCİ / Central Sealing - Bottom	
1 Adet / Pcs	MO60-06G		ÜST HAVA KESİCİ / Central Sealing - Top	
8 Adet / Pcs	MO60-13		KANAT DENGELEME PLASTİĞİ / Sash Stabilization Spacer	
28 Adet / Pcs	ASI-SB 19.1		KÖŞE GÖNYESİ / Corner Alignment	
8 Adet / Pcs	ASI-PB 1126 ASI-KT 1126		KÖŞE TAKOZU veya PİMLİ BAĞLANTI / Pres Corner Joint or Pin	
8 Adet / Pcs	ASI-KT 1429		KÖŞE TAKOZU / Pres Corner Joint	
16 Adet / Pcs	ASI-KT 2307		KÖŞE TAKOZU / Pres Corner Joint	
2 Takım / Set	LS60-MEK1		KALDIR-SÜR MEKANİZMASI / Lift&Slide Mechanism	

2 HAREKETLİ KANAT DAR KENET KESİM ÖLÇÜLERİ

2 SLIDING SASHES CUTTING SIZE



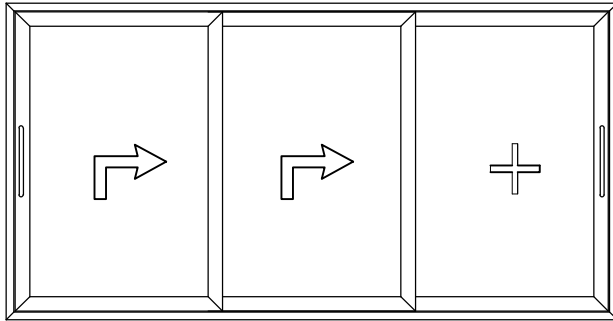
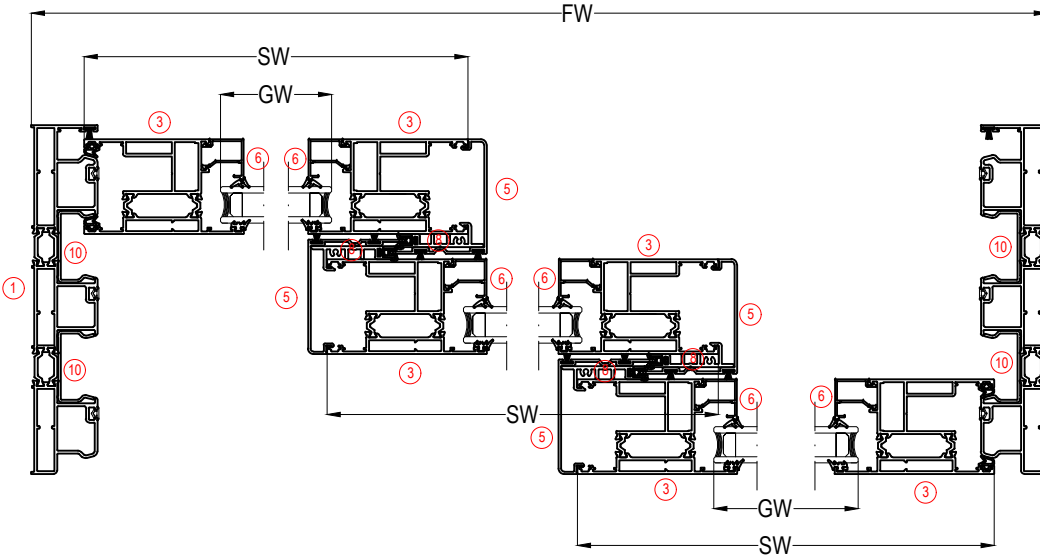
CAM KESİM ÖLÇÜLERİ / GLASS CUTTING SIZES		
KOD / Code	TANIMI / Description	KESİM ÖLÇÜSÜ / Cutting Dimensions
GW	CAM GENİŞLİK / Sash Glass Width	FW/2 - 131mm
GH	CAM YÜKSEKLİK / Sash Glass Height	SH - 172mm

PROFİLLER / PROFILES					
NO / Number	ADET / Unit	KOD / Code	PROFİL ÇİZİMİ / Drawing	PROFİL TANIMI / Description	KESİM ÖLÇÜSÜ / Cutting Dimensions
1	2	LS60 02 LS60 102		DÜŞEY KASA PROFİLİ / Vertical Frame Profile	FH
2	2	LS60 02 LS60 102		YATAY KASA PROFİLİ / Horizontal Frame Profile	FW
3	4	LS60 11		DÜŞEY KANAT PROFİLİ / Vertical Sash Profile	SH-FH-67mm
4	4	LS60 11		YATAY KANAT PROFİLİ / Horizontal Sash Profile	SW=FW/2 + 41,5mm
5	2	LS60 112 LS60 113		DÜŞEY DAR KANAT PROFİLİ / Vertical Sash Profile	SH - 105,5 mm
6	2	LS60 45		KENET PROFİLİ / Central Locking Profile	LS60 42=SH
7	4	11-0xx		DÜŞEY CAM ÇİTASI / Vertical Glazing Bead	G1=SH-202mm
8	4	11-0xx		YATAY CAM ÇİTASI / Horizontal Glazing Bead	G2=SW-106mm
9	2	MO60-11		KENET PVC PROFİL / Central Locking PVC Profile	SH
10	2	MO60-08		YATAY KASA KANAL PVC / Horizontal PVC Channel Profile	FW
11	2	MO60-08		DÜŞEY KASA KANAL PVC / Vertical PVC Channel Profile	FH
12	2	ASI-INR 02		ÇELİK RAY PROFİLİ / Steel Rail Profile	FW-84mm

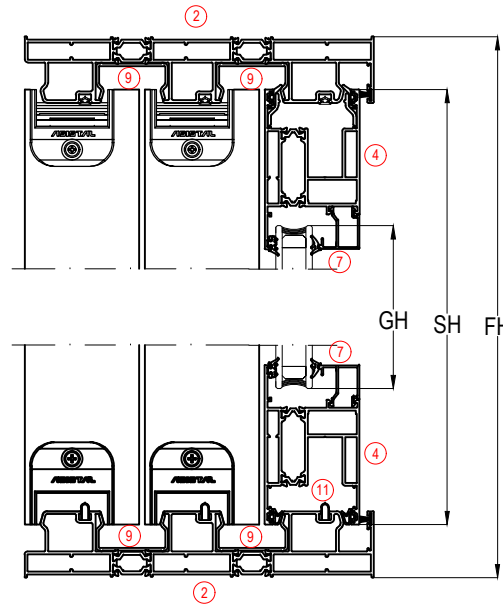
FİTİLLER / GASKETS				
MİKTAR / Unit	KOD / Code	PROFİL ÇİZİMİ / Drawing	PROFİL TANIMI / Description	KESİM ÖLÇÜSÜ / Cutting Dimensions
mt	EP1-01		DIŞ CAM FİTİLİ / Outer Glazing Gasket	4x(G1+G2)
mt	EP2-01		İÇ CAM FİTİLİ / Inner Glazing Gasket	4x(G1+G2)
mt	EP60-03		KANAT ÜST FİTİLİ / Sash Gasket	4 x SW
mt	EP5-01		O.RING / Gasket	2 x SH
mt	EP60-05		KANAT FİTİLİ / Sash Gasket	(4xSH)+(4xSW)
mt	EP38-02		KASA FİTİLİ / Frame Gasket	(4xFH) + (2xFW)
mt	KF 67-600		FİRÇA FİTİL / Brush Gasket - 6mm	2 x SH
mt	KF 67-700		FİRÇA FİTİL / Brush Gasket - 7mm	(2xFH)+(2xFW)

AKSESUARLAR / ACCESSORIES				
2 Adet / Pcs	MO60-01		ALT KENET KAPAĞI / Interlock Profile Cap-Bottom	
2 Adet / Pcs	MO60-02		ÜST KENET KAPAĞI / Interlock Profile Cap-Top	
1 Adet / Pcs	MO60-05G		ALT HAVA KESİCİ / Central Sealing - Bottom	
1 Adet / Pcs	MO60-06G		ÜST HAVA KESİCİ / Central Sealing - Top	
8 Adet / Pcs	MO60-13		KANAT DENGEME PLASTİĞİ / Sash Stabilization Spacer	
20 Adet / Pcs	ASI-SB 19.1		KÖŞE GÖNYESİ / Corner Alignment	
8 Adet / Pcs	ASI-PB 1126 ASI-KT 1126		KÖŞE TAKOZU veya PİMLİ BAĞLANTI / Pres Corner Joint or Pin	
8 Adet / Pcs	ASI-KT 1429		KÖŞE TAKOZU / Pres Corner Joint	
8 Adet / Pcs	ASI-KT 2307		KÖŞE TAKOZU / Pres Corner Joint	
2 Takım / Set	LS60-MEK1		KALDIR-SÜR MEKANİZMASI / Lift&Slide Mechanism	

3 LÜ KANAT KESİM ÖLÇÜLERİ 3 SASHES CUTTING SIZE



CAM KESİM ÖLÇÜLERİ / GLASS CUTTING SIZES		
KOD / Code	TANIMI / Description	KESİM ÖLÇÜSÜ / Cutting Dimensions
GW	CAM GENİŞLİK / Sash Glass Width	SW-172mm
GH	CAM YÜKSEKLİK / Sash Glass Height	SH-172mm



PROFİLLER / PROFILES

NO / Number	ADET / Unit	KOD / Code	PROFİL ÇİZİMİ / Drawing	PROFİL TANIMI / Description	KESİM ÖLÇÜSÜ / Cutting Dimensions
1	2	LS60 03 LS60 103		DÜŞEY KASA PROFİLİ / Vertical Frame Profile	FH
2	2	LS60 03 LS60 103		YATAY KASA PROFİLİ / Horizontal Frame Profile	FW
3	6	LS60 11		DÜŞEY KANAT PROFİLİ / Vertical Sash Profile	SH=SH-67mm
4	6	LS60 11		YATAY KANAT PROFİLİ / Horizontal Sash Profile	SW=FW/3+37,2
5	4	LS60 42		KENET PROFİLİ / Central Locking Profile	LS60 42=SH-6mm
6	6	11-0xx		DÜŞEY CAM ÇİTASI / Vertical Glazing Bead	G1=SH-202mm
7	6	11-0xx		YATAY CAM ÇİTASI / Horizontal Glazing Bead	G2=SW-159mm
8	4	MO60-10		KENET PVC PROFİLİ / Central Locking PVC Profile	SH
9	4	MO60-08		YATAY KASA KANAL PVC / Horizontal PVC Channel Profile	FW
10	4	MO60-08		DÜŞEY KASA KANAL PVC / Vertical PVC Channel Profile	FH
11	3	ASI-INR 03		ÇELİK RAY PROFİLİ / Steel Rail Profile	FW-84mm

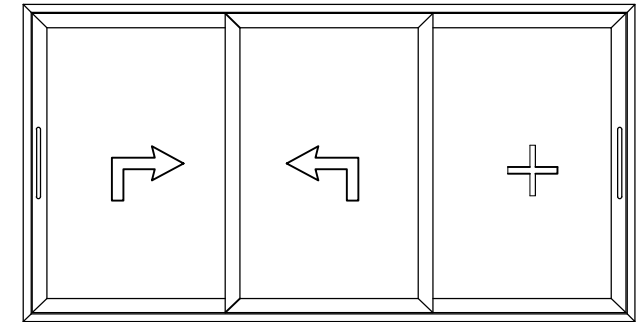
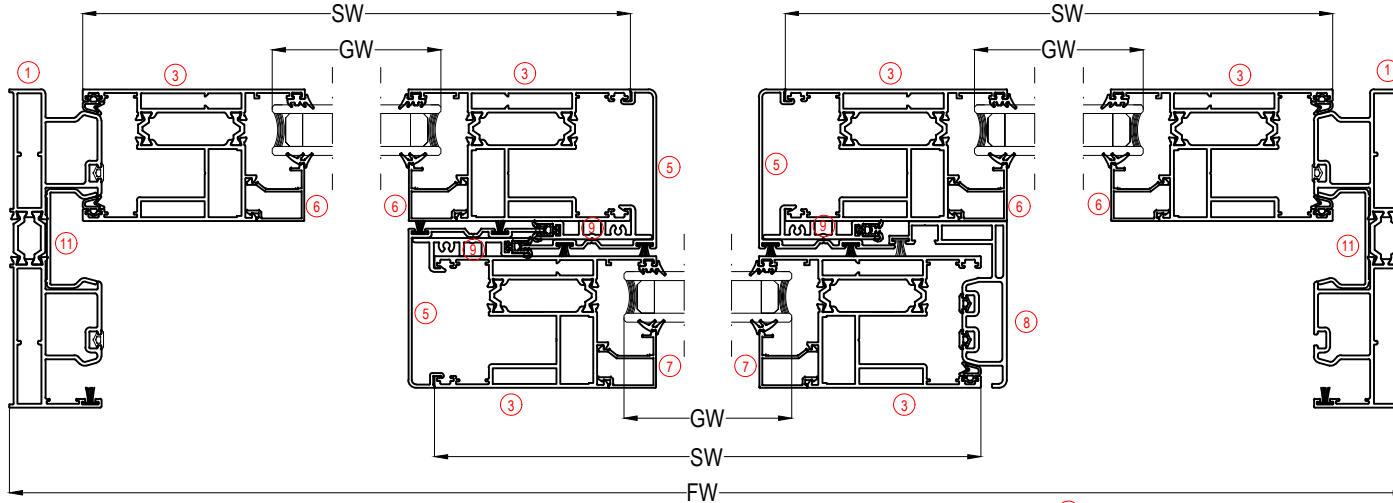
FİTİLLER / GASKETS

MİKTAR / Unit	KOD / Code	PROFİL ÇİZİMİ / Drawing	PROFİL TANIMI / Description	KESİM ÖLÇÜSÜ / Cutting Dimensions
mt	EP1-01		DIŞ CAM FİTİLİ / Outer Glazing Gasket	6x(G1+G2)
mt	EP2-01		İÇ CAM FİTİLİ / Inner Glazing Gasket	6x(G1+G2)
mt	EP60-03		KANAT ÜST FİTİLİ / Sash Gasket	6 x SW
mt	EP60-R04		KENET FİTİLİ / Central Locking Gasket	4 x SH
mt	EP60-05		KANAT FİTİLİ / Sash Gasket	(4xSH)+(6xSW)
mt	EP38-02		KASA FİTİLİ / Frame Gasket	(6xSH) + (3xFW)
mt	KF 67-600		FİRÇA FİTİL / Brush Gasket - 6mm	8 x SH
mt	KF 67-700		FİRÇA FİTİL / Brush Gasket - 7mm	(2xSH)+(2xFW)

AKSESUARLAR / ACCESSORIES

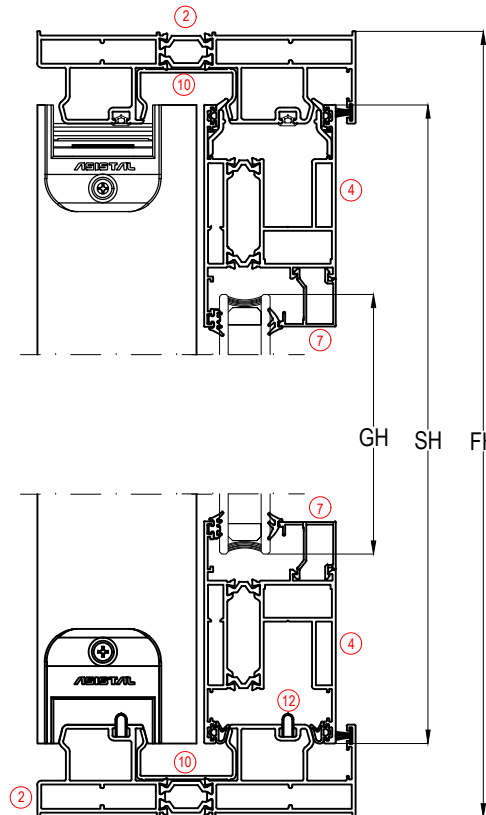
4 Adet / Pcs	MO60-01		ALT KENET KAPAĞI / Interlock Profile Cap-Bottom	
4 Adet / Pcs	MO60-02		ÜST KENET KAPAĞI / Interlock Profile Cap-Top	
4 Adet / Pcs	MO60-03		MO60-10 ALT KAPAK PROFİLİ / Bottom Cover Profile	
4 Adet / Pcs	MO60-04		MO60-10 ÜST KAPAK PROFİLİ / Top Cover Profile	
2 Adet / Pcs	MO60-05G		ALT HAVA KESİCİ / Central Sealing - Bottom	
2 Adet / Pcs	MO60-06G		ÜST HAVA KESİCİ / Central Sealing - Top	
12 Adet / Pcs	MO60-13		KANAT DENGELEME PLASTİĞİ / Sash Stabilization Spacer	
40 Adet / Pcs	ASI-SB 19.1		KÖŞE GÖNYESİ / Corner Alignment	
12 Adet / Pcs	ASI-PB 1126 ASI-KT 1126		KÖŞE TAKOZU veya PİMLİ BAĞLANTI / Pres Corner Joint or Pin	
12 Adet / Pcs	ASI-KT 1429		KÖŞE TAKOZU / Pres Corner Joint	
24 Adet / Pcs	ASI-KT 2307		KÖŞE TAKOZU / Pres Corner Joint	
4 Adet / Pcs	LS60-DB3560		KANAT SABİTLEME PARÇASI / Sash Fixing	
2 Takım / Set	LS60-MEK1		KALDIR-SÜR MEKANİZMASI / Lift&Slide Mechanism	

2'Lİ RAYDA 3 LÜ KANAT KESİM ÖLÇÜLERİ
3 SASHES CUTTING SIZE FOR DOUBLE RAIL FRAME



CAM KESİM ÖLÇÜLERİ / GLASS CUTTING SIZES		
KOD / Code	TANIMI / Description	KESİM ÖLÇÜSÜ / Cutting Dimensions
GW	CAM GENİŞLİK / Sash Glass Width	SW-172mm
GH	CAM YÜKSEKLİK / Sash Glass Height	SH-172mm

PROFİLLER / PROFILES					
NO / Number	ADET / Unit	KOD / Code	PROFİL ÇİZİMİ / Drawing	PROFİL TANIMI / Description	KESİM ÖLÇÜSÜ / Cutting Dimensions
1	2	LS60 02 LS60 102		DÜŞEY KASA PROFİLİ / Vertical Frame Profile	FH
2	2	LS60 02 LS60 102		YATAY KASA PROFİLİ / Horizontal Frame Profile	FW
3	6	LS60 11		DÜŞEY KANAT PROFİLİ / Vertical Sash Profile	SH=FW-67mm
4	6	LS60 11		YATAY KANAT PROFİLİ / Horizontal Sash Profile	SW=FW+37mm
5	3	LS60 42		KENET PROFİLİ / Central Locking Profile	LS60 42=SH-6mm
6	6	11-0xx		DÜŞEY CAM ÇITASI / Vertical Glazing Bead	G1=SH-202mm
7	6	11-0xx		YATAY CAM ÇITASI / Horizontal Glazing Bead	G2=SW-159mm
8	1	LS60 43		3'LÜ KANAT ADAPTÖR PROFİLİ / Adapter Profile	SH
9	3	MO60-10		KENET PVC PROFİL / Central Locking PVC Profile	SH
10	2	MO60-08		YATAY KASA KANAL PVC / Horizontal PVC Channel Profile	FW
11	2	MO60-08		DÜŞEY KASA KANAL PVC / Vertical PVC Channel Profile	FH
12	2	ASI-INR 03		ÇELİK RAY PROFİLİ / Steel Rail Profile	FW-84mm

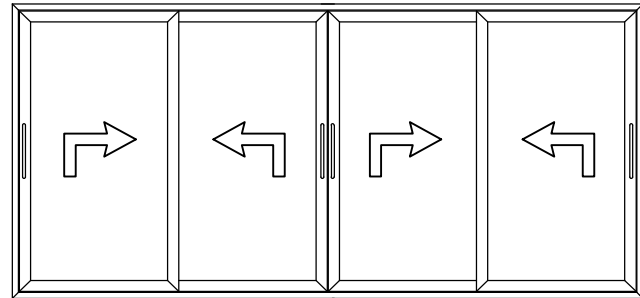
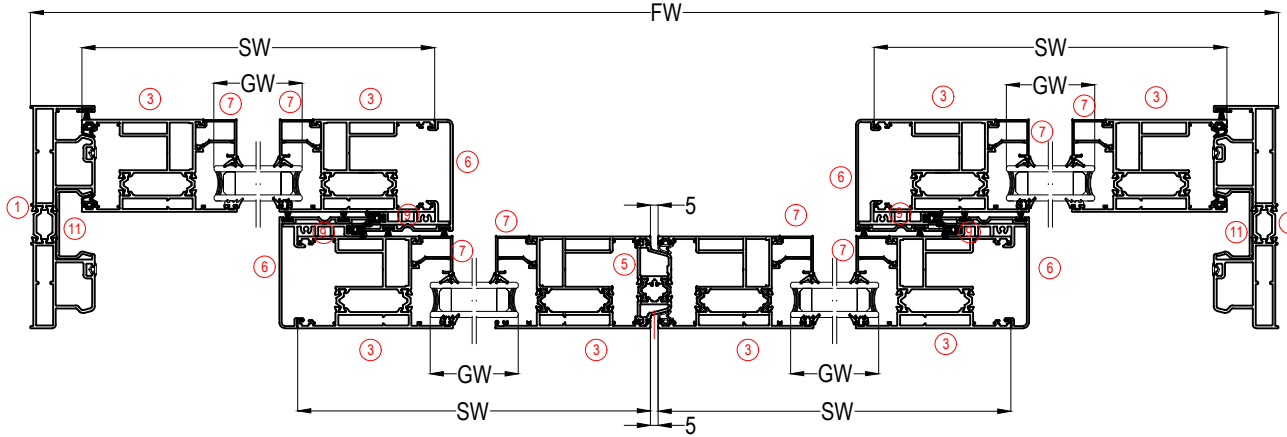


FİTİLLER / GASKETS				
MİKTAR / Unit	KOD / Code	PROFİL ÇİZİMİ / Drawing	PROFİL TANIMI / Description	KESİM ÖLÇÜSÜ / Cutting Dimensions
mt	EP1-01		DIŞ CAM FİTİLİ / Outer Glazing Gasket	6x(G1+G2)
mt	EP2-01		İÇ CAM FİTİLİ / Inner Glazing Gasket	6x(G1+G2)
mt	EP60-03		KANAT ÜST FİTİLİ / Sash Gasket	6 x SW
mt	EP60-R04		KENET FİTİLİ / Central Locking Gasket	3 x SH
mt	EP60-05		KANAT FİTİLİ / Sash Gasket	(6xSH)+(6xSW)
mt	EP38-02		KASA FİTİLİ / Frame Gasket	(4xFH) + (2xFW)
mt	KF 67-600		FİRÇA FİTİL / Brush Gasket - 6mm	6 x SH
mt	KF 67-700		FİRÇA FİTİL / Brush Gasket - 7mm	(2xFH)+(2xFW)
mt	KF 67-1000		FİRÇA FİTİL / Brush Gasket - 10mm	1xSH

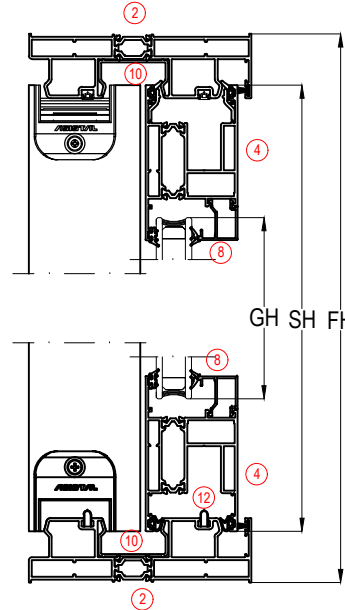
AKSESUARLAR / ACCESSORIES				
2 Adet / Pcs	MO60-01		ALT KENET KAPAĞI / Interlock Profile Cap-Bottom	
2 Adet / Pcs	MO60-02		ÜST KENET KAPAĞI / Interlock Profile Cap-Top	
2 Adet / Pcs	MO60-03		MO60-10 ALT KAPAK PROFİLİ / Bottom Cover Profile	
2 Adet / Pcs	MO60-04		MO60-10 ÜST KAPAK PROFİLİ / Top Cover Profile	
1 Adet / Pcs	MO60-05G		ALT HAVA KESİCİ / Central Sealing - Bottom	
1 Adet / Pcs	MO60-06G		ÜST HAVA KESİCİ / Central Sealing - Top	
12 Adet / Pcs	MO60-13		KANAT DENGELEME PLASTİĞİ / Sash Stabilization Spacer	
40 Adet / Pcs	ASI-SB 19.1		KÖŞE GÖNYESİ / Corner Alignment	
8 Adet / Pcs	ASI-PB 1126 ASI-KT 1126		KÖŞE TAKOZU veya PİMLİ BAĞLANTI / Pres Corner Joint or Pin	
12 Adet / Pcs	ASI-KT 1429		KÖŞE TAKOZU / Pres Corner Joint	
24 Adet / Pcs	ASI-KT 2307		KÖŞE TAKOZU / Pres Corner Joint	
4 Adet / Pcs	LS60-DB3560		KANAT SABİTLEME PARÇASI / Sash Fixing	
2 Takım / Set	LS60-MEK1		KALDIR-SÜR MEKANİZMASI / Lift&Slide Mechanism	

4 LÜ KANAT KESİM ÖLÇÜLERİ

4 SLIDING SASHES CUTTING SIZE



CAM KESİM ÖLÇÜLERİ / GLASS CUTTING SIZES		
KOD / Code	TANIMI / Description	KESİM ÖLÇÜSÜ / Cutting Dimensions
GW	CAM GENİŞLİK / Sash Glass Width	SW-172mm
GH	CAM YÜKSEKLİK / Sash Glass Height	SH-172mm

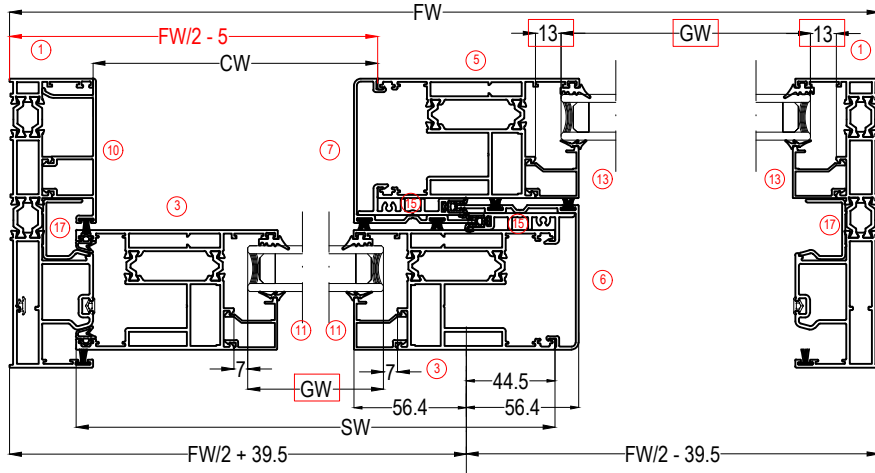


PROFİLLER / PROFILES					
SIRA NO / Number	ADET / Unit	KOD / Code	PROFİL ÇİZİMİ / Drawing	PROFİL TANIMI / Description	KESİM ÖLÇÜSÜ / Cutting Dimensions
1	2	LS60 02		DÜŞEY KASA PROFİLİ / Vertical Frame Profile	FH
2	2	LS60 02		YATAY KASA PROFİLİ / Horizontal Frame Profile	FW
3	8	LS60 11		DÜŞEY KANAT PROFİLİ / Vertical Sash Profile	SH=FW-67mm
4	8	LS60 11		YATAY KANAT PROFİLİ / Horizontal Sash Profile	SW=FW+26,6mm
5	1	LS60-41		ADAPTÖR PROFİLİ / Adapter Profile	LS60 41=SH-50mm
6	4	LS60-42		KENET PROFİLİ / Central Locking Profile	LS60 42=SH-6mm
7	8	11-0xx		DÜŞEY CAM ÇITASI / Vertical Glazing Bead	G1=SH-202mm
8	8	11-0xx		YATAY CAM ÇITASI / Horizontal Glazing Bead	G2=SW-159mm
9	4	MO60-10		KENET PVC PROFİLİ / Central Locking PVC Profile	SH
10	2	MO60-08		YATAY KASA KANAL PVC / Horizontal PVC Channel Profile	SW
11	2	MO60-08		DÜŞEY KASA KANAL PVC / Vertical PVC Channel Profile	SH
12	2	ASI-NR 03		ÇELİK RAY PROFİLİ / Steel Rail Profile	FW-84mm

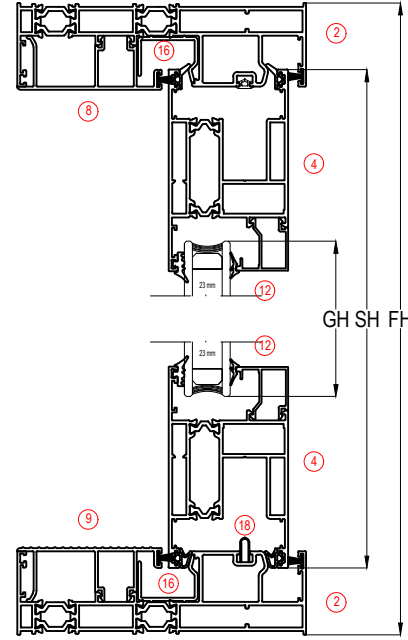
FİTİLLER / GASKETS				
MİKTAR / Unit	KOD / Code	PROFİL ÇİZİMİ / Drawing	PROFİL TANIMI / Description	KESİM ÖLÇÜSÜ / Cutting Dimensions
mt	EP1-01		DIŞ CAM FİTİLİ / Outer Glazing Gasket	8x(G1+G2)
mt	EP2-01		İÇ CAM FİTİLİ / Inner Glazing Gasket	8x(G1+G2)
mt	EP6-03		KANAT ÜST FİTİLİ / Sash Gasket	8 x SW
mt	EP60-R04		KENET FİTİLİ / Central Locking Gasket	4 x SH
mt	EP60-05		KANAT FİTİLİ / Sash Gasket	(6xSH)+(8xSW)
mt	EP38-02		KASA FİTİLİ / Frame Gasket	(4xFH)+(2xFW)
mt	KF 67-600		FİRÇA FİTİL / Brush Gasket - 6mm	8xSH
mt	KF 67-700		FİRÇA FİTİL / Brush Gasket - 7mm	(2xFH)+(2xFW)

AKSESUARLAR / ACCESSORIES				
4 Adet / Pcs	MO60-01		ALT KENET KAPAĞI / Interlock Profile Cap-Bottom	
4 Adet / Pcs	MO60-02		ÜST KENET KAPAĞI / Interlock Profile Cap-Top	
4 Adet / Pcs	MO60-03		MO60-10 ALT KAPAK PROFİLİ / Bottom Cover Profile	
4 Adet / Pcs	MO60-04		MO60-10 ÜST KAPAK PROFİLİ / Top Cover Profile	
2 Adet / Pcs	MO60-05G		ALT HAVA KESİCİ / Central Sealing - Bottom	
2 Adet / Pcs	MO60-06G		ÜST HAVA KESİCİ / Central Sealing - Top	
2 Adet / Pcs	MO60-12		ADAPTÖR KAPAĞI / Adapter Cover	
16 Adet / Pcs	MO60-13		KANAT DENGELEME PLASTİĞİ / Sash Stabilization Spacer	
52 Adet / Pcs	ASI-SB 19.1		KÖŞE GÖNYESİ / Corner Alignment	
8 Adet / Pcs	ASI-PB 1126 ASI-KT 1126		KÖŞE TAKOZU veya PİMLİ BAĞLANTI / Corner Joint Pres or Pin	
16 Adet / Pcs	ASI-KT 1429		KÖŞE TAKOZU / Pres Corner Joint	
32 Adet / Pcs	ASI-KT 2307		KÖŞE TAKOZU / Pres Corner Joint	
2 Takım / Set	LS60-MEK1		KALDIR-SÜR MEKANİZMASI / Lift&Slide Mechanism	
1 Takım / Set	LS60-MEK1D		KALDIR-SÜR MEKANİZMASI / Lift&Slide Mechanism	

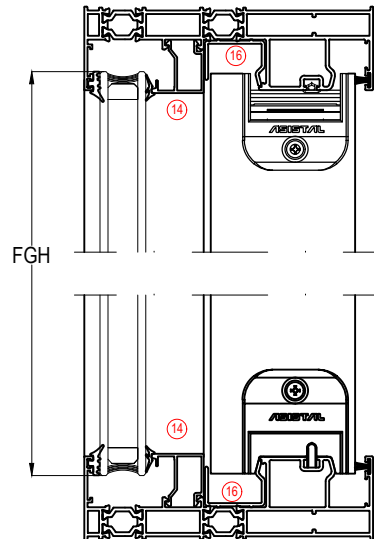
HAREKETLİ KANADI İÇERİDE OLAN MONORAİL SİSTEM - CAM YATAY ÖLÇÜLERİ EŞİT OLMASINA GÖRE
MONORAIL SYSTEM WITH SLIDING SASH INSIDE - ACCORDING TO THE EQUAL GLASS DIMENSIONS BOTH SASH AND FIXED PART



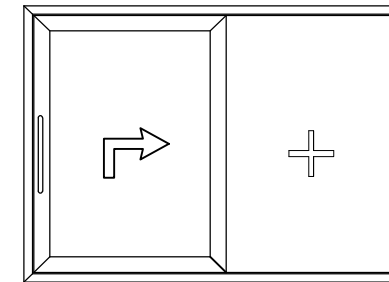
NOT: LS60 04 KASA, CAM KALINLIĞI 24mm DEN FAZLA OLAN CAMLARIN MONTAJI İÇİN UYGUN DEĞİLDİR
LS60 04 FRAME, NOT SUITABLE FOR INSTALLATION FOR GLASSES WITH GLASS THICKNESS MORE THAN 24mm



PROFİLLER / PROFILES					
NO / Number	ADET / Unit	KOD / Code	PROFİL ÇİZİMİ / Drawing	PROFİL TANIMI / Description	KESİM ÖLÇÜSÜ / Cutting Dimensions
1	2	LS60 04 LS60 104		DÜŞEY KASA PROFİLİ / Vertical Frame Profile	FH
2	2	LS60 04 LS60 104		YATAY KASA PROFİLİ / Horizontal Frame Profile	FW
3	2	LS60 11		DÜŞEY KANAT PROFİLİ / Vertical Sash Profile	SH=67mm
4	2	LS60 11		YATAY KANAT PROFİLİ / Horizontal Sash Profile	SW=FW/2-50,6 mm
5	1	LS60 11		ORTA KAYIT PROFİLİ / Transom Locking Profile	TH=67mm
6	1	LS60 42		KENET PROFİLİ / Central Locking Profile	LS60 42=SH-6mm
7	1	LS60 42		ORTA KAYIT KENET PROFİLİ / Transom Cover Profile	FH - 88mm
8	1	LS60 31		ÜST KAPAK PROFİLİ / Top Cover Profile	CW=FW/2 - 47 mm
9	1	LS60 32		ALT KAPAK PROFİLİ / Bottom Cover Profile	CW=FW/2 - 47 mm
10	1	LS60 31		YAN KAPAK PROFİLİ / Side Cover Profile	CH=67mm - 88mm
11	2	11-0xx		DÜŞEY CAM ÇİTASI / Vertical Glazing Bead	G1=SH - 202mm
12	2	11-0xx		YATAY CAM ÇİTASI / Horizontal Glazing Bead	G2=SW - 158mm
13	2	11-0xx		SABİT DÜŞEY CAM ÇİTASI / Fixed Vertical Glazing Bead	G3=SH-88mm
14	2	11-0xx		SABİT YATAY CAM ÇİTASI / Fixed Horizontal Glazing Bead	G4=FW/2-95,5mm
15	2	MO60-10		KENET PVC PROFİL / Central Locking PVC Profile	SH
16	2	MO60-07		YATAY KASA KANAL PVC / Horizontal PVC Channel Profile	FW
17	2	MO60-07		DÜŞEY KASA KANAL PVC / Vertical PVC Channel Profile	FH
18	1	ASH-IR 03		ÇELİK RAY PROFİLİ / Steel Rail Profile	FW-84mm

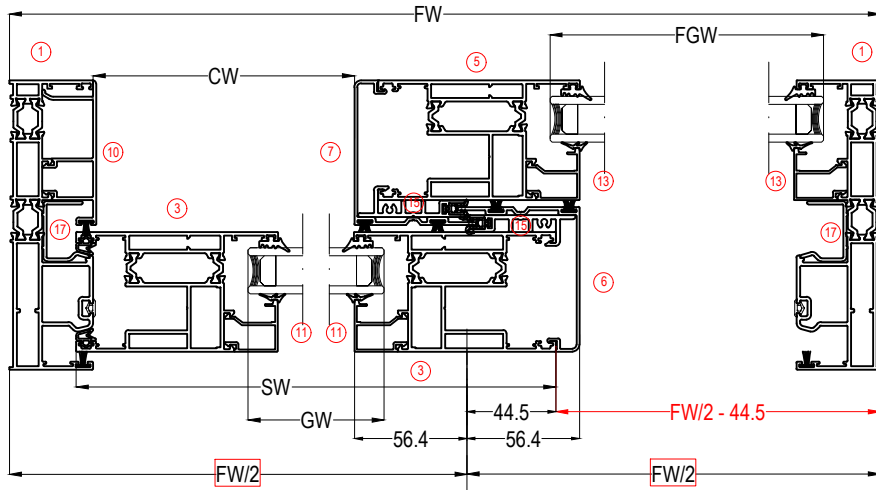


FİTİLLER / GASKETS				
MIKTAR / Unit	KOD / Code	PROFİL ÇİZİMİ / Drawing	PROFİL TANIMI / Description	KESİM ÖLÇÜSÜ / Cutting Dimensions
mt	EP1-01		DIŞ CAM FİTİLİ / Outer Glazing Gasket	2x(G1+G2+G3+G4)
mt	EP2-01		İÇ CAM FİTİLİ / Inner Glazing Gasket	2x(G1+G2+G3+G4)
mt	EP60-R04		KENET FİTİLİ / Central Locking Gasket	2 x SH
mt	EP38-02		KASA FİTİLİ / Frame Gasket	(2x FH) + FW
mt	EP60-03		KANAT ÜST FİTİLİ / Sash Gasket	2 x SW
mt	EP60-05		KANAT FİTİLİ / Sash Gasket	(2xSH)+(2xSW)
mt	KF 67-600		FİRÇA FİTİL / Brush Gasket - 6mm	4xSH
mt	KF 67-700		FİRÇA FİTİL / Brush Gasket - 7mm	(2xFH)+(2xFW)+CH+(2xCW)
AKSESUARLAR / ACCESSORIES				
1 Adet / Pcs	MO60-01		ALT KENET KAPAĞI / Interlock Profile Cap-Bottom	
1 Adet / Pcs	MO60-02		ÜST KENET KAPAĞI / Interlock Profile Cap-Top	
1 Adet / Pcs	MO60-03		MO60-10 ALT KAPAK PROFİLİ / Bottom Cover Profile	
1 Adet / Pcs	MO60-04		MO60-10 ÜST KAPAK PROFİLİ / Top Cover Profile	
1 Adet / Pcs	MO60-05D		ALT HAVA KESİCİ / Central Sealing - Bottom	
1 Adet / Pcs	MO60-06D		ÜST HAVA KESİCİ / Central Sealing - Top	
4 Adet / Pcs	MO60-13		KANAT DENGELEME PLASTİĞİ / Sash Stabilization Spacer	
2 Adet / Pcs	LS60-DB 3560		KANAT SABİTLEME PARÇASI / Sash Fixing Part	
20 Adet / Pcs	ASI-SB 19.1		KÖŞE GÖNYESİ / Corner Alignment	
8 Adet / Pcs	ASI-PB 1126 ASI-KT 1126		KÖŞE TAKOZU veya PİMLİ BAĞLANTI / Pres Corner Joint or Pin	
4 Adet / Pcs	ASI-KT 1429		KÖŞE TAKOZU / Pres Corner Joint	
8 Adet / Pcs	ASI-KT 2307		KÖŞE TAKOZU / Pres Corner Joint	
1 Takım / Set	LS60-MEK1		KALDIR-SÜR MEKANİZMASI / Lift&Slide Mechanism	

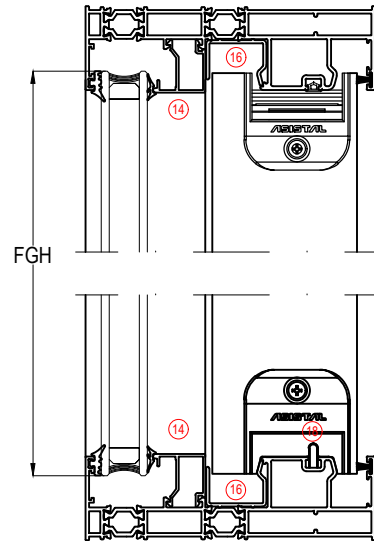
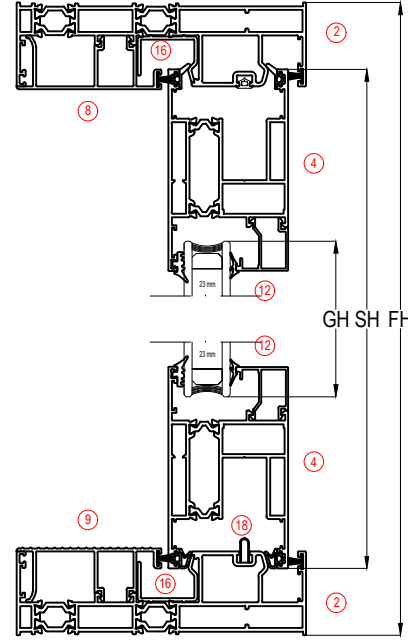


CAM KESİM ÖLÇÜLERİ / GLASS CUTTING SIZES (24mm CAM İÇİN/ 24mm Glazing)		
KOD / Code	TANIMI / Description	KESİM ÖLÇÜSÜ / Cutting Dimensions
GW	HAREKETLİ KANAT CAM GENİŞLİK / Sash Glass Width	SW-172mm
GH	HAREKETLİ KANAT CAM YÜKSEKLİK / Sash Glass Height	SH-172mm
GW	SABİT KISIM CAM GENİŞLİK / Fixed Glass Width	SW-172mm (FW/2-122mm)
FGH	SABİT KISIM CAM YÜKSEKLİK / Fixed Glass Height	FH - 64mm

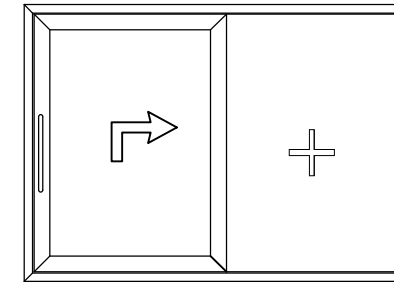
HAREKETLİ KANADI İÇERİDE OLAN MONORAIL SİSTEM - ORTA KENET KİLİTLEME, TAM ORTADA OLMASINA GÖRE
MONORAIL SYSTEM WITH SLIDING SASH INSIDE - ACCORDING TO THE EQUAL CENTRAL LOCKING POINT



NOT: LS60 04 KASA, CAM KALINLIĞI 24mm DEN FAZLA OLAN CAMLARIN MONTAJI İÇİN UYGUN DEĞİLDİR
LS60 04 FRAME, NOT SUITABLE FOR INSTALLATION FOR GLASSES WITH GLASS THICKNESS MORE THAN 24mm



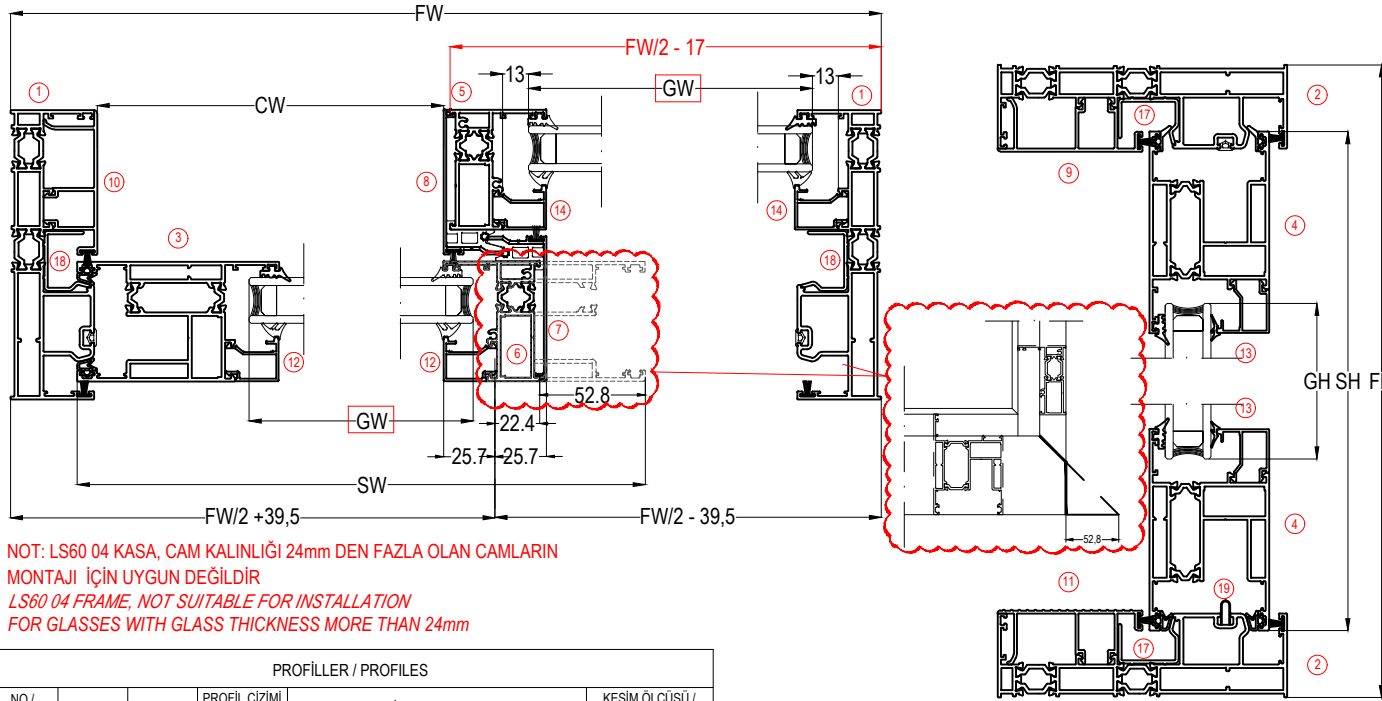
FİTİLLER / GASKETS				
MİKTAR / Unit	KOD / Code	PROFİL ÇİZİMİ / Drawing	PROFİL TANIMI / Description	KESİM ÖLÇÜSÜ / Cutting Dimensions
mt	EP1-01		DIŞ CAM FİTİLİ / Outer Glazing Gasket	2x(G1+G2+G3+G4)
mt	EP2-01		İÇ CAM FİTİLİ / Inner Glazing Gasket	2x(G1+G2+G3+G4)
mt	EP38-02		KASA FİTİLİ / Frame Gasket	(2xFH) + FW
mt	EP60-03		KANAT ÜST FİTİLİ / Sash Gasket	2 x SW
mt	EP60-R04		KENET FİTİLİ / Central Locking Gasket	2 x SH
mt	EP60-05		KANAT FİTİLİ / Sash Gasket	(2xSH)+(2xSW)
mt	KF 67-600		FİRÇA FİTİL / Brush Gasket - 6mm	4xSH
mt	KF 67-700		FİRÇA FİTİL / Brush Gasket - 7mm	(2xFH)+(2xFW)+CH+(2xCW)
AKSESUARLAR / ACCESSORIES				
1 Adet / Pcs	MO60-01		ALT KENET KAPAĞI / Interlock Profile Cap-Bottom	
1 Adet / Pcs	MO60-02		ÜST KENET KAPAĞI / Interlock Profile Cap-Top	
1 Adet / Pcs	MO60-03		MO60-10 ALT KAPAK PROFİLİ / Bottom Cover Profile	
1 Adet / Pcs	MO60-04		MO60-10 ÜST KAPAK PROFİLİ / Top Cover Profile	
1 Adet / Pcs	MO60-05D		ALT HAVA KESİCİ / Central Sealing - Bottom	
1 Adet / Pcs	MO60-06D		ÜST HAVA KESİCİ / Central Sealing - Top	
4 Adet / Pcs	MO60-13		KANAT DENGEME PLASTİĞİ / Sash Stabilization Spacer	
2 Adet / Pcs	LS60-DB 3560		KANAT SABİTLEME PARÇASI / Sash Fixing Part	
20 Adet / Pcs	ASI-SB 19.1		KÖŞE GÖNYEŞİ / Corner Alignment	
8 Adet / Pcs	ASI-PB 1126 ASI-KT 1126		KÖŞE TAKOZU veya PİMLİ BAĞLANTI / Pres Corner Joint or Pin	
4 Adet / Pcs	ASI-KT 1429		KÖŞE TAKOZU / Pres Corner Joint	
8 Adet / Pcs	ASI-KT 2307		KÖŞE TAKOZU / Pres Corner Joint	
1 Takım / Set	LS60-MEK1		KALDIR-SÜR MEKANİZMASI / Lift&Slide Mechanism	



PROFİLLER / PROFILES					
NO / Number	ADET / Unit	KOD / Code	PROFİL ÇİZİMİ / Drawing	PROFİL TANIMI / Description	KESİM ÖLÇÜSÜ / Cutting Dimensions
1	2	LS60 04 LS60 104		DÜŞEY KASA PROFİLİ / Vertical Frame Profile	FH
2	2	LS60 04 LS60 104		YATAY KASA PROFİLİ / Horizontal Frame Profile	FW
3	2	LS60 11		DÜŞEY KANAT PROFİLİ / Vertical Sash Profile	SH=67mm
4	2	LS60 11		YATAY KANAT PROFİLİ / Horizontal Sash Profile	SW=FW/2 +11 mm
5	1	LS60 11		ORTA KAYIT PROFİLİ / Transom Locking Profile	TH=43mm
6	1	LS60 42		KENET PROFİLİ / Central Locking Profile	LS60 42=SH-6mm
7	1	LS60 42		ORTA KAYIT KENET PROFİLİ / Transom Cover Profile	FH-43mm
8	1	LS60 31		ÜST KAPAK PROFİLİ / Top Cover Profile	CW=FW/2 - 98.5 mm
9	1	LS60 32		ALT KAPAK PROFİLİ / Bottom Cover Profile	CW=FW/2 - 98.5 mm
10	1	LS60 31		YAN KAPAK PROFİLİ / Side Cover Profile	CH=88 mm
11	2	11-0xx		DÜŞEY CAM ÇİTASI / Vertical Glazing Bead	G1=SH - 202 mm
12	2	11-0xx		YATAY CAM ÇİTASI / Horizontal Glazing Bead	G2=SW - 158 mm
13	2	11-0xx		SABİT DÜŞEY CAM ÇİTASI / Fixed Vertical Glazing Bead	G3=67 - 86 mm
14	2	11-0xx		SABİT YATAY CAM ÇİTASI / Fixed Horizontal Glazing Bead	G4=FW/2 - 56 mm
15	2	MO60-10		KENET PVC PROFİLİ / Central Locking PVC Profile	SH
16	2	MO60-07		YATAY KASA KANAL PVC / Horizontal PVC Channel Profile	FW
17	2	MO60-07		DÜŞEY KASA KANAL PVC / Vertical PVC Channel Profile	FH
18	1	ASH-İN 02		ÇELİK RAY PROFİLİ / Steel Rail Profile	FW-84mm

CAM KESİM ÖLÇÜLERİ / GLASS CUTTING SIZES (24mm CAM İÇİN / 24mm Glazing)		
KOD / Code	TANIMI / Description	KESİM ÖLÇÜSÜ / Cutting Dimensions
GW	HAREKETLİ KANAT CAM GENİŞLİK / Sash Glass Width	SW-172mm
GH	HAREKETLİ KANAT CAM YÜKSEKLİK / Sash Glass Height	SH-172mm
FGW	SABİT KISIM CAM GENİŞLİK / Fixed Glass Width	FW/2 - 82 mm
FGH	SABİT KISIM CAM YÜKSEKLİK / Fixed Glass Height	FH - 64mm

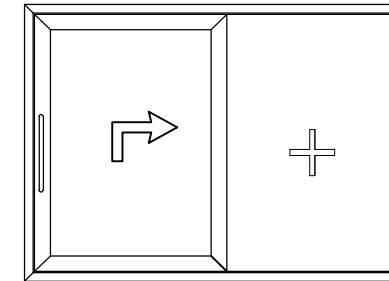
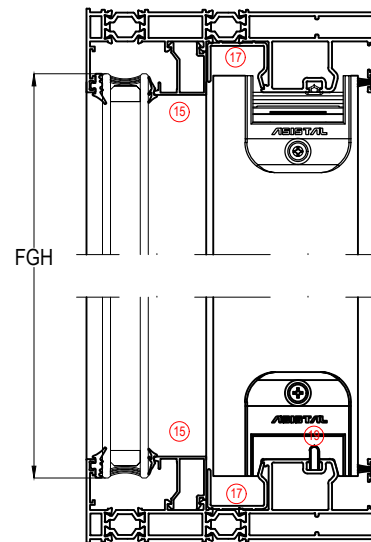
HAREKETLİ KANADI İÇERİDE OLAN MONORAİL SİSTEM - CAM YATAY ÖLÇÜLERİ EŞİT OLMASINA GÖRE
MONORAIL SYSTEM WITH SLIDING SASH INSIDE - ACCORDING TO THE EQUAL GLASS DIMENSIONS BOTH SASH AND FIXED PART



NOT: LS60 04 KASA, CAM KALINLIĞI 24mm DEN FAZLA OLAN CAMLARIN MONTAJI İÇİN UYGUN DEĞİLDİR
LS60 04 FRAME, NOT SUITABLE FOR INSTALLATION FOR GLASSES WITH GLASS THICKNESS MORE THAN 24mm

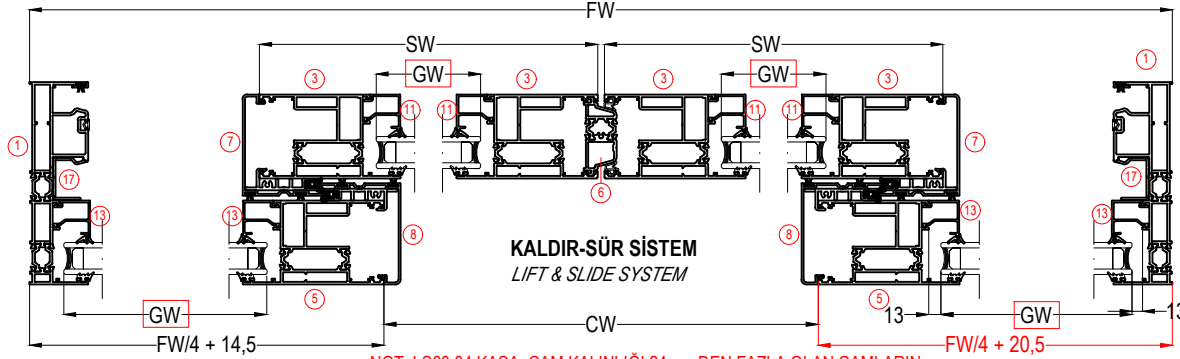
FİTİLLER / GASKETS				
MİKTAR / Unit	KOD / Code	PROFİL ÇİZİMİ / Drawing	PROFİL TANIMI / Description	KESİM ÖLÇÜSÜ / Cutting Dimensions
mt	EP1-01		DIŞ CAM FİTİLİ / Outer Glazing Gasket	2x(G1+G2+G3+G4)
mt	EP2-01		İÇ CAM FİTİLİ / Inner Glazing Gasket	2x(G1+G2+G3+G4)
mt	EP5-01		KANAL FİTİLİ / Adapter Gasket	2 x SH
mt	EP38-02		KASA FİTİLİ / Frame Gasket	(2xFH) + FW
mt	EP60-03		KANAT ÜST FİTİLİ / Sash Gasket	2 x SW
mt	EP60-05		KANAT FİTİLİ / Sash Gasket	(2xSH)+(2xSW)
mt	KF 67-600		FİRÇA FİTİL / Brush Gasket - 6mm	2xSH
mt	KF 67-700		FİRÇA FİTİL / Brush Gasket - 7mm	(2xFH)+(2xFW)+CH+(2xCW)
AKSESUARLAR / ACCESSORIES				
1 Adet / Pcs	MO60-01		ALT KENET KAPAĞI / Interlock Profile Cap-Bottom	
1 Adet / Pcs	MO60-02		ÜST KENET KAPAĞI / Interlock Profile Cap-Top	
1 Adet / Pcs	MO60-05D		ALT HAVA KESİCİ / Central Sealing - Bottom	
1 Adet / Pcs	MO60-06D		ÜST HAVA KESİCİ / Central Sealing - Top	
4 Adet / Pcs	MO60-13		KANAT DENGELEME PLASTİĞİ / Sash Stabilization Spacer	
4 Adet / Pcs	ASI-P-100		ORTA KANAT SABİTLEME PARÇASI / Sash Fixing	
16 Adet / Pcs	ASI-SB 19.1		KÖŞE GÖNYESİ / Corner Alignment	
8 Adet / Pcs	ASI-PB 1126 ASI-KT 1126		KÖŞE TAKOZU veya PİMLİ BAĞLANTI / Pres Corner Joint or Pin	
4 Adet / Pcs	ASI-KT 1429		KÖŞE TAKOZU / Pres Corner Joint	
4 Adet / Pcs	ASI-KT 2307		KÖŞE TAKOZU / Pres Corner Joint	
1 Takım / Set	LS60-MEK1		KALDIR-SÜR MEKANİZMASI / Lift&Slide Mechanism	

PROFİLLER / PROFILES					
NO / Number	ADET / Unit	KOD / Code	PROFİL ÇİZİMİ / Drawing	PROFİL TANIMI / Description	KESİM ÖLÇÜSÜ / Cutting Dimensions
1	2	LS60 04 LS60 104		DÜŞEY KASA PROFİLİ / Vertical Frame Profile	FH
2	2	LS60 04 LS60 104		YATAY KASA PROFİLİ / Horizontal Frame Profile	FW
3	1	LS60 11		DÜŞEY KANAT PROFİLİ / Vertical Sash Profile	SH=FW-67mm
4	2	LS60 11		YATAY KANAT PROFİLİ / Horizontal Sash Profile	SW=FW/2+81,5 mm
5	1	LS60 112 LS60 113		ORTA KAYIT KENET PROFİLİ / Transom Locking Profile	LS60 112 = FH-43mm LS60 113 = FH
6	1	LS60 112 LS60 113		DÜŞEY KANAT PROFİLİ / Vertical Sash Profile	SH-105,5 mm
7	1	LS60 45		KENET PROFİLİ / Central Locking Profile	LS40 42=SH
8	1	LS60 45		ORTA KAYIT KENET PROFİLİ / Transom Cover Profile	FH-43mm
9	1	LS60 31		ÜST KAPAK PROFİLİ / Top Cover Profile	CW=FW/2 - 30 mm
10	1	LS60 31		YAN KAPAK PROFİLİ / Side Cover Profile	FH - 43 mm
11	1	LS60 32 LS60 31		ALT KAPAK PROFİLİ / Bottom Cover Profile	CW=FW/2 - 30mm
12	2	11-0xx		KANAT DÜŞEY CAM ÇİTASI / Sash Vertical Glazing Bead	G1=SH-203mm
13	2	11-0xx		KANAT YATAY CAM ÇİTASI / Sash Horizontal Glazing Bead	G2=SW-158mm
14	2	11-0xx		SABİT DÜŞEY CAM ÇİTASI / Fixed Vertical Glazing Bead	G3=FW - 86,6mm
15	2	11-0xx		SABİT YATAY CAM ÇİTASI / Fixed Horizontal Glazing Bead	G4=FW/2 - 65 mm
16	2	MO60-11		KENET PVC PROFİL / Central Locking PVC Profile	SH
17	2	MO60-07		YATAY KASA KANAL PVC /Horizontal PVC Channel Profile	FW
18	2	MO60-07		DÜŞEY KASA KANAL PVC /Vertical PVC Channel Profile	FH
19	1	ASH-1NR 03		ÇELİK RAY PROFİLİ / Steel Rail Profile	FW-84mm

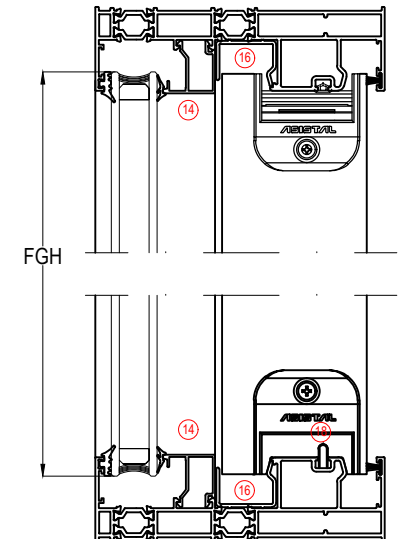
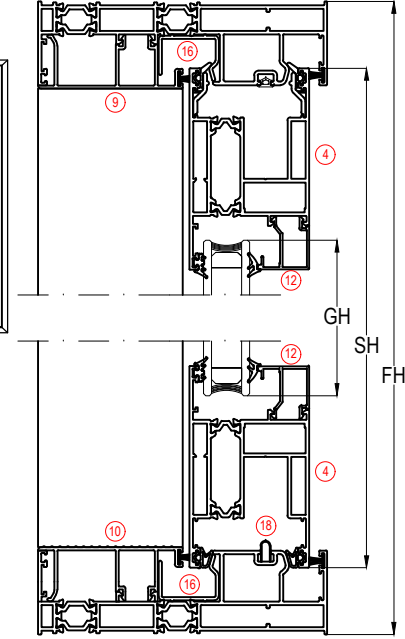
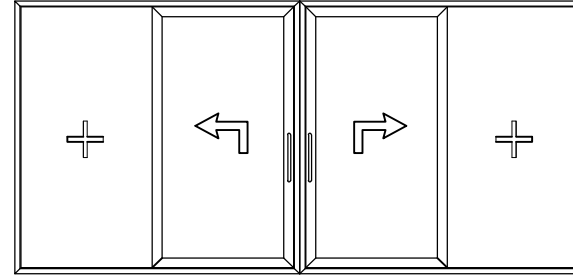


CAM KESİM ÖLÇÜLERİ / GLASS CUTTING SIZES (24mm CAM İÇİN / 24mm Glazing)		
KOD / Code	TANIMI / Description	KESİM ÖLÇÜSÜ / Cutting Dimensions
GW	HAREKETLİ KANAT CAM GENİŞLİK / Sash Glass Width	SW-172mm
GH	HAREKETLİ KANAT CAM YÜKSEKLİK / Sash Glass Height	SH-172mm
GW	SABİT KISIM CAM GENİŞLİK / Fixed Glass Width	SW-172mm (FW/2-91mm)
FGH	SABİT KISIM CAM YÜKSEKLİK / Fixed Glass Height	FH - 64mm

HAREKETLİ KANADI İÇERİDE OLAN MONORAIL SİSTEM - CAM YATAY ÖLÇÜLERİ EŞİT OLMASINA GÖRE
MONORAIL SYSTEM WITH SLIDING SASH INSIDE - ACCORDING TO THE EQUAL GLASS DIMENSIONS BOTH SASH AND FIXED PART



NOT: LS60 04 KASA, CAM KALINLIĞI 24mm DEN FAZLA OLAN CAMLARIN
MONTAJI İÇİN UYGUN DEĞİLDİR
LS60 04 FRAME, NOT SUITABLE FOR INSTALLATION
FOR GLASSES WITH GLASS THICKNESS MORE THAN 24mm



PROFİLLER / PROFILES					
NO / Number	ADET / Unit	KOD / Code	PROFİL ÇİZİMİ / Drawing	PROFİL TANIMI / Description	KESİM ÖLÇÜSÜ / Cutting Dimensions
1	2	LS60 04 LS60 104		DÜŞEY KASA PROFİLİ / Vertical Frame Profile	FH
2	2	LS60 04 LS60 104		YATAY KASA PROFİLİ / Horizontal Frame Profile	FW
3	4	LS60 11		DÜŞEY KANAT PROFİLİ / Vertical Sash Profile	SH=FH-67mm
4	4	LS60 11		YATAY KANAT PROFİLİ / Horizontal Sash Profile	SW=FW/4+66 mm
5	2	LS60 11		ORTA KAYIT PROFİLİ / Transom Locking Profile	FH-43mm
6	1	LS60 41		ADAPTÖR PROFİLİ / Adapter Profil	SH-50mm
7	2	LS60 42		KENET PROFİLİ / Central Locking Profile	LS60 42=SH-6mm
8	2	LS60 42		ORTA KAYIT KENET PROFİLİ / Transom Cover Profile	FH - 88mm
9	1	LS60 31		ÜST KAPAK PROFİLİ / Top Cover Profile	CW=FW/2 - 41 mm
10	1	LS60 32 LS60 31		ALT KAPAK PROFİLİ / Bottom Cover Profile	CW=FW/2 - 41 mm
11	4	11-0xx		KANAT DÜŞEY CAM ÇİTASI / Sash Vertical Glazing Bead	G1=SH-203mm
12	4	11-0xx		KANAT YATAY CAM ÇİTASI / Sash Horizontal Glazing Bead	G2=SW-159mm
13	4	11-0xx		SABİT DÜŞEY CAM ÇİTASI / Fixed Vertical Glazing Bead	G3=FH-87mm
14	4	11-0xx		SABİT YATAY CAM ÇİTASI / Fixed Horizontal Glazing Bead	G4=FW/4-81mm
15	4	MO60-10		KENET PVC PROFİLİ / Central Locking PVC Profile	SH
16	2	MO60-07		YATAY KASA KANAL PVC / Horizontal PVC Channel Profile	FW
17	2	MO60-07		DÜŞEY KASA KANAL PVC / Vertical PVC Channel Profile	FH
18	1	ASI-INR 03		ÇELİK RAY PROFİLİ / Steel Rail Profile	FW-84mm

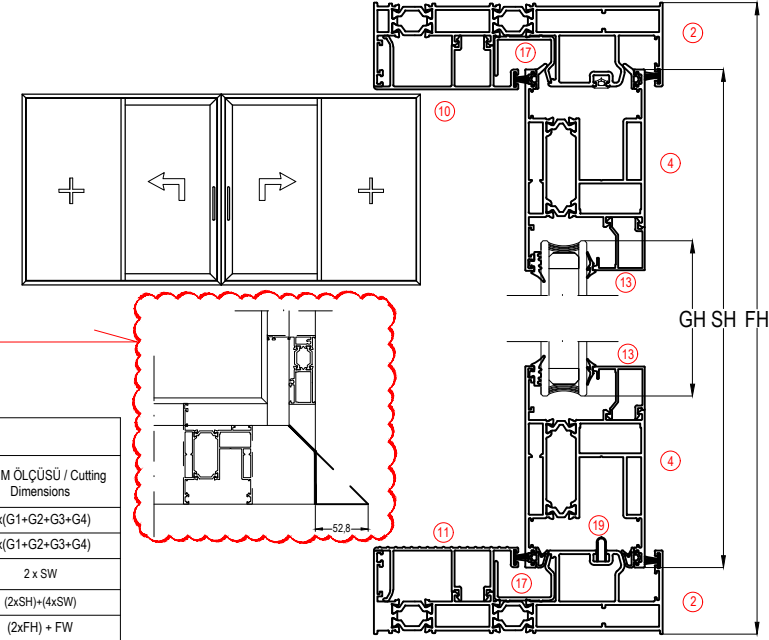
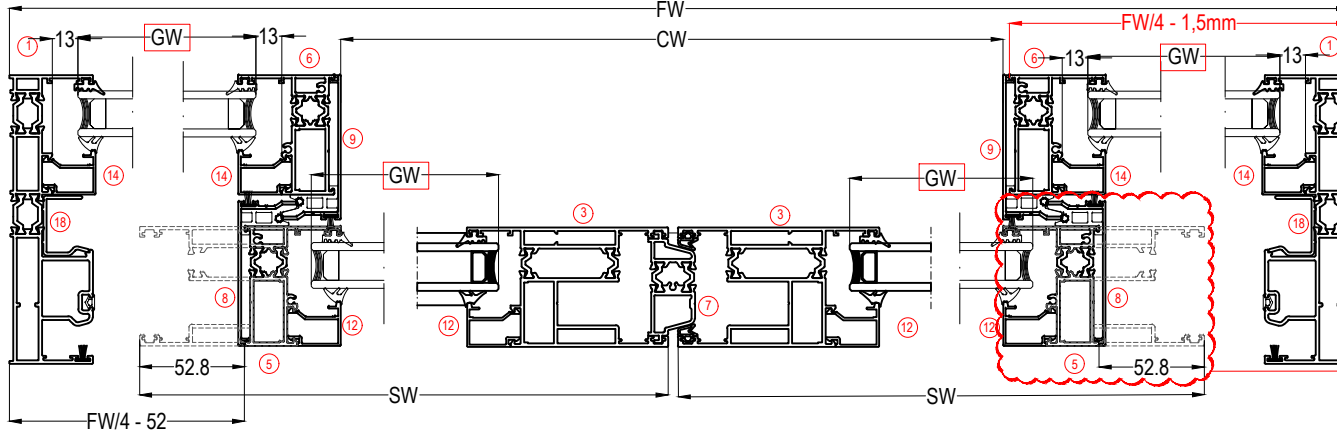
FİTİLLER / GASKETS				
MİKTAR / Unit	KOD / Code	PROFİL ÇİZİMİ / Drawing	PROFİL TANIMI / Description	KESİM ÖLÇÜSÜ / Cutting Dimensions
mt	EP1-01		DIŞ CAM FİTİLİ / Outer Glazing Gasket	4x(G1+G2+G3+G4)
mt	EP2-01		İÇ CAM FİTİLİ / Inner Glazing Gasket	4x(G1+G2+G3+G4)
mt	EP60-03		KANAT ÜST FİTİLİ / Sash Gasket	4 x SW
mt	EP60-R04		KENET FİTİLİ / Central Locking Gasket	4 x SH
mt	EP60-05		KANAT FİTİLİ / Sash Gasket	(2xSH)+(4xSW)
mt	EP38-02		KASA FİTİLİ / Frame Gasket	(2xFH) + FW
mt	KF 67-600		FİRÇA FİTİL / Brush Gasket - 6mm	8xSH
mt	KF 67-700		FİRÇA FİTİL / Brush Gasket - 7mm	(2xFH)+(2xFW)+(2xCW)

AKSESUARLAR / ACCESSORIES				
2 Adet / Pcs	MO60-01		ALT KENET KAPAĞI / Interlock Profile Cap-Bottom	
2 Adet / Pcs	MO60-02		ÜST KENET KAPAĞI / Interlock Profile Cap-Top	
2 Adet / Pcs	MO60-03		MO60-10 ALT KAPAK PROFİLİ / Bottom Cover Profile	
2 Adet / Pcs	MO60-04		MO60-10 ÜST KAPAK PROFİLİ / Top Cover Profile	
2 Adet / Pcs	MO60-05D		ALT HAVA KESİCİ / Central Sealing - Bottom	
2 Adet / Pcs	MO60-06D		ÜST HAVA KESİCİ / Central Sealing - Top	
2 Adet / Pcs	MO60-12		ADAPTÖR KAPAĞI / Adapter Cover	
8 Adet / Pcs	MO60-13		KANAT DENGELEME PLASTİĞİ / Sash Stabilization Spacer	
4 Adet / Pcs	LS60-DB 3560		KANAT SABİTLEME PARÇASI / Sash Fixing Part	
32 Adet / Pcs	ASI-SB 19.1		KÖŞE GÖNYESİ / Corner Alignment	
8 Adet / Pcs	ASI-PB 1126 ASI-KT 1126		KÖŞE TAKOZU veya PİMLİ BAĞLANTI / Pres Corner Joint or Pin	
8 Adet / Pcs	ASI-KT 1429		KÖŞE TAKOZU / Pres Corner Joint	
16 Adet / Pcs	ASI-KT 2307		KÖŞE TAKOZU / Pres Corner Joint	
1 Takım / Set	LS60-MEK1D		KALDIR-SÜR MEKANİZMASI / Lift&Slide Mechanism	

CAM KESİM ÖLÇÜLERİ / GLASS CUTTING SIZES (24mm CAM İÇİN / 24mm Glazing)

KOD / Code	TANIMI / Description	KESİM ÖLÇÜSÜ / Cutting Dimensions
GW	CAM GENİŞLİK / Glass Width	SW/4-106mm
GH	HAREKETLİ KANAT CAM YÜKSEKLİK / Sash Glass Height	SH-172mm
FGH	SABİT KISIM CAM YÜKSEKLİK / Fixed Glass Height	FH - 64mm

HAREKETLİ KANADI İÇERİDE OLAN MONORAIL SİSTEM - CAM YATAY ÖLÇÜLERİ EŞİT OLMASINA GÖRE
MONORAIL SYSTEM WITH SLIDING SASH INSIDE - ACCORDING TO THE EQUAL GLASS DIMENSIONS BOTH SASH AND FIXED PART



PROFİLLER / PROFILES					
NO / Number	ADET / Unit	KOD / Code	PROFİL ÇİZİMİ / Drawing	PROFİL TANIMI / Description	KESİM ÖLÇÜSÜ / Cutting Dimensions
1	2	LS60 04 LS60 104		DÜŞEY KASA PROFİLİ / Vertical Frame Profile	FH
2	2	LS60 04 LS60 104		YATAY KASA PROFİLİ / Horizontal Frame Profile	FW
3	2	LS60 11		DÜŞEY KANAT PROFİLİ / Vertical Sash Profile	SH=FW/4+67mm
4	4	LS60 11		YATAY KANAT PROFİLİ / Horizontal Sash Profile	SW=FW/4 + 96,9 mm
5	2	LS60 112 LS60 113		ORTA KAYIT KENET PROFİLİ / Transom Locking Profile	LS60 112 = FH+43mm LS60 113 = FH
6	2	LS60 112 LS60 113		DÜŞEY KANAT PROFİLİ / Vertical Sash Profile	SH -105,5 mm
7	1	LS60 41		ADAPTÖR PROFİLİ / Adapter Profile	LS60 41=SH-50mm
8	2	LS60 45		KENET PROFİLİ / Central Locking Profile	LS40 42=SH
9	2	LS60 45		ORTA KAYIT KENET PROFİLİ / Transom Cover Profile	FH-43mm
10	1	LS60 31		ÜST KAPAK PROFİLİ / Top Cover Profile	CW=FW/2 - 4 mm
11	1	LS60 32 LS60 31		ALT KAPAK PROFİLİ / Bottom Cover Profile	CW=FW/2 - 4 mm
12	4	11-0xx		KANAT DÜŞEY CAM ÇİTASI / Sash Vertical Glazing Bead	G1=SH-203mm
13	4	11-0xx		KANAT YATAY CAM ÇİTASI / Sash Horizontal Glazing Bead	G2=SW-159mm
14	4	11-0xx		SABİT DÜŞEY CAM ÇİTASI / Fixed Vertical Glazing Bead	G3=FW - 86,6mm
15	4	11-0xx		SABİT YATAY CAM ÇİTASI / Fixed Horizontal Glazing Bead	G4=FW/4 - 49,5 mm
16	4	MO60-11		KENET PVC PROFİL / Central Locking PVC Profile	SH
17	2	MO60-07		YATAY KASA KANAL PVC / Horizontal PVC Channel Profile	FW
18	2	MO60-07		DÜŞEY KASA KANAL PVC / Vertical PVC Channel Profile	FH
19	1	ASH-NR 03		ÇELİK RAY PROFİLİ / Steel Rail Profile	FW-84mm

FİTİLLER / GASKETS				
MİKTAR / Unit	KOD / Code	PROFİL ÇİZİMİ / Drawing	PROFİL TANIMI / Description	KESİM ÖLÇÜSÜ / Cutting Dimensions
mt	EP1-01		DIŞ CAM FİTİLİ / Outer Glazing Gasket	2x(G1+G2+G3+G4)
mt	EP2-01		İÇ CAM FİTİLİ / Inner Glazing Gasket	2x(G1+G2+G3+G4)
mt	EP60-03		KANAT ÜST FİTİLİ / Sash Gasket	2 x SW
mt	EP60-05		KANAT FİTİLİ / Sash Gasket	(2xSH)+(4xSW)
mt	INT1-01		KASA FİTİLİ / Frame Gasket	(2xFH) + FW
mt	EP5-01		KANAL FİTİLİ / Adapter Gasket	4 x SH
mt	KF 67-600		FİRÇA FİTİL / Brush Gasket - 6mm	4xSH
mt	KF 67-700		FİRÇA FİTİL / Brush Gasket - 7mm	(2xFH)+(2xFW)+(2xCW)
mt	EP38-03		SABİT ÇİTA FİTİLİ / Fixed Frame Gasket	(2xCW)

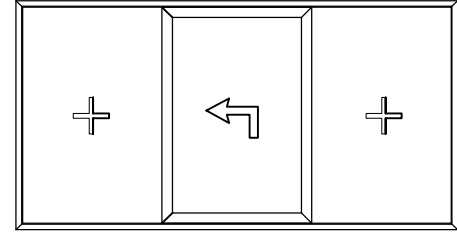
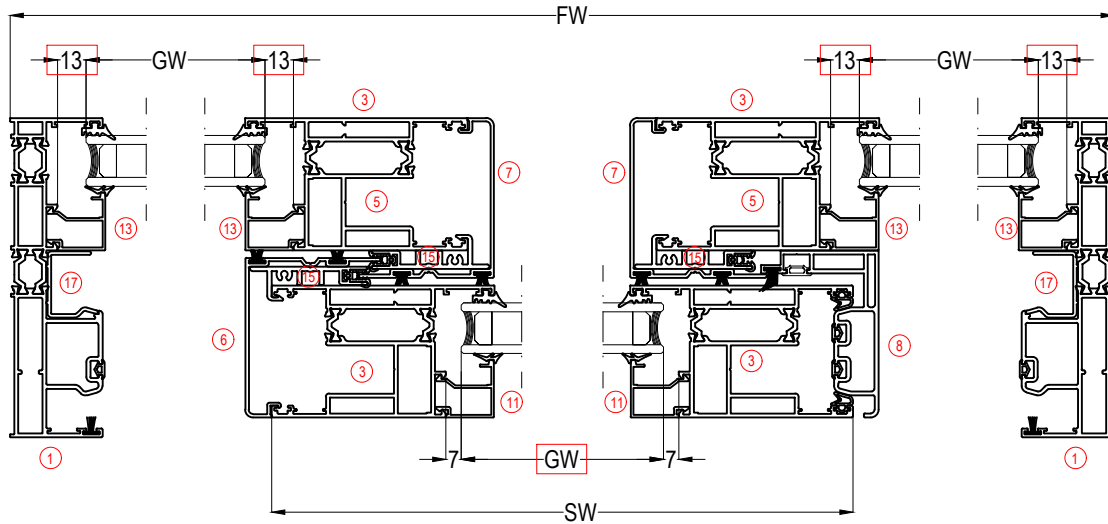
AKSESUARLAR / ACCESSORIES				
2 Adet / Pcs	MO60-01		ALT KENET KAPAĞI / Interlock Profile Cap-Bottom	
2 Adet / Pcs	MO60-02		ÜST KENET KAPAĞI / Interlock Profile Cap-Top	
2 Adet / Pcs	MO60-05D		ALT HAVA KESİCİ / Central Sealing - Bottom	
2 Adet / Pcs	MO60-06D		ÜST HAVA KESİCİ / Central Sealing - Top/Bottom	
8 Adet / Pcs	MO60-13		KANAT DENGELEME PLASTİĞİ / Sash Stabilization Spacer	
4 Adet / Pcs	ASI-P-100		ORTA KANAT SABİTLEME PARÇASI / Sash Fixing	
24 Adet / Pcs	ASI-SB 19.1		KÖŞE GÖNYESİ / Corner Alignment	
8 Adet / Pcs	ASI-PB 1126 ASI-KT 1126		KASA KÖŞE TAKOZU veya PİMLİ BAĞLANTI / Frame Corner Joint Pres or Button	
8 Adet / Pcs	ASI-KT 1429		KÖŞE TAKOZU / Pres Corner Joint	
8 Adet / Pcs	ASI-KT 2307		KÖŞE TAKOZU / Pres Corner Joint	
1 Takım / Set	LS60-MEK1D		KALDIR-SÜR MEKANİZMASI / Lift&Slide Mechanism	

CAM KESİM ÖLÇÜLERİ / GLASS CUTTING SIZES (24mm CAM İÇİN/ 24mm Glazing)

KOD / Code	TANIMI / Description	KESİM ÖLÇÜSÜ / Cutting Dimensions
GW	HAREKETLİ KANAT CAM GENİŞLİK / Sash Glass Width	FW/4 - 75 mm
GH	HAREKETLİ KANAT CAM YÜKSEKLİK / Sash Glass Height	SH - 172 mm
GW	SABİT KISIM CAM GENİŞLİK / Fixed Glass Width	FW/4 - 75 mm
FGH	SABİT KISIM CAM YÜKSEKLİK / Fixed Glass Height	FH - 64 mm

NOT: LS60 04 KASA, CAM KALINLIĞI 24mm DEN FAZLA OLAN CAMLARIN MONTAJI İÇİN UYGUN DEĞİLDİR
LS60 04 FRAME, NOT SUITABLE FOR INSTALLATION FOR GLASSES WITH GLASS THICKNESS MORE THAN 24mm

HAREKETLİ KANADI İÇERİDE OLAN MONORAIL SİSTEM - CAM YATAY ÖLÇÜLERİ EŞİT OLMASINA GÖRE
MONORAIL SYSTEM WITH SLIDING SASH INSIDE - ACCORDING TO THE EQUAL GLASS DIMENSIONS BOTH SASH AND FIXED PART

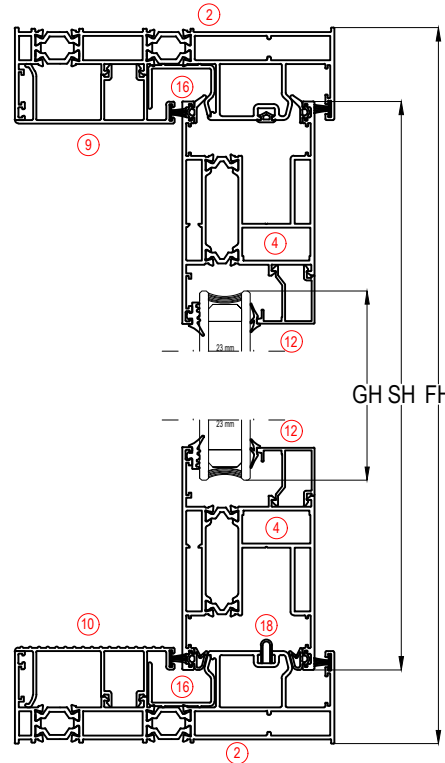


CAM KESİM ÖLÇÜLERİ / GLASS CUTTING SIZES (24mm CAM İÇİN / 24mm Glazing)

KOD / Code	TANIMI / Description	KESİM ÖLÇÜSÜ / Cutting Dimensions
GW	HAREKETLİ KANAT CAM GENİŞLİK / Sash Glass Width	SW-172mm
GH	HAREKETLİ KANAT CAM YÜKSEKLİK / Sash Glass Height	SH-172mm
GW	SABİT KISIM CAM GENİŞLİK / Fixed Glass Width	SW-172mm (FW/3-82mm)
FGH	SABİT KISIM CAM YÜKSEKLİK / Fixed Glass Height	FH - 64mm

PROFİLLER / PROFILES

NO / Number	ADET / Unit	KOD / Code	PROFİL ÇİZİMİ / Drawing	PROFİL TANIMI / Description	KESİM ÖLÇÜSÜ / Cutting Dimensions
1	2	LS60 04 LS60 104		DÜŞEY KASA PROFİLİ / Vertical Frame Profile	FH
2	2	LS60 04 LS60 104		YATAY KASA PROFİLİ / Horizontal Frame Profile	FW
3	2	LS60 11		DÜŞEY KANAT PROFİLİ / Vertical Sash Profile	SH=FW-67mm
4	2	LS60 11		YATAY KANAT PROFİLİ / Horizontal Sash Profile	SW=FW/3+89,8 mm
5	2	LS60 11		ORTA KAYIT PROFİLİ / Transom Locking Profile	TH=FW-43mm
6	1	LS60 42		KENET PROFİLİ / Central Locking Profile	LS60 42=SH-6mm
7	2	LS60 42		ORTA KAYIT KENET PROFİLİ / Transom Cover Profile	FH - 88mm
8	1	LS60 43		3'LÜ KANAT ADAPTÖR PROFİLİ / Adapter Profile	LS40 43=SH
9	1	LS60 31		ÜST KAPAK PROFİLİ / Top Cover Profile	CW=FW/3 - 88,5 mm
10	1	LS60 32		ALT KAPAK PROFİLİ / Bottom Cover Profile	CW=FW/3 - 88,5 mm
11	2	11-0xx		DÜŞEY CAM ÇİTASI / Vertical Glazing Bead	G1=SH - 203mm
12	2	11-0xx		YATAY CAM ÇİTASI / Horizontal Glazing Bead	G2=SW - 158mm
13	4	11-0xx		SABİT DÜŞEY CAM ÇİTASI / Fixed Vertical Glazing Bead	G3=FW-84mm
14	4	11-0xx		SABİT YATAY CAM ÇİTASI / Fixed Horizontal Glazing Bead	G4=FW/3 - 56,5mm
15	3	MO60-10		KENET PVC PROFİLİ / Central Locking PVC Profile	SH
16	2	MO60-07		YATAY KASA KANAL PVC / Horizontal PVC Channel Profile	FW
17	2	MO60-07		DÜŞEY KASA KANAL PVC / Vertical PVC Channel Profile	FH
18	1	ASH-NR 03		ÇELİK RAY PROFİLİ / Steel Rail Profile	FW-84mm



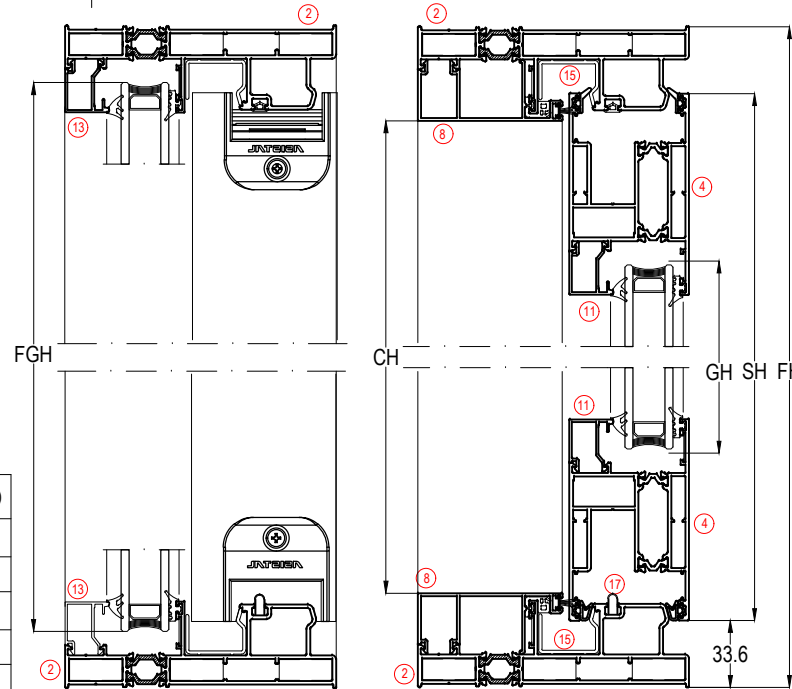
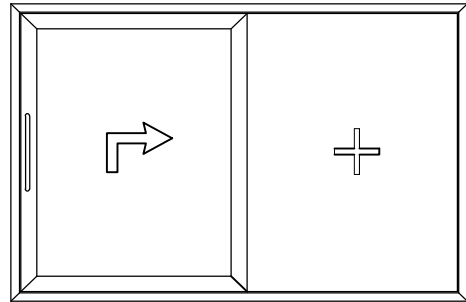
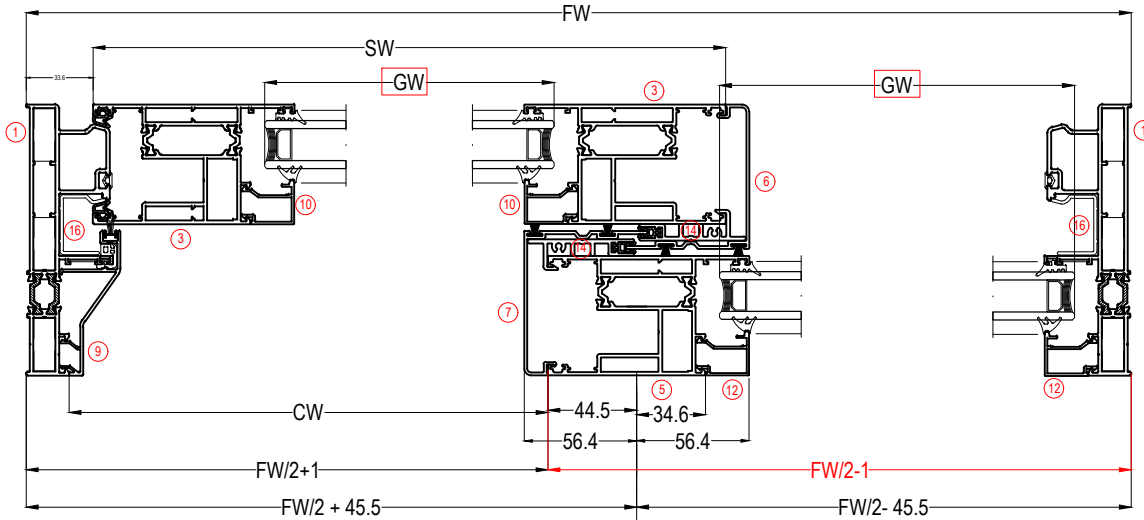
FİTİLLER / GASKETS

MİKTAR / Unit	KOD / Code	PROFİL ÇİZİMİ / Drawing	PROFİL TANIMI / Description	KESİM ÖLÇÜSÜ / Cutting Dimensions
mt	EP1-01		DIŞ CAM FİTİLİ / Outer Glazing Gasket	2x(G1+G2)+4x(G3+G4)
mt	EP2-01		İÇ CAM FİTİLİ / Inner Glazing Gasket	2x(G1+G2)+4x(G3+G4)
mt	EP60-R04		KENET FİTİLİ / Central Locking Gasket	3 x SH
mt	EP38-02		KASA FİTİLİ / Frame Gasket	(2xFH) + (1xFW) + (2xSH)
mt	INT1-02		KENET FİTİLİ / LS60 43 Locking Gasket	1 x SH
mt	EP60-03		KANAT ÜST FİTİLİ / Sash Gasket	2 x SW
mt	EP60-05		KANAT FİTİLİ / Sash Gasket	(2xSH) + (2xSW)
mt	KF 67-600		FİRÇA FİTİLİ / Brush Gasket - 6mm	7 x SH
mt	KF 67-700		FİRÇA FİTİLİ / Brush Gasket - 7mm	(2xFH)+(3xFW)

AKSESUARLAR / ACCESSORIES

1 Adet / Pcs	MO60-01		ALT KENET KAPAĞI / Interlock Profile Cap-Bottom	
1 Adet / Pcs	MO60-02		ÜST KENET KAPAĞI / Interlock Profile Cap-Top	
2 Adet / Pcs	MO60-03		MO60-10 ALT KAPAK PROFİLİ / Bottom Cover Profile	
2 Adet / Pcs	MO60-04		MO60-10 ÜST KAPAK PROFİLİ / Top Cover Profile	
2 Adet / Pcs	MO60-05D		ALT HAVA KESİCİ / Central Sealing - Bottom	
2 Adet / Pcs	MO60-06D		ÜST HAVA KESİCİ / Central Sealing - Top	
4 Adet / Pcs	MO60-13		KANAT DENGELEME PLASTİĞİ / Sash Stabilization Spacer	
4 Adet / Pcs	LS60-DB 3560		KANAT SABİTLEME PARÇASI / Sash Fixing Part	
20 Adet / Pcs	ASI-SB 19.1		KÖŞE GÖNYESİ / Corner Alignment	
8 Adet / Pcs	ASI-PB 1126 ASI-KT 1126		KÖŞE TAKOZU veya PİMLİ BAĞLANTI / Pres Corner Joint or Pin	
4 Adet / Pcs	ASI-KT 1429		KÖŞE TAKOZU / Pres Corner Joint	
8 Adet / Pcs	ASI-KT 2307		KÖŞE TAKOZU / Pres Corner Joint	
1 Takım / Set	LS60-MEK1		KALDIR-SÜR MEKANİZMASI / Lift&Slide Mechanism	

HAREKETLİ KANADI DIŞARIDA OLAN MONORAYİL SİSTEM - CAM YATAY ÖLÇÜLERİ EŞİT OLMASINA GÖRE
MONORAIL SYSTEM WITH SLIDING SASH OUTSIDE - ACCORDING TO THE EQUAL GLASS DIMENSIONS BOTH SASH AND FIXED PART



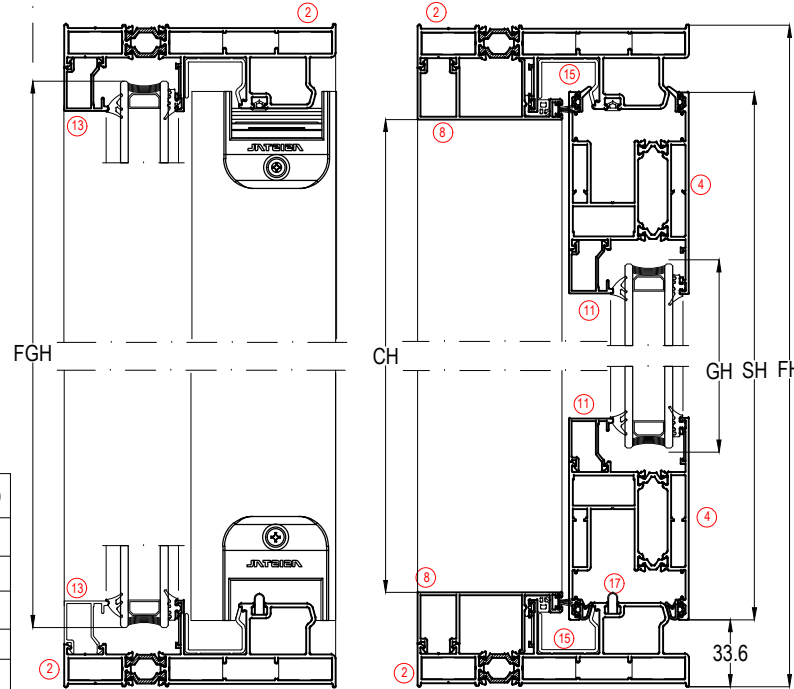
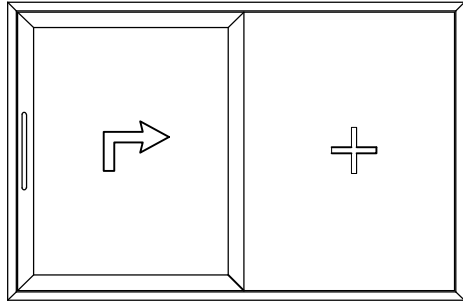
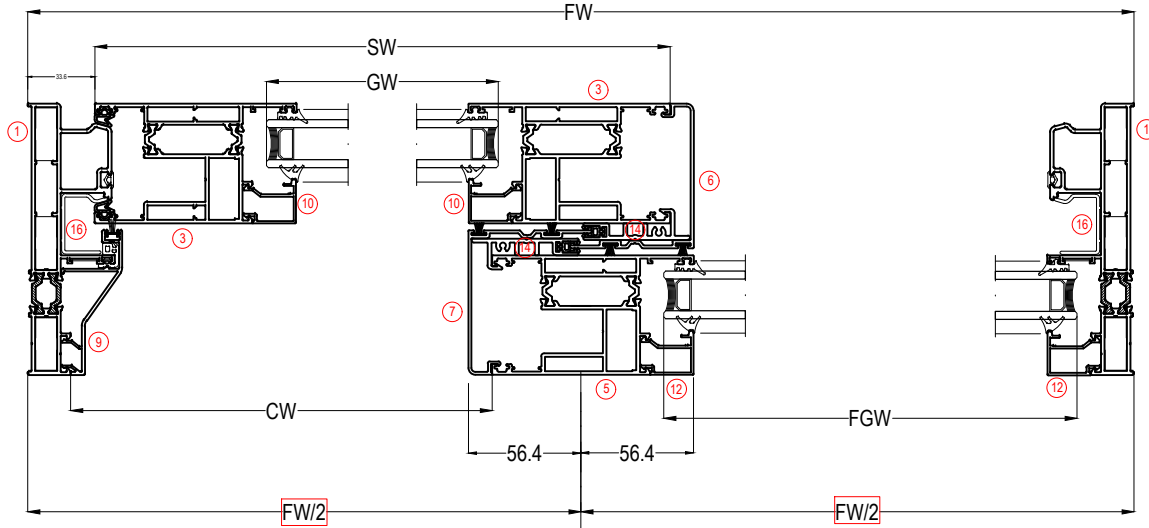
CAM KESİM ÖLÇÜLERİ / GLASS CUTTING SIZES (24mm CAM İÇİN/ 24mm Glazing)		
KOD / Code	TANIMI / Description	KESİM ÖLÇÜSÜ / Cutting Dimensions
GW	HAREKETLİ KANAT CAM GENİŞLİK / Sash Glass Width	SW - 172 mm
GH	HAREKETLİ KANAT CAM YÜKSEKLİK / Sash Glass Height	SH - 172 mm
GW	SABİT KISIM CAM GENİŞLİK / Fixed Glass Width	SW - 172 mm (FW/2-101,5)
FGH	SABİT KISIM CAM YÜKSEKLİK / Fixed Glass Height	FH - 57 mm

PROFİLLER / PROFILES					
NO / Number	ADET / Unit	KOD / Code	PROFİL ÇİZİMİ / Drawing	PROFİL TANIMI / Description	KESİM ÖLÇÜSÜ / Cutting Dimensions
1	2	LS60 118 LS60 119		DÜŞEY KASA PROFİLİ / Vertical Frame Profile	FH
2	2	LS60 118 LS60 119		YATAY KASA PROFİLİ / Horizontal Frame Profile	FW
3	2	LS60 11		DÜŞEY KANAT PROFİLİ / Vertical Sash Profile	SH=FH-67 mm
4	2	LS60 11		YATAY KANAT PROFİLİ / Horizontal Sash Profile	SW=FW/2 + 56,5 mm
5	1	LS60 11		ORTA KAYIT PROFİLİ / Transom Locking Profile	FH - 43mm
6	1	LS60 42		KENET PROFİLİ / Central Locking Profile	LS60 42=SH-6mm
7	1	LS60 42		ORTA KAYIT KENET PROFİLİ / Transom Cover	FH - 43mm
8	2	LS60 40		ALT-ÜST KAPAK PROFİLİ / Top/Bottom Cover Profile	CW=FW/2 - 21 mm
9	1	LS60 46		YAN KAPAK PROFİLİ / Side Cover Profile	CH=FH - 95 mm
10	2	11-0xx		KANAT DÜŞEY CAM ÇİTASI / Sash Vertical Glazing Bead	G1=SH - 202 mm
11	2	11-0xx		KANAT YATAY CAM ÇİTASI / Sash Horizontal Glazing Bead	G2=SW - 159 mm
12	2	11-0xx		SABİT DÜŞEY CAM ÇİTASI / Fixed Vertical Glazing Bead	G3=FW - 87 mm
13	2	11-0xx		SABİT YATAY CAM ÇİTASI / Fixed Horizontal Glazing Bead	G4=FW/2 - 101,5 mm
14	2	MO60-10		KENET PVC PROFİL / Central Locking PVC Profile	SH
15	2	MO60-07		YATAY KASA KANAL PVC / Horizontal PVC Channel Profile	FW
16	2	MO60-07		DÜŞEY KASA KANAL PVC / Vertical PVC Channel Profile	FH
17	1	ASI-INR 02		ÇELİK RAY PROFİLİ / Steel Rail Profile	FW-84 mm

FİTİLLER / GASKETS				
MİKTAR / Unit	KOD / Code	PROFİL ÇİZİMİ / Drawing	PROFİL TANIMI / Description	KESİM ÖLÇÜSÜ / Cutting Dimensions
mt	EP1-01		DIŞ CAM FİTİLİ / Outer Glazing Gasket	2x(G1+G2+G3+G4)
mt	EP2-01		İÇ CAM FİTİLİ / Inner Glazing Gasket	2x(G1+G2+G3+G4)
mt	EP60-R04		KENET FİTİLİ / Central Locking Gasket	2 x SH
mt	EP60-03		KANAT ÜST FİTİLİ / Sash Gasket	2 x SW
mt	EP60-05		KANAT FİTİLİ / Sash Gasket	(2xSH)+(2xSW)
mt	INT1-01		KASA FİTİLİ / Frame Gasket	(2xFH) + FW
mt	KF 67-600		FİRÇA FİTİL / Brush Gasket - 6mm	4xSH
mt	KF 67-700		FİRÇA FİTİL / Brush Gasket - 7mm	(2xFH)+(2xFW)+CH+(2xCW)
mt	EP38-03		SABİT ÇİTA FİTİLİ / Fixed Frame Gasket	CH + (2xCW)

AKSESUARLAR / ACCESSORIES				
1 Adet / Pcs	MO60-01		ALT KENET KAPAĞI / Interlock Profile Cap-Bottom	
1 Adet / Pcs	MO60-02		ÜST KENET KAPAĞI / Interlock Profile Cap-Top	
2 Adet / Pcs	MO60-03		MO60-10 ALT KAPAK PROFİLİ / Bottom Cover Profile	
2 Adet / Pcs	MO60-04		MO60-10 ÜST KAPAK PROFİLİ / Top Cover Profile	
1 Adet / Pcs	MO60-05D		ALT HAVA KESİCİ / Central Sealing - Bottom	
1 Adet / Pcs	MO60-06D		ÜST HAVA KESİCİ / Central Sealing - Top/Bottom	
4 Adet / Pcs	MO60-13		KANAT DENGELEME PLASTİĞİ / Sash Stabilization Spacer	
2 Adet / Pcs	LS60-DB 3560		KANAT SABİTLEME PARÇASI / Sash Fixing	
12 Adet / Pcs	ASI-SB 19.1		KÖŞE GÖNYESİ / Corner Alignment	
12 Adet / Pcs	ASI-PB 1126 ASI-KT 1126		KASA KÖŞE TAKOZU veya PİMLİ BAĞLANTI Frame Corner Joint Pres or Button	
4 Adet / Pcs	ASI-KT 1429		KÖŞE TAKOZU / Pres Corner Joint	
8 Adet / Pcs	ASI-KT 2307		KÖŞE TAKOZU / Pres Corner Joint	
1 Takım / Set	LS60-MEK1		KALDIR-SÜR MEKANİZMASI / Lift&Slide Mechanism	

HAREKETLİ KANADI DIŞARIDA OLAN MONORAIL SİSTEM - ORTA KENET KİLİTLEME, TAM ORTADA OLMASINA GÖRE
MONORAIL SYSTEM WITH SLIDING SASH OUTSIDE - ACCORDING TO THE EQUAL CENTRAL LOCKING POINT



CAM KESİM ÖLÇÜLERİ / GLASS CUTTING SIZES (24mm CAM İÇİN/ 24mm Glazing)

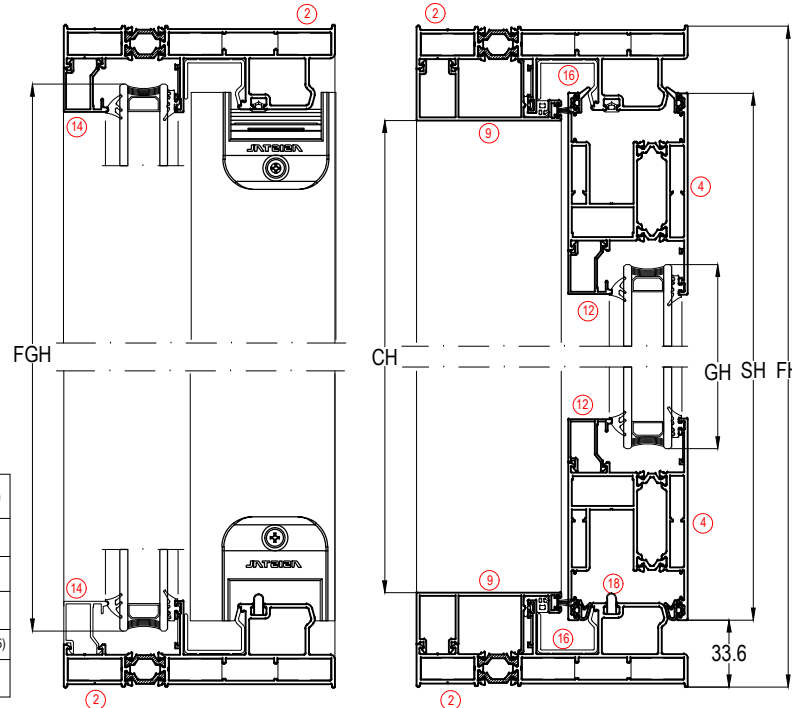
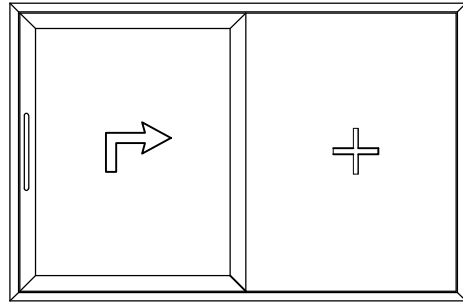
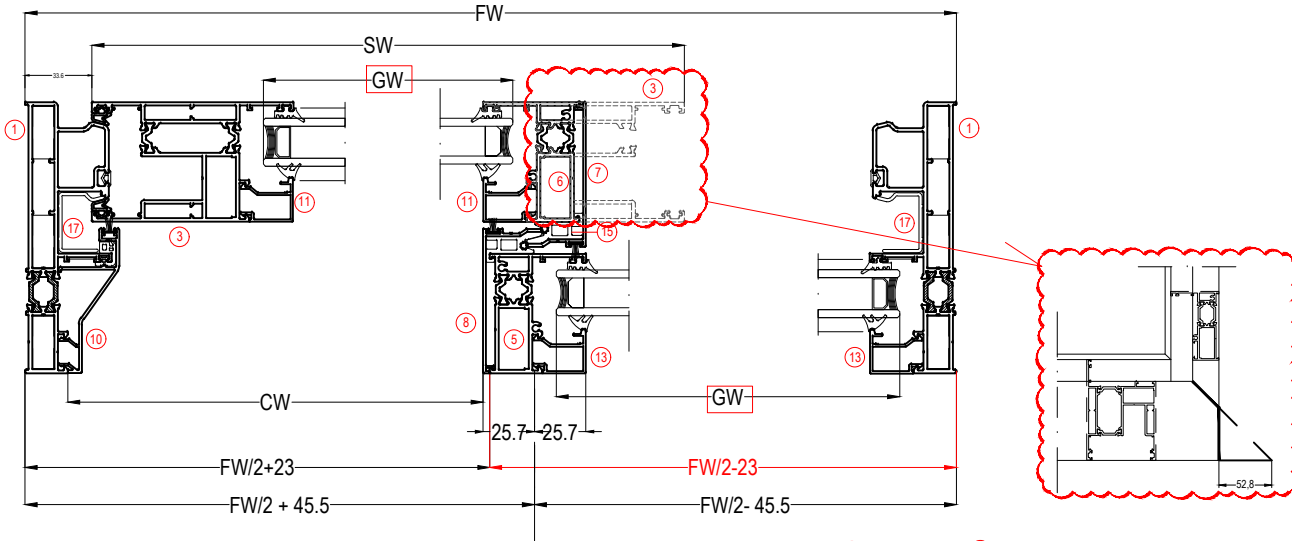
KOD / Code	TANIMI / Description	KESİM ÖLÇÜSÜ / Cutting Dimensions
GW	HAREKETLİ KANAT CAM GENİŞLİK / Sash Glass Width	SW - 172 mm
GH	HAREKETLİ KANAT CAM YÜKSEKLİK / Sash Glass Height	SH - 172 mm
FGW	SABİT KISIM CAM GENİŞLİK / Fixed Glass Width	FW/2 - 70 mm
FGH	SABİT KISIM CAM YÜKSEKLİK / Fixed Glass Height	FH - 53 mm

PROFİLLER / PROFILES					
NO / Number	ADET / Unit	KOD / Code	PROFİL ÇİZİMİ / Drawing	PROFİL TANIMI / Description	KESİM ÖLÇÜSÜ / Cutting Dimensions
1	2	LS60 118 LS60 119		DÜŞEY KASA PROFİLİ / Vertical Frame Profile	FH
2	2	LS60 118 LS60 119		YATAY KASA PROFİLİ / Horizontal Frame Profile	FW
3	2	LS60 11		DÜŞEY KANAT PROFİLİ / Vertical Sash Profile	SH=FW-67 mm
4	2	LS60 11		YATAY KANAT PROFİLİ / Horizontal Sash Profile	SW=FW/2+11 mm
5	1	LS60 11		ORTA KAYIT PROFİLİ / Transom Locking Profile	FH - 43mm
6	1	LS60 42		KENET PROFİLİ / Central Locking Profile	LS60 42=SH-6mm
7	1	LS60 42		ORTA KAYIT KENET PROFİLİ / Transom Cover	FH - 43mm
8	2	LS60 40		ALT-ÜST KAPAK PROFİLİ / Top/Bottom Cover Profile	CW=FW/2 - 66,5 mm
9	1	LS60 46		YAN KAPAK PROFİLİ / Side Cover Profile	CH=FH - 95 mm
10	2	11-0xx		KANAT DÜŞEY CAM ÇİTASI / Sash Vertical Glazing Bead	G1=SH - 202 mm
11	2	11-0xx		KANAT YATAY CAM ÇİTASI / Sash Horizontal Glazing Bead	G2=SW-159 mm
12	2	11-0xx		SABİT DÜŞEY CAM ÇİTASI / Fixed Vertical Glazing Bead	G3=FW - 87 mm
13	2	11-0xx		SABİT YATAY CAM ÇİTASI / Fixed Horizontal Glazing Bead	G4=FW/2 - 56 mm
14	2	MO60-10		KENET PVC PROFİLİ / Central Locking PVC Profile	SH
15	2	MO60-07		YATAY KASA KANAL PVC / Horizontal PVC Channel Profile	FW
16	2	MO60-07		DÜŞEY KASA KANAL PVC / Vertical PVC Channel Profile	FH
ÇELİK	1	ASH-INR 02		ÇELİK RAY PROFİLİ / Steel Rail Profile	FW-84 mm

FİTİLLER / GASKETS				
MİKTAR / Unit	KOD / Code	PROFİL ÇİZİMİ / Drawing	PROFİL TANIMI / Description	KESİM ÖLÇÜSÜ / Cutting Dimensions
mt	EP1-01		DIŞ CAM FİTİLİ / Outer Glazing Gasket	2x(G1+G2+G3+G4)
mt	EP2-01		İÇ CAM FİTİLİ / Inner Glazing Gasket	2x(G1+G2+G3+G4)
mt	EP60-R04		KENET FİTİLİ / Central Locking Gasket	2 x SH
mt	EP60-03		KANAT ÜST FİTİLİ / Sash Gasket	2 x SW
mt	EP60-05		KANAT FİTİLİ / Sash Gasket	(2xSH)+(2xSW)
mt	INT1-01		KASA FİTİLİ / Frame Gasket	(2xFH) + FW
mt	KF 67-600		FİRÇA FİTİL / Brush Gasket - 6mm	4xSH
mt	KF 67-700		FİRÇA FİTİL / Brush Gasket - 7mm	(2xFH)+(2xFW)+CH+(2xCW)
mt	EP38-03		SABİT ÇİTA FİTİLİ / Fixed Frame Gasket	CH + (2xCW)

AKSESUARLAR / ACCESSORIES				
1 Adet / Pcs	MO60-01		ALT KENET KAPAĞI / Interlock Profile Cap-Bottom	
1 Adet / Pcs	MO60-02		ÜST KENET KAPAĞI / Interlock Profile Cap-Top	
2 Adet / Pcs	MO60-03		MO60-10 ALT KAPAK PROFİLİ / Bottom Cover Profile	
2 Adet / Pcs	MO60-04		MO60-10 ÜST KAPAK PROFİLİ / Top Cover Profile	
1 Adet / Pcs	MO60-05D		ALT HAVA KESİCİ / Central Sealing - Bottom	
1 Adet / Pcs	MO60-06D		ÜST HAVA KESİCİ / Central Sealing - Top/Bottom	
4 Adet / Pcs	MO60-13		KANAT DENGELEME PLASTİĞİ / Sash Stabilization Spacer	
2 Adet / Pcs	LS60-DB 3560		KANAT SABİTLEME PARÇASI / Sash Fixing	
12 Adet / Pcs	ASI-SB 19.1		KÖŞE GÖNYESİ / Corner Alignment	
12 Adet / Pcs	ASI-PB 1126 ASH-KT 1126		KASA KÖŞE TAKOZU veya PİMLİ BAĞLANTI Frame Corner Joint Pres or Button	
4 Adet / Pcs	ASH-KT 1429		KÖŞE TAKOZU / Pres Corner Joint	
8 Adet / Pcs	ASH-KT 2307		KÖŞE TAKOZU / Pres Corner Joint	
1 Takım / Set	LS60-MEK1		KALDIR-SÜR MEKANİZMASI / Lift&Slide Mechanism	

HAREKETLİ KANADI DIŞARIDA OLAN MONORAIL SİSTEM - CAM YATAY ÖLÇÜLERİ EŞİT OLMASINA GÖRE
MONORAIL SYSTEM WITH SLIDING SASH OUTSIDE - ACCORDING TO THE EQUAL GLASS DIMENSIONS BOTH SASH AND FIXED PART



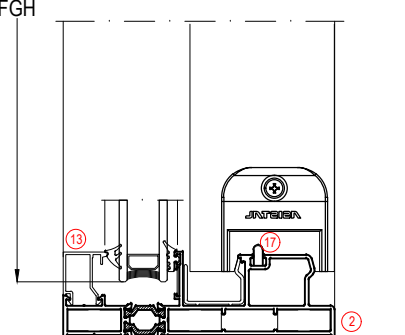
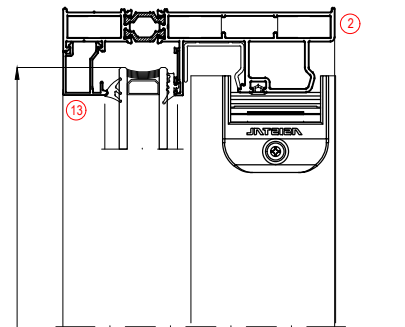
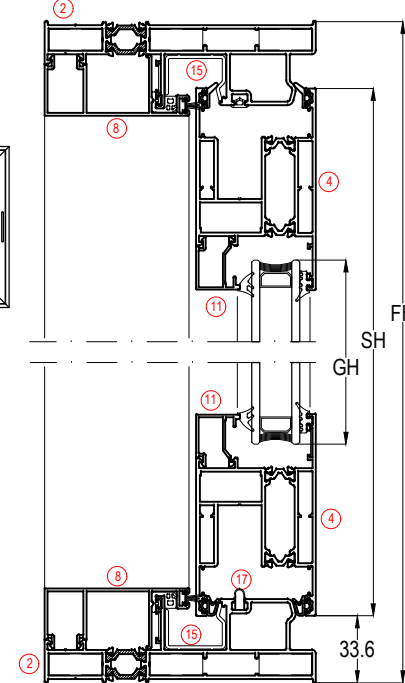
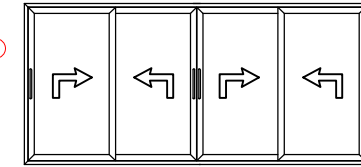
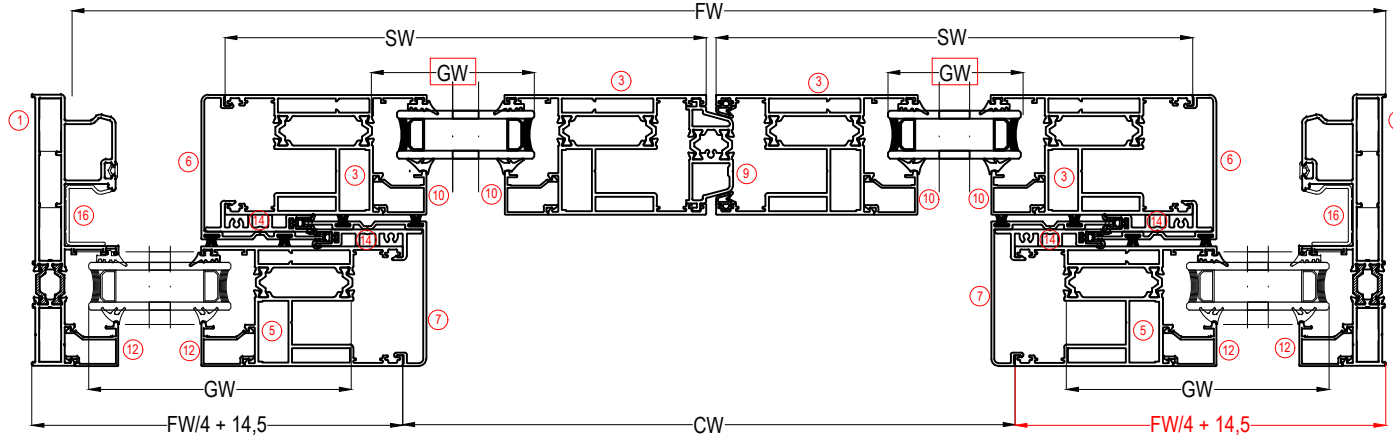
CAM KESİM ÖLÇÜLERİ / GLASS CUTTING SIZES (24mm CAM İÇİN/ 24mm Glazing)		
KOD / Code	TANIMI / Description	KESİM ÖLÇÜSÜ / Cutting Dimensions
GW	HAREKETLİ KANAT CAM GENİŞLİK / Sash Glass Width	SW - 172 mm
GH	HAREKETLİ KANAT CAM YÜKSEKLİK / Sash Glass Height	SH - 172 mm
GW	SABİT KISIM CAM GENİŞLİK / Fixed Glass Width	SW - 172 mm (FW/2-85)
FGH	SABİT KISIM CAM YÜKSEKLİK / Fixed Glass Height	FH - 57 mm

PROFİLLER / PROFILES					
NO / Number	ADET / Unit	KOD / Code	PROFİL ÇİZİMİ / Drawing	PROFİL TANIMI / Description	KESİM ÖLÇÜSÜ / Cutting Dimensions
1	2	LS60 118 LS60 119		DÜŞEY KASA PROFİLİ / Vertical Frame Profile	FH
2	2	LS60 118 LS60 119		YATAY KASA PROFİLİ / Horizontal Frame Profile	FW
3	1	LS60 11		DÜŞEY KANAT PROFİLİ / Vertical Sash Profile	SH=FW-67 mm
4	2	LS60 11		YATAY KANAT PROFİLİ / Horizontal Sash Profile	SW=FW/2 + 87 mm
5	1	LS60 112 LS60 113		ORTA KAYIT KENET PROFİLİ / Transom Locking Profile	FH - 43mm
6	1	LS60 112 LS60 113		DÜŞEY KANAT PROFİLİ / Vertical Sash Profile	SH-105,5 mm
7	1	LS60 45		KENET PROFİLİ / Central Locking Profile	SH
8	1	LS60 45		ORTA KAYIT KENET PROFİLİ / Transom Cover	FH - 43mm
9	2	LS60 40		ALT-ÜST KAPAK PROFİLİ / Top/Bottom Cover Profile	FW/2 - 2 mm
10	1	LS60 46		YAN KAPAK PROFİLİ / Side Cover Profile	FH - 95 mm
11	2	11-0xx		KANAT DÜŞEY CAM ÇİTASI / Sash Vertical Glazing Bead	G1=SH - 202 mm
12	2	11-0xx		KANAT YATAY CAM ÇİTASI / Sash Horizontal Glazing Bead	G2=SW - 159 mm
13	2	11-0xx		SABİT DÜŞEY CAM ÇİTASI / Fixed Vertical Glazing Bead	G3=FW - 87 mm
14	2	11-0xx		SABİT YATAY CAM ÇİTASI / Fixed Horizontal Glazing Bead	G4=FW/2 - 71 mm
15	2	MO60-11		KENET PVC PROFİLİ / Central Locking PVC Profile	SH
16	2	MO60-07		YATAY KASA KANAL PVC / Horizontal PVC Channel Profile	FW
17	2	MO60-07		DÜŞEY KASA KANAL PVC / Vertical PVC Channel Profile	FH
18	1	ASH-1NR 02		ÇELİK RAY PROFİLİ / Steel Rail Profile	FW-84 mm

FİTİLLER / GASKETS				
MİKTAR / Unit	KOD / Code	PROFİL ÇİZİMİ / Drawing	PROFİL TANIMI / Description	KESİM ÖLÇÜSÜ / Cutting Dimensions
mt	EP1-01		DIŞ CAM FİTİLİ / Outer Glazing Gasket	2x(G1+G2+G3+G4)
mt	EP2-01		İÇ CAM FİTİLİ / Inner Glazing Gasket	2x(G1+G2+G3+G4)
mt	EP5-01		KANAL FİTİLİ / Adapter Gasket	2 x SH
mt	EP6-03		KANAT ÜST FİTİLİ / Sash Gasket	2 x SW
mt	EP6-05		KANAT FİTİLİ / Sash Gasket	(2xSH)+(2xSW)
mt	INT1-01		KASA FİTİLİ / Frame Gasket	(2xFH) + FW
mt	KF 67-600		FİRÇA FİTİLİ / Brush Gasket - 6mm	2xSH
mt	KF 67-700		FİRÇA FİTİLİ / Brush Gasket - 7mm	(2xFH)+(2xFW)+CH+(2xCW)
mt	EP38-03		SABİT ÇİTA FİTİLİ / Fixed Frame Gasket	CH + (2xCW)

AKSESUARLAR / ACCESSORIES				
1 Adet / Pcs	MO60-01		ALT KENET KAPAĞI / Interlock Profile Cap-Bottom	
1 Adet / Pcs	MO60-02		ÜST KENET KAPAĞI / Interlock Profile Cap-Top	
1 Adet / Pcs	MO60-05D		ALT HAVA KESİCİ / Central Sealing - Bottom	
1 Adet / Pcs	MO60-06D		ÜST HAVA KESİCİ / Central Sealing - Top/Bottom	
4 Adet / Pcs	MO60-13		KANAT DENGELEME PLASTİĞİ / Sash Stabilization Spacer	
2 Adet / Pcs	ASI-P-100		ORTA KANAT SABİTLEME PARÇASI / Sash Fixing	
12 Adet / Pcs	ASI-SB 19.1		KÖŞE GÖNYESİ / Corner Alignment	
12 Adet / Pcs	ASI-PB 1126 ASI-KT 1126		KASA KÖŞE TAKOZU veya PİMLİ BAĞLANTI Frame Corner Joint Pres or Button	
4 Adet / Pcs	ASI-KT 1429		KÖŞE TAKOZU / Pres Corner Joint	
4 Adet / Pcs	ASI-KT 2307		KÖŞE TAKOZU / Pres Corner Joint	
1 Takım / Set	LS60-MEK1		KALDIR-SÜR MEKANİZMASI / Lift&Slide Mechanism	

HAREKETLİ KANADI DIŞARIDA OLAN MONORAIL SİSTEM - CAM YATAY ÖLÇÜLERİ EŞİT OLMASINA GÖRE
MONORAIL SYSTEM WITH SLIDING SASH OUTSIDE - ACCORDING TO THE EQUAL GLASS DIMENSIONS BOTH SASH AND FIXED PART



PROFİLLER / PROFILES

NO / Number	ADET / Unit	KOD / Code	PROFİL ÇİZİMİ / Drawing	PROFİL TANIMI / Description	KESİM ÖLÇÜSÜ / Cutting Dimensions
1	2	LS60 118 LS60 119		DÜŞEY KASA PROFİLİ / Vertical Frame Profile	FH
2	2	LS60 118 LS60 119		YATAY KASA PROFİLİ / Horizontal Frame Profile	FW
3	4	LS60 11		DÜŞEY KANAT PROFİLİ / Vertical Sash Profile	SH=FH-67 mm
4	4	LS60 11		YATAY KANAT PROFİLİ / Horizontal Frame Profile	SW=FW/4+72 mm
5	2	LS60 11		ORTA KAYIT PROFİLİ / Transom Locking Profile	FH - 43mm
6	2	LS60 42		KENET PROFİLİ / Central Locking Profile	LS60 42=SH-6mm
7	2	LS60 42		ORTA KAYIT KENET PROFİLİ / Transom Cover	FH - 43mm
8	2	LS60 40		ALT-ÜST KAPAK PROFİLİ / Top/Bottom Cover Profile	CW=FW/2 - 30,5 mm
9	1	LS60 41		ADAPTÖR PROFİLİ / Adapter Profili	SH - 50mm
10	4	11-0xx		KANAT DÜŞEY CAM ÇİTASI / Sash Vertical Glazing Bead	G1=SH - 202 mm
11	4	11-0xx		KANAT YATAY CAM ÇİTASI / Sash Horizontal Glazing Bead	G2=SW - 159 mm
12	4	11-0xx		SABİT DÜŞEY CAM ÇİTASI / Fixed Vertical Glazing Bead	G3=FH - 87 mm
13	4	11-0xx		SABİT YATAY CAM ÇİTASI / Fixed Horizontal Glazing Bead	G4=FW/4 - 86,5 mm
14	4	MO60-10		KENET PVC PROFİL / Central Locking PVC Profile	SH
15	2	MO60-07		YATAY KASA KANAL PVC / Horizontal PVC Channel Profile	FW
16	2	MO60-07		DÜŞEY KASA KANAL PVC / Vertical PVC Channel Profile	FH
17	1	ASH-İN2		ÇELİK RAY PROFİLİ / Steel Rail Profile	FW-84 mm

FİTİLLER / GASKETS

MİKTAR / Unit	KOD / Code	PROFİL ÇİZİMİ / Drawing	PROFİL TANIMI / Description	KESİM ÖLÇÜSÜ / Cutting Dimensions
mt	EP1-01		DIŞ CAM FİTİLİ / Outer Glazing Gasket	4x(G1+G2+G3+G4)
mt	EP2-01		İÇ CAM FİTİLİ / Inner Glazing Gasket	4x(G1+G2+G3+G4)
mt	EP60-R04		KENET FİTİLİ / Central Locking Gasket	4 x SH
mt	EP60-03		KANAT ÜST FİTİLİ / Sash Gasket	4 x SW
mt	EP60-05		KANAT FİTİLİ / Sash Gasket	(2xSH)+(4xSW)
mt	INT1-01		KASA FİTİLİ / Frame Gasket	(2xFH) + FW
mt	KF 67-600		FİRÇA FİTİL / Brush Gasket - 6mm	8xSH
mt	KF 67-700		FİRÇA FİTİL / Brush Gasket - 7mm	(2xCW)
mt	EP38-03		SABİT ÇİTA FİTİLİ / Fixed Frame Gasket	(2xCW)

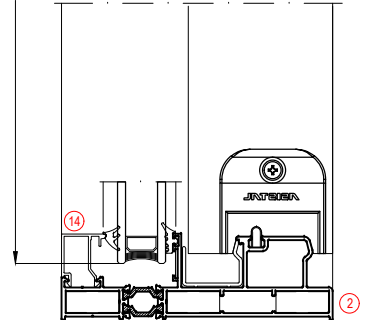
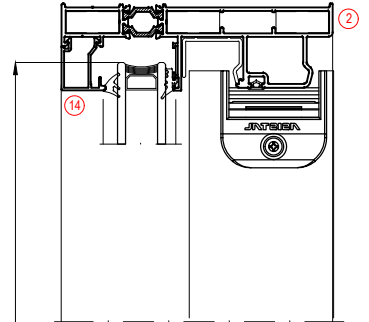
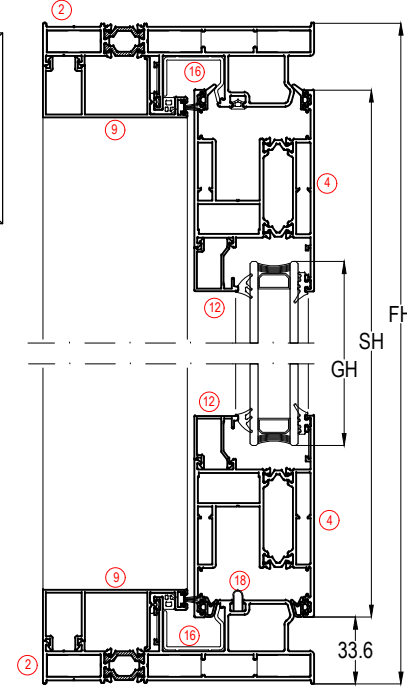
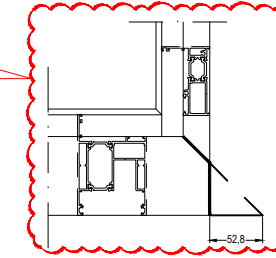
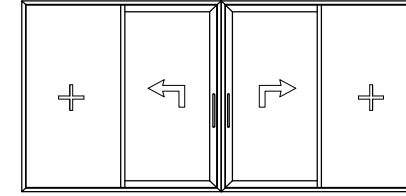
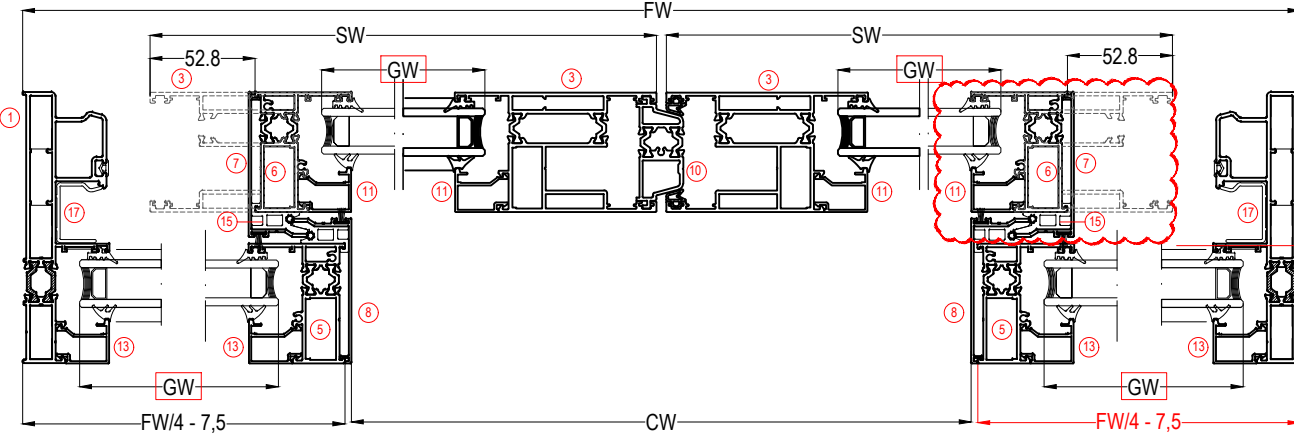
AKSESUARLAR / ACCESSORIES

2 Adet / Pcs	MO60-01		ALT KENET KAPAĞI / Interlock Profile Cap-Bottom	
2 Adet / Pcs	MO60-02		ÜST KENET KAPAĞI / Interlock Profile Cap-Top	
4 Adet / Pcs	MO60-03		MO60-10 ALT KAPAK PROFİLİ / Bottom Cover Profile	
4 Adet / Pcs	MO60-04		MO60-10 ÜST KAPAK PROFİLİ / Top Cover Profile	
2 Adet / Pcs	MO60-05D		ALT HAVA KESİCİ / Central Sealing - Bottom	
2 Adet / Pcs	MO60-06D		ÜST HAVA KESİCİ / Central Sealing - Top/Bottom	
8 Adet / Pcs	MO60-13		KANAT DENGEMELEME PLASTİĞİ / Sash Stabilization Spacer	
4 Adet / Pcs	LS60-DB 3560		KANAT SABİTLEME PARÇASI / Sash Fixing	
32 Adet / Pcs	ASI-SB 19.1		KÖŞE GÖNYESİ / Corner Alignment	
12 Adet / Pcs	ASI-PB 1126 ASH-KT 1126		KASA KÖŞE TAKOZU veya PİMLİ BAĞLANTI Frame Corner Joint Pres or Button	
8 Adet / Pcs	ASI-KT 1429		KÖŞE TAKOZU / Pres Corner Joint	
16 Adet / Pcs	ASI-KT 2307		KÖŞE TAKOZU / Pres Corner Joint	
1 Takım / Set	LS60-MEK1D		KALDIR-SÜR MEKANİZMASI / Lift&Slide Mechanism	

CAM KESİM ÖLÇÜLERİ / GLASS CUTTING SIZES (24mm CAM İÇİN/ 24mm Glazing)

KOD / Code	TANIMI / Description	KESİM ÖLÇÜSÜ / Cutting Dimensions
GW	HAREKETLİ KANAT CAM GENİŞLİK / Sash Glass Width	SW - 172 mm
GH	HAREKETLİ KANAT CAM YÜKSEKLİK / Sash Glass Height	SH - 172 mm
GW	SABİT KISIM CAM GENİŞLİK / Fixed Glass Width	SW - 172 mm (FW/4 - 69,5)
FGH	SABİT KISIM CAM YÜKSEKLİK / Fixed Glass Height	FH - 57 mm

HAREKETLİ KANADI DIŞARIDA OLAN MONORAYL SİSTEM - CAM YATAY ÖLÇÜLERİ EŞİT OLMASINA GÖRE
MONORAIL SYSTEM WITH SLIDING SASH OUTSIDE - ACCORDING TO THE EQUAL GLASS DIMENSIONS BOTH SASH AND FIXED PART



PROFİLLER / PROFILES					
NO / Number	ADET / Unit	KOD / Code	PROFİL ÇİZİMİ / Drawing	PROFİL TANIMI / Description	KESİM ÖLÇÜSÜ / Cutting Dimensions
1	2	LS60 118 LS60 119		DÜŞEY KASA PROFİLİ / Vertical Frame Profile	FH
2	2	LS60 118 LS60 119		YATAY KASA PROFİLİ / Horizontal Frame Profile	FW
3	1	LS60 11		DÜŞEY KANAT PROFİLİ / Vertical Sash Profile	SH=FH-67 mm
4	2	LS60 11		YATAY KANAT PROFİLİ / Horizontal Frame Profile	SW=FW/4 + 102,5 mm
5	1	LS60 112 LS60 113		ORTA KAYIT KENET PROFİLİ / Transom Locking Profile	FH - 43mm
6	1	LS60 112 LS60 113		DÜŞEY KANAT PROFİLİ / Vertical Sash Profile	SH-105,5 mm
7	1	LS60 45		KENET PROFİLİ / Central Locking Profile	SH
8	1	LS60 45		ORTA KAYIT KENET PROFİLİ / Transom Cover	FH - 43mm
9	2	LS60 40		ALT-ÜST KAPAK PROFİLİ / Top/Bottom Cover Profile	FW/2 + 8 mm
10	1	LS60 41		ADAPTÖR PROFİLİ / Adapter Profilii	SH - 50mm
11	2	11-0xx		KANAT DÜŞEY CAM ÇİTASI / Sash Vertical Glazing Bead	G1=SH - 202 mm
12	2	11-0xx		KANAT YATAY CAM ÇİTASI / Sash Horizontal Glazing Bead	G2=SW - 159 mm
13	2	11-0xx		SABİT DÜŞEY CAM ÇİTASI / Fixed Vertical Glazing Bead	G3=SH - 87 mm
14	2	11-0xx		SABİT YATAY CAM ÇİTASI / Fixed Horizontal Glazing Bead	G4=FW/4 - 56 mm
15	2	MO60-11		KENET PVC PROFİL / Central Locking PVC Profile	SH
16	2	MO60-07		YATAY KASA KANAL PVC / Horizontal PVC Channel Profile	FW
17	2	MO60-07		DÜŞEY KASA KANAL PVC / Vertical PVC Channel Profile	FH
18	1	ASH-IR02		ÇELİK RAY PROFİLİ / Steel Rail Profile	FW-84 mm

FİTİLLER / GASKETS					
MIKTAR / Unit	KOD / Code	PROFİL ÇİZİMİ / Drawing	PROFİL TANIMI / Description	KESİM ÖLÇÜSÜ / Cutting Dimensions	
mt	EP1-01		DIŞ CAM FİTİLİ / Outer Glazing Gasket	4x(G1+G2+G3+G4)	
mt	EP2-01		İÇ CAM FİTİLİ / Inner Glazing Gasket	4x(G1+G2+G3+G4)	
mt	EP5-01		KANAL FİTİLİ / Adapter Gasket	4 x SH	
mt	EP60-03		KANAT ÜST FİTİLİ / Sash Gasket	4 x SW	
mt	EP60-05		KANAT FİTİLİ / Sash Gasket	(2xSH)+(4xSW)	
mt	INT1-01		KASA FİTİLİ / Frame Gasket	(2xFH) + FW	
mt	KF 67-600		FİRÇA FİTİL / Brush Gasket - 6mm	4xSH	
mt	KF 67-700		FİRÇA FİTİL / Brush Gasket - 7mm	(2xCW)	
mt	EP38-03		SABİT ÇİTA FİTİLİ / Fixed Frame Gasket	(2xCW)	
AKSESUARLAR / ACCESSORIES					
2 Adet / Pcs	MO60-01		ALT KENET KAPAĞI / Interlock Profile Cap-Bottom		
2 Adet / Pcs	MO60-02		ÜST KENET KAPAĞI / Interlock Profile Cap-Top		
2 Adet / Pcs	MO60-05D		ALT HAVA KESİCİ / Central Sealing - Bottom		
2 Adet / Pcs	MO60-06D		ÜST HAVA KESİCİ / Central Sealing - Top/Bottom		
8 Adet / Pcs	MO60-13		KANAT DENGELEME PLASTİĞİ / Sash Stabilization Spacer		
4 Adet / Pcs	ASI-P-100		ORTA KANAT SABİTLEME PARÇASI / Sash Fixing		
20 Adet / Pcs	ASI-SB 19.1		KÖŞE GÖNYESİ / Corner Alignment		
12 Adet / Pcs	ASI-PB 1126 ASI-KT 1126		KASA KÖŞE TAKOZU veya PİMLİ BAĞLANTI Frame Corner Joint Pres or Button		
8 Adet / Pcs	ASI-KT 1429		KÖŞE TAKOZU / Pres Corner Joint		
8 Adet / Pcs	ASI-KT 2307		KÖŞE TAKOZU / Pres Corner Joint		
1 Takım / Set	LS60-MEK1D		KALDIR-SÜR MEKANİZMASI / Lift&Slide Mechanism		

CAM KESİM ÖLÇÜLERİ / GLASS CUTTING SIZES (24mm CAM İÇİN/ 24mm Glazing)

KOD / Code	TANIMI / Description	KESİM ÖLÇÜSÜ / Cutting Dimensions
GW	HAREKETLİ KANAT CAM GENİŞLİK / Sash Glass Width	SW - 172 mm
GH	HAREKETLİ KANAT CAM YÜKSEKLİK / Sash Glass Height	SH - 172 mm
GW	SABİT KISIM CAM GENİŞLİK / Fixed Glass Width	SW - 172 mm (FW/4 - 69,5)
FGH	SABİT KISIM CAM YÜKSEKLİK / Fixed Glass Height	FH - 57 mm

LS60

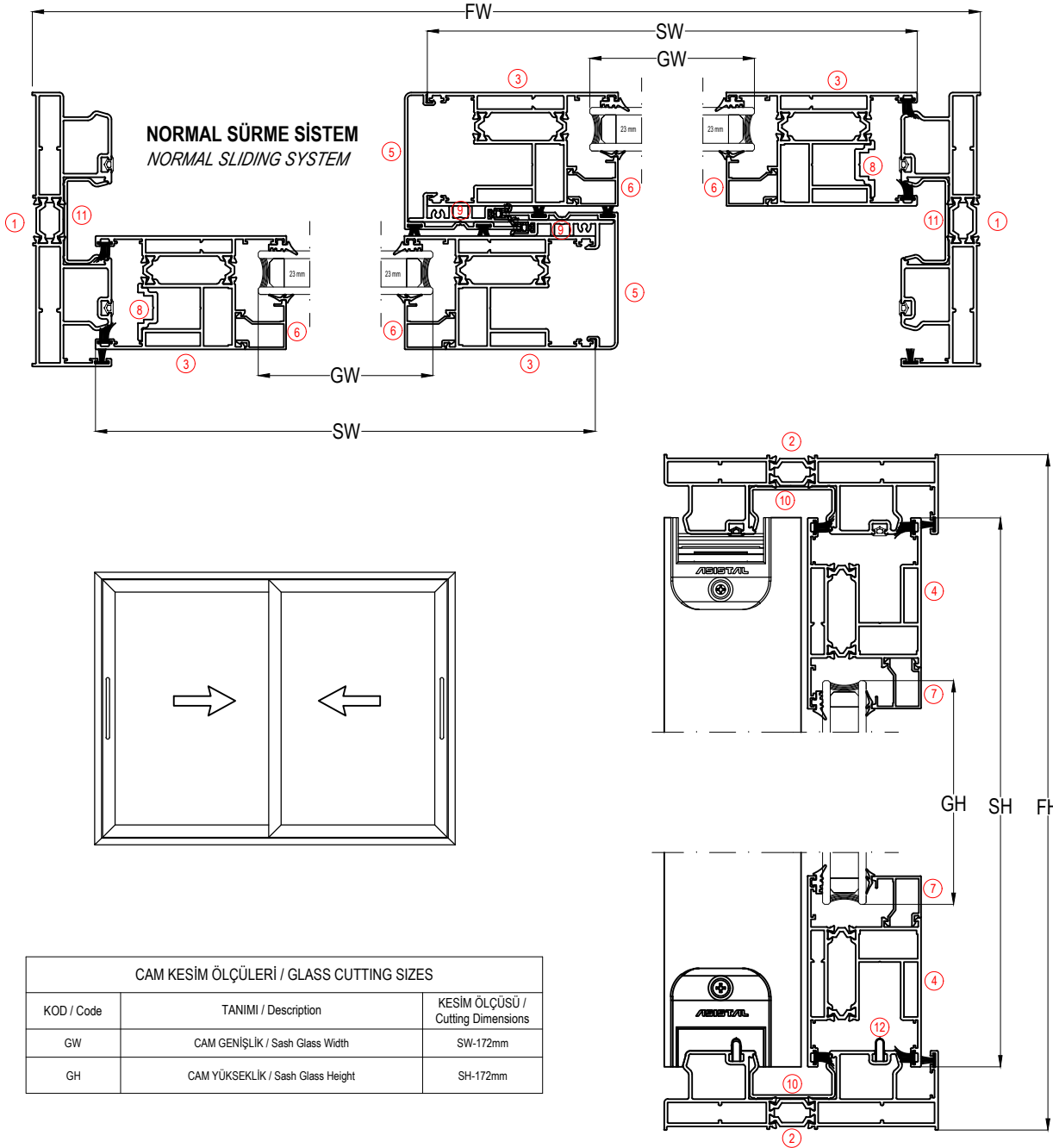
YALITIMLI KALDIR-SÜR SİSTEM
THERMAL LIFT&SLIDE SYSTEM

ASISTAL

NORMAL SÜRME SİSTEM
NORMAL SLIDING SYSTEM

NORMAL SÜRME 2 HAREKETLİ KANAT KESİM ÖLÇÜLERİ

2 SLIDING SASHES CUTTING SIZE FOR NORMAL SLIDING



NORMAL SÜRME SİSTEM
NORMAL SLIDING SYSTEM

CAM KESİM ÖLÇÜLERİ / GLASS CUTTING SIZES

KOD / Code	TANIMI / Description	KESİM ÖLÇÜSÜ / Cutting Dimensions
GW	CAM GENİŞLİK / Sash Glass Width	SW-172mm
GH	CAM YÜKSEKLİK / Sash Glass Height	SH-172mm

PROFİLLER / PROFILES

NO / Number	ADET / Unit	KOD / Code	PROFİL ÇİZİMİ / Drawing	PROFİL TANIMI / Description	KESİM ÖLÇÜSÜ / Cutting Dimensions
1	2	LS60 02 LS60 102		DÜŞEY KASA PROFİLİ / Vertical Frame Profile	FH
2	2	LS60 02 LS60 102		YATAY KASA PROFİLİ / Horizontal Frame Profile	FW
3	4	LS60 11		DÜŞEY KANAT PROFİLİ / Vertical Sash Profile	SH-FH-67mm
4	4	LS60 11		YATAY KANAT PROFİLİ / Horizontal Sash Profile	SW-FW/2+11,1mm
5	2	LS60 42		KENET PROFİLİ / Central Locking Profile	LS60 42-SH-6mm
6	4	11-0xx		DÜŞEY CAM ÇİTASI / Vertical Glazing Bead	G1=SH-202mm
7	4	11-0xx		YATAY CAM ÇİTASI / Horizontal Glazing Bead	G2=SW-159mm
8	2	LS60 44		İSPANYOLET KİLİTLEME KANAL PROFİLİ / Multi Lock Channel Profile	SH - 50 mm
9	2	MO60-10		KENET PVC PROFİL / Central Locking PVC Profile	SH
10	2	MO60-08		YATAY KASA KANAL PVC / Horizontal PVC Channel Profile	FW
11	2	MO60-08		DÜŞEY KASA KANAL PVC / Vertical PVC Channel Profile	FH
12	2	ASI-INR 02		ÇELİK RAY PROFİLİ / Steel Rail Profile	FW-84mm

FİTİLLER / GASKETS

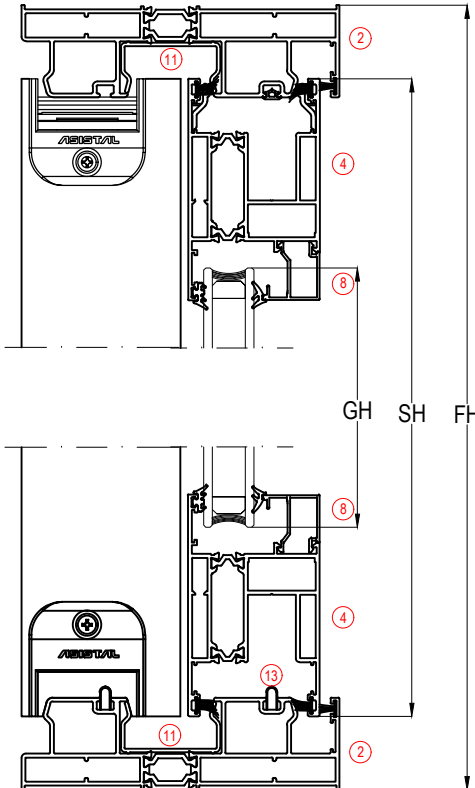
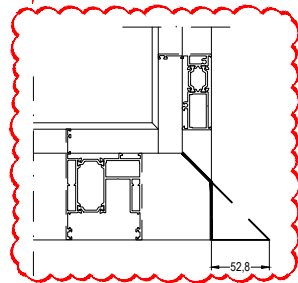
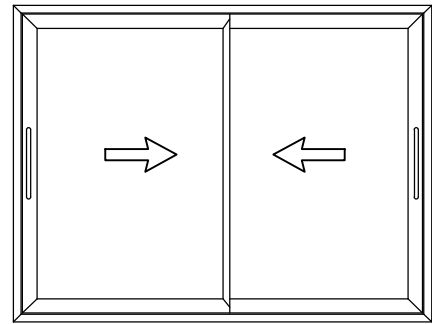
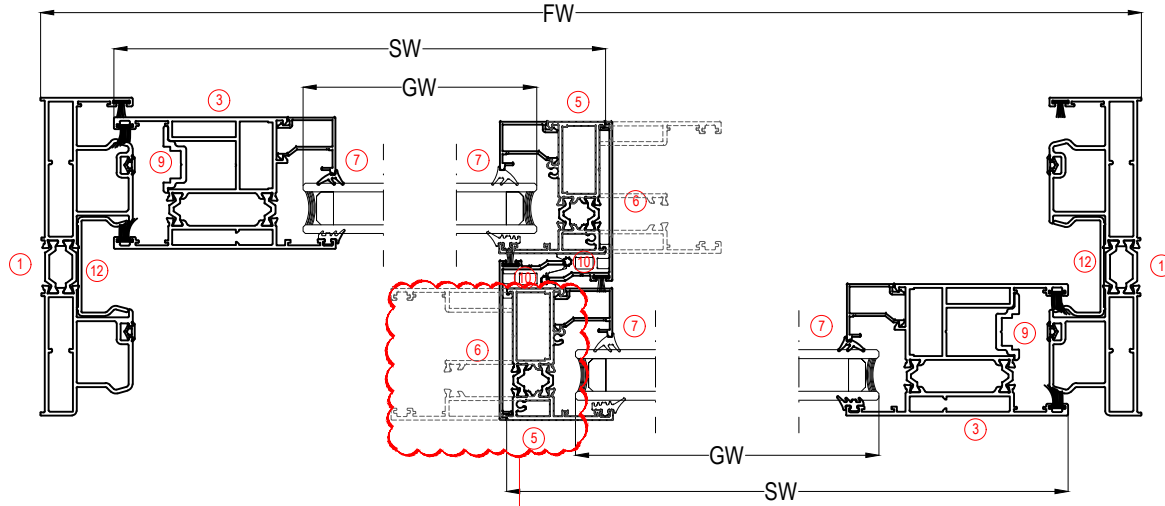
MİKTAR / Unit	KOD / Code	PROFİL ÇİZİMİ / Drawing	PROFİL TANIMI / Description	KESİM ÖLÇÜSÜ / Cutting Dimensions
mt	EP1-01		DIŞ CAM FİTİLİ / Outer Glazing Gasket	4x(G1+G2)
mt	EP2-01		İÇ CAM FİTİLİ / Inner Glazing Gasket	4x(G1+G2)
mt	EP60-R04		KENET FİTİLİ / Central Locking Gasket	2 x SH
mt	EP38-02		KASA FİTİLİ / Frame Gasket	(4xFH) + (2xFW)
mt	KF 67-600		FİRÇA FİTİL / Brush Gasket - 6mm	4 x SH
mt	KF 67-700		FİRÇA FİTİL / Brush Gasket - 7mm	(2xFH)+(2xFW)
mt	KF 67-1000		FİRÇA FİTİL / Brush Gasket - 10mm	(4xSH)+(4xSW)

AKSESUARLAR / ACCESSORIES

2 Adet / Pcs	MO60-01		ALT KENET KAPAĞI / Interlock Profile Cap-Bottom	
2 Adet / Pcs	MO60-02		ÜST KENET KAPAĞI / Interlock Profile Cap-Top	
2 Adet / Pcs	MO60-03		MO60-10 ALT KAPAK PROFİLİ / Bottom Cover Profile	
2 Adet / Pcs	MO60-04		MO60-10 ÜST KAPAK PROFİLİ / Top Cover Profile	
2 Adet / Pcs	MO60-06G		ALT-ÜST HAVA KESİCİ / Central Sealing - Top/Bottom	
8 Adet / Pcs	MO60-13		KANAT DENGELEME PLASTİĞİ / Sash Stabilization Spacer	
28 Adet / Pcs	ASI-SB 19.1		KÖŞE GÖNYESİ / Corner Alignment	
8 Adet / Pcs	ASI-PB 1126 ASH-KT 1126		KÖŞE TAKOZU veya PİMLİ BAĞLANTI / Pres Corner Joint or Pin	
8 Adet / Pcs	ASH-KT 1429		KÖŞE TAKOZU / Pres Corner Joint	
16 Adet / Pcs	ASH-KT 2307		KÖŞE TAKOZU / Pres Corner Joint	
4 Adet / Pcs	ASI-SR 04		İKİLİ RULMAN / Double Roller	
2 Adet / Pcs	ASH-SP 15.3		İSPANYOLET KİLİTLEME / Multi Point Lock	
6 Adet / Pcs	ASH-SP K03		İSPANYOLET KİLİT KARŞILIĞI / Multi Point Strike	
2 Adet / Pcs	ASH-WH 002		İSPANYOLET KİLİTLEME KOL / Window Handle	

2 HAREKETLİ KANAT DAR KENET KESİM ÖLÇÜLERİ

2 SLIDING SASHES CUTTING SIZE



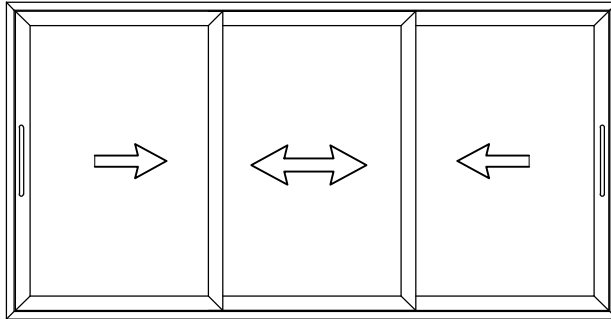
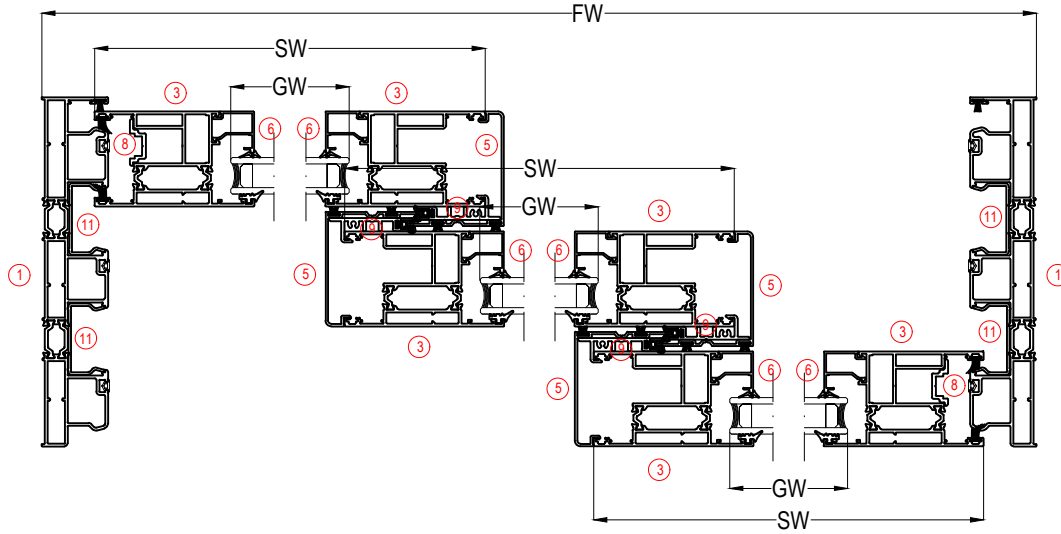
CAM KESİM ÖLÇÜLERİ / GLASS CUTTING SIZES		
KOD / Code	TANIMI / Description	KESİM ÖLÇÜSÜ / Cutting Dimensions
GW	CAM GENİŞLİK / Sash Glass Width	FW/2 - 131
GH	CAM YÜKSEKLİK / Sash Glass Height	SH-172mm

PROFİLLER / PROFILES					
NO / Number	ADET / Unit	KOD / Code	PROFİL ÇİZİMİ / Drawing	PROFİL TANIMI / Description	KESİM ÖLÇÜSÜ / Cutting Dimensions
1	2	LS60 02 LS60 102		DÜŞEY KASA PROFİLİ / Vertical Frame Profile	FH
2	2	LS60 02 LS60 102		YATAY KASA PROFİLİ / Horizontal Frame Profile	FW
3	4	LS60 11		DÜŞEY KANAT PROFİLİ / Vertical Sash Profile	SH=FW-67mm
4	4	LS60 11		YATAY KANAT PROFİLİ / Horizontal Sash Profile	SW=FW/2 + 41,5mm
5	2	LS60 112 LS60 113		DÜŞEY DAR KANAT PROFİLİ / Vertical Sash Profile	SH - 105,5 mm
6	2	LS60 45		KENET PROFİLİ / Central Locking Profile	LS60 42=SH
7	4	11-0xx		DÜŞEY CAM ÇİTASI / Vertical Glazing Bead	G1=SH-202mm
8	4	11-0xx		YATAY CAM ÇİTASI / Horizontal Glazing Bead	G2=SW-106mm
9	2	LS60 44		İSPANYOLET KİLİTLEME KANAL PROFİLİ / Multi Lock Channel Profile	SH - 50 mm
10	2	MO60-11		KENET PVC PROFİL / Central Locking PVC Profile	SH
11	2	MO60-08		YATAY KASA KANAL PVC /Horizontal PVC Channel Profile	FW
12	2	MO60-08		DÜŞEY KASA KANAL PVC /Vertical PVC Channel Profile	FH
13	2	ASH-NR 02		ÇELİK RAY PROFİLİ / Steel Rail Profile	FW-84mm

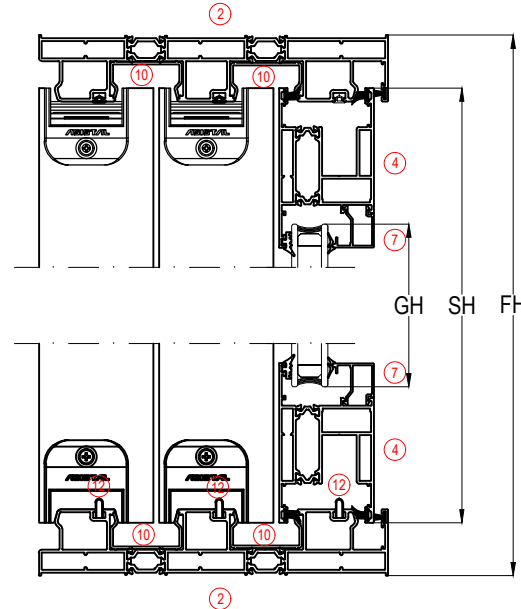
FİTİLLER / GASKETS				
MİKTAR / Unit	KOD / Code	PROFİL ÇİZİMİ / Drawing	PROFİL TANIMI / Description	KESİM ÖLÇÜSÜ / Cutting Dimensions
mt	EP1-01		DIŞ CAM FİTİLİ / Outer Glazing Gasket	4x(G1+G2)
mt	EP2-01		İÇ CAM FİTİLİ / Inner Glazing Gasket	4x(G1+G2)
mt	EP5-01		O.RING / Gasket	2 x SH
mt	EP38-02		KASA FİTİLİ / Frame Gasket	(4xFH) + (2xFW)
mt	KF 67-600		FİRÇA FİTİL / Brush Gasket - 6mm	2 x SH
mt	KF 67-700		FİRÇA FİTİL / Brush Gasket - 7mm	(2xFH)+(2xFW)
mt	KF 67-1000		FİRÇA FİTİL / Brush Gasket - 10mm	(4xSH)+(4xSW)

AKSESUARLAR / ACCESSORIES				
2 Adet / Pcs	MO60-01		ALT KENET KAPAĞI / Interlock Profile Cap-Bottom	
2 Adet / Pcs	MO60-02		ÜST KENET KAPAĞI / Interlock Profile Cap-Top	
1 Adet / Pcs	MO60-05G		ALT HAVA KESİCİ / Central Sealing - Bottom	
1 Adet / Pcs	MO60-06G		ÜST HAVA KESİCİ / Central Sealing - Top	
8 Adet / Pcs	MO60-13		KANAT DENGELEME PLASTİĞİ / Sash Stabilization Spacer	
20 Adet / Pcs	ASI-SB 19.1		KÖŞE GÖNYESİ / Corner Alignment	
8 Adet / Pcs	ASI-PB 1126 ASI-KT 1126		KÖŞE TAKOZU veya PİMLİ BAĞLANTI / Pres Corner Joint or Pin	
8 Adet / Pcs	ASI-KT 1429		KÖŞE TAKOZU / Pres Corner Joint	
8 Adet / Pcs	ASI-KT 2307		KÖŞE TAKOZU / Pres Corner Joint	
4 Adet / Pcs	ASI-SR 04		İKİLİ RULMAN / Double Roller	
2 Adet / Pcs	ASI-ISP 15.3		İSPANYOLET KİLİTLEME / Multi Point Lock	
6 Adet / Pcs	ASI-ISP K03		İSPANYOLET KİLİT KARŞILIĞI / Multi Point Strike	
2 Adet / Pcs	ASI-WH 002		İSPANYOLET KİLİTLEME KOL / Window Handle	

3 LÜ KANAT KESİM ÖLÇÜLERİ 3 SASHES CUTTING SIZE



CAM KESİM ÖLÇÜLERİ / GLASS CUTTING SIZES		
KOD / Code	TANIMI / Description	KESİM ÖLÇÜSÜ / Cutting Dimensions
GW	CAM GENİŞLİK / Sash Glass Width	SW-172mm
GH	CAM YÜKSEKLİK / Sash Glass Height	SH-172mm

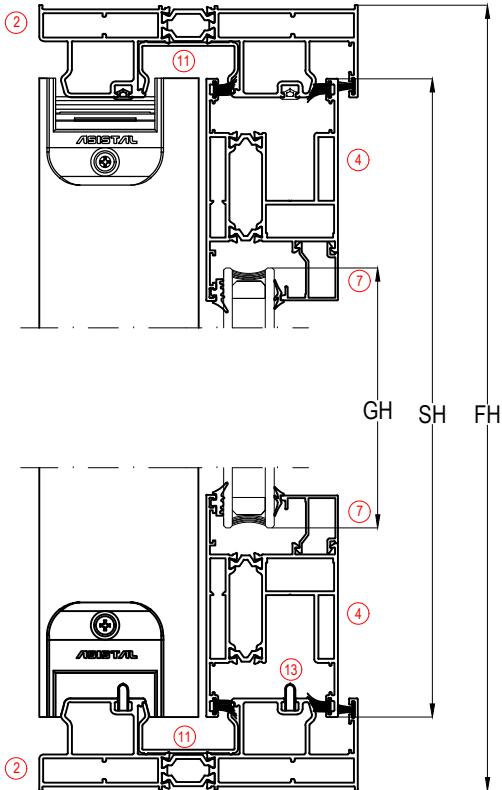
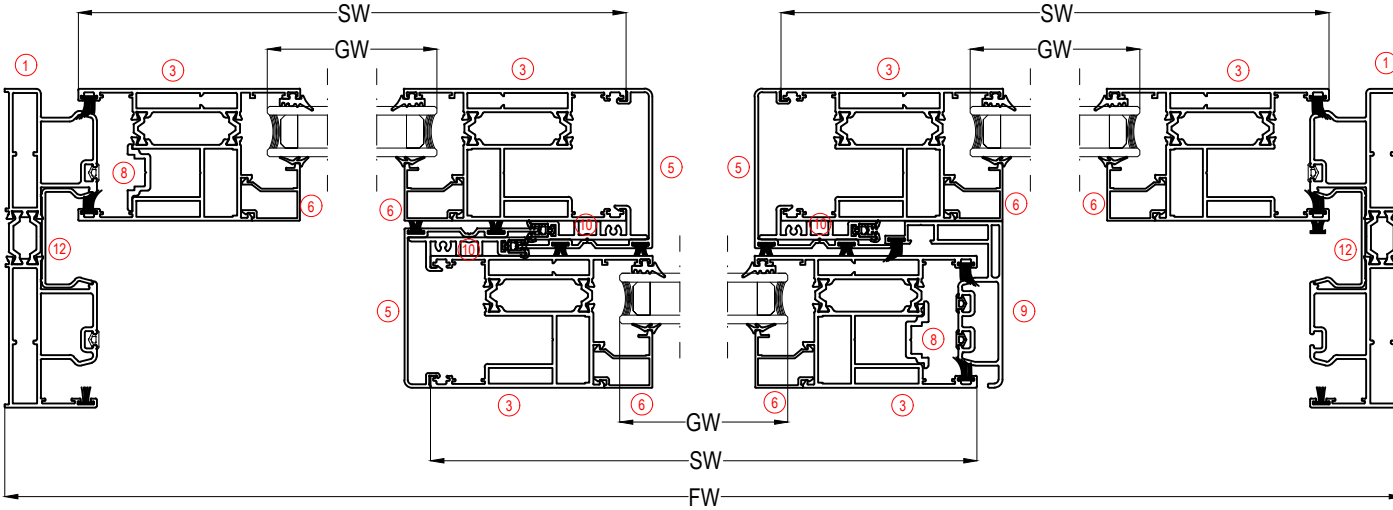


PROFİLLER / PROFILES					
NO / Number	ADET / Unit	KOD / Code	PROFİL ÇİZİMİ / Drawing	PROFİL TANIMI / Description	KESİM ÖLÇÜSÜ / Cutting Dimensions
1	2	LS60 03 LS60 103		DÜŞEY KASA PROFİLİ / Vertical Frame Profile	FH
2	2	LS60 03 LS60 103		YATAY KASA PROFİLİ / Horizontal Frame Profile	FW
3	6	LS60 11		DÜŞEY KANAT PROFİLİ / Vertical Sash Profile	SH=SH-67mm
4	6	LS60 11		YATAY KANAT PROFİLİ / Horizontal Sash Profile	SW=FW/3+37.2
5	4	LS60 42		KENET PROFİLİ / Central Locking Profile	LS60 42=SH-6mm
6	6	11-0xx		DÜŞEY CAM ÇİTASI / Vertical Glazing Bead	G1=SH-202mm
7	6	11-0xx		YATAY CAM ÇİTASI / Horizontal Glazing Bead	G2=SW-159mm
8	2	LS60 44		İSPANYOLET KİLİTLEME KANAL PROFİLİ / Multi Lock Channel Profile	SH - 50 mm
9	4	MO60-10		KENET PVC PROFİLİ / Central Locking PVC Profile	SH
10	4	MO60-08		YATAY KASA KANAL PVC / Horizontal PVC Channel Profile	FW
11	4	MO60-08		DÜŞEY KASA KANAL PVC / Vertical PVC Channel Profile	FH
12	3	ASI-INR 02		ÇELİK RAY PROFİLİ / Steel Rail Profile	FW-84mm

FİTİLLER / GASKETS				
MİKTAR / Unit	KOD / Code	PROFİL ÇİZİMİ / Drawing	PROFİL TANIMI / Description	KESİM ÖLÇÜSÜ / Cutting Dimensions
mt	EP1-01		DIŞ CAM FİTİLİ / Outer Glazing Gasket	6x(G1+G2)
mt	EP2-01		İÇ CAM FİTİLİ / Inner Glazing Gasket	6x(G1+G2)
mt	EP60-R04		KENET FİTİLİ / Central Locking Gasket	4 x SH
mt	EP38-02		KASA FİTİLİ / Frame Gasket	(6x FH) + (3x FW)
mt	KF 67-600		FİRÇA FİTİL / Brush Gasket - 6mm	8 x SH
mt	KF 67-700		FİRÇA FİTİL / Brush Gasket - 7mm	(2x FH)+(2x FW)
mt	KF 67-1000		FİRÇA FİTİL / Brush Gasket - 10mm	(4XSH)+(12XSW)

AKSESUARLAR / ACCESSORIES				
4 Adet / Pcs	MO60-01		ALT KENET KAPAĞI / Interlock Profile Cap-Bottom	
4 Adet / Pcs	MO60-02		ÜST KENET KAPAĞI / Interlock Profile Cap-Top	
4 Adet / Pcs	MO60-03		MO60-10 ALT KAPAK PROFİLİ / Bottom Cover Profile	
4 Adet / Pcs	MO60-04		MO60-10 ÜST KAPAK PROFİLİ / Top Cover Profile	
4 Adet / Pcs	MO60-06G		ALT-ÜST HAVA KEŞİCİ / Central Sealing - Top/Bottom	
12 Adet / Pcs	MO60-13		KANAT DENGELEME PLASTİĞİ / Sash Stabilization Spacer	
40 Adet / Pcs	ASI-SB 19.1		KÖŞE GÖNYESİ / Corner Alignment	
12 Adet / Pcs	ASI-PB 1126 ASI-KT 1126		KÖŞE TAKOZU veya PİMLİ BAĞLANTI / Pres Corner Joint or Pin	
12 Adet / Pcs	ASI-KT 1429		KÖŞE TAKOZU / Pres Corner Joint	
24 Adet / Pcs	ASI-KT 2307		KÖŞE TAKOZU / Pres Corner Joint	
6 Adet / Pcs	ASI-SR 04		İKİLİ RULMAN / Double Roller	
2 Adet / Pcs	ASH-ISP 15.3		İSPANYOLET KİLİTLEME / Multi Point Lock	
6 Adet / Pcs	ASH-ISP K03		İSPANYOLET KİLİT KARŞILIĞI / Multi Point Strike	
2 Adet / Pcs	ASI-WH 002		İSPANYOLET KİLİTLEME KOL / Window Handle	

2'Lİ RAYDA 3 LÜ KANAT KESİM ÖLÇÜLERİ
3 SASHES CUTTING SIZE FOR DOUBLE RAIL FRAME



FİTİLLER / GASKETS

MIKTAR / Unit	KOD / Code	PROFİL ÇİZİMİ / Drawing	PROFİL TANIMI / Description	KESİM ÖLÇÜSÜ / Cutting Dimensions
mt	EP1-01		DIŞ CAM FİTİLİ / Outer Glazing Gasket	6x(G1+G2)
mt	EP2-01		İÇ CAM FİTİLİ / Inner Glazing Gasket	6x(G1+G2)
mt	EP60-R04		KENET FİTİLİ / Central Locking Gasket	3 x SH
mt	EP38-02		KASA FİTİLİ / Frame Gasket	(4xFH) + (2xFW)
mt	KF 67-600		FİRÇA FİTİL / Brush Gasket - 6mm	6 x SH
mt	KF 67-700		FİRÇA FİTİL / Brush Gasket - 7mm	(2xFH)+(2xFW)
mt	KF 67-1000		FİRÇA FİTİL / Brush Gasket - 10mm	(6xSH)+(12xSW)

AKSESUARLAR / ACCESSORIES

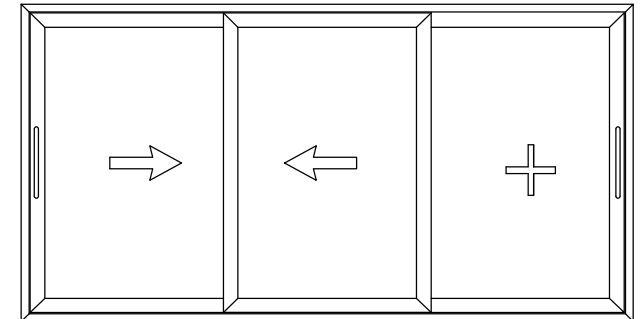
2 Adet / Pcs	MO60-01		ALT KENET KAPAĞI / Interlock Profile Cap-Bottom	
2 Adet / Pcs	MO60-02		ÜST KENET KAPAĞI / Interlock Profile Cap-Top	
2 Adet / Pcs	MO60-03		MO60-10 ALT KAPAK PROFİLİ / Bottom Cover Profile	
2 Adet / Pcs	MO60-04		MO60-10 ÜST KAPAK PROFİLİ / Top Cover Profile	
4 Adet / Pcs	MO60-06G		ALT-ÜST HAVA KESİCİ / Central Sealing - Top/Bottom	
12 Adet / Pcs	MO60-13		KANAT DENGELEME PLASTİĞİ / Sash Stabilization Spacer	
40 Adet / Pcs	ASI-SB 19.1		KÖŞE GÖNYESİ / Corner Alignment	
8 Adet / Pcs	ASI-PB 1126 ASI-KT 1126		KÖŞE TAKOZU veya PİMLİ BAĞLANTI / Pres Corner Joint or Pin	
12 Adet / Pcs	ASI-KT 1429		KÖŞE TAKOZU / Pres Corner Joint	
24 Adet / Pcs	ASI-KT 2307		KÖŞE TAKOZU / Pres Corner Joint	
4 Adet / Pcs	LS60-DB 3560		KANAT SABİTLEME PARÇASI / Sash Fixing	
4 Adet / Pcs	ASI-SR 04		İKİLİ RULMAN / Double Roller	
2 Adet / Pcs	ASI-ISP 15.3		İSPANYOLET KİLİTLEME / Multi Point Lock	
6 Adet / Pcs	ASI-ISP K03		İSPANYOLET KİLİT KARŞILIĞI / Multi Point Strike	
2 Adet / Pcs	ASI-WH 002		İSPANYOLET KİLİTLEME KOL / Window Handle	

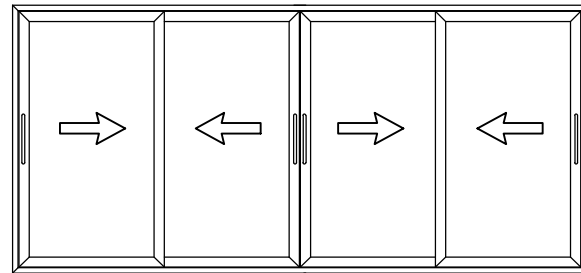
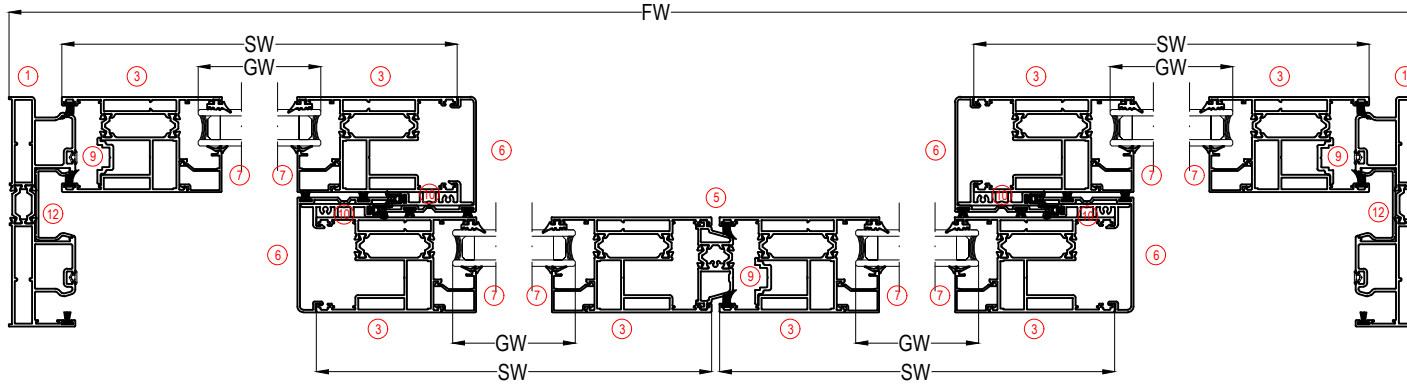
PROFİLLER / PROFILES

NO / Number	ADET / Unit	KOD / Code	PROFİL ÇİZİMİ / Drawing	PROFİL TANIMI / Description	KESİM ÖLÇÜSÜ / Cutting Dimensions
1	2	LS60 02 LS60 102		DÜŞEY KASA PROFİLİ / Vertical Frame Profile	FH
2	2	LS60 02 LS60 102		YATAY KASA PROFİLİ / Horizontal Frame Profile	FW
3	6	LS60 11		DÜŞEY KANAT PROFİLİ / Vertical Sash Profile	SH=FH-67mm
4	6	LS60 11		YATAY KANAT PROFİLİ / Horizontal Sash Profile	SW=FW/3+37mm
5	3	LS60 42		KENET PROFİLİ / Central Locking Profile	LS60 42-SH-6mm
6	6	11-0xx		DÜŞEY CAM ÇİTASI / Vertical Glazing Bead	G1=SH-202mm
7	6	11-0xx		YATAY CAM ÇİTASI / Horizontal Glazing Bead	G2=SW-159mm
8	2	LS60 44		İSPANYOLET KİLİTLEME KANAL PROFİLİ / Multi Lock Channel Profile	SH - 50 mm
9	1	LS60 43		3'LÜ KANAT ADAPTÖR PROFİLİ / Adapter Profile	SH
10	3	MO60-10		KENET PVC PROFİL / Central Locking PVC Profile	SH
11	2	MO60-08		YATAY KASA KANAL PVC /Horizontal PVC Channel Profile	FW
12	2	MO60-08		DÜŞEY KASA KANAL PVC /Vertical PVC Channel Profile	FH
13	2	ASH-1NR 02		ÇELİK RAY PROFİLİ / Steel Rail Profile	FW-84mm

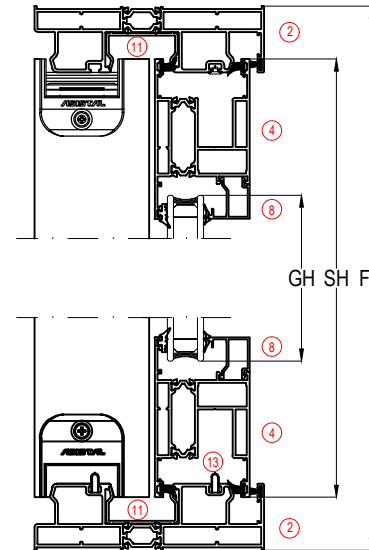
CAM KESİM ÖLÇÜLERİ / GLASS CUTTING SIZES

KOD / Code	TANIMI / Description	KESİM ÖLÇÜSÜ / Cutting Dimensions
GW	CAM GENİŞLİK / Sash Glass Width	SW-172mm
GH	CAM YÜKSEKLİK / Sash Glass Height	SH-172mm



4 LÜ KANAT KESİM ÖLÇÜLERİ
 4 SLIDING SASHES CUTTING SIZE


CAM KESİM ÖLÇÜLERİ / GLASS CUTTING SIZES		
KOD / Code	TANIMI / Description	KESİM ÖLÇÜSÜ / Cutting Dimensions
GW	CAM GENİŞLİK / Sash Glass Width	SW-172mm
GH	CAM YÜKSEKLİK / Sash Glass Height	SH-172mm

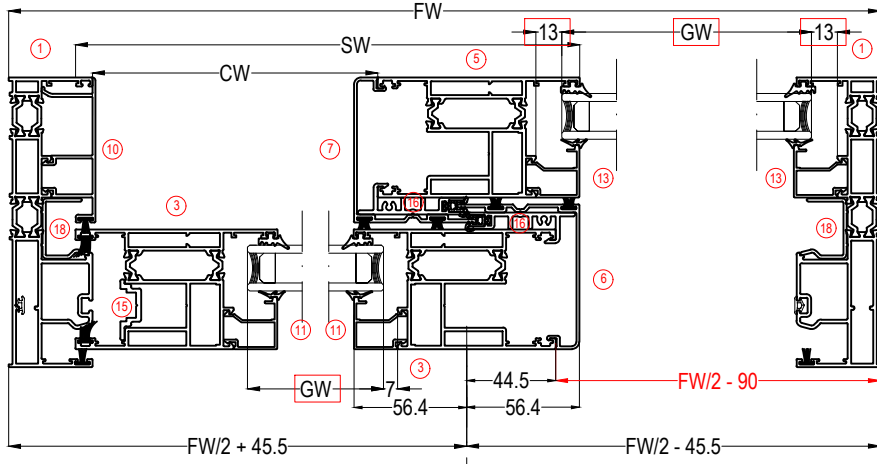


PROFİLLER / PROFILES					
NO / Number	ADET / Unit	KOD / Code	PROFİL ÇİZİMİ / Drawing	PROFİL TANIMI / Description	KESİM ÖLÇÜSÜ / Cutting Dimensions
1	2	LS60 02 LS80 102		DÜŞEY KASA PROFİLİ / Vertical Frame Profile	FH
2	2	LS60 02 LS80 102		YATAY KASA PROFİLİ / Horizontal Frame Profile	FW
3	8	LS60 11		DÜŞEY KANAT PROFİLİ / Vertical Sash Profile	SH+FH-67mm
4	8	LS60 11		YATAY KANAT PROFİLİ / Horizontal Sash Profile	SW+FW+26,6mm
5	1	LS60-41		ADAPTÖR PROFİLİ / Adapter Profile	LS60 41=SH-50mm
6	4	LS60-42		KENET PROFİLİ / Central Locking Profile	LS60 42=SH-6mm
7	8	11-0xx		DÜŞEY CAM ÇITASI / Vertical Glazing Bead	G1=SH-202mm
8	8	11-0xx		YATAY CAM ÇITASI / Horizontal Glazing Bead	G2=SW-159mm
9	3	LS60 44		İSPANYOLET KİLİTLEME KANAL PROFİLİ / Multi Lock Channel Profile	SH - 50 mm
10	4	MO60-10		KENET PVC PROFİLİ / Central Locking PVC Profile	SH
11	2	MO60-08		YATAY KASA KANAL PVC / Horizontal PVC Channel Profile	SW
12	2	MO60-08		DÜŞEY KASA KANAL PVC / Vertical PVC Channel Profile	SH
13	2	ASH-NR 02		ÇELİK RAY PROFİLİ / Steel Rail Profile	FW-84mm

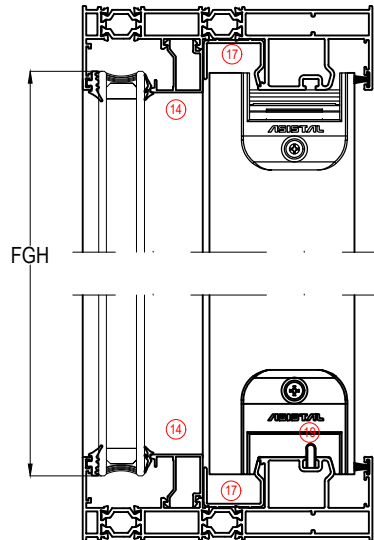
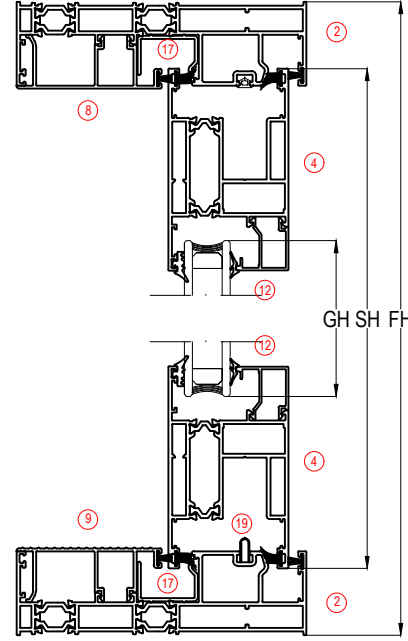
FİTİLLER / GASKETS				
MİKTAR / Unit	KOD / Code	PROFİL ÇİZİMİ / Drawing	PROFİL TANIMI / Description	KESİM ÖLÇÜSÜ / Cutting Dimensions
mt	EP1-01		DIŞ CAM FİTİLİ / Outer Glazing Gasket	8x(G1+G2)
mt	EP2-01		İÇ CAM FİTİLİ / Inner Glazing Gasket	8x(G1+G2)
mt	EP60-R04		KENET FİTİLİ / Central Locking Gasket	4 x SH
mt	EP38-02		KASA FİTİLİ / Frame Gasket	(4xFH) +(2x FW)
mt	KF 67-600		FİRÇA FİTİL / Brush Gasket - 6mm	8xSH
mt	KF 67-700		FİRÇA FİTİL / Brush Gasket - 7mm	(2xFH)+(2xFW)
mt	KF 67-1000		FİRÇA FİTİL / Brush Gasket - 10mm	(6xSH)+(16xSW)

AKSESUARLAR / ACCESSORIES				
4 Adet / Pcs	MO60-01		ALT KENET KAPAĞI / Interlock Profile Cap-Bottom	
4 Adet / Pcs	MO60-02		ÜST KENET KAPAĞI / Interlock Profile Cap-Top	
4 Adet / Pcs	MO60-03		MO60-10 ALT KAPAK PROFİLİ / Bottom Cover Profile	
4 Adet / Pcs	MO60-04		MO60-10 ÜST KAPAK PROFİLİ / Top Cover Profile	
4 Adet / Pcs	MO60-06G		ALT-ÜST HAVA KESİCİ / Central Sealing - Top/Bottom	
2 Adet / Pcs	MO60-12		ADAPTÖR KAPAĞI / Adapter Cover	
16 Adet / Pcs	MO60-13		KANAT DENGELEME PLASTİĞİ / Sash Stabilization Spacer	
52 Adet / Pcs	ASI-SB 19.1		KÖŞE GÖNYESİ / Corner Alignment	
8 Adet / Pcs	ASH-PB 1126 ASH-KT 1126		KÖŞE TAKOZU veya PİMLİ BAĞLANTI / Pres Corner Joint or Pin	
16 Adet / Pcs	ASH-KT 1429		KÖŞE TAKOZU / Pres Corner Joint	
32 Adet / Pcs	ASH-KT 2307		KÖŞE TAKOZU / Pres Corner Joint	
8 Adet / Pcs	ASI-SR 04		İKİLİ RULMAN / Double Roller	
3 Adet / Pcs	ASHSP 15.3		İSPANYOLET KİLİTLEME / Multi Point Lock	
9 Adet / Pcs	ASHSP K03		İSPANYOLET KİLİT KARŞILIĞI / Multi Point Strike	
3 Adet / Pcs	ASH-WH 002		İSPANYOLET KİLİTLEME KOL / Window Handle	

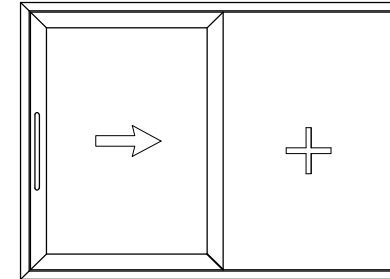
HAREKETLİ KANADI İÇERİDE OLAN MONORAIL SİSTEM - CAM YATAY ÖLÇÜLERİ EŞİT OLMASINA GÖRE
MONORAIL SYSTEM WITH SLIDING SASH INSIDE - ACCORDING TO THE EQUAL GLASS DIMENSIONS BOTH SASH AND FIXED PART



NOT: LS60 04 KASA, CAM KALINLIĞI 24mm DEN FAZLA OLAN CAMLARIN MONTAJI İÇİN UYGUN DEĞİLDİR
LS60 04 FRAME NOT SUITABLE FOR INSTALLATION FOR GLASSES WITH GLASS THICKNESS MORE THAN 24mm



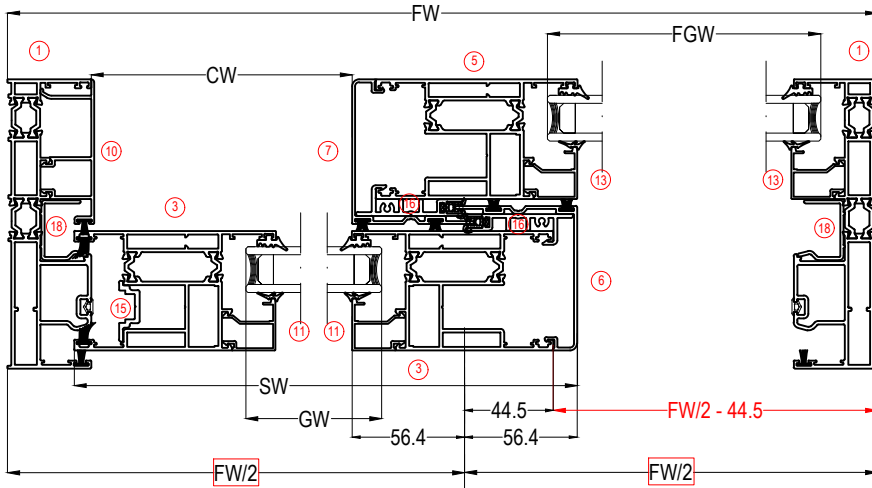
FİTİLLER / GASKETS				
MIKTAR / Unit	KOD / Code	PROFİL ÇİZİMİ / Drawing	PROFİL TANIMI / Description	KESİM ÖLÇÜSÜ / Cutting Dimensions
mt	EP1-01		DIŞ CAM FİTİLİ / Outer Glazing Gasket	2x(G1+G2+G3+G4)
mt	EP2-01		İÇ CAM FİTİLİ / Inner Glazing Gasket	2x(G1+G2+G3+G4)
mt	EP60-R04		KENET FİTİLİ / Central Locking Gasket	2 x SH
mt	EP38-02		KASA FİTİLİ / Frame Gasket	(2xFH) + FW
mt	KF 67-600		FİRÇA FİTİLİ / Brush Gasket - 6mm	4xSH
mt	KF 67-700		FİRÇA FİTİLİ / Brush Gasket - 7mm	(2xFH)+(2xFW)+CH+(2xCW)
mt	KF 67-1000		FİRÇA FİTİLİ / Brush Gasket - 10mm	(2xSH)+(4xSW)
AKSESUARLAR / ACCESSORIES				
1 Adet / Pcs	MO60-01		ALT KENET KAPAĞI / Interlock Profile Cap-Bottom	
1 Adet / Pcs	MO60-02		ÜST KENET KAPAĞI / Interlock Profile Cap-Top	
1 Adet / Pcs	MO60-03		MO60-10 ALT KAPAK PROFİLİ / Bottom Cover Profile	
1 Adet / Pcs	MO60-04		MO60-10 ÜST KAPAK PROFİLİ / Top Cover Profile	
2 Adet / Pcs	MO60-06D		ALT-ÜST HAVA KESİCİ / Central Sealing - Top/Bottom	
4 Adet / Pcs	MO60-13		KANAT DENGELEME PLASTİĞİ / Sash Stabilization Spacer	
2 Adet / Pcs	LS60-DB 3560		KANAT SABİTLEME PARÇASI / Sash Fixing Part	
20 Adet / Pcs	ASI-SB 19.1		KÖŞE GÖNYESİ / Corner Alignment	
8 Adet / Pcs	ASI-PB 1126 ASI-KT 1126		KÖŞE TAKOZU veya PİMLİ BAĞLANTI / Pres Corner Joint or Pin	
4 Adet / Pcs	ASI-KT 1429		KÖŞE TAKOZU / Pres Corner Joint	
8 Adet / Pcs	ASI-KT 2307		KÖŞE TAKOZU / Pres Corner Joint	
2 Adet / Pcs	ASI-SR 04		İKİLİ RULMAN / Double Roller	
1 Adet / Pcs	ASH-İSP 15.3		İSPANYOLET KİLİTLEME / Multi Point Lock	
3 Adet / Pcs	ASH-İSP K03		İSPANYOLET KİLİT KARŞILIĞI / Multi Point Strike	
1 Adet / Pcs	ASH-WH 002		İSPANYOLET KİLİTLEME KOL / Window Handle	



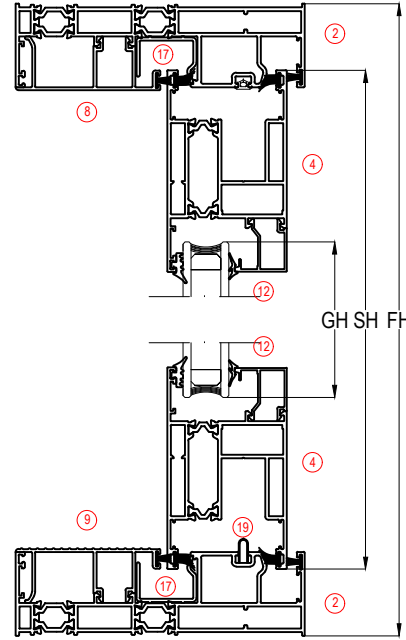
CAM KESİM ÖLÇÜLERİ / GLASS CUTTING SIZES (24mm CAM İÇİN / 24mm Glazing)		
KOD / Code	TANIMI / Description	KESİM ÖLÇÜSÜ / Cutting Dimensions
GW	HAREKETLİ KANAT CAM GENİŞLİK / Sash Glass Width	SW-172mm
GH	HAREKETLİ KANAT CAM YÜKSEKLİK / Sash Glass Height	SH-172mm
GW	SABİT KISIM CAM GENİŞLİK / Fixed Glass Width	SW-172mm (FW/2-122)
FGH	SABİT KISIM CAM YÜKSEKLİK / Fixed Glass Height	FH - 64mm

PROFİLLER / PROFILES					
NO / Number	ADET / Unit	KOD / Code	PROFİL ÇİZİMİ / Drawing	PROFİL TANIMI / Description	KESİM ÖLÇÜSÜ / Cutting Dimensions
2	2	LS60 04 LS60 104		DÜŞEY KASA PROFİLİ / Vertical Frame Profile	FH
2	2	LS60 04 LS60 104		YATAY KASA PROFİLİ / Horizontal Frame Profile	FW
3	2	LS60 11		DÜŞEY KANAT PROFİLİ / Vertical Sash Profile	SH=FW-67mm
4	2	LS60 11		YATAY KANAT PROFİLİ / Horizontal Sash Profile	SW=FW/2 +50,6mm
5	1	LS60 11		ORTA KAYIT PROFİLİ / Transom Locking Profile	TH=FW-43mm
6	1	LS60 42		KENET PROFİLİ / Central Locking Profile	LS60 42=SH-6mm
7	1	LS60 42		ORTA KAYIT KENET PROFİLİ / Transom Cover Profile	FH-88mm
8	1	LS60 31		ÜST KAPAK PROFİLİ / Top Cover Profile	CW=FW/2 - 47 mm
9	1	LS60 32		ALT KAPAK PROFİLİ / Bottom Cover Profile	CW=FW/2 - 47 mm
10	1	LS60 31		YAN KAPAK PROFİLİ / Side Cover Profile	CH=FW - 88 mm
11	2	11-0xx		DÜŞEY CAM ÇİTASI / Vertical Glazing Bead	G1=SH - 202 mm
12	2	11-0xx		YATAY CAM ÇİTASI / Horizontal Glazing Bead	G2=SW - 158 mm
13	2	11-0xx		SABİT DÜŞEY CAM ÇİTASI / Fixed Vertical Glazing Bead	G3=FW - 88 mm
14	2	11-0xx		SABİT YATAY CAM ÇİTASI / Fixed Horizontal Glazing Bead	G4=FW/2-95,5mm
15	1	LS60 44		İSPANYOLET KİLİTLEME KANAL PROFİLİ / Multi Lock Channel Profile	SH - 50 mm
16	2	MO60-10		KENET PVC PROFİLİ / Central Locking PVC Profile	SH
17	2	MO60-07		YATAY KASA KANAL PVC / Horizontal PVC Channel Profile	FW
18	2	MO60-07		DÜŞEY KASA KANAL PVC / Vertical PVC Channel Profile	FH
19	1	ASH-INR 02		ÇELİK RAY PROFİLİ / Steel Rail Profile	FW-84mm

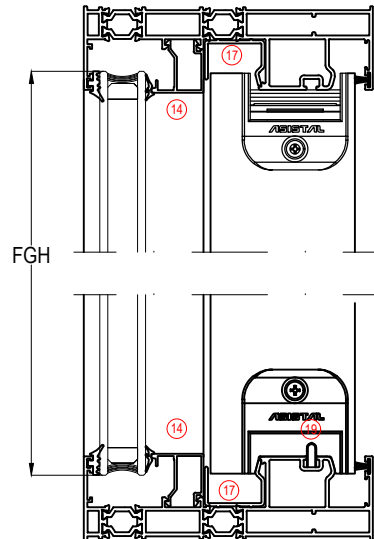
HAREKETLİ KANADI İÇERİDE OLAN MONORAIL SİSTEM - ORTA KENET KİLİTLEME, TAM ORTADA OLMASINA GÖRE
MONORAIL SYSTEM WITH SLIDING SASH INSIDE - ACCORDING TO THE EQUAL CENTRAL LOCKING POINT



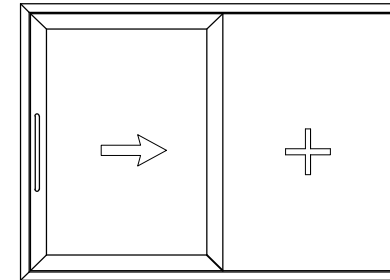
NOT: LS60 04 KASA, CAM KALINLIĞI 24mm DEN FAZLA OLAN CAMLARIN MONTAJI İÇİN UYGUN DEĞİLDİR
LS60 04 FRAME, NOT SUITABLE FOR INSTALLATION FOR GLASSES WITH GLASS THICKNESS MORE THAN 24mm



PROFİLLER / PROFILES					
NO / Number	ADET / Unit	KOD / Code	PROFİL ÇİZİMİ / Drawing	PROFİL TANIMI / Description	KESİM ÖLÇÜSÜ / Cutting Dimensions
1	2	LS60 04 LS60 104		DÜŞEY KASA PROFİLİ / Vertical Frame Profile	FH
2	2	LS60 04 LS60 104		YATAY KASA PROFİLİ / Horizontal Frame Profile	FW
3	2	LS60 11		DÜŞEY KANAT PROFİLİ / Vertical Sash Profile	SH=FH-67mm
4	2	LS60 11		YATAY KANAT PROFİLİ / Horizontal Sash Profile	SW=FW/2 +11 mm
5	1	LS60 11		ORTA KAYIT PROFİLİ / Transom Locking Profile	TH=FH-43mm
6	1	LS60 42		KENET PROFİLİ / Central Locking Profile	LS60 42=SH-6mm
7	1	LS60 42		ORTA KAYIT KENET PROFİLİ / Transom Cover Profile	FH-43mm
8	1	LS60 31		ÜST KAPAK PROFİLİ / Top Cover Profile	CW=FW/2 - 98,5 mm
9	1	LS60 32		ALT KAPAK PROFİLİ / Bottom Cover Profile	CW=FW/2 - 98,5 mm
10	1	LS60 31		YAN KAPAK PROFİLİ / Side Cover Profile	CH=FH - 88 mm
11	2	11-0xx		DÜŞEY CAM ÇITASI / Vertical Glazing Bead	G1=SH - 202 mm
12	2	11-0xx		YATAY CAM ÇITASI / Horizontal Glazing Bead	G2=SW - 158 mm
13	2	11-0xx		SABİT DÜŞEY CAM ÇITASI / Fixed Vertical Glazing Bead	G3=FH - 96 mm
14	2	11-0xx		SABİT YATAY CAM ÇITASI / Fixed Horizontal Glazing Bead	G4=FW/2 - 56 mm
15	1	LS60 44		İSPANYOLET KİLİTLEME KANAL PROFİLİ / Multi Lock Channel Profile	SH - 50 mm
16	2	MO60-10		KENET PVC PROFİL / Central Locking PVC Profile	SH
17	2	MO60-07		YATAY KASA KANAL PVC / Horizontal PVC Channel Profile	FW
18	2	MO60-07		DÜŞEY KASA KANAL PVC / Vertical PVC Channel Profile	FH
19	1	ASI-INR 02		ÇELİK RAY PROFİLİ / Steel Rail Profile	FW-84mm

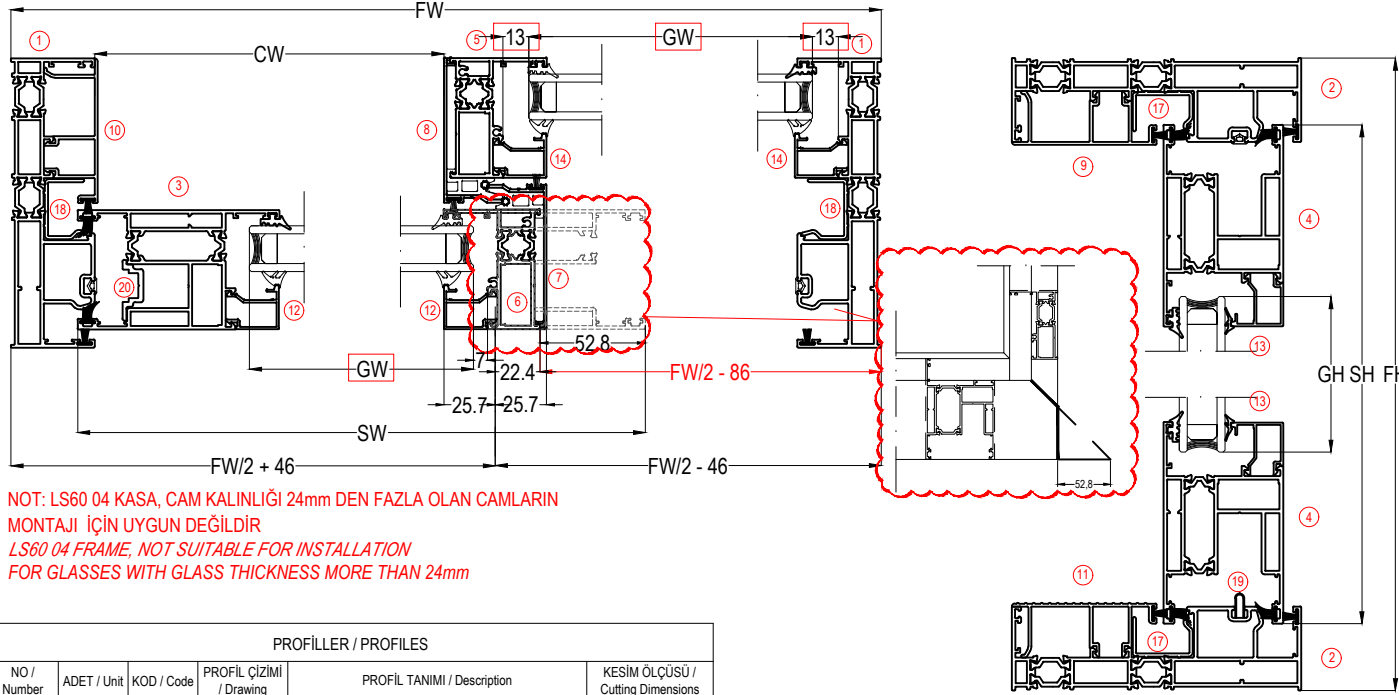


FİTİLLER / GASKETS				
MİKTAR / Unit	KOD / Code	PROFİL ÇİZİMİ / Drawing	PROFİL TANIMI / Description	KESİM ÖLÇÜSÜ / Cutting Dimensions
mt	EP1-01		DIŞ CAM FİTİLİ / Outer Glazing Gasket	2x(G1+G2+G3+G4)
mt	EP2-01		İÇ CAM FİTİLİ / Inner Glazing Gasket	2x(G1+G2+G3+G4)
mt	EP60-R04		KENET FİTİLİ / Central Locking Gasket	2 x SH
mt	EP38-02		KASA FİTİLİ / Frame Gasket	(2xFH) + FW
mt	KF 67-600		FİRÇA FİTİL / Brush Gasket - 6mm	4xSH
mt	KF 67-700		FİRÇA FİTİL / Brush Gasket - 7mm	(2xFH)+(2xFW)+CH+(2xCW)
mt	KF 67-1000		FİRÇA FİTİL / Brush Gasket - 10mm	(2xSH)+(4xSW)
AKSESUARLAR / ACCESSORIES				
1 Adet / Pcs	MO60-01		ALT KENET KAPAĞI / Interlock Profile Cap-Bottom	
1 Adet / Pcs	MO60-02		ÜST KENET KAPAĞI / Interlock Profile Cap-Top	
1 Adet / Pcs	MO60-03		MO60-10 ALT KAPAK PROFİLİ / Bottom Cover Profile	
1 Adet / Pcs	MO60-04		MO60-10 ÜST KAPAK PROFİLİ / Top Cover Profile	
2 Adet / Pcs	MO60-06D		ALT-ÜST HAVA KESİCİ / Central Sealing - Top/Bottom	
4 Adet / Pcs	MO60-13		KANAT DENGELEME PLASTİĞİ / Sash Stabilization Spacer	
2 Adet / Pcs	LS60-DB 3560		KANAT SABİTLEME PARÇASI / Sash Fixing Part	
20 Adet / Pcs	ASI-SB 19.1		KÖŞE GÖNYESİ / Corner Alignment	
8 Adet / Pcs	ASI-PB 1126 ASI-KT 1126		KÖŞE TAKOZU veya PİMLİ BAĞLANTI / Pres Corner Joint or Pin	
4 Adet / Pcs	ASI-KT 1429		KÖŞE TAKOZU / Pres Corner Joint	
8 Adet / Pcs	ASI-KT 2307		KÖŞE TAKOZU / Pres Corner Joint	
2 Adet / Pcs	ASI-SR 04		İKİLİ RULMAN / Double Roller	
1 Adet / Pcs	ASI-İSP 15.3		İSPANYOLET KİLİTLEME / Multi Point Lock	
3 Adet / Pcs	ASI-İSP K03		İSPANYOLET KİLİT KARŞILIĞI / Multi Point Strike	
1 Adet / Pcs	ASI-WH 002		İSPANYOLET KİLİTLEME KOL / Window Handle	



CAM KESİM ÖLÇÜLERİ / GLASS CUTTING SIZES (24mm CAM İÇİN / 24mm Glazing)		
KOD / Code	TANIMI / Description	KESİM ÖLÇÜSÜ / Cutting Dimensions
GW	HAREKETLİ KANAT CAM GENİŞLİK / Sash Glass Width	SW-172mm
GH	HAREKETLİ KANAT CAM YÜKSEKLİK / Sash Glass Height	SH-172mm
FGW	SABİT KISIM CAM GENİŞLİK / Fixed Glass Width	FW/2 - 82mm
FGH	SABİT KISIM CAM YÜKSEKLİK / Fixed Glass Height	FH - 64mm

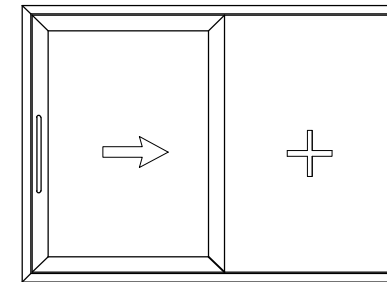
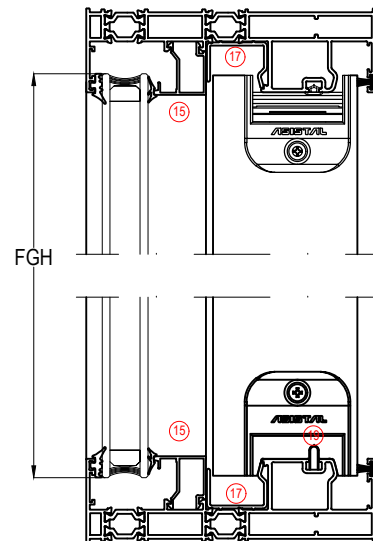
HAREKETLİ KANADI İÇERİDE OLAN MONORAIL SİSTEM - CAM YATAY ÖLÇÜLERİ EŞİT OLMASINA GÖRE
MONORAIL SYSTEM WITH SLIDING SASH INSIDE - ACCORDING TO THE EQUAL GLASS DIMENSIONS BOTH SASH AND FIXED PART



NOT: LS60 04 KASA, CAM KALINLIĞI 24mm DEN FAZLA OLAN CAMLARIN MONTAJI İÇİN UYGUN DEĞİLDİR
LS60 04 FRAME, NOT SUITABLE FOR INSTALLATION FOR GLASSES WITH GLASS THICKNESS MORE THAN 24mm

PROFİLLER / PROFILES					
NO / Number	ADET / Unit	KOD / Code	PROFİL ÇİZİMİ / Drawing	PROFİL TANIMI / Description	KESİM ÖLÇÜSÜ / Cutting Dimensions
1	2	LS60 04 LS60 104		DÜŞEY KASA PROFİLİ / Vertical Frame Profile	FH
2	2	LS60 04 LS60 104		YATAY KASA PROFİLİ / Horizontal Frame Profile	FW
3	1	LS60 11		DÜŞEY KANAT PROFİLİ / Vertical Sash Profile	SH=FW-67mm
4	2	LS60 11		YATAY KANAT PROFİLİ / Horizontal Sash Profile	SW=FW/2+81,5mm
5	1	LS60 112 LS60 113		ORTA KAYIT KENET PROFİLİ / Transom Locking Profile	LS60 112 = FH-43mm LS60 113 = FH
6	1	LS60 112 LS60 113		DÜŞEY KANAT PROFİLİ / Vertical Sash Profile	SH - 105,5 mm
7	1	LS60 45		KENET PROFİLİ / Central Locking Profile	LS40 42=SH
8	1	LS60 45		ORTA KAYIT KENET PROFİLİ / Transom Cover Profile	FH-43mm
9	1	LS60 31		ÜST KAPAK PROFİLİ / Top Cover Profile	CW=FW/2 - 30mm
10	1	LS60 31		YAN KAPAK PROFİLİ / Side Cover Profile	FH - 43 mm
11	1	LS60 32 LS60 31		ALT KAPAK PROFİLİ / Bottom Cover Profile	CW=FW/2 - 30mm
12	2	11-0xx		KANAT DÜŞEY CAM ÇİTASI / Sash Vertical Glazing Bead	G1=SH-203mm
13	2	11-0xx		KANAT YATAY CAM ÇİTASI / Sash Horizontal Glazing Bead	G2=SH-158mm
14	2	11-0xx		SABİT DÜŞEY CAM ÇİTASI / Fixed Vertical Glazing Bead	G3=FW - 86,6mm
15	2	11-0xx		SABİT YATAY CAM ÇİTASI / Fixed Horizontal Glazing Bead	G4=FW/2 - 65 mm
16	2	MO60-11		KENET PVC PROFİLİ / Central Locking PVC Profile	SH
17	2	MO60-07		YATAY KASA KANAL PVC / Horizontal PVC Channel Profile	FW
18	2	MO60-07		DÜŞEY KASA KANAL PVC / Vertical PVC Channel Profile	FH
19	1	ASH-1NR 03		ÇELİK RAY PROFİLİ / Steel Rail Profile	FW-84mm
20	1	LS60 44		İSPANYOLET KİLİTLEME KANAL PROFİLİ / Multi Lock Channel Profile	SH - 50 mm

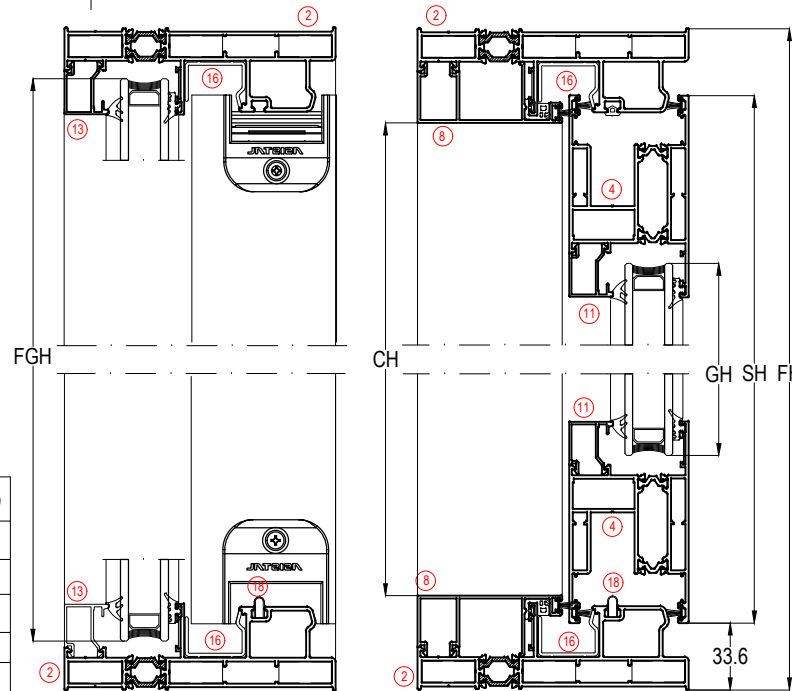
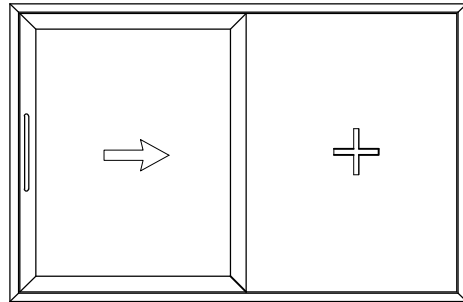
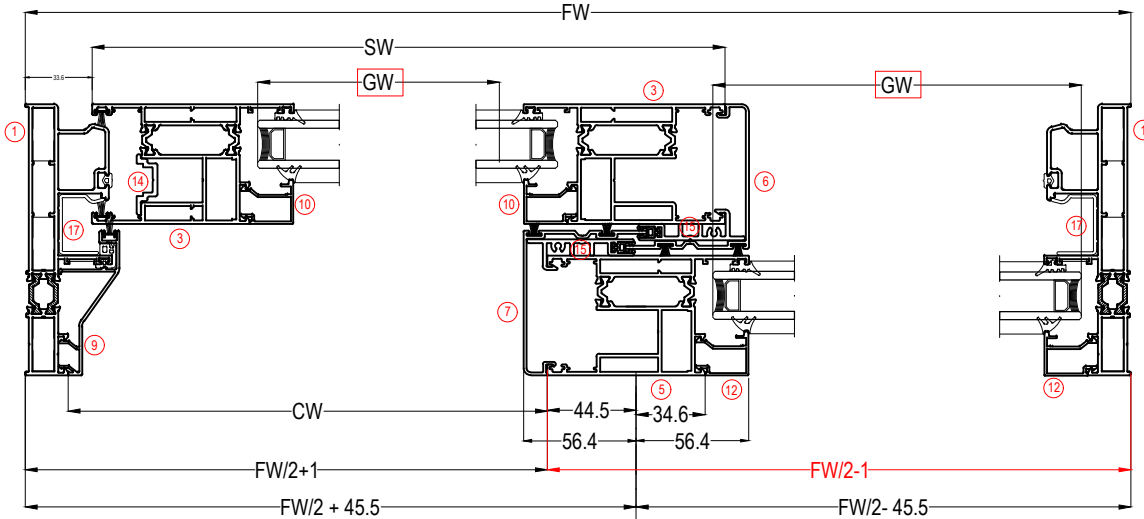
FİTİLLER / GASKETS				
MİKTAR / Unit	KOD / Code	PROFİL ÇİZİMİ / Drawing	PROFİL TANIMI / Description	KESİM ÖLÇÜSÜ / Cutting Dimensions
mt	EP1-01		DIŞ CAM FİTİLİ / Outer Glazing Gasket	2x(G1+G2+G3+G4)
mt	EP2-01		İÇ CAM FİTİLİ / Inner Glazing Gasket	2x(G1+G2+G3+G4)
mt	EP5-01		KANAL FİTİLİ / Adapter Gasket	2 x SH
mt	EP38-02		KASA FİTİLİ / Frame Gasket	(2xFH) + FW
mt	KF 67-600		FİRÇA FİTİL / Brush Gasket - 6mm	2xSH
mt	KF 67-700		FİRÇA FİTİL / Brush Gasket - 7mm	(2xFH)+(2xFW)+CH+(2xCW)
mt	KF 67-1000		FİRÇA FİTİL / Brush Gasket - 10mm	(2xSH)+(4xSW)
AKSESUARLAR / ACCESSORIES				
1 Adet / Pcs	MO60-01		ALT KENET KAPAĞI / Interlock Profile Cap-Bottom	
1 Adet / Pcs	MO60-02		ÜST KENET KAPAĞI / Interlock Profile Cap-Top	
2 Adet / Pcs	MO60-06D		ALT-ÜST HAVA KESİCİ / Central Sealing - Top/Bottom	
4 Adet / Pcs	MO60-13		KANAT DENGELEME PLASTİĞİ / Sash Stabilization Spacer	
4 Adet / Pcs	ASI-P-100		ORTA KANAT SABİTLEME PARÇASI / Sash Fixing	
16 Adet / Pcs	ASI-SB 19.1		KÖŞE GÖNYESİ / Corner Alignment	
8 Adet / Pcs	ASI-PB 1126 ASI-KT 1126		KÖŞE TAKOZU veya PİMLİ BAĞLANTI / Pres Corner Joint or Pin	
4 Adet / Pcs	ASI-KT 1429		KÖŞE TAKOZU / Pres Corner Joint	
4 Adet / Pcs	ASI-KT 2307		KÖŞE TAKOZU / Pres Corner Joint	
2 Adet / Pcs	ASI-SR 04		İKİLİ RULMAN / Double Roller	
1 Adet / Pcs	ASI-İSP 15.3		İSPANYOLET KİLİTLEME / Multi Point Lock	
3 Adet / Pcs	ASI-İSP K03		İSPANYOLET KİLİT KARŞILIĞI / Multi Point Strike	
1 Adet / Pcs	ASI-WH 002		İSPANYOLET KİLİTLEME KOL / Window Handle	



CAM KESİM ÖLÇÜLERİ / GLASS CUTTING SIZES (24mm CAM İÇİN 24mm Glazing)

KOD / Code	TANIMI / Description	KESİM ÖLÇÜSÜ / Cutting Dimensions
GW	HAREKETLİ KANAT CAM GENİŞLİK / Sash Glass Width	SW-172mm
GH	HAREKETLİ KANAT CAM YÜKSEKLİK / Sash Glass Height	SH-172mm
GW	SABİT KISIM CAM GENİŞLİK / Fixed Glass Width	SW-172mm (FW/2-91mm)
FGH	SABİT KISIM CAM YÜKSEKLİK / Fixed Glass Height	FH - 64mm

HAREKETLİ KANADI DIŞARIDA OLAN MONORAYİL SİSTEM - CAM YATAY ÖLÇÜLERİ EŞİT OLMASINA GÖRE
MONORAIL SYSTEM WITH SLIDING SASH OUTSIDE - ACCORDING TO THE EQUAL GLASS DIMENSIONS BOTH SASH AND FIXED PART



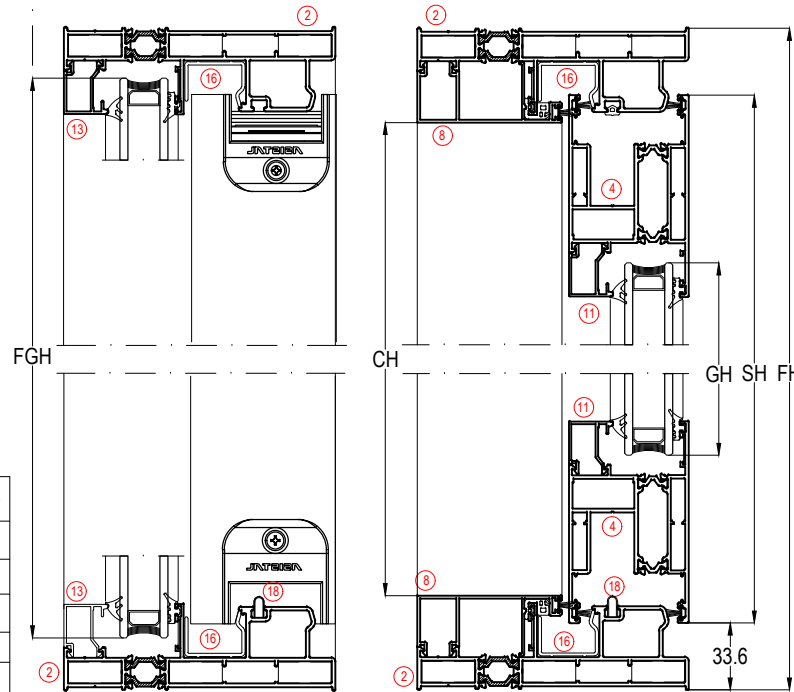
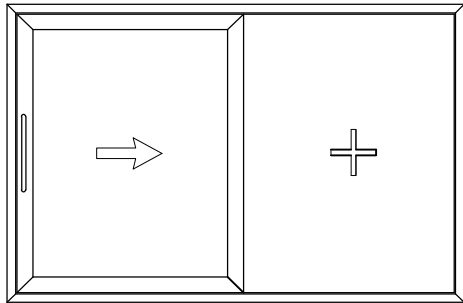
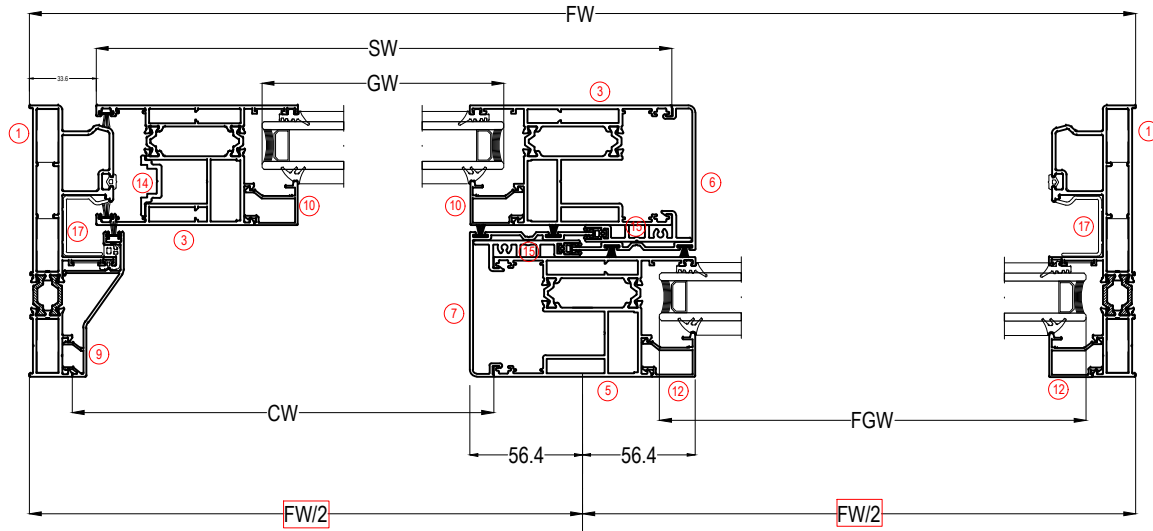
CAM KESİM ÖLÇÜLERİ / GLASS CUTTING SIZES (24mm CAM İÇİN/ 24mm Glazing)		
KOD / Code	TANIMI / Description	KESİM ÖLÇÜSÜ / Cutting Dimensions
GW	HAREKETLİ KANAT CAM GENİŞLİK / Sash Glass Width	SW - 172 mm
GH	HAREKETLİ KANAT CAM YÜKSEKLİK / Sash Glass Height	SH - 172 mm
GW	SABİT KISIM CAM GENİŞLİK / Fixed Glass Width	SW - 172 mm
FGH	SABİT KISIM CAM YÜKSEKLİK / Fixed Glass Height	FH - 57 mm

PROFİLLER / PROFILES					
NO / Number	ADET / Unit	KOD / Code	PROFİL ÇİZİMİ / Drawing	PROFİL TANIMI / Description	KESİM ÖLÇÜSÜ / Cutting Dimensions
2	2	LS60 118 LS60 119		DÜŞEY KASA PROFİLİ / Vertical Frame Profile	FH
2	2	LS60 118 LS60 119		YATAY KASA PROFİLİ / Horizontal Frame Profile	FW
3	2	LS60 11		DÜŞEY KANAT PROFİLİ / Vertical Sash Profile	SH=FW-67 mm
4	2	LS60 11		YATAY KANAT PROFİLİ / Horizontal Frame Profile	SW=FW/2 + 56,5 mm
5	1	LS60 11		ORTA KAYIT PROFİLİ / Transom Locking Profile	FH - 43mm
6	1	LS60 42		KENET PROFİLİ / Central Locking Profile	LS60 42=SH-6mm
7	1	LS60 42		ORTA KAYIT KENET PROFİLİ / Transom Cover	FH - 43mm
8	2	LS60 40		ALT-ÜST KAPAK PROFİLİ / Top/Bottom Cover Profile	CW=FW/2 - 21 mm
9	1	LS60 46		YAN KAPAK PROFİLİ / Side Cover Profile	CH=FH - 95 mm
10	2	11-0xx		KANAT DÜŞEY CAM ÇİTASI / Sash Vertical Glazing Bead	G1=SH - 202 mm
11	2	11-0xx		KANAT YATAY CAM ÇİTASI / Sash Horizontal Glazing Bead	G2=SW - 158 mm
12	2	11-0xx		SABİT DÜŞEY CAM ÇİTASI / Fixed Vertical Glazing Bead	G3=FH - 87 mm
13	2	11-0xx		SABİT YATAY CAM ÇİTASI / Fixed Horizontal Glazing Bead	G4=FW/2 - 55,5 mm
14	1	LS60 44		İSPANYOLET KİLİTLEME KANAL PROFİLİ / Multi Lock Channel Profile	SH - 50 mm
15	2	MO60-10		KENET PVC PROFİL / Central Locking PVC Profile	SH
16	2	MO60-07		YATAY KASA KANAL PVC / Horizontal PVC Channel Profile	FW
17	2	MO60-07		DÜŞEY KASA KANAL PVC / Vertical PVC Channel Profile	FH
18	1	ASI-NR 02		ÇELİK RAY PROFİLİ / Steel Rail Profile	FW-84 mm

FİTİLLER / GASKETS				
MİKTAR / Unit	KOD / Code	PROFİL ÇİZİMİ / Drawing	PROFİL TANIMI / Description	KESİM ÖLÇÜSÜ / Cutting Dimensions
mt	EP1-01		DIŞ CAM FİTİLİ / Outer Glazing Gasket	2x(G1+G2+G3+G4)
mt	EP2-01		İÇ CAM FİTİLİ / Inner Glazing Gasket	2x(G1+G2+G3+G4)
mt	EP60-R04		KENET FİTİLİ / Central Locking Gasket	2 x SH
mt	INT1-01		KASA FİTİLİ / Frame Gasket	(2xFH) + FW
mt	KF 67-600		FİRÇA FİTİL / Brush Gasket - 6mm	4xSH
mt	KF 67-700		FİRÇA FİTİL / Brush Gasket - 7mm	(2xFH)+(2xFW)+CH+(2xCW)
mt	KF 67-1000		FİRÇA FİTİL / Brush Gasket - 10mm	(2xSH)+(4xSW)
mt	EP38-03		SABİT ÇİTA FİTİLİ / Fixed Frame Gasket	CH + (2xCW)

AKSESUARLAR / ACCESSORIES				
1 Adet / Pcs	MO60-01		ALT KENET KAPAĞI / Interlock Profile Cap-Bottom	
1 Adet / Pcs	MO60-02		ÜST KENET KAPAĞI / Interlock Profile Cap-Top	
2 Adet / Pcs	MO60-03		MO60-10 ALT KAPAK PROFİLİ / Bottom Cover Profile	
2 Adet / Pcs	MO60-04		MO60-10 ÜST KAPAK PROFİLİ / Top Cover Profile	
2 Adet / Pcs	MO60-06D		ALT-ÜST HAVA KESİCİ / Central Sealing - Top/Bottom	
4 Adet / Pcs	MO60-13		KANAT DENGELEME PLASTİĞİ / Sash Stabilization Spacer	
2 Adet / Pcs	LS60-DB 3560		KANAT SABİTLEME PARÇASI / Sash Fixing	
12 Adet / Pcs	ASI-SB 19.1		KÖŞE GÖNYESİ / Corner Alignment	
12 Adet / Pcs	ASI-PB 1126 ASI-KT 1126		KASA KÖŞE TAKOZU veya PİMLİ BAĞLANTI Frame Corner Joint Pres or Button	
4 Adet / Pcs	ASI-KT 1429		KÖŞE TAKOZU / Pres Corner Joint	
8 Adet / Pcs	ASI-KT 2307		KÖŞE TAKOZU / Pres Corner Joint	
2 Adet / Pcs	ASI-SR 04		İKİLİ RULMAN / Double Roller	
1 Adet / Pcs	ASI-ISP 15.3		İSPANYOLET KİLİTLEME / Multi Point Lock	
3 Adet / Pcs	ASI-ISP K03		İSPANYOLET KİLİT KARŞILIĞI / Multi Point Strike	
1 Adet / Pcs	ASI-WH 002		İSPANYOLET KİLİTLEME KOL / Window Handle	

HAREKETLİ KANADI DIŞARIDA OLAN MONORAIL SİSTEM - ORTA KENET KİLİTLEME, TAM ORTADA OLMASINA GÖRE
MONORAIL SYSTEM WITH SLIDING SASH OUTSIDE - ACCORDING TO THE EQUAL CENTRAL LOCKING POINT



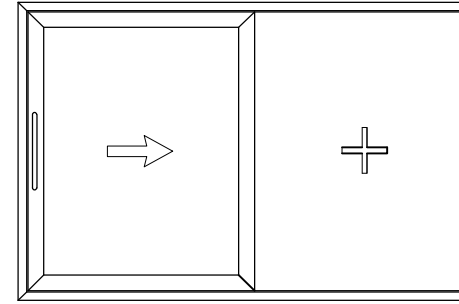
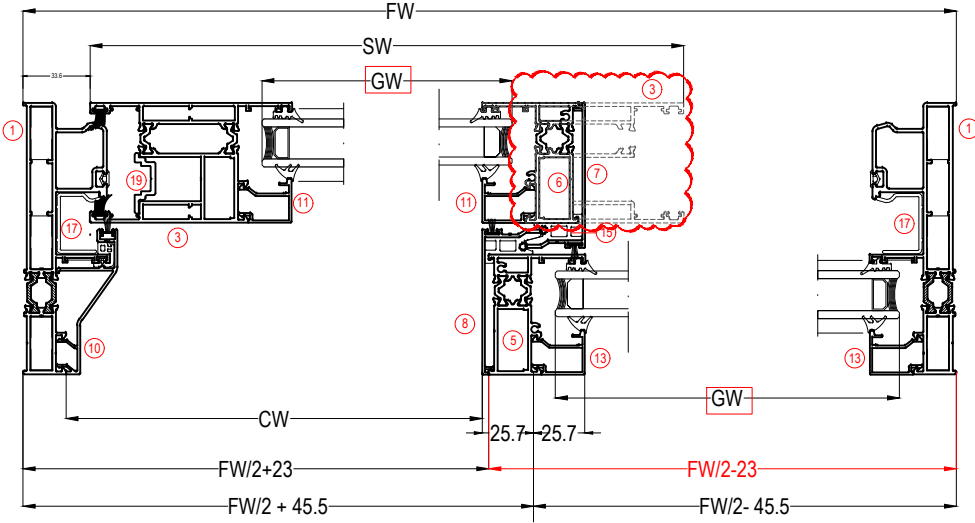
CAM KESİM ÖLÇÜLERİ / GLASS CUTTING SIZES (24mm CAM İÇİN/ 24mm Glazing)		
KOD / Code	TANIMI / Description	KESİM ÖLÇÜSÜ / Cutting Dimensions
GW	HAREKETLİ KANAT CAM GENİŞLİK / Sash Glass Width	SW - 172 mm
GH	HAREKETLİ KANAT CAM YÜKSEKLİK / Sash Glass Height	SH - 172 mm
FGW	SABİT KISIM CAM GENİŞLİK / Fixed Glass Width	FW/2 - 70 mm
FGH	SABİT KISIM CAM YÜKSEKLİK / Fixed Glass Height	FH - 57 mm

PROFİLLER / PROFILES					
NO / Number	ADET / Unit	KOD / Code	PROFİL ÇİZİMİ / Drawing	PROFİL TANIMI / Description	KESİM ÖLÇÜSÜ / Cutting Dimensions
1	2	LS60 118 LS60 119		DÜŞEY KASA PROFİLİ / Vertical Frame Profile	FH
2	2	LS60 118 LS60 119		YATAY KASA PROFİLİ / Horizontal Frame Profile	FW
3	2	LS60 11		DÜŞEY KANAT PROFİLİ / Vertical Sash Profile	SH=FW-67 mm
4	2	LS60 11		YATAY KANAT PROFİLİ / Horizontal Sash Profile	SW=FW/2+11 mm
5	1	LS60 11		ORTA KAYIT PROFİLİ / Transom Locking Profile	FH - 43mm
6	1	LS60 42		KENET PROFİLİ / Central Locking Profile	LS60 42=SH-6mm
7	1	LS60 42		ORTA KAYIT KENET PROFİLİ / Transom Cover	FH - 43mm
8	2	LS60 40		ALT-ÜST KAPAK PROFİLİ / Top/Bottom Cover Profile	CW=FW/2 - 66,5 mm
9	1	LS60 46		YAN KAPAK PROFİLİ / Side Cover Profile	CH=FW - 95 mm
10	2	11-0xx		KANAT DÜŞEY CAM ÇİTASI / Sash Vertical Glazing Bead	G1=SH - 202 mm
11	2	11-0xx		KANAT YATAY CAM ÇİTASI / Sash Horizontal Glazing Bead	G2=SW - 158 mm
12	2	11-0xx		SABİT DÜŞEY CAM ÇİTASI / Fixed Vertical Glazing Bead	G3=FW - 87 mm
13	2	11-0xx		SABİT YATAY CAM ÇİTASI / Fixed Horizontal Glazing Bead	G4=FW/2 - 55,5 mm
14	1	LS60 44		İSPANYOLET KİLİTLEME KANAL PROFİLİ / Multi Lock Channel Profile	SH - 50 mm
15	2	MO60-10		KENET PVC PROFİL / Central Locking PVC Profile	SH
16	2	MO60-07		YATAY KASA KANAL PVC / Horizontal PVC Channel Profile	FW
17	2	MO60-07		DÜŞEY KASA KANAL PVC / Vertical PVC Channel Profile	FH
18	1	ASH-INR 02		ÇELİK RAY PROFİLİ / Steel Rail Profile	FW-84 mm

FİTİLLER / GASKETS				
MİKTAR / Unit	KOD / Code	PROFİL ÇİZİMİ / Drawing	PROFİL TANIMI / Description	KESİM ÖLÇÜSÜ / Cutting Dimensions
mt	EP1-01		DIŞ CAM FİTİLİ / Outer Glazing Gasket	2x(G1+G2+G3+G4)
mt	EP2-01		İÇ CAM FİTİLİ / Inner Glazing Gasket	2x(G1+G2+G3+G4)
mt	EP60-R04		KENET FİTİLİ / Central Locking Gasket	2 x SH
mt	INT1-01		KASA FİTİLİ / Frame Gasket	(2xFH) + FW
mt	KF 67-600		FİRÇA FİTİL / Brush Gasket - 6mm	4xSH
mt	KF 67-700		FİRÇA FİTİL / Brush Gasket - 7mm	(2xFH)+(2xFW)+CH+(2xCW)
mt	KF 67-1000		FİRÇA FİTİL / Brush Gasket - 10mm	(2xSH)+(4xSW)
mt	EP38-03		SABİT ÇİTA FİTİLİ / Fixed Frame Gasket	CH + (2xCW)

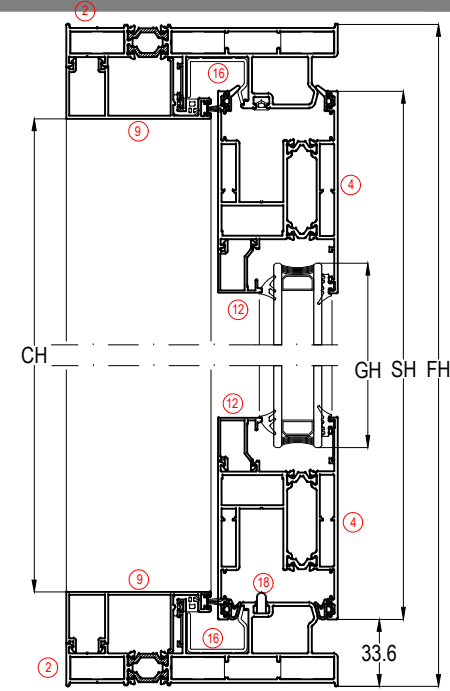
AKSESUARLAR / ACCESSORIES				
1 Adet / Pcs	MO60-01		ALT KENET KAPAĞI / Interlock Profile Cap-Bottom	
1 Adet / Pcs	MO60-02		ÜST KENET KAPAĞI / Interlock Profile Cap-Top	
2 Adet / Pcs	MO60-03		MO60-10 ALT KAPAK PROFİLİ / Bottom Cover Profile	
2 Adet / Pcs	MO60-04		MO60-10 ÜST KAPAK PROFİLİ / Top Cover Profile	
2 Adet / Pcs	MO60-06D		ALT-ÜST HAVA KESİCİ / Central Sealing - Top/Bottom	
4 Adet / Pcs	MO60-13		KANAT DENGELEME PLASTİĞİ / Sash Stabilization Spacer	
2 Adet / Pcs	LS60-DB 3560		KANAT SABİTLEME PARÇASI / Sash Fixing	
12 Adet / Pcs	ASI-SB 19.1		KÖŞE GÖNYESİ / Corner Alignment	
12 Adet / Pcs	ASI-PB 1126 ASI-KT 1126		KASA KÖŞE TAKOZU veya PİMLİ BAĞLANTI Frame Corner Joint Pres or Button	
4 Adet / Pcs	ASI-KT 1429		KÖŞE TAKOZU / Pres Corner Joint	
8 Adet / Pcs	ASI-KT 2307		KÖŞE TAKOZU / Pres Corner Joint	
2 Adet / Pcs	ASI-SR 04		İKİLİ RULMAN / Double Roller	
1 Adet / Pcs	ASH-ISP 15.3		İSPANYOLET KİLİTLEME / Multi Point Lock	
3 Adet / Pcs	ASH-ISP K03		İSPANYOLET KİLİT KARŞILIĞI / Multi Point Strike	
1 Adet / Pcs	ASH-WH 002		İSPANYOLET KİLİTLEME KOL / Window Handle	

HAREKETLİ KANADI DIŞARIDA OLAN MONORAIL SİSTEM - CAM YATAY ÖLÇÜLERİ EŞİT OLMASINA GÖRE
MONORAIL SYSTEM WITH SLIDING SASH OUTSIDE - ACCORDING TO THE EQUAL GLASS DIMENSIONS BOTH SASH AND FIXED PART



CAM KESİM ÖLÇÜLERİ / GLASS CUTTING SIZES (24mm CAM İÇİN/ 24mm Glazing)

KOD / Code	TANIMI / Description	KESİM ÖLÇÜSÜ / Cutting Dimensions
GW	HAREKETLİ KANAT CAM GENİŞLİK / Sash Glass Width	SW - 172 mm
GH	HAREKETLİ KANAT CAM YÜKSEKLİK / Sash Glass Height	SH - 172 mm
GW	SABİT KISIM CAM GENİŞLİK / Fixed Glass Width	SW - 172 mm (FW/2-85)
FGH	SABİT KISIM CAM YÜKSEKLİK / Fixed Glass Height	FH - 57 mm



PROFİLLER / PROFILES					
NO / Number	ADET / Unit	KOD / Code	PROFİL ÇİZİMİ / Drawing	PROFİL TANIMI / Description	KESİM ÖLÇÜSÜ / Cutting Dimensions
1	2	LS60 118 LS60 119		DÜŞEY KASA PROFİLİ / Vertical Frame Profile	FH
2	2	LS60 118 LS60 119		YATAY KASA PROFİLİ / Horizontal Frame Profile	FW
3	1	LS60 11		DÜŞEY KANAT PROFİLİ / Vertical Sash Profile	SH=FW-67 mm
4	2	LS60 11		YATAY KANAT PROFİLİ / Horizontal Sash Profile	SW=FW/2 + 87 mm
5	1	LS60 112 LS60 113		ORTA KAYIT KENET PROFİLİ / Transom Locking Profile	FH - 43mm
6	1	LS60 112 LS60 113		DÜŞEY KANAT PROFİLİ / Vertical Sash Profile	SH -105,5 mm
7	1	LS60 45		KENET PROFİLİ / Central Locking Profile	SH
8	1	LS60 45		ORTA KAYIT KENET PROFİLİ / Transom Cover	FH - 43mm
9	2	LS60 40		ALT-ÜST KAPAK PROFİLİ / Top/Bottom Cover Profile	FW/2 - 2 mm
10	1	LS60 46		YAN KAPAK PROFİLİ / Side Cover Profile	FH - 95 mm
11	2	11-0xx		KANAT DÜŞEY CAM ÇİTASI / Sash Vertical Glazing Bead	G1=SH - 202 mm
12	2	11-0xx		KANAT YATAY CAM ÇİTASI / Sash Horizontal Glazing Bead	G2=SW -159 mm
13	2	11-0xx		SABİT DÜŞEY CAM ÇİTASI / Fixed Vertical Glazing Bead	G3=FW - 87 mm
14	2	11-0xx		SABİT YATAY CAM ÇİTASI / Fixed Horizontal Glazing Bead	G4=FW/2 - 71 mm
15	2	MO60-11		KENET PVC PROFİL / Central Locking PVC Profile	SH
16	2	MO60-07		YATAY KASA KANAL PVC / Horizontal PVC Channel Profile	FW
17	2	MO60-07		DÜŞEY KASA KANAL PVC / Vertical PVC Channel Profile	FH
18	1	ASI-HNR 02		ÇELİK RAY PROFİLİ / Steel Rail Profile	FW-84 mm
19	1	LS60 44		İSPANYOLET KİLİTLEME KANAL PROFİLİ / Multi Lock Channel Profile	SH - 50 mm

FİTİLLER / GASKETS					
MİKTAR / Unit	KOD / Code	PROFİL ÇİZİMİ / Drawing	PROFİL TANIMI / Description	KESİM ÖLÇÜSÜ / Cutting Dimensions	
mt	EP1-01		DIŞ CAM FİTİLİ / Outer Glazing Gasket	2x(G1+G2+G3+G4)	
mt	EP2-01		İÇ CAM FİTİLİ / Inner Glazing Gasket	2x(G1+G2+G3+G4)	
mt	EP5-01		KANAL FİTİLİ / Adapter Gasket	2 x SH	
mt	INT1-01		KASA FİTİLİ / Frame Gasket	(2xFH) + FW	
mt	KF 67-600		FİRÇA FİTİL / Brush Gasket - 6mm	2xSH	
mt	KF 67-700		FİRÇA FİTİL / Brush Gasket - 7mm	(2xFH)+(2xFW)+CH+(2xCW)	
mt	KF 67-1000		FİRÇA FİTİL / Brush Gasket - 10mm	(2xSH)+(4xSW)	
mt	EP38-03		SABİT ÇİTA FİTİLİ / Fixed Frame Gasket	CH + (2xCW)	
AKSESUARLAR / ACCESSORIES					
1 Adet / Pcs	MO60-01		ALT KENET KAPAĞI / Interlock Profile Cap-Bottom		
1 Adet / Pcs	MO60-02		ÜST KENET KAPAĞI / Interlock Profile Cap-Top		
2 Adet / Pcs	MO60-06D		ALT-ÜST HAVA KESİCİ / Central Sealing - Top/Bottom		
4 Adet / Pcs	MO60-13		KANAT DENGELEME PLASTİĞİ / Sash Stabilization Spacer		
2 Adet / Pcs	ASI-P-100		ORTA KANAT SABİTLEME PARÇASI / Sash Fixing		
12 Adet / Pcs	ASI-SB 19.1		KÖŞE GÖNYESİ / Corner Alignment		
12 Adet / Pcs	ASI-PB 1126 ASI-KT 1126		KASA KÖŞE TAKOZU veya PİMLİ BAĞLANTI / Frame Corner Joint Pres or Button		
4 Adet / Pcs	ASI-KT 1429		KÖŞE TAKOZU / Pres Corner Joint		
4 Adet / Pcs	ASI-KT 2307		KÖŞE TAKOZU / Pres Corner Joint		
2 Adet / Pcs	ASI-SR 04		İKİLİ RULMAN / Double Roller		
1 Adet / Pcs	ASH-SP 15.3		İSPANYOLET KİLİTLEME / Multi Point Lock		
3 Adet / Pcs	ASH-SP K03		İSPANYOLET KİLİT KARŞILIĞI / Multi Point Strike		
1 Adet / Pcs	ASI-WH 002		İSPANYOLET KİLİTLEME KOL / Window Handle		

