

# INTERNO 42

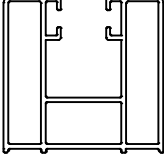
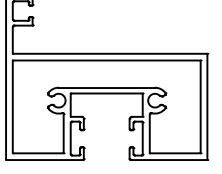
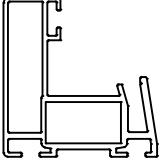
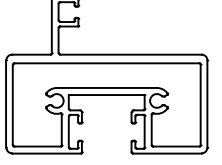

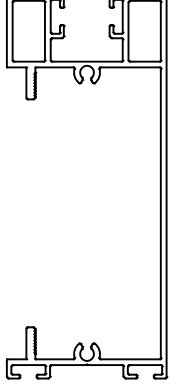
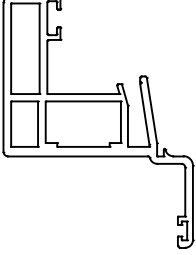
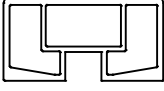

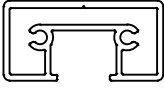
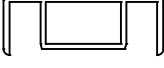

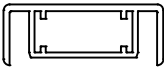
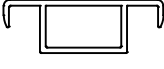
TEK CAMLI OFİS BÖLME SİSTEMİ

OFFICE PARTITION SYSTEM WITH SINGLE GLASS



### PROFİL VE AKSESUAR LİSTELERİ *PROFILE & ACCESSORIES LISTS*

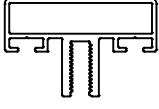


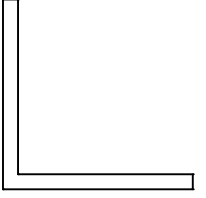
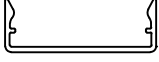



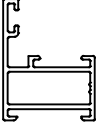

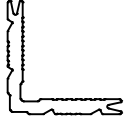
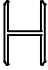

### PROFİL LİSTESİ - PROFILES LIST

<b>BR25-20</b>			<b>BR25-23</b>		
KASA PROFİLİ <i>FRAME PROFILE</i>	AĞIRLIK / Weight 0,879 kg/mt		KAPI KASA PROFİLİ <i>DOOR FRAME PROFILE</i>	AĞIRLIK / Weight 1,261 kg/mt	
<b>BR25-21</b>			<b>INT42-04</b>		
KASA PROFİLİ <i>FRAME PROFILE</i>	AĞIRLIK / Weight 0,789 kg/mt		CAM KAPI KASA PROFİLİ <i>GLASS DOOR FRAME PROFILE</i>	AĞIRLIK / Weight 1,200 kg/mt	
<b>BR25-22</b>			<b>BR25-35</b>		
KASA ÇITA PROFİLİ <i>FRAME GLAZING PROFILE</i>	AĞIRLIK / Weight 0,419 kg/mt		KASA-KABLO KANAL PROFİLİ <i>CABLE CHANNEL PROFILE</i>	AĞIRLIK / Weight 1,320 kg/mt	
<b>BR26-44</b>					
BİNİLİ KASA PROFİLİ <i>FRAME PROFILE</i>	AĞIRLIK / Weight 1,301 kg/mt				
<b>BR24-21</b>			<b>BR25-36</b>		
CAM KAPI KANAT PROFİLİ <i>DOOR SASH PROFILE</i>	AĞIRLIK / Weight 0,788 kg/mt		KASA-KABLO KANAL PROFİLİ <i>CABLE CHANNEL PROFILE</i>	AĞIRLIK / Weight 1,957 kg/mt	
<b>BR24-24</b>					SC: 1/2
CAM KAPI KANAT PROFİLİ <i>DOOR SASH PROFILE</i>	AĞIRLIK / Weight 0,729 kg/mt				
<b>BR24-22</b>			<b>SN80-765-12</b>		
KAPI KANAT PROFİLİ <i>DOOR SASH PROFILE</i> Glass 8mm	AĞIRLIK / Weight 0,518 kg/mt		KASA-KABLO KANAL PROFİLİ <i>CABLE CHANNEL PROFILE</i>	AĞIRLIK / Weight 0,328 kg/mt	
<b>BR24-28</b>					
KAPI KANAT PROFİLİ <i>DOOR SASH PROFILE</i> Glass 5mm	AĞIRLIK / Weight 0,540 kg/mt				
<b>BR24-23</b>					
KAPI KANAT PROFİLİ <i>DOOR SASH PROFILE</i>	AĞIRLIK / Weight 0,391 kg/mt				

Profil ağırlıklarımız teorik olup; teslim anındaki tartımız geçerlidir.

Profile weights are theoretical and the weight at the time of delivery is valid.


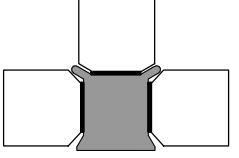

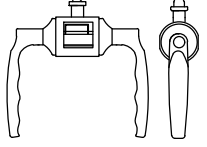



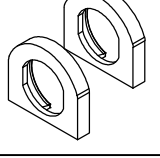

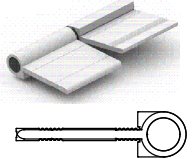

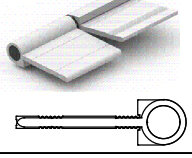

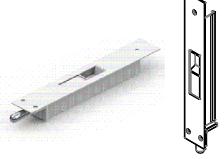
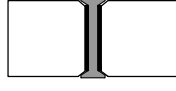
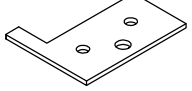

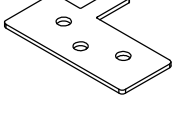
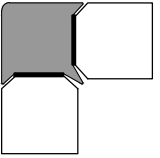
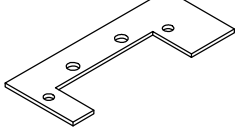
### PROFİL LİSTESİ - PROFILES LIST

<b>INT42-01</b>			<b>23-1316</b>		
ORTA KAYIT PROFİLİ <i>MULLION/TRANSOM PROFILE</i>	AĞIRLIK / Weight 0,583 kg/mt		"H" PROFİLİ - 5+0,76 pvb+5 CAM İÇİN <i>"H" PROFILE FOR 10mm GLS.</i>	AĞIRLIK / Weight 0,133 kg/mt	
<b>INT42-02</b>			<b>03-050050-40</b>		
ORTA KAYIT BASKI KAPAK PROFİLİ <i>COVER PROFILE</i>	AĞIRLIK / Weight 0,238 kg/mt		L PROFİL (50x50X4) <i>L PROFILE</i>	AĞIRLIK / Weight 1,037 kg/mt	
<b>INT42-03</b>					
ORTA KAYIT KAPAK PROFİLİ <i>COVER PROFILE</i>	AĞIRLIK / Weight 0,254 kg/mt				
<b>BR24-31</b>			<b>1264</b>		
ADAPTÖR PROFİLİ <i>ADAPTER PROFILE</i>	AĞIRLIK / Weight 0,331 kg/mt		U PROFİL (25X12) <i>U PROFILE</i>	AĞIRLIK / Weight 0,220 kg/mt	
<b>INT42-05</b>					
ADAPTÖR PROFİLİ <i>ADAPTER PROFILE</i>	AĞIRLIK / Weight 0,361 kg/mt				
<b>13-09096</b>					
KASA PROFİLİ <i>FRAME PROFILE</i> BR27-21	AĞIRLIK / Weight 0,359 kg/mt				
<b>TK11-040-12</b>					
CAM ÇİTASI <i>GLAZING BEAD PROFILE</i>	AĞIRLIK / Weight 0,130 kg/mt				
<b>FC10-080-00</b>					
KÖŞE TAKOZU - 8 mm <i>CORNER JOINT</i>	AĞIRLIK / Weight 2,038 kg/mt				
<b>13-09080</b>					
"H" PROFİLİ - 8mm CAM <i>"H" PROFILE FOR 8mm GLASS</i>	AĞIRLIK / Weight 0,111 kg/mt				
<b>13-09081</b>					
"H" PROFİLİ - 10mm CAM <i>"H" PROFILE FOR 10mm GLASS</i>	AĞIRLIK / Weight 0,140 kg/mt				

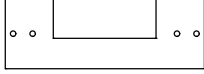

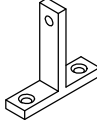
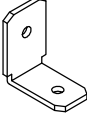
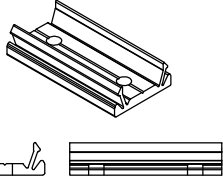
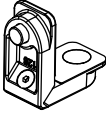
Profil ağırlıklarımız teorik olup; teslim anındaki tartımız geçerlidir.

Profile weights are theoretical and the weight at the time of delivery is valid.

### AKSESUAR LİSTESİ - ACCESSORIES LIST

<b>MO-60</b>			<b>INT-05T</b>		
<b>KENET BİNİ FİTİLİ</b> <i>CENTRAL SEALING GASKET</i>	KOLİ MİKTARI/Package 200 mt		<b>3'LÜ CAM BAĞLANTI</b> <b>KÖŞE DÖNÜŞ FİTİLİ</b> <b>BANTLI - 10mm</b> <i>CORNER GLASS GASKET</i>	KOLİ MİKTARI/Package 3,2 mt / adet	
<b>INT-004</b>			<b>ASI-HCS 01</b>		
<b>KAPI KANAT CAM FİTİLİ</b> <b>8mm CAM</b> <i>DOOR SASH GLASS GASKET</i>	KOLİ MİKTARI/Package Adet / 6mt		<b>AHŞAP VE CAM KAPI</b> <b>KOLU</b> <i>WOOD &amp; GLASS DOOR</i> <i>HANDLE</i>	KOLİ MİKTARI/Package Takım / Set	
<b>INT-005</b>					
<b>KAPI KANAT CAM FİTİLİ</b> <b>10mm CAM</b> <i>DOOR SASH GLASS GASKET</i>	KOLİ MİKTARI/Package Adet / 6mt				
<b>INT1-01</b>			<b>ASI-HCS 01A</b>		
<b>CAM FİTİLİ - 8mm</b> <i>FRAME GASKET - 8mm</i>	KOLİ MİKTARI/Package 500 mt / 15 kg		<b>CAM KAPI KOL AYNASI</b> <b>TEK CAM</b> <i>GLASS DOOR HANDLE</i> <i>ACCESSORY - Single Glass</i>	KOLİ MİKTARI/Package Takım / Set	
<b>INT1-03</b>			<b>ASI-INT 01-S</b>		
<b>CAM FİTİLİ - 10mm</b> <i>GLASS GASKET - 10mm</i>	KOLİ MİKTARI/Package 500 mt / 15 kg		<b>KAPI YAPRAK MENTEŞE</b> <b>KANAT TEK CAM</b> <i>DOOR HINGE - SINGLE GLASS</i>	KOLİ MİKTARI/Package Adet / Piece	
<b>EP3-03</b>			<b>ASI-INT 01-D</b>		
<b>KANAT BİNİ FİTİLİ</b> <i>SASH GASKET</i>	KOLİ MİKTARI/Package 430 mt / 15 kg		<b>KAPI YAPRAK MENTEŞE</b> <b>KANAT ÇİFT CAM - AHŞAP</b> <i>DOOR HINGE - DOUBLE</i> <i>GLASS - WOOD</i>	KOLİ MİKTARI/Package Adet / Piece	
<b>EP2-01</b>			<b>ASI-AK 545</b>		
<b>İÇ CAM FİTİLİ - 3mm</b> <i>INNER GLAZING GASKET</i>	KOLİ MİKTARI/Package 440 mt / 15 kg		<b>SÜRGÜ KİLİTLEME</b> <i>SASH FIXING BOLT</i>	KOLİ MİKTARI/Package Adet / Piece	
<b>INT-04</b>			<b>DB-BR2523</b>		
<b>CAM ARASI ŞEFFAF</b> <b>FİTİL BANTLI - 10mm</b> <i>GLASS JOINT TAPE GASKET</i>	KOLİ MİKTARI/Package 3,2 mt / adet		<b>BR25-23 DİK BAĞLANTI</b> <i>BR25-23 T - JOINT</i>	KOLİ MİKTARI/Package Adet / Piece	
<b>INT-04A</b>			<b>DB-INT04</b>		
<b>CAM ARASI ŞEFFAF</b> <b>FİTİL BANTLI - 8mm</b> <i>GLASS JOINT GASKET</i>	KOLİ MİKTARI/Package 3,2 mt / adet		<b>INT42-04 DİK BAĞLANTI</b> <i>INT42-04 T - JOINT</i>	KOLİ MİKTARI/Package Adet / Piece	
<b>INT-05L</b>			<b>DB-BR2535</b>		
<b>CAM CAMA 90°</b> <b>KÖŞE DÖNÜŞ FİTİLİ</b> <b>BANTLI - 10mm</b> <i>CORNER GLASS GASKET</i>	KOLİ MİKTARI/Package 3,2 mt / adet		<b>BR25-35 DİK BAĞLANTI</b> <i>BR25-35 T - JOINT</i>	KOLİ MİKTARI/Package Adet / Piece	

### AKSESUAR LİSTESİ - ACCESSORIES LIST

<b>DB-BR2536</b>				
BR25-35 DİK BAĞLANTI <i>BR25-35 T JOINT</i>	KOLİ MİKTARI/Package Adet / Piece			
<b>ASI-SB 19.1</b>				
KÖŞE GÖNYESİ <i>CORNER ALIGNMENT</i>	KOLİ MİKTARI/Package 1000 Adet / Piece			
<b>DB-INT05</b>				
DİK BAĞLANTI <i>T-CONNECTIONS</i>	KOLİ MİKTARI/Package 400 Adet / Piece			
<b>ASI-P 100.1</b>				
ORTA KAYIT BAĞLANTI BR25-21 ve BR26-44 İÇİN <i>T - JOINT FOR BR25-21 &amp; BR26-44</i>	KOLİ MİKTARI/Package Adet / Piece			
<b>EM25-23</b>				
CAM ÇITA BAĞLANTI BR25-23 <i>GLAZING BEAD ADAPTOR BR25-23</i>	KOLİ MİKTARI/Package Adet / Piece			
<b>ASI-PB 1119</b>				
PİMLİ KÖŞE BAĞLANTI <i>CORNER JOINT</i>	KOLİ MİKTARI/Package Adet / Piece			

# INTERNO 42

TEK CAMLI OFIS BÖLME SİSTEMİ  
OFFICE PARTITION SYSTEM WITH SINGLE GLASS

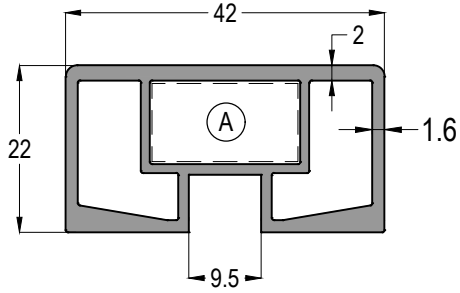
**ASISTAL**

## PROFİL DETAYLARI *PROFILE DETAILS*

# INTERNO 42

TEK CAMLI OFIS BÖLME SİSTEMİ  
OFFICE PARTITION SYSTEM WITH SINGLE GLASS

## ASISTAL



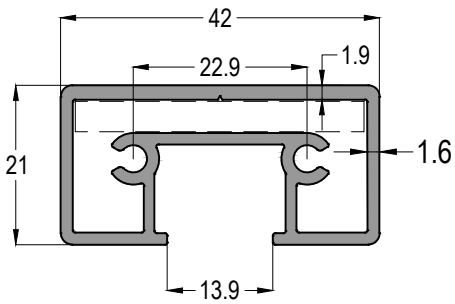
### BR24-21



ASI-PB 1119

AĞIRLIK / Weight

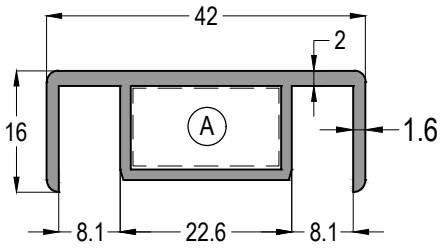
0,788 kg/mt



### BR24-24

AĞIRLIK / Weight

0,729 kg/mt



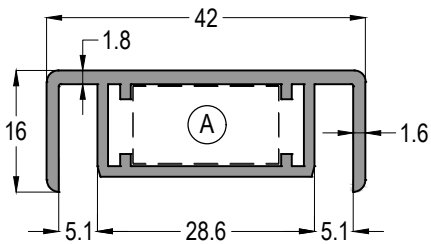
### BR24-22



ASI-PB 1119

AĞIRLIK / Weight

0,518 kg/mt



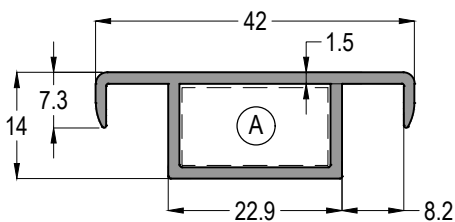
### BR24-28



ASI-PB 1119

AĞIRLIK / Weight

0,540 kg/mt



### BR24-23



ASI-PB 1119

AĞIRLIK / Weight

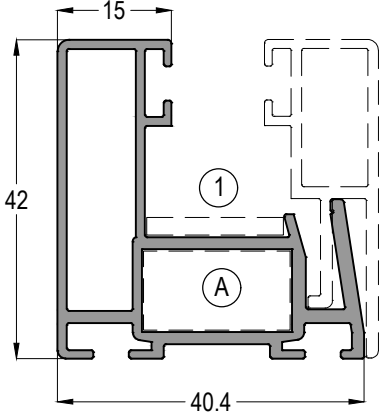
0,391 kg/mt





# INTERNO 42

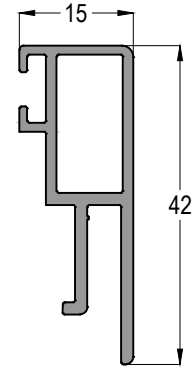
TEK CAMLI OFIS BÖLME SİSTEMİ  
OFFICE PARTITION SYSTEM WITH SINGLE GLASS

## ASISTAL



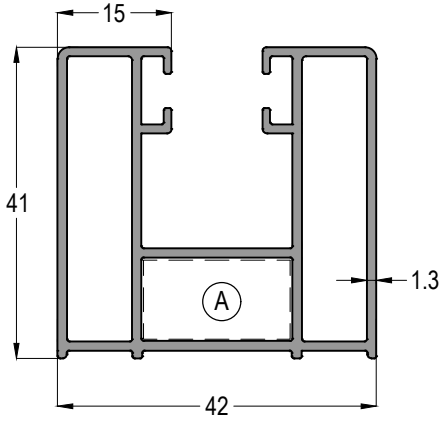
### BR25-21

 ASI-PB 1119	 ASI-P 100.1	AĞIRLIK / Weight
		0,789 kg/mt



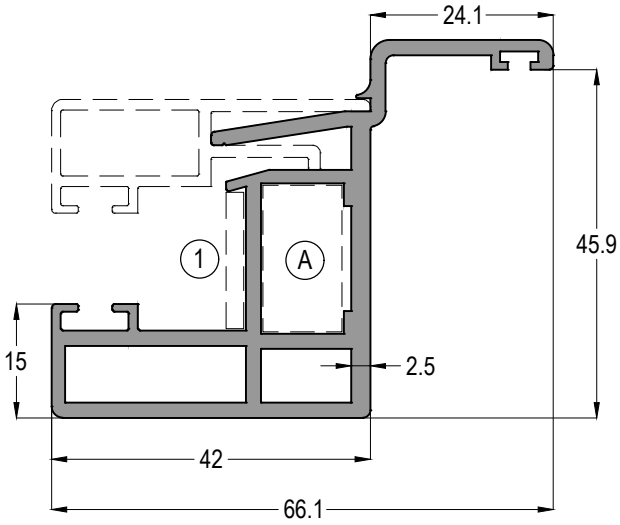
### BR25-22

0,419 kg/mt


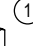


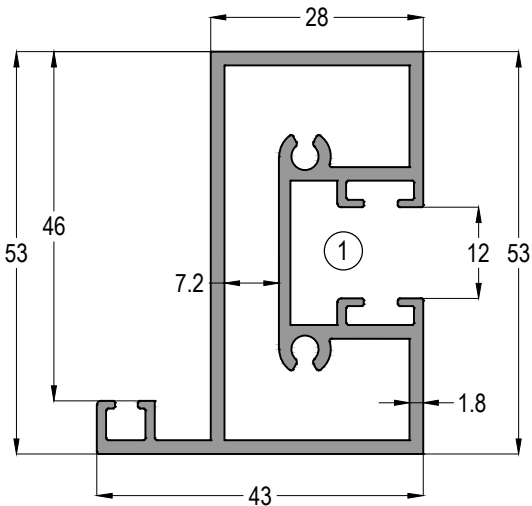
### BR25-20

 ASI-PB 1119	AĞIRLIK / Weight
0,879 kg/mt	




### BR26-44

 ASI-PB 1119	 ASI-P 100.1	AĞIRLIK / Weight
		1,301 kg/mt



### BR25-23

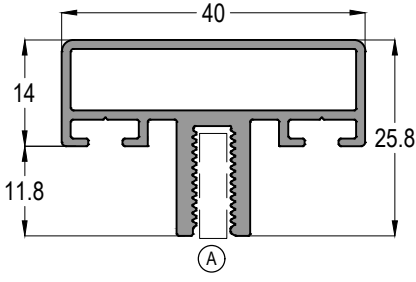
 DB-BR2523	AĞIRLIK / Weight
1,261 kg/mt	

Profil ağırlıklarımız teorik olup; teslim anındaki tartımız geçerlidir.  
Profile weights are theoretical and the weight at the time of delivery is valid.

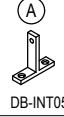
# INTERNO 42

TEK CAMLI OFIS BÖLME SİSTEMİ  
OFFICE PARTITION SYSTEM WITH SINGLE GLASS

## ASISTAL



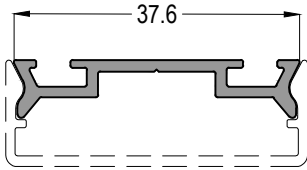
INT42-01



DB-INT05

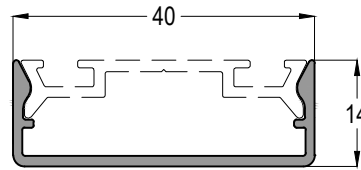
AĞIRLIK / Weight

0,583 kg/mt



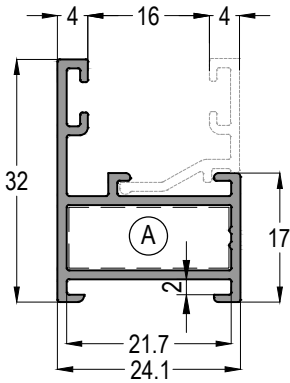
INT42-02

0,238 kg/mt



INT42-03

0,254 kg/mt



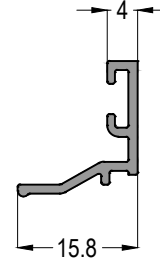
13-09096



ASI-KT 0821

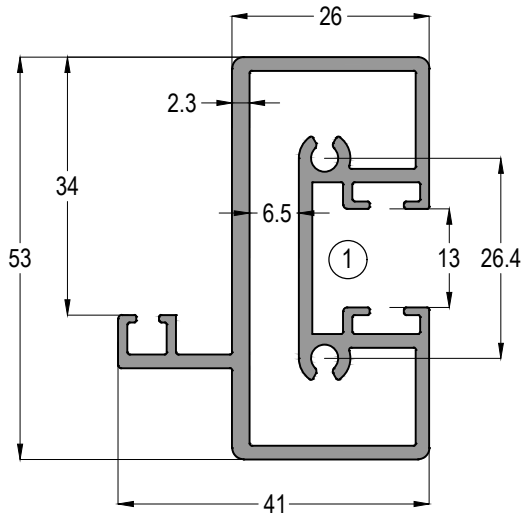
AĞIRLIK / Weight

0,359 kg/mt

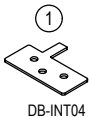


TK11-040-12

0,130 kg/mt



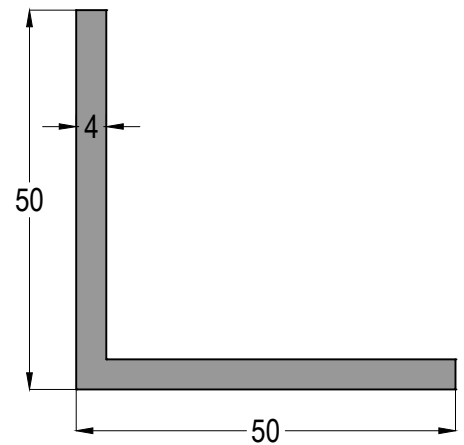
INT42-04



DB-INT04

AĞIRLIK / Weight

1,200 kg/mt



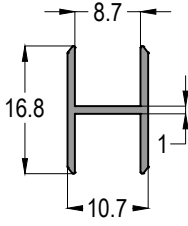
03-050050-40

1,037 kg/mt

# INTERNO 42

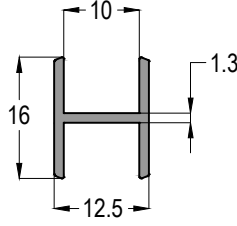
TEK CAMLI OFIS BÖLME SİSTEMİ  
OFFICE PARTITION SYSTEM WITH SINGLE GLASS

## ASISTAL



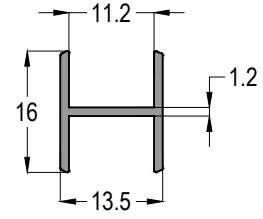
13-09080

0,111 kg/mt



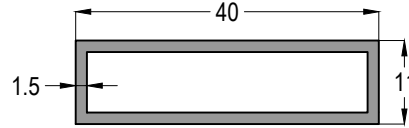
13-09081

0,140 kg/mt



23-1316

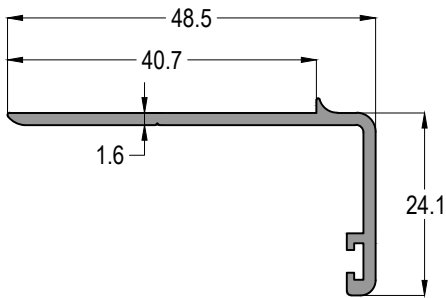
0,133 kg/mt



02-040011-15

AĞIRLIK / Weight

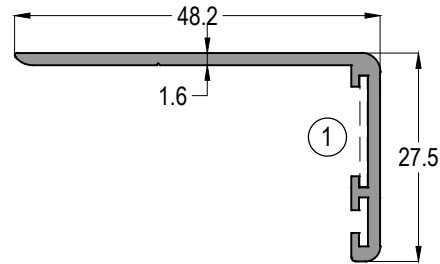
0,389 kg/mt



BR24-31

AĞIRLIK / Weight

0,331 kg/mt



INT42-05

①



ASI-SB 19.1

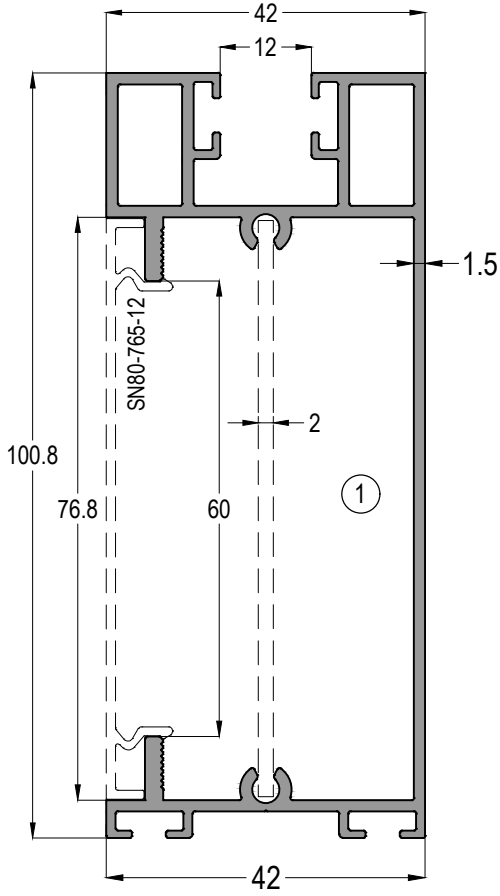
AĞIRLIK / Weight

0,361 kg/mt

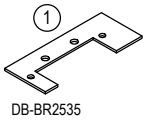
# INTERNO 42

TEK CAMLI OFIS BÖLME SİSTEMİ  
OFFICE PARTITION SYSTEM WITH SINGLE GLASS

**ASISTAL**



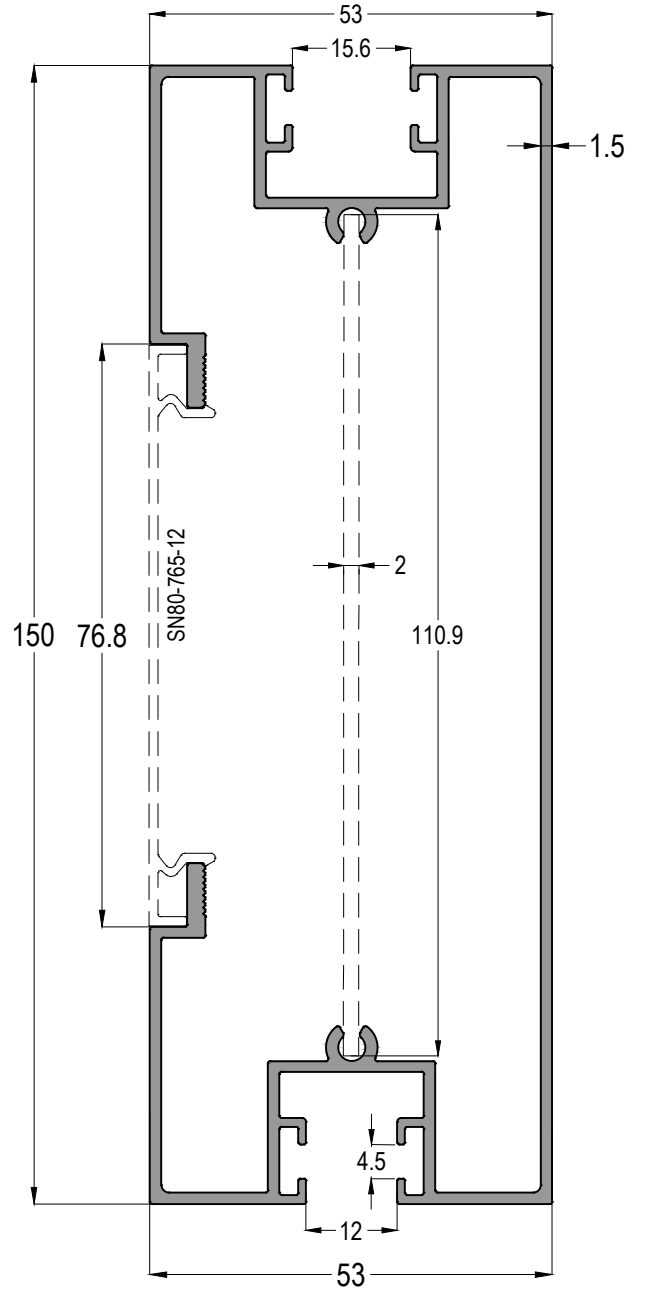
## BR25-35



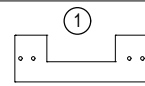
DB-BR2535

AĞIRLIK / Weight

1,320 kg/mt



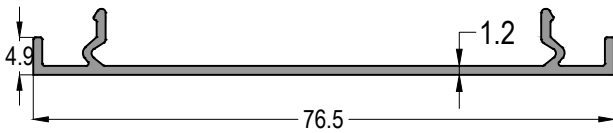
## BR25-36



DB-BR2536

AĞIRLIK / Weight

1,957 kg/mt



## SN80-765-12

AĞIRLIK / Weight

0,328 kg/mt

# INTERNO 42

TEK CAMLI OFİS BÖLME SİSTEMİ  
OFFICE PARTITION SYSTEM WITH SINGLE GLASS

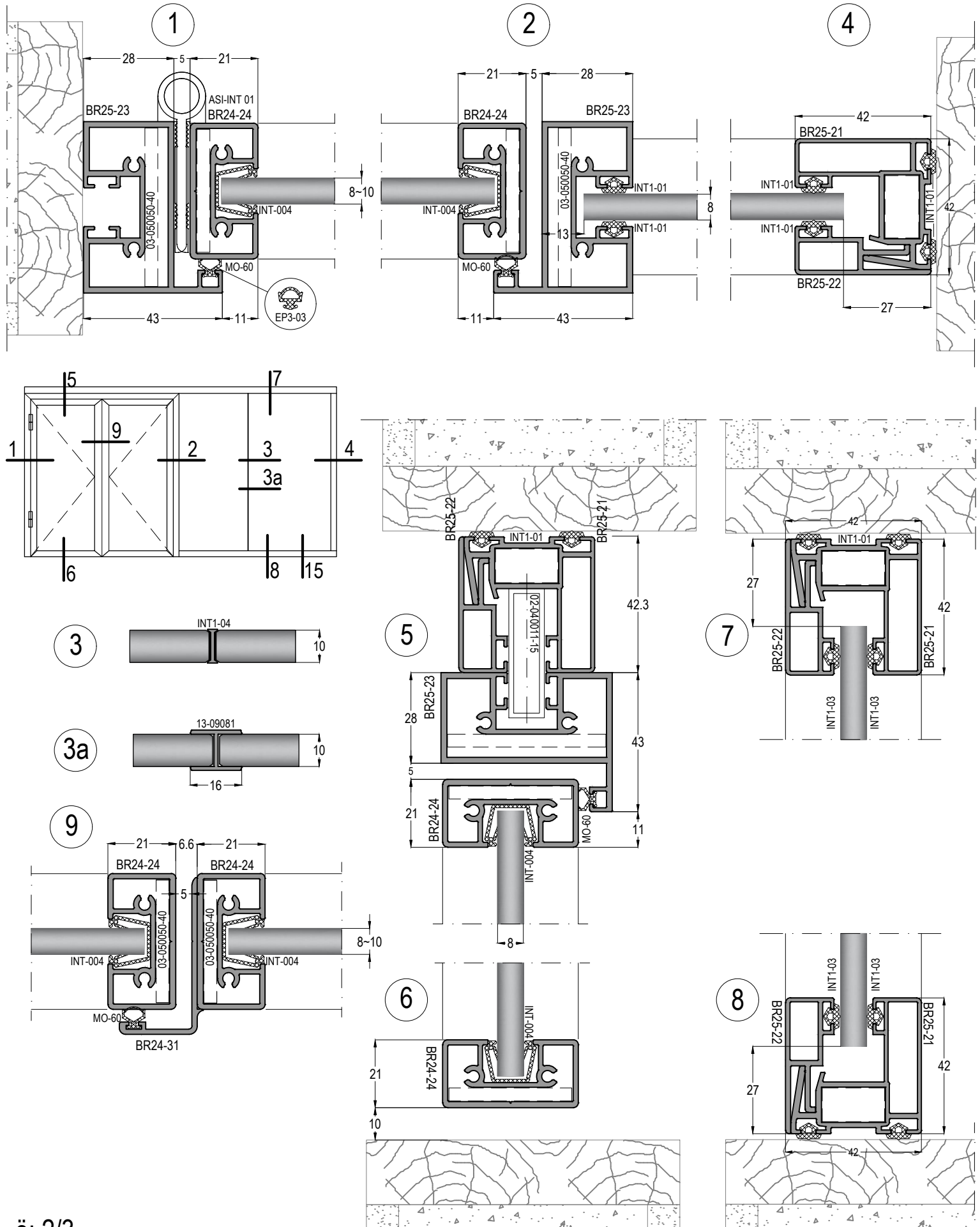
**ASISTAL**

## SİSTEM DETAYLARI *SYSTEM DETAILS*

# INTERNO 42

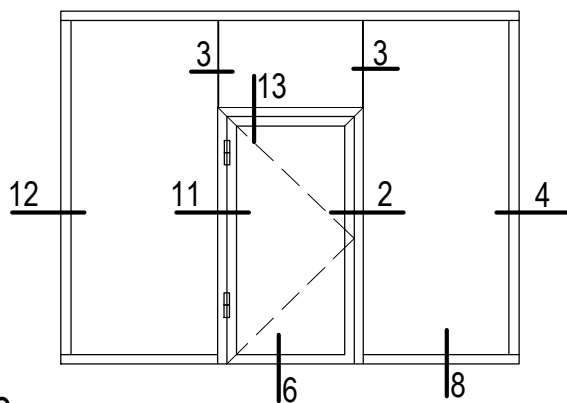
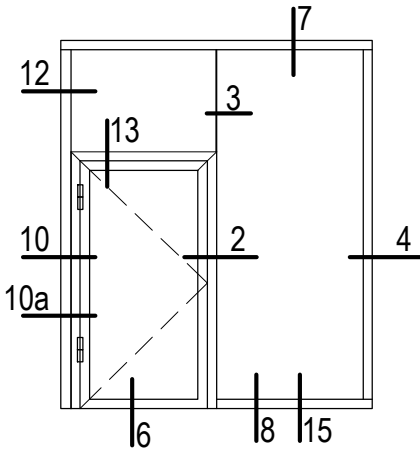
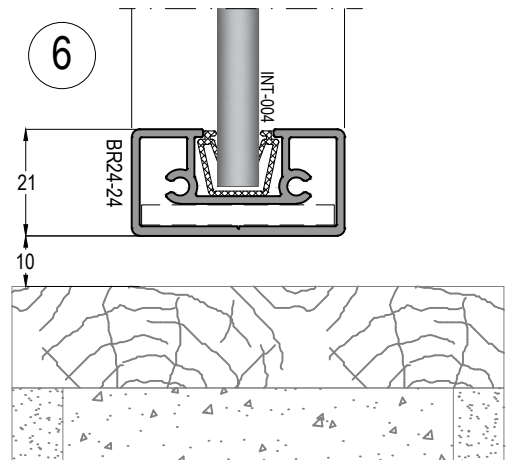
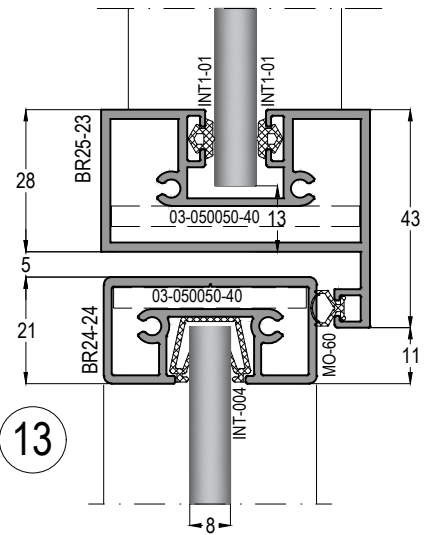
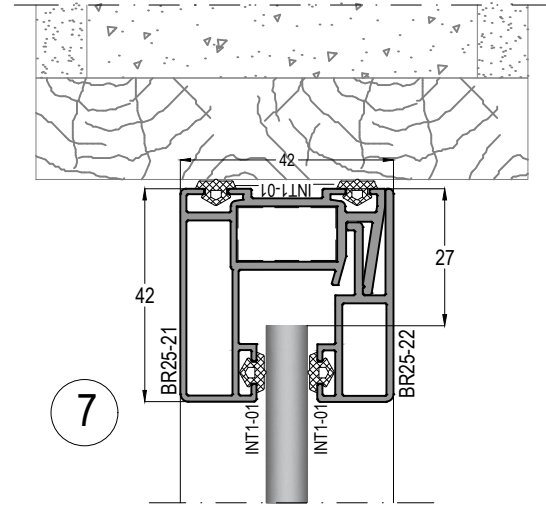
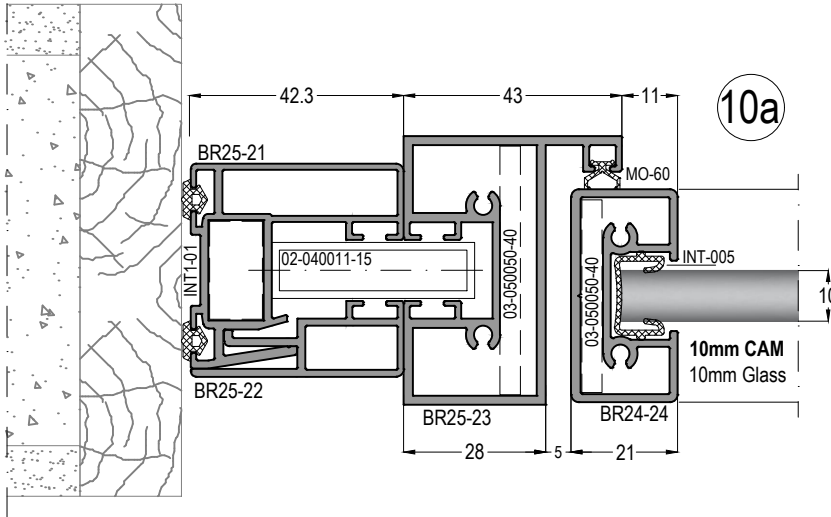
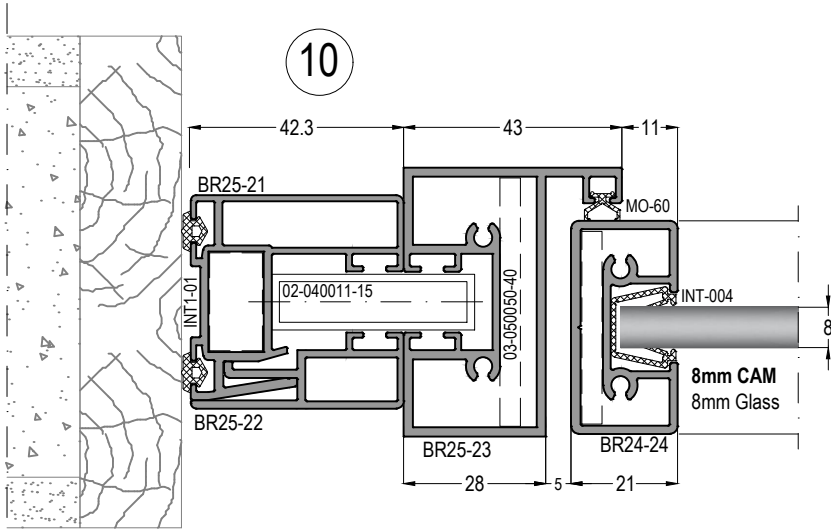
TEK CAMLI OFIS BÖLME SİSTEMİ  
OFFICE PARTITION SYSTEM WITH SINGLE GLASS

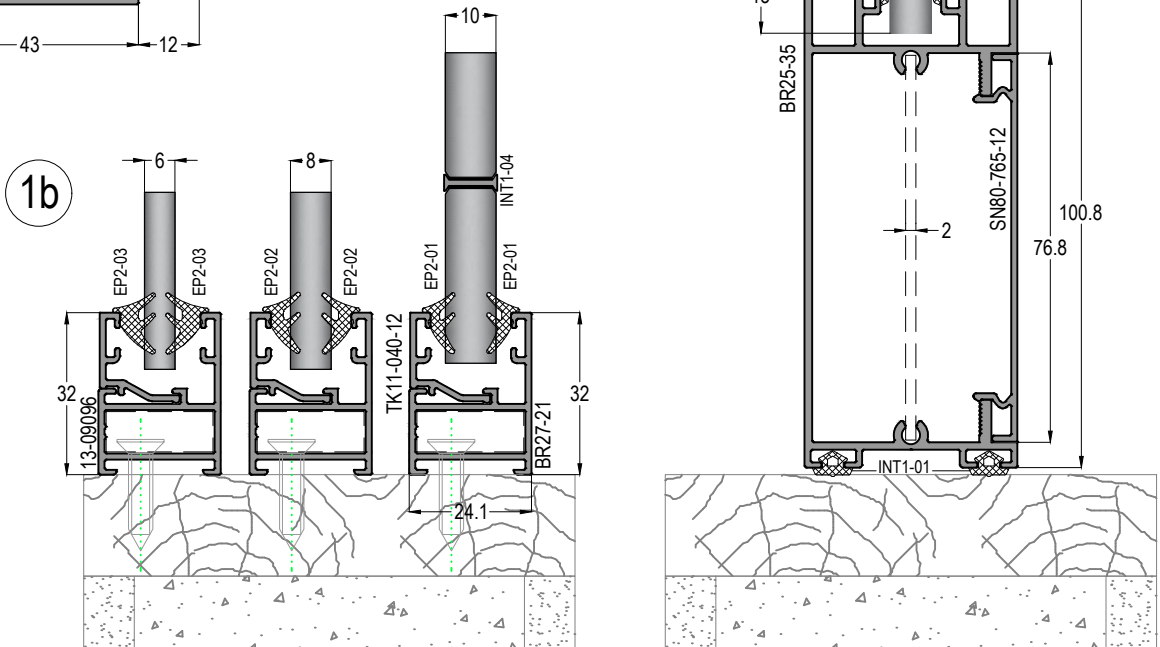
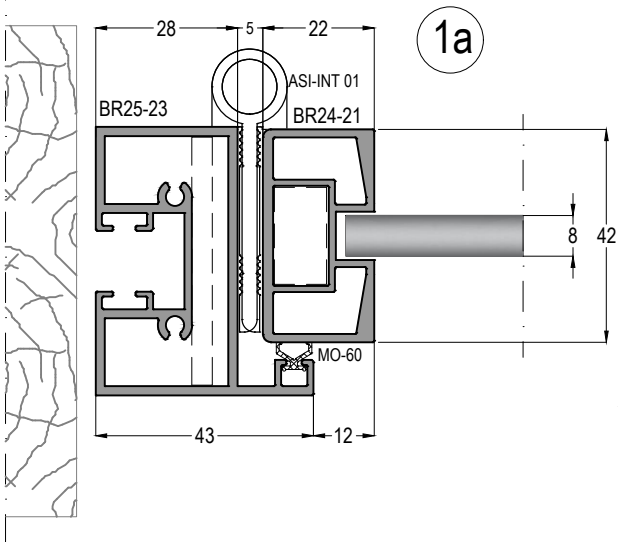
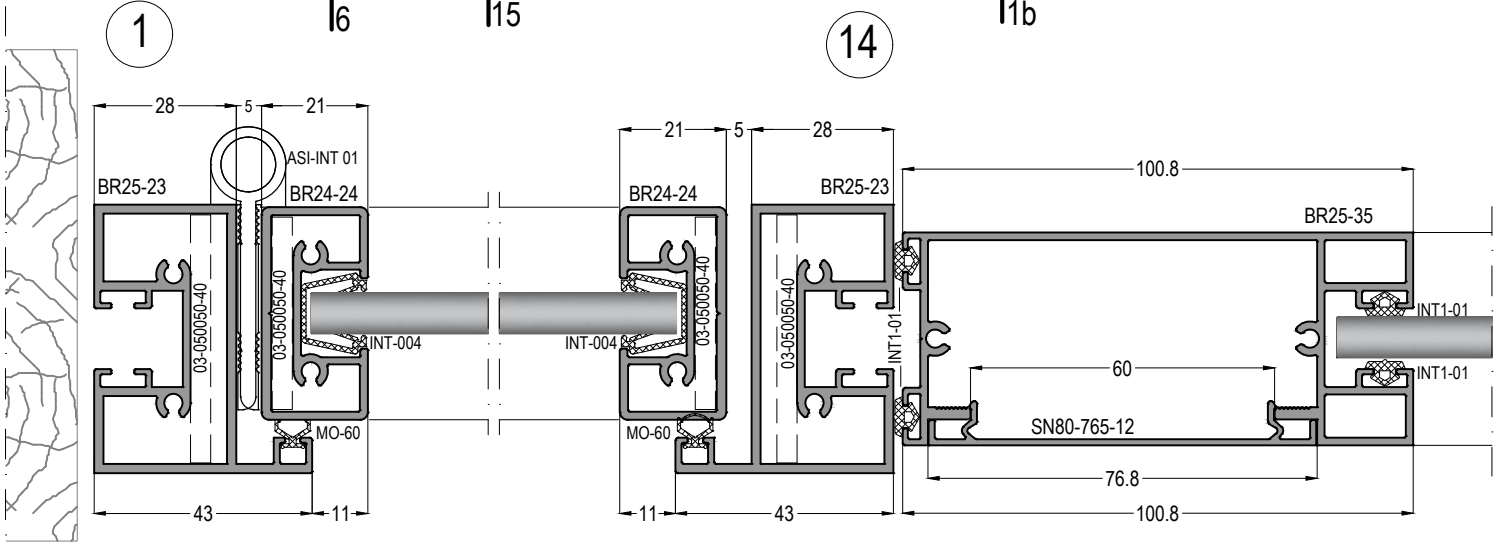
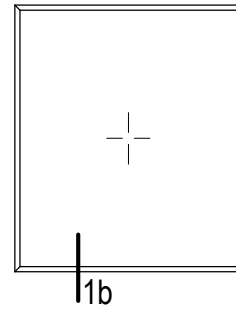
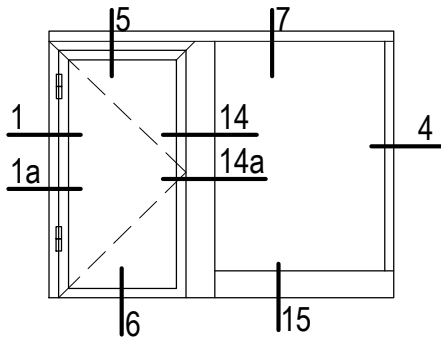
# ASISTAL



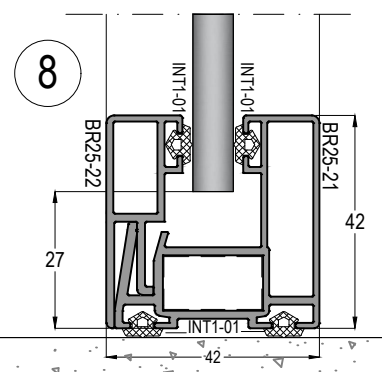
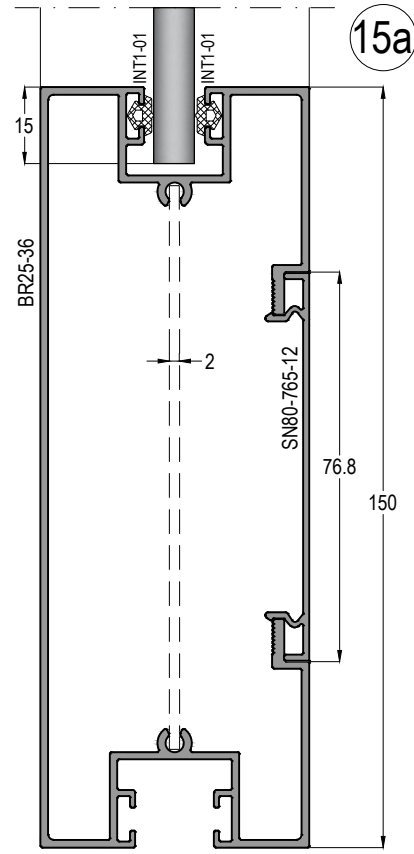
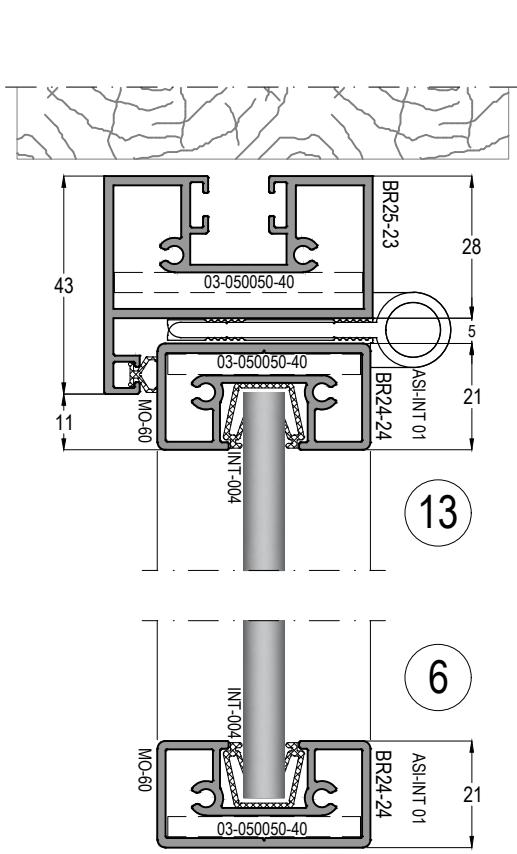
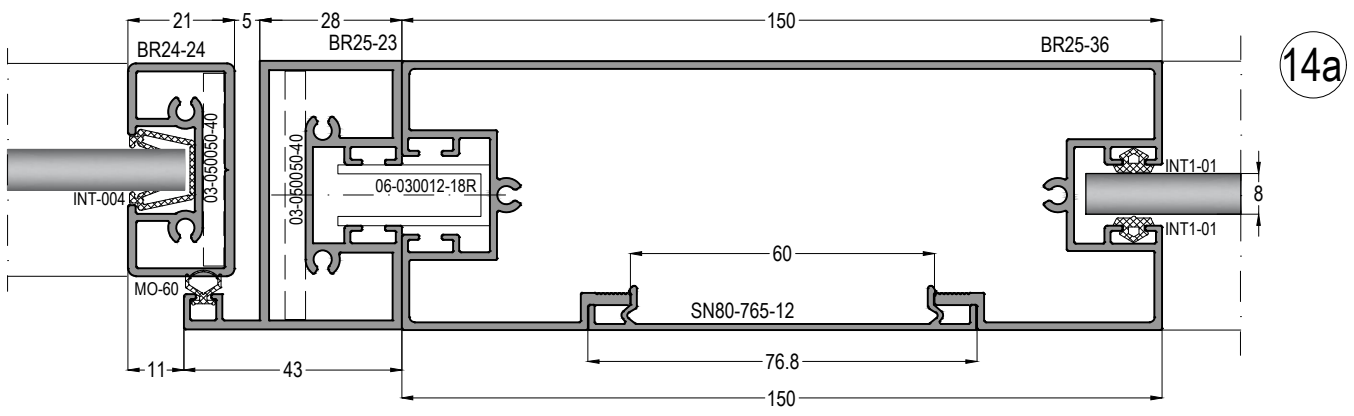
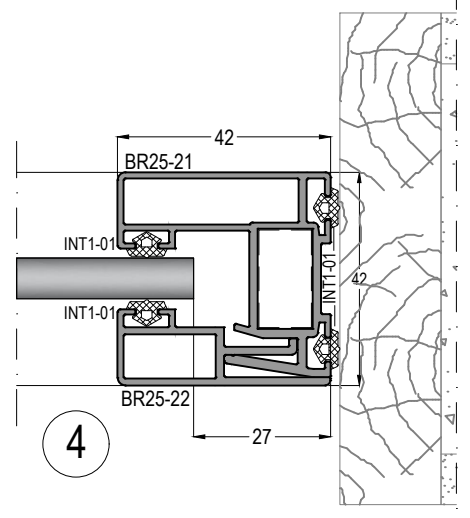
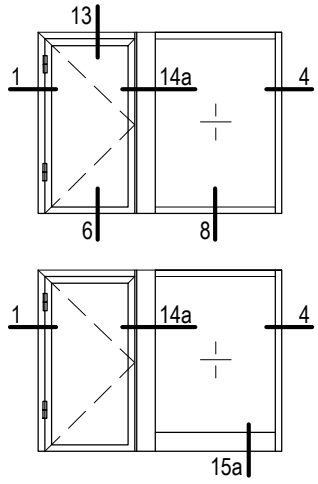
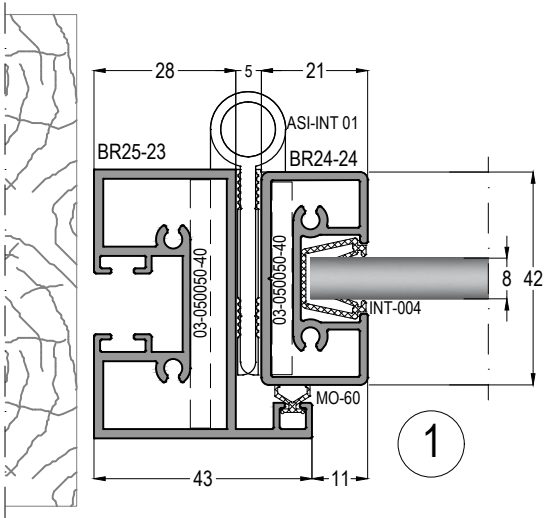
# INTERNO 42

TEK CAMLI OFIS BÖLME SİSTEMİ  
OFFICE PARTITION SYSTEM WITH SINGLE GLASS



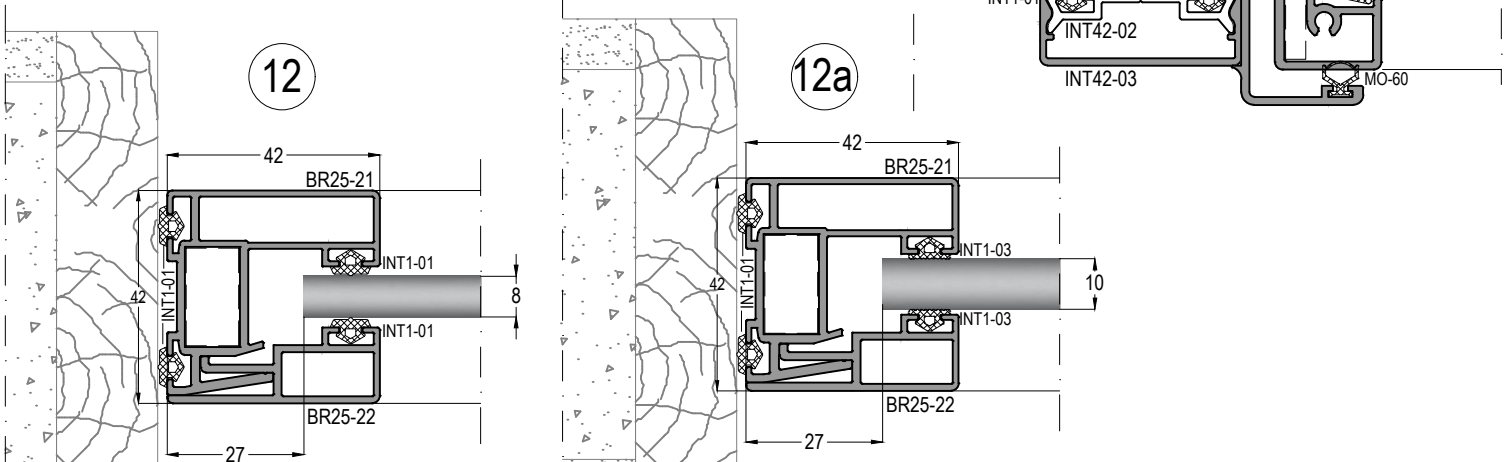
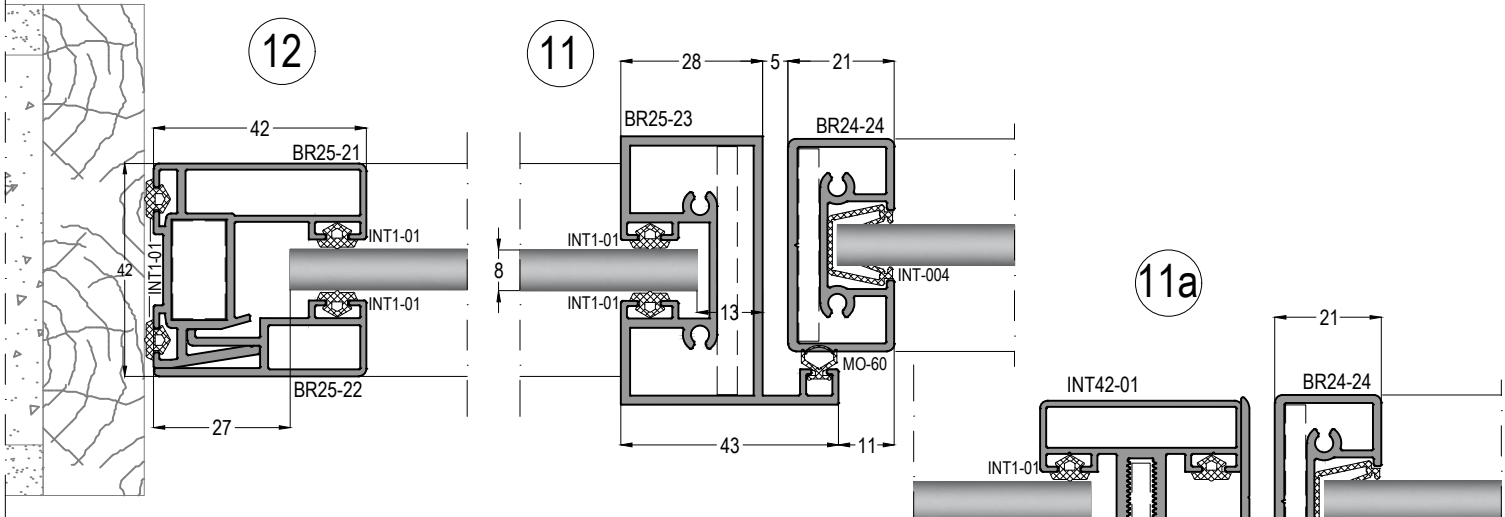
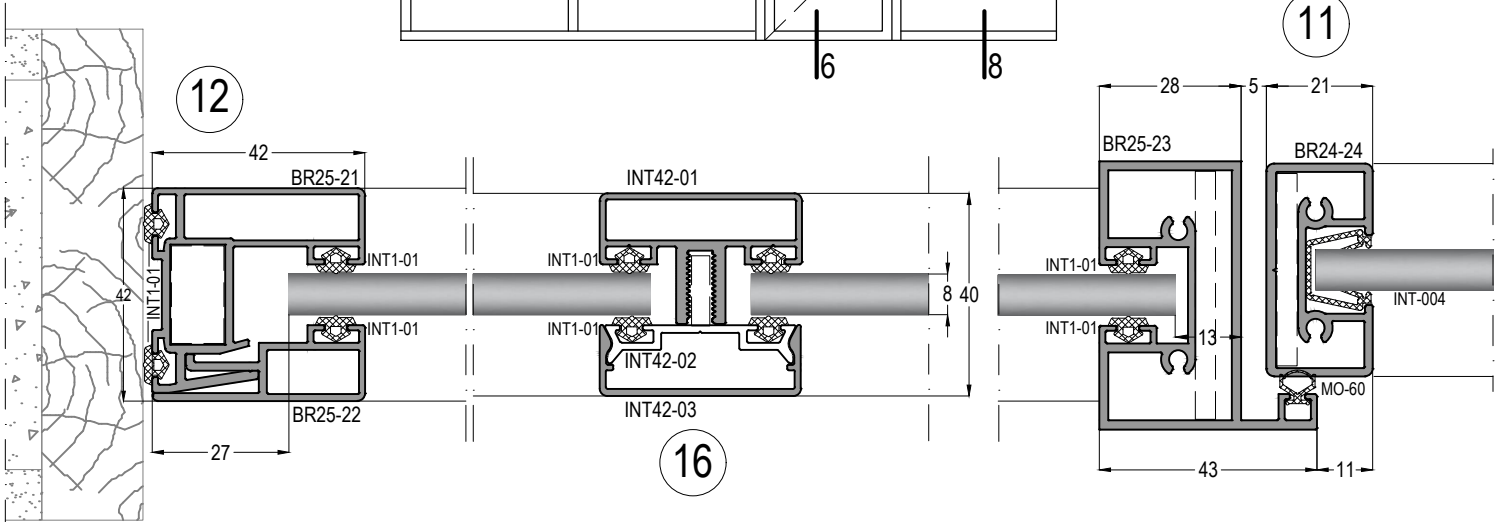
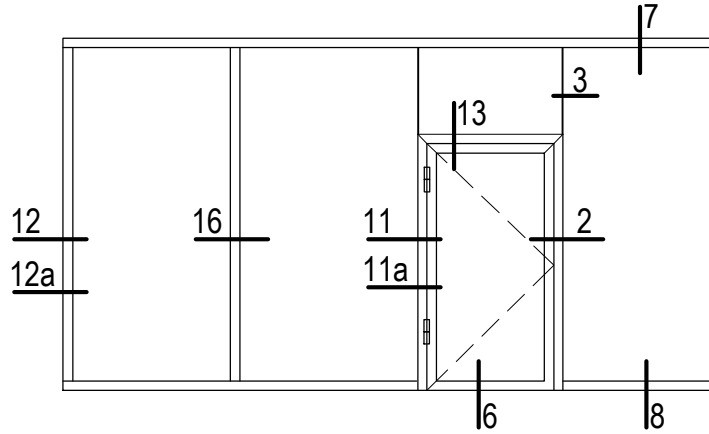






# INTERNO 42

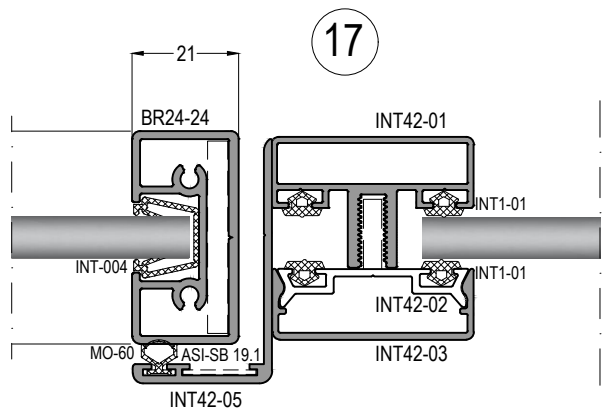
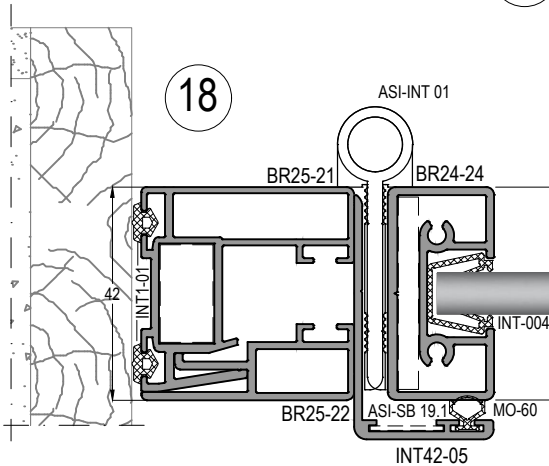
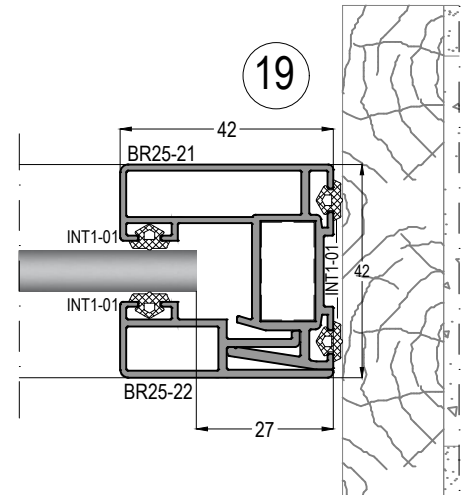
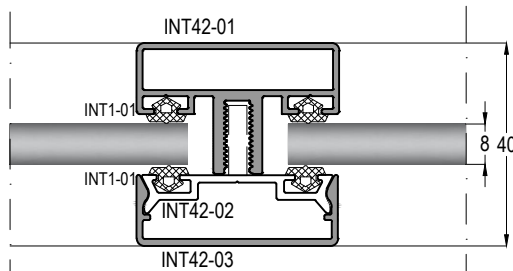
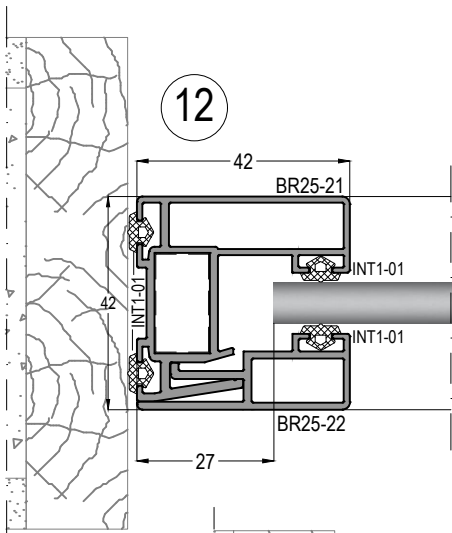
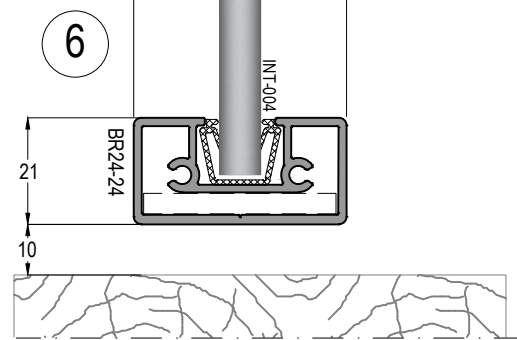
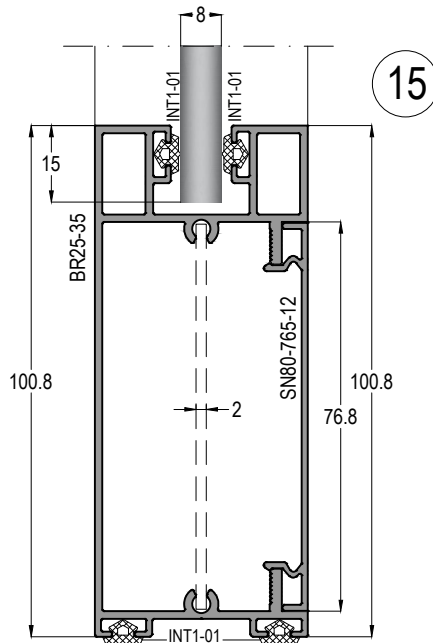
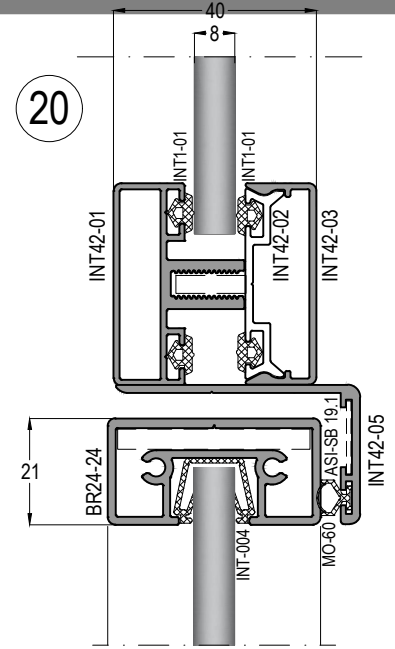
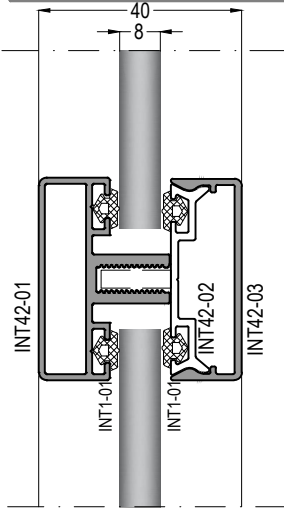
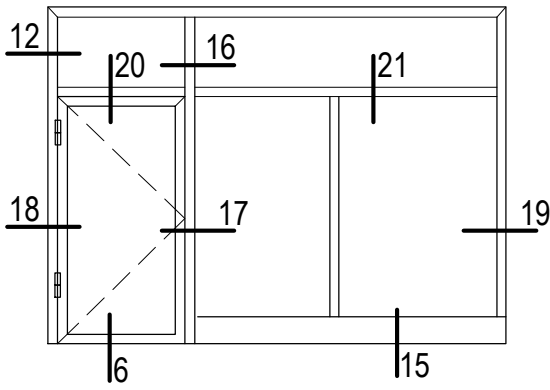
TEK CAMLI OFIS BÖLME SİSTEMİ  
OFFICE PARTITION SYSTEM WITH SINGLE GLASS



# INTERNO 42

TEK CAMLI OFIS BÖLME SİSTEMİ  
OFFICE PARTITION SYSTEM WITH SINGLE GLASS

# ASISTAL

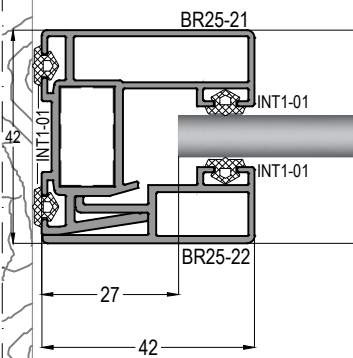


# INTERNO 42

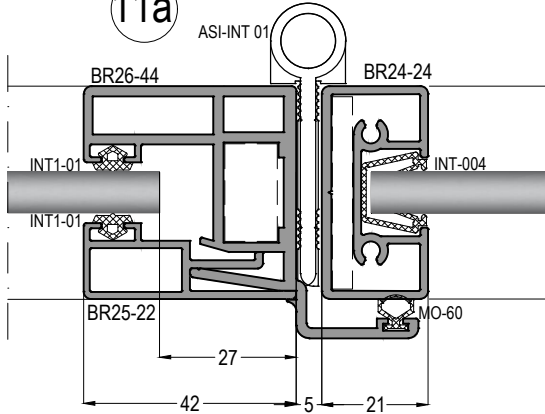
TEK CAMLI OFIS BÖLME SİSTEMİ  
OFFICE PARTITION SYSTEM WITH SINGLE GLASS

## ASISTAL

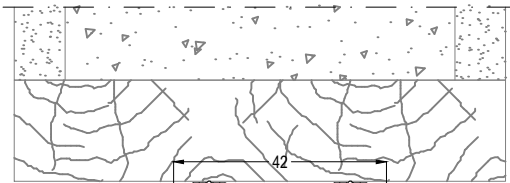
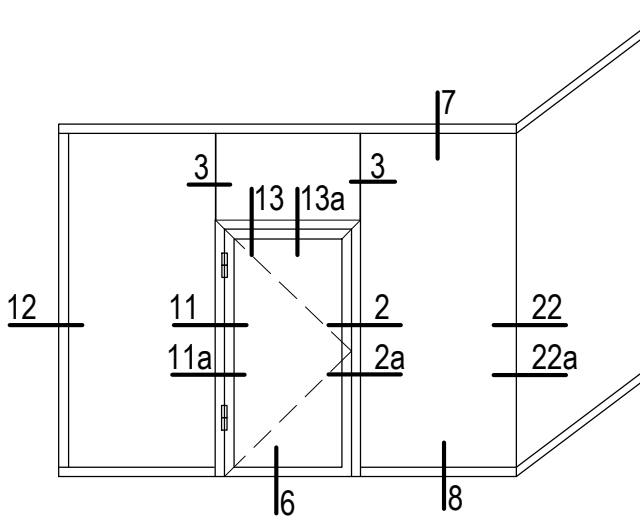
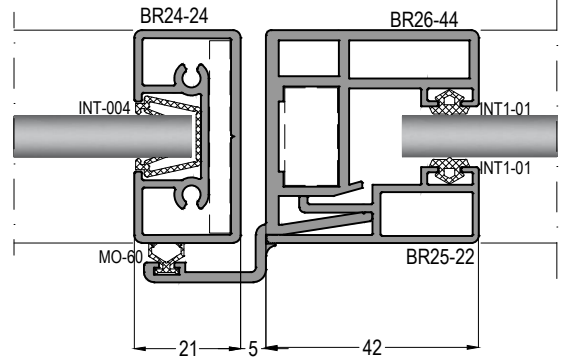
12



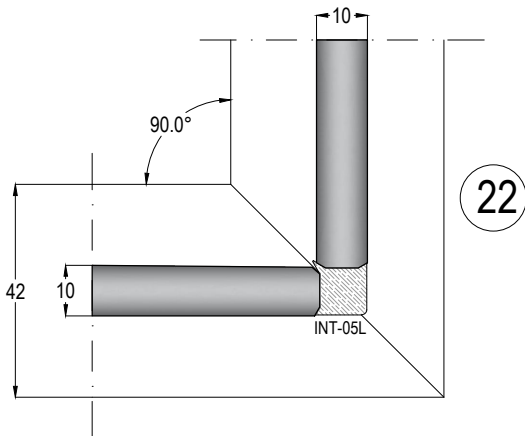
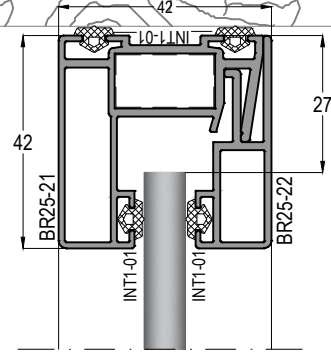
11a



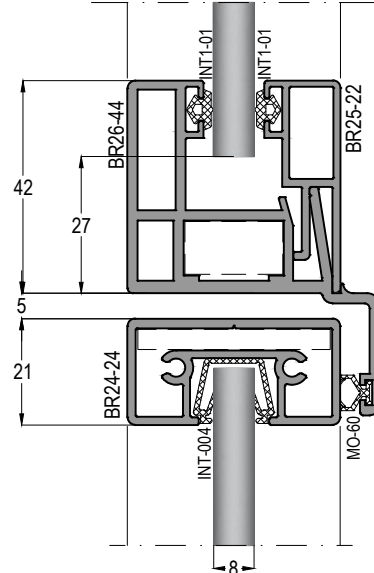
2a



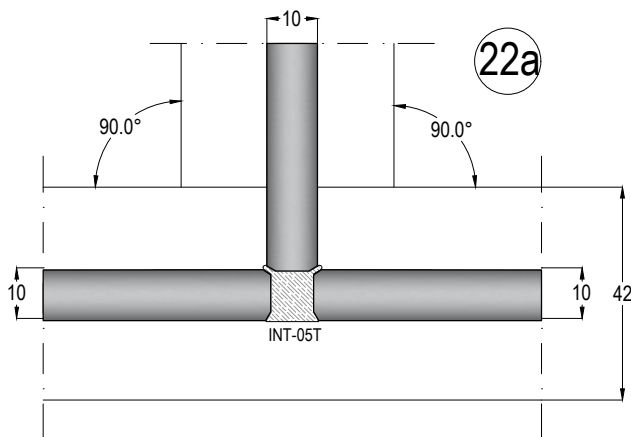
7



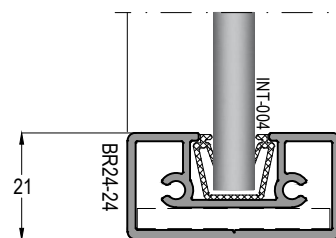
13a



22a



6



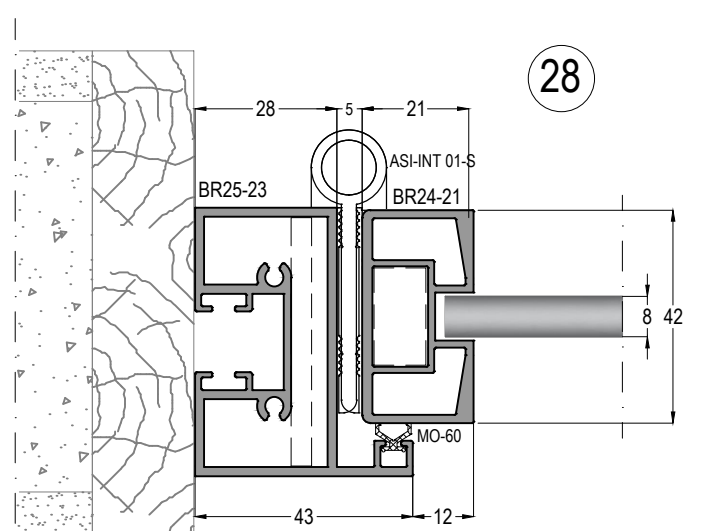
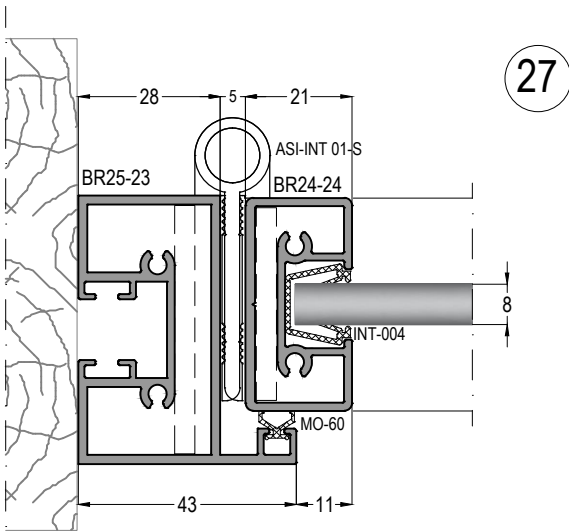
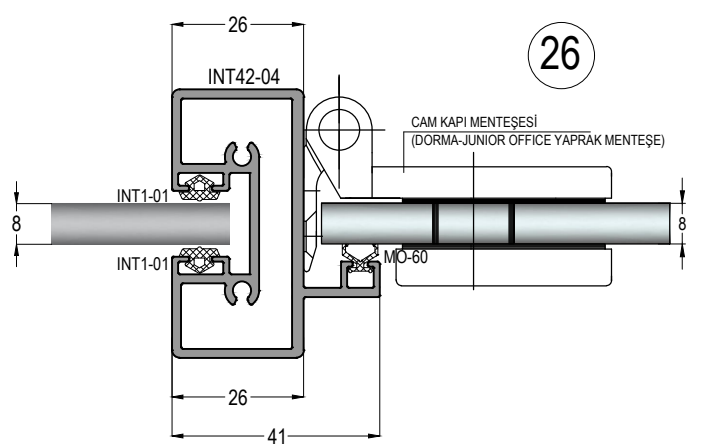
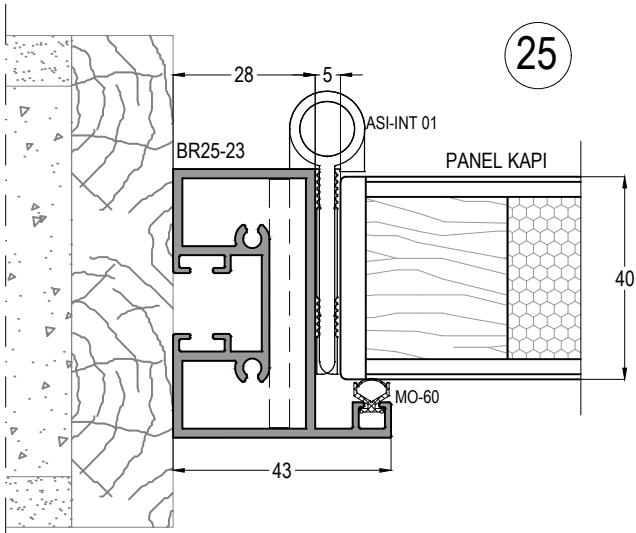
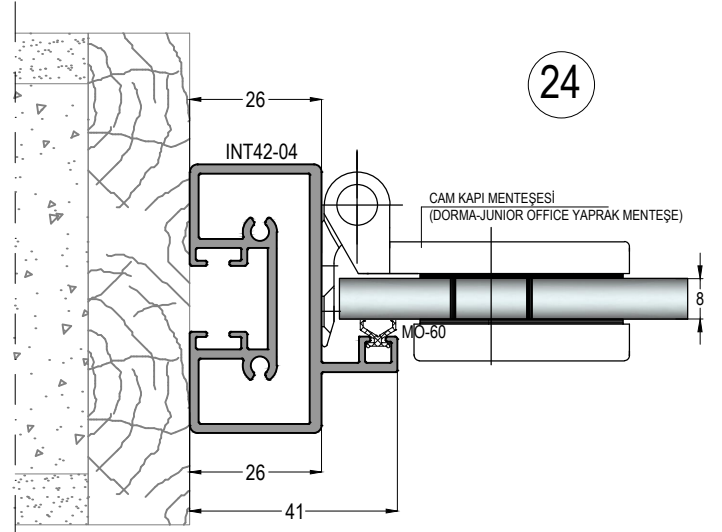
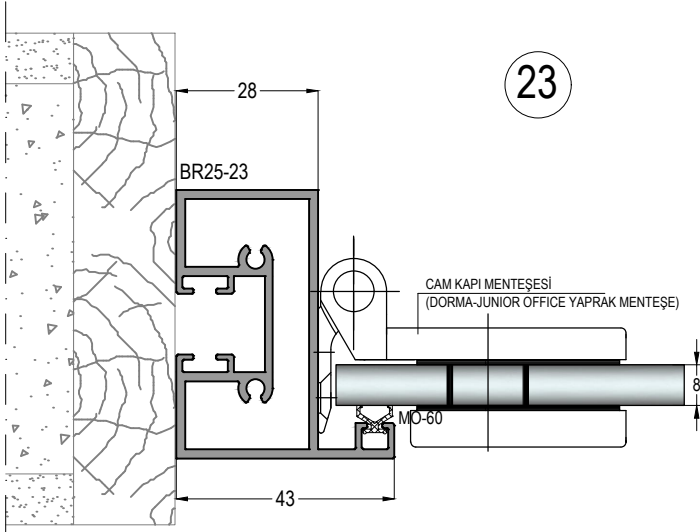
# INTERNO 42

TEK CAMLI OFIS BÖLME SİSTEMİ  
OFFICE PARTITION SYSTEM WITH SINGLE GLASS

## ASISTAL

### KAPI KANAT ve CAM KALINLIK DETAYLARI

DOOR SAHS & GLASS THICKNESS DETAILS



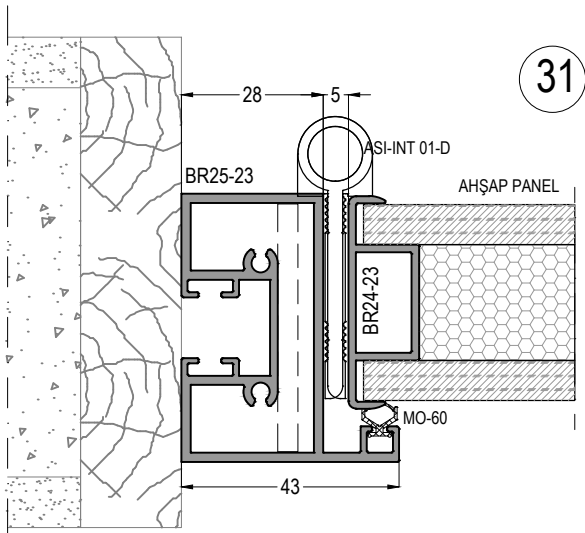
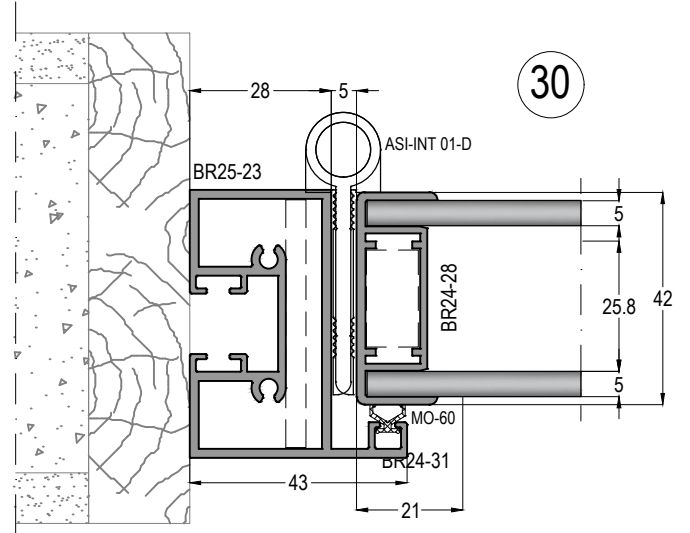
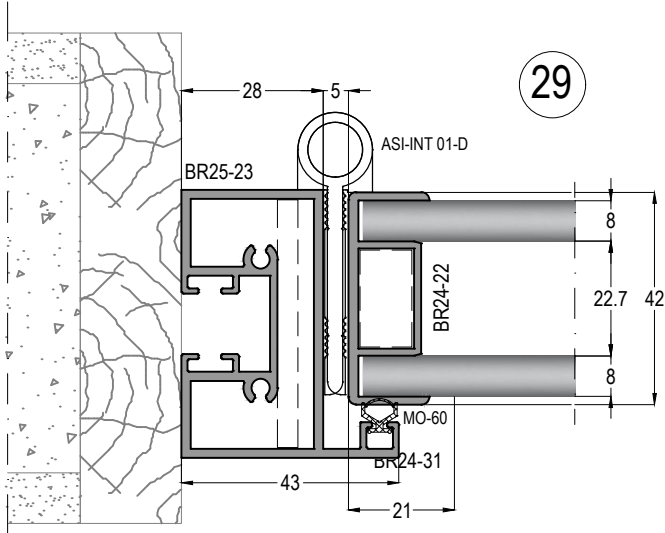
# INTERNO 42

TEK CAMLI OFIS BÖLME SİSTEMİ  
OFFICE PARTITION SYSTEM WITH SINGLE GLASS

## ASISTAL

### KAPI KANAT ve CAM KALINLIK DETAYLARI

DOOR SAHS & GLASS THICKNESS DETAILS



### KAPI KANAT ve CAM KALINLIK DETAYLARI DOOR SAHS & GLASS THICKNESS DETAILS

