

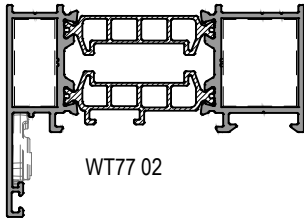
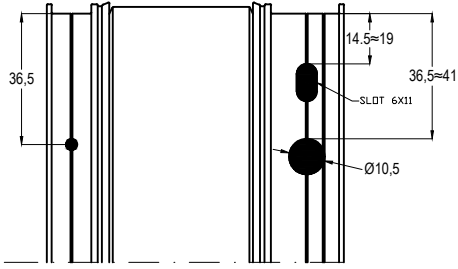
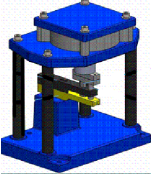
WT 77

YALITIMLI KAPI-PENCERE SİSTEMİ
THERMAL WINDOW&DOOR SYSTEM

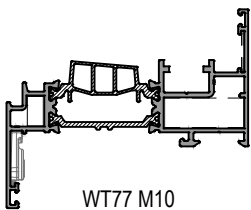
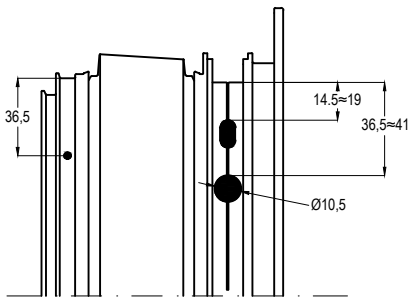
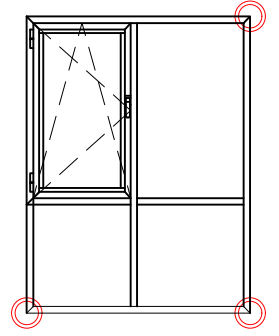
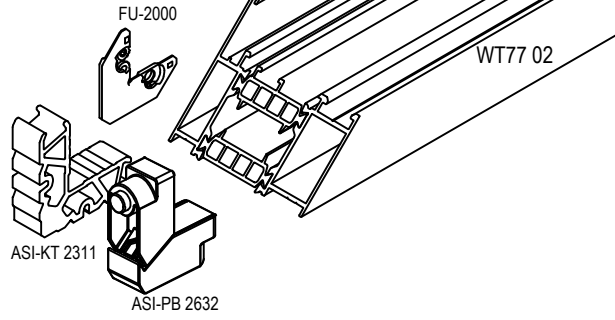
ASISTAL

KESİM VE MONTAJ
CUTTING & ASSEMBLY

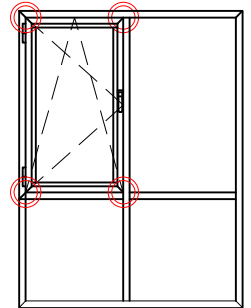
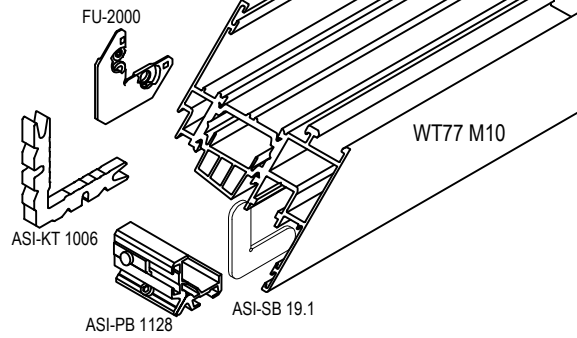
501 EKO PANÇ



WT77 02



WT77 M10

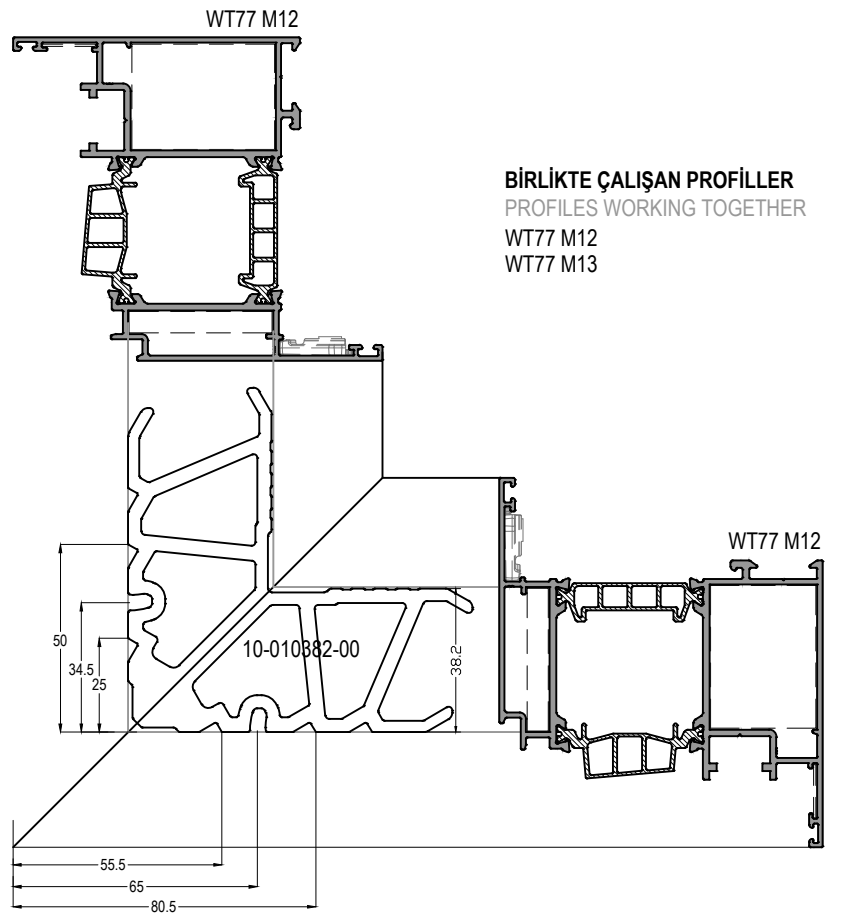
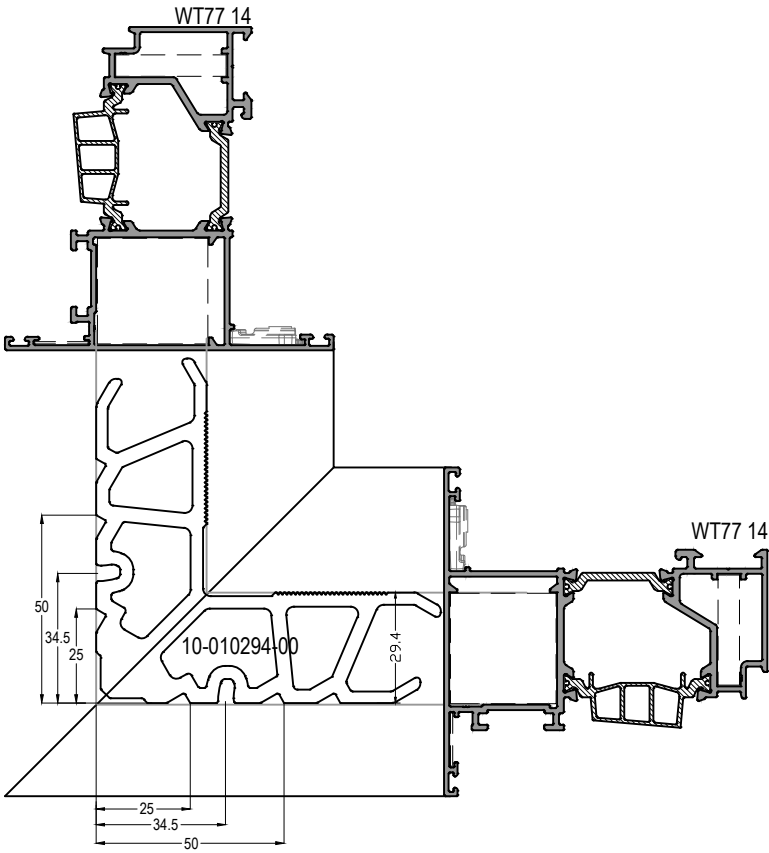
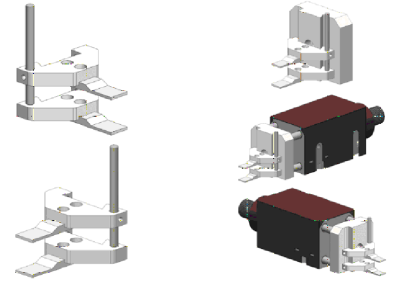


WT 77

YALITIMLI KAPI-PENCERE SİSTEMİ
THERMAL WINDOW&DOOR SYSTEM

ASISTAL

PRESS

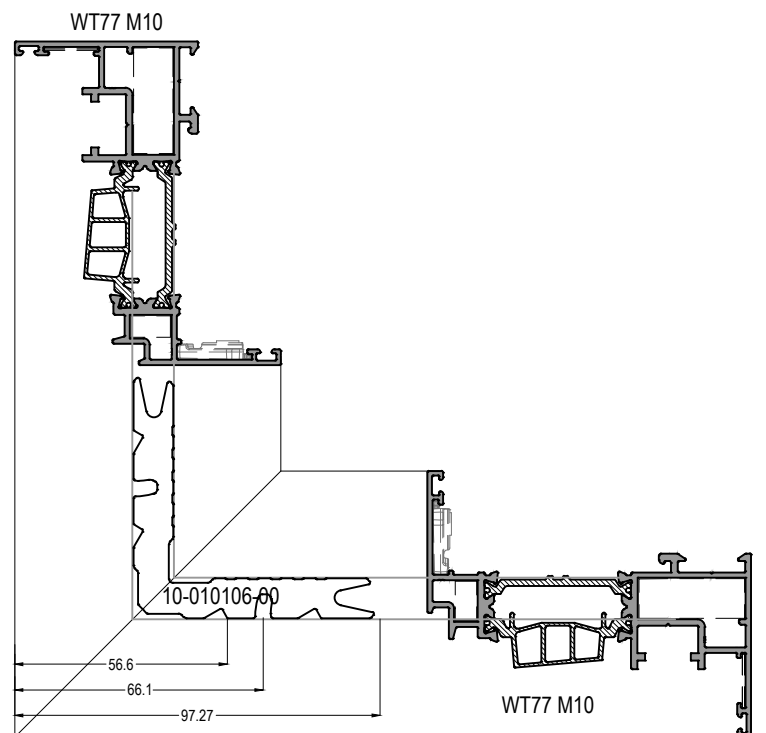
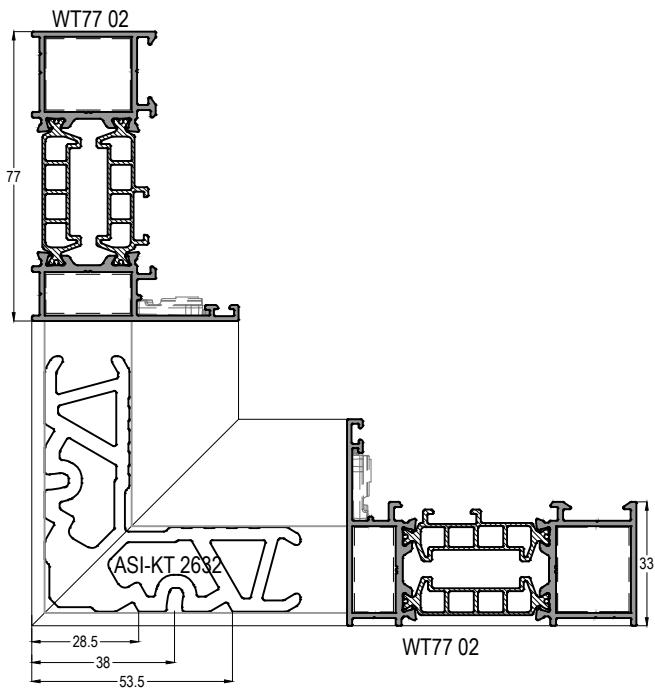
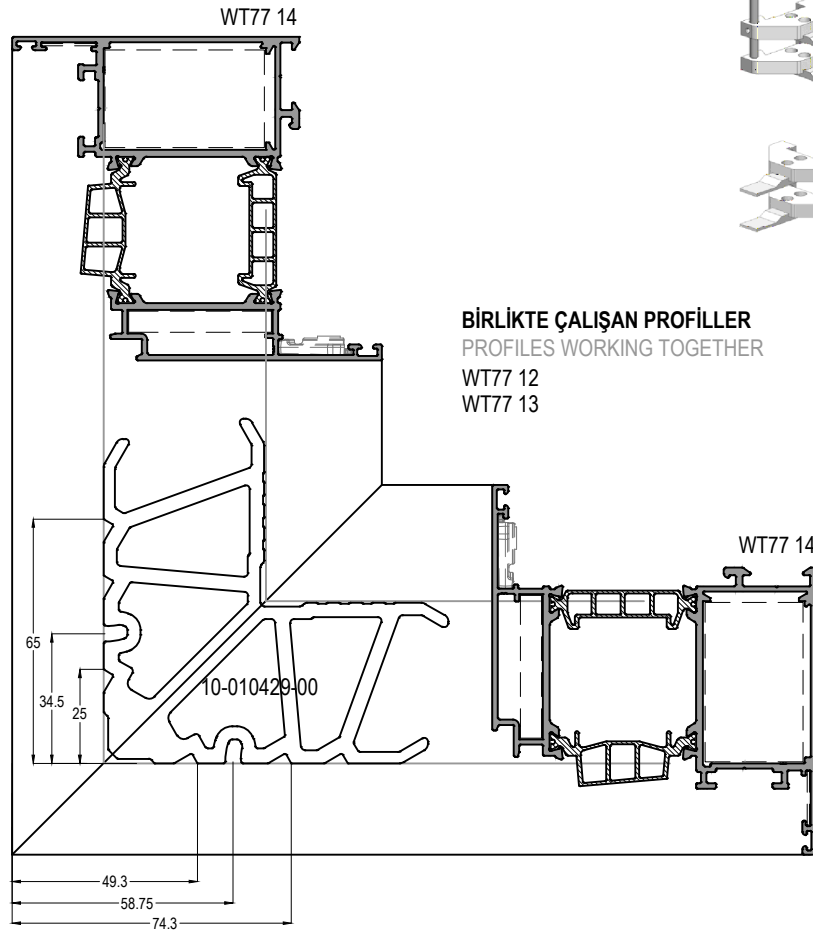
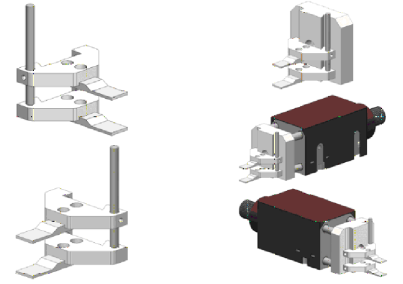


WT 77

YALITIMLI KAPI-PENCERE SİSTEMİ
THERMAL WINDOW&DOOR SYSTEM

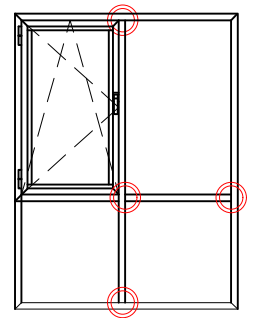
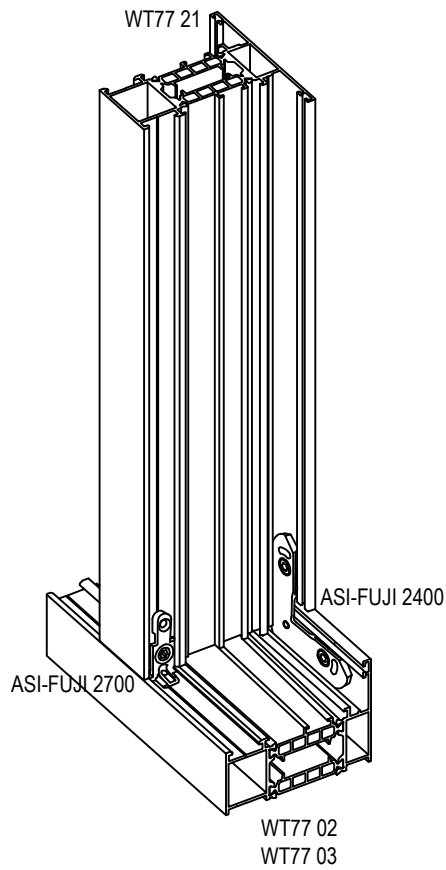
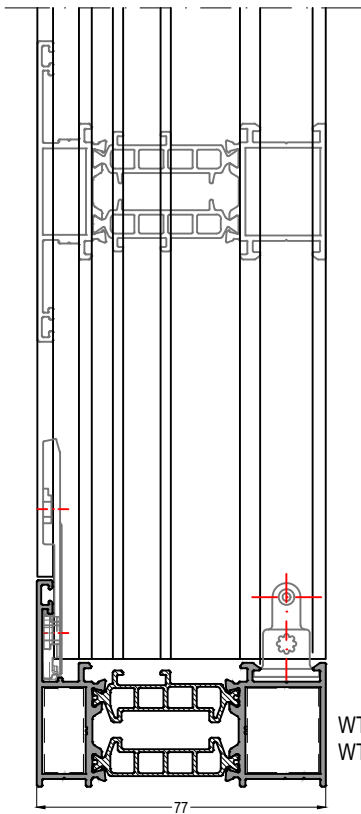
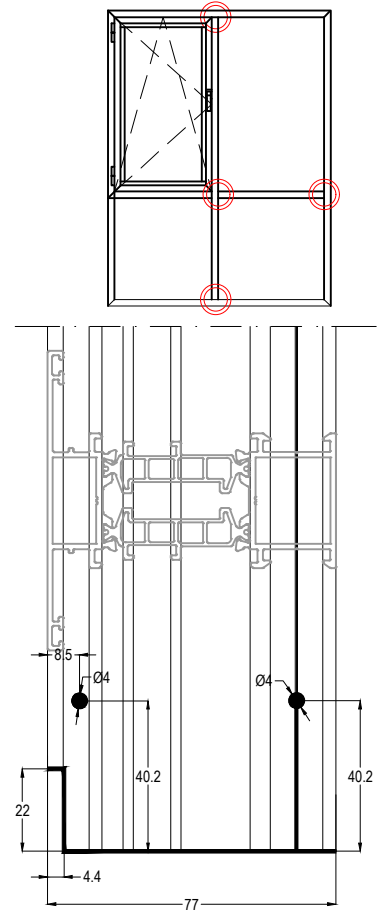
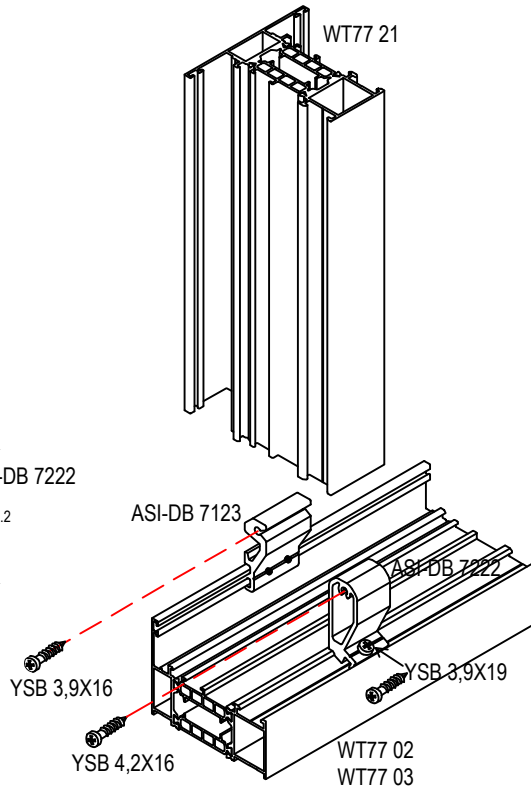
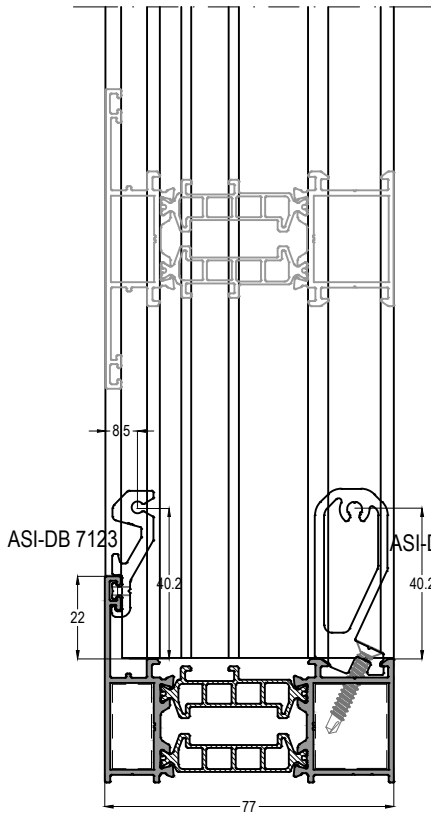
ASISTAL

PRESS



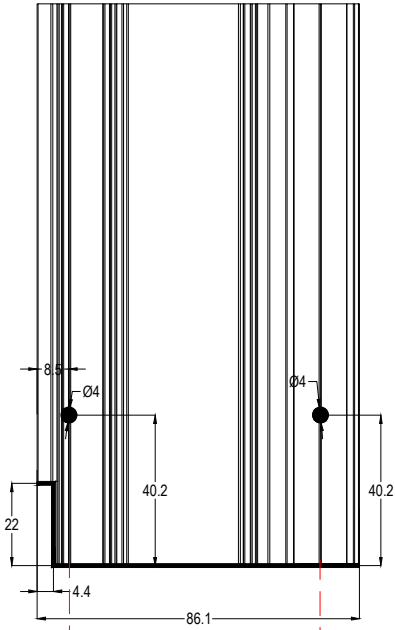
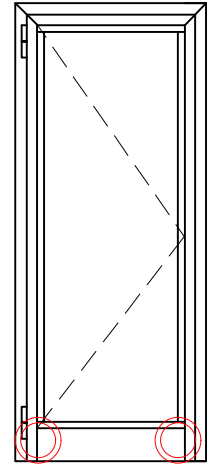
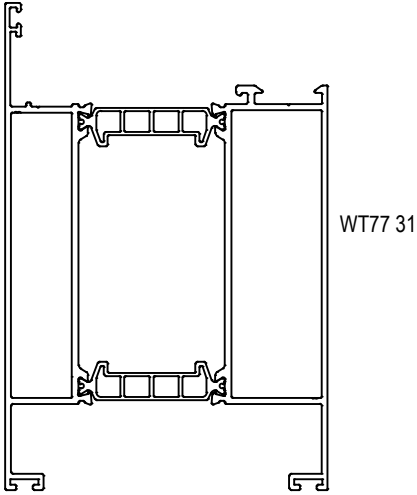
WT 77

YALITIMLI KAPI-PENCERE SİSTEMİ
THERMAL WINDOW&DOOR SYSTEM



WT 77

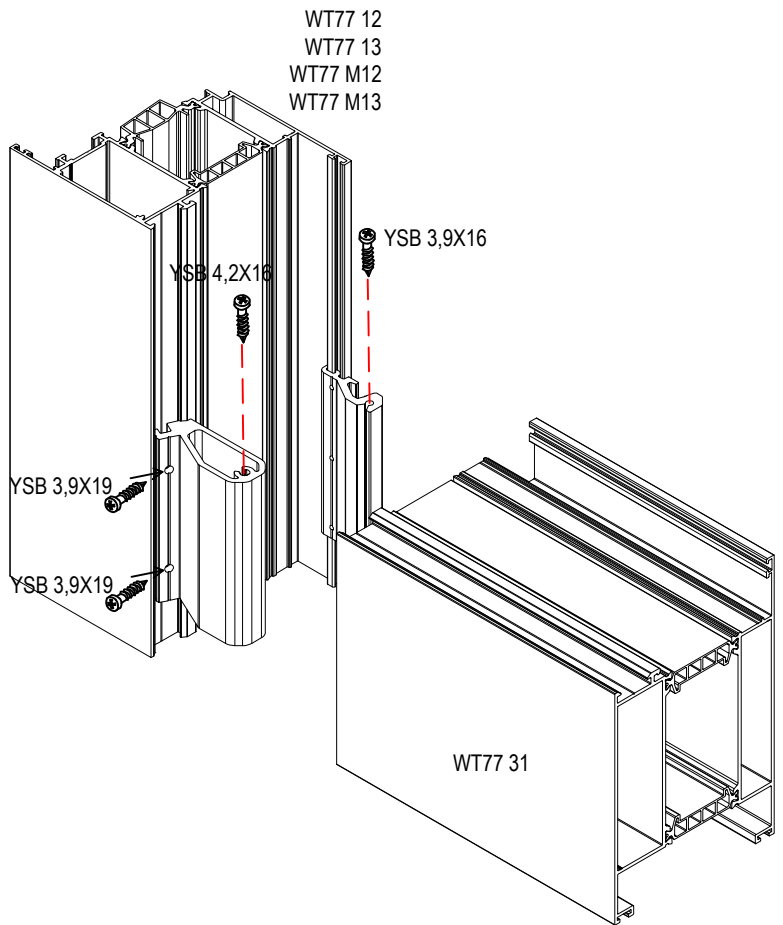
YALITIMLI KAPI-PENCERE SİSTEMİ
THERMAL WINDOW&DOOR SYSTEM



ASI-DB 7175

ASI-DB 7276

WT77 12
WT77 13
WT77 M12
WT77 M13

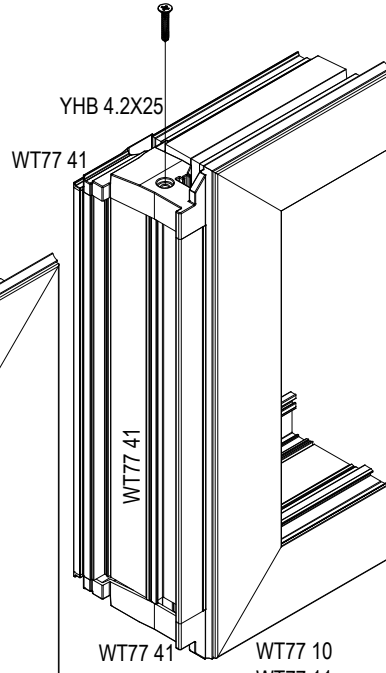
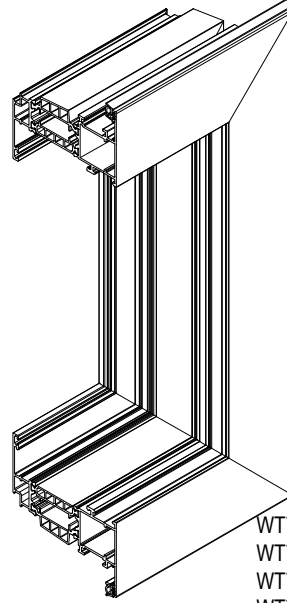
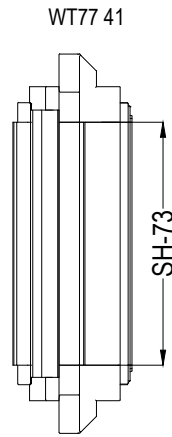
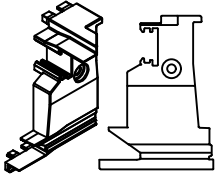




EURO KANALLI KESİM

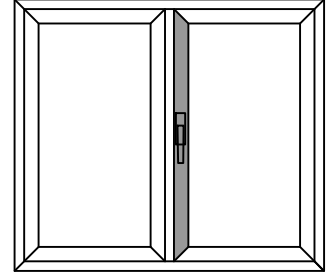
CUTTING FOR EURO GROOVE

WT77 41-HOK
ADAPTÖR KAPAĞI
ADAPTER COVER



WT77 10
WT77 11
WT77 12
WT77 13
WT77 14

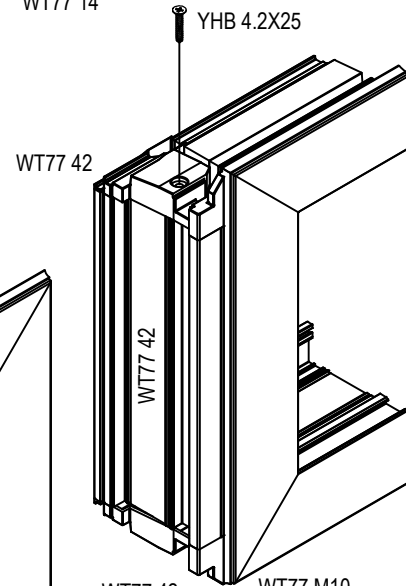
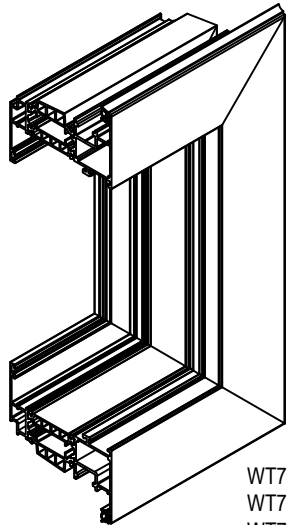
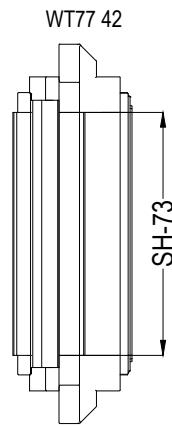
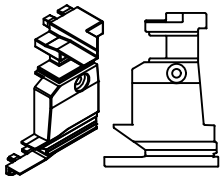
WT77 10
WT77 11
WT77 12
WT77 13
WT77 14



PVC KANALLI KESİM

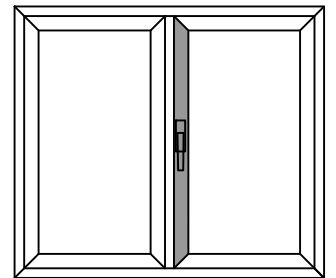
CUTTING FOR MULTI-POINT

WT77 42-HOK
ADAPTÖR KAPAĞI
ADAPTER COVER



WT77 M10
WT77 M11
WT77 M12
WT77 M13

WT77 M10
WT77 M11
WT77 M12
WT77 M13



WT 77

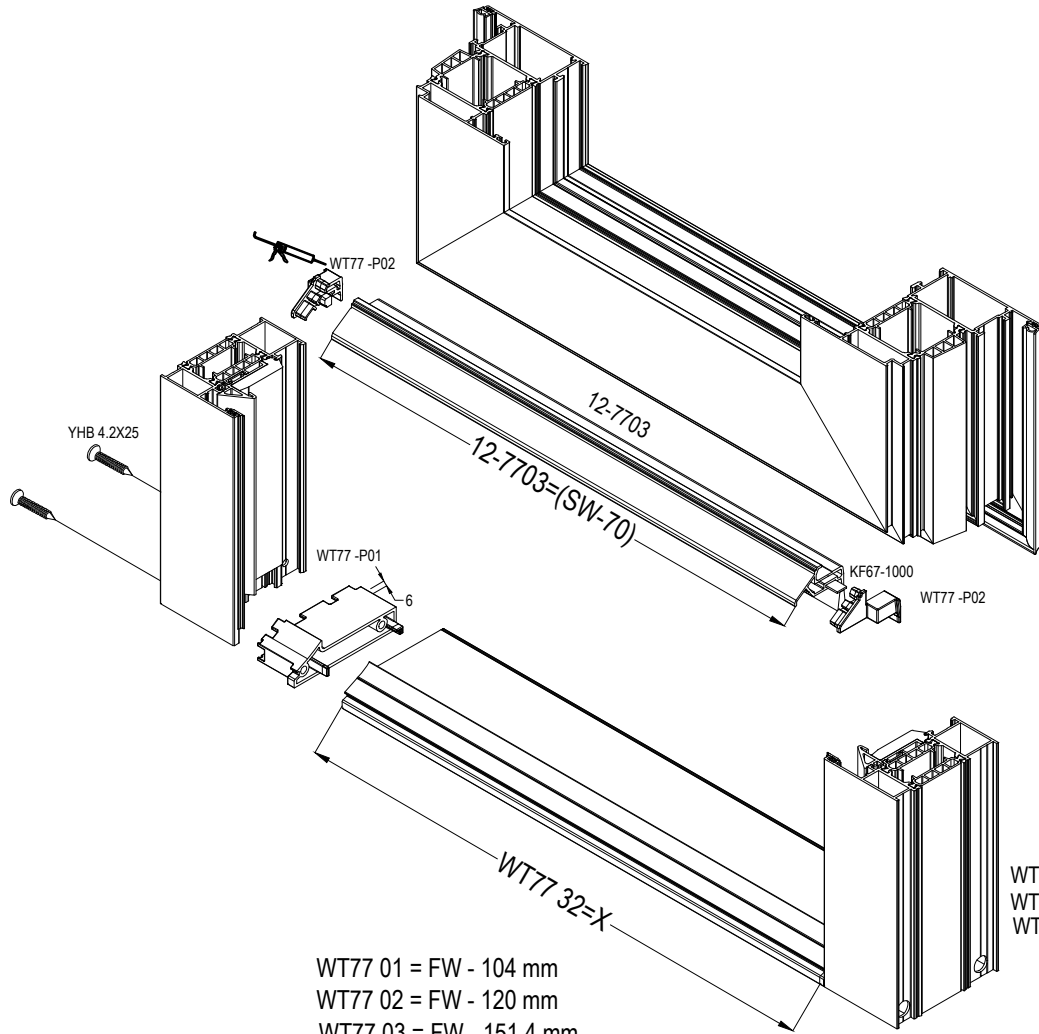
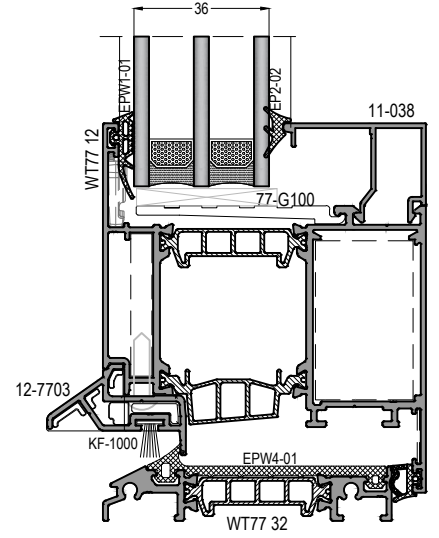
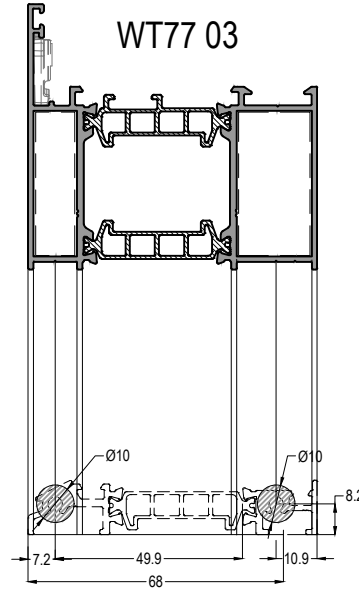
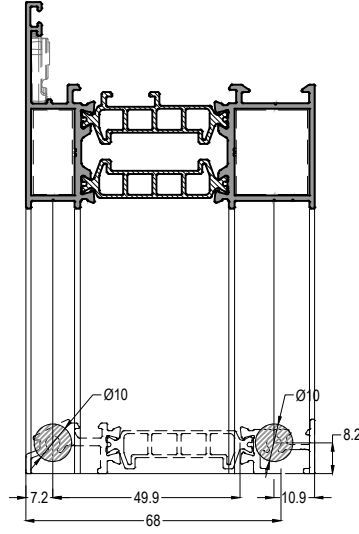
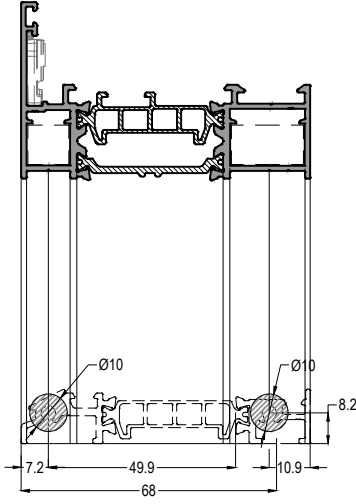
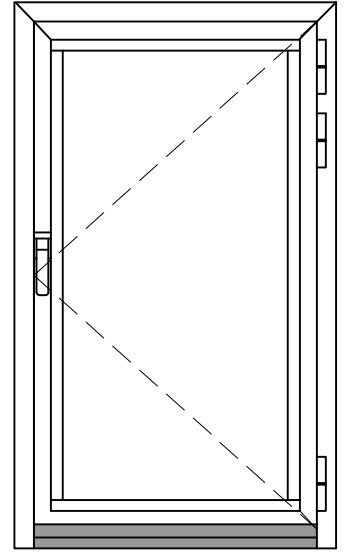
YALITIMLI KAPI-PENCERE SİSTEMİ
THERMAL WINDOW&DOOR SYSTEM



WT77 01

WT77 02

WT77 03



WT77 12
WT77 13
WT77 M12
WT77 M13

WT77 01
WT77 02
WT77 03

WT77 01 = FW - 104 mm
WT77 02 = FW - 120 mm
WT77 03 = FW - 151,4 mm

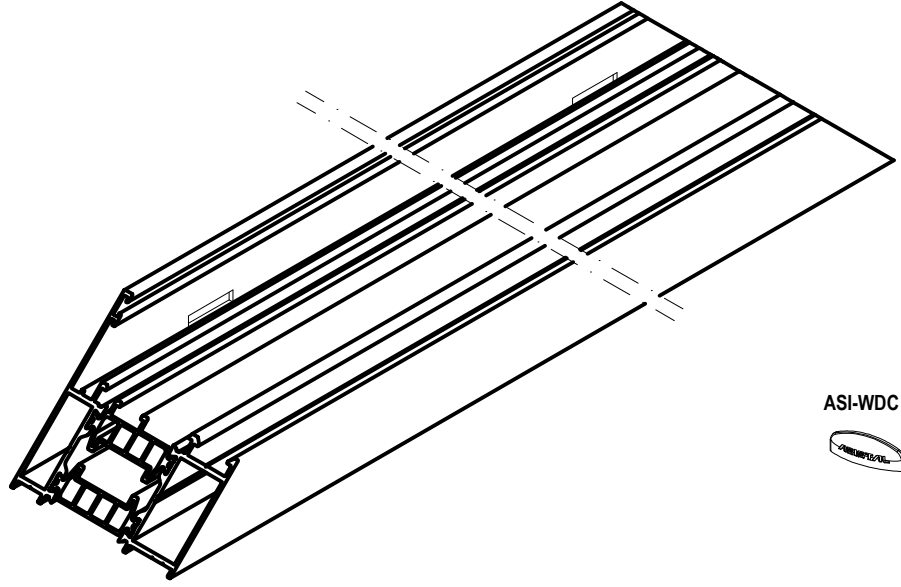
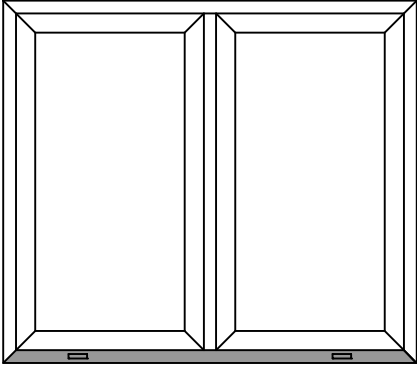
WT77 P01
EŞİK PROFİL KAPAĞI
WT77 32 COVER

WT 77

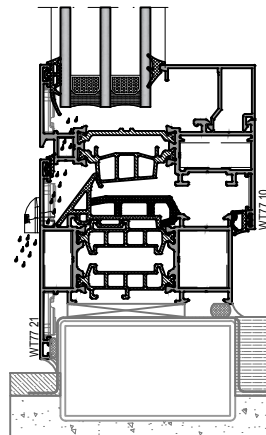
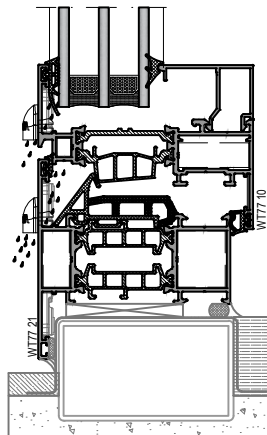
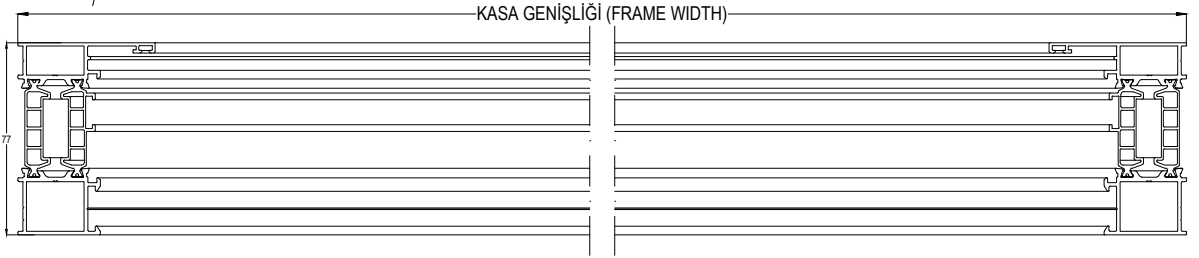
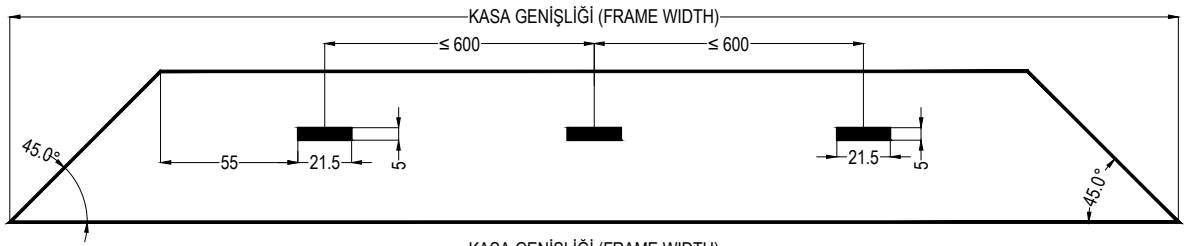
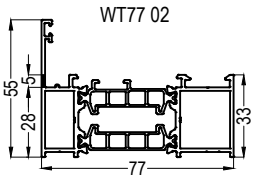
YALITIMLI KAPI-PENCERE SİSTEMİ
THERMAL WINDOW&DOOR SYSTEM

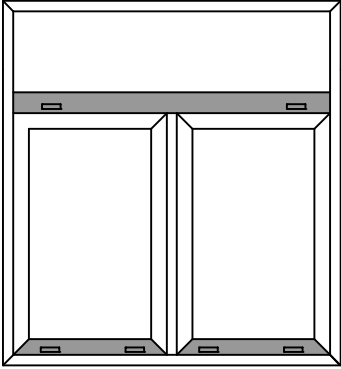
ASISTAL

SU TAHLİYE DELİK İŞLEMLERİ WATER DRAINAGE HOLE OPERATIONS

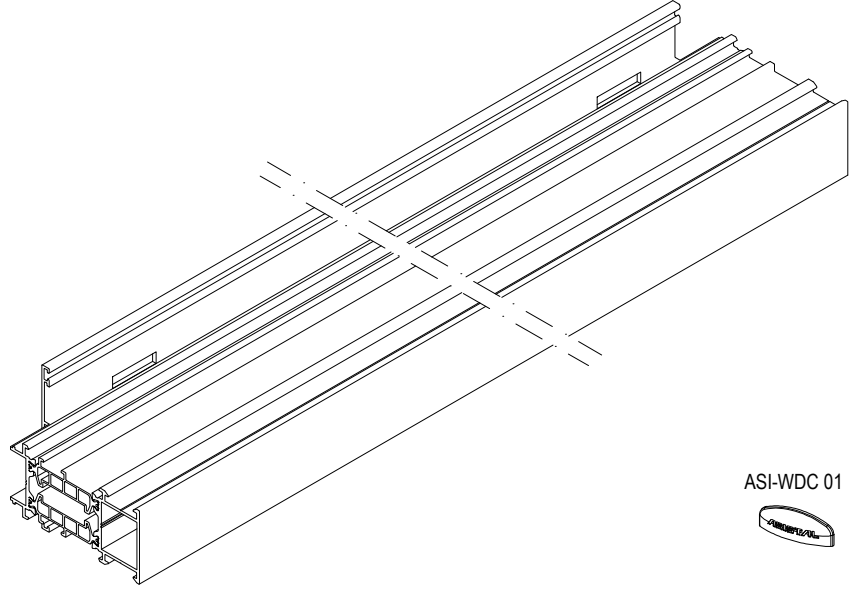


ASI-WDC 01



SU TAHLİYE DELİK İŞLEMLERİ
WATER DRAINAGE HOLE OPERATIONS

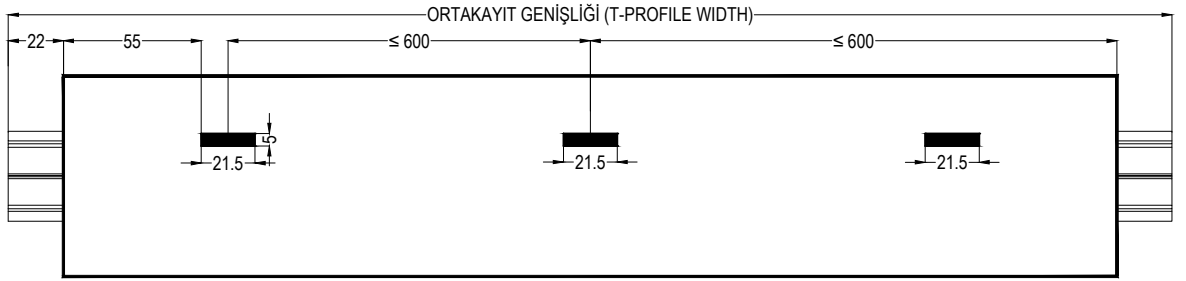
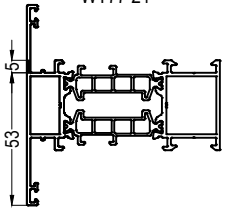
WT77 21



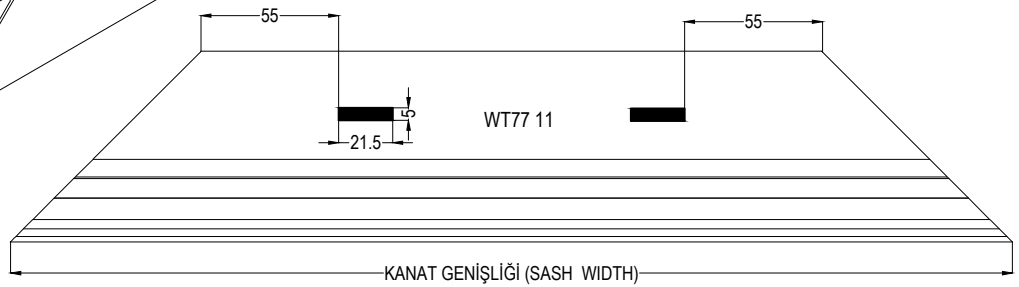
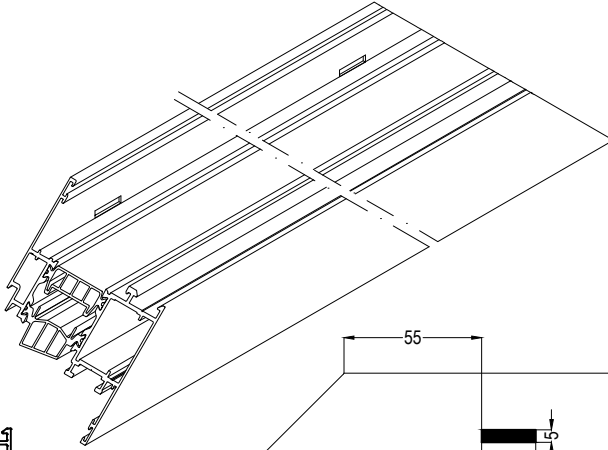
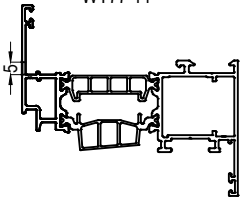
ASI-WDC 01



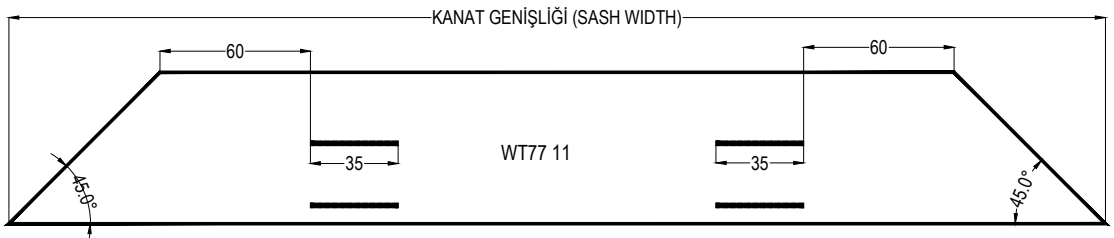
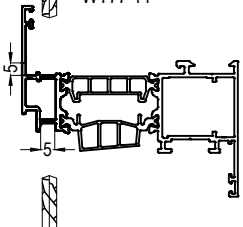
WT77 21

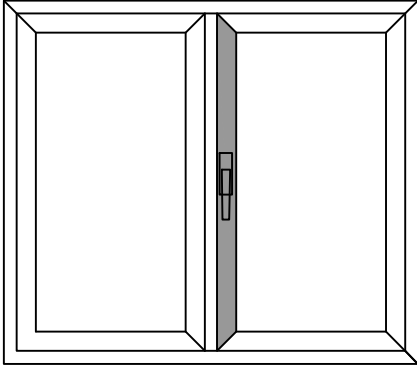
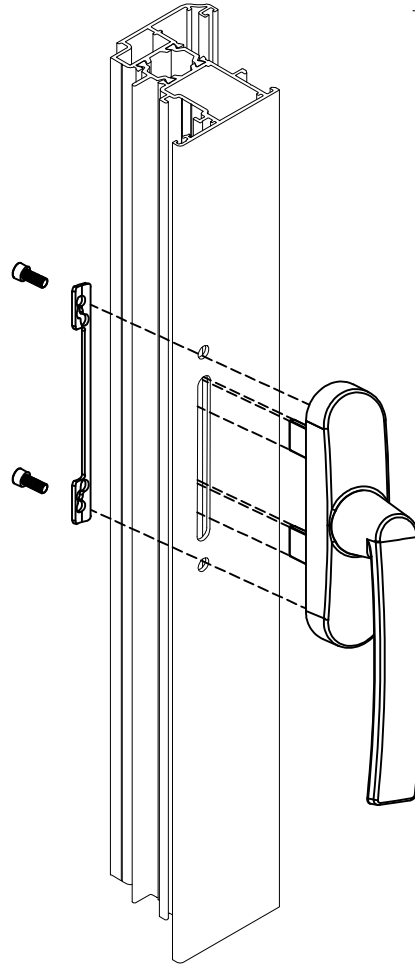
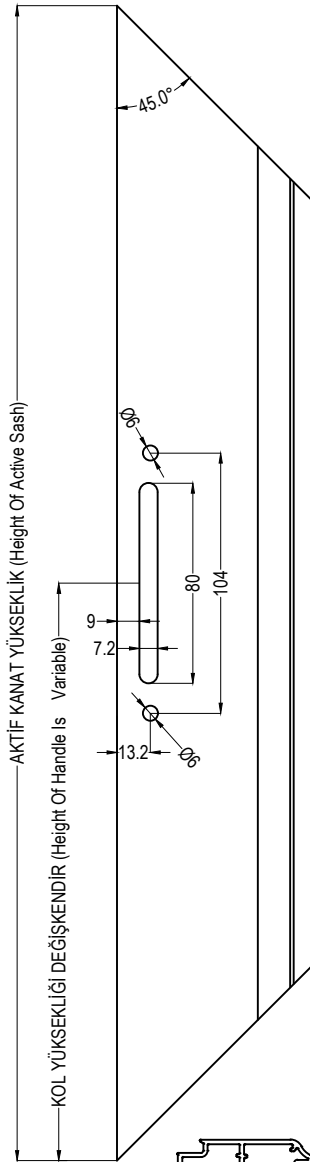
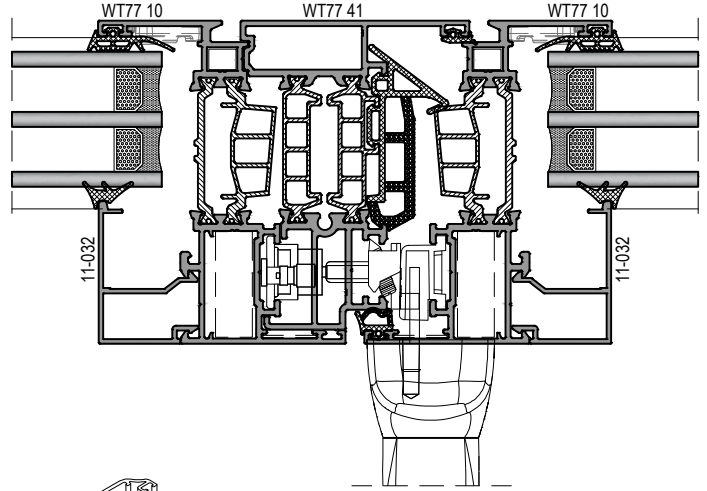


WT77 11

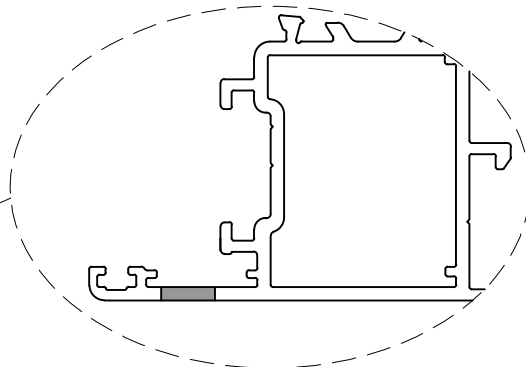
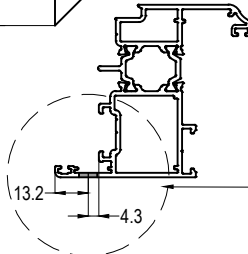
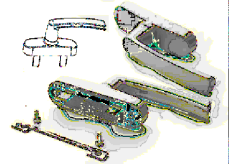


WT77 11



PENCERE KOLU SLOT ÖLÇÜLERİ
WINDOW HANDLE SLOT OPERATIONSEURO KANALLI
EURO GROOVE

ASI-WH 004

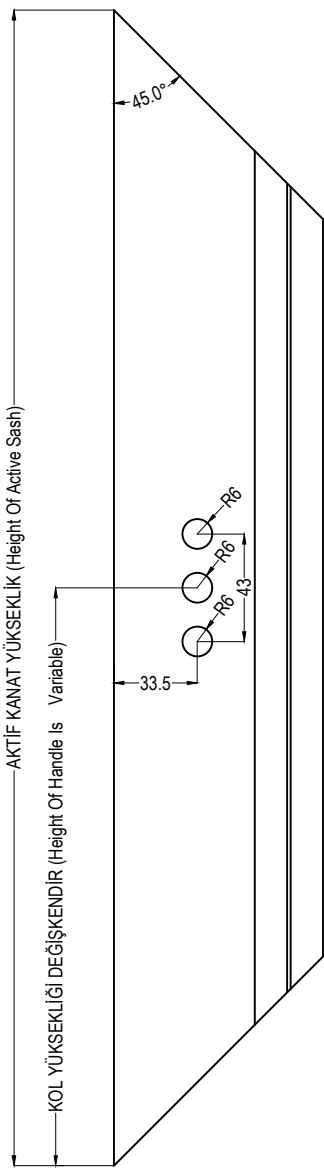
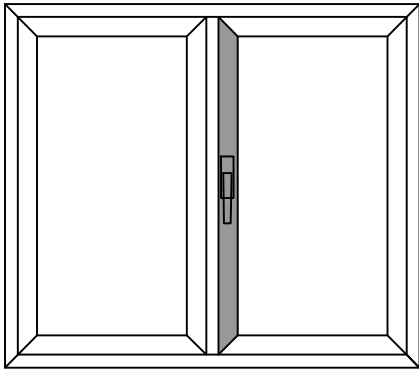


WT 77

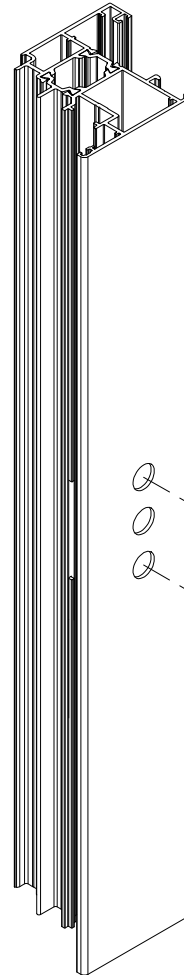
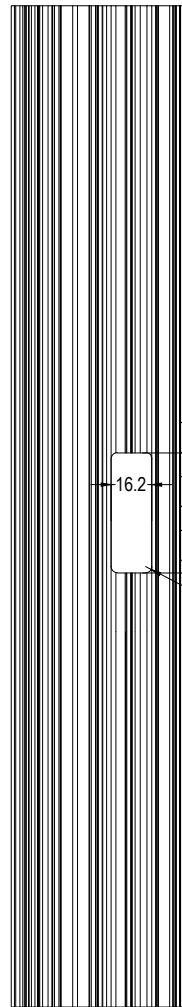
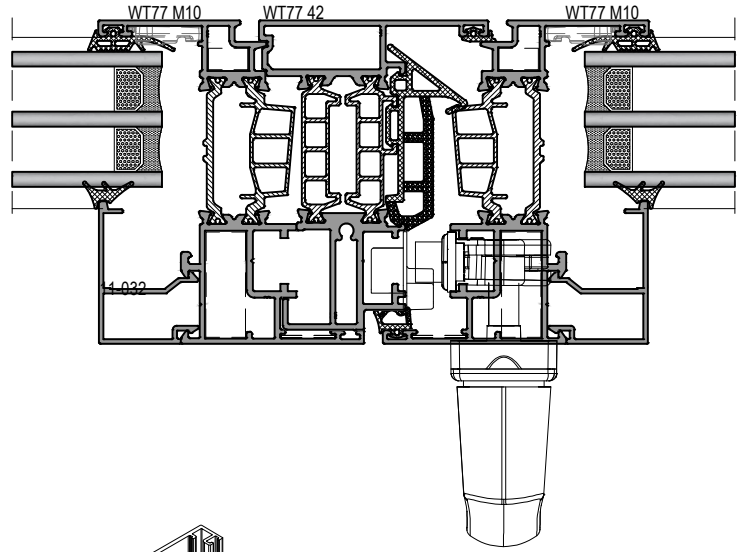
YALITIMLI KAPI-PENCERE SİSTEMİ
THERMAL WINDOW&DOOR SYSTEM

ASISTAL

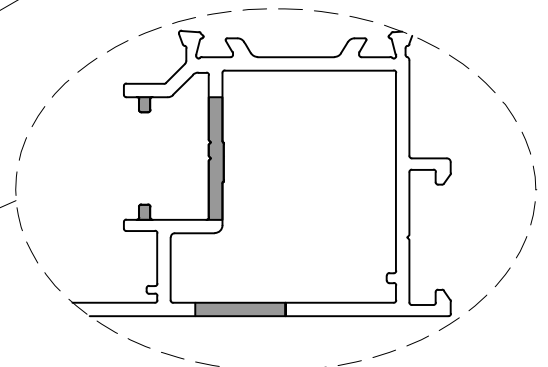
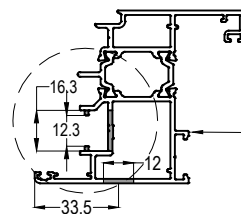
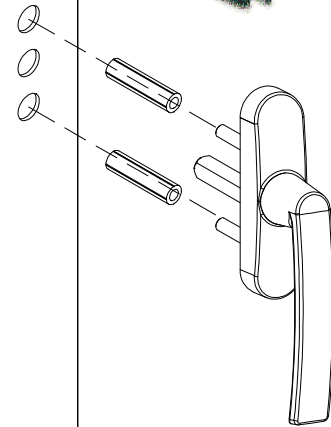
PENCERE KOLU SLOT ÖLÇÜLERİ WINDOW HANDLE SLOT OPERATIONS



ÇOK NOKTADAN KİLİTLEME MULTI POINT LOCKING



ASI-WH 001

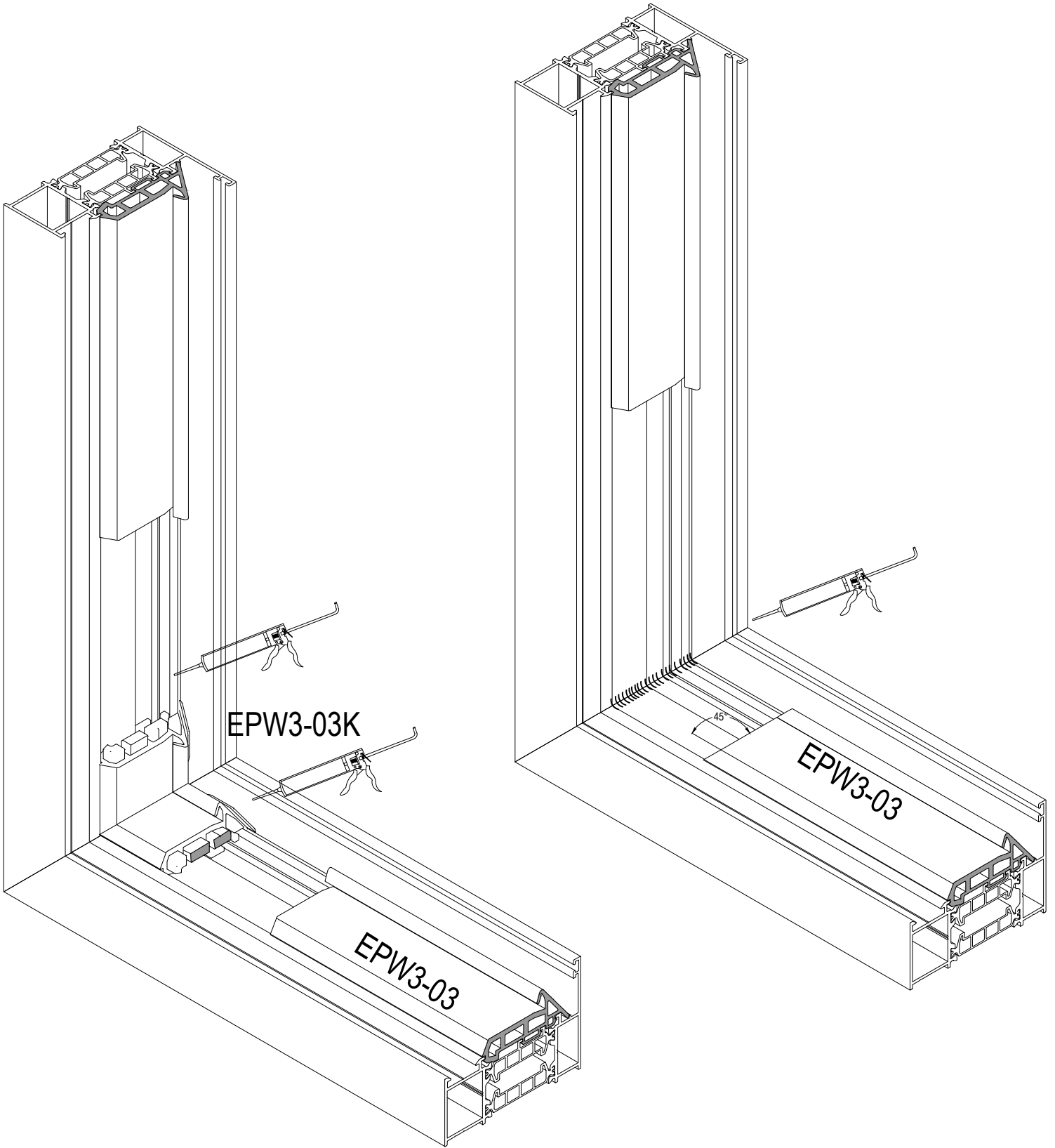


WT 77

YALITIMLI KAPI-PENCERE SİSTEMİ
THERMAL WINDOW&DOOR SYSTEM

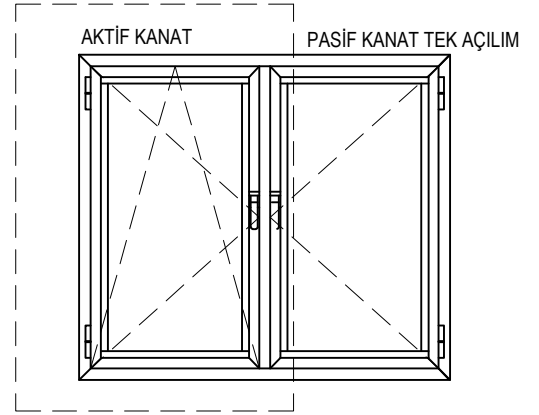
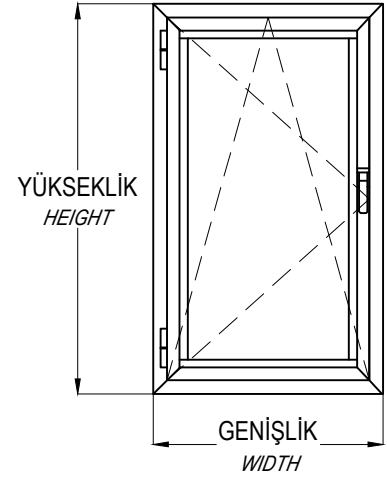
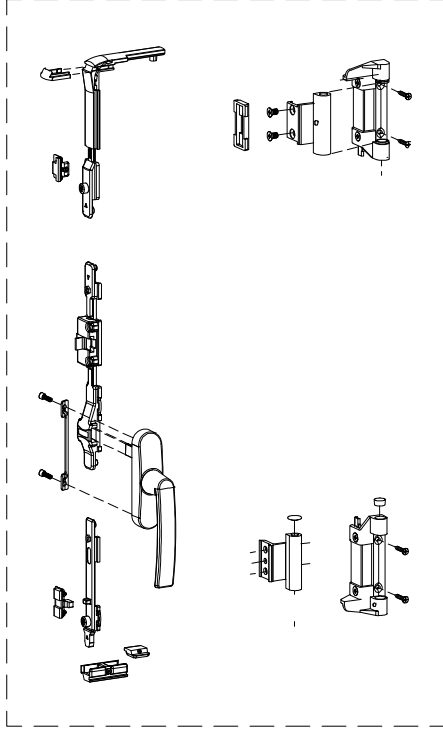
ASISTAL

KÖŞE VULKANİZE FİTİL BAĞLANTISI
GASKET FOR CORNER



ÇİFT EKSEN AÇILIM AKSESUAR KULLANIM TABLOSU / ALU - ALU TT
TILT&TURN OPENING ACCESSORIES TABLE

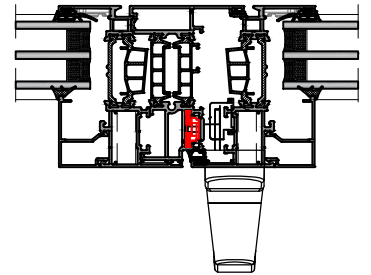
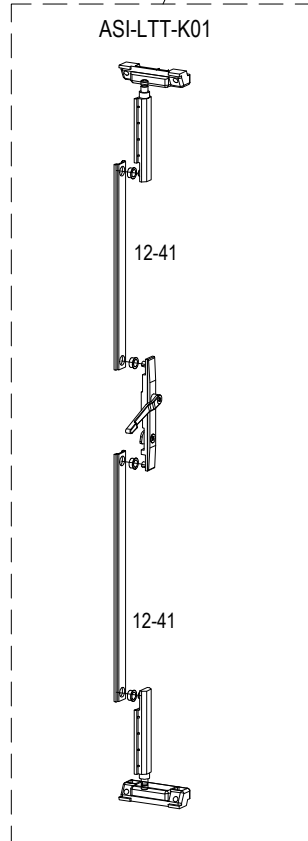
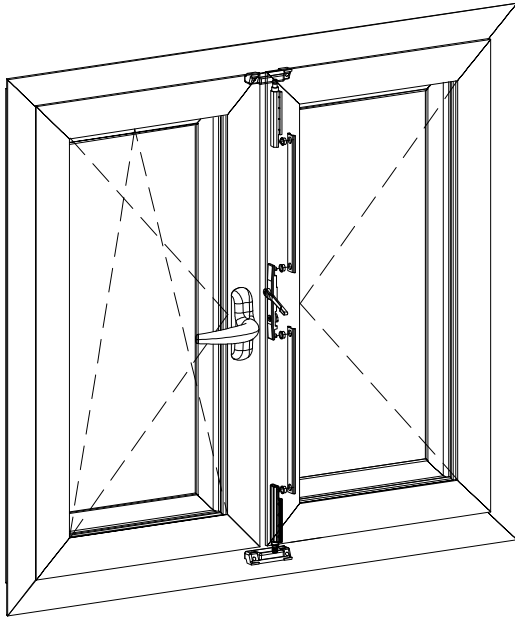
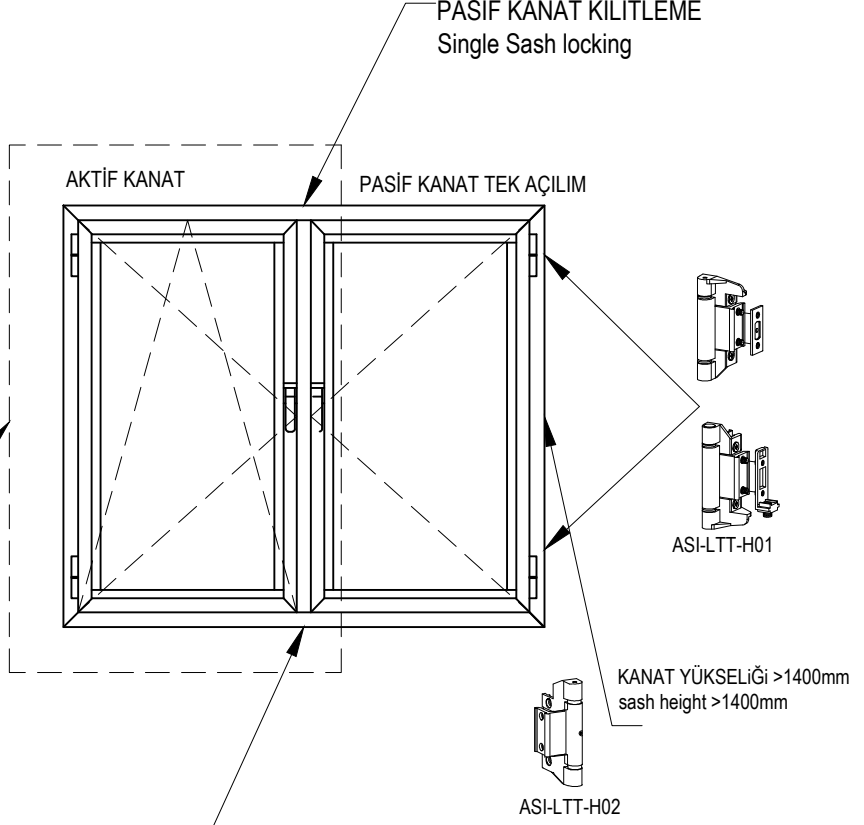
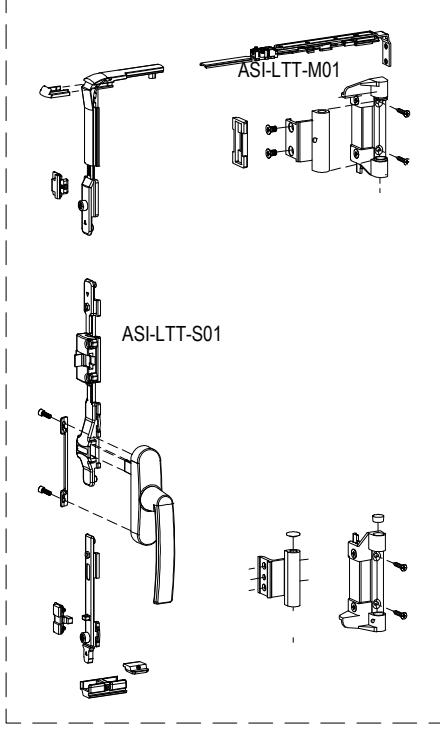
STANDART KİT / ASI-LTT-S01

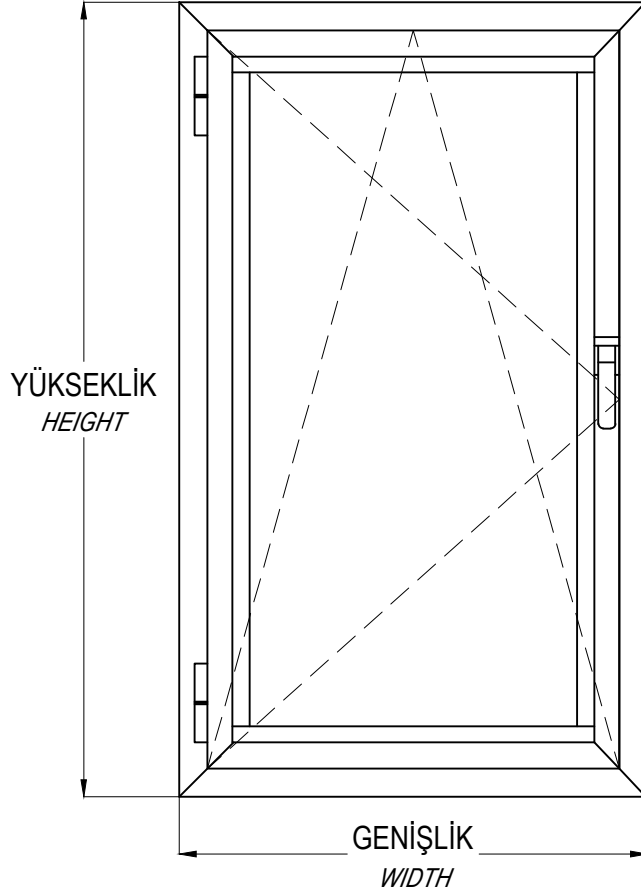


kanat eni	ASI-LTT-S01	ASI-LTT-M01	ASI-LTT-M02	ASI-LTT-M03	ASI-LTT-M04	ASI-LTT-B01
KANAT GENİŞLİK / Sash Widht : 345-400mm	X	X				
KANAT GENİŞLİK / Sash Widht : 401-540mm	X		X			
KANAT GENİŞLİK / Sash Widht : 541-1100mm	X			X		
KANAT GENİŞLİK / Sash Widht : 1100-1500mm	X			X	X	
KANAT YÜKSEKLİK / Sash Height : < 1400mm						X

ÇİFT EKSEN AÇILIM ÇİFT KANAT AKSESUAR KULLANIM TABLOSU / ALU - ALU TT
TILT&TURN OPENING ACCESSORIES TABLE

STANDART KİT / ASI-LTT-S01

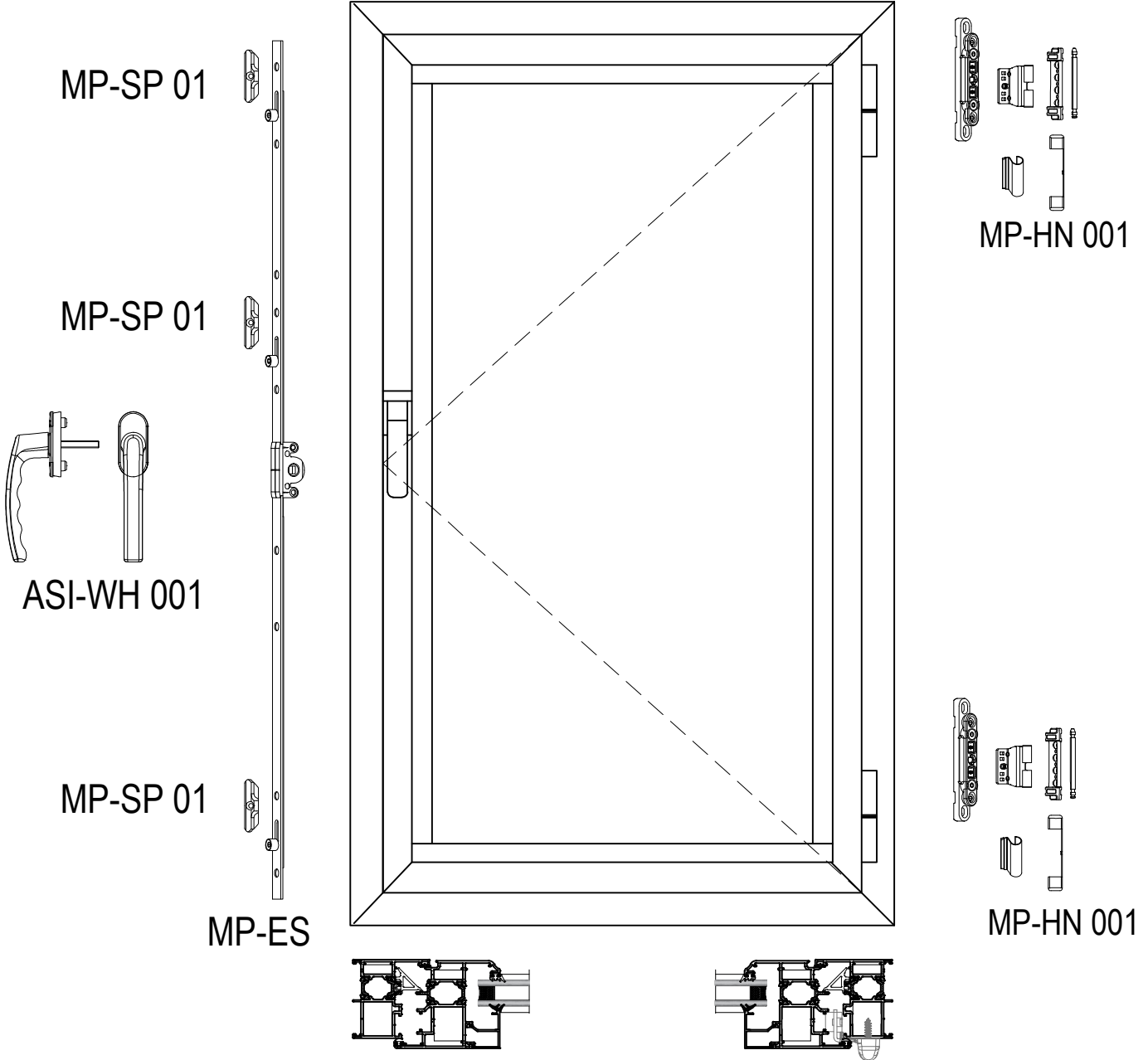


MULTI POINT SİSTEM (PVC KANALLI) ÇİFT EKSEN AÇILIM AKSESUAR TABLOSU / ALU - PVC TT
MULTI POINT SYSTEM TILT&TURN OPENING ACCESSORIES TABLE**MULTI POINT (PVC KANALLI) KİLİTLEME AKSESUAR SEÇİM TABLOSU**

MULTI POINT SYSTEM ACCESSORIES TABLE

GENİŞLİK - WIDTH

YÜKSEKLİK- HEIGHT	GENİŞLİK - WIDTH				
	400-650mm	600-850mm	850-1100mm	1100-1350mm	1350mm-1600mm
450-700 mm	ASI-PVC TT 01	ASI-PVC TT 02	ASI-PVC TT 03	ASI-PVC TT 04	
700-1200 mm	ASI-PVC TT 05	ASI-PVC TT 06	ASI-PVC TT 07	ASI-PVC TT 08	ASI-PVC TT 09
1200-1400 mm	ASI-PVC TT 10	ASI-PVC TT 11	ASI-PVC TT 12	ASI-PVC TT 013	ASI-PVC TT 14
1400-1700 mm	ASI-PVC TT 15	ASI-PVC TT 16	ASI-PVC TT 017	ASI-PVC TT 18	ASI-PVC TT 19
1700-2400 mm	ASI-PVC TT 20	ASI-PVC TT 21	ASI-PVC TT 22	ASI-PVC TT 23	ASI-PVC TT 24

MULTI POINT SİSTEM (PVC KANALLI) TEK EKSEN AÇILIM AKSESUARLARI
MULTI POINT SYSTEM SINGLE OPENING WINDOW ACCESSORIES

WT 77

YALITIMLI KAPI-PENCERE SİSTEMİ
THERMAL WINDOW&DOOR SYSTEM



MULTI POINT SİSTEM (PVC KANALLI) TEK KANAT AÇILIM KAPI AKSESUARLARI
MULTI POINT SYSTEM INNER / OUTER OPENING DOOR ACCESSORIES

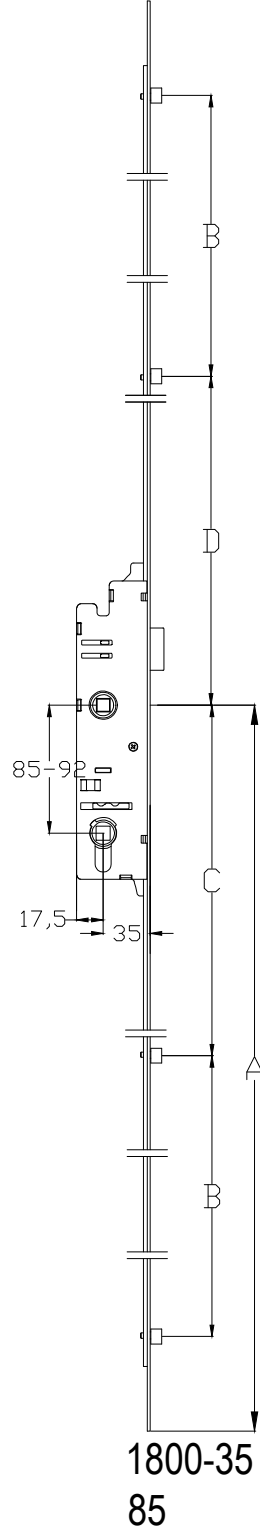
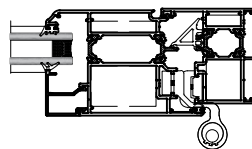
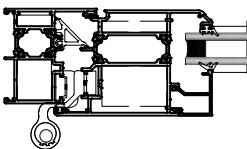
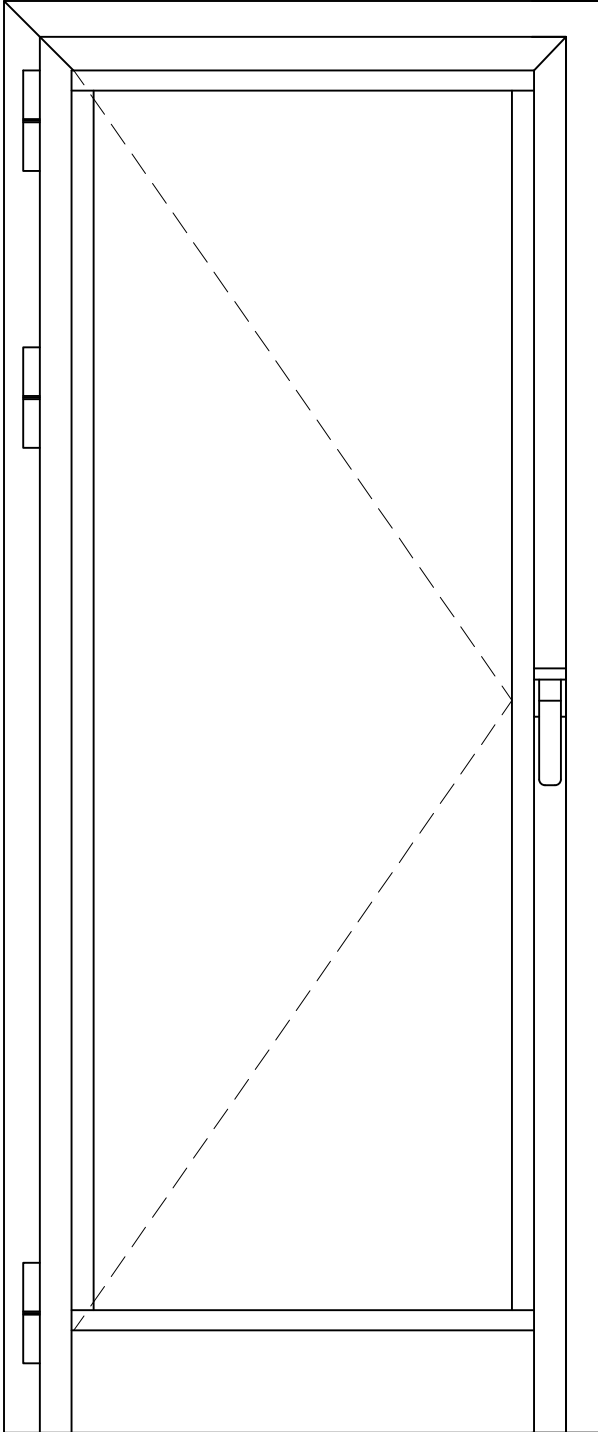
MP-HN 002



MP-HN 002



MP-HN 002



MP-SP 01



MP-SP 01



MP-SP 02

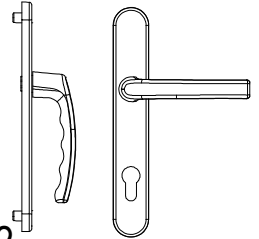
ASI-BRL
90

ASI-DH
001

MP-SP 01



MP-SP 01



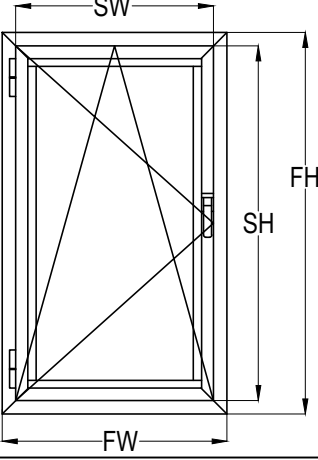
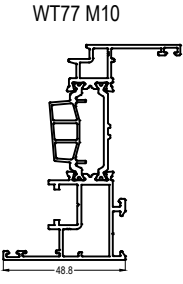
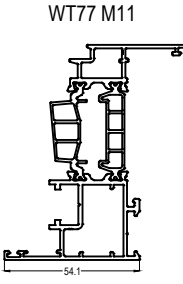
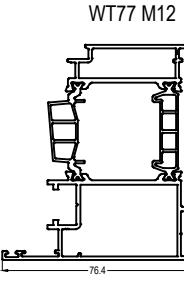
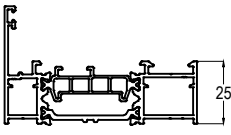
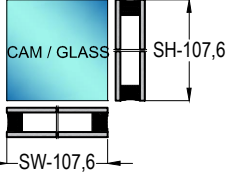
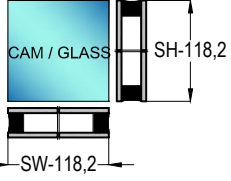
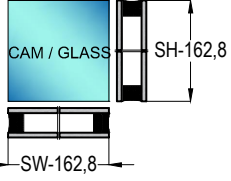
TEK KANAT PENCERE KESİM ÖLÇÜLERİ

SINGLE SASH WINDOW CUTTING SIZES

EURO KANALI KESİM CUTTING FOR EURO GROOVE		KASA PROFİLİ SEÇİMİ / PRAME PROFILE SELECTION		KANAT PROFİLİ SEÇİMİ SASH PROFILE SELECTION			
					WT77 10 	WT77 11 	WT77 12
WT77 01 	2	SW	FW - 38	FW - 38	FW - 38		
	2	SH	FH - 38	FH - 38	FH - 38		
WT77 02 	2	SW	FW - 54	FW - 54	FW - 54		
	2	SH	FH - 54	FH - 54	FH - 54		
WT77 03 	2	SW	FW - 85,4	FW - 85,4	FW - 85,4		
	2	SH	FH - 85,4	FH - 85,4	FH - 85,4		
	2	GH	SH - 132	SH - 152,2	SH - 196,8		
	2	GW	SW - 88	SW - 108,2	SW - 152,8		

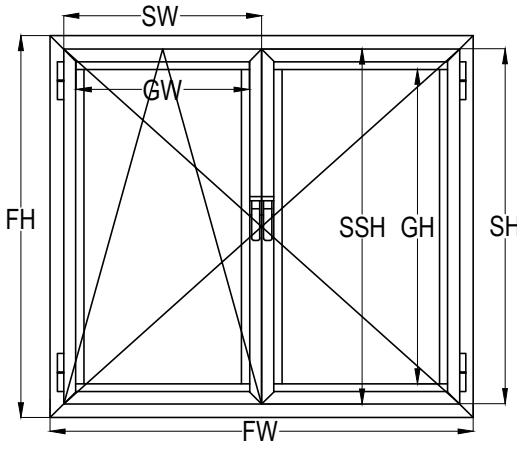
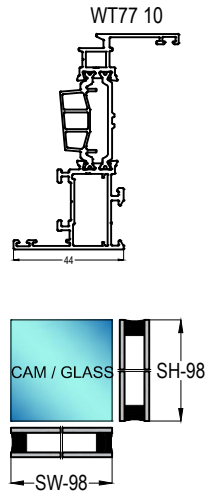
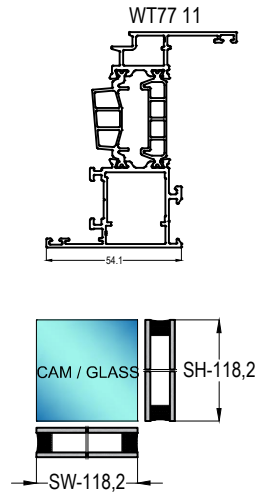
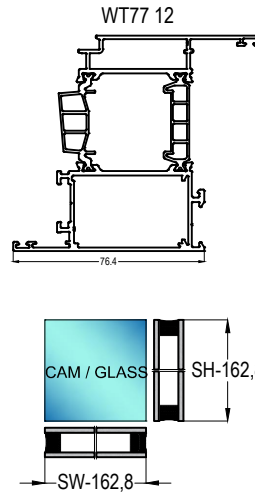
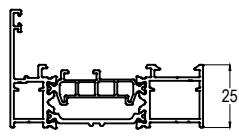
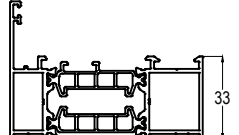
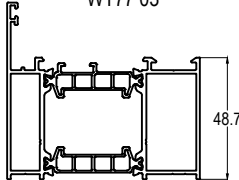
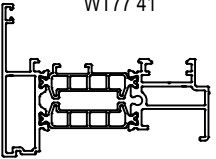
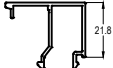
ÇİFT KANAT AÇILIM KESİM ÖLÇÜLERİ

DOUBLE SASH CUTTING SIZES

PVC KANALI KESİM CUTTING FOR MULTI-POINT	KASA PROFİLİ SEÇİMİ / PRAME PROFILE SELECTION		KANAT PROFİLİ SEÇİMİ SASH PROFILE SELECTION		
					
					
	2	SW	FW - 38	FW - 38	FW - 38
	2	SH	FH - 38	FH - 38	FH - 38
	2	SW	FW - 54	FW - 54	FW - 54
	2	SH	FH - 54	FH - 54	FH - 54
	2	SW	FW - 85,4	FW - 85,4	FW - 85,4
	2	SH	FH - 85,4	FH - 85,4	FH - 85,4
	2	GH	SH - 141,6	SH - 152,2	SH - 196,8
	2	GW	SW - 97,6	SW - 108,2	SW - 152,8

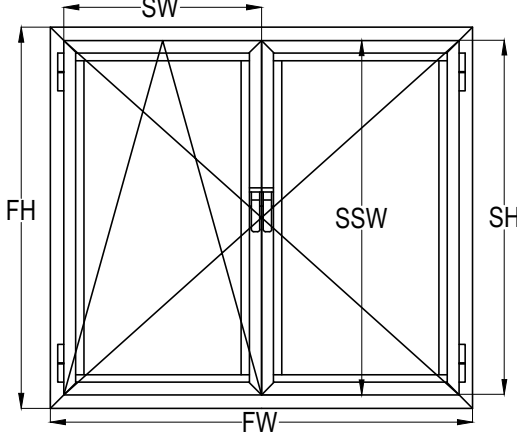
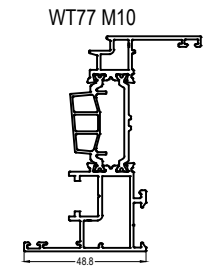
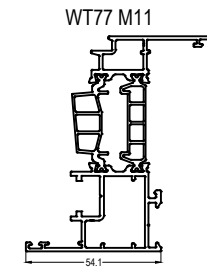
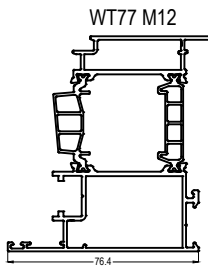
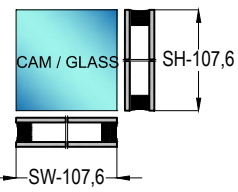
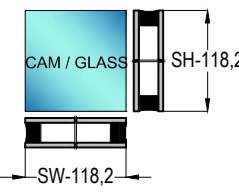
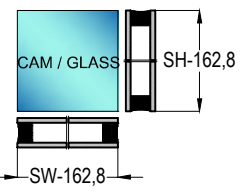
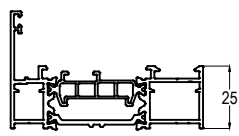
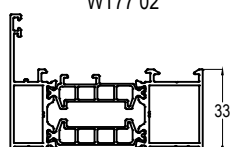
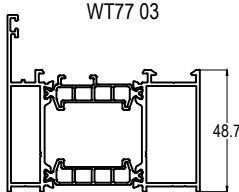
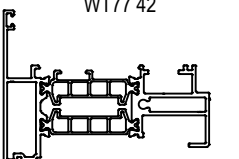
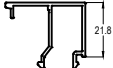
ÇİFT KANAT AÇILIM KESİM ÖLÇÜLERİ

DOUBLE SASH CUTTING SIZES

EURO KANALLI KESİM CUTTING FOR EURO GROOVE	KASA PROFİLİ SEÇİMİ PRAME PROFILE SELECTION		KANAT PROFİLİ SEÇİMİ SASH PROFILE SELECTION		
					
	4	SW	$FW/2 - 21,5$	$FW/2 - 21,5$	$FW/2 - 21,5$
	4	SH	$FH - 38$	$FH - 38$	$FH - 38$
	4	SW	$FW/2 - 29,5$	$FW/2 - 29,5$	$FW/2 - 29,5$
	4	SH	$FH - 54$	$FH - 54$	$FH - 54$
	4	SW	$FW/2 - 45,2$	$FW/2 - 45,2$	$FW/2 - 45,2$
	4	SH	$FH - 85,4$	$FH - 85,4$	$FH - 85,4$
	1	SSH	$SH - 73$	$SH - 73$	$SH - 73$
	4	GH	$SH - 132$	$SH - 152,2$	$SH - 196,8$
	4	GW	$SW - 88$	$SW - 108,2$	$SW - 152,8$

ÇİFT KANAT AÇILIM KESİM ÖLÇÜLERİ

DOUBLE SASH CUTTING SIZES

PVC KANALLI KESİM CUTTING FOR MULTI-POINT	KASA PROFİLİ SEÇİMİ / PRAME PROFILE SELECTION		KANAT PROFİLİ SEÇİMİ SASH PROFILE SELECTION		
	SW	SH	WT77 M10	WT77 M11	WT77 M12
					
					
	4	SW	$\frac{FW}{2} - 21,5$	$\frac{FW}{2} - 21,5$	$\frac{FW}{2} - 21,5$
	4	SH	FH - 38	FH - 38	FH - 38
	4	SW	$\frac{FW}{2} - 29,5$	$\frac{FW}{2} - 29,5$	$\frac{FW}{2} - 29,5$
	4	SH	FH - 54	FH - 54	FH - 54
	4	SW	$\frac{FW}{2} - 45,2$	$\frac{FW}{2} - 45,2$	$\frac{FW}{2} - 45,2$
	4	SH	FH - 85,4	FH - 85,4	FH - 85,4
	1	SSH	SH - 73	SH - 73	SH - 73
	4	GH	SH - 141,6	SH - 152,2	SH - 196,8
	4	GW	SW - 97,6	SW - 108,2	SW - 152,8

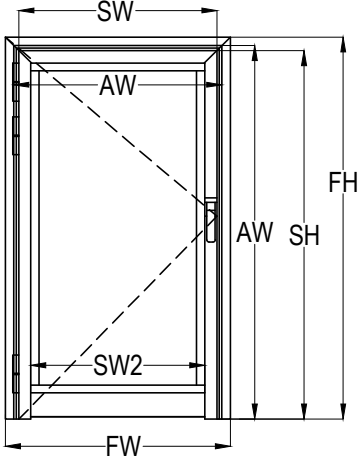
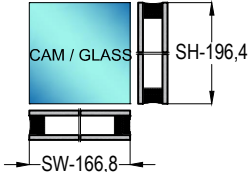
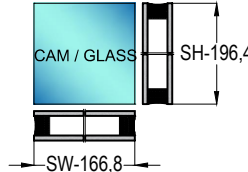
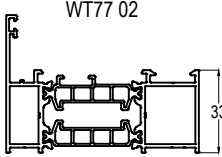
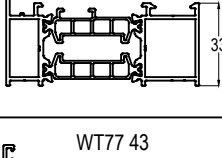
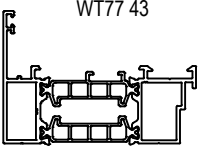
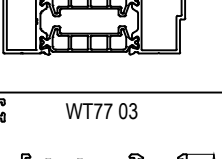
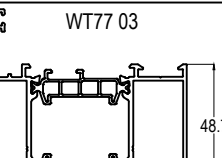
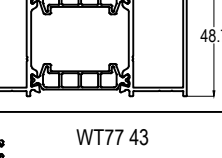
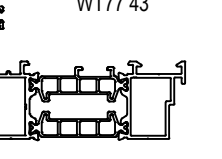
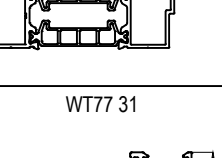
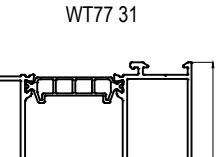
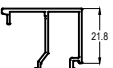

TEK KANAT KAPI KESİM ÖLÇÜLERİ /İÇE AÇILIR

SINGLE SASH DOOR CUTTING SIZES / INNER OPENING

EURO KANALLI KESİM CUTTING FOR EURO GROOVE		PVC KANALLI KESİM CUTTING FOR MULTI-POINT		KASA PROFİLİ SEÇİMİ / PRAME PROFILE SELECTION		KANAT PROFİLİ SEÇİMİ SASH PROFILE SELECTION	
				1	SW	FW - 54	FW - 54
				2	SH	FH - 37	FH - 37
				1	SW	FW - 85,4	FW - 85,4
				2	SH	FH - 52,7	FH - 52,7
				1	SW2	SW-152,8	SW-152,8
				2	GH	SH - 228,4	SH - 228,4
				2	GW	SW - 152,8	SW - 152,8

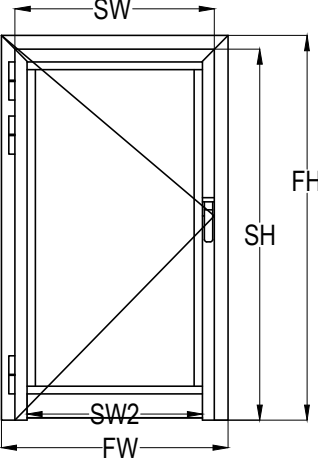

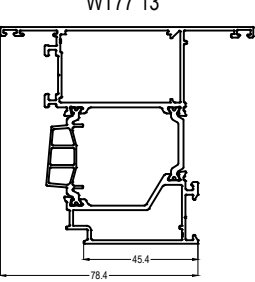
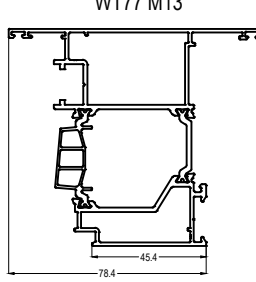
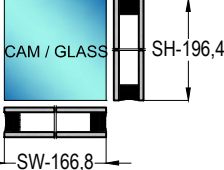
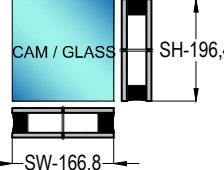
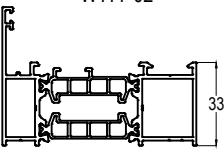
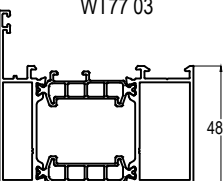
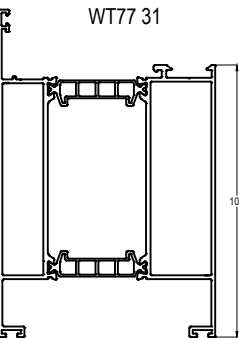
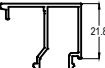
TEK KANAT KAPI KESİM ÖLÇÜLERİ / DIŞA AÇILIR ADAPTÖR PROFİL İLE

SINGLE SASH DOOR CUTTING SIZES/OUTER OPENING WITH ADAPTER PROFILE

EURO KANALLI KESİM CUTTING FOR EURO GROOVE		PVC KANALLI KESİM CUTTING FOR MULTI-POINT		KASA PROFİLİ SEÇİMİ / PRAME PROFILE SELECTION		KANAT PROFİLİ SEÇİMİ SASH PROFILE SELECTION	
							
				1	SW	FW - 116	FW - 116
				2	SH	FH - 68	FH - 68
				1	AW	FW - 66	FW - 66
				2	AH	FW - 33	FW - 33
				1	SW	FW - 147,4	FW - 147,4
				2	SH	FH - 83,7	FH - 83,7
				1	AW	FW - 97,4	FW - 97,4
				2	AH	FW - 48,7	FW - 48,7
				1	SW2	SW-156,8	SW-156,8
				2	GH	SH - 230,4	SH - 230,4
				2	GW	SW - 156,8	SW - 156,8

TEK KANAT KAPI KESİM ÖLÇÜLERİ / DIŞA AÇILIR ADAPTÖR PROFİLSİZ

SINGLE SASH DOOR CUTTING SIZES / OUTER OPENING WITHOUT ADAPTER PROFILE

EURO KANALLI KESİM CUTTING FOR EURO GROOVE		PVC KANALLI KESİM CUTTING FOR MULTI-POINT		KASA PROFİLİ SEÇİMİ / PRAME PROFILE SELECTION		KANAT PROFİLİ SEÇİMİ SASH-PROFILE SELECTION		WT77 13		WT77 M13					
															
		1	SW	FW - 54		FW - 54									
		2	SH	FH - 37		FH - 37									
		1	SW	FW - 85,4		FW - 85,4									
		2	SH	FH - 52,7		FH - 52,7									
		1	SW2	SW-156,8		SW-156,8									
		2	GH	SH - 230,4		SH - 230,4									
		2	GW	SW - 156,8		SW - 156,8									

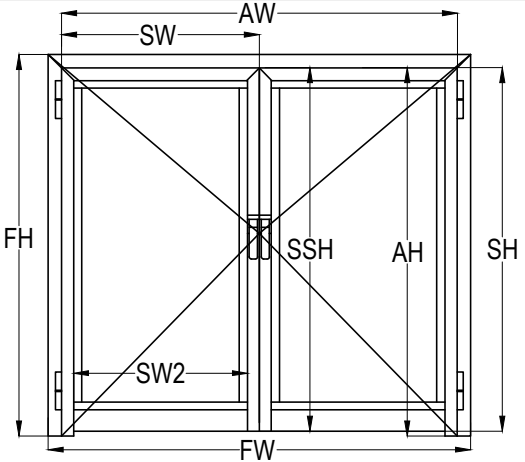
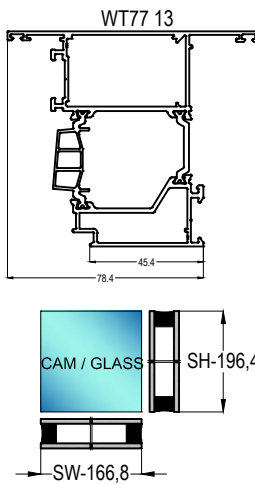
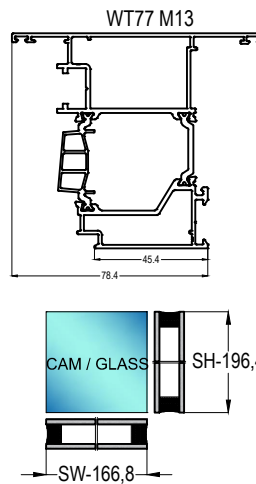
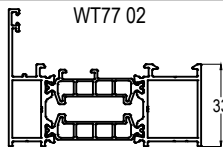
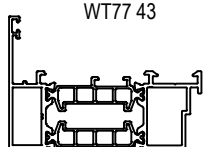
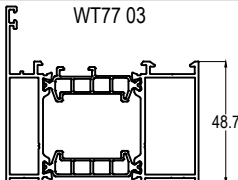
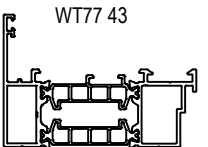
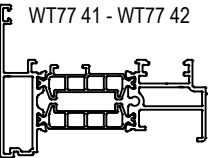
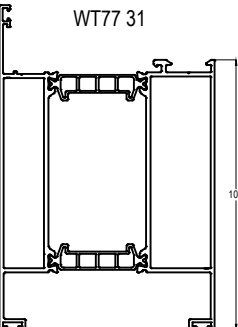
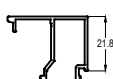
ÇİFT KANAT KAPI AÇILIM KESİM ÖLÇÜLERİ / İÇE AÇILIR

DOUBLE SASH DOOR CUTTING SIZES / INNER OPENING

EURO KANALLI KESİM CUTTING FOR EURO GROOVE		KASA PROFİLİ SEÇİMİ / PRAME PROFILE SELECTION		KANAT PROFİLİ SEÇİMİ SASH PROFILE SELECTION	
KASA PROFİLİ SEÇİMİ / PRAME PROFILE SELECTION					
	2	SW	$FW/2 - 29,5$	$FW/2 - 29,5$	
	4	SH	$FH - 37$	$FH - 37$	
	2	SW	$FW/2 - 45,2$	$FW/2 - 45,2$	
	4	SH	$FH - 52,7$	$FH - 52,7$	
	1	SSH	SH-36	SH-36	
	2	SW2	SW-152,8	SW-152,8	
	4	GH	SH - 228,4	SH - 228,4	
	4	GW	SW - 152,8	SW - 152,8	

ÇİFT KANAT KAPI AÇILIM KESİM ÖLÇÜLERİ / DIŞ AÇILIR ADAPTÖR PROFİL İLE

DOUBLE SASH DOOR CUTTING SIZES / OUTER OPENING WITH ADAPTER PROFILE

EURO KANALLI KESİM CUTTING FOR EURO GROOVE		KASA PROFİLİ SEÇİMİ / PRAME PROFILE SELECTION		KANAT PROFİLİ SEÇİMİ SASH PROFILE SELECTION		WT77 13	WT77 M13
							
		2	SW	FW/2 - 60,5		FW/2 - 60,5	
		4	SH	FH - 68		FH - 68	
		1	AW	FW - 66		FW - 66	
		2	AH	FH - 33		FH - 33	
		2	SW	FW/2 - 76,2		FW/2 - 76,2	
		4	SH	FH - 83,7		FH - 83,7	
		1	AW	FW - 97,4		FW - 97,4	
		2	AH	FH - 48,7		FH - 48,7	
		1	SSH	SH-36		SH-36	
		1	SW2	SW - 156,8		SW - 156,8	
		4	GH	SH - 230,4		SH - 230,4	
		4	GW	SW - 156,8		SW - 156,8	

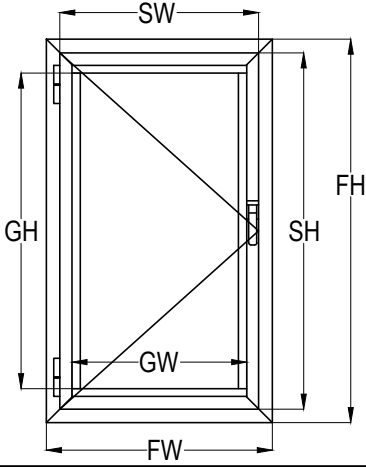
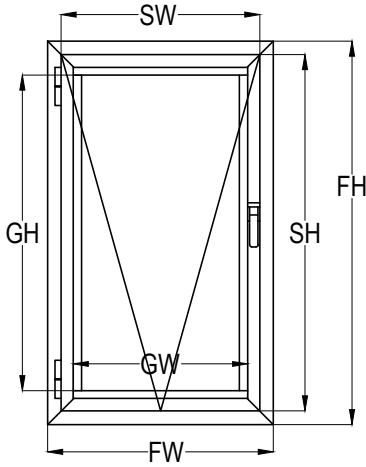
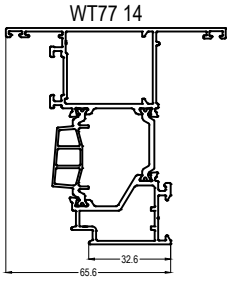
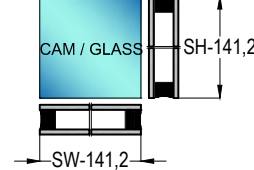
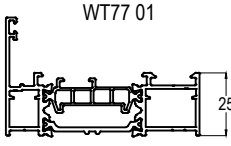
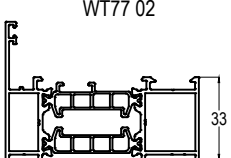
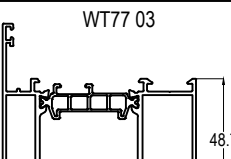
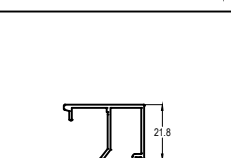
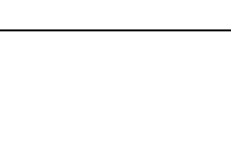

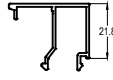

ÇİFT KANAT KAPI KESİM ÖLÇÜLERİ / DIŞA AÇILIR ADAPTÖR PROFİLSİZ

DOUBLE SASH DOOR CUTTING SIZES / OUTER OPENING WITHOUT ADAPTER PROFILE

EURO KANALLI KESİM CUTTING FOR EURO GROOVE		KANAT PROFİLİ SEÇİMİ SASH PROFILE SELECTION		WT77 13	WT77 M13
KASA PROFİLİ SEÇİMİ / FRAME PROFILE SELECTION					
WT77 02	2	SW	$FW/2 - 29,5$	$FW/2 - 29,5$	
	4	SH	$FH - 37$	$FH - 37$	
WT77 03	2	SW	$FW/2 - 45,2$	$FW/2 - 45,2$	
	4	SH	$FH - 52,7$	$FH - 52,7$	
WT77 41 - WT77 42	1	SSH	SH-36	SH-36	
	1	SW2	SW - 156,8	SW - 156,8	
WT77 31	1	SW2	SW - 156,8	SW - 156,8	
	4	GH	SH - 230,4	SH - 230,4	
	4	GW	SW - 156,8	SW - 156,8	

DIŞA AÇILIR TEK KANAT PENCERE KESİM ÖLÇÜLERİ

OUTER OPENING SINGLE SASH WINDOW CUTTING SIZES

EURO KANALLI KESİM CUTTING FOR EURO GROOVE		KASA PROFİLİ SEÇİMİ / PRAME PROFILE SELECTION		KANAT PROFİLİ SEÇİMİ SASH PROFILE SELECTION		KESİM ÖLÇÜLERİ CUTTING SIZES	
							
		2	SW	FW - 38			
		2	SH	FH - 38			
		2	SW	FW - 54			
		2	SH	FH - 54			
		2	SW	FW - 85,4			
		2	SH	FH - 85,4			
		2	GH	SH - 175,2			
		2	GW	SW - 131,2			