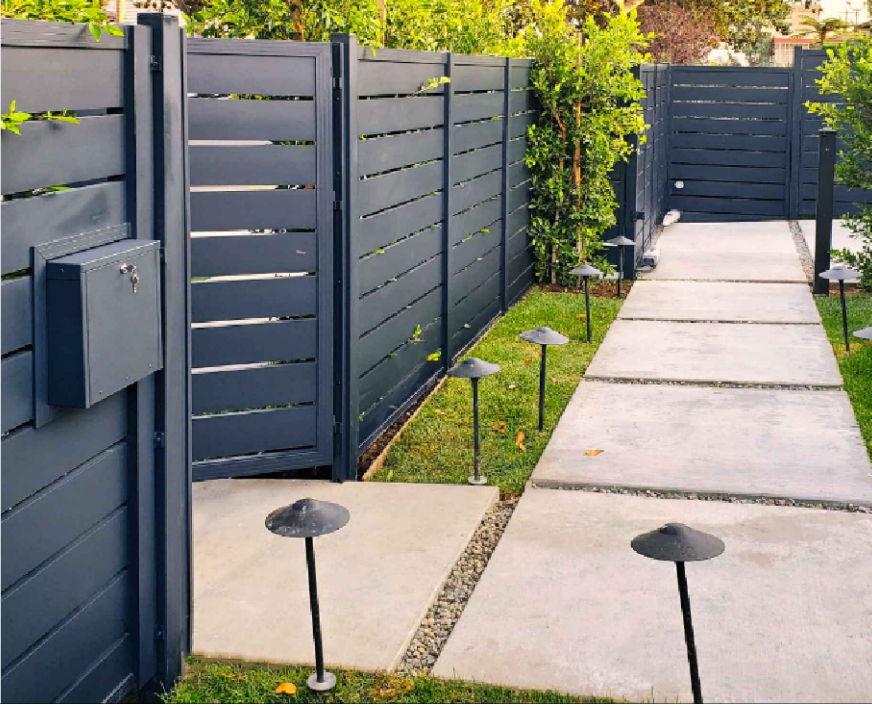


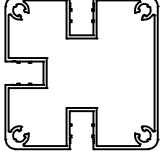


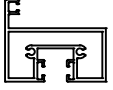
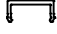
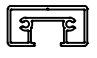
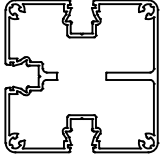


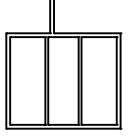

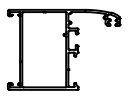
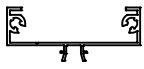
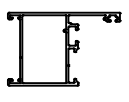
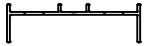
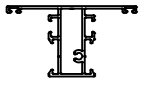
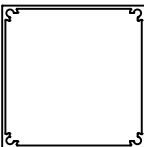
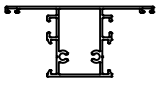

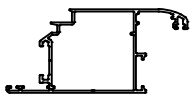
# ALUFENS80

ÇİT SİSTEMİ  
FENCE SYSTEM

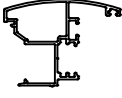
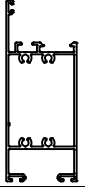




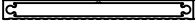


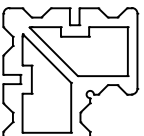


**PROFİL VE AKSESUAR LİSTELERİ**  
*PROFILE & ACCESSORIES LISTS*

## PROFİL LİSTESİ - PROFILE LISTS

13-07717	Jx cm <sup>4</sup> 83,03	Jy cm <sup>4</sup> 79,60		20-601032-25			
DİKME PROFİLİ MULLION PROFILE	AĞIRLIK / Weight 2,519 kg/mt			KÜPEŞTE ÜST PROFİLİ UPPER RAILING PROFILE		AĞIRLIK / Weight 1,021 kg/mt	
13-077017-10	Jx cm <sup>4</sup> 83,03	Jy cm <sup>4</sup> 79,60		BR25-23			
DUVAR DİKME PROFİLİ MULLION PROFILE FOR WALL	AĞIRLIK / Weight 0,308 kg/mt			KAPI KASA PROFİLİ DOOR FRAME PROFILE		AĞIRLIK / Weight 1,261 kg/mt	
13-07838				BR24-24			
DİKME PROFİLİ KAPAK MULLION PROFILE COVER	AĞIRLIK / Weight 0,057 kg/mt			CAM,LAMBRI KAPI KANAT PROFİLİ DOOR SASH PROFILE		AĞIRLIK / Weight 0,729 kg/mt	
1611				INT42-05			
DİKME PROFİLİ MULLION PROFILE	AĞIRLIK / Weight 2,919 kg/mt			ADAPTÖR PROFİLİ ADAPTER PROFILE		AĞIRLIK / Weight 0,361 kg/mt	
1612				1609			
MENTEŞE ALT DESTEK PROFİLİ HINGE PROFILE	AĞIRLIK / Weight 0,306 kg/mt			KANAT PROFİLİ DOOR SASH PROFILE		AĞIRLIK / Weight 1,631 kg/mt	
1613				AS42 02	Jx cm <sup>4</sup> 6,65	Jy cm <sup>4</sup> 6,77	
DİKME PROFİLİ KAPAK MULLION PROFILE COVER	AĞIRLIK / Weight 0,095 kg/mt			KASA PROFİLİ - 60mm FRAME PROFILE	AĞIRLIK / Weight 0,719 kg/mt		
1614				AS42 07	Jx cm <sup>4</sup> 5,44	Jy cm <sup>4</sup> 6,32	
ADAPTÖR PROFİLİ ADAPTER PROFILE	AĞIRLIK / Weight 0,732 kg/mt			KASA PROFİLİ FRAME PROFILE	AĞIRLIK / Weight 0,672 kg/mt		
2329				AS42 21	Jx cm <sup>4</sup> 4,96	Jy cm <sup>4</sup> 5,37	
ADAPTÖR PROFİLİ ADAPTER PROFILE	AĞIRLIK / Weight 0,458 kg/mt			ORTA KAYIT PROFİLİ 70 mm TRANSOM-MULLION PROFILE	AĞIRLIK / Weight 0,759 kg/mt		
20-756001-16				AS42 121	Jx cm <sup>4</sup> 9,01	Jy cm <sup>4</sup> 5,75	
DİKME PROFİLİ MULLION PROFILE	AĞIRLIK / Weight 1,423 kg/mt			ORTA KAYIT PROFİLİ 90 mm TRANSOM-MULLION PROFILE	AĞIRLIK / Weight 0,827 kg/mt		
13-09353				AS42 12	Jx cm <sup>4</sup> 10,80	Jy cm <sup>4</sup> 24,32	
KÜPEŞTE ÜST PROFİLİ UPPER RAILING PROFILE	AĞIRLIK / Weight 0,305 kg/mt			İÇE AÇILIR KAPI KANAT PROFİLİ INNER OPENING DOOR SASH PROFILE	AĞIRLIK / Weight 0,985 kg/mt		




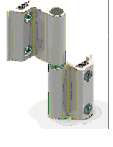

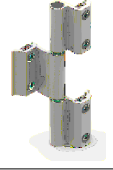



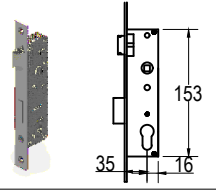


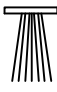
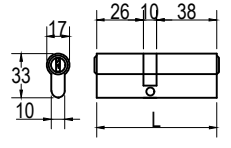

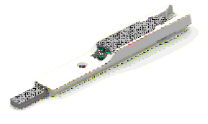
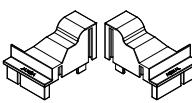
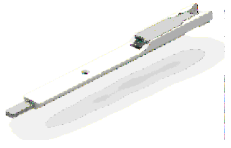
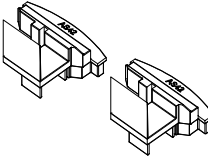

## PROFİL LİSTESİ - PROFILE LISTS

<b>AS42 41</b>				
ÇİFT KANAT ADAPTÖR PROFİLİ <i>DOUBLE SASH ADAPTER PROFILE</i>	AĞIRLIK / Weight 0,775 kg/mt			
<b>AS42 32</b>				
ETEK PROFİLİ-95mm <i>BOTTOM PLATE PROFILE</i>	AĞIRLIK / Weight 1,149 kg/mt			
<b>AS42 33</b>				
ETEK PROFİLİ ADAPTÖRÜ <i>BOTTOM PLATE ADAPTER PROFILE</i>	AĞIRLIK / Weight 0,480 kg/mt			
<b>AS42 54</b>				
EŞİK PROFİLİ <i>BOTTOM RAIL PROFILE</i>	AĞIRLIK / Weight 0,350 kg/mt			
<b>11-017</b>				
CAM ÇİTASI - 17mm <i>GLAZING BEAD PROFILE</i>	AĞIRLIK / Weight 0,249 kg/mt			
<b>13-09056</b>				
LAMEL PROFİLİ <i>PANELLING PROFILE</i>	AĞIRLIK / Weight 0,946 kg/mt			
<b>2330</b>				
LAMEL PROFİLİ <i>PANELLING PROFILE</i>	AĞIRLIK / Weight 0,930 kg/mt			
<b>12-125010-11</b>				
LAMBRI PROFİLİ <i>PANELLING PROFILE</i>	AĞIRLIK / Weight 0,815 kg/mt			
<b>02-09010-11</b>				
KUTU PROFİLİ <i>BOX PROFILE</i>	AĞIRLIK / Weight 0,583 kg/mt			
<b>1610</b>				
KÖŞE TAKOZU <i>CORNER CON.PROFILE</i>	AĞIRLIK / Weight 5,623 kg/mt			

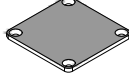
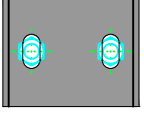
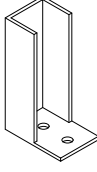
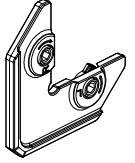
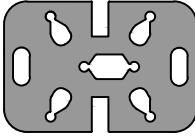

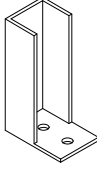

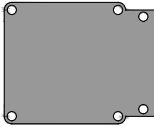
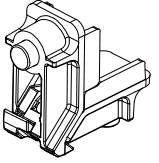
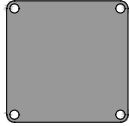
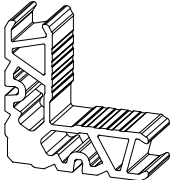
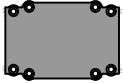
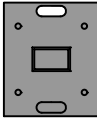
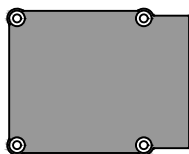
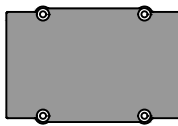
Profil ağırlıklarımız teorik olup, teslim anındaki tartımımız geçerlidir.

Profile weights are theoretical and the weight at the time of delivery is valid.

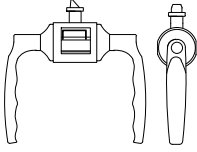
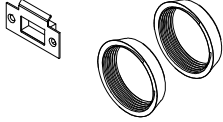
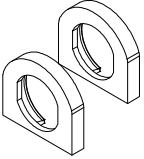
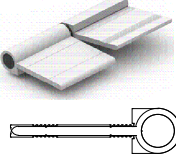
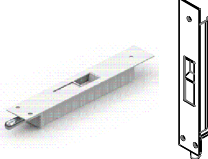
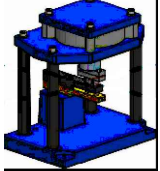
## AKSESUAR LİSTESİ - ACCESSORIES LISTS

EP1-01			ASI-H 3300		
DIŞ CAM FİTİLİ - 3,5 mm <i>OUTER GLAZING GASKET</i>	KOLİ MİKTARI/Package 240 mt / 15 kg		SİSTEM KAPI MENTEŞESİ <i>SYSTEM DOOR HINGE</i>	KOLİ MİKTARI/Package Adet / Piece	
EP2-01			ASI-H 9730		
İÇ CAM FİTİLİ - 3 mm <i>INNER GLAZING GASKET</i>	KOLİ MİKTARI/Package mt / kg		SİSTEM İKİLİ MENTEŞE <i>DOUBLE SYSTEM HINGE</i>	KOLİ MİKTARI/Package 250 Adet / Piece	
KC 02			ASI-H 9733		
CAM FİTİLİ - 2 mm <i>GLAZING GASKET</i>	KOLİ MİKTARI/Package 100 mt / 4,5 kg		SİSTEM ÜÇLÜ MENTEŞE <i>TRIPLE SYSTEM HINGE</i>	KOLİ MİKTARI/Package 250 Adet / Piece	
EP3-03			ASI-DH 002		
KASA BİNİ FİTİLİ <i>FRAME GASKET</i>	KOLİ MİKTARI/Package mt / kg		KAPI KOLU <i>DOOR HANDLE</i>	KOLİ MİKTARI/Package Adet / Piece	
MO-60			ASI-153 35		
KENET BİNİ FİTİLİ <i>CENTRAL SEALING GASKET</i>	KOLİ MİKTARI/Package 200 mt		DİLLİ KİLİT <i>MORTISE LOCK WITH CYLINDER</i>	KOLİ MİKTARI/Package Adet / Piece	
EP4-01			ASI-LS 90185D		
ORTA BİNİ FİTİLİ <i>GASKET FOR OPEN JOINT</i>	KOLİ MİKTARI/Package 150 mt / 15 kg		DİLLİ KİLİT KARŞILIĞI <i>LOCK STRIKES</i>	KOLİ MİKTARI/Package Adet / Piece	
KF 67-1000			ASI-BRL 74		
FİRÇA FİTİL <i>BRUSH GASKET</i>	KOLİ MİKTARI/Package 600 mt		74 LÜK BAREL <i>CYLINDER 74</i>	KOLİ MİKTARI/Package Adet / Piece	
ASI-F 100A			ASI-B 2217		
KAPI ALTI FIRÇASI <i>DOOR BRUSH GASKET</i>	KOLİ MİKTARI/Package Adet / Piece		SÜRGÜ KİLİTLEME-KISA <i>SASH FIXING LOCK-SHORT</i>	KOLİ MİKTARI/Package 240 Adet / Piece	
AS42 CAP			ASI-B 2215		
AS42 33 KAPAĞI <i>AS42 33 COVER</i>	KOLİ MİKTARI/Package sağ-sol 1 takım		SÜRGÜ KİLİTLEME-UZUN <i>SASH FIXING LOCK-LONG</i>	KOLİ MİKTARI/Package 120 Adet / Piece	
AS42 HOK			ASI-WDC 01		
ADAPTÖR KAPAĞI <i>ADAPTER COVER</i>	KOLİ MİKTARI/Package alt-üst 1 takım		YAĞMUR TAHLİYE KAPAĞI <i>WATER REJECT COVER</i>	KOLİ MİKTARI/Package Adet / Piece	

## AKSESUAR LİSTESİ - ACCESSORIES LISTS

<b>FENS80-01</b>			<b>FES80-7575-03</b>		
DİKME KAPAĞI MULLION COVER 13-07717	KOLİ MİKTARI/Package Adet / Pcs		DİKME ANKRAJ MULLION FIX PART 20-756001-16	KOLİ MİKTARI/Package Adet / Pcs	
<b>FENS80-02</b>			<b>ASI-FUJI 2000</b>		
DİKME ANKRAJ MULLION FIX PART 13-07717	KOLİ MİKTARI/Package Adet / Pcs		AYARLI KÖŞE GÖNYESİ CORNER ALIGNMENT	KOLİ MİKTARI/Package Adet / Pcs	
<b>FENS80-03</b>			<b>ASI-SB 19</b>		
DİKME ANKRAJ MULLION FIX PART 13-07717	KOLİ MİKTARI/Package Adet / Pcs		KÖŞE GÖNYESİ CORNER ALIGNMENT	KOLİ MİKTARI/Package 1000 Adet / Piece	
<b>FENS80-04</b>			<b>ASI-SB 19.1</b>		
DİKME ANKRAJ MULLION FIX PART 13-07717	KOLİ MİKTARI/Package Adet / Pcs		KÖŞE GÖNYESİ CORNER ALIGNMENT	KOLİ MİKTARI/Package 1000 Adet / Piece	
<b>FENS80-05-01</b>			<b>ASI-PB 2326</b>		
DİKME KAPAĞI-1611 MULLION COVER	KOLİ MİKTARI/Package Adet / Pcs		PİMLİ KÖŞE BAĞLANTI CORNER JOINT	KOLİ MİKTARI/Package 200 Adet / Piece	
<b>FENS80-05-02</b>			<b>ASI-KT 2660</b>		
DİKME KAPAĞI-1611 MULLION COVER	KOLİ MİKTARI/Package Adet / Pcs		KÖŞE TAKOZU CORNER JOINT	KOLİ MİKTARI/Package Adet / Pcs	
<b>FENS80-05-03</b>					
DİKME KAPAĞI-1611 MULLION COVER	KOLİ MİKTARI/Package Adet / Pcs		Ö:1/8		
<b>FENS80-06</b>					
DİKME ANKRAJ-1611 MULLION FIX PART	KOLİ MİKTARI/Package Adet / Pcs		Ö:1/8		
<b>FES80-7575-01</b>					
DİKME KAPAĞI MULLION COVER 20-756001-16	KOLİ MİKTARI/Package Adet / Pcs		Ö:1/4		
<b>FES80-7575-02</b>					
DİKME KAPAĞI MULLION COVER 20-756001-16	KOLİ MİKTARI/Package Adet / Pcs		Ö:1/5		

## AKSESUAR LİSTESİ - ACCESSORIES LISTS

<b>ASI-HCS 01</b>				
SHUTTER,AHŞAP VE CAM KAPI KOLU <i>SHUTTER WOOD &amp; GLASS DOOR HANDLE</i>	KOLİ MİKTARI/Package Takım / Set			
				
<b>ASI-HCS 01A</b>				
CAM KAPI KOL AYNASI <i>GLASS DOOR HANDLE ACCESSORY</i>	KOLİ MİKTARI/Package Takım / Set			
<b>ASI-INT 01</b>				
KAPI YAPRAK MENTEŞE <i>DOOR HINGE</i>	KOLİ MİKTARI/Package Adet / Piece			
<b>ASI-AK 545</b>				
SÜRGÜ KİLİTLEME <i>SASH FIXING BOLT</i>	KOLİ MİKTARI/Package Adet / Piece			
<b>501 EKO PANÇ</b>				
KÖŞE PİMLİ BAĞLANTI PANÇ MAKİNESİ <i>PUNCH MACHINE FOR CORNER JOINT WITH PIN</i>	KOLİ MİKTARI/Package Adet / Piece			

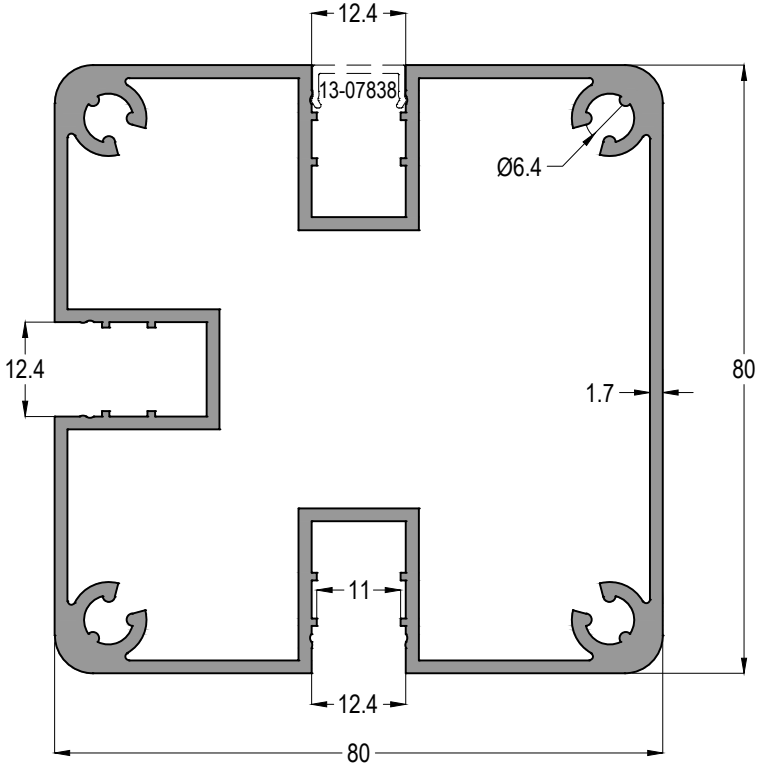
**PROFİL DETAYLARI**  
*PROFILE DETAILS*


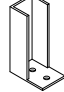
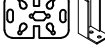


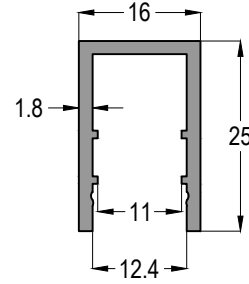
# ALUFENS80

ÇİT SİSTEMİ  
FENCE SYSTEM

## ASISTAL



<b>13-07717</b>			Jx cm <sup>4</sup>	Jy cm <sup>4</sup>
			83,02	79,60
 FENS80-01	 FENS80-02	 FENS80-03 FENS80-04	AĞIRLIK / Weight	
			2,519 kg/mt	



**13-077017-10**

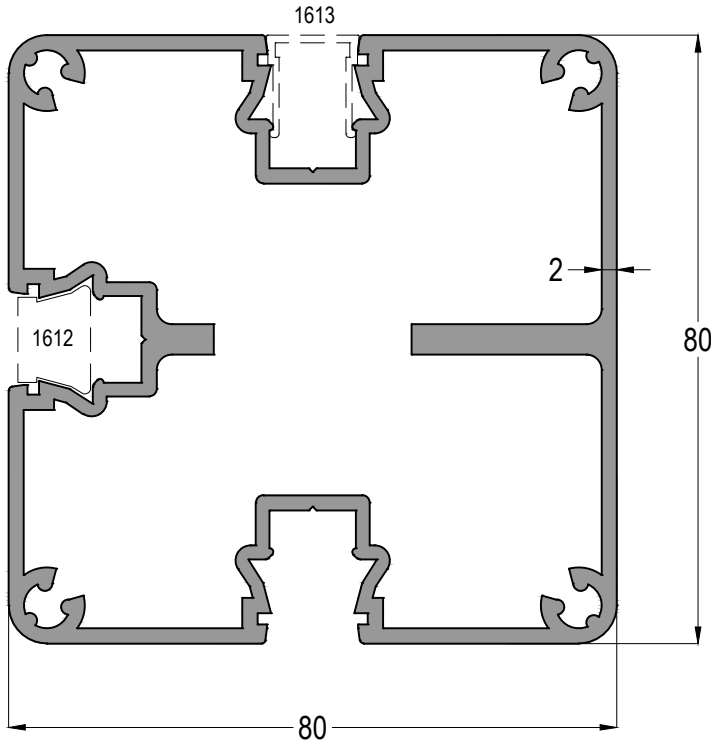
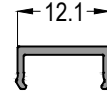
AĞIRLIK / Weight


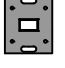
0,308 kg/mt

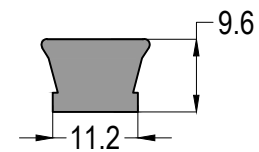
**13-07838**

AĞIRLIK / Weight

0,057 kg/mt



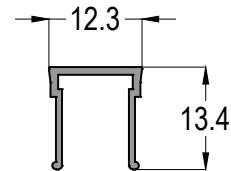
<b>1611</b>			Jx cm <sup>4</sup>	Jy cm <sup>4</sup>
			85,76	82,01
 FENS80-05-01	 FENS80-06		AĞIRLIK / Weight	
			2,919 kg/mt	



**1612**

AĞIRLIK / Weight

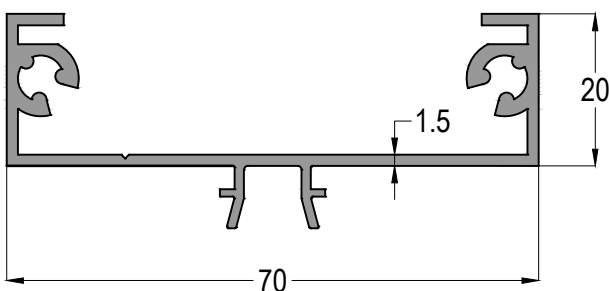
0,306 kg/mt



**1613**

AĞIRLIK / Weight

0,095 kg/mt



**1614**

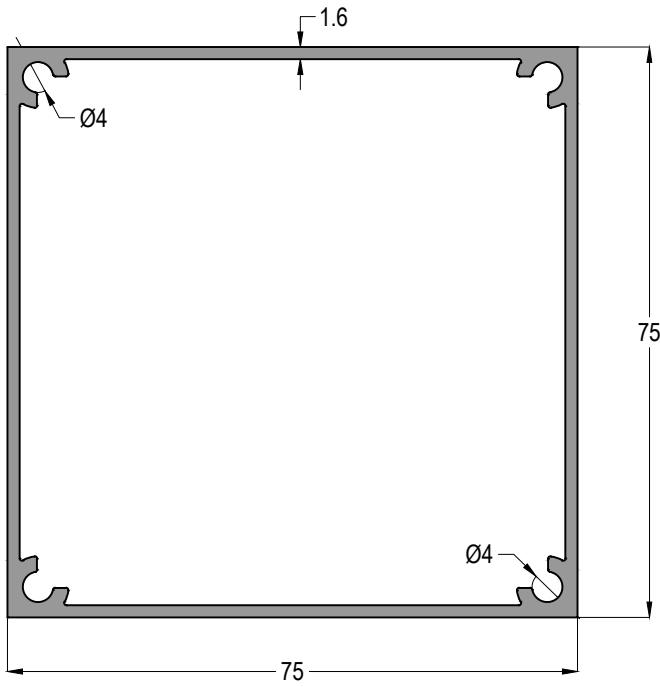
AĞIRLIK / Weight

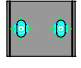


0,732 kg/mt

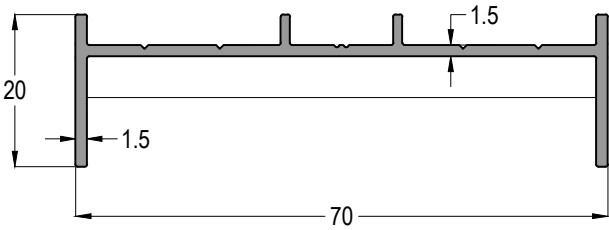
# ALUFENS80

ÇİT SİSTEMİ  
FENCE SYSTEM

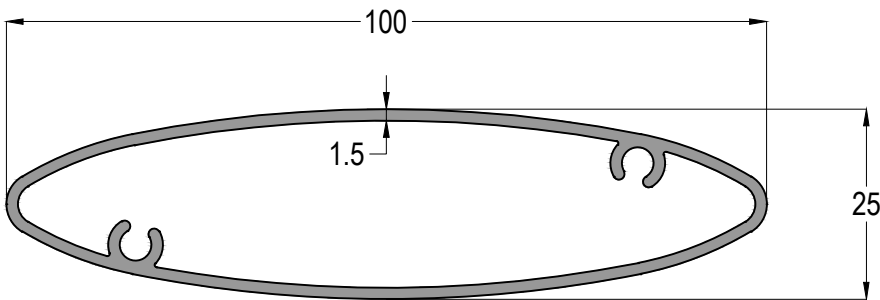
## ASISTAL



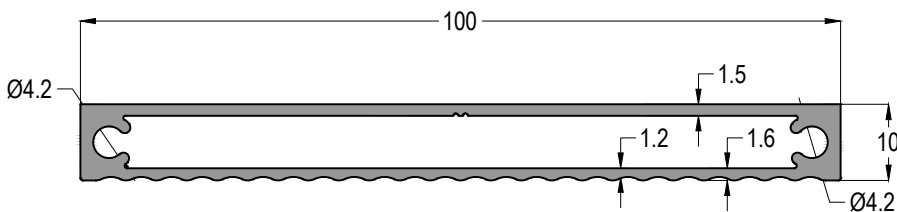
20-756001-16	Jx cm <sup>4</sup>	Jy cm <sup>4</sup>
	48,41	48,41
 FES80-7575-03	 FES80-7575-01	 FES80-7575-02
AĞIRLIK / Weight		
1,423 kg/mt		



2329	
AĞIRLIK / Weight	
0,458 kg/mt	



13-09056	
AĞIRLIK / Weight	
0,946 kg/mt	

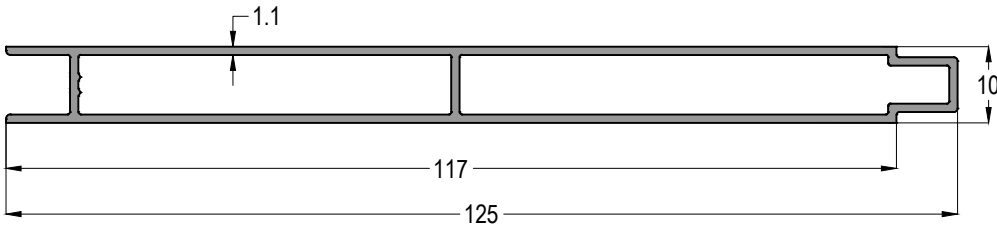


2330	
AĞIRLIK / Weight	
0,930 kg/mt	

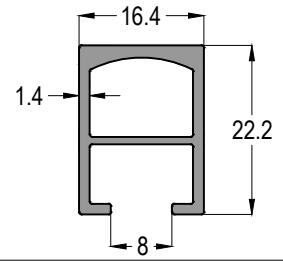
# ALUFENS80

ÇİT SİSTEMİ  
FENCE SYSTEM

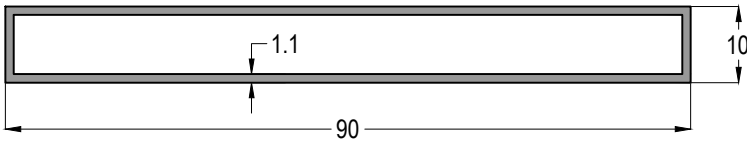
## ASISTAL



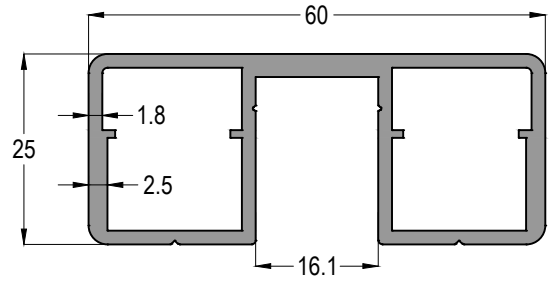
12-125010-11	
AĞIRLIK / Weight	
	0,815 kg/mt



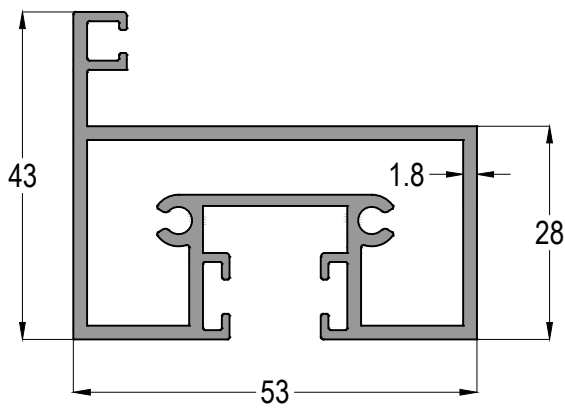
13-09353	
AĞIRLIK / Weight	
	0,305 kg/mt



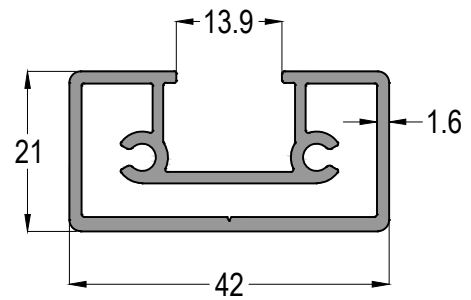
02-09010-11	
AĞIRLIK / Weight	
	0,583 kg/mt



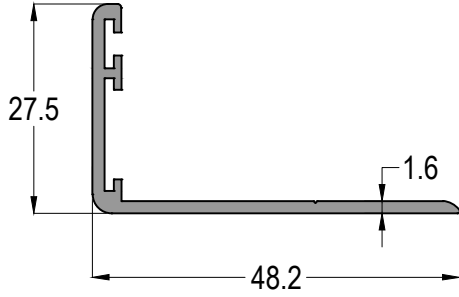
20-601032-25	
AĞIRLIK / Weight	
	1,021 kg/mt



BR25-23	
AĞIRLIK / Weight	
	1,261 kg/mt



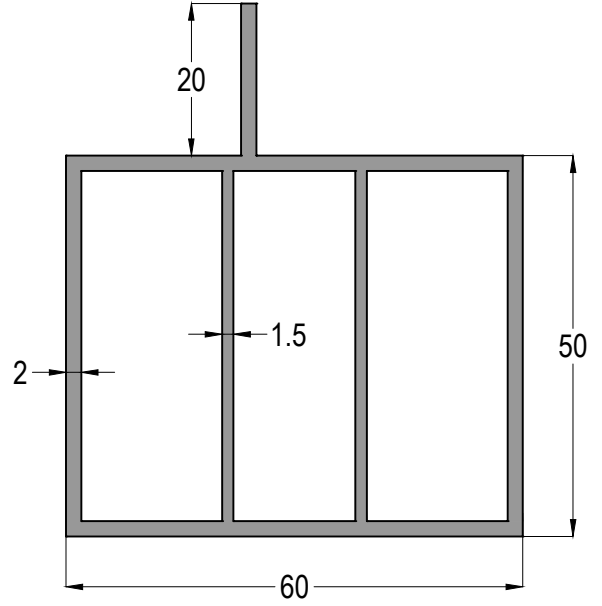
BR24-24	
AĞIRLIK / Weight	
	0,729 kg/mt



INT42-05

AĞIRLIK / Weight

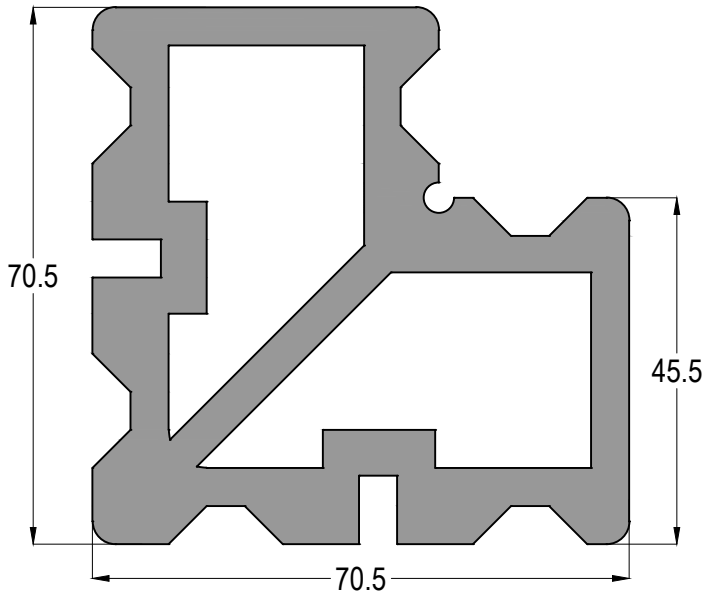
0,361 kg/mt



1609

AĞIRLIK / Weight

1,631 kg/mt



1610

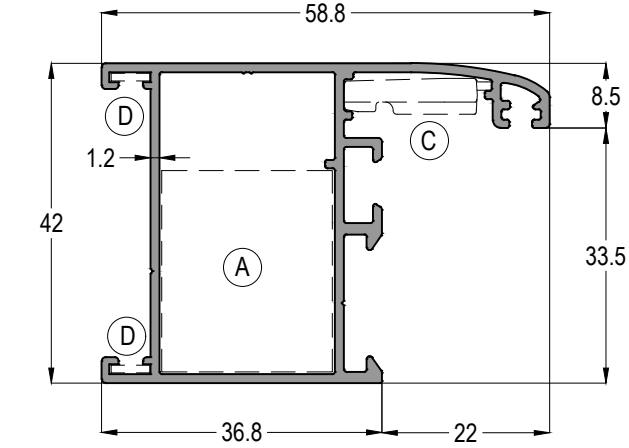
AĞIRLIK / Weight

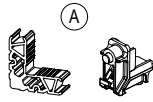

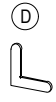
5,623 kg/mt

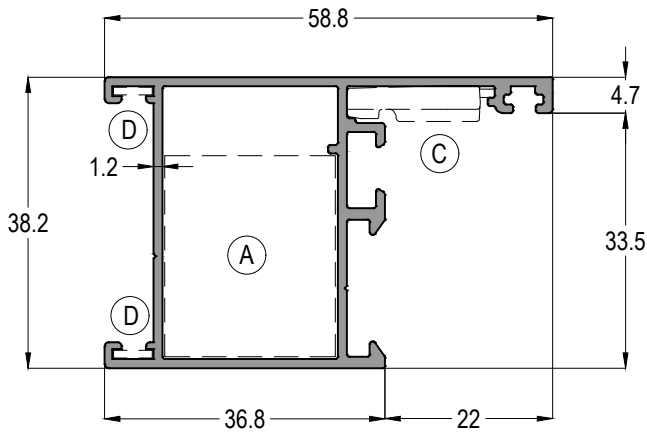
# ALUFENS80



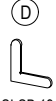
ÇİT SİSTEMİ  
FENCE SYSTEM

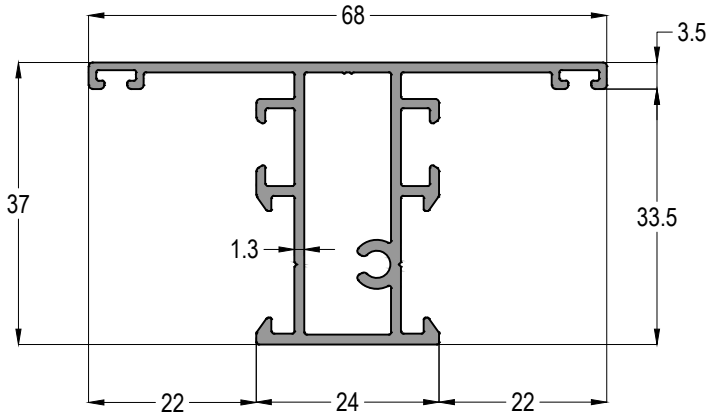
## ASISTAL



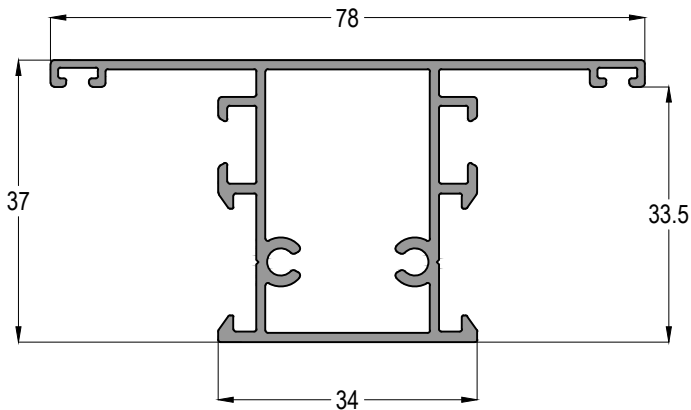
AS42 02	Jx cm <sup>4</sup>	Jy cm <sup>4</sup>
	6,65	6,77
 ASI-KT 2660-ASI-PB 2326	 ASI-FUJI 2000	 ASI-SB 19
AĞIRLIK / Weight		
0,719 kg/mt		



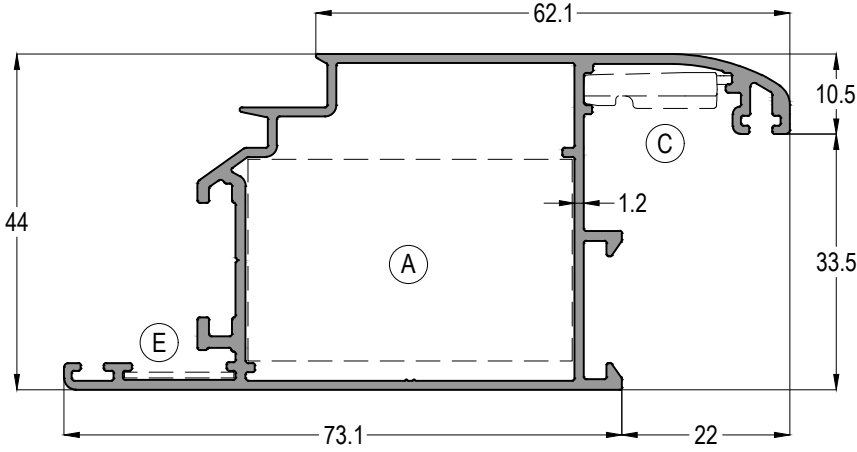
AS42 07	Jx cm <sup>4</sup>	Jy cm <sup>4</sup>
	5,44	6,32
 ASI-KT 2660-ASI-PB 2326	 ASI-FUJI 2000	 ASI-SB 19
AĞIRLIK / Weight		
0,672 kg/mt		



AS42 21	Jx cm <sup>4</sup>	Jy cm <sup>4</sup>
	4,96	5,37
AĞIRLIK / Weight		
0,759 kg/mt		

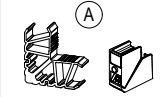


AS42 121	Jx cm <sup>4</sup>	Jy cm <sup>4</sup>
	9,01	5,75
AĞIRLIK / Weight		
0,827 kg/mt		



### AS42 12

Jx cm <sup>4</sup>	Jy cm <sup>4</sup>
10,80	24,32



ASI-KT 2650-ASI-PB 2650



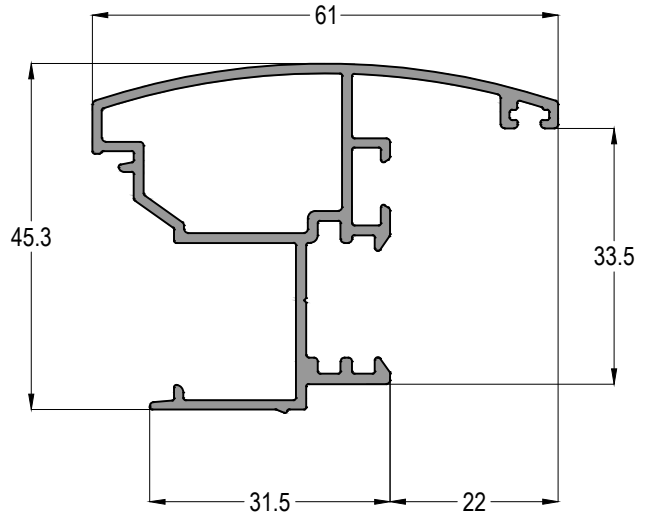
ASI-FUJI 2000



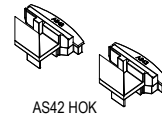
ASI-SB 19.1

AĞIRLIK / Weight

0,985 kg/mt



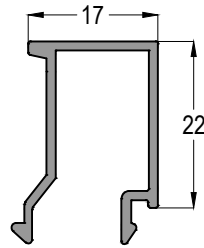
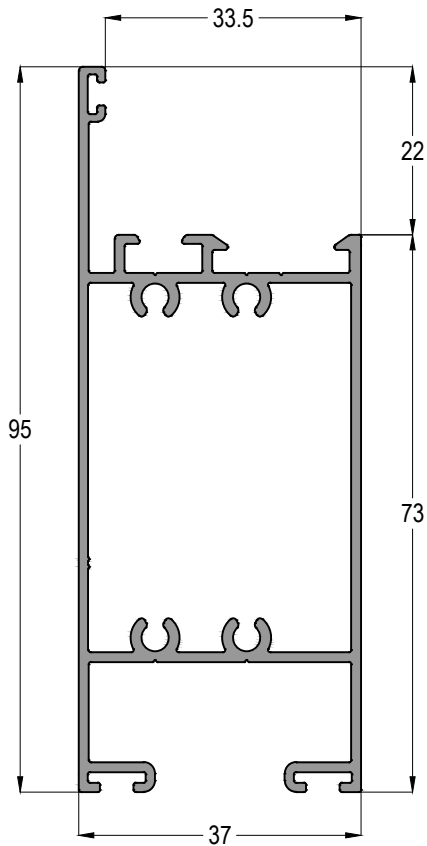
### AS42 41



AS42 HOK

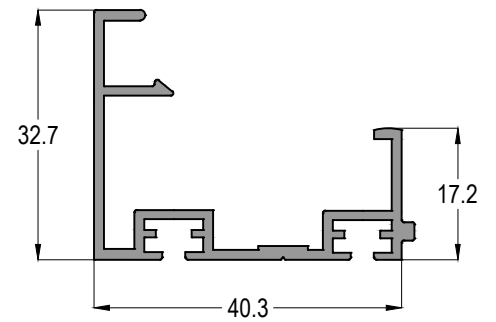
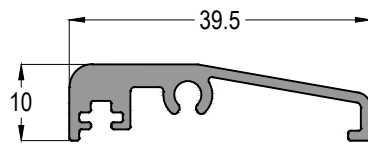
AĞIRLIK / Weight

0,775 kg/mt



### 11-017

0,249 kg/mt



### AS42 32

Jx cm <sup>4</sup>	Jy cm <sup>4</sup>
31,19	8,83

AĞIRLIK / Weight

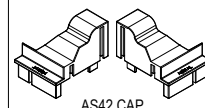
1,149 kg/mt

### AS42 54

AĞIRLIK / Weight

0,350 kg/mt

### AS42 33



AS42 CAP

AĞIRLIK / Weight

0,480 kg/mt

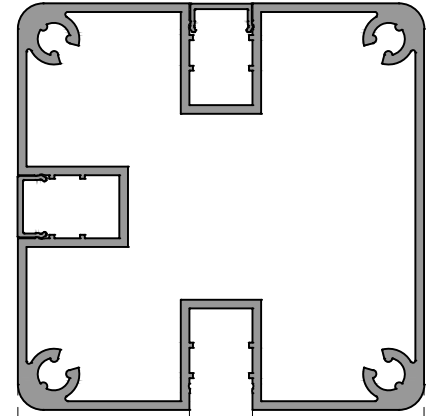
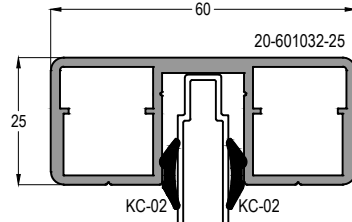
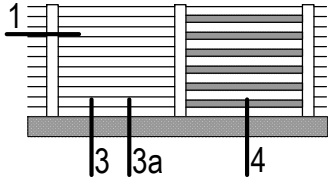
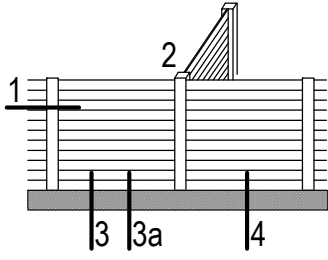
**SİSTEM DETAYLARI**  
*SYSTEM DETAILS*

# ALUFENS80

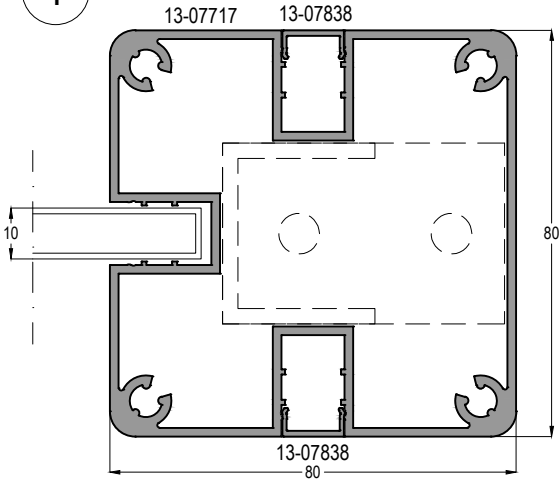
ÇİT SİSTEMİ  
FENCE SYSTEM

ASISTAL

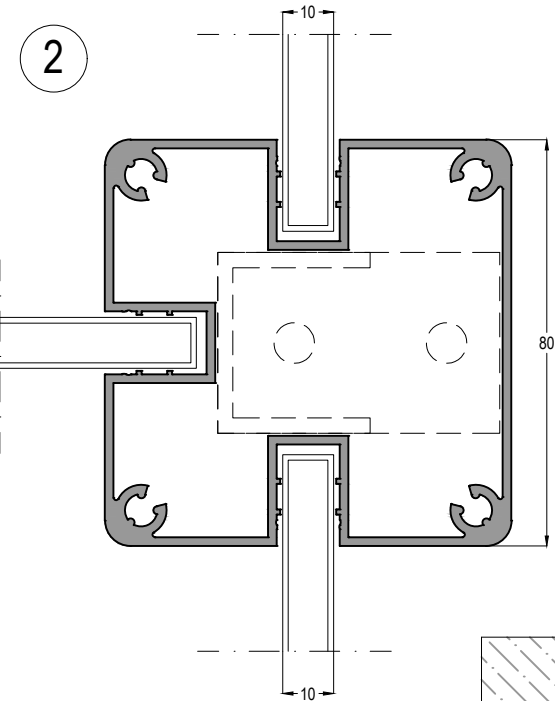
13-07717



1



2



13-09353

silikon ile sabitlenmeli  
you should use silicone for fix

13-07838

117

12-125010-11

90

02-09010-11

3

117

12-125010-11

50

13-07838

4

90

02-09010-11

ö: 2/3

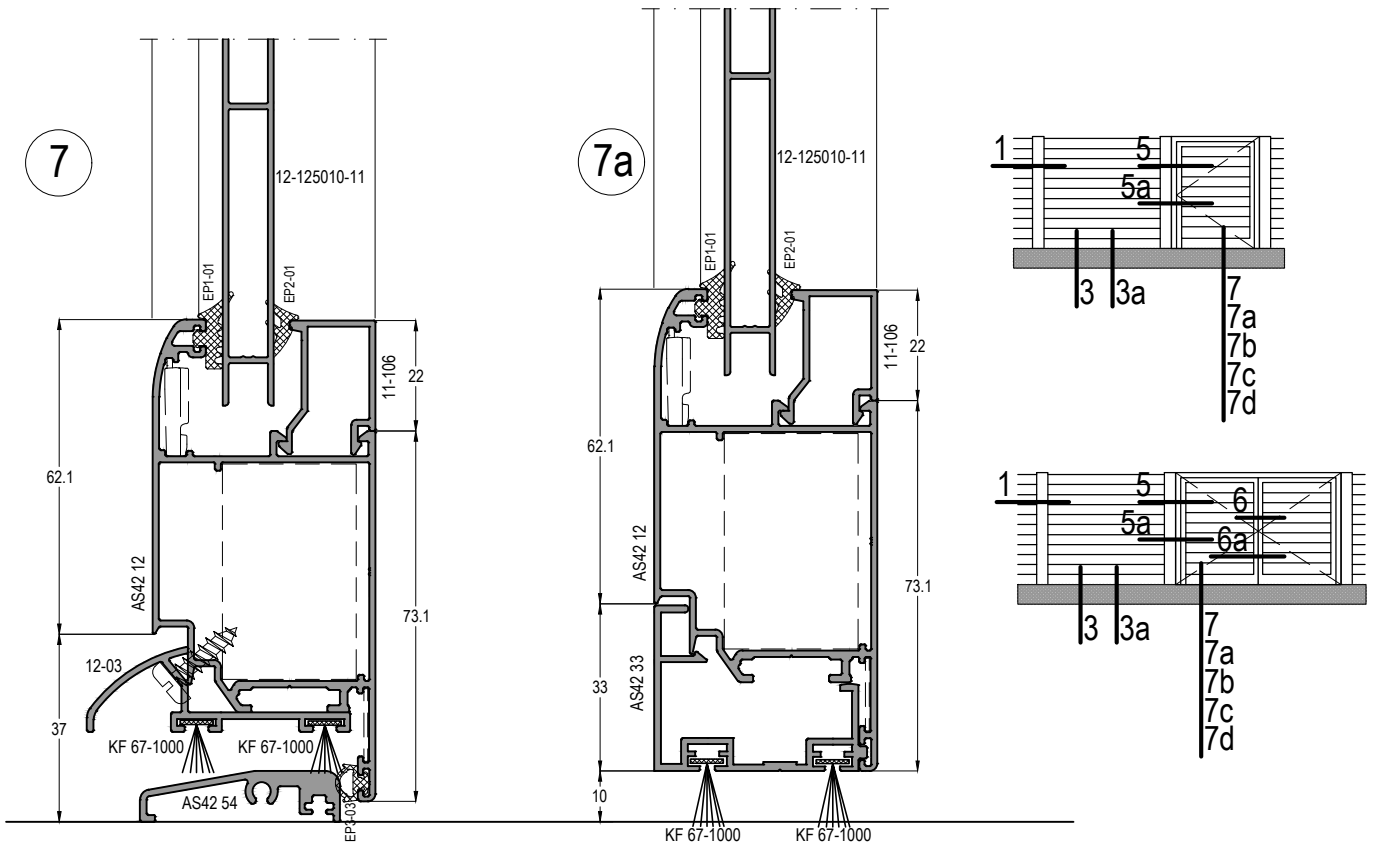
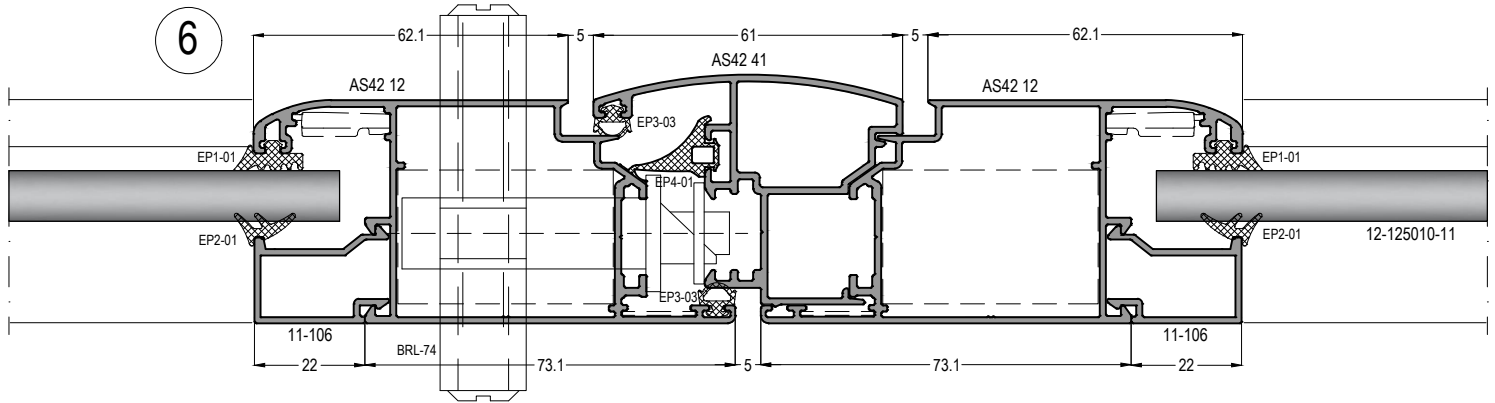
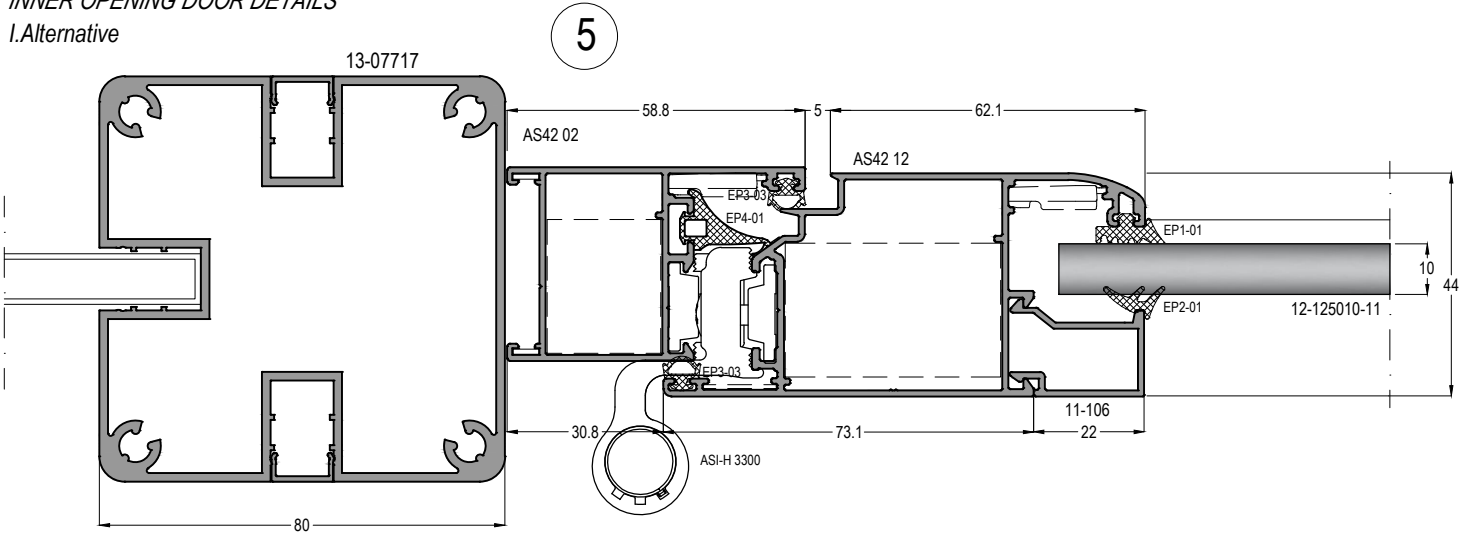
Profil ağırlıklarımız teorik olup; teslim anındaki tartımız geçerlidir.  
Profile weights are theoretical and the weight at the time of delivery is valid.



## İÇE AÇILIR KAPI DETAYLARI

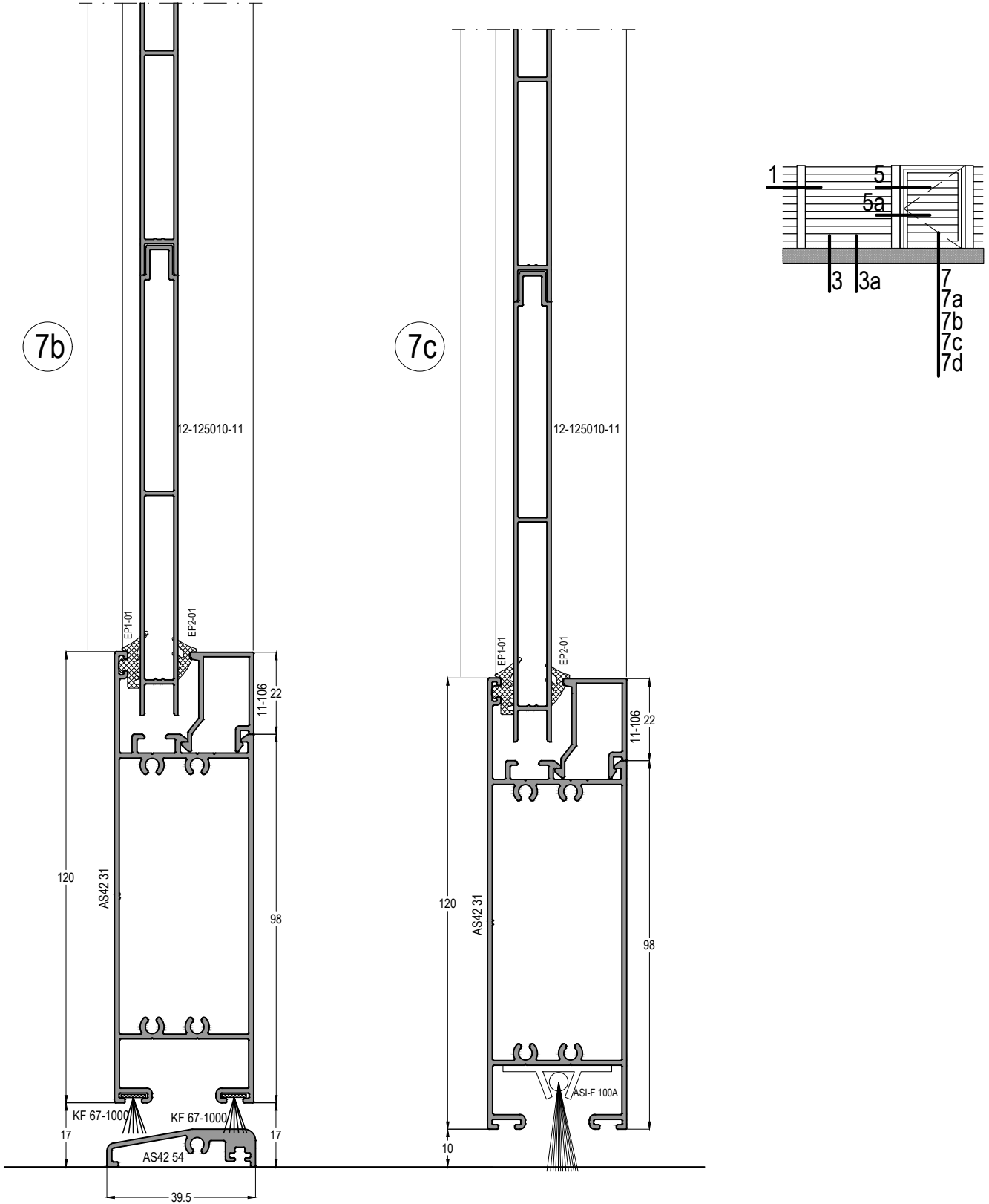
INNER OPENING DOOR DETAILS

I. Alternative



ö: 2/3

Profil ağırlıklarımız teorik olup; teslim anındaki tartımız geçerlidir.  
Profile weights are theoretical and the weight at the time of delivery is valid.

İÇE AÇILIR KAPI DETAYLARI  
INNER OPENING DOOR DETAILS

ö: 2/3

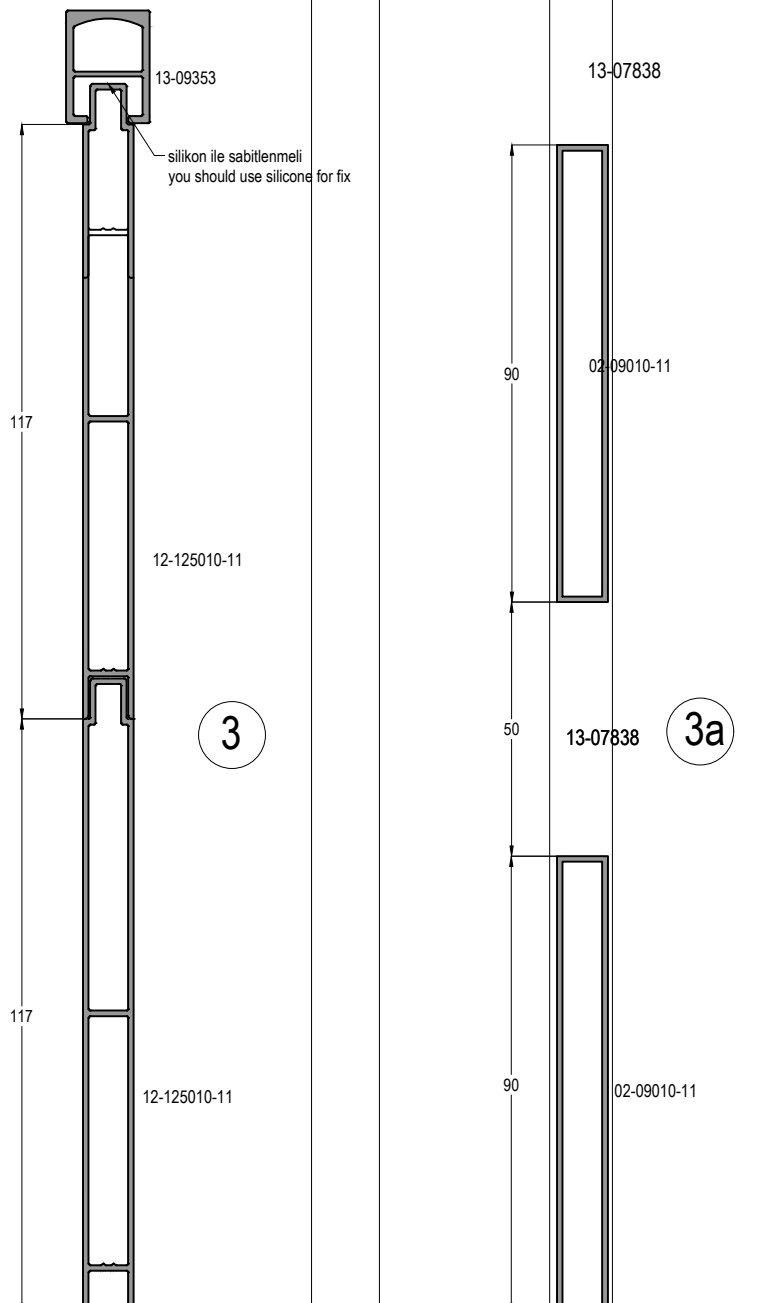
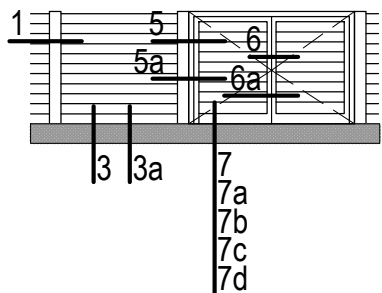
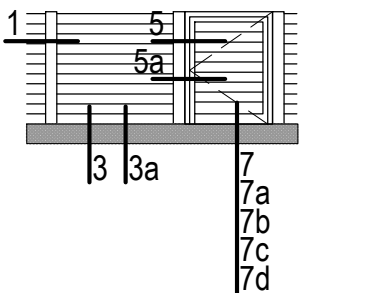
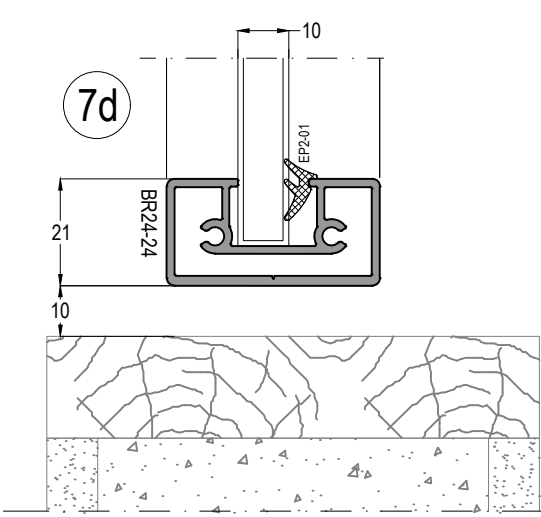
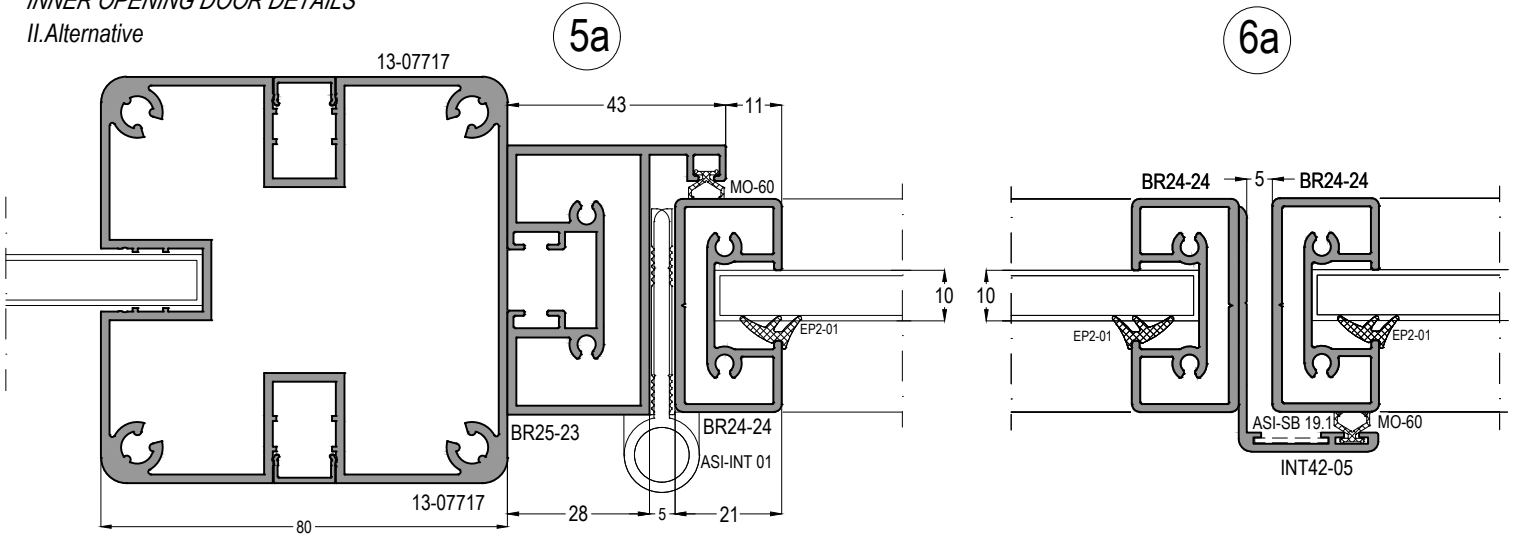
Profil ağırlıklarımız teorik olup, teslim anındaki tartımız geçerlidir.  
Profile weights are theoretical and the weight at the time of delivery is valid.



## İÇE AÇILIR KAPI DETAYLARI

INNER OPENING DOOR DETAILS

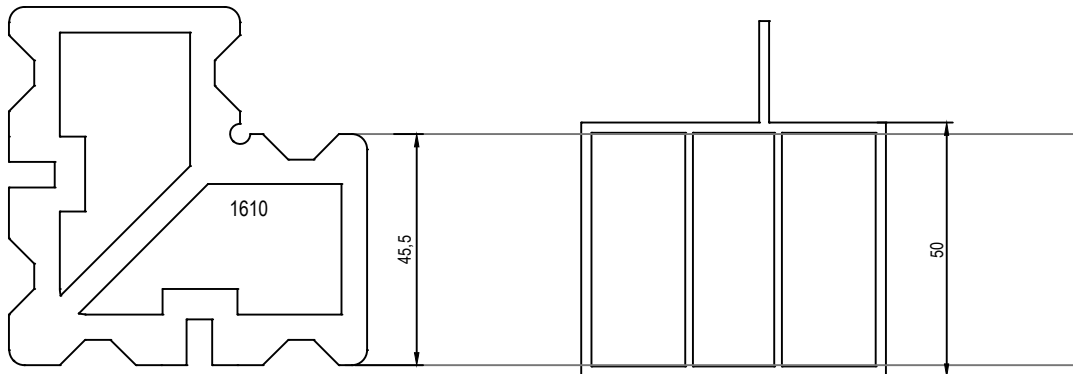
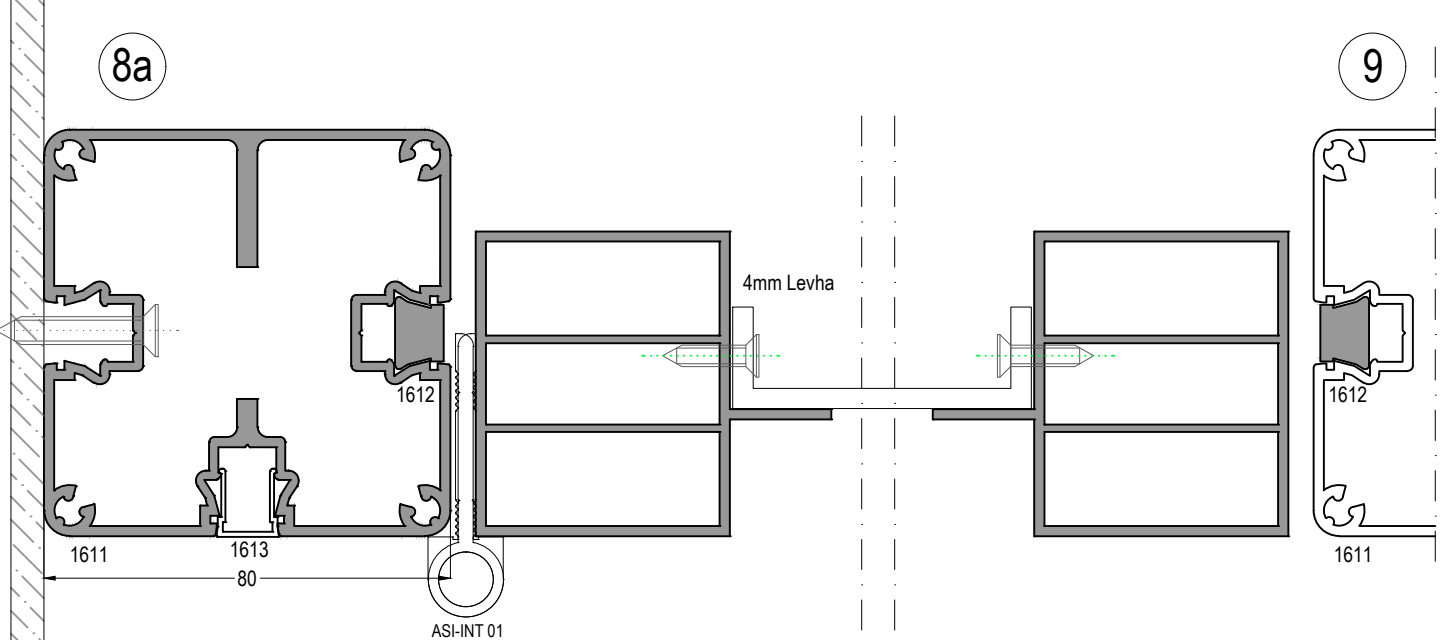
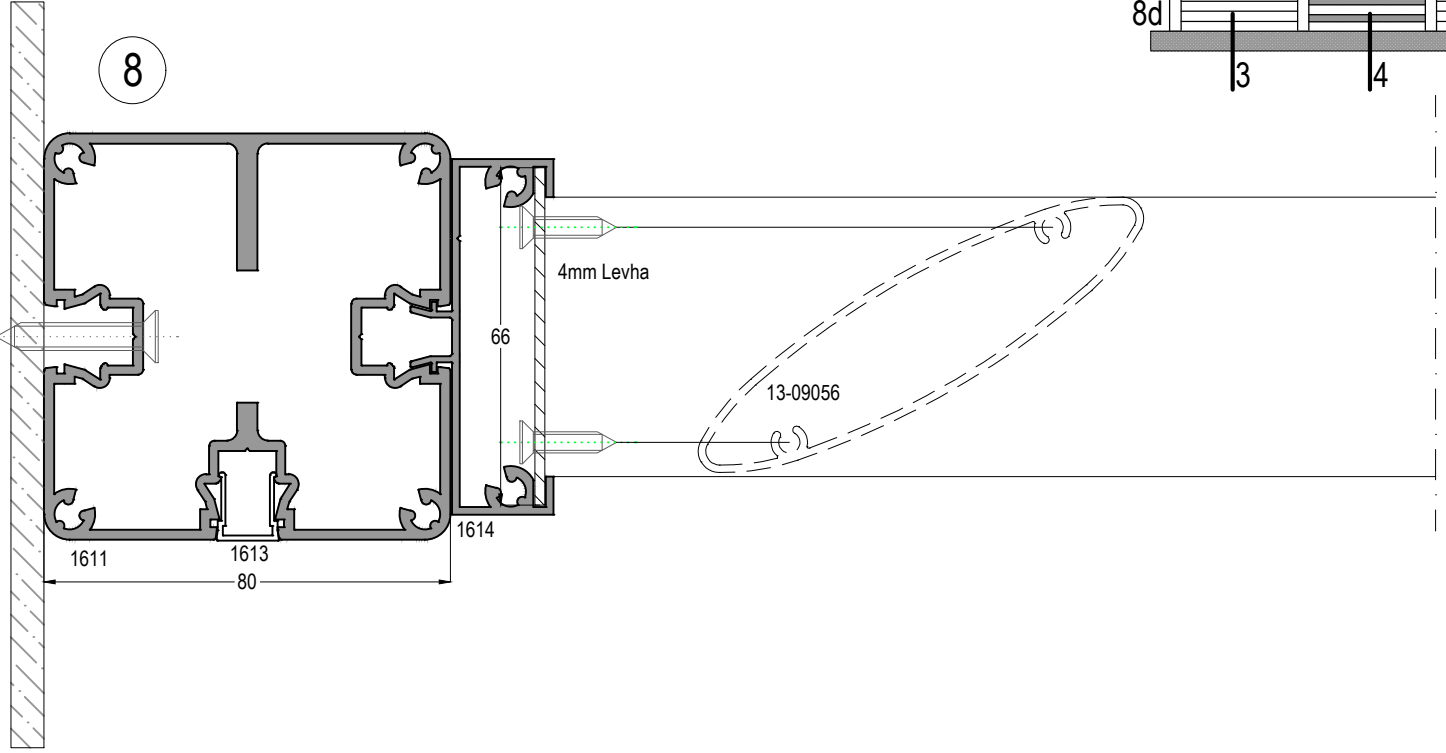
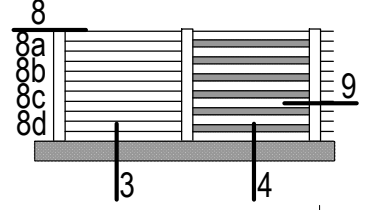
II. Alternative



## İÇE AÇILIR KAPI DETAYLARI

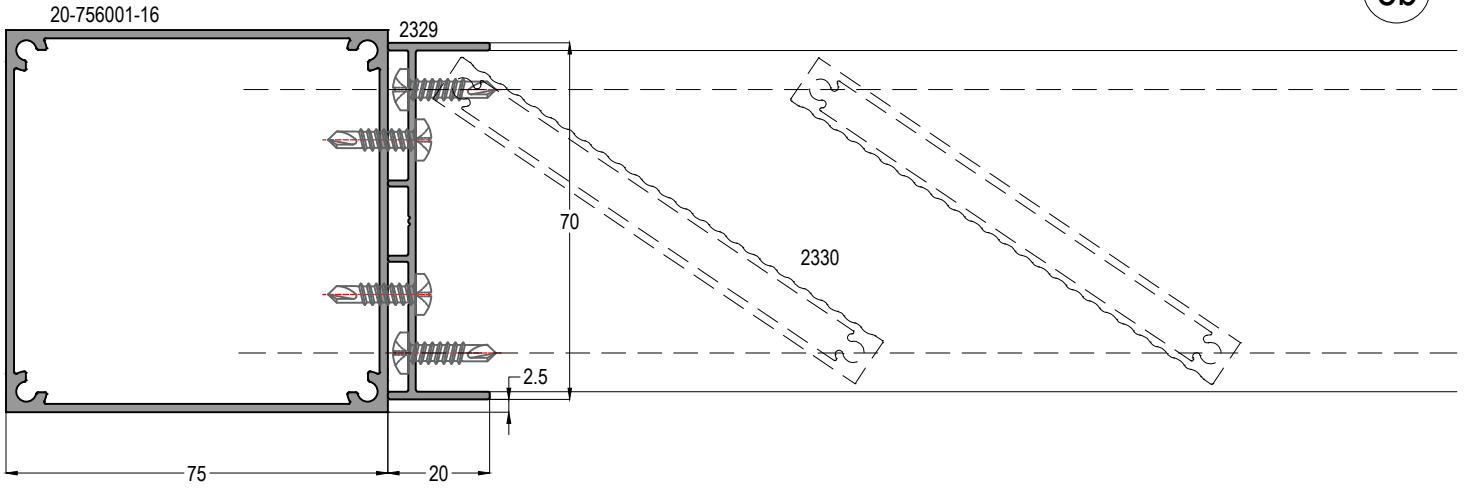
INNER OPENING DOOR DETAILS

II. Alternative

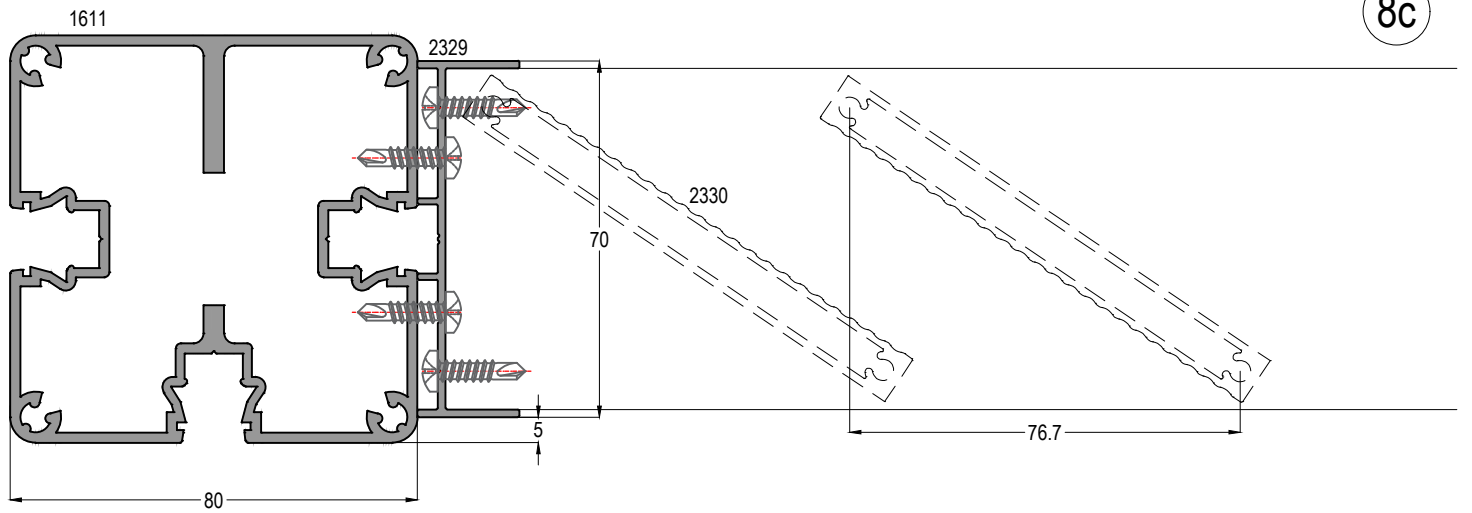




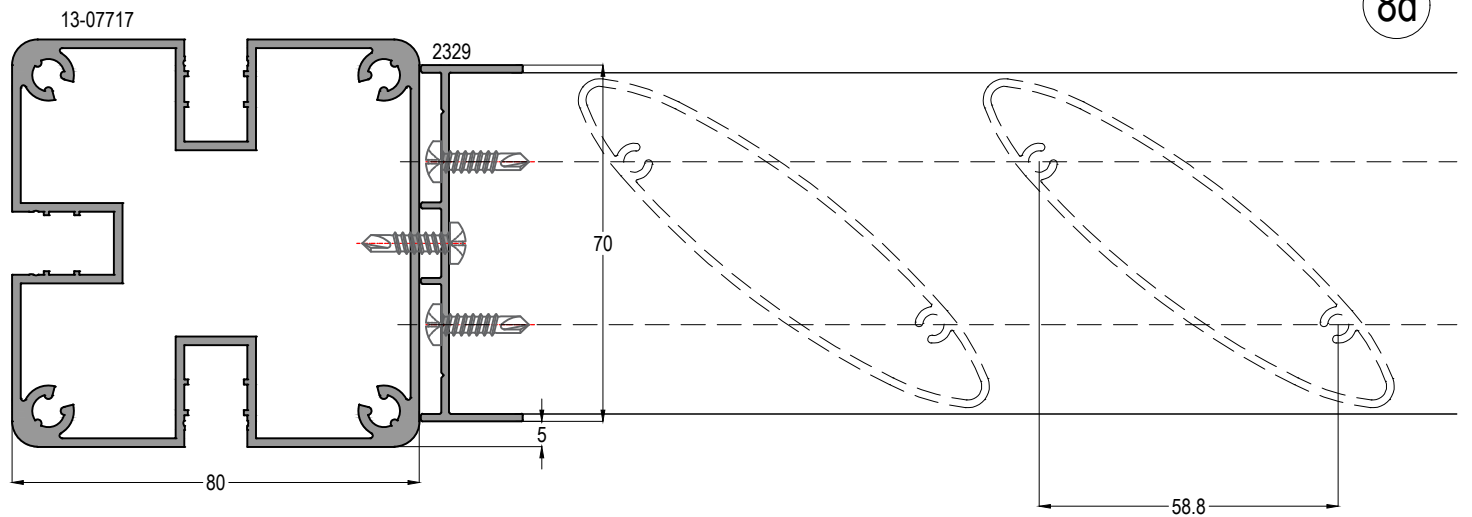
8b



8c



8d

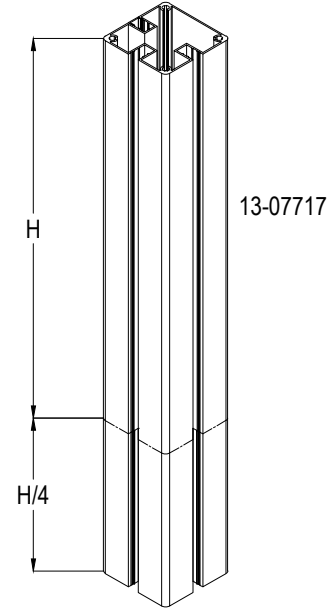


**KESİM VE MONTAJ**  
*CUTTING & ASSEMBLY*

# ALUFENS80

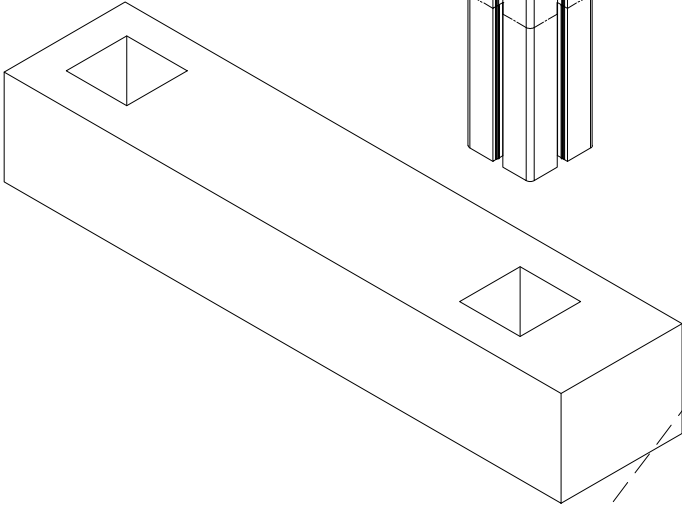
ÇİT SİSTEMİ  
FENCE SYSTEM

ASISTAL

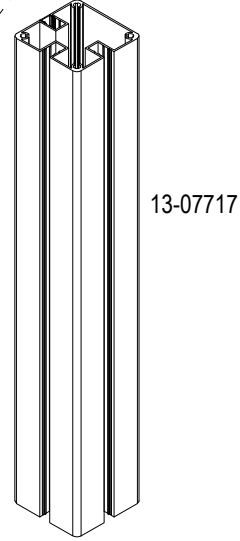


**MONTAJ 1: 13-07717 PROFİLİ BETONA GÖMÜLÜR YÜKSEKLİĞİNİN  $\frac{1}{4}$  KADAR MESAFE BETON İÇİNE GİRMELİDİR.**

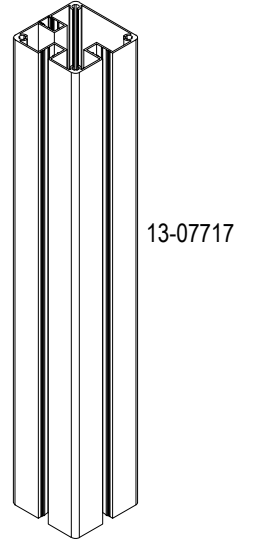
*ASSEMBLY 1: 13-07717 PROFILE IS EMBEDDED IN TO CONCRETE UP TO  $\frac{1}{4}$  HEIGHT.*



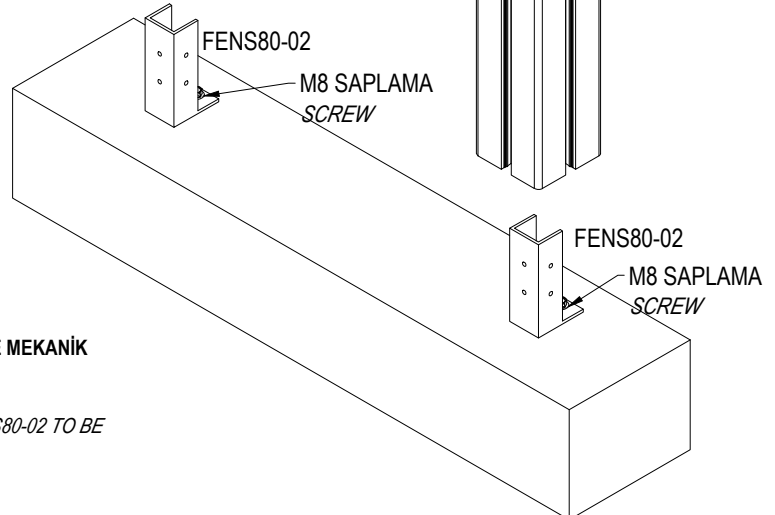
13-07717



13-07717



13-07717

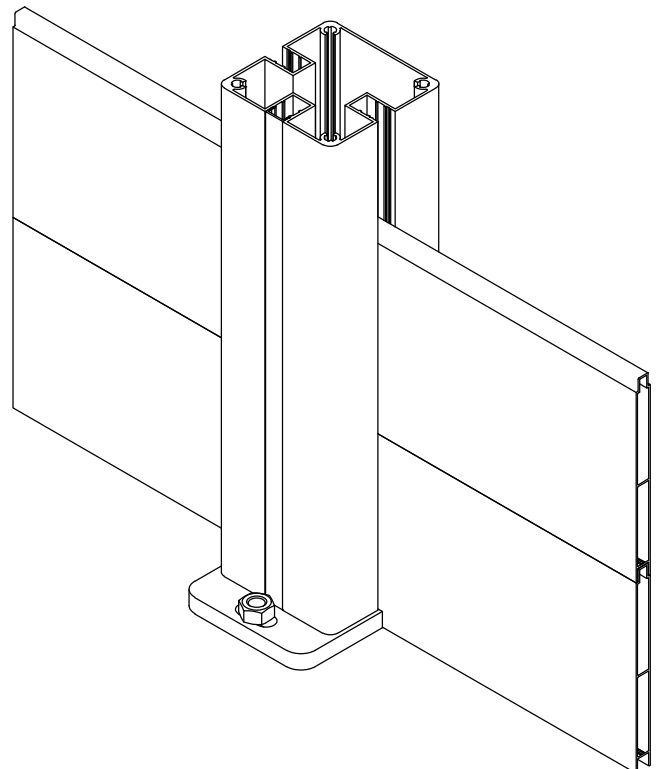
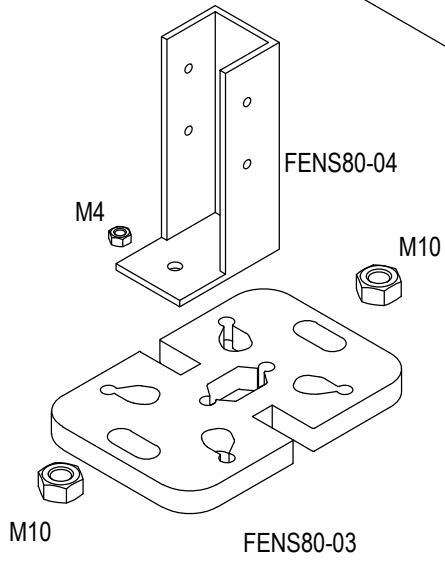
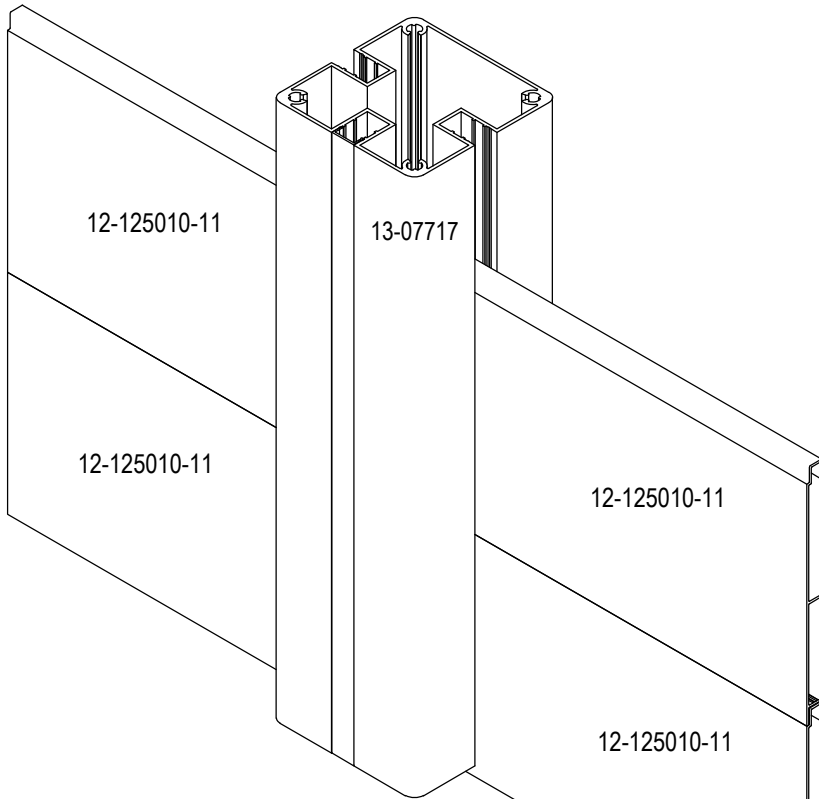


**MONTAJ 2: 13-07717 PROFİL, FENS80-02 ANKRAJİ İLE MEKANİK OLARAK MONTAJ YAPILIR.**

*ASSEMBLY 2: 13-07717 PROFILE IS FIXED WITH FENS80-02 TO BE MECHANICALY.*

# ALUFENS80

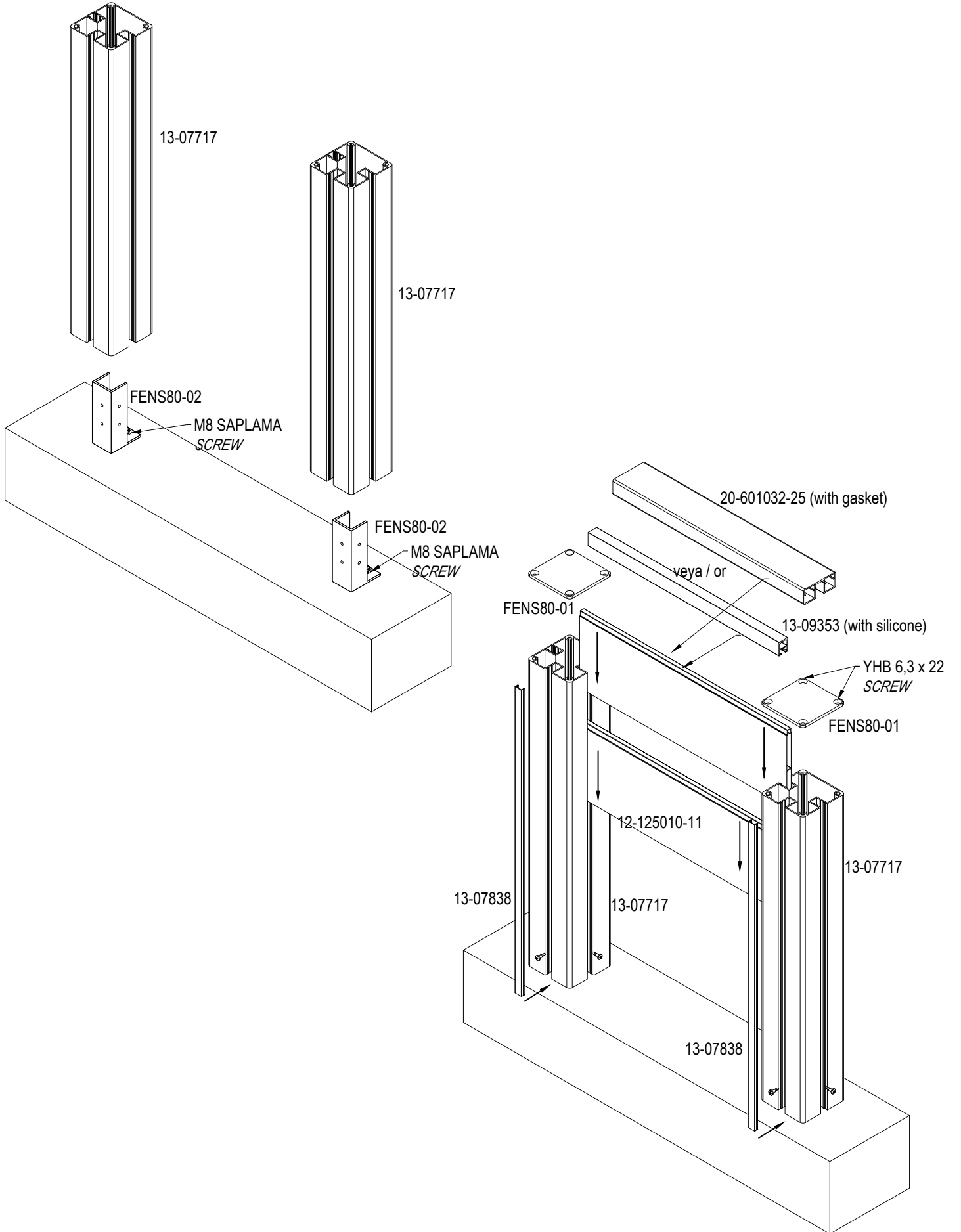
ÇİT SİSTEMİ  
FENCE SYSTEM





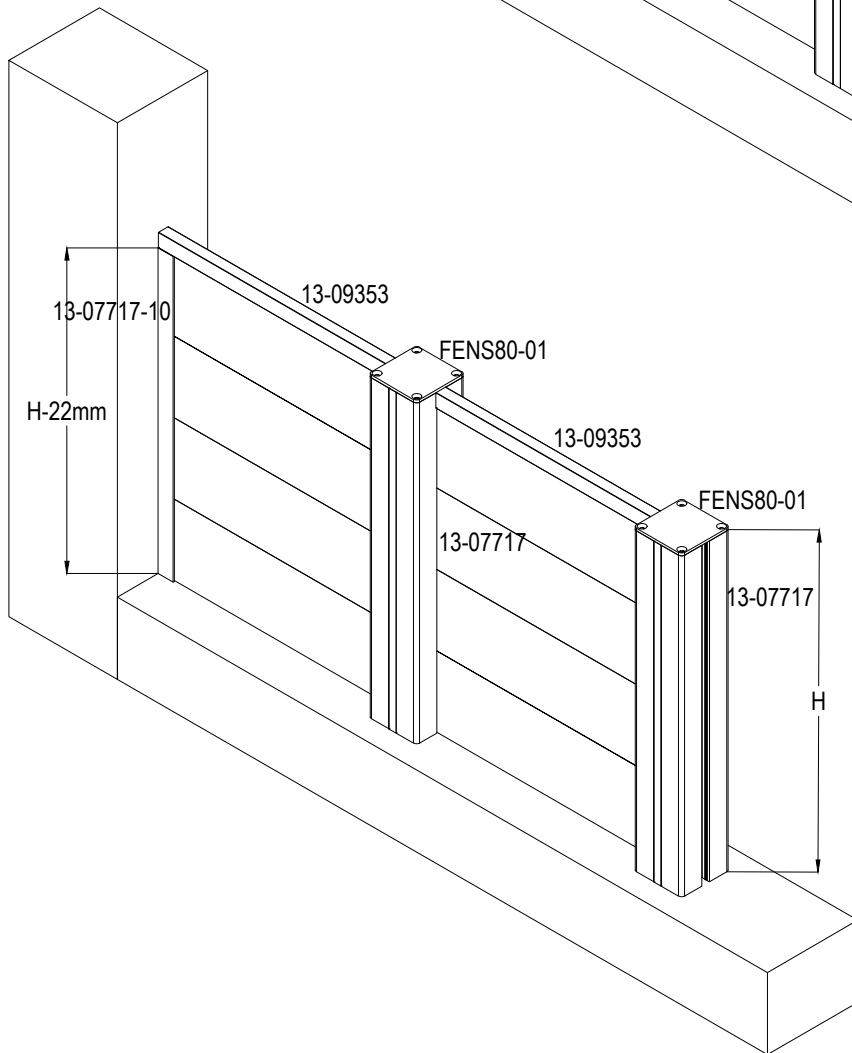
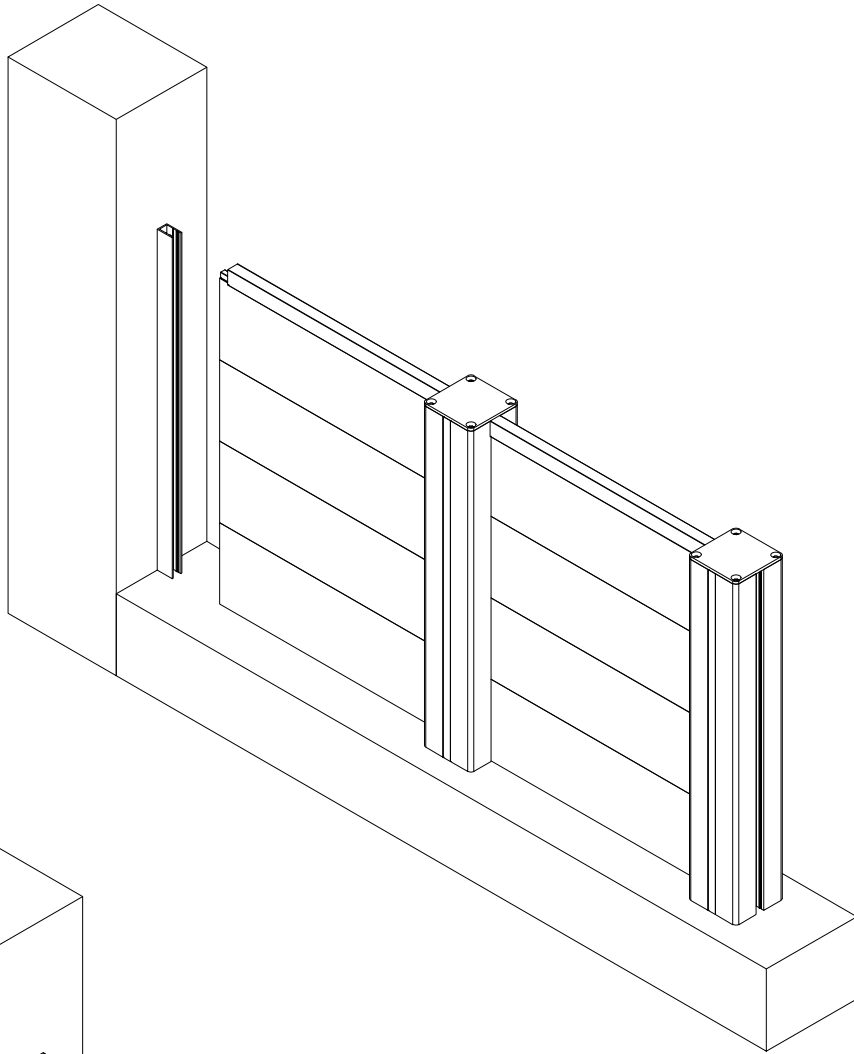
# ALUFENS80

ÇİT SİSTEMİ  
FENCE SYSTEM



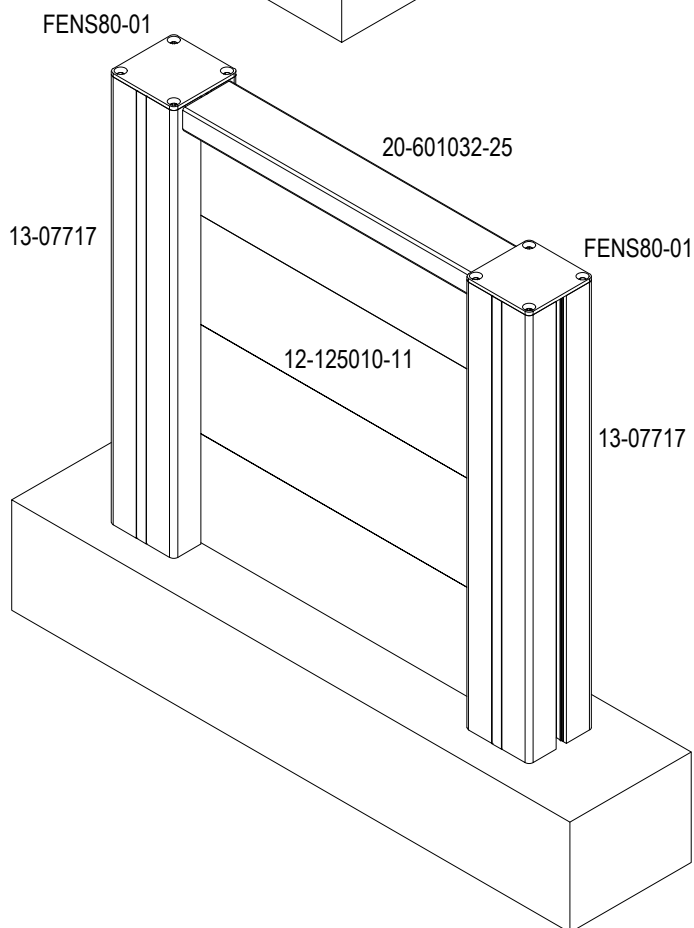
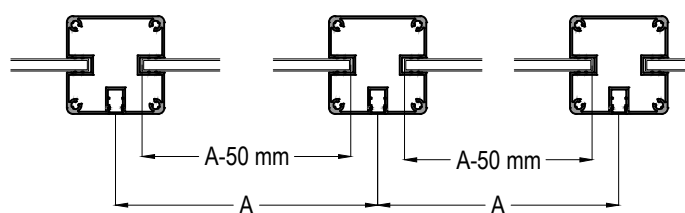
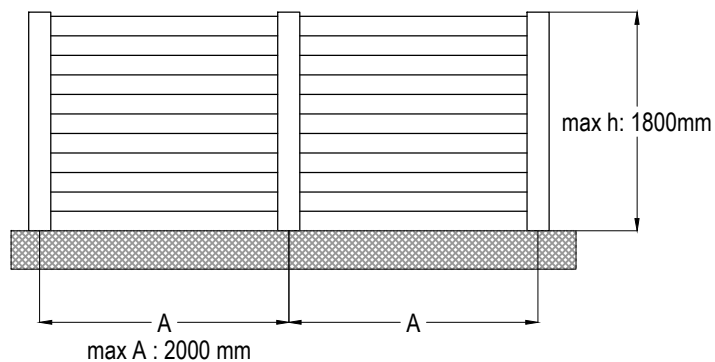
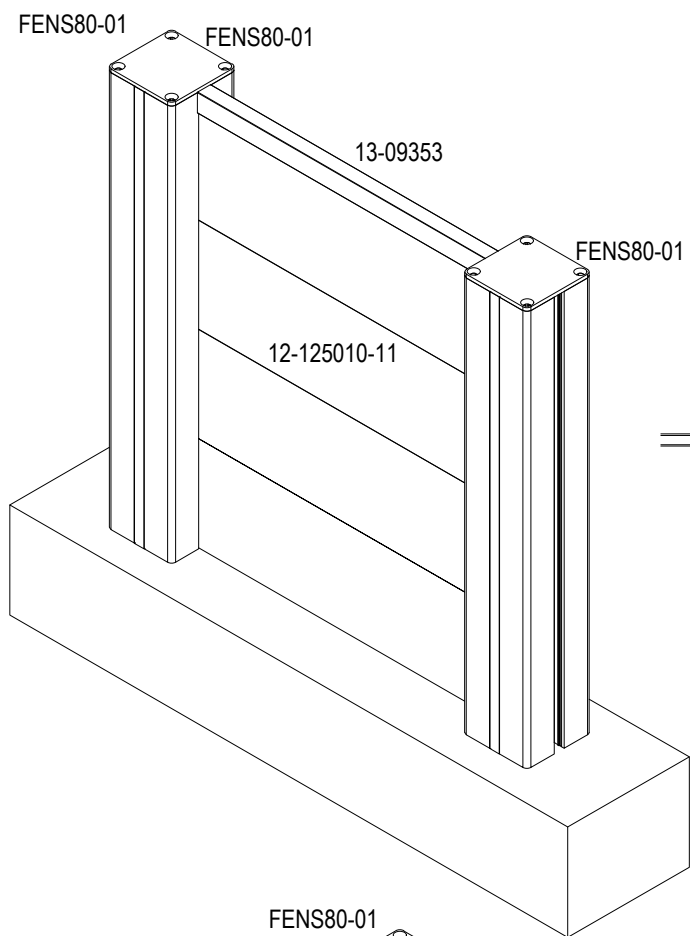
# ALUFENS80

ÇİT SİSTEMİ  
FENCE SYSTEM



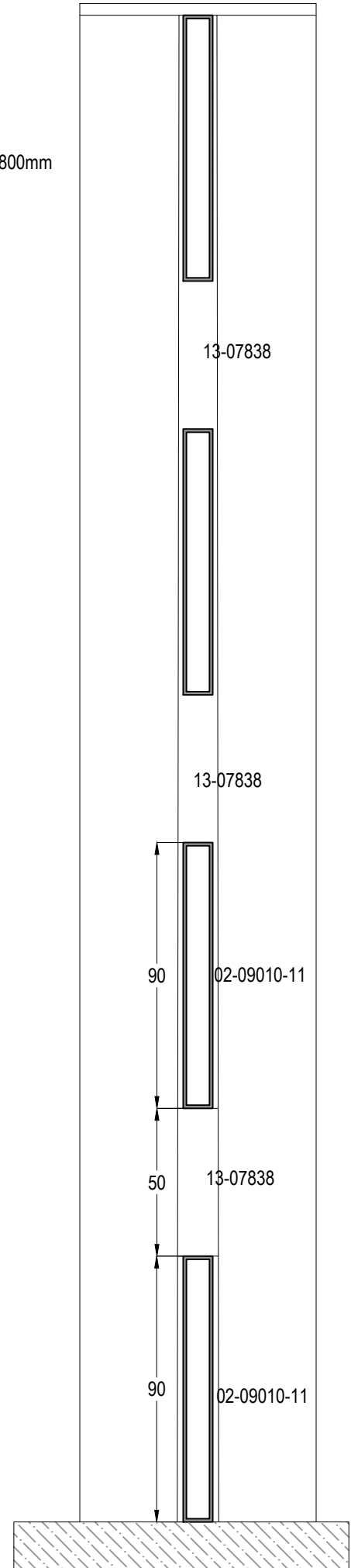
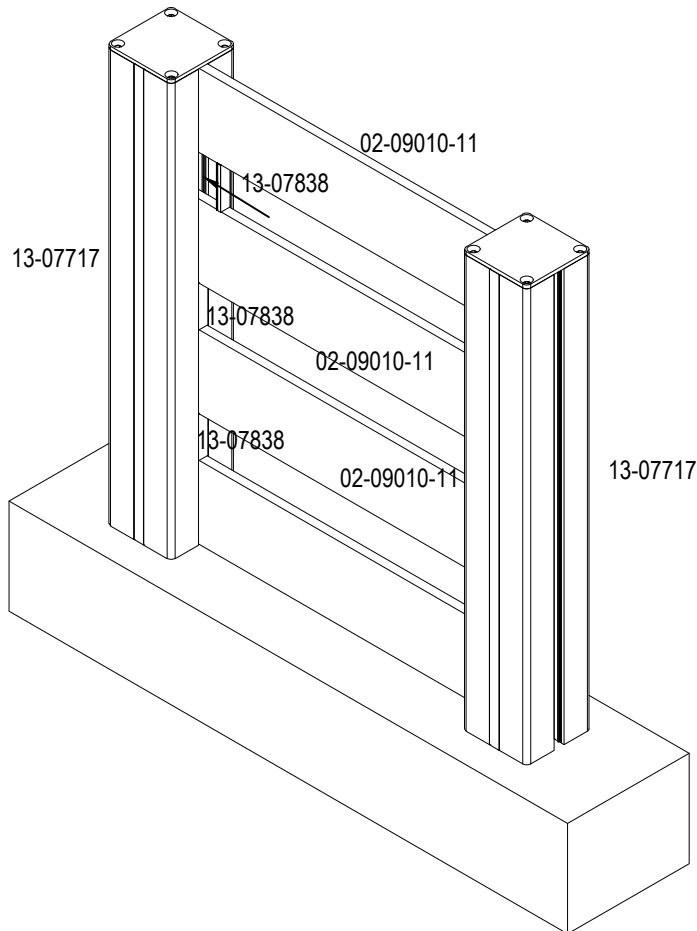
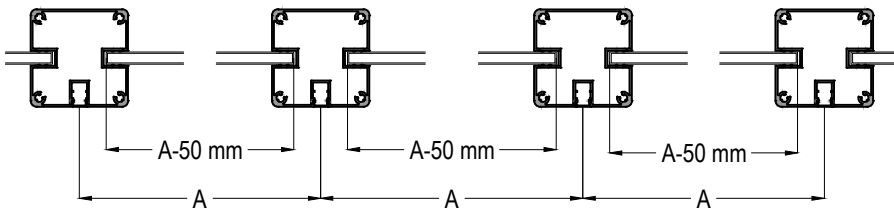
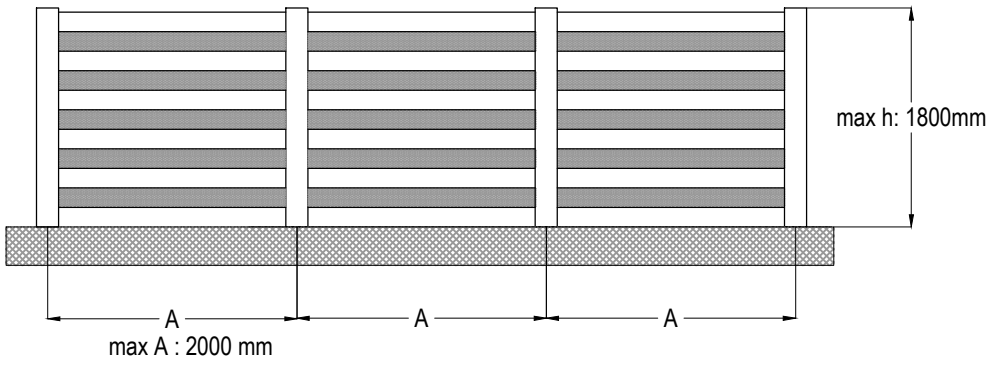
# ALUFENS80

ÇİT SİSTEMİ  
FENCE SYSTEM



# ALUFENS80

ÇIT SİSTEMİ  
FENCE SYSTEM

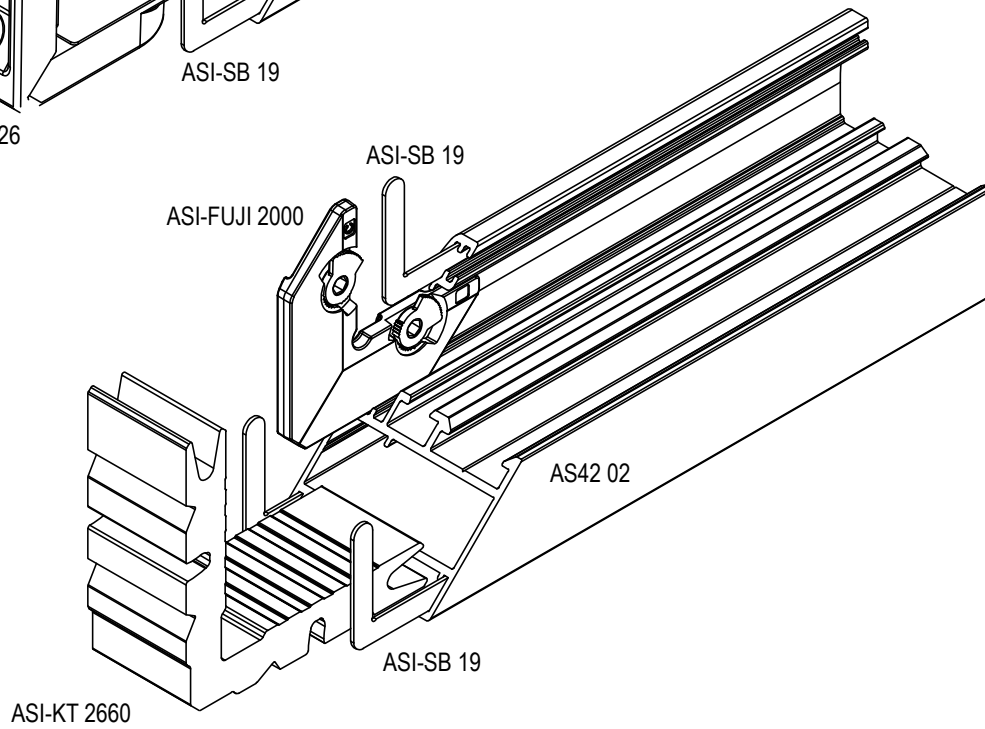
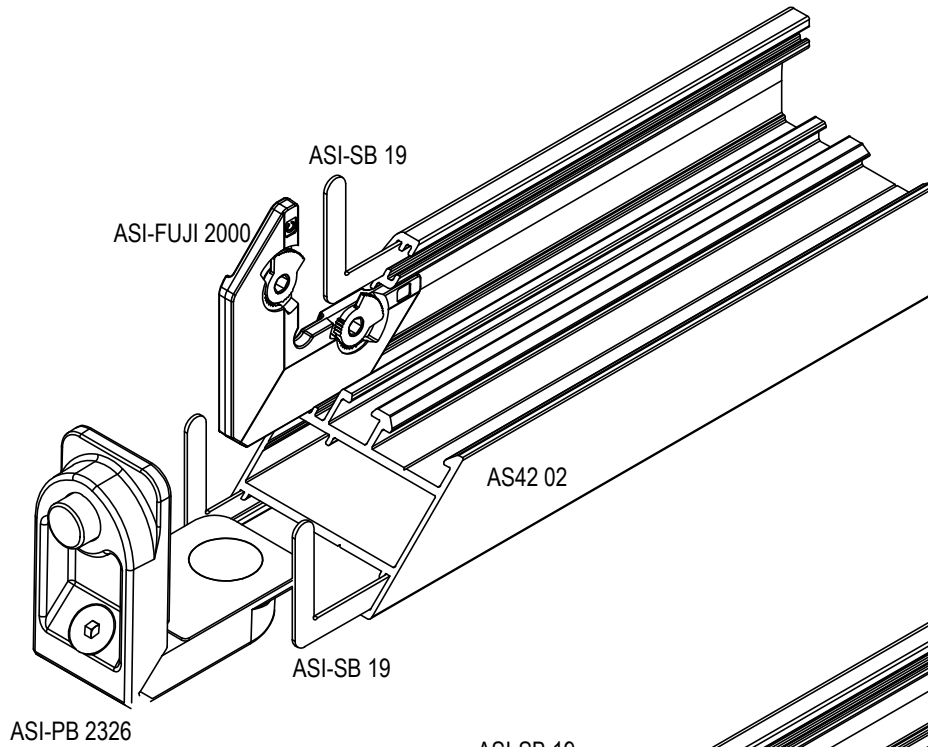
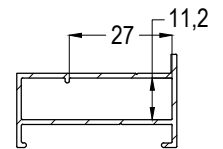
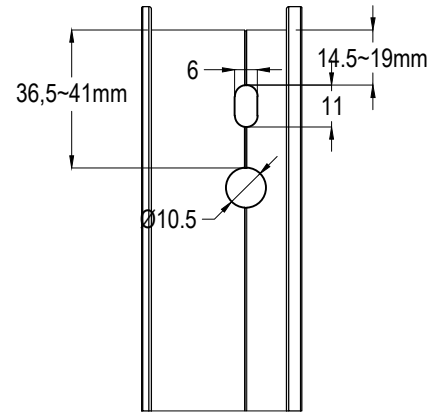
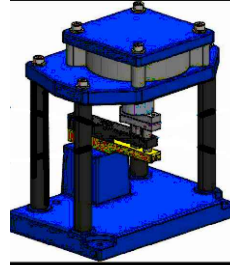


# ALUFENS80

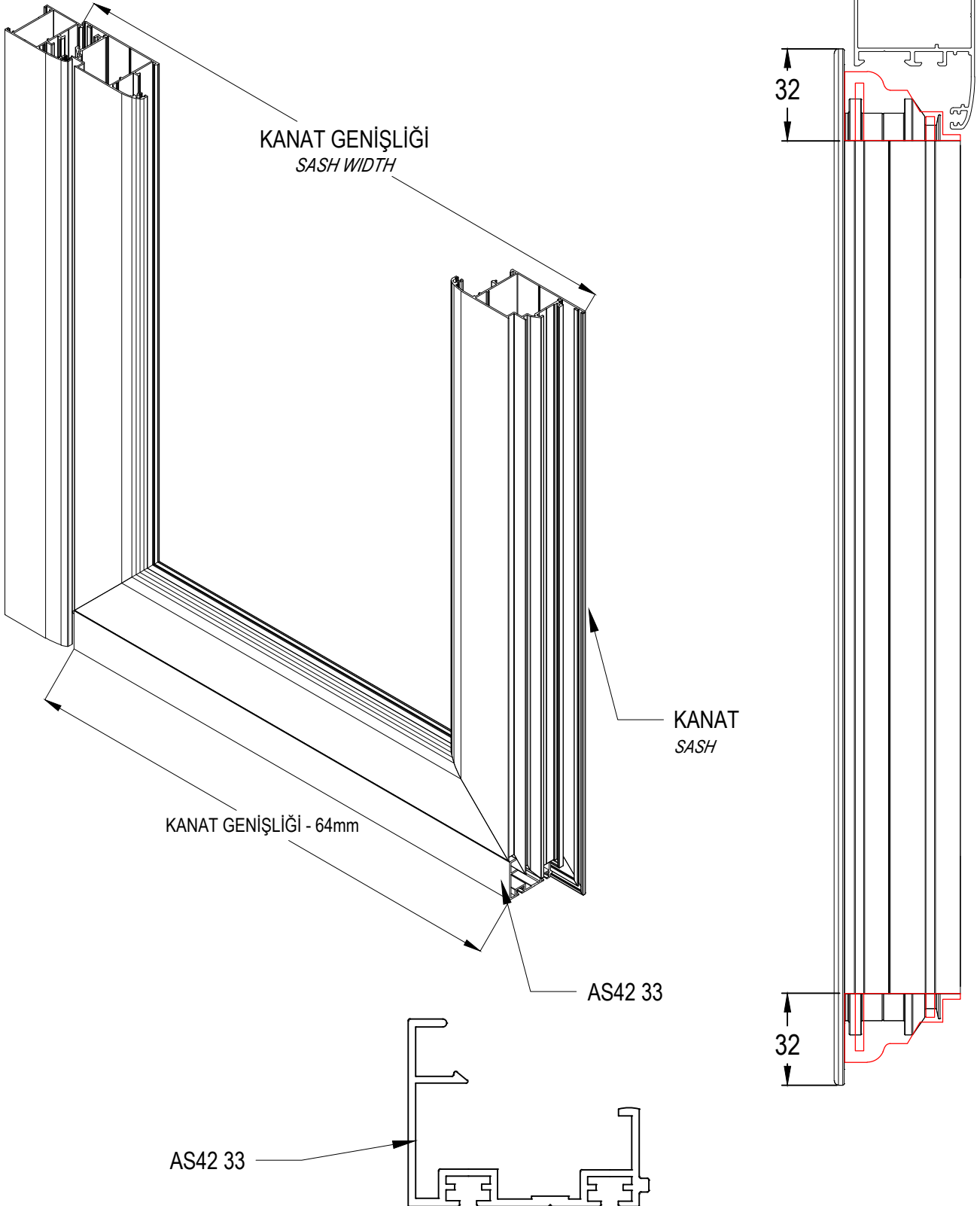
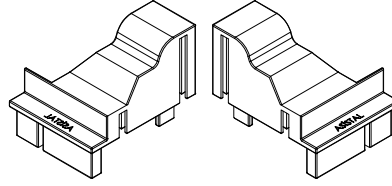
ÇİT SİSTEMİ  
FENCE SYSTEM



501 EKO PANÇ

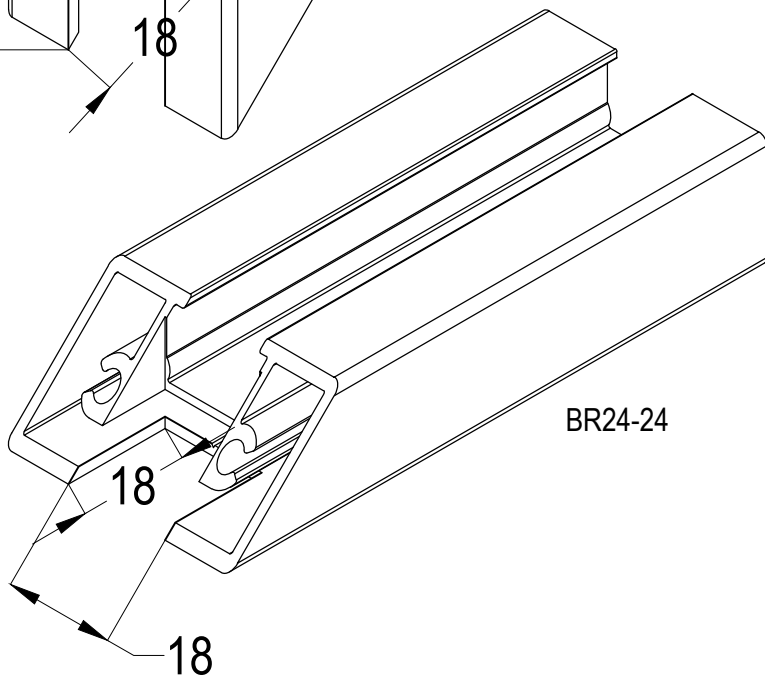
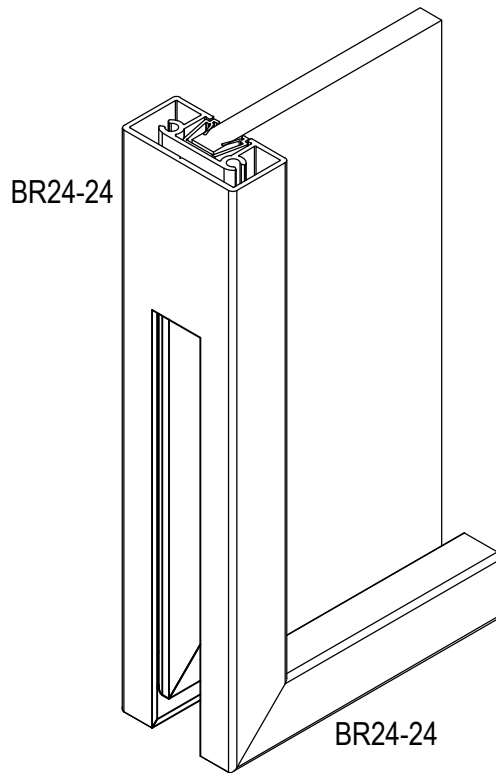
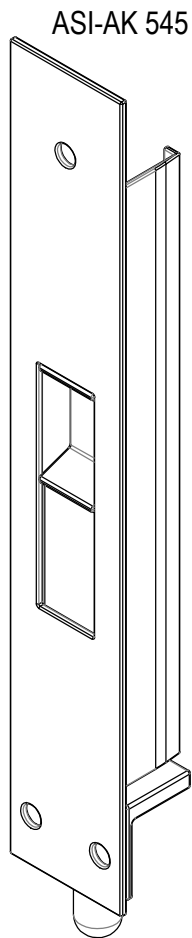
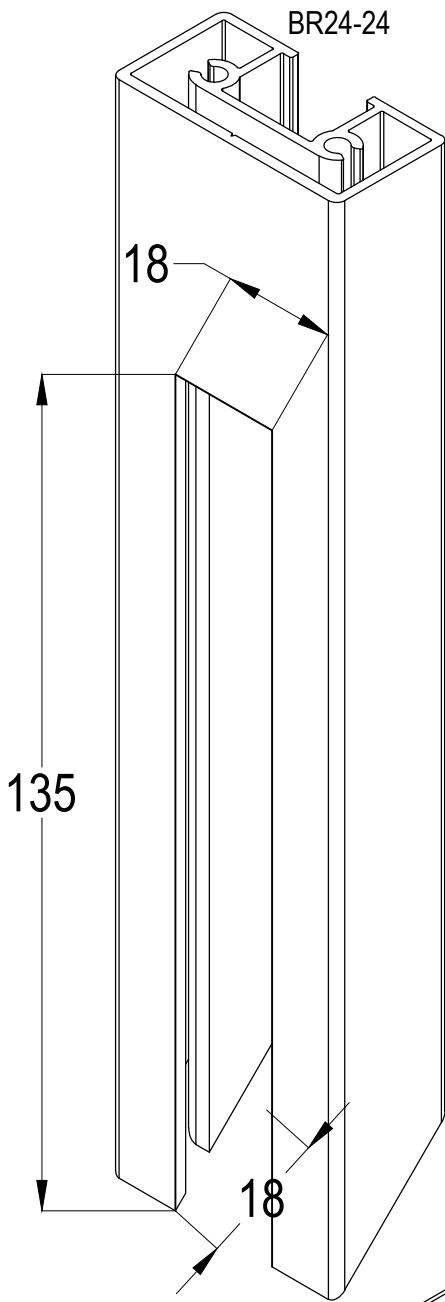


AS42 CAP - AS42 33 PROFİLİ İÇİN *For AS42 33 profile*



# ALUFENS80

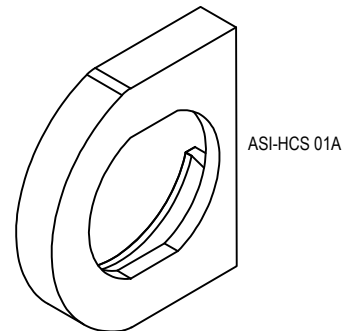
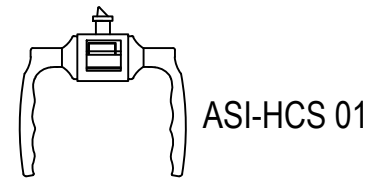
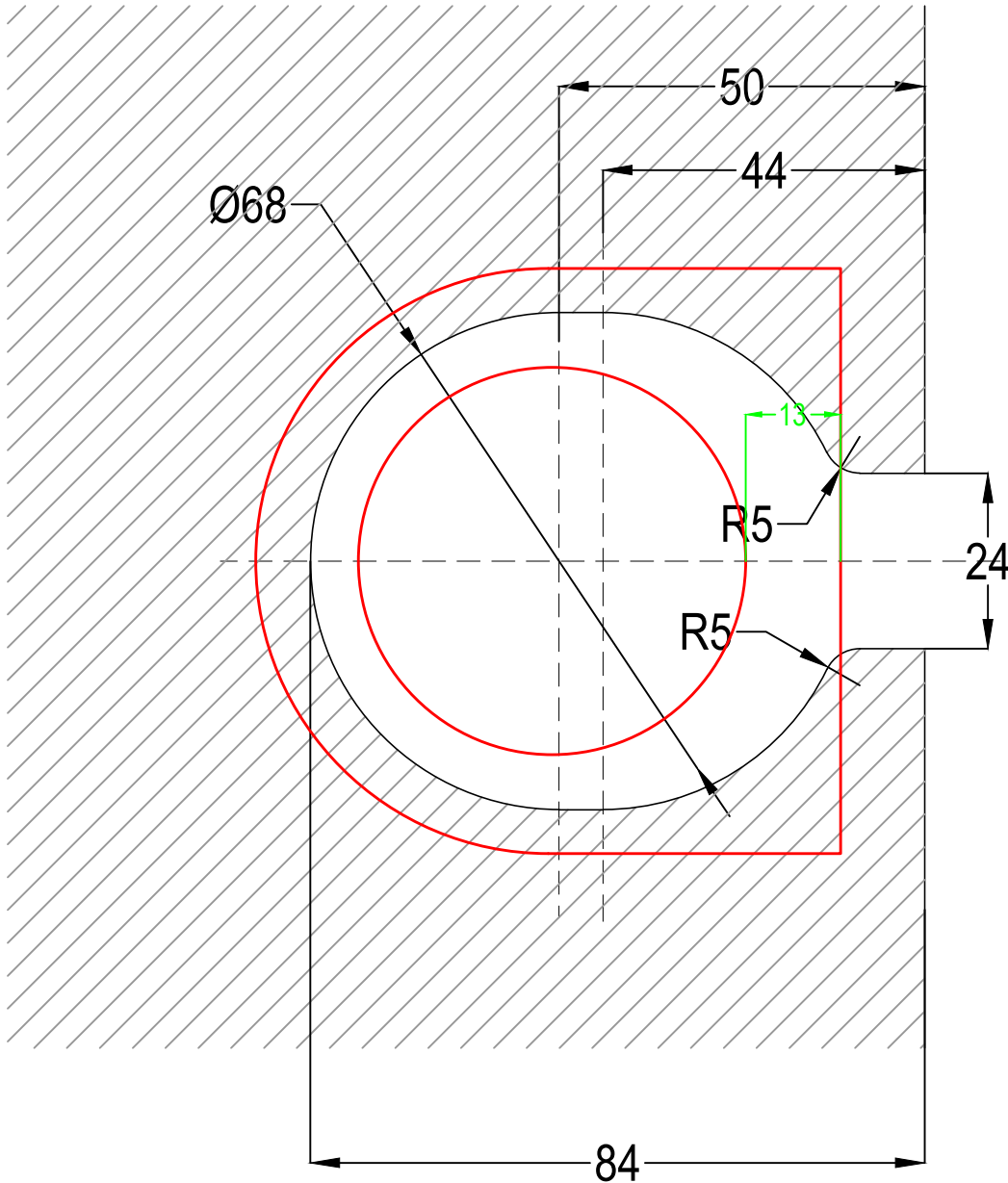
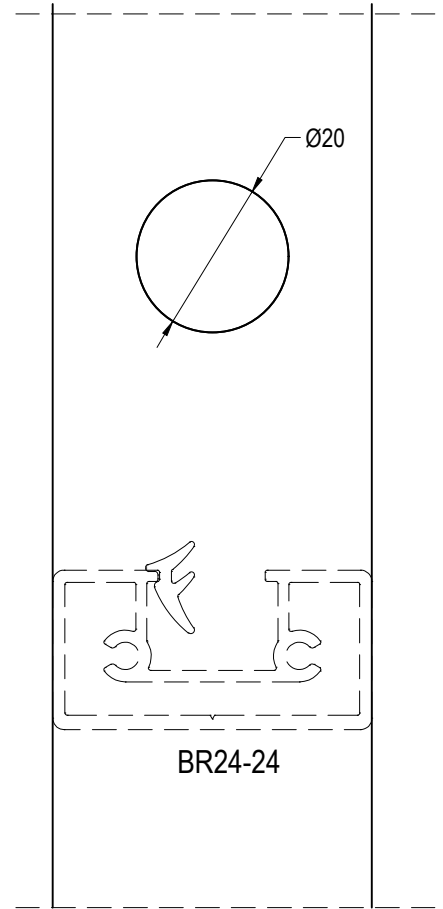
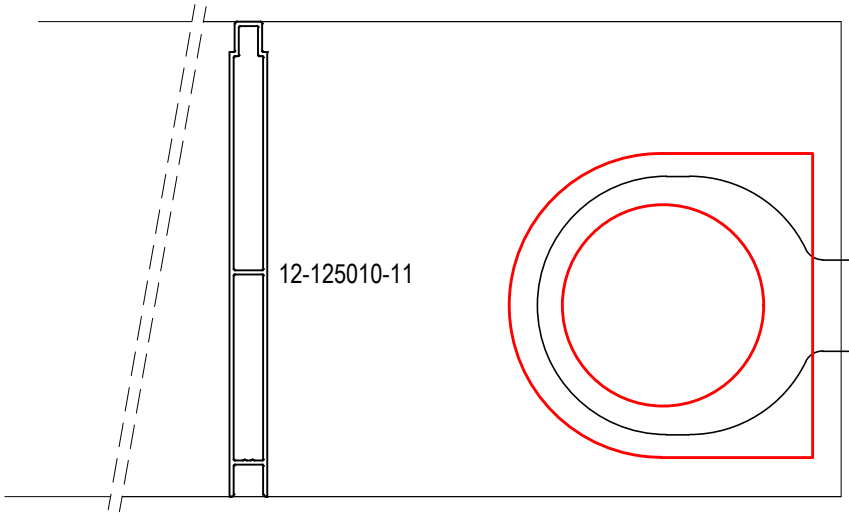
ÇİT SİSTEMİ  
FENCE SYSTEM



# ALUFENS80

ÇİT SİSTEMİ  
FENCE SYSTEM

ASISTAL



ASI-HCS 01A  
CAMA VEYA LAMBRI MONTAJINDA  
YAPIŞTIRICI  
KULLANILMASI ÖNERİLİR  
WE ADVICE TO USE GLUE ON  
ASSEMBLY FOR ASI-HCS 01 A AND  
GLASS SHUTTER DOOR