

TH62 - THS62

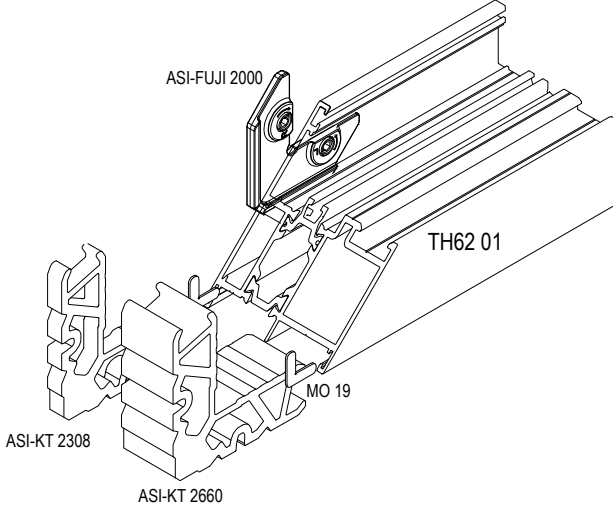
YALITIMLI KAPI-PENCERE SİSTEMİ
THERMAL WINDOW&DOOR SYSTEM

ASISTAL

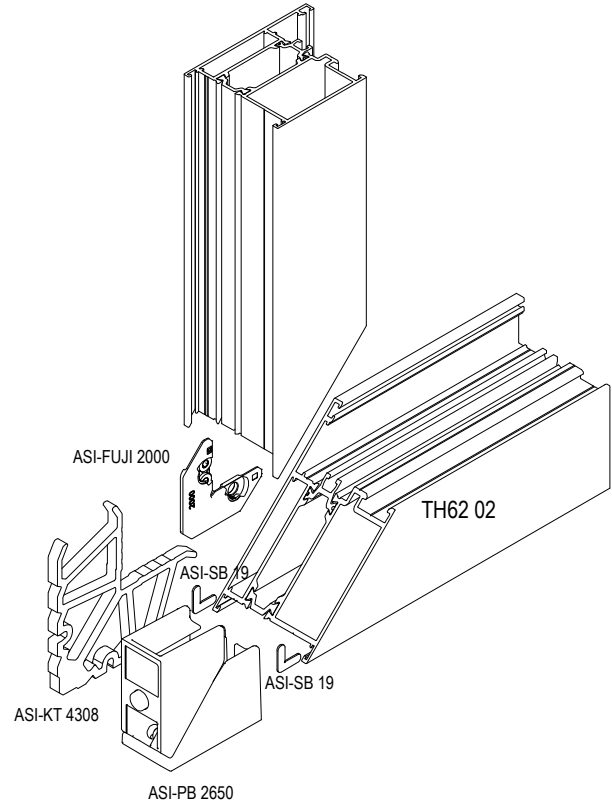
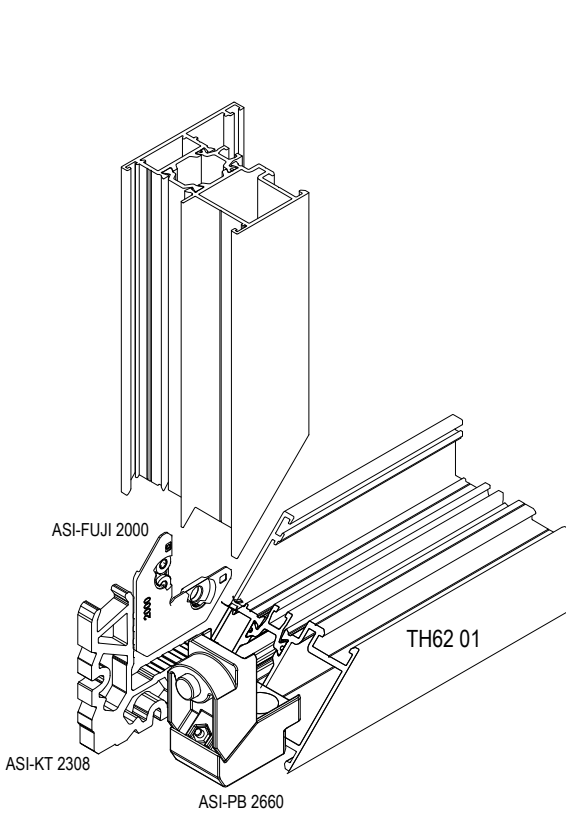
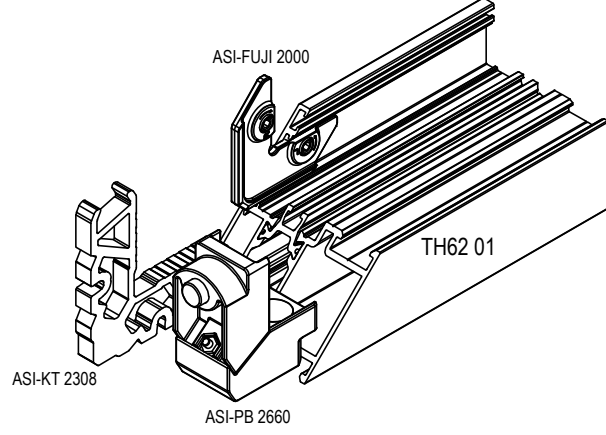
KESİM ve MONTAJ
CUTTING & ASSEMBLY

KÖŞE BAĞLANTI DETAYLARI CORNER JOINT DETAILS

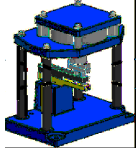
ÖNERİ : 1



ÖNERİ : 2



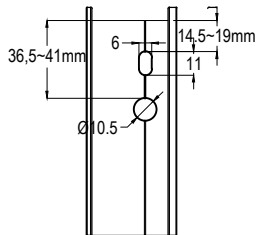
501 EKO PANC



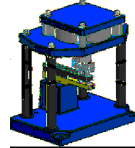
ASI-PB 2660

KULLANILAN PROFİLLER PROFILES USED

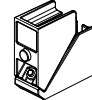
TH62 01	THS62 14
TH62 03	TH62 201
TH62 04	TH62 222
TH62 21	TH62 214
TH62 22	TH62 211
TH62 11	TH62 161
TH62 18	TH62 162
TH62 14	TH62 163
THS62 11	TH62 46



501 EKO PANC

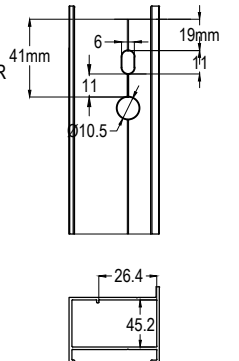


Monticelli
ASI-PB 2650



KULLANILAN PROFİLLER PROFILES USED

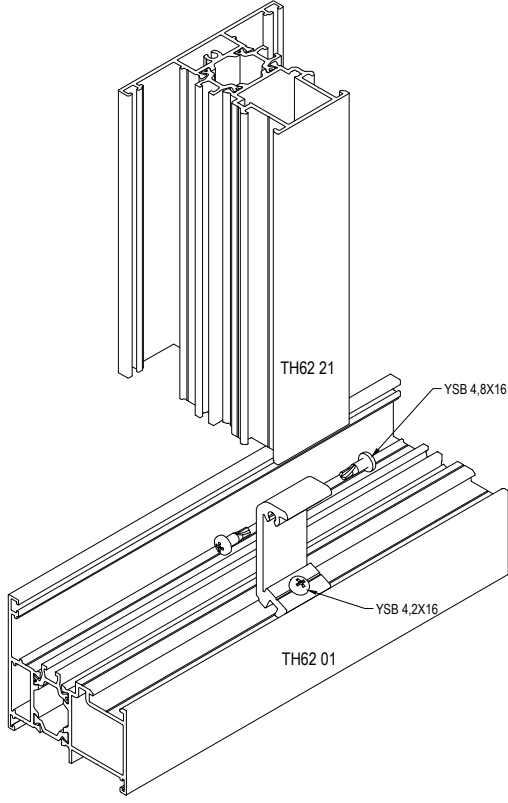
TH62 02
TH62 23
TH62 12
TH62 13
TH62 15
TH62 16
TH62 12
THS62 13
THS62 15
THS62 16
TH62 212
TH62 213



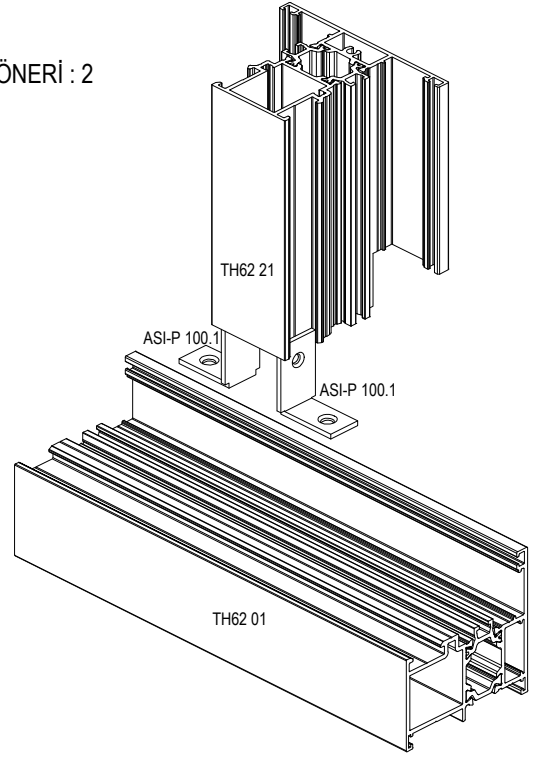
DİK (ORTA KAYIT) BAĞLANTI DETAYLARI

T JOINT DETAILS

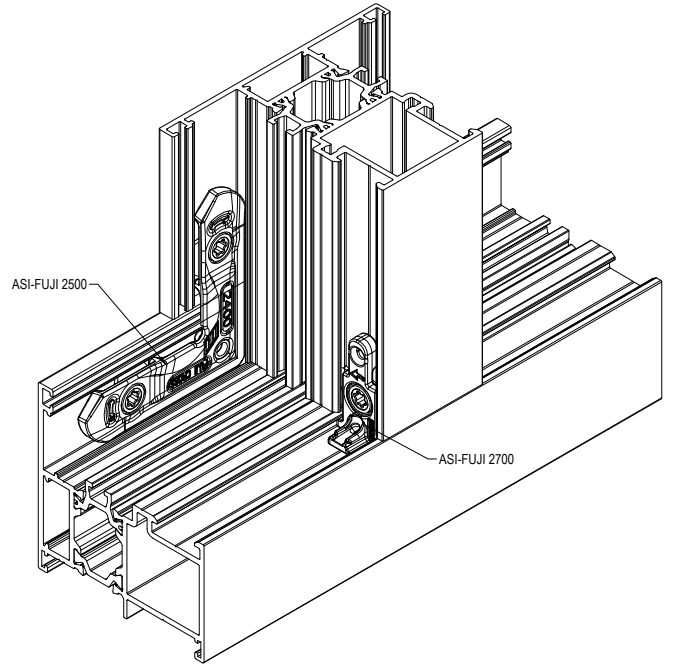
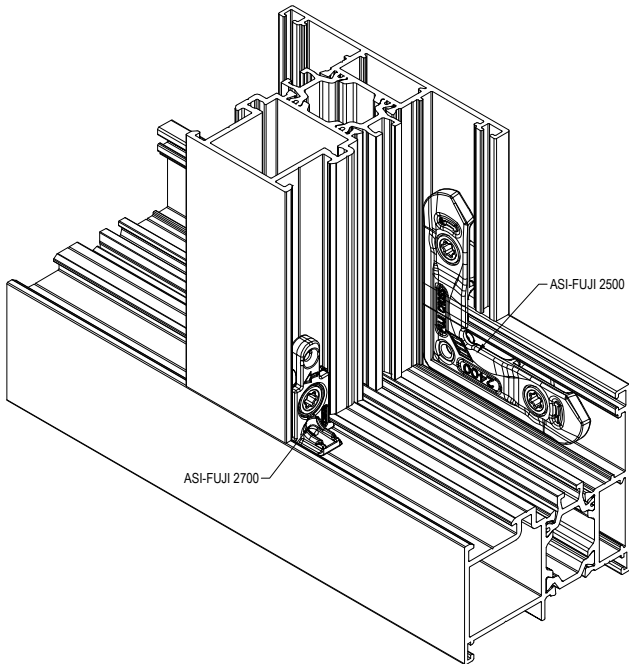
ÖNERİ : 1



ÖNERİ : 2



ÖNERİ : 3

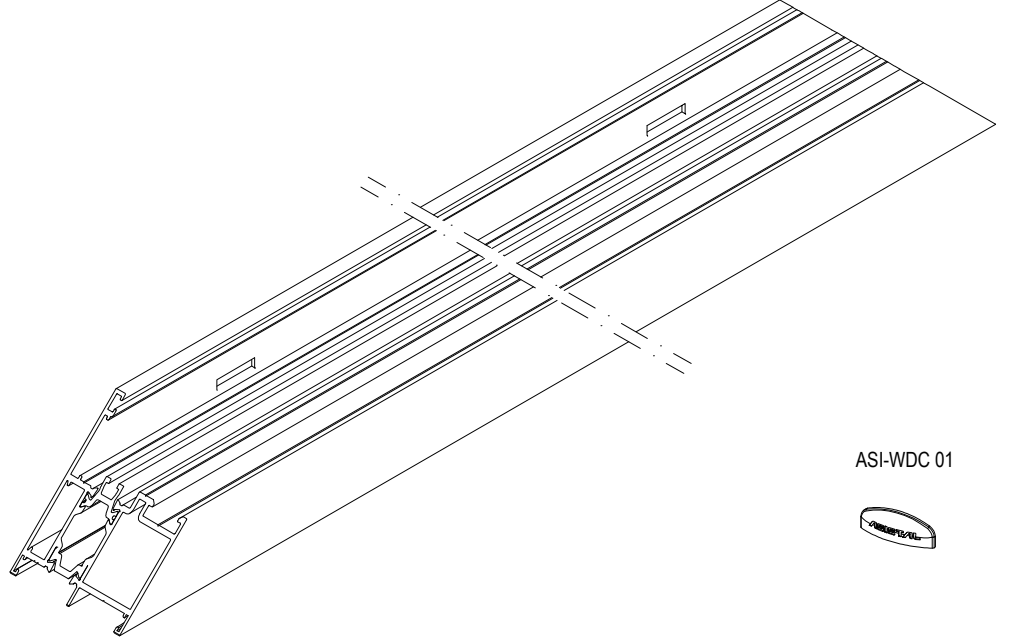
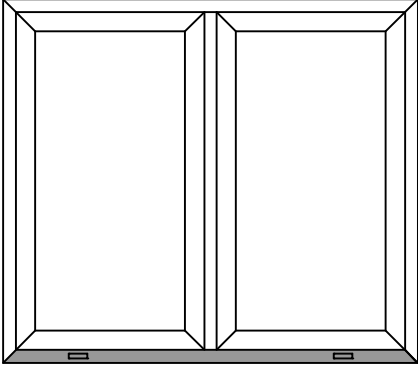


TH62 - THS62

YALITIMLI KAPI-PENCERE SİSTEMİ
THERMAL WINDOW&DOOR SYSTEM

ASISTAL

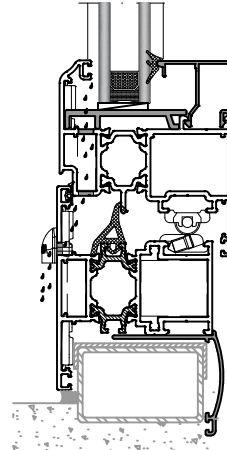
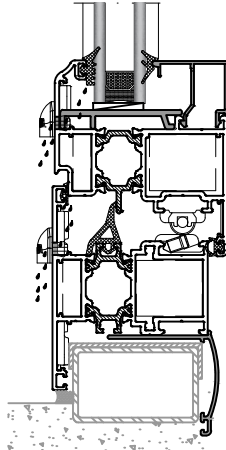
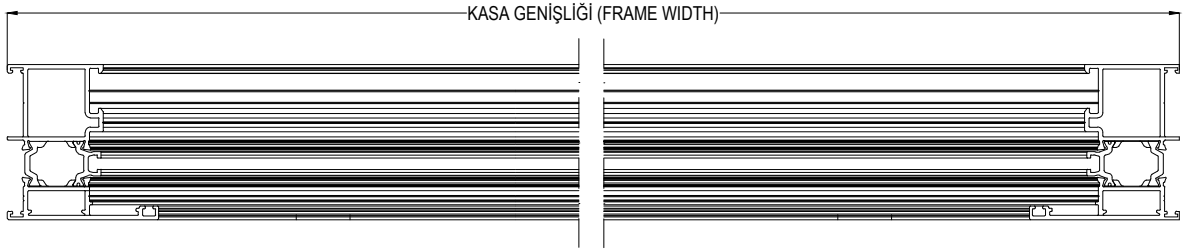
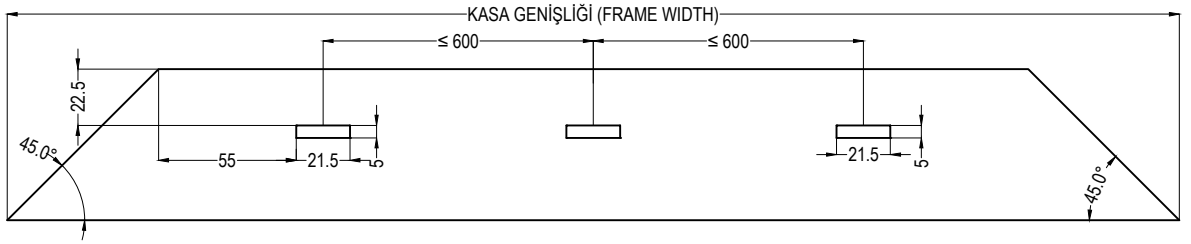
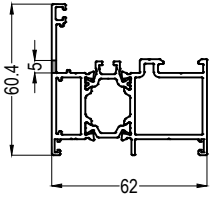
SU TAHLİYE DELİK İŞLEMLERİ WATER DRAINAGE HOLE OPERATIONS



ASI-WDC 01



TH62 01

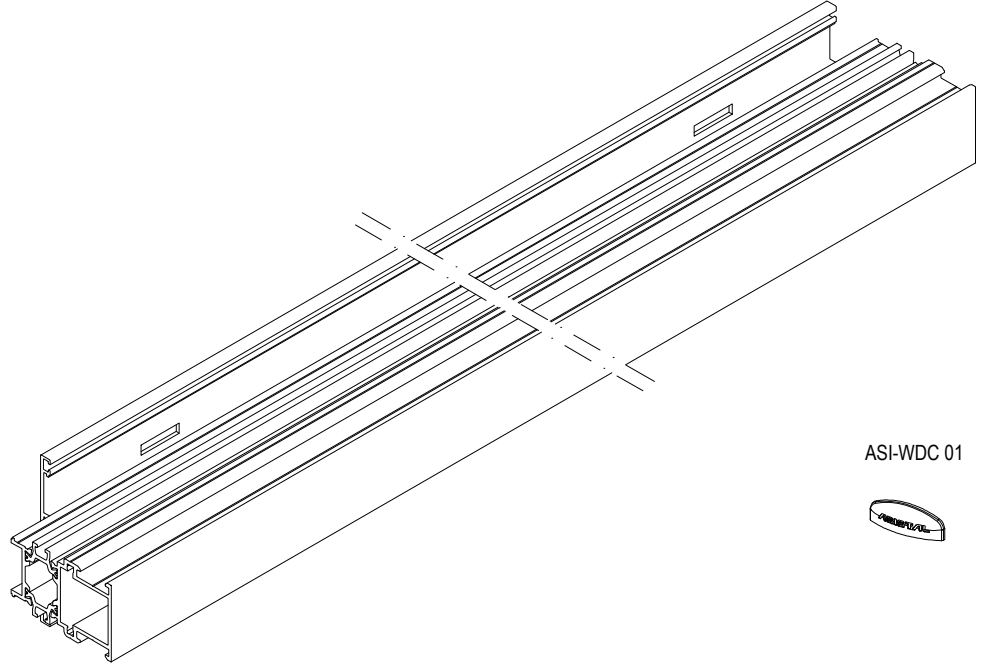
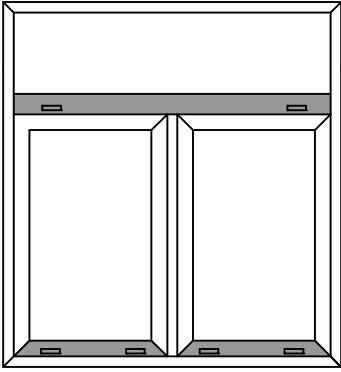


TH62 - THS62

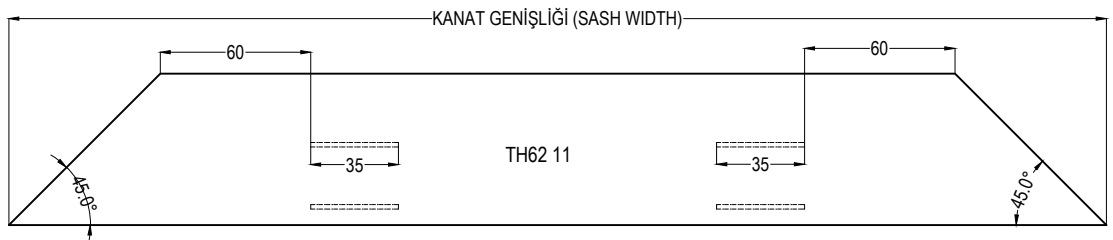
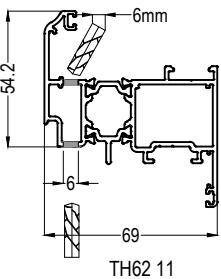
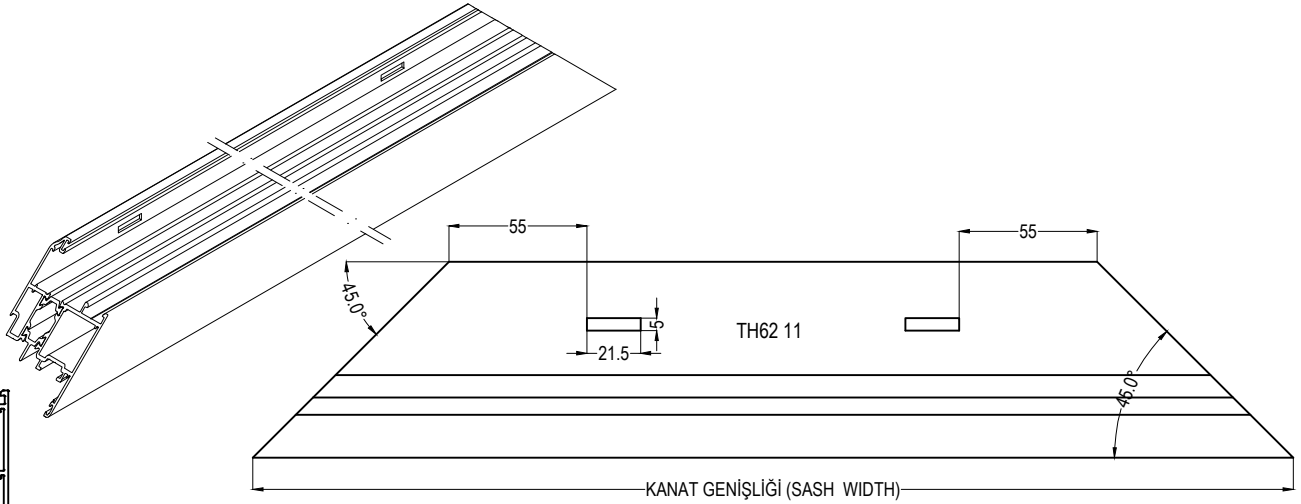
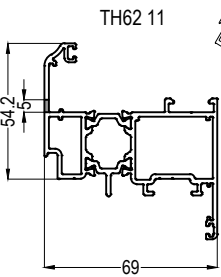
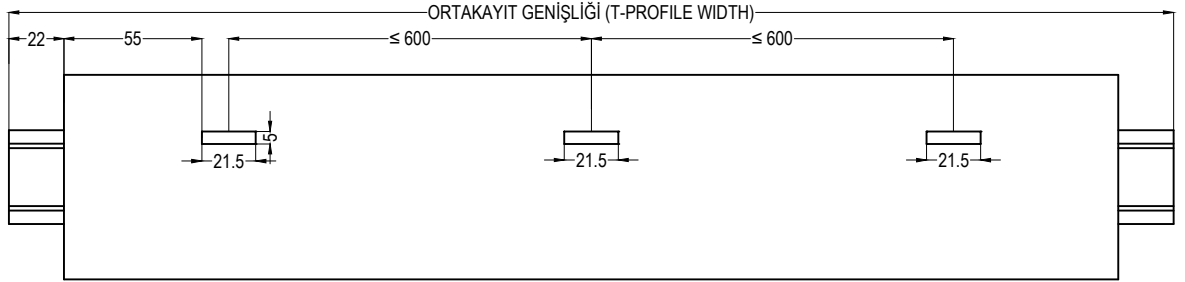
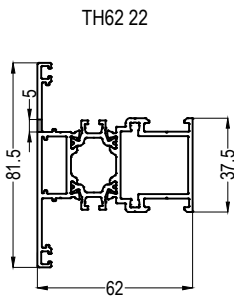
YALITIMLI KAPI-PENCERE SİSTEMİ
THERMAL WINDOW&DOOR SYSTEM

ASISTAL

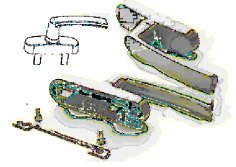
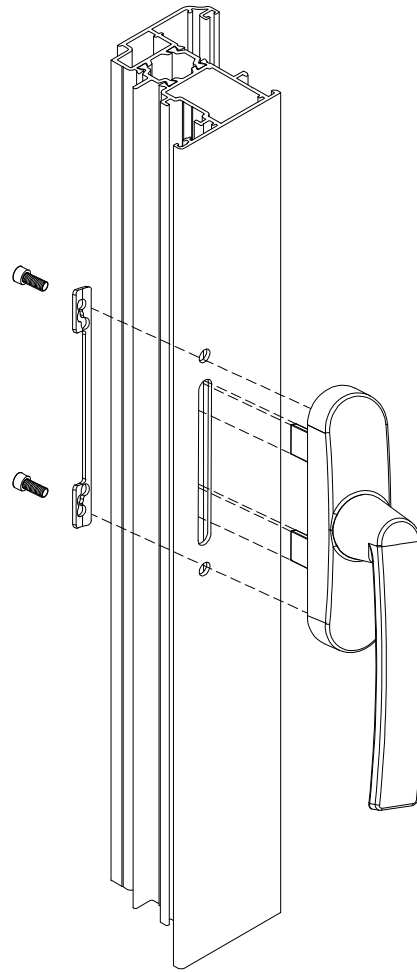
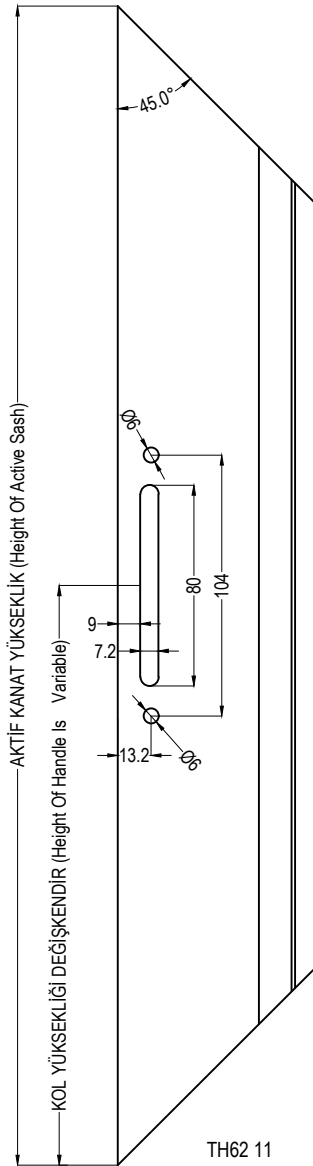
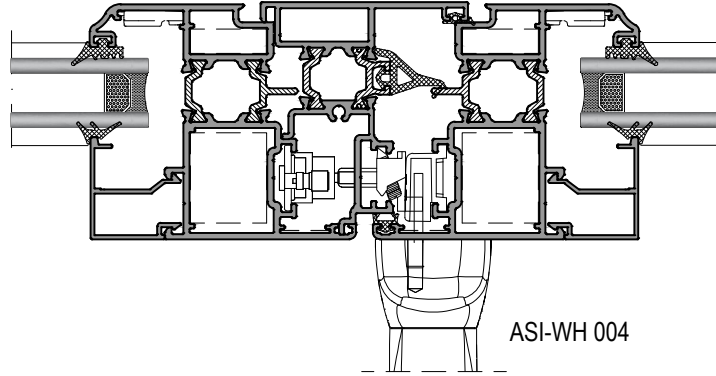
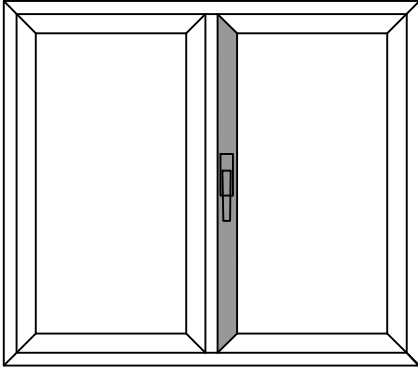
SU TAHLİYE DELİK İŞLEMLERİ WATER DRAINAGE HOLE OPERATIONS



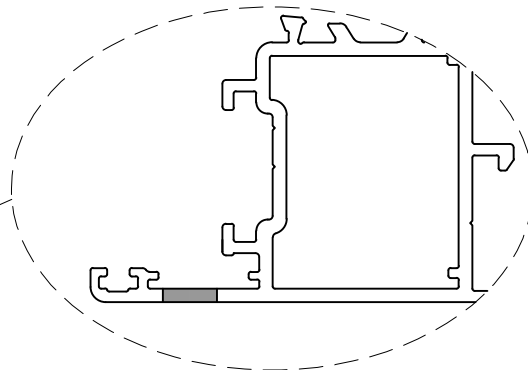
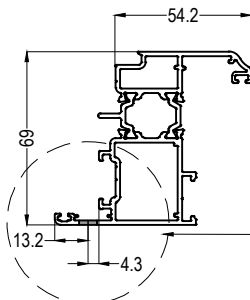
ASI-WDC 01



PENCERE KOLU SLOT ÖLÇÜLERİ WINDOW HANDLE SLOT OPERATIONS



ASI-WH 004



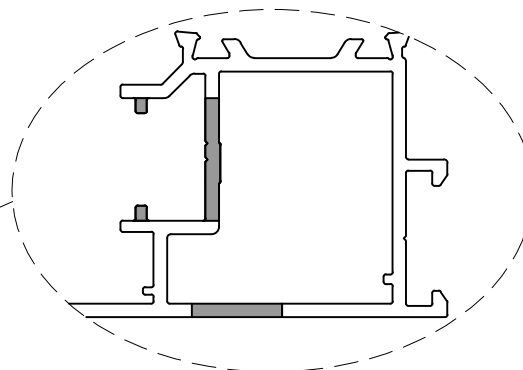
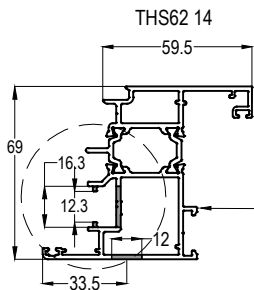
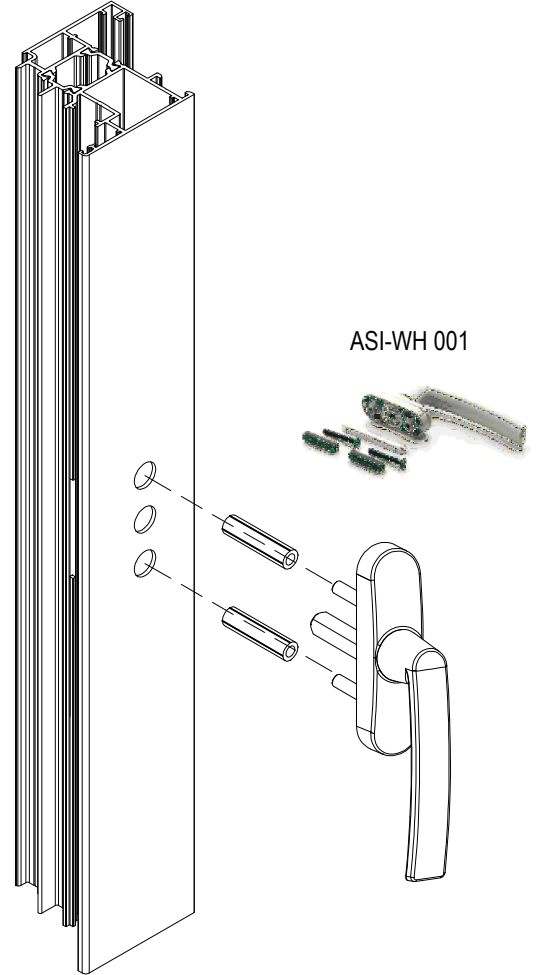
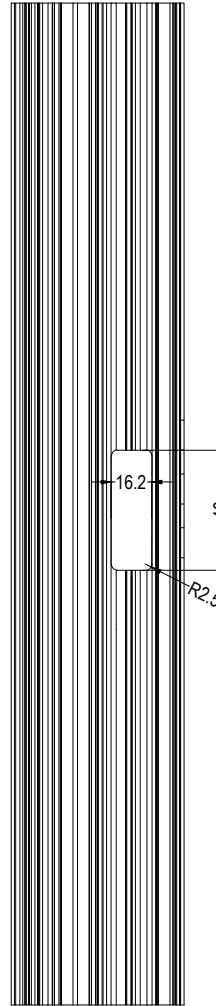
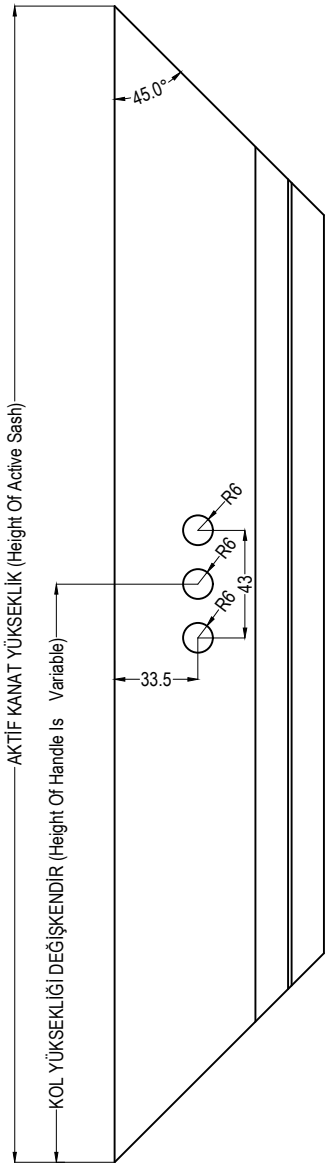
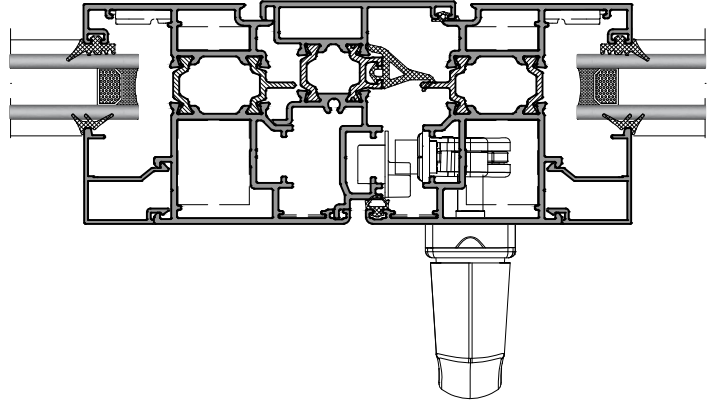
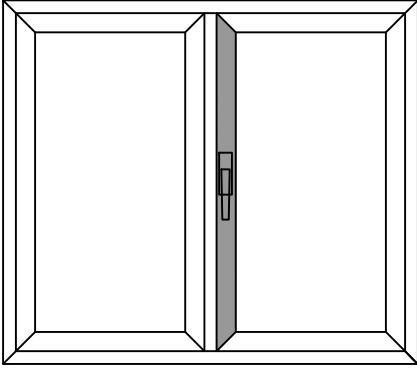
TH62 - THS62

YALITIMLI KAPI-PENCERE SİSTEMİ
THERMAL WINDOW&DOOR SYSTEM

ASISTAL

PENCERE KOLU SLOT ÖLÇÜLERİ WINDOW HANDLE SLOT OPERATIONS

ÇOK NOKTADAN KİLİTLEME MULTI POINT LOCKING

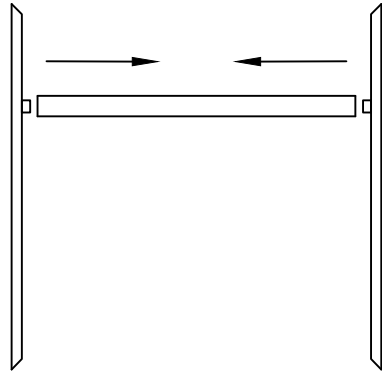
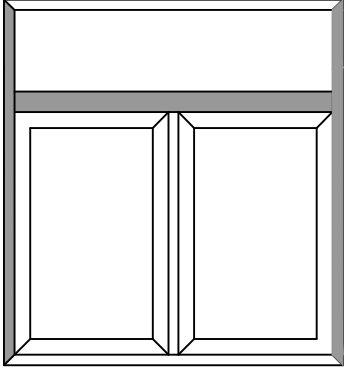


TH62 - THS62

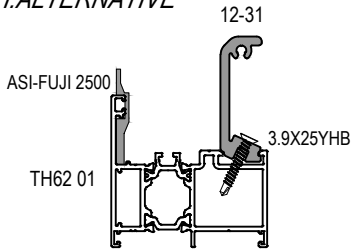
YALITIMLI KAPI-PENCERE SİSTEMİ
THERMAL WINDOW&DOOR SYSTEM

ASISTAL

ORTA KAYIT DİK BAĞLANTI DETAYLARI T-JOINT DETAILS



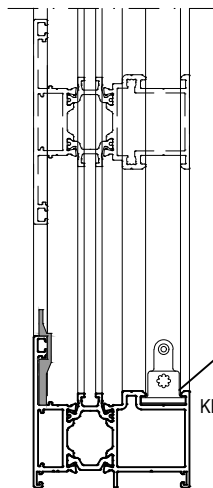
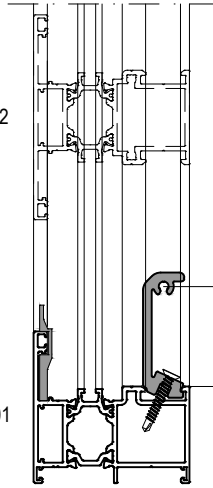
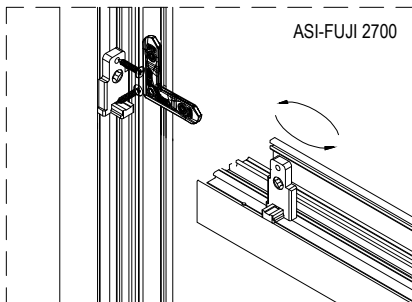
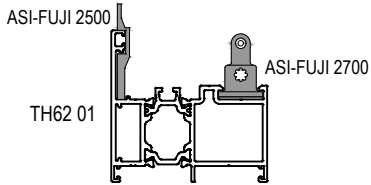
I. ALTERNATİF I. ALTERNATIVE



TH62 22

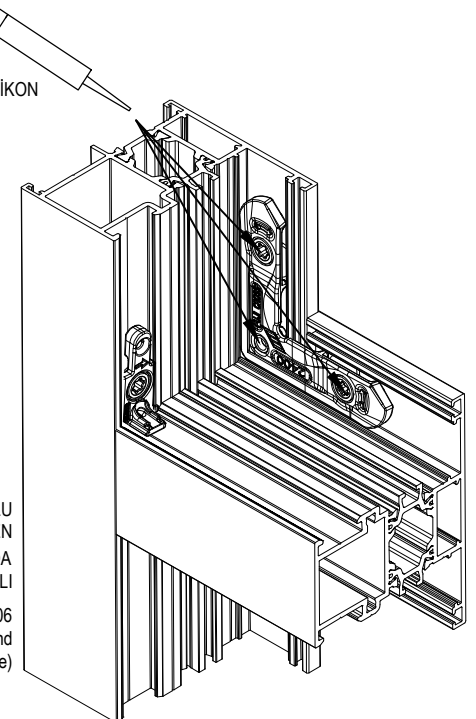
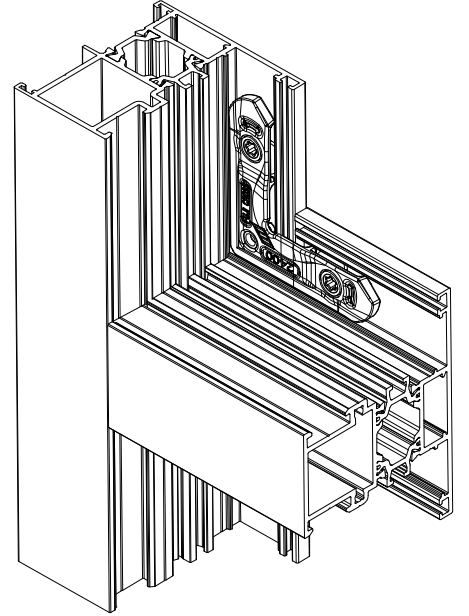
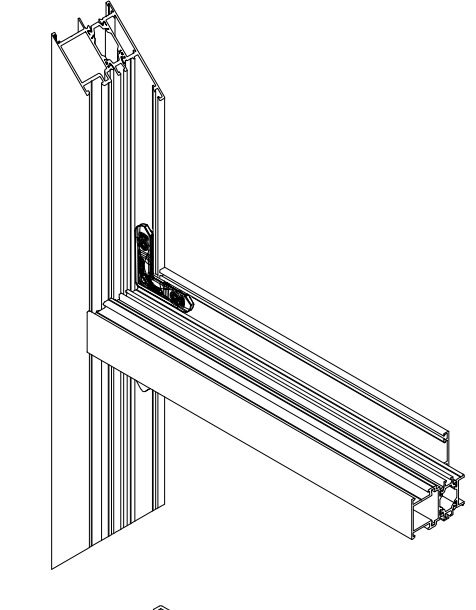
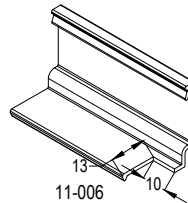
TH62 01

II. ALTERNATİF II. ALTERNATIVE



11-004, 11-006, 11-010 NOLU
CAM CİTALARI KULLANILIRKEN
ALT VE ÜST ÇİTALARDA
KENARLARDAN KERTME YAPILMALI
(If you have to use 11-004, 11-006
and 11-010 you should check and
cut from side)

SİLİKON

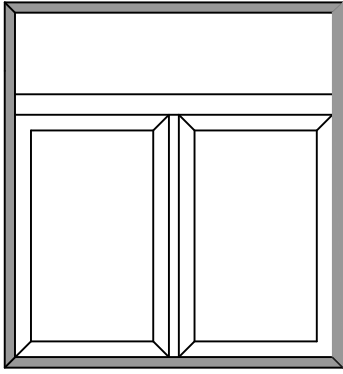


TH62 - THS62

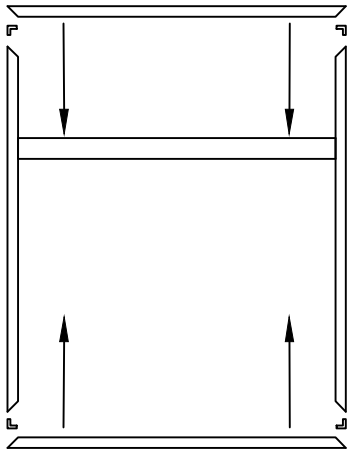
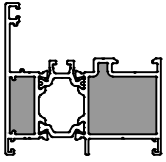
YALITIMLI KAPI-PENCERE SİSTEMİ
THERMAL WINDOW&DOOR SYSTEM

ASISTAL

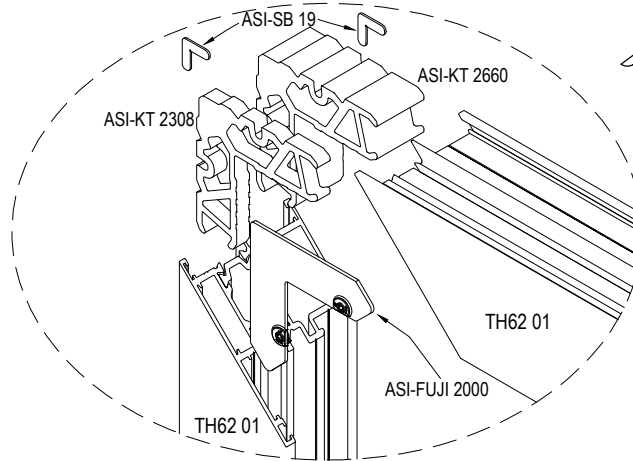
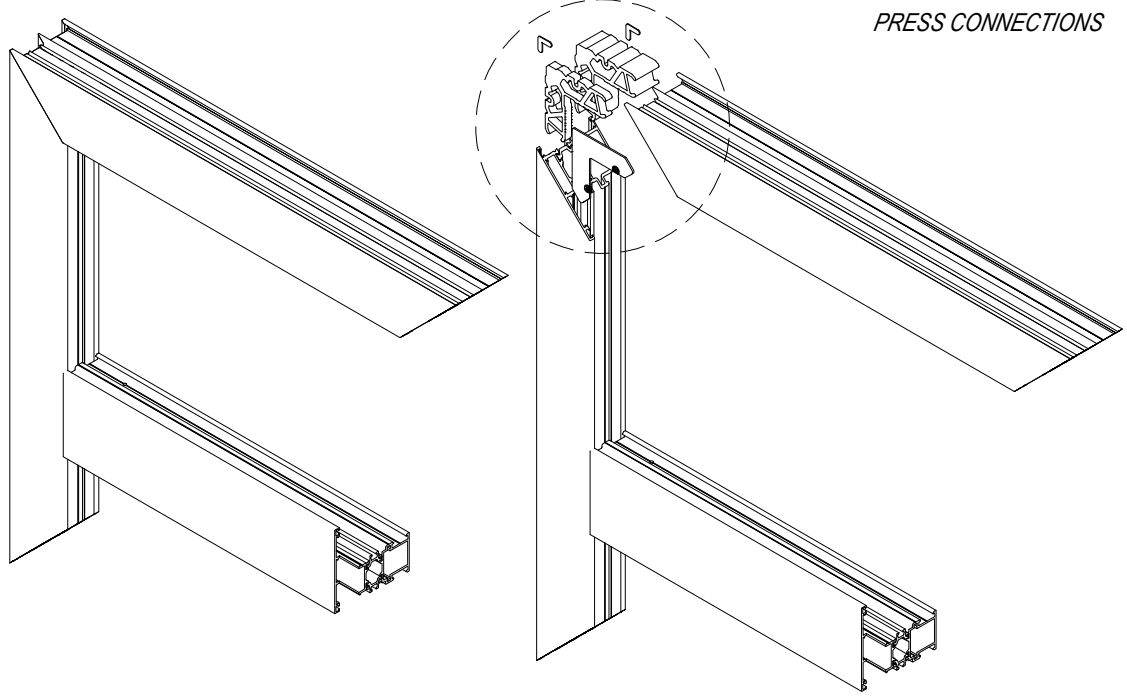
KÖŞE BAĞLANTI MONTAJI CORNER CONNECTIONS ASSEMBLY



TH62 01



PRES BAĞLANTI PRESS CONNECTIONS

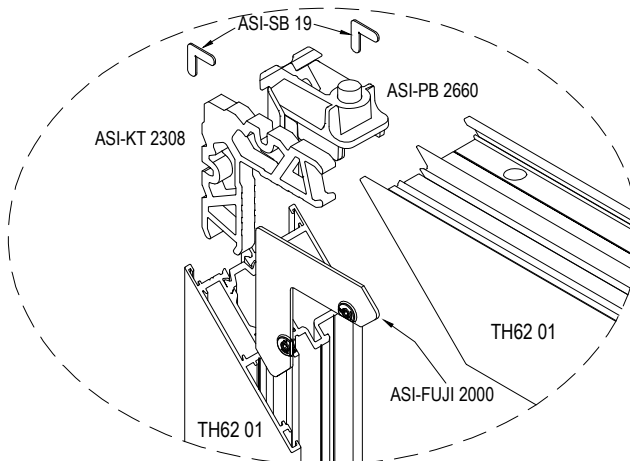
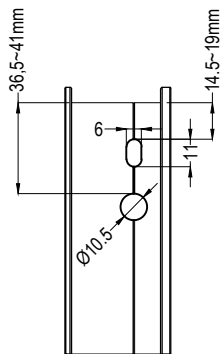
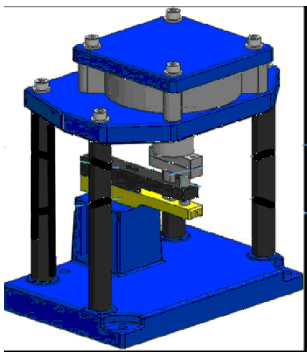


SİLİKON

TH62 01

PİMLİ BAĞLANTI PIN CONNECTIONS

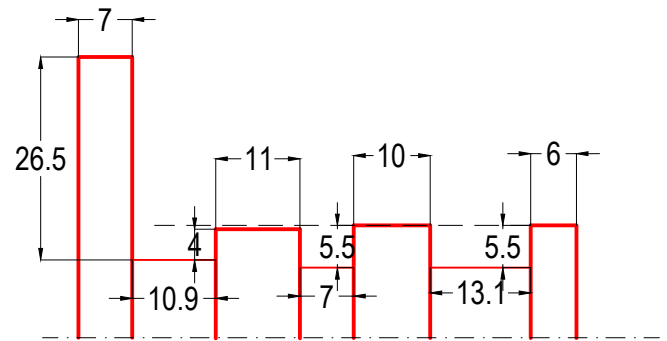
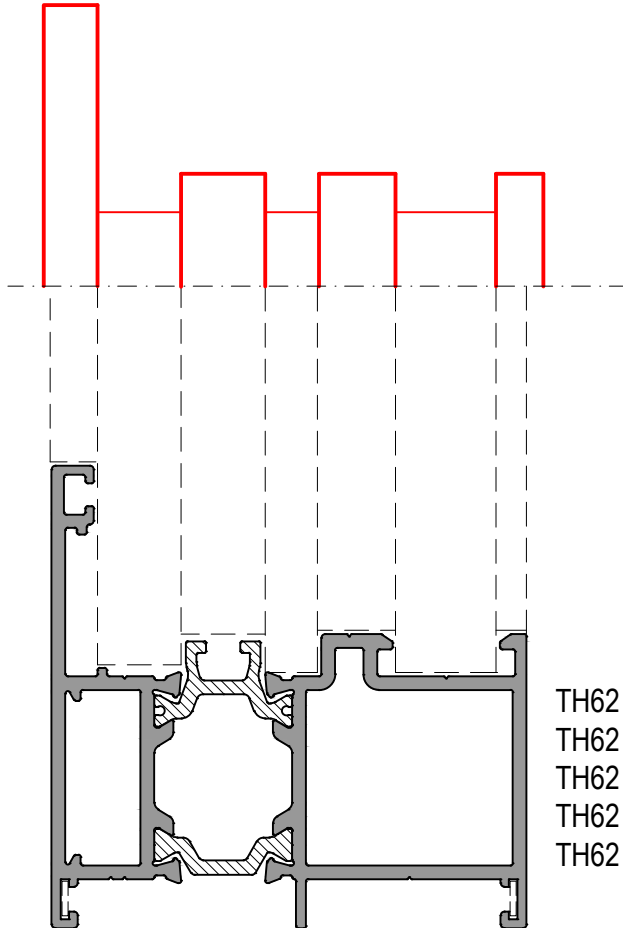
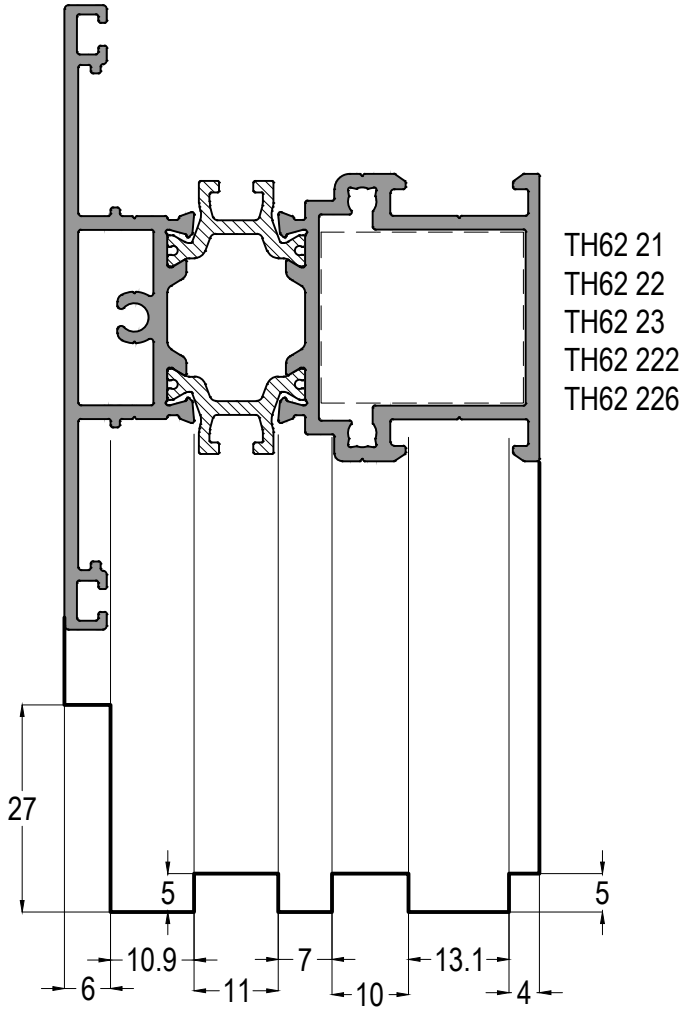
501 EKO PANÇ



TH62 - THS62

YALITIMLI KAPI-PENCERE SİSTEMİ
THERMAL WINDOW&DOOR SYSTEM

ASISTAL

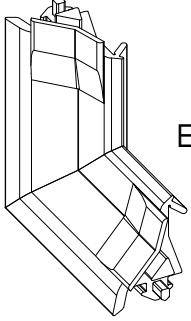


TH62 - THS62

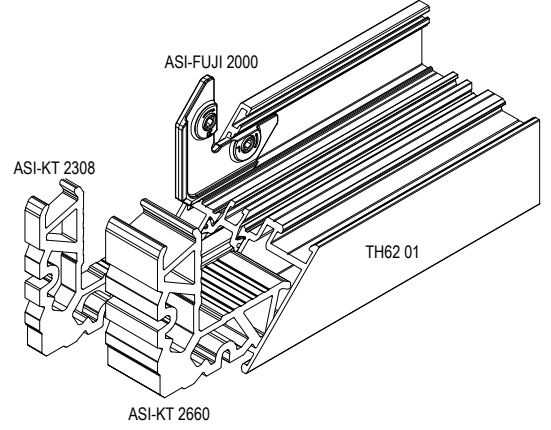
YALITIMLI KAPI-PENCERE SİSTEMİ
THERMAL WINDOW&DOOR SYSTEM

ASISTAL

KÖŞE VULKANİZE FİTİL MONTAJI CORNER GASKET INSTALLATION



EP4-13K



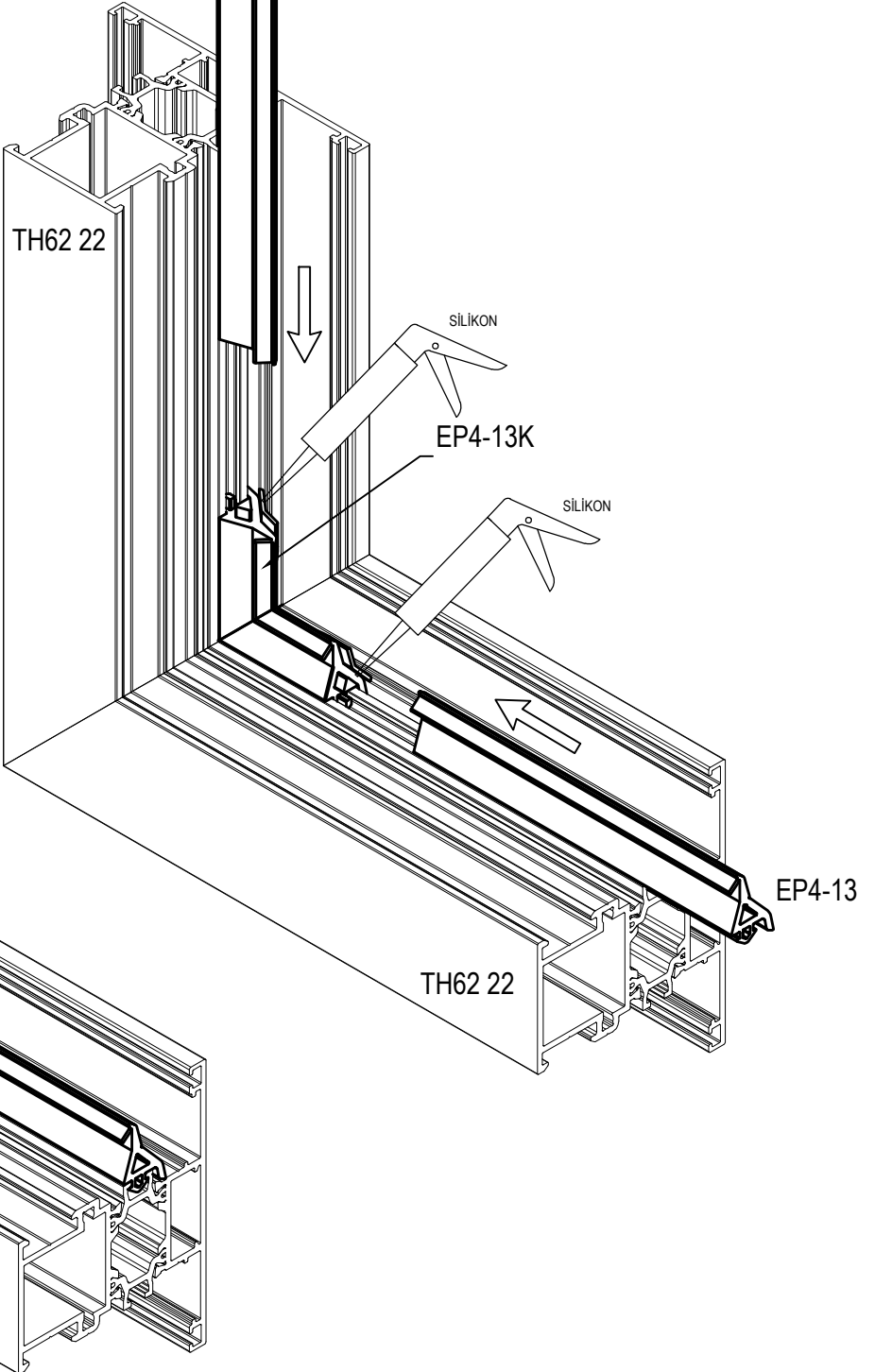
ASI-FUJI 2000

ASI-KT 2308

TH62 01

ASI-KT 2660

EP4-13



TH62 22

SİLİKON

EP4-13K

SİLİKON

EP4-13

TH62 22

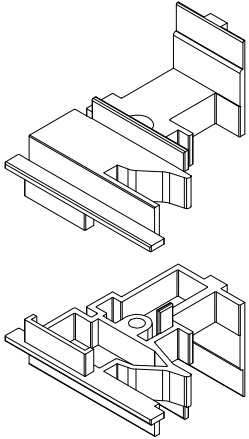
TH62 22

TH62 22

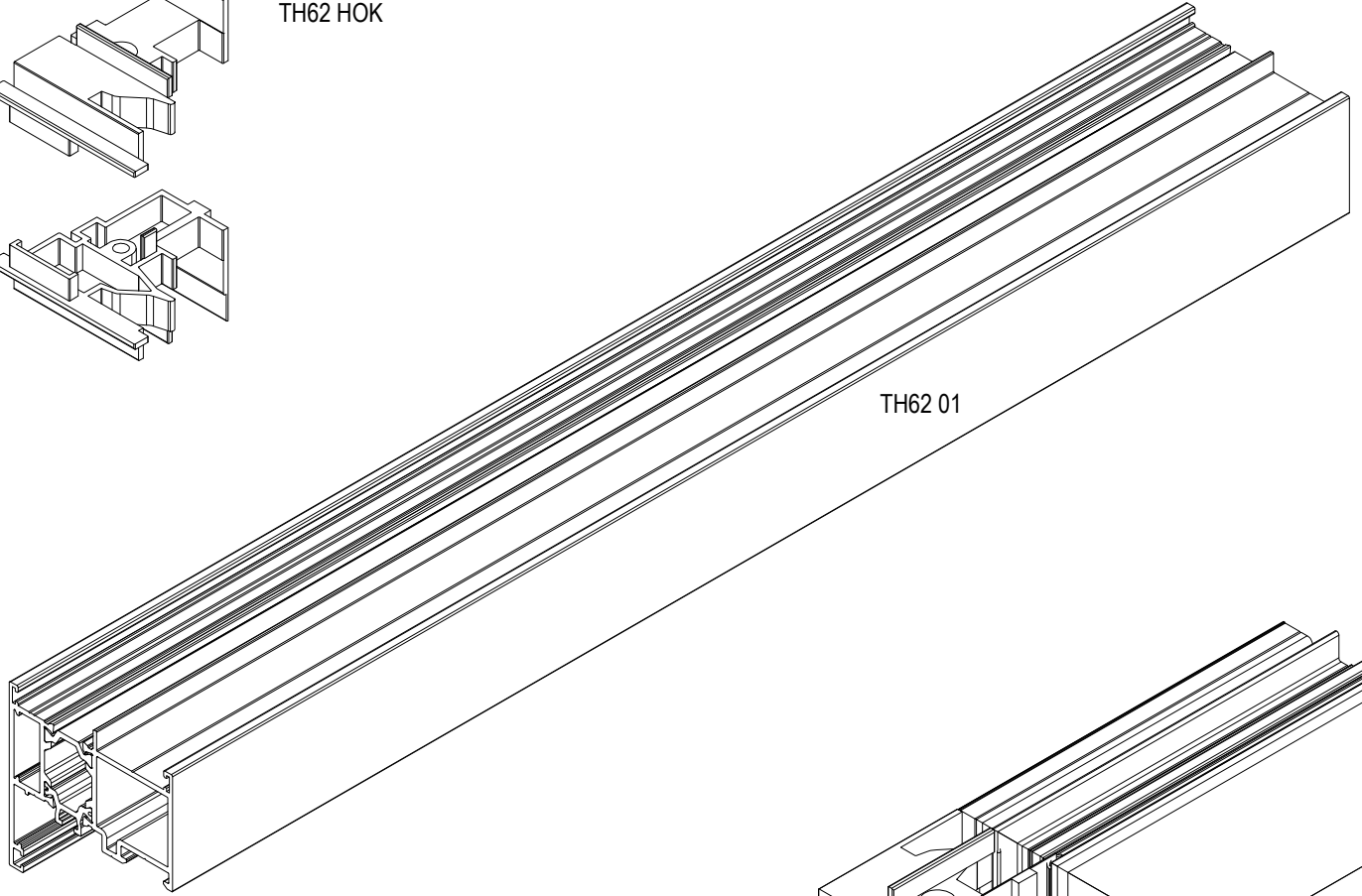
TH62 - THS62

YALITIMLI KAPI-PENCERE SİSTEMİ
THERMAL WINDOW&DOOR SYSTEM

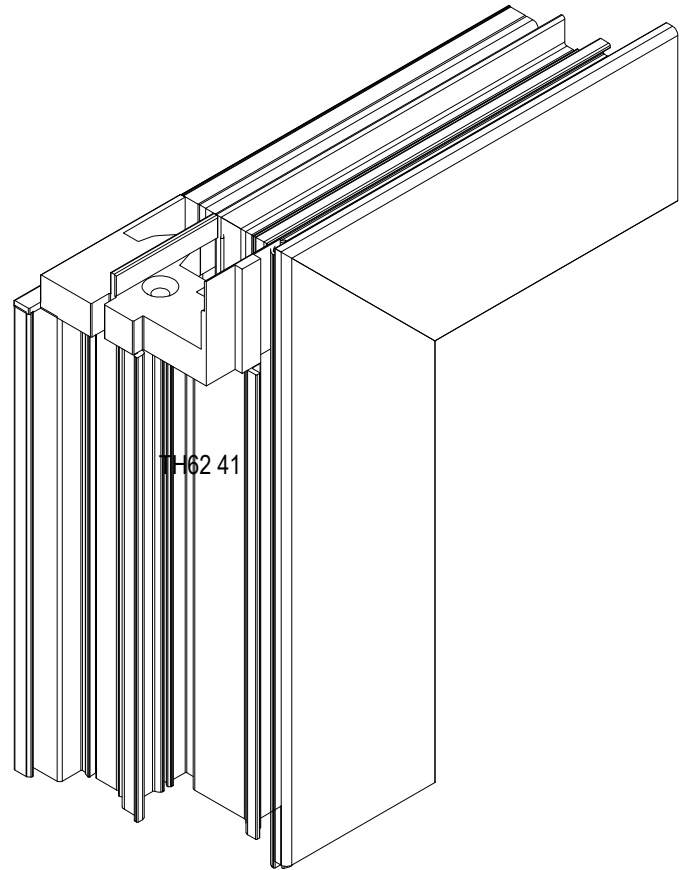
ASISTAL



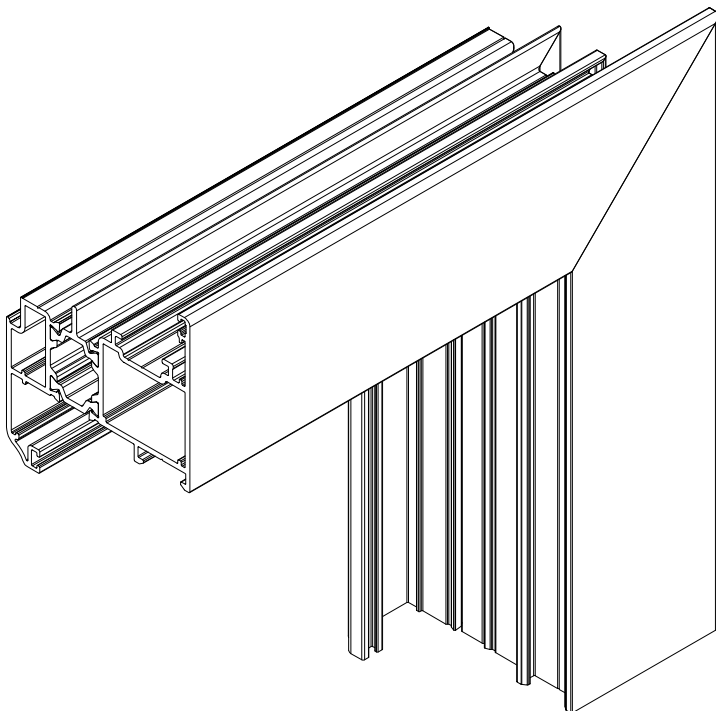
TH62 HOK



TH62 01



TH62 41

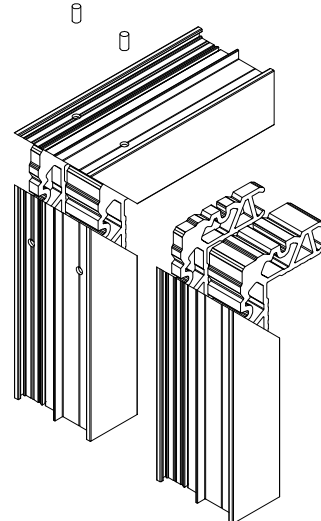
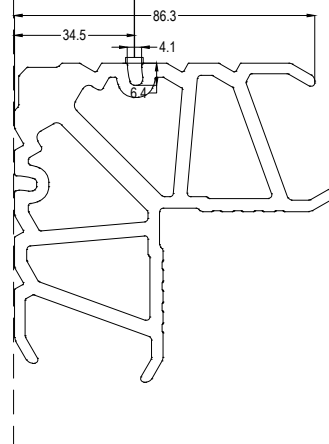
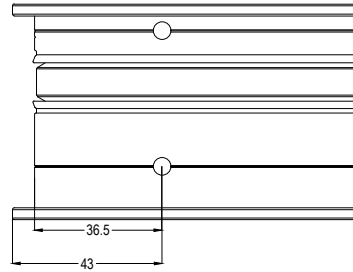
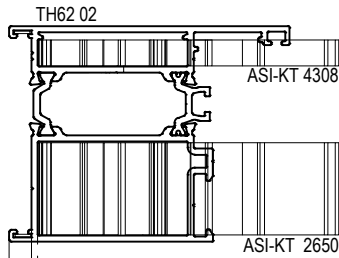
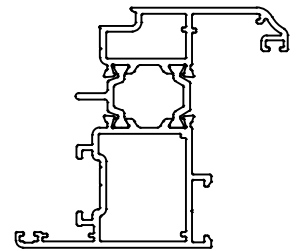
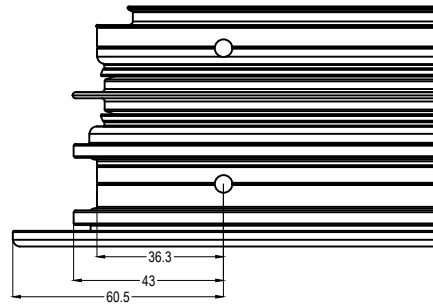
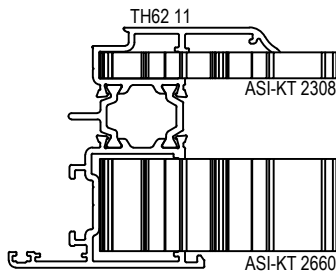
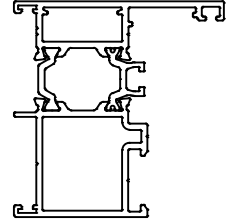
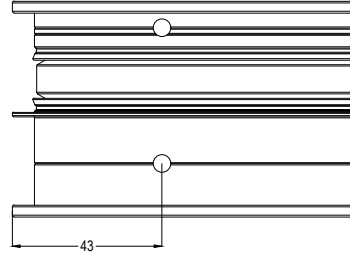
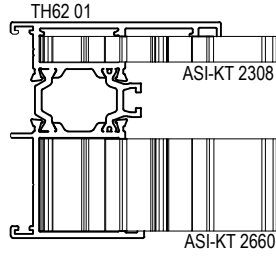
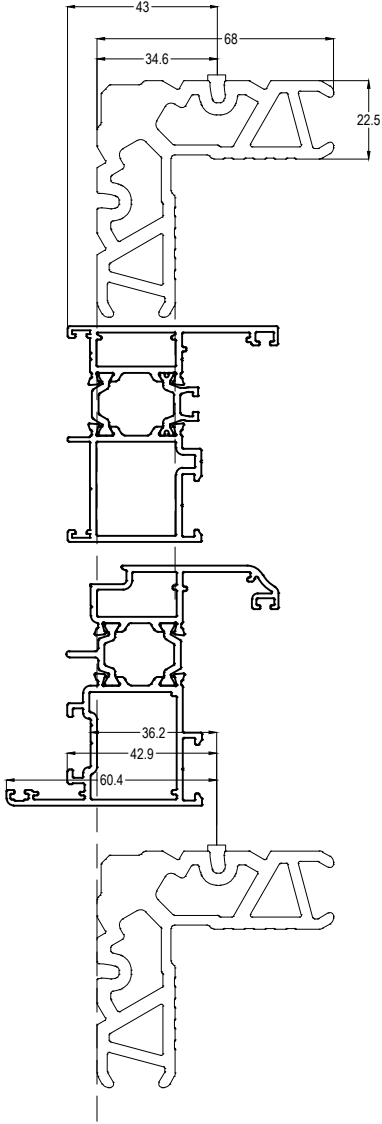


TH62 41 (H) = KANAT YÜKSEKLİĞİ - 69mm

TH62 - THS62

YALITIMLI KAPI-PENCERE SİSTEMİ
THERMAL WINDOW&DOOR SYSTEM

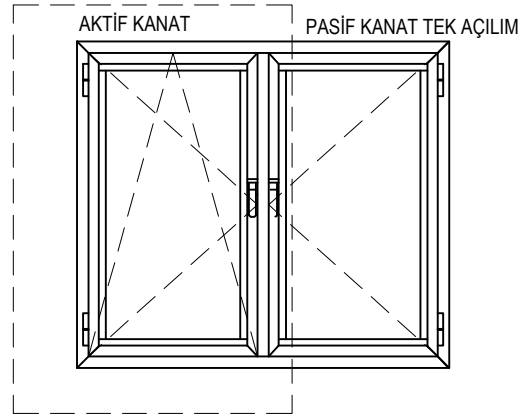
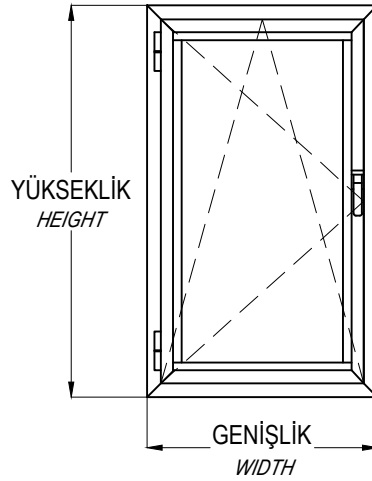
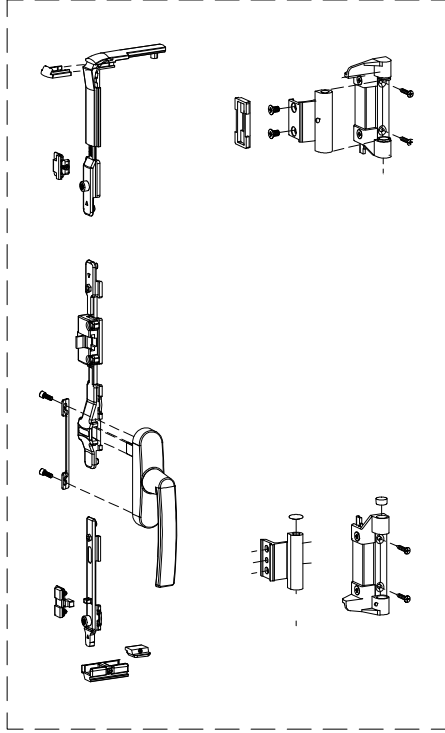
ASISTAL



ÇİFT EKSEN AÇILIM AKSESUAR KULLANIM TABLOSU / ALU - ALU TT

TILT&TURN OPENING ACCESSORIES TABLE

STANDART KİT / ASI-LTT-S01

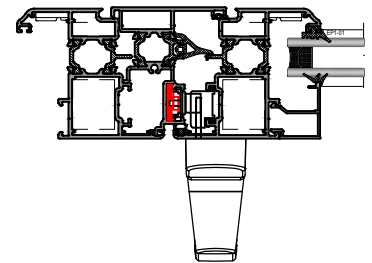
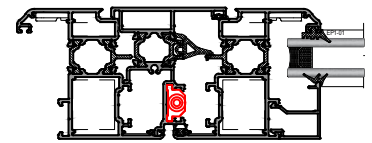
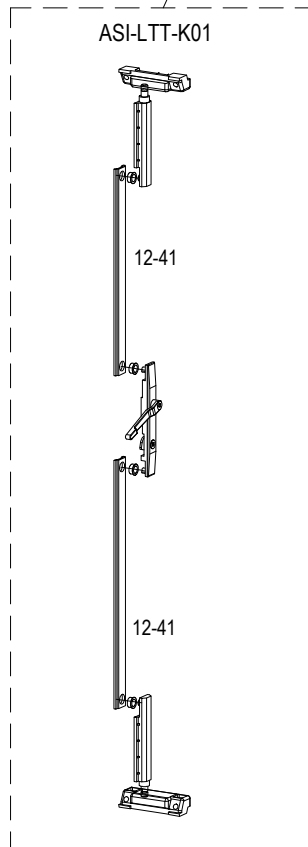
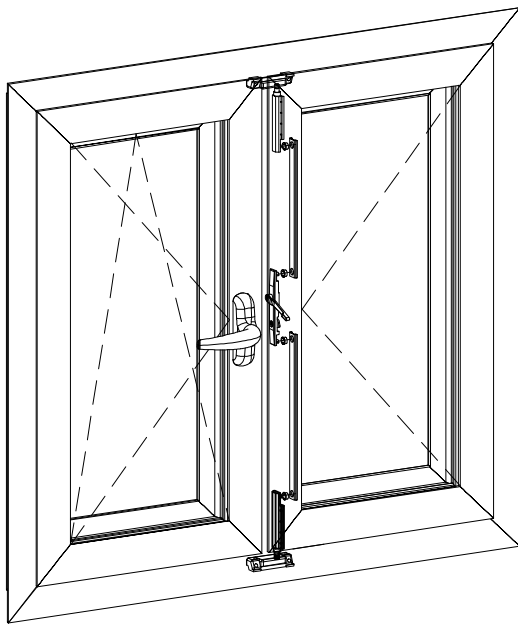
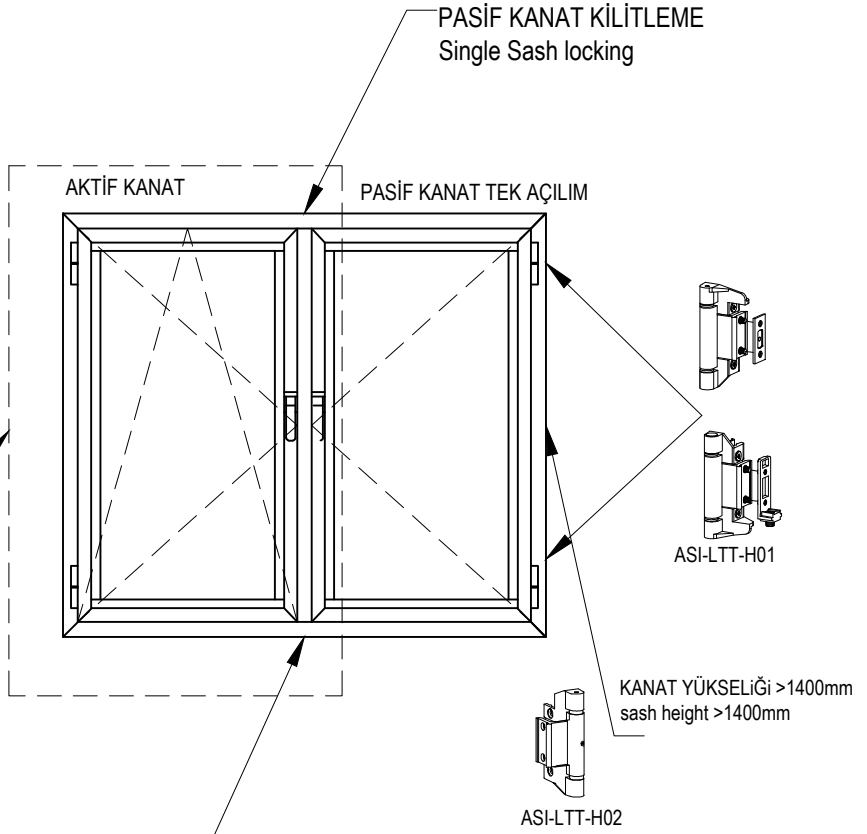
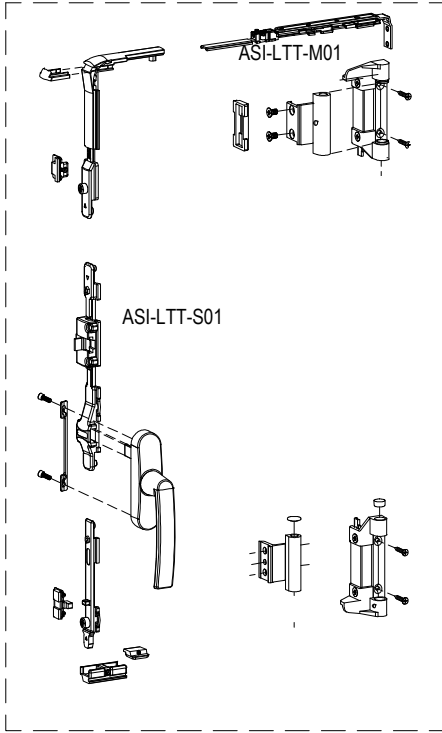


	ASI-LTT-S01	ASI-LTT-M01	ASI-LTT-M02	ASI-LTT-M03	ASI-LTT-M04	ASI-LTT-B01
KANAT GENİŞLİK / Sash Widht : 345-400mm	X	X				
KANAT GENİŞLİK / Sash Widht : 401-540mm	X		X			
KANAT GENİŞLİK / Sash Widht : 541-1100mm	X			X		
KANAT GENİŞLİK / Sash Widht : 1100-1500mm	X			X	X	
KANAT YÜKSEKLİK / Sash Height : < 1400mm						X

ÇİFT EKSEN AÇILIM ÇİFT KANAT AKSESUAR KULLANIM TABLOSU / ALU - ALU TT

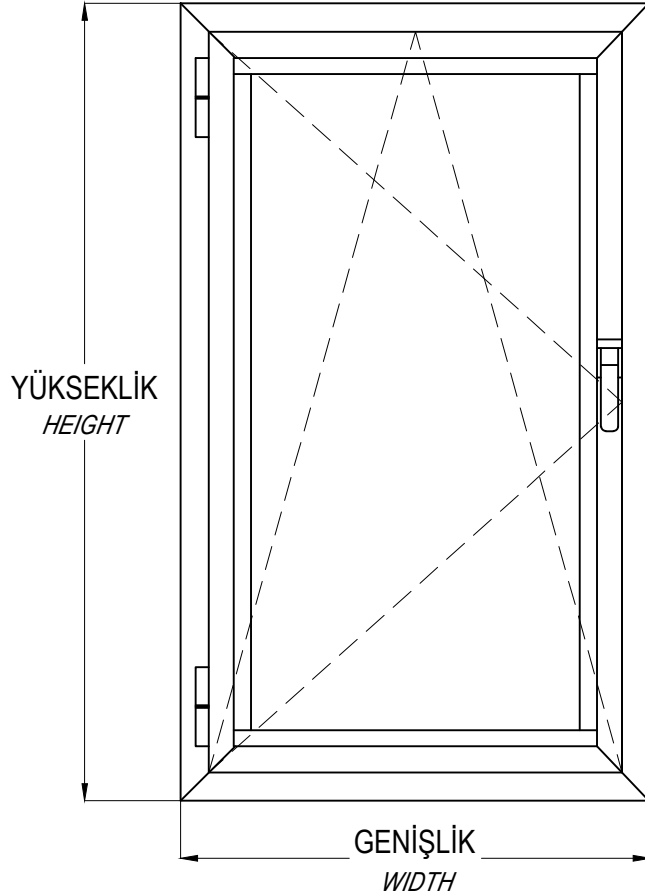
TILT&TURN OPENING ACCESSORIES TABLE

STANDART KİT / ASI-LTT-S01



MULTI POINT SİSTEM (PVC KANALLI) ÇİFT EKSEN AÇILIM AKSESUAR TABLOSU / ALU - PVC TT

MULTI POINT SYSTEM TILT&TURN OPENING ACCESSORIES TABLE



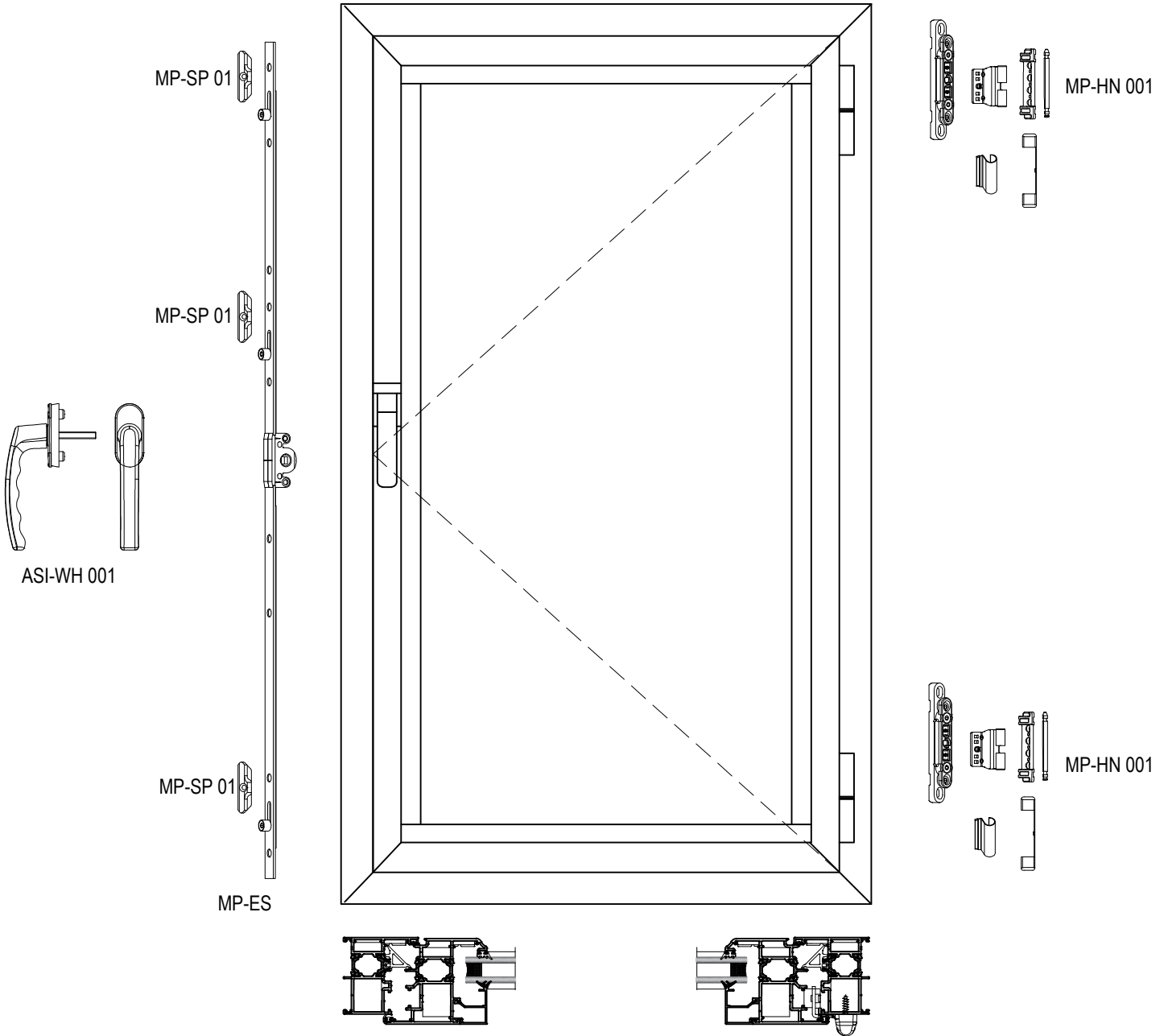
MULTI POINT (PVC KANALLI) KİLİTLEME AKSESUAR SEÇİM TABLOSU

MULTI POINT SYSTEM ACCESSORIES TABLE

		GENİŞLİK - WIDTH				
		400-650mm	600-850mm	850-1100mm	1100-1350mm	1350mm-1600mm
YÜKSEKLİK- HEIGHT	450-700 mm	ASI-PVC TT 01	ASI-PVC TT 02	ASI-PVC TT 03	ASI-PVC TT 04	
	700-1200 mm	ASI-PVC TT 05	ASI-PVC TT 06	ASI-PVC TT 07	ASI-PVC TT 08	ASI-PVC TT 09
	1200-1400 mm	ASI-PVC TT 10	ASI-PVC TT 11	ASI-PVC TT 12	ASI-PVC TT 013	ASI-PVC TT 14
	1400-1700 mm	ASI-PVC TT 15	ASI-PVC TT 16	ASI-PVC TT 017	ASI-PVC TT 18	ASI-PVC TT 19
	1700-2400 mm	ASI-PVC TT 20	ASI-PVC TT 21	ASI-PVC TT 22	ASI-PVC TT 23	ASI-PVC TT 24

MULTI POINT SİSTEM (PVC KANALLI) TEK EKSEN AÇILIM AKSESUARLARI

MULTI POINT SYSTEM SINGLE OPENING WINDOW ACCESSORIES



MULTI POINT SİSTEM (PVC KANALLI) TEK KANAT AÇILIM KAPI AKSESUARLARI

MULTI POINT SYSTEM INNER / OUTER OPENING DOOR ACCESSORIES

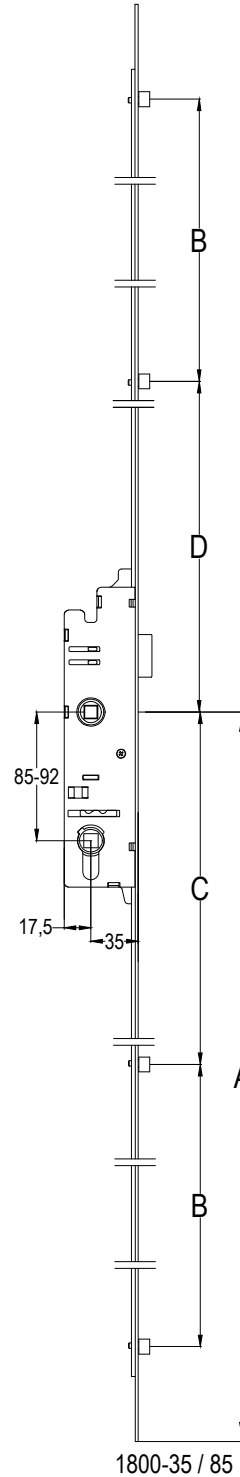
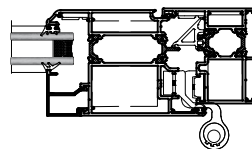
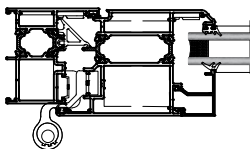
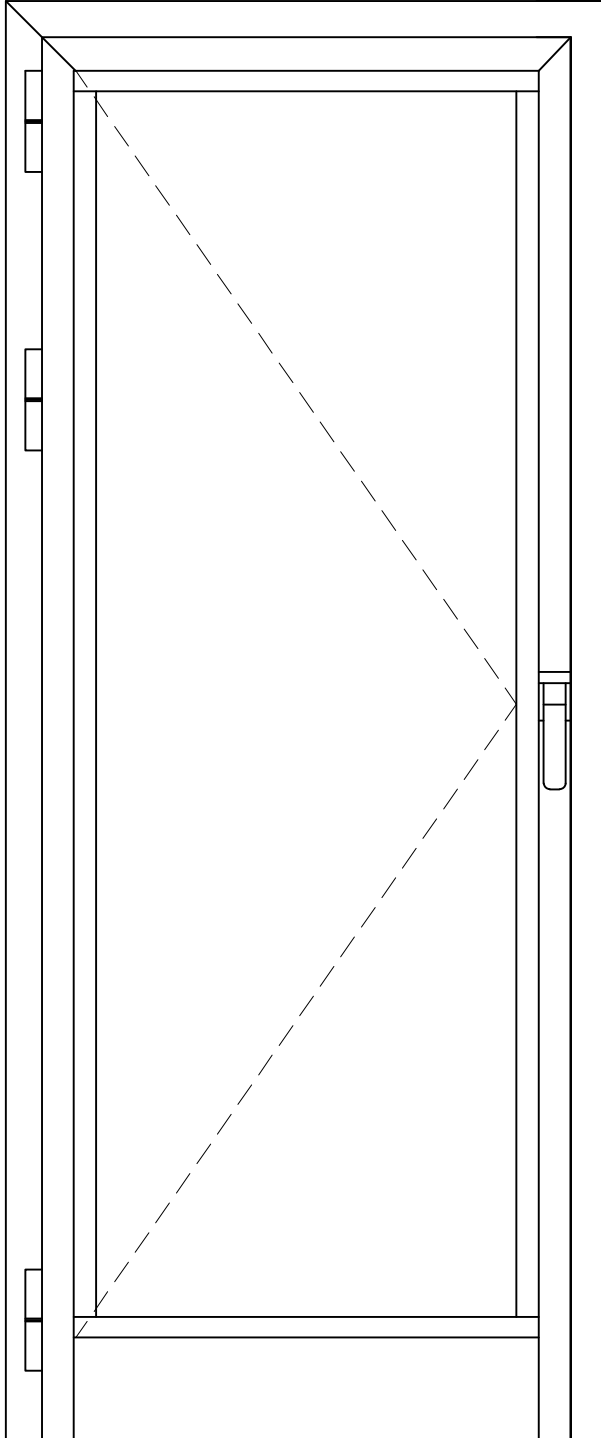
MP-HN 002



MP-HN 002



MP-HN 002



MP-SP 01



MP-SP 01



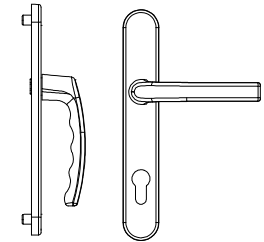
MP-SP 02

ASI-BRL 90

MP-SP 01

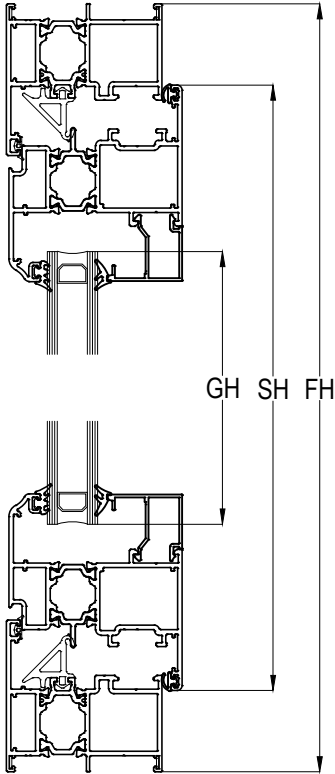
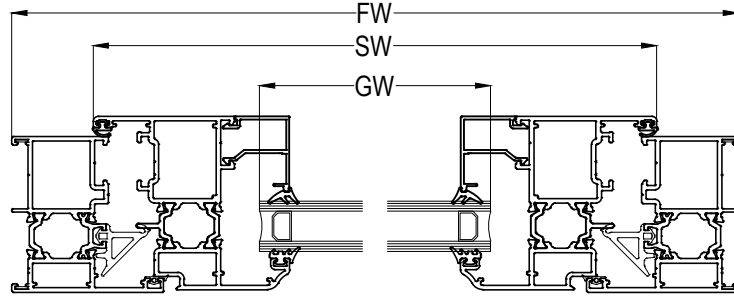
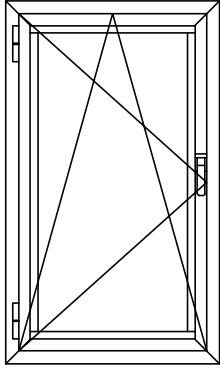
MP-SP 01

MP-SP 01



ASI-DH 001

TEK KANAT AÇILIM KESİM ÖLÇÜLERİ SINGLE SASH CUTTING SIZES

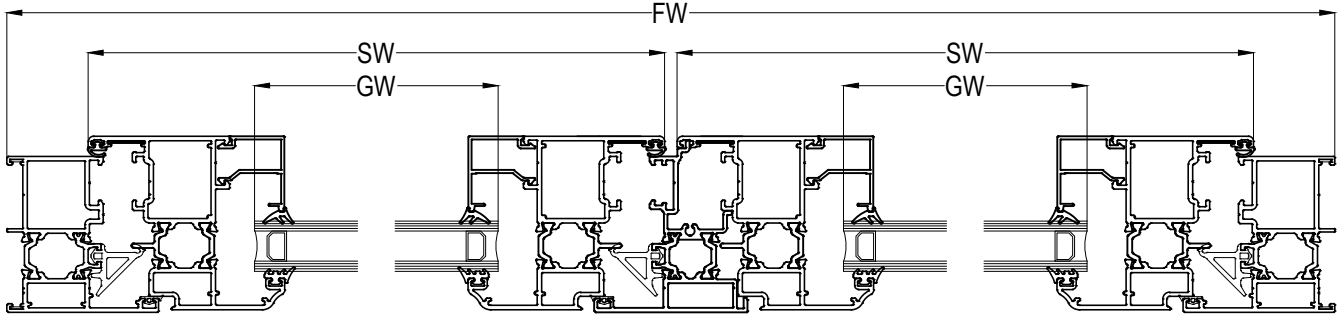


KASA PROFİLİ FRAME PROFILE	KANAT PROFİLİ SASH PROFILE	KESİM ÖLÇÜLERİ CUTTING SIZES
TH62 01 TH62 01 TH62 01	TH62 11 THS62 11 TH62 18	SW = FW - 64,8mm GW = SW - 122,4mm SH = FH - 64,8mm GH = SH - 122,4mm
TH62 01 TH62 01	TH62 12 THS62 12	SW = FW - 64,8mm GW = SW - 162,8mm SH = FH - 64,8mm GH = SH - 162,8mm
TH62 02 TH62 02 TH62 02	TH62 11 THS62 11 TH62 18	SW = FW - 105,2mm GW = SW - 122,4mm SH = FH - 105,2mm GH = SH - 122,4mm
TH62 02 TH62 02	TH62 12 THS62 12	SW = FW - 105,2mm GW = SW - 162,8mm SH = FH - 105,2mm GH = SH - 162,8mm

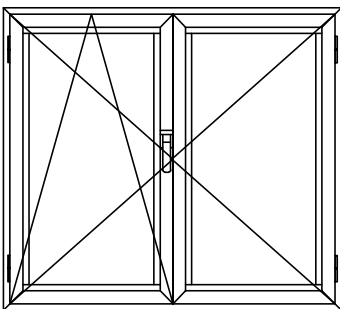
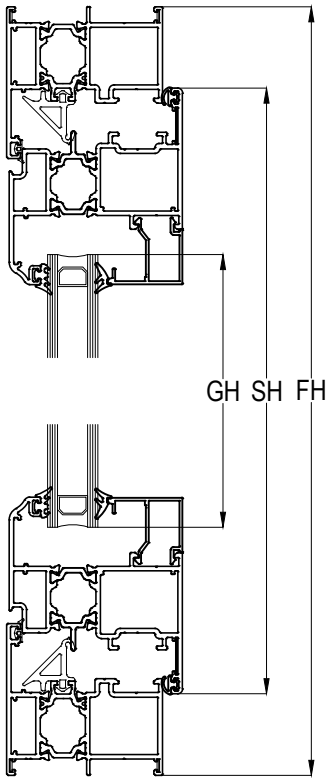
FW= KASA GENİŞLİĞİ / FRAME WIDTH
SW= KANAT GENİŞLİĞİ / SASH WIDTH
GW= CAM GENİŞLİĞİ / GLASS WIDTH

FH= KASA YÜKSEKLİĞİ / FRAME HEIGHT
SH= KANAT YÜKSEKLİĞİ / SASH HEIGHT
GH= CAM YÜKSEKLİĞİ / GLASS HEIGHT

ÇİFT KANAT AÇILIM KESİM ÖLÇÜLERİ DOUBLE SASH CUTTING SIZES



ADAPTÖR PROFİLİ
TH62 41 = SH - 69mm



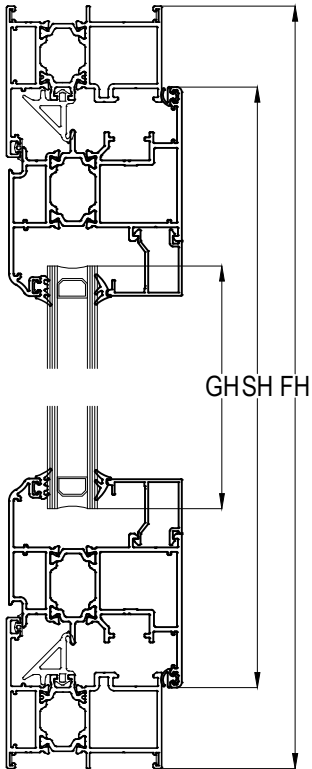
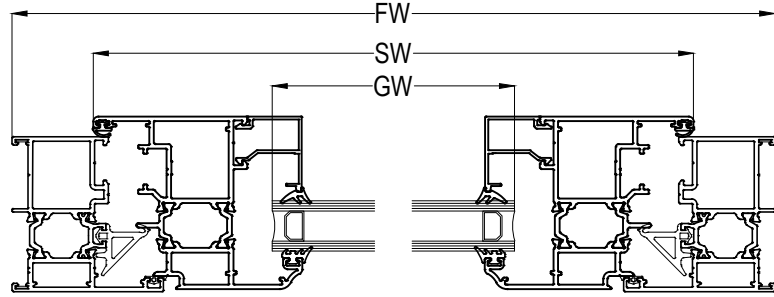
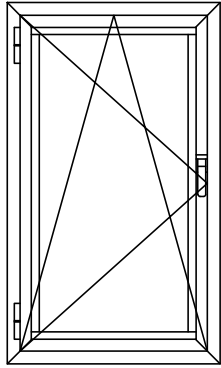
KASA PROFİLİ FRAME PROFILE	KANAT PROFİLİ SASH PROFILE	KESİM ÖLÇÜLERİ CUTTING SIZES
TH62 01 TH62 01 TH62 01	TH62 11 THS62 11 TH62 18	SW = FW / 2 - 34,9mm GW = SW - 122,4mm SH = FH - 64,8mm GH = SH - 122,4mm
TH62 01 TH62 01	TH62 12 THS62 12	SW = FW / 2 - 34,9mm GW = SW - 162,8mm SH = FH - 64,8mm GH = SH - 162,8mm
TH62 02 TH62 02 TH62 02	TH62 11 THS62 11 TH62 18	SW = FW / 2 - 55,1mm GW = SW - 122,4mm SH = FH - 105,2mm GH = SH - 122,4mm
TH62 02 TH62 02	TH62 12 THS62 12	SW = FW / 2 - 55,1mm GW = SW - 162,8mm SH = FH - 105,2mm GH = SH - 162,8mm

FW= KASA GENİŞLİĞİ / FRAME WIDTH
SW= KANAT GENİŞLİĞİ / SASH WIDTH
GW= CAM GENİŞLİĞİ / GLASS WIDTH

FH= KASA YÜKSEKLİĞİ / FRAME HEIGHT
SH= KANAT YÜKSEKLİĞİ / SASH HEIGHT
GH= CAM YÜKSEKLİĞİ / GLASS HEIGHT

MULTI POINT (PVC KANALLI) TEK KANAT AÇILIM KESİM ÖLÇÜLERİ

MULTI POINT SINGLE SASH CUTTING SIZES



KASA PROFİLİ FRAME PROFILE	KANAT PROFİLİ SASH PROFILE	KESİM ÖLÇÜLERİ CUTTING SIZES
TH62 01 TH62 01	TH62 14 THS62 14	SW = FW - 64,8mm GW = SW - 133mm SH = FH - 64,8mm GH = SH - 133mm
TH62 01 TH62 01	TH62 15 THS62 15	SW = FW - 64,8mm GW = SW - 173,4mm SH = FH - 64,8mm GH = SH - 173,4mm
TH62 02 TH62 02	TH62 14 THS62 14	SW = FW - 105,2mm GW = SW - 133mm SH = FH - 105,2mm GH = SH - 133mm
TH62 02 TH62 02	TH62 15 THS62 15	SW = FW - 105,2mm GW = SW - 173,4mm SH = FH - 105,2mm GH = SH - 173,4mm

FW= KASA GENİŞLİĞİ / FRAME WIDTH

SW= KANAT GENİŞLİĞİ / SASH WIDTH

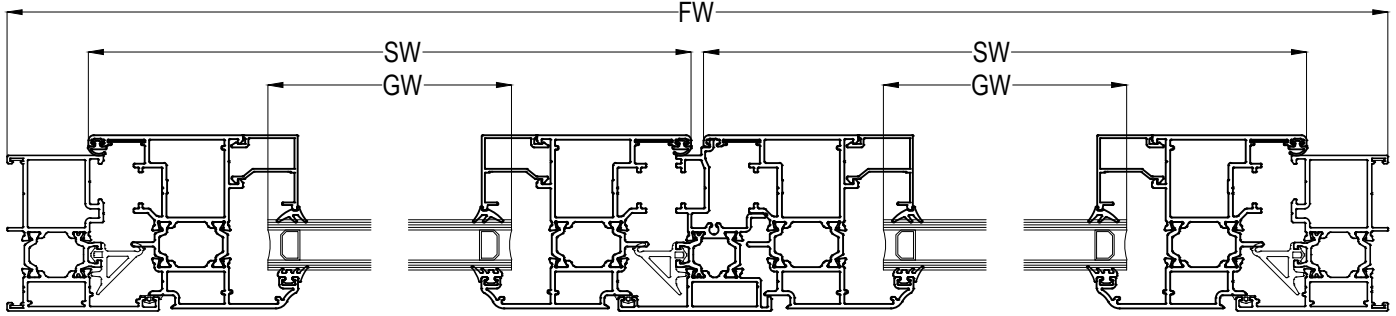
GW= CAM GENİŞLİĞİ / GLASS WIDTH

FH= KASA YÜKSEKLİĞİ / FRAME HEIGHT

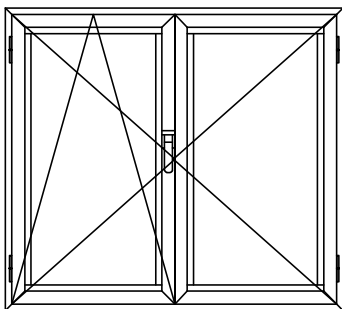
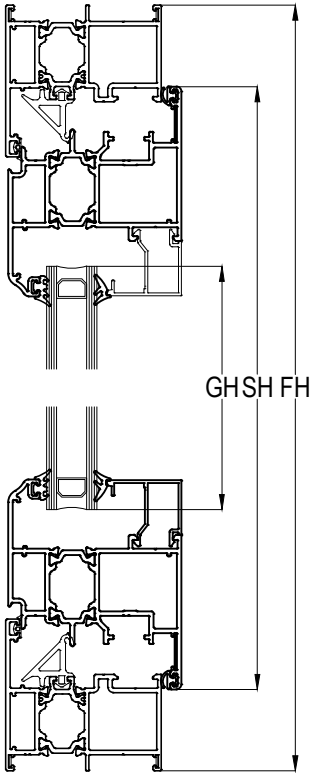
SH= KANAT YÜKSEKLİĞİ / SASH HEIGHT

GH= CAM YÜKSEKLİĞİ / GLASS HEIGHT

MULTI POINT (PVC KANALLI) ÇİFT KANAT AÇILIM KESİM ÖLÇÜLERİ MULTI POINT DOUBLE SASH CUTTING SIZES



ADAPTÖR PROFİLİ
TH62 42 = SH - 69mm



KASA PROFİLİ FRAME PROFILE	KANAT PROFİLİ SASH PROFILE	KESİM ÖLÇÜLERİ CUTTING SIZES
TH62 01 TH62 01	TH62 14 THS62 14	SW = FW / 2 - 34,9mm GW = SW - 133mm SH = FH - 64,8mm GH = SH - 133mm
TH62 01 TH62 01	TH62 15 THS62 15	SW = FW / 2 - 34,9mm GW = SW - 173,4mm SH = FH - 64,8mm GH = SH - 173,4mm
TH62 02 TH62 02	TH62 14 THS62 14	SW = FW / 2 - 55,1mm GW = SW - 133mm SH = FH - 105,2mm GH = SH - 133mm
TH62 02 TH62 02	TH62 15 THS62 15	SW = FW / 2 - 55,1mm GW = SW - 173,4mm SH = FH - 105,2mm GH = SH - 173,4mm

FW= KASA GENİŞLİĞİ / FRAME WIDTH
SW= KANAT GENİŞLİĞİ / SASH WIDTH
GW= CAM GENİŞLİĞİ / GLASS WIDTH

FH= KASA YÜKSEKLİĞİ / FRAME HEIGHT
SH= KANAT YÜKSEKLİĞİ / SASH HEIGHT
GH= CAM YÜKSEKLİĞİ / GLASS HEIGHT