

TH78 - THS78

YALITIMLI KAPI-PENCERE SİSTEMİ
THERMAL WINDOW&DOOR SYSTEM

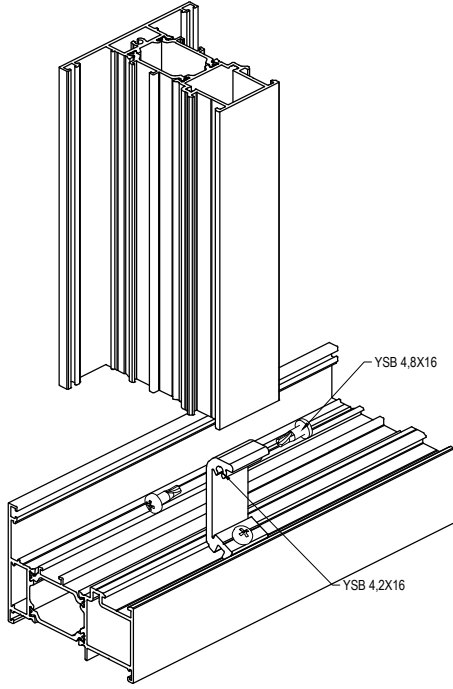
ASISTAL

KESİM ve MONTAJ
CUTTING & ASSEMBLY

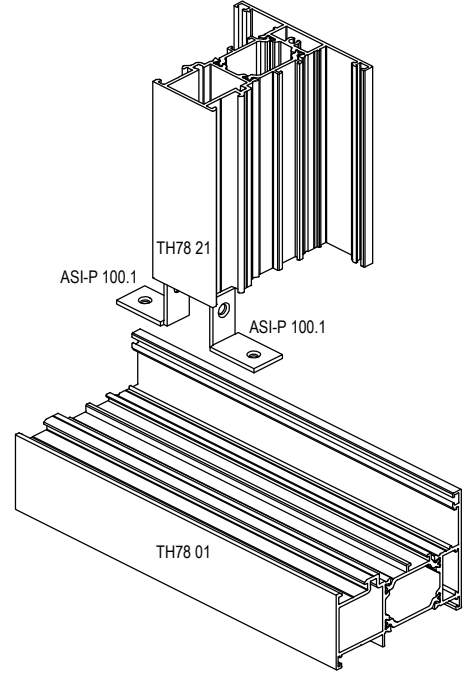
DİK (ORTA KAYIT) BAĞLANTI DETAYLARI

T JOINT DETAILS

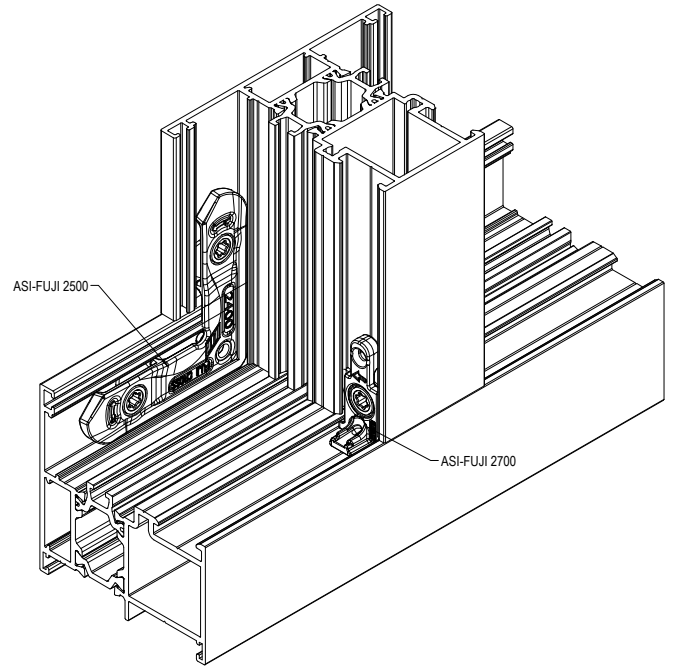
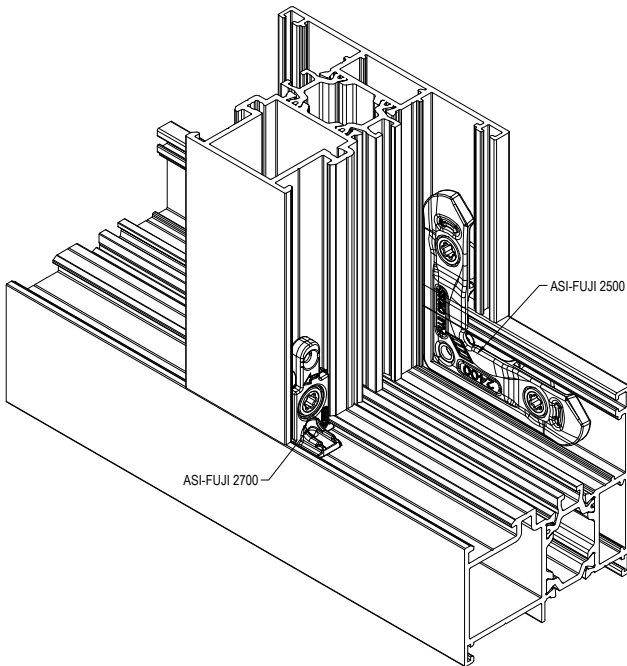
ÖNERİ : 1



ÖNERİ : 2



ÖNERİ : 3

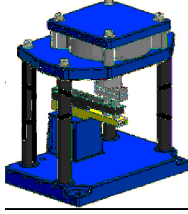


TH78 - THS78

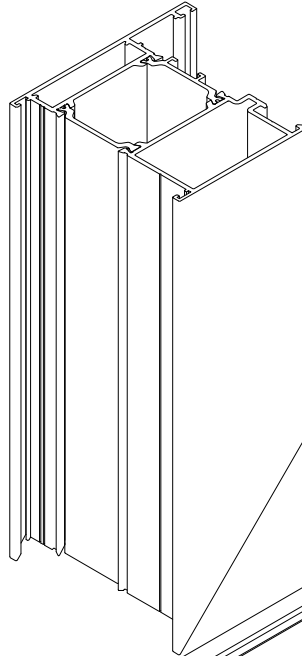
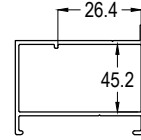
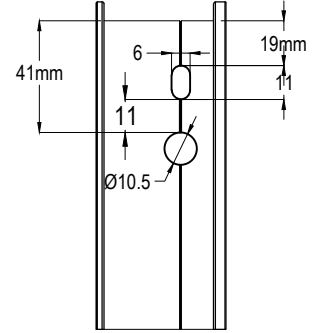
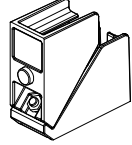
YALITIMLI KAPI-PENCERE SİSTEMİ
THERMAL WINDOW&DOOR SYSTEM



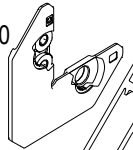
501 EKO PANÇ



Monticelli
ASI-PB 2650



ASI-FUJI 2000



ASI-SB 19

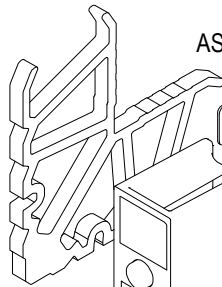


TH78 02

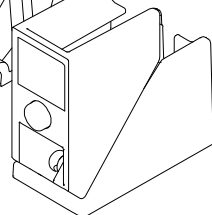
ASI-SB 19



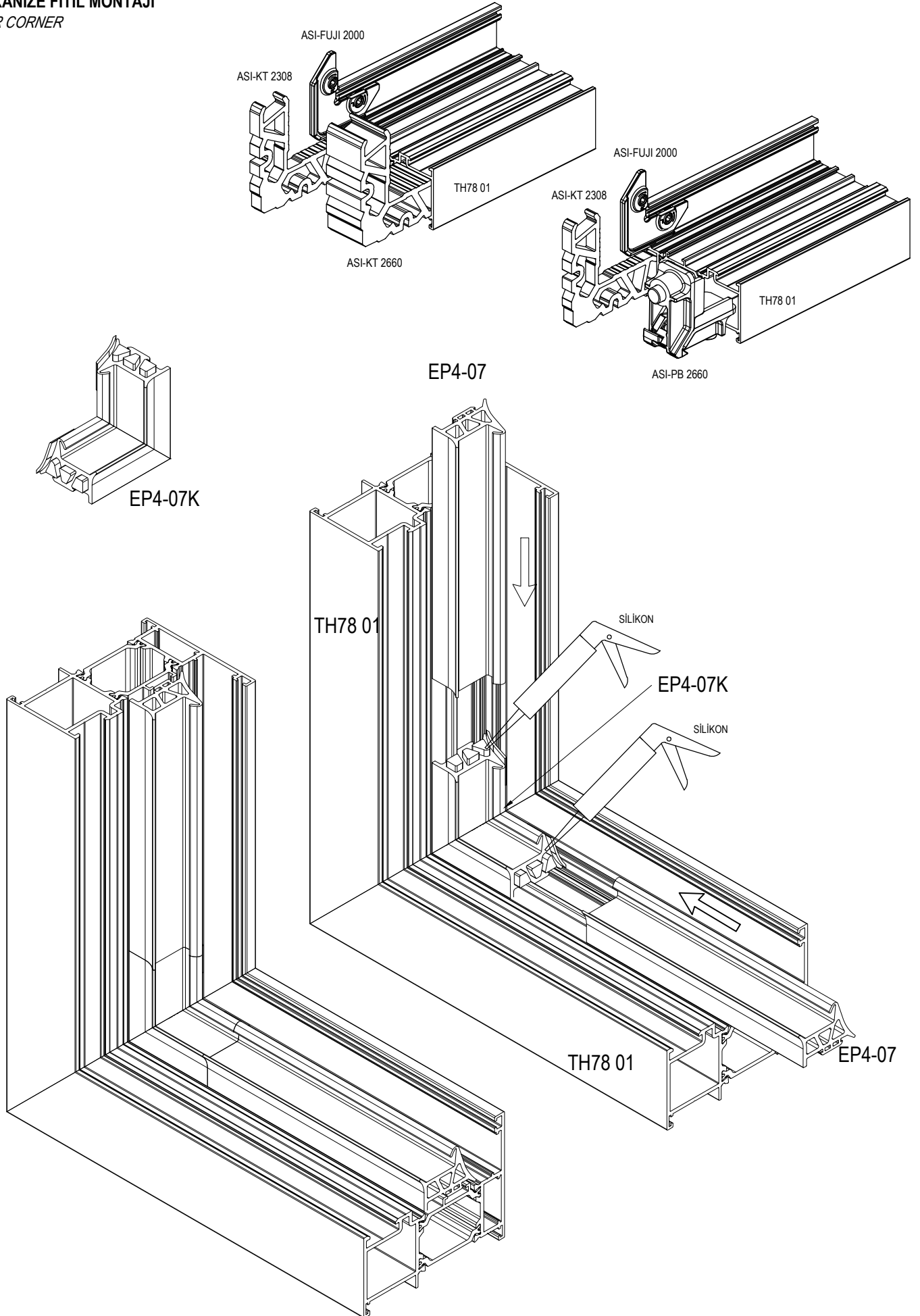
ASI-KT 4308



ASI-PB 2650



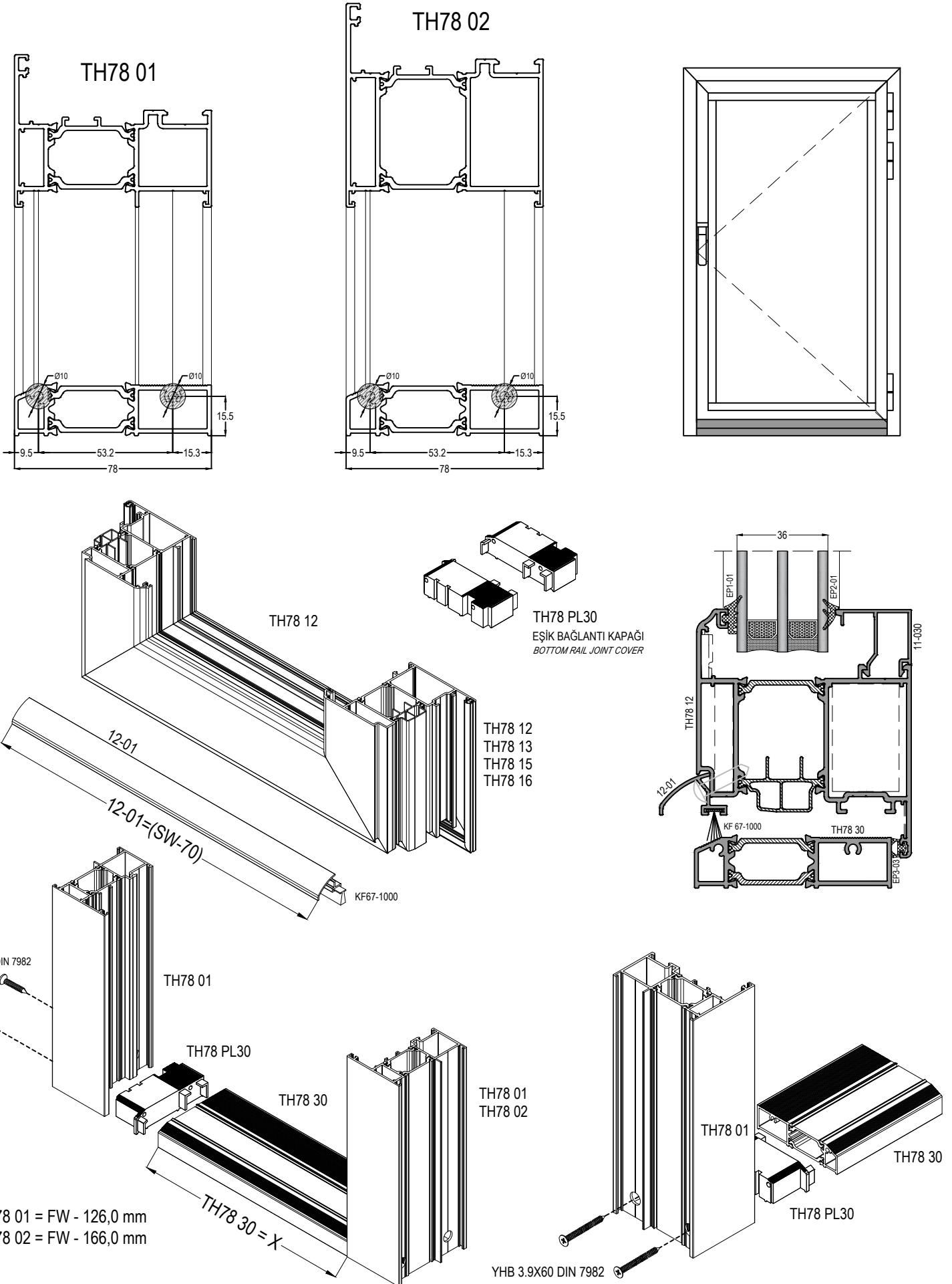
KÖŞE VULKANİZE FİTİL MONTAJI GASKET FOR CORNER



TH78 - THS78

YALITIMLI KAPI-PENCERE SİSTEMİ
THERMAL WINDOW&DOOR SYSTEM

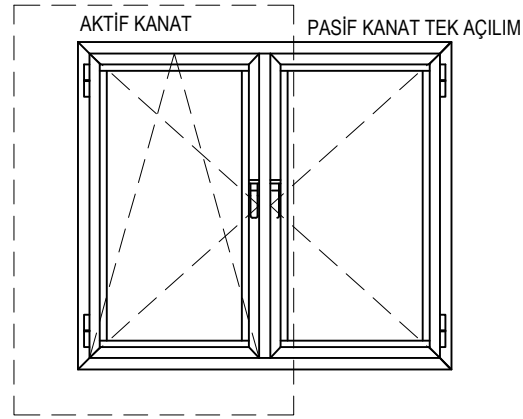
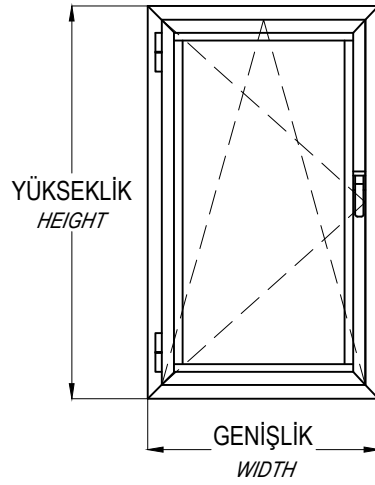
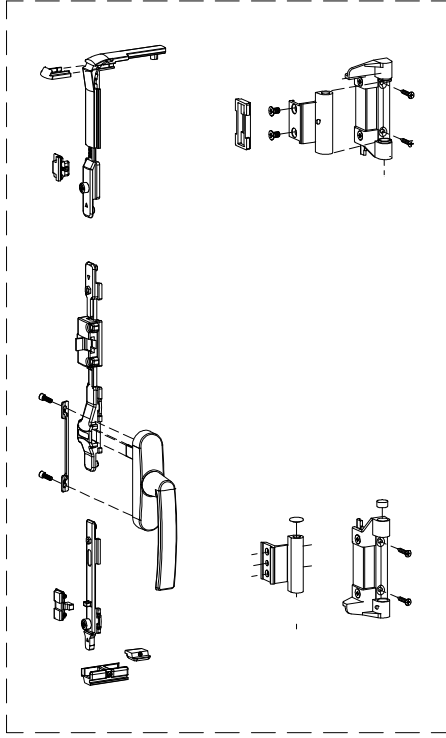
ASISTAL



ÇİFT EKSEN AÇILIM AKSESUAR KULLANIM TABLOSU / ALU - ALU TT

TILT&TURN OPENING ACCESSORIES TABLE

STANDART KİT / ASI-LTT-S01

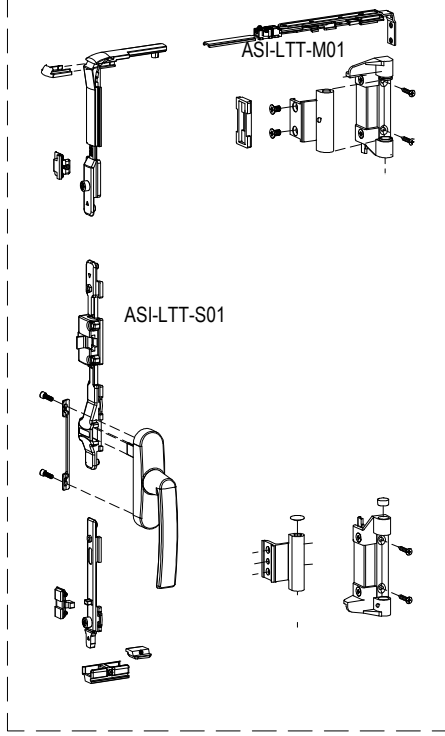


kanat eni	ASI-LTT-S01	ASI-LTT-M01	ASI-LTT-M02	ASI-LTT-M03	ASI-LTT-M04	ASI-LTT-B01
KANAT GENİŞLİK / Sash Widht : 345-400mm	X	X				
KANAT GENİŞLİK / Sash Widht : 401-540mm	X		X			
KANAT GENİŞLİK / Sash Widht : 541-1100mm	X			X		
KANAT GENİŞLİK / Sash Widht : 1100-1500mm	X			X	X	
KANAT YÜKSEKLİK / Sash Height : < 1400mm						X

ÇİFT EKSEN AÇILIM ÇİFT KANAT AKSESUAR KULLANIM TABLOSU / ALU - ALU TT

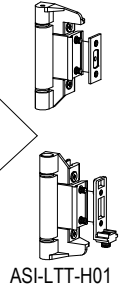
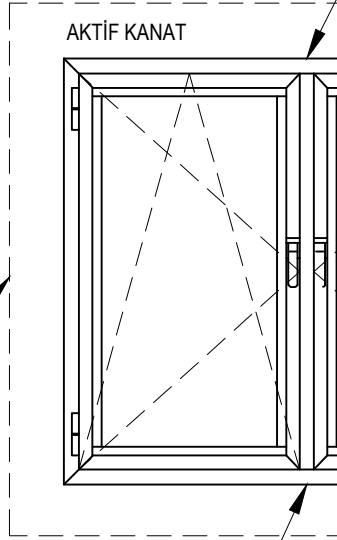
TILT&TURN OPENING ACCESSORIES TABLE

STANDART KİT / ASI-LTT-S01

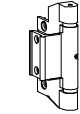


PASİF KANAT KİLİTLEME
Single Sash locking

AKTİF KANAT PASİF KANAT TEK AÇILIM

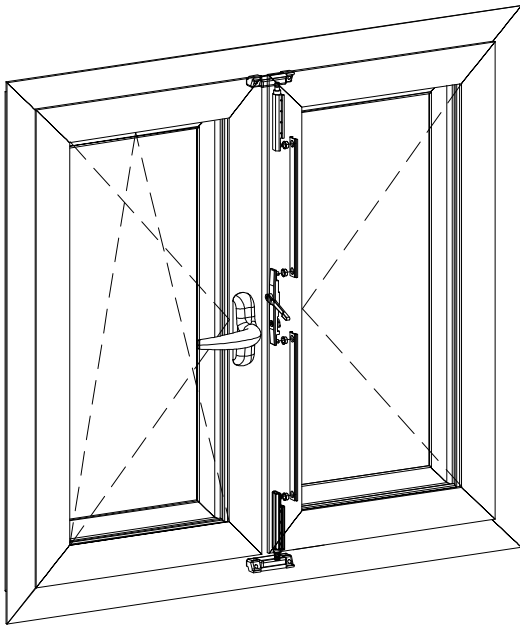


KANAT YÜKSELİĞİ >1400mm
sash height >1400mm



ASI-LTT-H02

ASI-LTT-K01



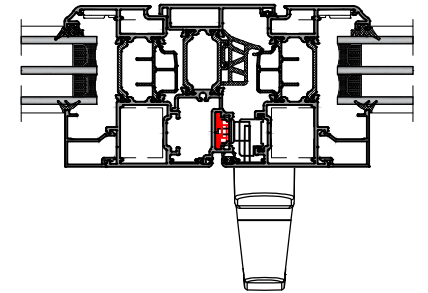
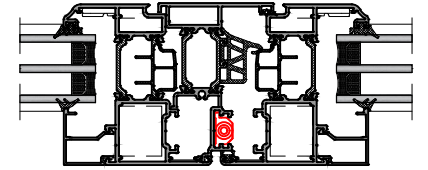
ASI-LTT-K01



12-41

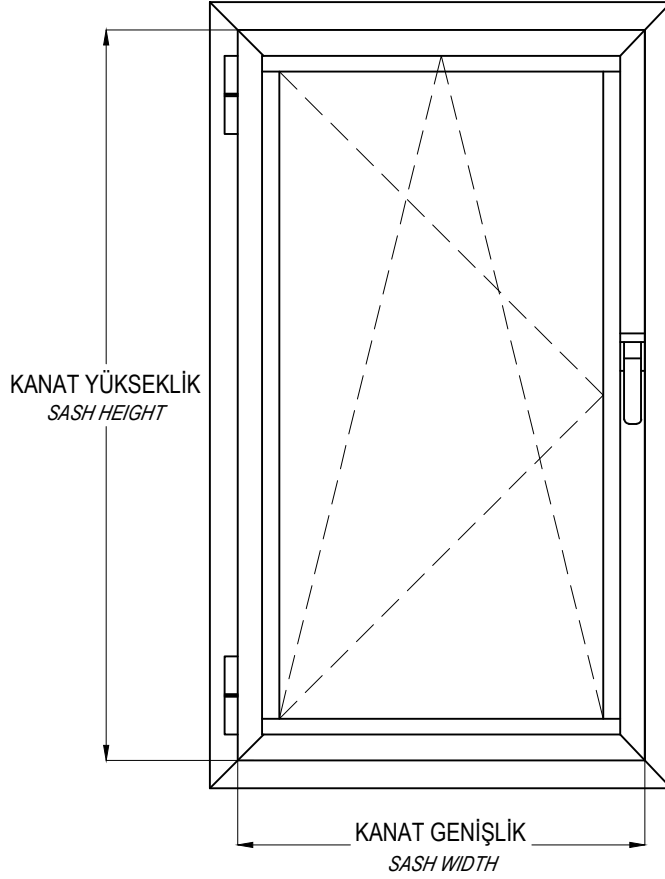


12-41



MULTI POINT SİSTEM (PVC KANALLI) ÇİFT EKSEN AÇILIM AKSESUAR TABLOSU

MULTI POINT SYSTEM TILT&TURN OPENING ACCESSORIES TABLE



MULTI POINT (PVC KANALLI) KİLİTLEME AKSESUAR SEÇİM TABLOSU

MULTI POINT SYSTEM ACCESSORIES TABLE

		GENİŞLİK - WIDTH				
		400-650mm	600-850mm	850-1100mm	1100-1350mm	1350mm-1600mm
YÜKSEKLİK- HEIGHT	450-700 mm	ASI-PVC TT 01	ASI-PVC TT 02	ASI-PVC TT 03	ASI-PVC TT 04	
	700-1200 mm	ASI-PVC TT 05	ASI-PVC TT 06	ASI-PVC TT 07	ASI-PVC TT 08	ASI-PVC TT 09
	1200-1400 mm	ASI-PVC TT 10	ASI-PVC TT 11	ASI-PVC TT 12	ASI-PVC TT 013	ASI-PVC TT 14
	1400-1700 mm	ASI-PVC TT 15	ASI-PVC TT 16	ASI-PVC TT 017	ASI-PVC TT 18	ASI-PVC TT 19
	1700-2400 mm	ASI-PVC TT 20	ASI-PVC TT 21	ASI-PVC TT 22	ASI-PVC TT 23	ASI-PVC TT 24

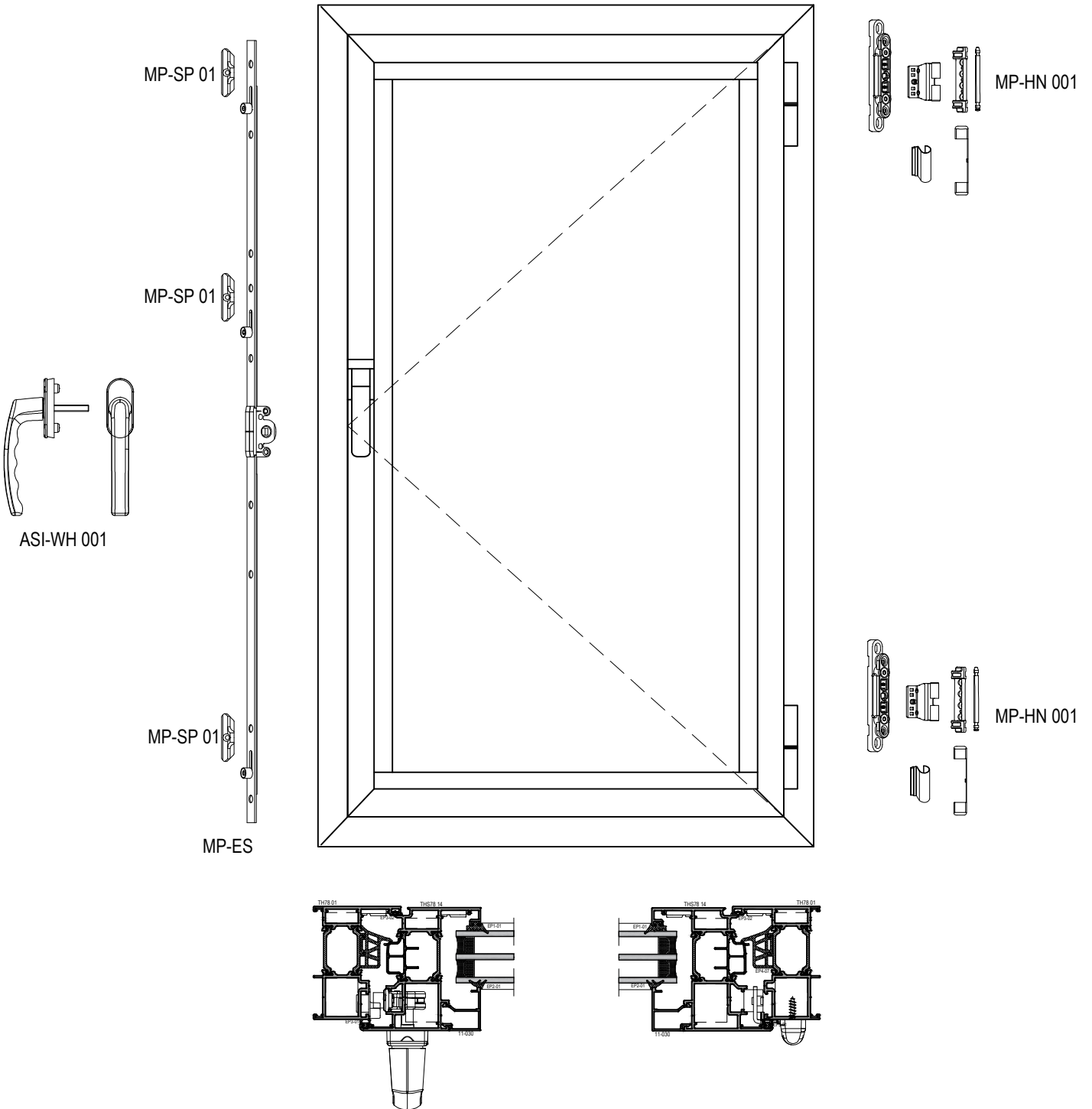
TH78 - THS78

YALITIMLI KAPI-PENCERE SİSTEMİ
THERMAL WINDOW&DOOR SYSTEM



MULTI POINT SİSTEM (PVC KANALLI) TEK EKSEN AÇILIM AKSESUARLARI

MULTI POINT SYSTEM SINGLE OPENING WINDOW ACCESSORIES



MULTI POINT SİSTEM (PVC KANALLI) TEK KANAT AÇILIM KAPI AKSESUARLARI

MULTI POINT SYSTEM INNER / OUTER OPENING DOOR ACCESSORIES

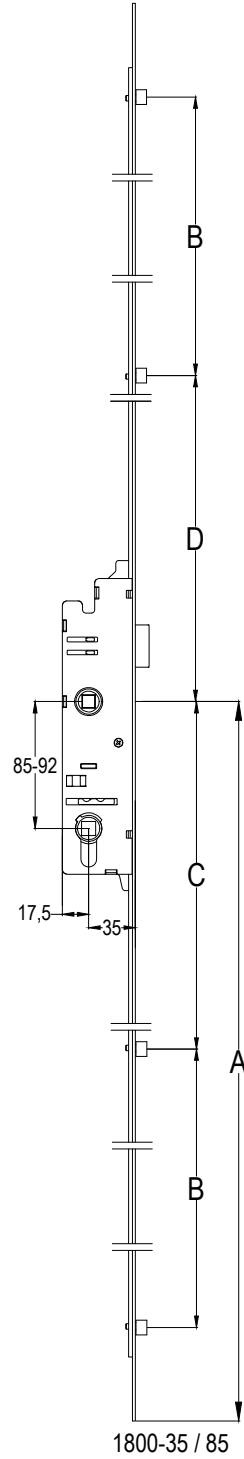
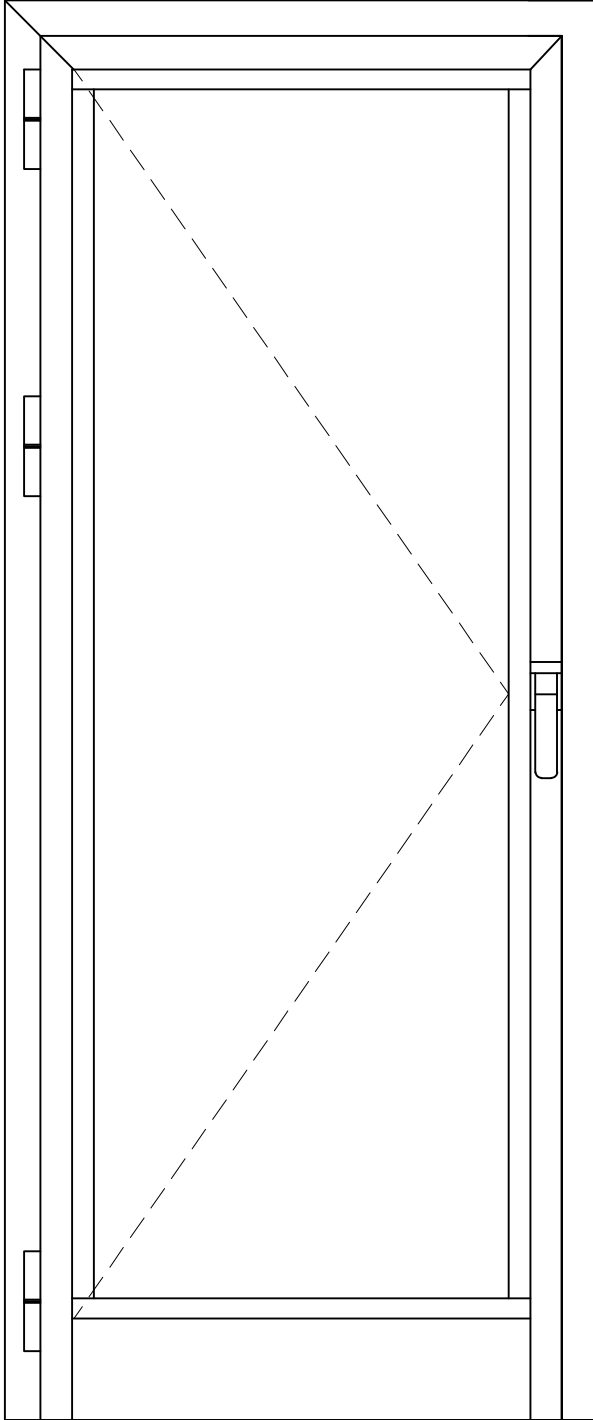
MP-HN 002



MP-HN 002



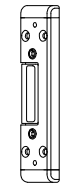
MP-HN 002



MP-SP 01

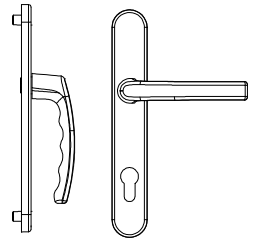


MP-SP 01



MP-SP 02

ASI-BRL 116



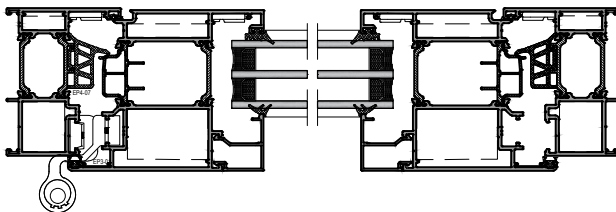
ASI-DH 001



MP-SP 01



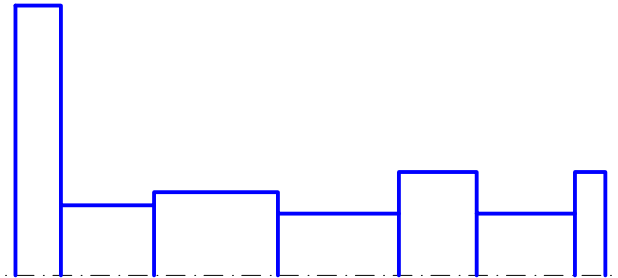
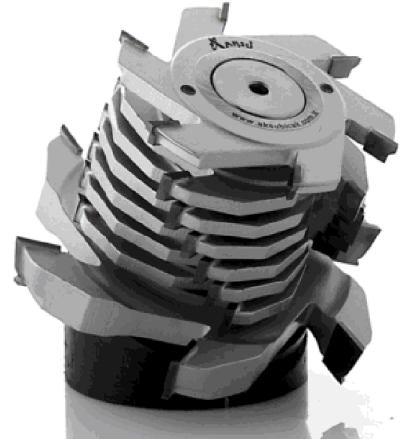
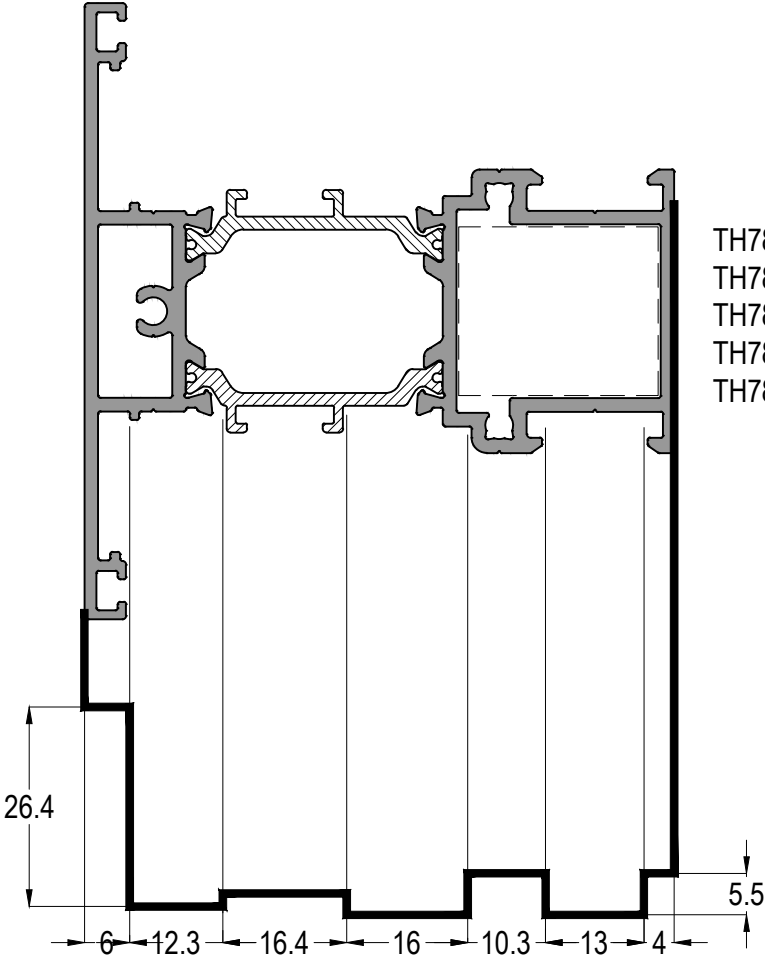
MP-SP 01



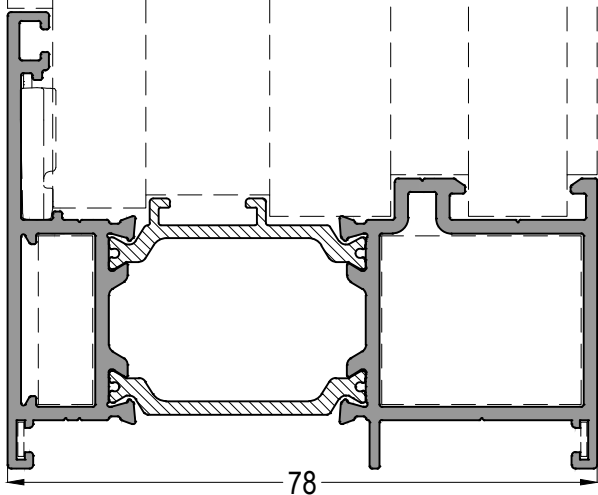
TH78 - THS78

YALITIMLI KAPI-PENCERE SİSTEMİ
THERMAL WINDOW&DOOR SYSTEM

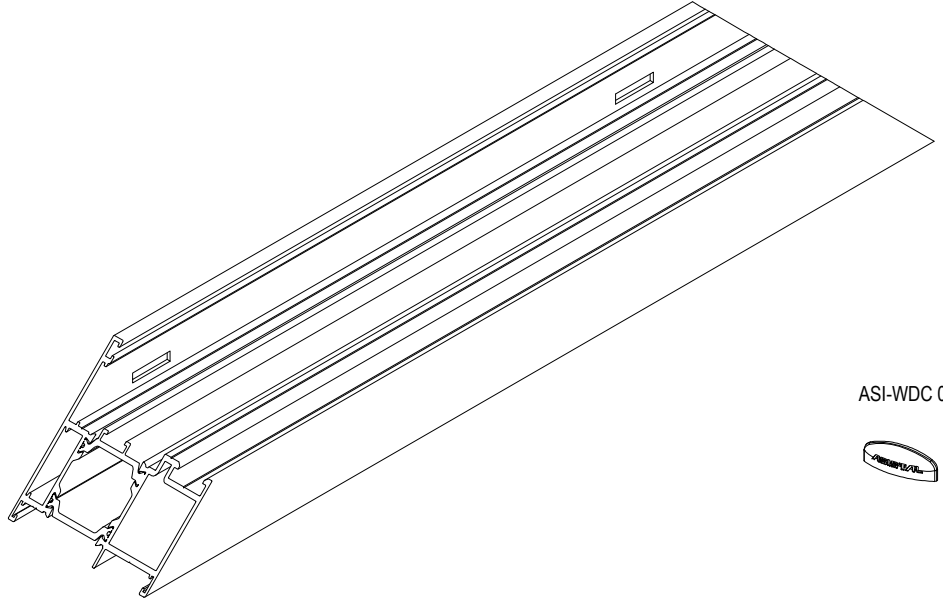
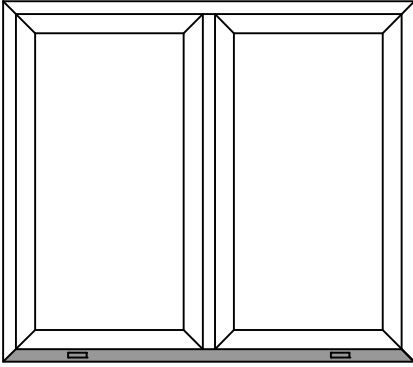
ASISTAL



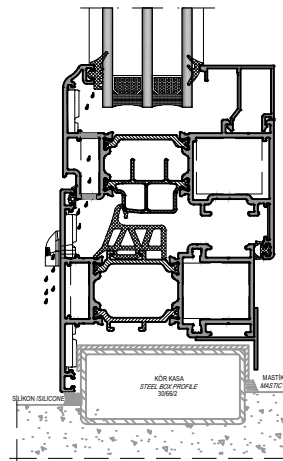
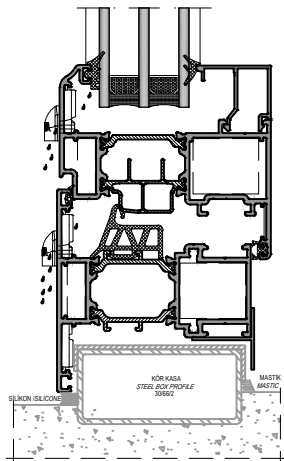
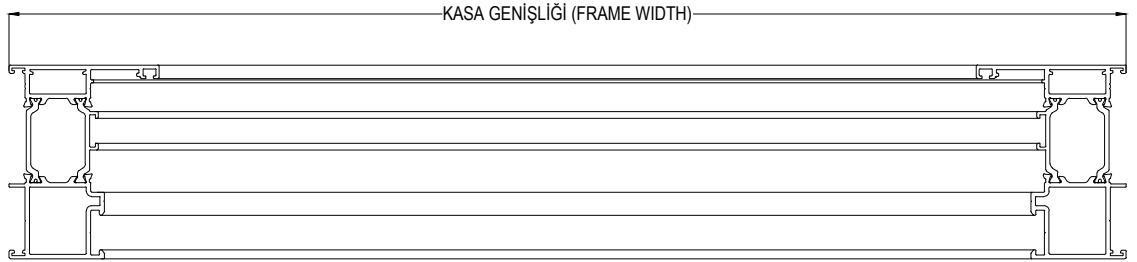
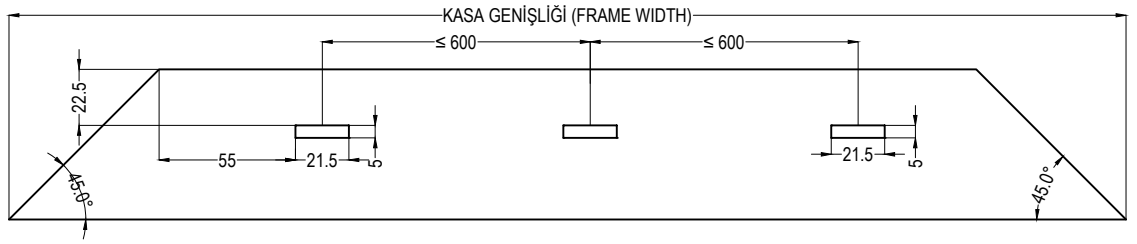
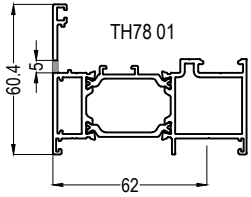
AKSU BIÇAK firmasına göre ölçülandırılmıştır.
Dimensions are given AKSU BIÇAK company
www.aksubicak.com.tr



SU TAHLİYE DELİK İŞLEMLERİ WATER DRAINAGE HOLE OPERATIONS



ASI-WDC 01

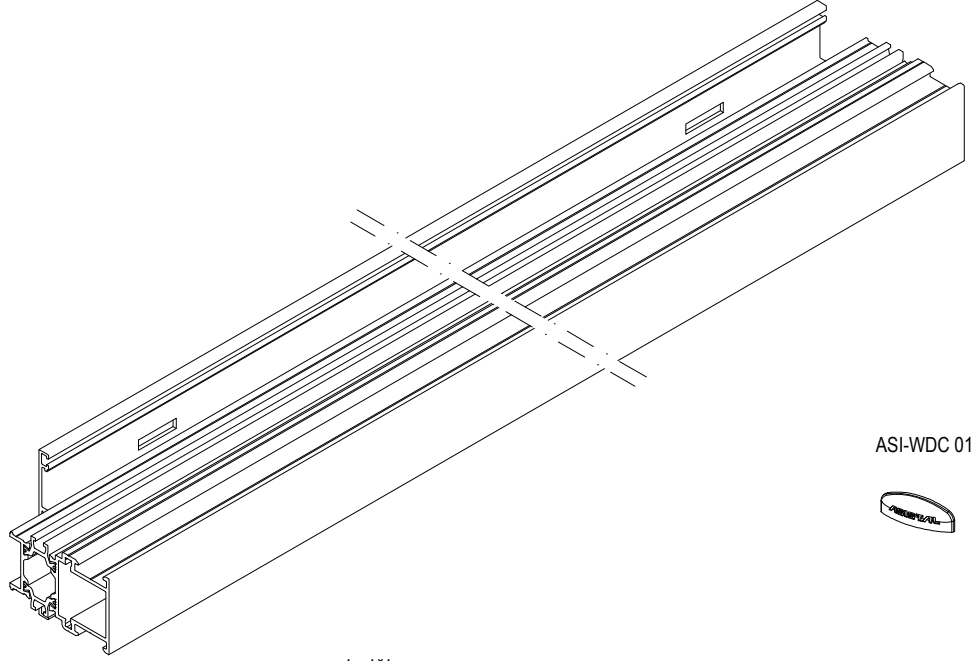
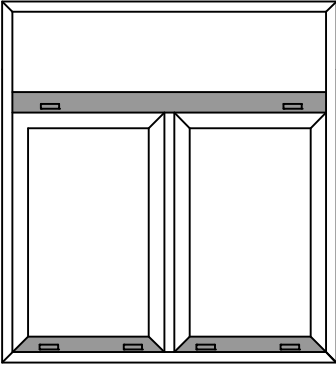


TH78 - THS78

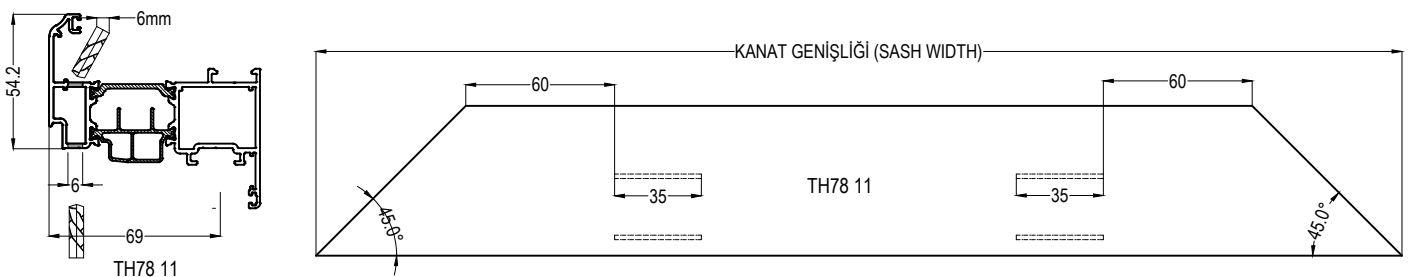
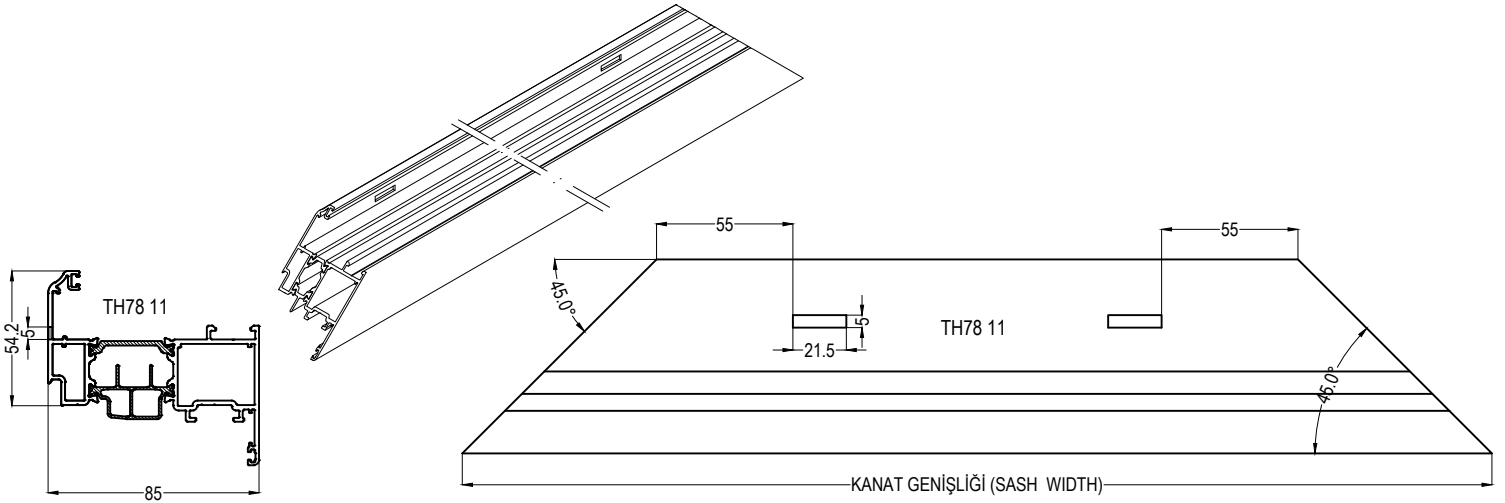
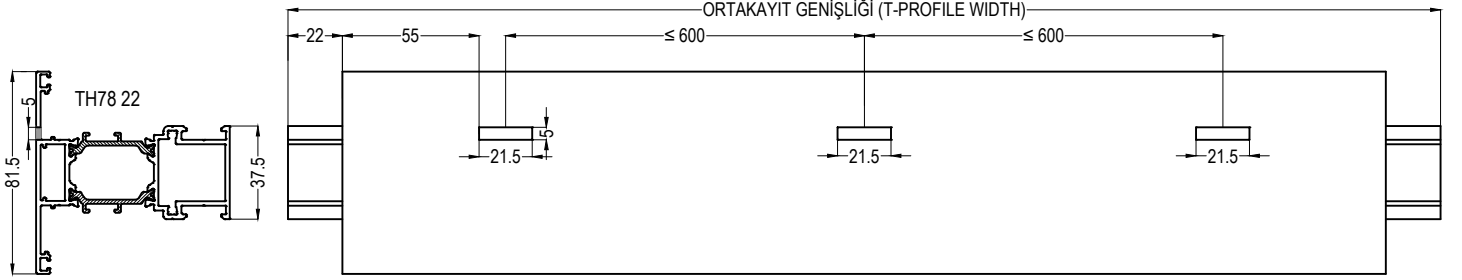
YALITIMLI KAPI-PENCERE SİSTEMİ
THERMAL WINDOW&DOOR SYSTEM

ASISTAL

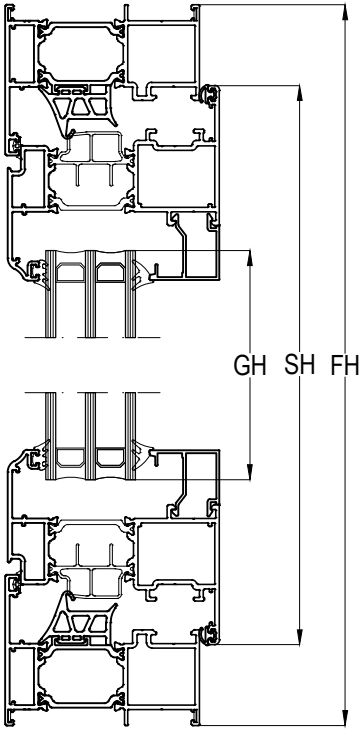
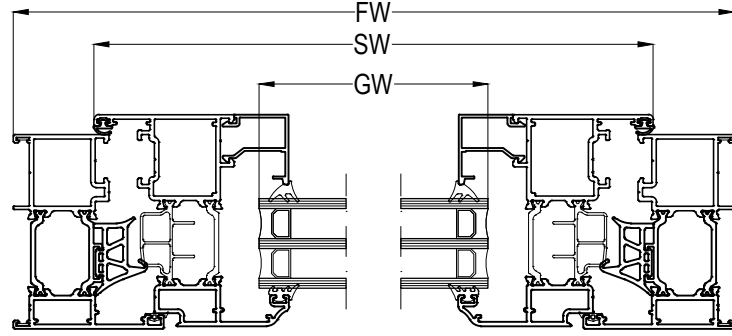
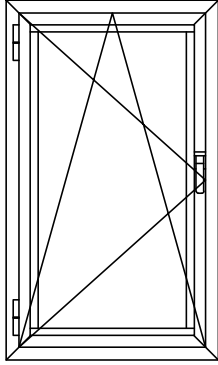
SU TAHLİYE DELİK İŞLEMLERİ WATER DRAINAGE HOLE OPERATIONS



ASI-WDC 01



TEK KANAT AÇILIM KESİM ÖLÇÜLERİ SINGLE SASH CUTTING SIZES



KASA PROFİLİ FRAME PROFILE	KANAT PROFİLİ SASH PROFILE	KESİM ÖLÇÜLERİ CUTTING SIZES
TH78 01 TH78 01 TH78 01	TH78 11 THS78 11 TH78 18	SW = FW - 64,8mm GW = SW - 122,4mm SH = FH - 64,8mm GH = SH - 122,4mm
TH78 01 TH78 01	TH78 12 THS78 12	SW = FW - 64,8mm GW = SW - 162,8mm SH = FH - 64,8mm GH = SH - 162,8mm
TH78 02 TH78 02 TH78 02	TH78 11 THS78 11 TH78 18	SW = FW - 105,2mm GW = SW - 122,4mm SH = FH - 105,2mm GH = SH - 122,4mm
TH78 02 TH78 02	TH78 12 THS78 12	SW = FW - 105,2mm GW = SW - 162,8mm SH = FH - 105,2mm GH = SH - 162,8mm

FW= KASA GENİŞLİĞİ / FRAME WIDTH

SW= KANAT GENİŞLİĞİ / SASH WIDTH

GW= CAM GENİŞLİĞİ / GLASS WIDTH

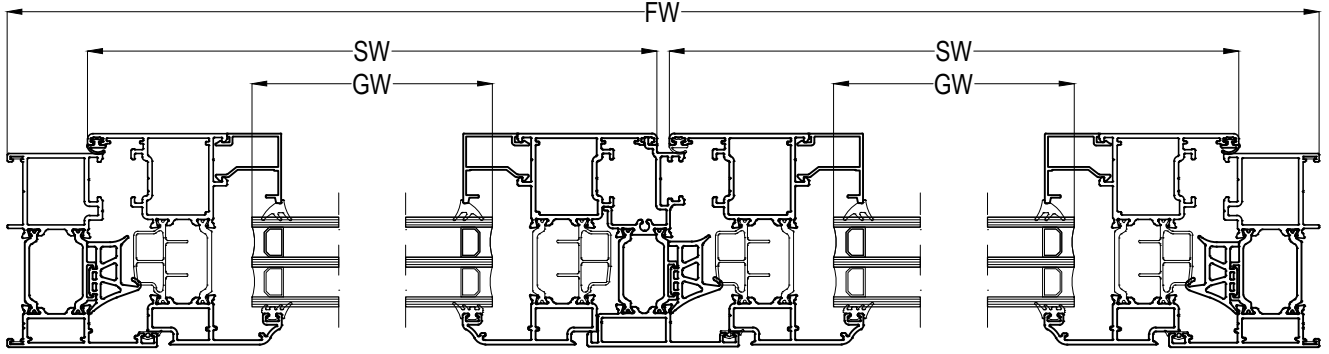
FH= KASA YÜKSEKLİĞİ / FRAME HEIGHT

SH= KANAT YÜKSEKLİĞİ / SASH HEIGHT

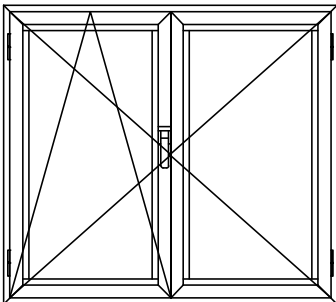
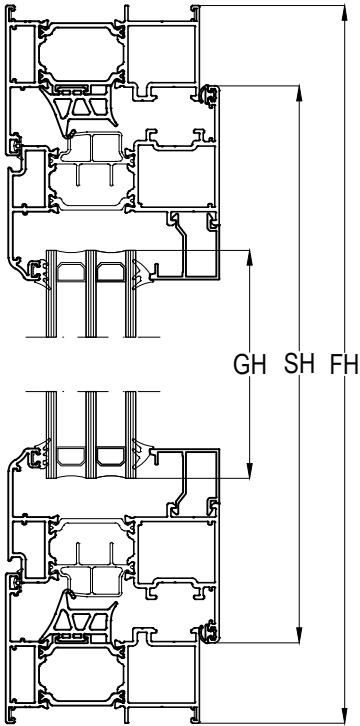
GH= CAM YÜKSEKLİĞİ / GLASS HEIGHT

ÇİFT KANAT AÇILIM KESİM ÖLÇÜLERİ

DOUBLE SASH CUTTING SIZES



ADAPTÖR PROFİLİ
TH78 41 = SH - 72,6mm



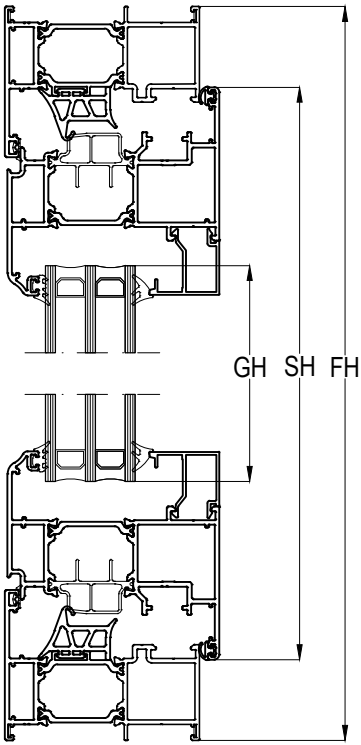
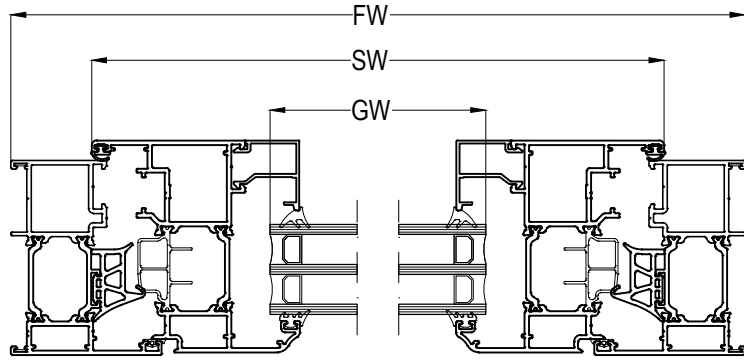
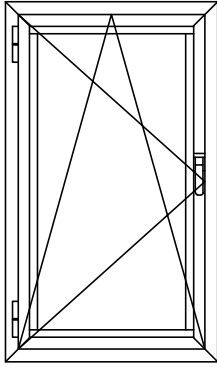
KASA PROFİLİ FRAME PROFILE	KANAT PROFİLİ SASH PROFILE	KESİM ÖLÇÜLERİ CUTTING SIZES
TH78 01 TH78 01 TH78 01	TH78 11 THS78 11 TH78 18	SW = FW / 2 - 34,9mm GW = SW - 122,4mm SH = FH - 64,8mm GH = SH - 122,4mm
TH78 01 TH78 01	TH78 12 THS78 12	SW = FW / 2 - 34,9mm GW = SW - 162,8mm SH = FH - 64,8mm GH = SH - 162,8mm
TH78 02 TH78 02 TH78 02	TH78 11 THS78 11 TH78 18	SW = FW / 2 - 55,1mm GW = SW - 122,4mm SH = FH - 105,2mm GH = SH - 122,4mm
TH78 02 TH78 02	TH78 12 THS78 12	SW = FW / 2 - 55,1mm GW = SW - 162,8mm SH = FH - 105,2mm GH = SH - 162,8mm

FW= KASA GENİŞLİĞİ / FRAME WIDTH
SW= KANAT GENİŞLİĞİ / SASH WIDTH
GW= CAM GENİŞLİĞİ / GLASS WIDTH

FH= KASA YÜKSEKLİĞİ / FRAME HEIGHT
SH= KANAT YÜKSEKLİĞİ / SASH HEIGHT
GH= CAM YÜKSEKLİĞİ / GLASS HEIGHT

MULTI POINT (PVC KANALLI) TEK KANAT AÇILIM KESİM ÖLÇÜLERİ

MULTI POINT SINGLE SASH CUTTING SIZES



KASA PROFİLİ FRAME PROFILE	KANAT PROFİLİ SASH PROFILE	KESİM ÖLÇÜLERİ CUTTING SIZES
TH78 01 TH78 01	TH78 14 THS78 14	SW = FW - 64,8mm GW = SW - 133mm SH = FH - 64,8mm GH = SH - 133mm
TH78 01 TH78 01	TH78 15 THS78 15	SW = FW - 64,8mm GW = SW - 173,4mm SH = FH - 64,8mm GH = SH - 173,4mm
TH78 02 TH78 02	TH78 14 THS78 14	SW = FW - 105,2mm GW = SW - 133mm SH = FH - 105,2mm GH = SH - 133mm
TH78 02 TH78 02	TH78 15 THS78 15	SW = FW - 105,2mm GW = SW - 173,4mm SH = FH - 105,2mm GH = SH - 173,4mm

FW= KASA GENİŞLİĞİ / FRAME WIDTH

SW= KANAT GENİŞLİĞİ / SASH WIDTH

GW= CAM GENİŞLİĞİ / GLASS WIDTH

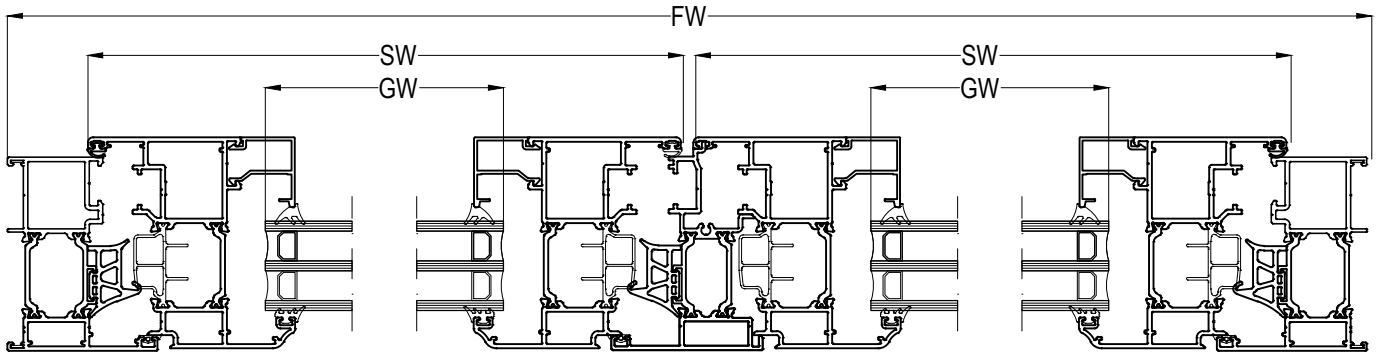
FH= KASA YÜKSEKLİĞİ / FRAME HEIGHT

SH= KANAT YÜKSEKLİĞİ / SASH HEIGHT

GH= CAM YÜKSEKLİĞİ / GLASS HEIGHT

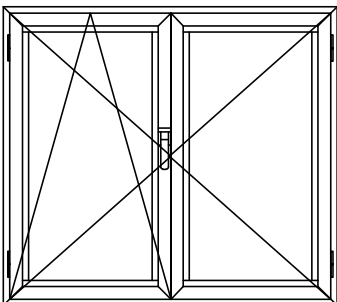
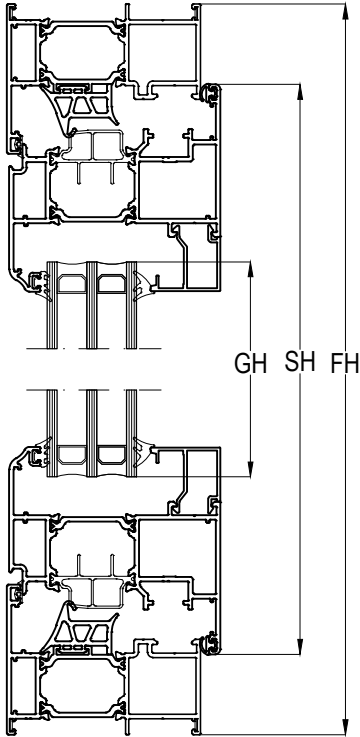
MULTI POINT (PVC KANALLI) ÇİFT KANAT AÇILIM KESİM ÖLÇÜLERİ

MULTI POINT DOUBLE SASH CUTTING SIZES



ADAPTÖR PROFİLİ

TH78 42 = SH - 72,6mm



KASA PROFİLİ FRAME PROFILE	KANAT PROFİLİ SASH PROFILE	KESİM ÖLÇÜLERİ CUTTING SIZES
TH78 01 TH78 01	TH78 14 THS78 14	SW = FW / 2 - 34,9mm GW = SW - 133mm SH = FH - 64,8mm GH = SH - 133mm
TH78 01 TH78 01	TH78 15 THS78 15	SW = FW / 2 - 34,9mm GW = SW - 173,4mm SH = FH - 64,8mm GH = SH - 173,4mm
TH78 02 TH78 02	TH78 14 THS78 14	SW = FW / 2 - 55,1mm GW = SW - 133mm SH = FH - 105,2mm GH = SH - 133mm
TH78 02 TH78 02	TH78 15 THS78 15	SW = FW / 2 - 55,1mm GW = SW - 173,4mm SH = FH - 105,2mm GH = SH - 173,4mm

FW= KASA GENİŞLİĞİ / FRAME WIDTH
SW= KANAT GENİŞLİĞİ / SASH WIDTH
GW= CAM GENİŞLİĞİ / GLASS WIDTH

FH= KASA YÜKSEKLİĞİ / FRAME HEIGHT
SH= KANAT YÜKSEKLİĞİ / SASH HEIGHT
GH= CAM YÜKSEKLİĞİ / GLASS HEIGHT