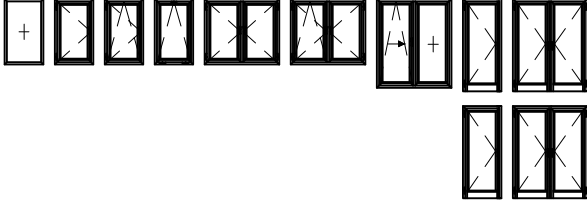


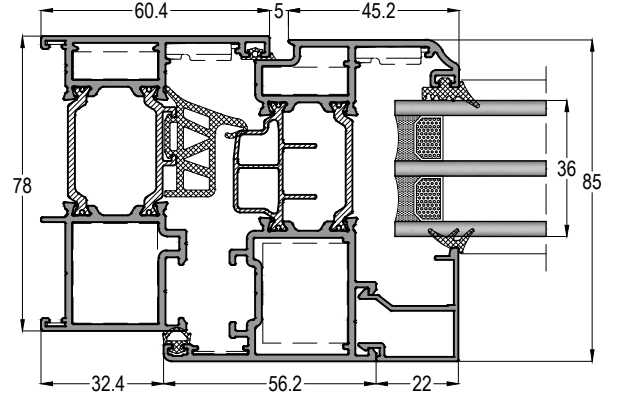
TH78 - THS78

YALITIMLI KAPI-PENCERE SİSTEMİ
THERMAL WINDOW & DOOR SYSTEM



İÇE AÇILIR
INWARD OPENING

DIŞA AÇILIR
OUTWARD OPENING



KASA GENİŞLİĞİ : 78 mm

Frame Width

KANAT DERİNLİĞİ : 85 mm

Sash Depth

SİSTEM ET KALINLIĞI : 1,6 mm - 1,8 mm - 2 mm

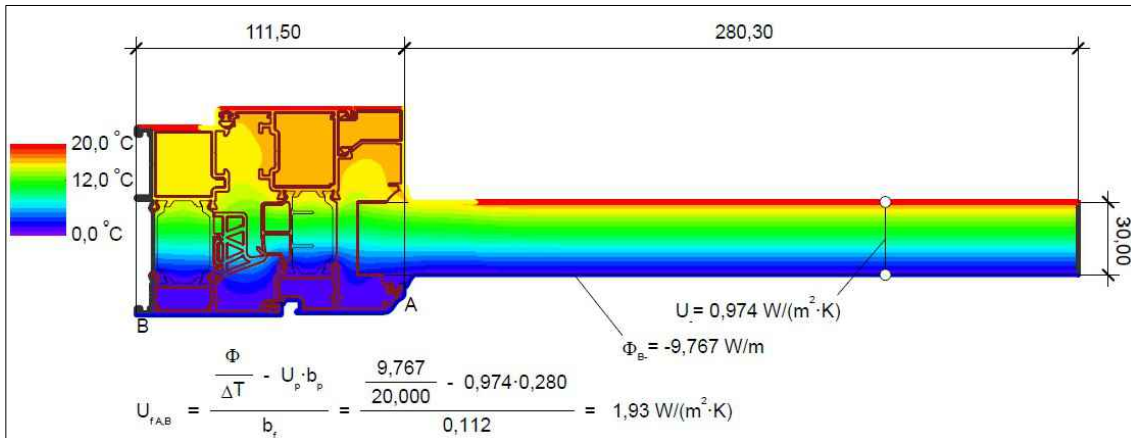
System Wall Thickness

ISI BARIYERİ : 34 mm

Insulation Barrier

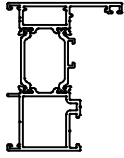
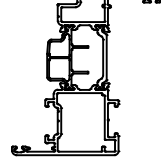
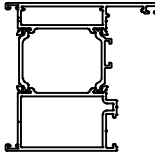
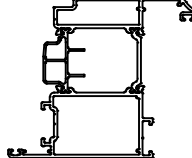
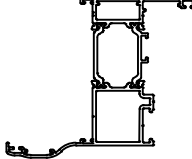
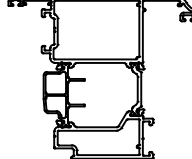
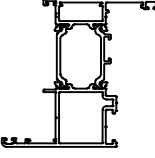
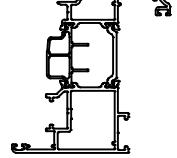
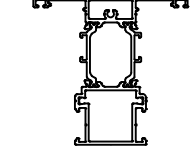
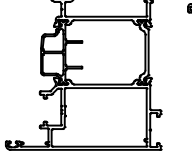
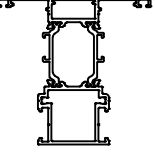
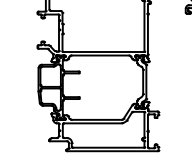
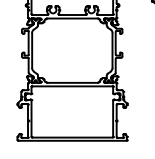
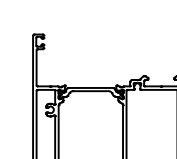
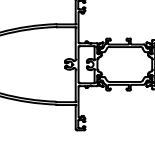
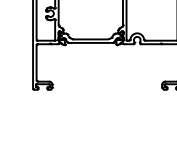
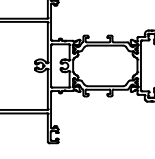
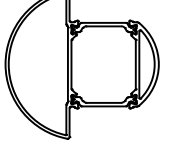
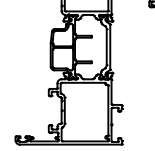
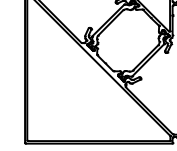



CAM KALINLIĞI : 20 - 62 mm

Glass Thickness



PROFİL VE AKSESUAR LİSTELERİ
PROFILE & ACCESSORIES LISTS

PROFİL LİSTESİ / 1,8 mm - PROFILES LIST / 1,8 mm

TH78 01	Jx cm ⁴	Jy cm ⁴		TH78 18	Jx cm ⁴	Jy cm ⁴	
	45,72	12,61			62,90	17,32	
KASA PROFİLİ-60 mm <i>FRAME PROFILE</i>	AĞIRLIK / Weight			KANAT PROFİLİ <i>SASH PROFILE</i>	AĞIRLIK / Weight		
	1,600 kg/mt				1,867 kg/mt		
TH78 02	Jx cm ⁴	Jy cm ⁴		TH78 12	Jx cm ⁴	Jy cm ⁴	
	58,71	35,34			78,72	48,38	
KASA PROFİLİ-80 mm <i>FRAME PROFILE</i>	AĞIRLIK / Weight			İÇE AÇILIR KAPI KANAT PROFİLİ <i>INNER OPENING DOOR SASH PROFILE</i>	AĞIRLIK / Weight		
	1,971 kg/mt				2,276 kg/mt		
TH78 03	Jx cm ⁴	Jy cm ⁴		TH78 13	Jx cm ⁴	Jy cm ⁴	
	60,71	26,87			77,57	48,50	
PERVAZLI KASA PROFİLİ <i>FRAME PROFILE</i>	AĞIRLIK / Weight			DIŞA AÇILIR KAPI KANAT PROFİLİ <i>OUTWARD OPENING DOOR SASH PROFILE</i>	AĞIRLIK / Weight		
	1,782 kg/mt				2,320 kg/mt		
TH78 04	Jx cm ⁴	Jy cm ⁴		TH78 14	Jx cm ⁴	Jy cm ⁴	
	54,05	18,25			67,53	24,33	
PERVAZLI KASA PROFİLİ <i>FRAME PROFILE</i>	AĞIRLIK / Weight			KANAT PROFİLİ MULTI POINT SİSTEM <i>SASH PROFILE-MULTI POINT</i>	AĞIRLIK / Weight		
	1,736 kg/mt				2,002 kg/mt		
TH78 21	Jx cm ⁴	Jy cm ⁴		TH78 15	Jx cm ⁴	Jy cm ⁴	
	51,99	18,69			82,88	57,68	
ORTA KAYIT PROFİLİ 81 mm (vidalı) <i>TRANSOM-MULLION PROFILE</i>	AĞIRLIK / Weight			İÇE AÇILIR KAPI KANAT PROFİLİ-MULTI POINT <i>INNER OPENING DOOR SASH PROFILE-MULTI POINT</i>	AĞIRLIK / Weight		
	1,835 kg/mt				2,396 kg/mt		
TH78 22	Jx cm ⁴	Jy cm ⁴		TH78 16	Jx cm ⁴	Jy cm ⁴	
	51,41	18,72			81,87	58,04	
ORTA KAYIT PROFİLİ 81 mm <i>TRANSOM-MULLION PROFILE</i>	AĞIRLIK / Weight			DIŞA AÇILIR KAPI KANAT PROFİLİ-MULTI POINT <i>OUTWARD OPENING DOOR SASH PROFILE-MULTI POINT</i>	AĞIRLIK / Weight		
	1,798 kg/mt				2,442 kg/mt		
TH78 23	Jx cm ⁴	Jy cm ⁴		TH78 31	Jx cm ⁴	Jy cm ⁴	
	66,23	47,51			136,54	92,88	
ORTA KAYIT PROFİLİ 102 mm <i>TRANSOM-MULLION PROFILE</i>	AĞIRLIK / Weight			ETEK PROFİLİ-130 mm <i>BOTTOM PLATE PROFILE</i>	AĞIRLIK / Weight		
	2,250 kg/mt				2,917 kg/mt		
TH78 24	Jx cm ⁴	Jy cm ⁴		TH78 30			
	223,24	29,97			AĞIRLIK / Weight		
TAKVİYELİ ORTA KAYIT PROFİLİ <i>SUPPORTED MULLION PROFILE</i>	AĞIRLIK / Weight			EŞİK PROFİLİ <i>BOTTOM RAIL PROFILE</i>	AĞIRLIK / Weight		
	2,856 kg/mt				1,117 kg/mt		
TH78 25	Jx cm ⁴	Jy cm ⁴		TH78 52	Jx cm ⁴	Jy cm ⁴	
	135,67	29,50			31,05	43,95	
TAKVİYELİ ORTA KAYIT PROFİLİ <i>SUPPORTED MULLION PROFILE</i>	AĞIRLIK / Weight			EKSENEL DÖNÜŞ PROFİLİ <i>CORNER PROFILE</i>	AĞIRLIK / Weight		
	2,626 kg/mt				1,761 kg/mt		
TH78 11	Jx cm ⁴	Jy cm ⁴		TH78 53	Jx cm ⁴	Jy cm ⁴	
	63,31	19,21			44,84	52,74	
KANAT PROFİLİ <i>SASH PROFILE</i>	AĞIRLIK / Weight			90° KÖŞE PROFİLİ <i>CORNER PROFILE</i>	AĞIRLIK / Weight		
	1,882 kg/mt				1,911 kg/mt		

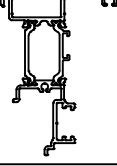
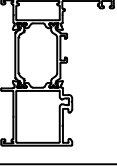
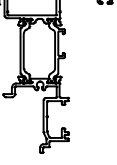
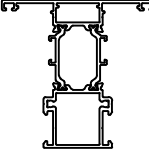
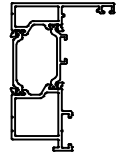
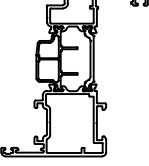
TH78 - 1,8 / 1,6mm

YALITIMLI KAPI-PENCERE SİSTEMİ
THERMAL WINDOW&DOOR SYSTEM

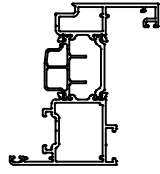
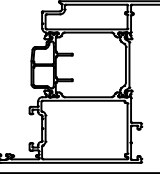
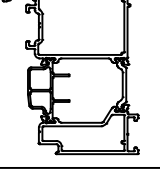
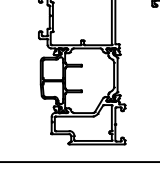
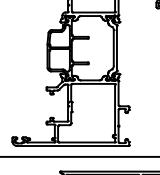
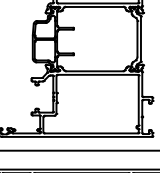
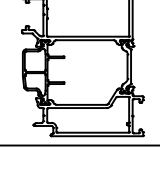
ASISTAL

PROFİL LİSTESİ / 1,8 mm - PROFILES LIST / 1,8 mm

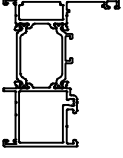
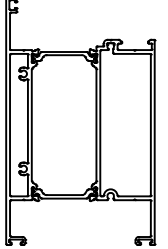
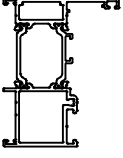
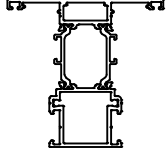
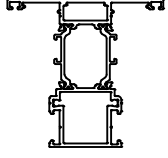
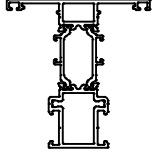
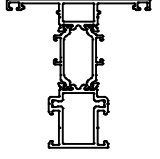
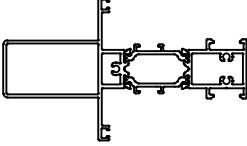
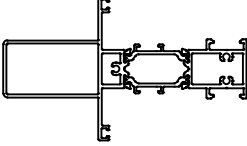
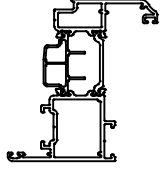
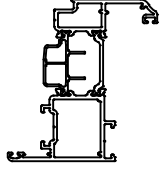
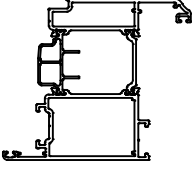
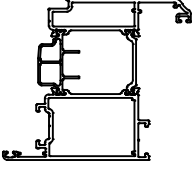
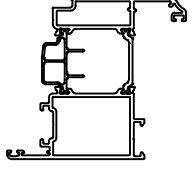
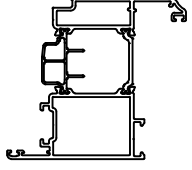
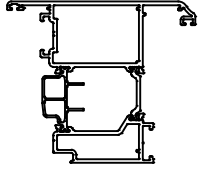
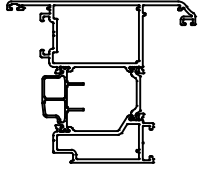
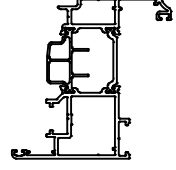
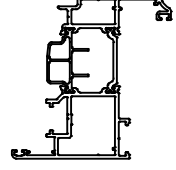
PROFİL LİSTESİ / 1,6 mm - PROFILES LIST / 1,6 mm

TH78 41			TH78 161		
ÇİFT KANAT ADAPTÖR PROFİLİ <i>DOUBLE SASH ADAPTER PROFILE</i>	AĞIRLIK / Weight 1,388 kg/mt		1,6 mm -KASA PROFİLİ <i>FRAME PROFILE</i>	AĞIRLIK / Weight 1,481 kg/mt	
TH78 42			TH78 162		
ÇİFT KANAT ADAPTÖR PROFİLİ-MULTI POINT <i>DOUBLE SASH ADAPTER PROFILE - MULTI POINT</i>	AĞIRLIK / Weight 1,418 kg/mt		1,6 mm - ORTA KAYIT PROFİLİ <i>TRANSOM/MULLION PROFILE</i>	Jx cm ⁴ 47,16	
TH78 43			TH78 163		
DIŞA AÇILIR KAPI ADAPTÖR PROFİLİ <i>OUTWARD OPENING DOOR ADAPTER PROFILE</i>	AĞIRLIK / Weight 1,473 kg/mt		1,6 mm-KANAT PROFİLİ <i>1,6 mm SASH PROFILE</i>	AĞIRLIK / Weight 1,792 kg/mt	






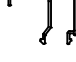

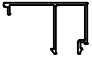
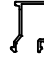










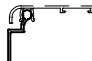
PROFİL LİSTESİ "S" SERİSİ - PROFILES LIST "S" SERIES

THS78 11	Jx cm ⁴	Jy cm ⁴			
	64,56	20,31			
KANAT PROFİLİ-DÜZ <i>SASH PROFILE-FLAT</i>	AĞIRLIK / Weight				
	1,896 kg/mt				
THS78 12	Jx cm ⁴	Jy cm ⁴			
	79,89	50,09			
İÇE AÇILIR KAPI KANAT PROFİLİ-DÜZ <i>INNER OPENING DOOR SASH PROFILE-FLAT</i>	AĞIRLIK / Weight				
	2,290 kg/mt				
THS78 13	Jx cm ⁴	Jy cm ⁴			
	78,73	50,17			
DIŞA AÇILIR KAPI KANAT PROFİLİ - DÜZ <i>OUTWARD OPENING DOOR SASH PROFILE</i>	AĞIRLIK / Weight				
	2,312 kg/mt				
THS78 17	AĞIRLIK / Weight				
	2,087 kg/mt				
THS78 14	Jx cm ⁴	Jy cm ⁴			
	68,77	25,58			
KANAT PROFİLİ-DÜZ MULTI POINT SİSTEM <i>SASH PROFILE-MULTI POINT</i>	AĞIRLIK / Weight				
	2,016 kg/mt				
THS78 15	Jx cm ⁴	Jy cm ⁴			
	84,10	59,64			
İÇE AÇILIR KAPI KANAT PROFİLİ-MULTI POINT <i>INNER OPENING DOOR SASH PROFILE-MULTI POINT</i>	AĞIRLIK / Weight				
	2,410 kg/mt				
THS78 16	Jx cm ⁴	Jy cm ⁴			
	83,01	59,94			
DIŞA AÇILIR KAPI KANAT PROFİLİ-MULTI POINT <i>OUTWARD OPENING DOOR SASH PROFILE-MULTI POINT</i>	AĞIRLIK / Weight				
	2,432 kg/mt				

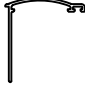



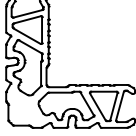
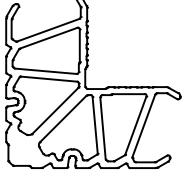
PROFİL LİSTESİ / 2 mm - PROFILES LIST / 2 mm

TH78 201	Jx cm ⁴	Jy cm ⁴		TH78 231	
	48,58	12,14			
KASA PROFİLİ-60 mm 2mm <i>FRAME PROFILE</i>	AĞIRLIK / Weight			2mm - ETEK PROFİLİ <i>BOTTOM PLATE PROFILE-2mm</i>	AĞIRLIK / Weight
	1,704 kg/mt			3,162 kg/mt	
TH78 222	Jx cm ⁴	Jy cm ⁴			
	53,72	18,02			
ORTA KAYIT PROFİLİ 81 mm - 2 mm <i>TRANSOM-MULLION PROFILE</i>	AĞIRLIK / Weight				
	1,906 kg/mt				
TH78 226	Jx cm ⁴	Jy cm ⁴			
	40,30	13,88			
ORTA KAYIT PROFİLİ 75 mm - 2 mm <i>TRANSOM-MULLION PROFILE</i>	AĞIRLIK / Weight				
	1,735 kg/mt				
TH78 225	Jx cm ⁴	Jy cm ⁴			
	119,24	16,41			
TAKVİYELİ ORTA KAYIT PROFİLİ <i>SUPPORTED MULLION PROFILE</i>	AĞIRLIK / Weight				
	2,280 kg/mt				
TH78 211	Jx cm ⁴	Jy cm ⁴			
	63,31	19,21			
KANAT PROFİLİ-2 mm <i>SASH PROFILE</i>	AĞIRLIK / Weight				
	1,971 kg/mt				
TH78 212	Jx cm ⁴	Jy cm ⁴			
	84,00	50,54			
İÇE AÇILIR KAPI KANAT PROFİLİ-2mm <i>INNER OPENING DOOR SASH PROFILE-2mm</i>	AĞIRLIK / Weight				
	2,403 kg/mt				
TH78 215	Jx cm ⁴	Jy cm ⁴			
	34,13	27,60			
İÇE AÇILIR KAPI - DAR KANAT PROFİLİ-2mm <i>INNER OPENING DOOR SASH PROFILE-2mm</i>	AĞIRLIK / Weight				
	2,265 kg/mt				
TH78 213					
2mm-DIŞA AÇILIR KAPI KANAT PROFİLİ <i>OUTWARD OPENING DOOR SASH PROFILE - 2mm</i>	AĞIRLIK / Weight				
	2,460 kg/mt				
TH78 214	Jx cm ⁴	Jy cm ⁴			
	71,36	25,10			
KANAT PROFİLİ- 2 mm MULTI POINT SİSTEM <i>SASH PROFILE-MULTI POINT</i>	AĞIRLIK / Weight				
	2,098 kg/mt				

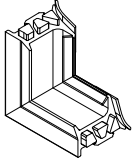





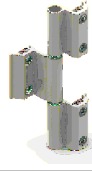



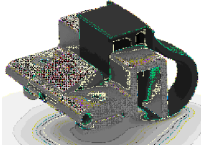

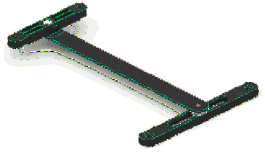

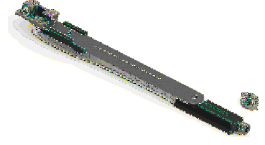

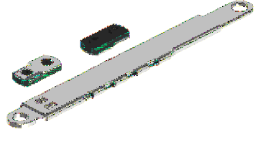
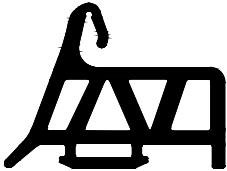
PROFİL LİSTESİ - PROFILES LIST



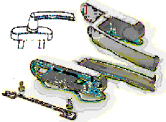



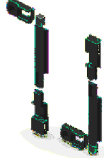

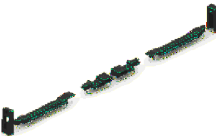
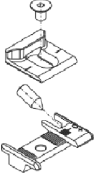

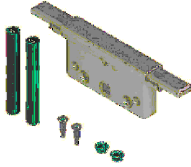

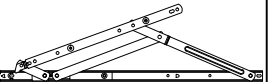

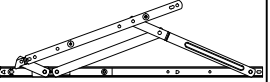

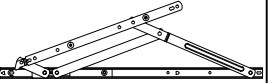

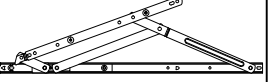
11-004			11-032		
CAM ÇİTASI-4 mm GLAZING BEAD PROFILE	AĞIRLIK / Weight 0,181 kg/mt		CAM ÇİTASI-32 mm GLAZING BEAD PROFILE	AĞIRLIK / Weight 0,315 kg/mt	
11-006			11-035		
CAM ÇİTASI-6 mm GLAZING BEAD PROFILE	AĞIRLIK / Weight 0,218 kg/mt		CAM ÇİTASI-35 mm GLAZING BEAD PROFILE	AĞIRLIK / Weight 0,323 kg/mt	
11-010			11-038		
CAM ÇİTASI-10 mm GLAZING BEAD PROFILE	AĞIRLIK / Weight 0,233 kg/mt		CAM ÇİTASI-38 mm GLAZING BEAD PROFILE	AĞIRLIK / Weight 0,334 kg/mt	
11-015			11-144		
CAM ÇİTASI-15 mm GLAZING BEAD PROFILE	AĞIRLIK / Weight 0,242 kg/mt		CAM ÇİTASI-44 mm GLAZING BEAD PROFILE	AĞIRLIK / Weight 0,340 kg/mt	
11-017			12-01		
CAM ÇİTASI-17 mm GLAZING BEAD PROFILE	AĞIRLIK / Weight 0,250 kg/mt		DAMLALIK PROFİLİ RAINDROP PROFILE	AĞIRLIK / Weight 0,198 kg/mt	
11-020			12-02		
CAM ÇİTASI-20 mm GLAZING BEAD PROFILE	AĞIRLIK / Weight 0,276 kg/mt		DAMLALIK PROFİLİ RAINDROP PROFILE	AĞIRLIK / Weight 0,136 kg/mt	
11-022			12-03		
CAM ÇİTASI-22 mm GLAZING BEAD PROFILE	AĞIRLIK / Weight 0,282 kg/mt		DAMLALIK PROFİLİ RAINDROP PROFILE	AĞIRLIK / Weight 0,313 kg/mt	
11-026			12-41		
CAM ÇİTASI-26 mm GLAZING BEAD PROFILE	AĞIRLIK / Weight 0,296 kg/mt		TİJ PROFİLİ SASH PROFILE	AĞIRLIK / Weight 0,118 kg/mt	
11-028			12-52		
CAM ÇİTASI-28 mm GLAZING BEAD PROFILE	AĞIRLIK / Weight 0,302 kg/mt		PERVAZ PROFİLİ BORDER PROFILE	AĞIRLIK / Weight 0,279 kg/mt	
11-030			12-53		
CAM ÇİTASI-30 mm GLAZING BEAD PROFILE	AĞIRLIK / Weight 0,308 kg/mt		PERVAZ MONTAJ PROFİLİ BORDER FIXING PROFILE	AĞIRLIK / Weight 0,177 kg/mt	

PROFİL LİSTESİ - PROFILES LIST

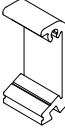
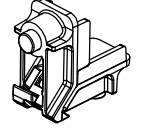
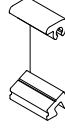
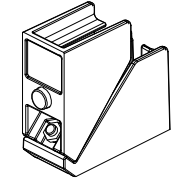
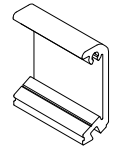
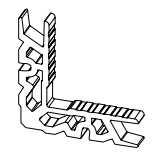
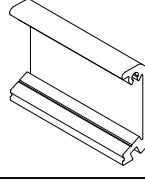
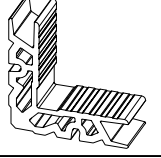
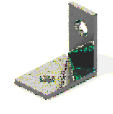
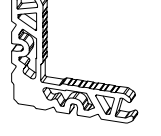
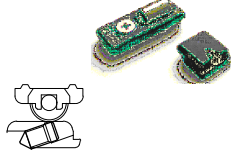
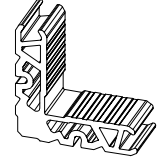
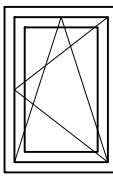
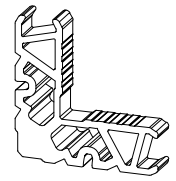
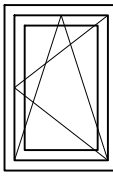
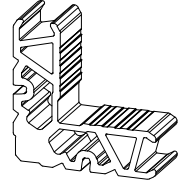

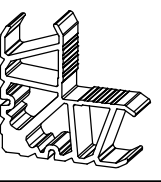
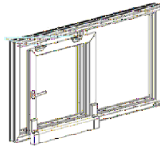
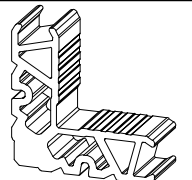
12-54				
PERVAZ PROFİLİ BORDER PROFILE	AĞIRLIK / Weight 0,325 kg/mt			
12-57				
PERVAZ PROFİLİ BORDER PROFILE	AĞIRLIK / Weight 0,345 kg/mt			
12-91				
DİK BAĞLANTI T JOINT	AĞIRLIK / Weight 0,800 kg/mt			
04-025025-12				
KASA T 'Sİ - 30 mm FRAME BORDER	AĞIRLIK / Weight 0,158 kg/mt			
10-010225-00				
KÖŞE TAKOZU-22,5 mm CORNER JOINT	AĞIRLIK / Weight 3,566 kg/mt			
10-010429-00				
KÖŞE TAKOZU-42,7 mm CORNER JOINT	AĞIRLIK / Weight 5,482 kg/mt			

AKSESUAR LİSTESİ - ACCESSORIES LIST

EP1-01			EP4-07K		
DİŞ CAM FİTİLİ - 3,5 mm <i>OUTER GLAZING GASKET</i>	KOLİ MİKTARI/Package 240 mt / 15 kg		VULKANİZE FİTİLİ <i>GASKET FOR CORNER</i>	KOLİ MİKTARI/Package Adet / Piece	
EP2-01			ASI-H 3300		
İÇ CAM FİTİLİ - 3 mm <i>INNER GLAZING GASKET</i>	KOLİ MİKTARI/Package 440 mt / 15 kg		SİSTEM KAPI MENTEŞESİ <i>SYSTEM DOOR HINGE</i>	KOLİ MİKTARI/Package Adet / Piece	
EP2-02			ASI-H 9730		
İÇ CAM FİTİLİ - 4 mm <i>INNER GLAZING GASKET</i>	KOLİ MİKTARI/Package 300 mt / 15 kg		SİSTEM İKİLİ MENTEŞE <i>DOUBLE SYSTEM HINGE</i>	KOLİ MİKTARI/Package 250 Adet / Piece	
EP2-03			ASI-H 9733		
İÇ CAM FİTİLİ - 5 mm <i>INNER GLAZING GASKET</i>	KOLİ MİKTARI/Package 250 mt / 15 kg		SİSTEM ÜÇLÜ MENTEŞE <i>TRIPLE SYSTEM HINGE</i>	KOLİ MİKTARI/Package 250 Adet / Piece	
KC 06			ASI-V 816		
İÇ CAM FİTİLİ - 6 mm <i>INNER GLAZING GASKET</i>	KOLİ MİKTARI/Package 100 mt / 8 kg		VASİSTAS AÇILIM KOLU <i>TRANSOM OPENING HANDLE</i>	KOLİ MİKTARI/Package 50 Adet / Piece	
KC 07			ASI-V 820		
İÇ CAM FİTİLİ - 7 mm <i>INNER GLAZING GASKET</i>	KOLİ MİKTARI/Package 100 mt / 8.3 kg		VASİSTAS AÇILIM KOLU <i>TRANSOM OPENING HANDLE</i>	KOLİ MİKTARI/Package 30 Adet / Piece	
EP3-01			ASI-V 1000		
KANAT BİNİ FİTİLİ <i>SASH GASKET</i>	KOLİ MİKTARI/Package 430 mt / 15 kg		VASİSTAS MAKAS (PVC) <i>TRANSOM RESTRICTER</i>	KOLİ MİKTARI/Package 120 Adet / Piece	
EP3-02			ASI-V 1080		
KASA BİNİ FİTİLİ <i>FRAME GASKET</i>	KOLİ MİKTARI/Package 750 mt / 15 kg		VASİSTAS MAKAS <i>TRANSOM RESTRICTER</i>	KOLİ MİKTARI/Package 60 Adet / Piece	
EP3-03			ASI-V 1275-3		
KASA BİNİ FİTİLİ <i>FRAME GASKET</i>	KOLİ MİKTARI/Package mt / kg		VASİSTAS 3 KADEMELİ ÇELİK MAKAS <i>TRANSOM RESTRICTER WITH 3 POSITIONS</i>	KOLİ MİKTARI/Package 10 Adet / Piece	
EP4-07			ASI-V 1275-5		
ORTA BİNİ FİTİLİ <i>GASKET FOR OPEN JOINT</i>	KOLİ MİKTARI/Package 45 mt / 15 kg		VASİSTAS 5 KADEMELİ ÇELİK MAKAS <i>TRANSOM RESTRICTER WITH 5 POSITIONS</i>	KOLİ MİKTARI/Package 10 Adet / Piece	

ASI-WH 003			ASI-WH 007		
TEK DİLLİ EKSENEL KOL <i>WINDOW HANDLE</i>	KOLİ MİKTARI/Package Adet / Piece		DIŞA AÇILIR KARE MİLLİ PENCERE KOLU <i>BAS WINDOW HANDLE FOR OUTWARD OPENING</i>	KOLİ MİKTARI/Package Adet / Piece	
ASI-WH 004			ASI-RP 001		
ÇİFT DİLLİ EKSENEL KOL <i>WINDOW HANDLE</i>	KOLİ MİKTARI/Package Adet / Piece		TİJ PİMİ <i>ROD PROFILE LOCKING</i>	KOLİ MİKTARI/Package Adet / Piece	
ASI-WH 004A			ASI-RP 002		
ÇİFT DİLLİ EKSENEL KOL - ANAHTARLI <i>WINDOW HANDLE WITH LOCK</i>	KOLİ MİKTARI/Package Adet / Piece		DIŞA AÇILIM TİJ PİMİ <i>ROD PROFILE LOCKING FOR OUTWARD OPENING</i>	KOLİ MİKTARI/Package Adet / Piece	
ASI-KA M108			ASI-RS 001		
EKSENEL KOL KİLİTLEME MEKANİZMASI <i>LOCKING FOR WINDOW</i>	KOLİ MİKTARI/Package Adet / Piece		PİM KARŞILIĞI <i>ROD PROFILE STRIKES</i>	KOLİ MİKTARI/Package 120 Adet / Piece	
ASI-KA P200			ASI-RS 003		
EKSENEL KOL KİLİTLEME MEKANİZMASI <i>LOCKING FOR WINDOW</i>	KOLİ MİKTARI/Package Adet / Piece		DIŞA AÇILIM PİM KARŞILIĞI <i>ROD PROFILE STRIKES FOR OUTWARD OPENING</i>	KOLİ MİKTARI/Package Adet / Piece	
ASI-KA VNT			ASI-GB 001		
KANAT SABİTLEME <i>SASH FIXING</i>	KOLİ MİKTARI/Package Adet / Piece		DIŞA AÇILIM KOL MEKANİZMASI <i>LOCKING FOR WINDOW FOR OUTWARD OPENING</i>	KOLİ MİKTARI/Package Adet / Piece	
ASI-WH 001			ASI-OA 001		
KARE MİLLİ PENCERE KOLU <i>WINDOW HANDLE</i>	KOLİ MİKTARI/Package Adet / Piece		DIŞA AÇILIM MAKAS -10" <i>EUROGROVE ARM FOR OUTWARD OPENING</i>	KOLİ MİKTARI/Package Adet / Piece	
ASI-WH 001A			ASI-OA 002		
KARE MİLLİ PENCERE KOLU-ANAHTARLI <i>WINDOW HANDLE WITH LOCK</i>	KOLİ MİKTARI/Package Adet / Piece		DIŞA AÇILIM MAKAS -16" <i>EUROGROVE ARM FOR OUTWARD OPENING</i>	KOLİ MİKTARI/Package Adet / Piece	
ASI-WH 001B			ASI-OA 003		
KARE MİLLİ PENCERE KOLU - İKİLİ TAKIM <i>WINDOW HANDLE WITH LOCK</i>	KOLİ MİKTARI/Package Takım / Set		DIŞA AÇILIM MAKAS -22" <i>EUROGROVE ARM FOR OUTWARD OPENING</i>	KOLİ MİKTARI/Package Adet / Piece	
ASI-DH 002			ASI-OA 004		
KAPI KOLU <i>DOOR HANDLE</i>	KOLİ MİKTARI/Package Adet / Piece		DIŞA AÇILIM MAKAS -28" <i>EUROGROVE ARM FOR OUTWARD OPENING</i>	KOLİ MİKTARI/Package Adet / Piece	

ASI-153 35			KF 67-1000		
DİLLİ KİLİT MOURTISE LOCK WITH CYLINDER	KOLİ MİKTARI/Package Adet / Piece		FIRÇA FİTİL BRUSH GASKET	KOLİ MİKTARI/Package 600 mt	
ASI-LS 90185D			ASI-F 100A		
DİLLİ KİLİT KARŞILIĞI LOCK STRIKES	KOLİ MİKTARI/Package Adet / Piece		KAPI ALTI FIRÇASI DOOR BRUSH GASKET	KOLİ MİKTARI/Package Adet / Piece	
ASI-155 35			ASI-WDC 01		
MAKARALI KİLİT MOURTISE LOCK WITH ROLLER	KOLİ MİKTARI/Package Adet / Piece		YAĞMUR TAHLİYE KAPAĞI WATER REJECT COVER	KOLİ MİKTARI/Package Adet / Piece	
ASI-LS 90185M			ASI-WDC 02		
MAKARALI KİLİT KARŞILIĞI ROLLER LOCK STRIKES	KOLİ MİKTARI/Package Adet / Piece		KLAPELİ YAĞMUR TAHLİYE KAPAĞI WATER REJECT COVER	KOLİ MİKTARI/Package Adet / Piece	
ASI-BRL 116			TH78-PL30		
116 LİK BAREL CYLINDER 116	KOLİ MİKTARI/Package 250 Adet / Piece		EŞİK BAĞLANTI KAPAĞI BOTTOM RAIL JOINT COVER	KOLİ MİKTARI/Package Adet / Piece	
ASI-225			ASI-FUJI 2500		
BAREL AYNASI (Beyaz,Siyah,Gri) DOOR HANDLE CYLINDER (White,Black,Grey)	KOLİ MİKTARI/Package Adet / Piece		AYARLI ORTA KAYIT BAĞLANTI T JOINT CONNECTION	KOLİ MİKTARI/Package Adet / Piece	
ASI-B 2217			ASI-FUJI 2700		
SÜRGÜ KİLİTLEME-KISA SASH FIXING LOCK-SHORT	KOLİ MİKTARI/Package 240 Adet / Piece		AYARLI ORTA KAYIT BAĞLANTI T JOINT CONNECTION	KOLİ MİKTARI/Package Adet / Piece	
ASI-B 2215			ASI-FUJI 2000		
SÜRGÜ KİLİTLEME-UZUN SASH FIXING LOCK-LONG	KOLİ MİKTARI/Package 120 Adet / Piece		AYARLI KÖŞE GÖNYESİ CORNER ALIGNMENT	KOLİ MİKTARI/Package Adet / Piece	
ASI-DH 60Y			ASI-SB 19		
ÇEKME KAPI KOLU DOOR HANDLE	KOLİ MİKTARI/Package Adet / Piece		KÖŞE GÖNYESİ CORNER ALIGNMENT	KOLİ MİKTARI/Package 1000 Adet / Piece	
TH78 HOK			ASI-SB 19.1		
ADAPTÖR KAPAĞI ADAPTER COVER	KOLİ MİKTARI/Package alt-üst 1 takım		KÖŞE GÖNYESİ CORNER ALIGNMENT	KOLİ MİKTARI/Package 1000 Adet / Piece	

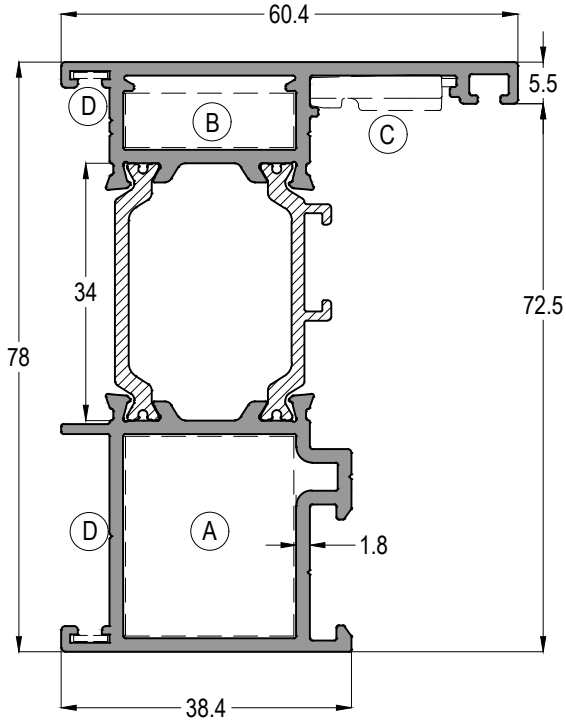
ASI-DB 9116			ASI-PB 2660		
DİK BAĞLANTI <i>T JOINT</i>	KOLİ MİKTARI/Package Adet / Piece		PİMLİ KÖŞE BAĞLANTI <i>CORNER JOINT</i>	KOLİ MİKTARI/Package 200 Adet / Piece	
ASI-DB 9123			ASI-PB 2650		
DİK BAĞLANTI <i>T JOINT</i>	KOLİ MİKTARI/Package Adet / Piece		PİMLİ KÖŞE BAĞLANTI <i>CORNER JOINT</i>	KOLİ MİKTARI/Package 150 Adet / Piece	
ASI-DB 9143			ASI-KT 1609		
DİK BAĞLANTI <i>T JOINT</i>	KOLİ MİKTARI/Package Adet / Piece		KÖŞE TAKOZU <i>CORNER JOINT</i>	KOLİ MİKTARI/Package Adet / Piece	
ASI-DB 9174			ASI-KT 1626		
DİK BAĞLANTI <i>T JOINT</i>	KOLİ MİKTARI/Package Adet / Piece		KÖŞE TAKOZU <i>CORNER JOINT</i>	KOLİ MİKTARI/Package Adet / Piece	
ASI-P 100.1			ASI-KT 1807		
ORTA KAYIT BAĞLANTI <i>T JOINT</i>	KOLİ MİKTARI/Package 250 Adet / Piece		KÖŞE TAKOZU <i>CORNER JOINT</i>	KOLİ MİKTARI/Package Adet / Piece	
ASI-SS 01			ASI-KT 1830		
KANAT DESTEK TAKOZU <i>SASH SUPPORT BOTTOM</i>	KOLİ MİKTARI/Package Takım / Set		KÖŞE TAKOZU <i>CORNER JOINT</i>	KOLİ MİKTARI/Package Adet / Piece	
ASI-ALU TT			ASI-KT 2308		
ÇİFT EKSEN AÇILIM MEKANİZMASI <i>TILT&TURN OPENING</i>	KOLİ MİKTARI/Package Takım / Set		KÖŞE TAKOZU <i>CORNER JOINT</i>	KOLİ MİKTARI/Package Adet / Piece	
ASI-PVC TT			ASI-KT 2319		
ÇİFT EKSEN AÇILIM MEKANİZMASI <i>TILT&TURN OPENING</i>	KOLİ MİKTARI/Package Takım / Set		KÖŞE TAKOZU <i>CORNER JOINT</i>	KOLİ MİKTARI/Package Adet / Piece	
ASI-LTT K01			ASI-KT 2650		
ÇİFT KANAT AÇILIM PASİF KANAT LEVYE KOL <i>INACTIVE SASH HIDDEN HANDLE</i>	KOLİ MİKTARI/Package Takım / Set		KÖŞE TAKOZU <i>CORNER JOINT</i>	KOLİ MİKTARI/Package Adet / Piece	
ASI-MEK VW			ASI-KT 2660		
PARALEL SÜRME MEKANİZMASI <i>TILT&SLIDE OPENING</i>	KOLİ MİKTARI/Package Takım / Set		KÖŞE TAKOZU <i>CORNER JOINT</i>	KOLİ MİKTARI/Package Adet / Piece	


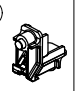
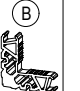
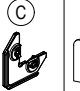
PROFİL DETAYLARI
PROFILE DETAILS

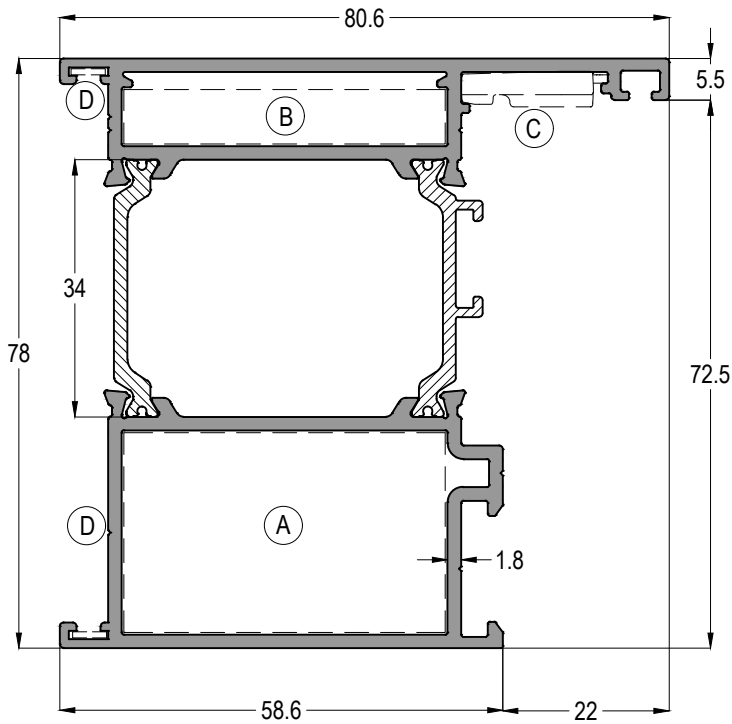
TH78



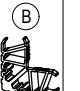
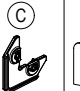
YALITIMLI KAPI-PENCERE SİSTEMİ
THERMAL WINDOW&DOOR SYSTEM

ASISTAL



TH78 01				Jx cm ⁴	Jy cm ⁴
				45,72	12,61
 (A)	 (B)	 (C)	 (D)	AĞIRLIK / Weight	
ASI-KT 2660-ASI-PB 2660	ASI-KT 2308	ASI-FUJI 2000	ASI-SB 19	1,600 kg/mt	

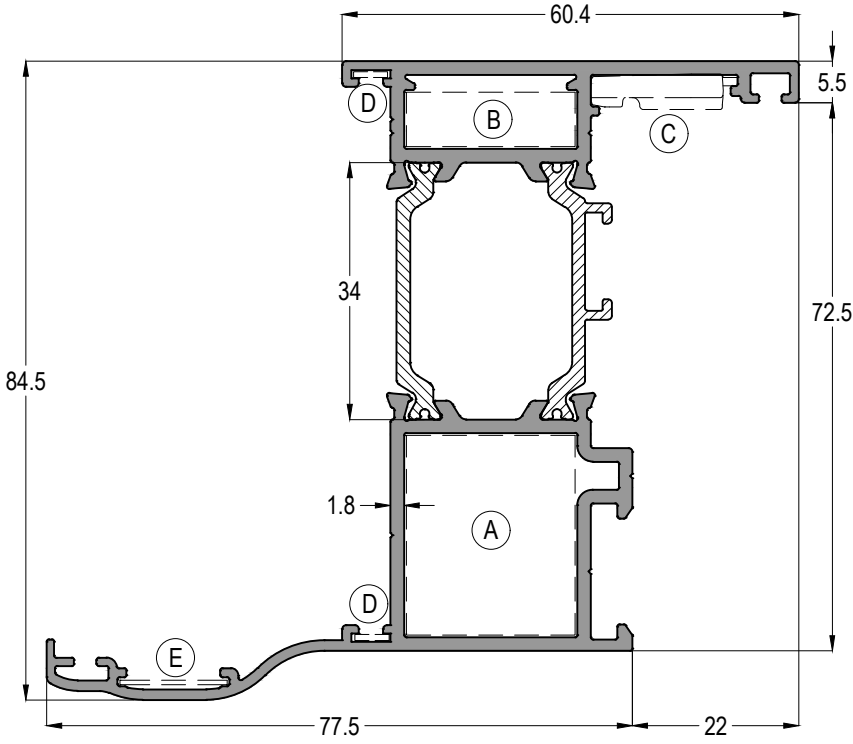


TH78 02				Jx cm ⁴	Jy cm ⁴
				58,71	35,34
 (A)	 (B)	 (C)	 (D)	AĞIRLIK / Weight	
ASI-KT 2650-ASI-PB 2650	ASI-KT 4308	ASI-FUJI 2000	ASI-SB 19	1,971 kg/mt	



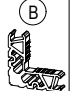

TH78

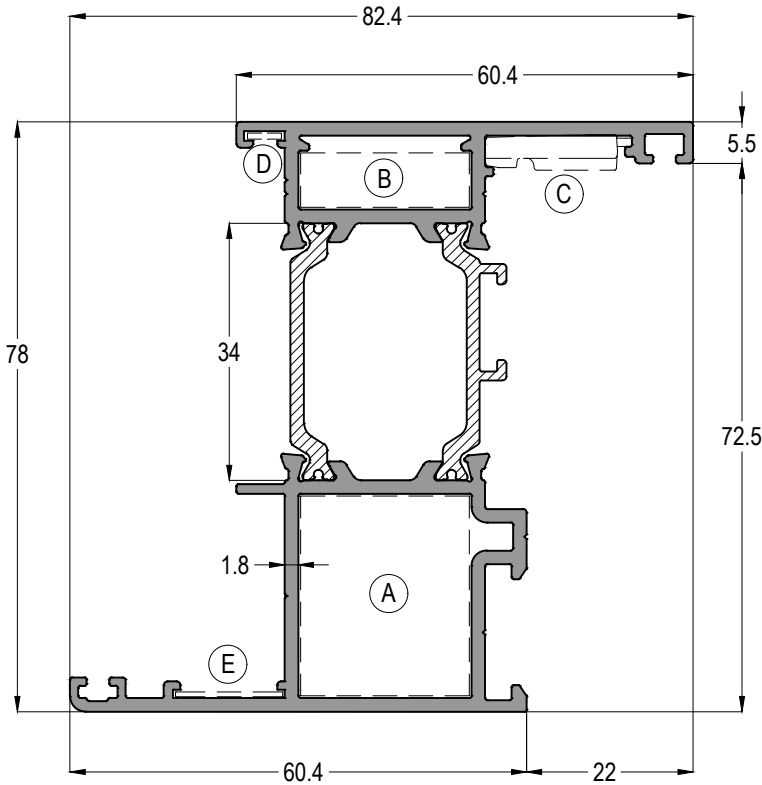
YALITIMLI KAPI-PENCERE SİSTEMİ
THERMAL WINDOW&DOOR SYSTEM

ASISTAL

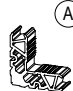

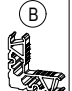



TH78 03				Jx cm ⁴	Jy cm ⁴
				60,71	26,87
AĞIRLIK / Weight					
				1,782 kg/mt	

					
ASI-KT 2660-ASI-PB 2660	ASI-KT 2308	ASI-FUJII 2000	ASI-SB 19.1		



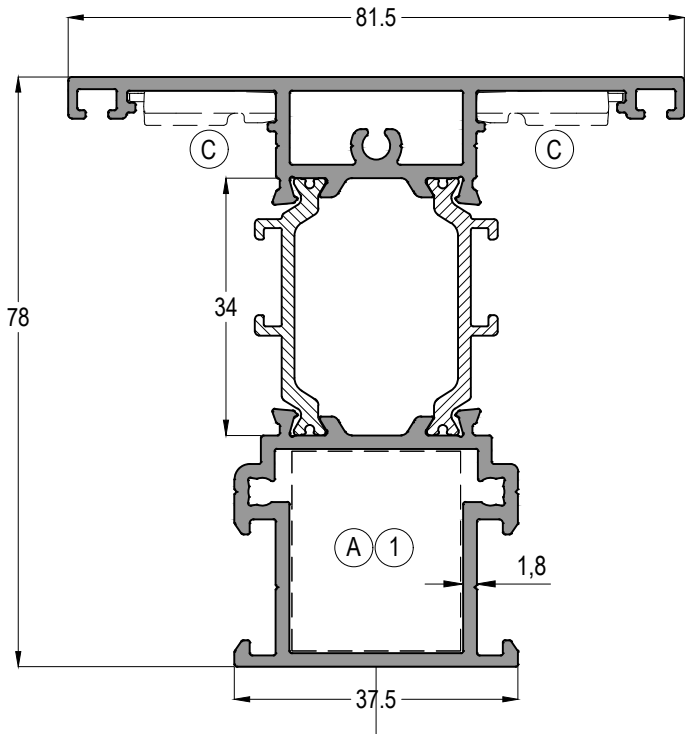
TH78 04				Jx cm ⁴	Jy cm ⁴
				54,05	18,25
AĞIRLIK / Weight					
				1,736 kg/mt	

					
ASI-KT 2660-ASI-PB 2660	ASI-KT 2308	ASI-FUJII 2000	ASI-SB 19.1		

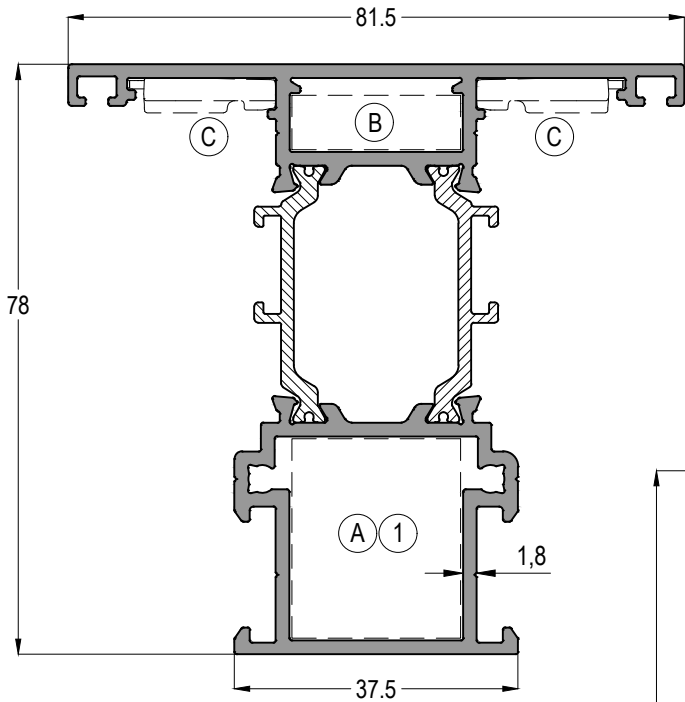
TH78

YALITIMLI KAPI-PENCERE SİSTEMİ
THERMAL WINDOW&DOOR SYSTEM

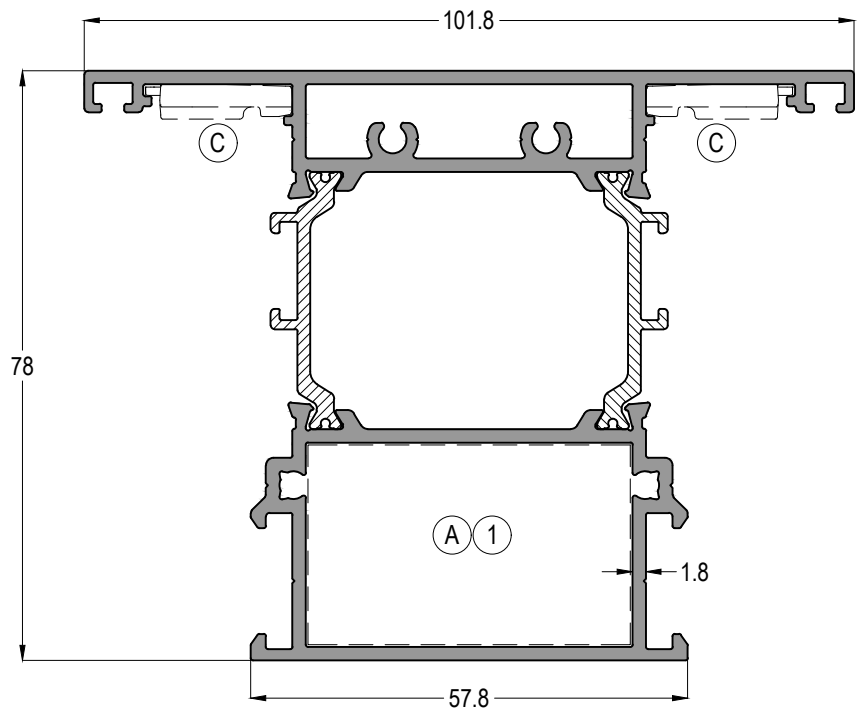
ASISTAL



TH78 21			Jx cm ⁴	Jy cm ⁴
			51,99	18,69
(A)	(C)	(1)	AĞIRLIK / Weight	
ASI-KT 2660-ASI-PB 2660	ASI-FUJI 2000	ASI-DB 9123	1,835 kg/mt	



TH78 22					Jx cm ⁴	Jy cm ⁴
					51,41	18,72
(A)	(B)	(C)	(1)		AĞIRLIK / Weight	
ASI-KT 2660-ASI-PB 2660	ASI-KT 2308	ASI-FUJI 2000	ASI-DB 9123		1,798 kg/mt	

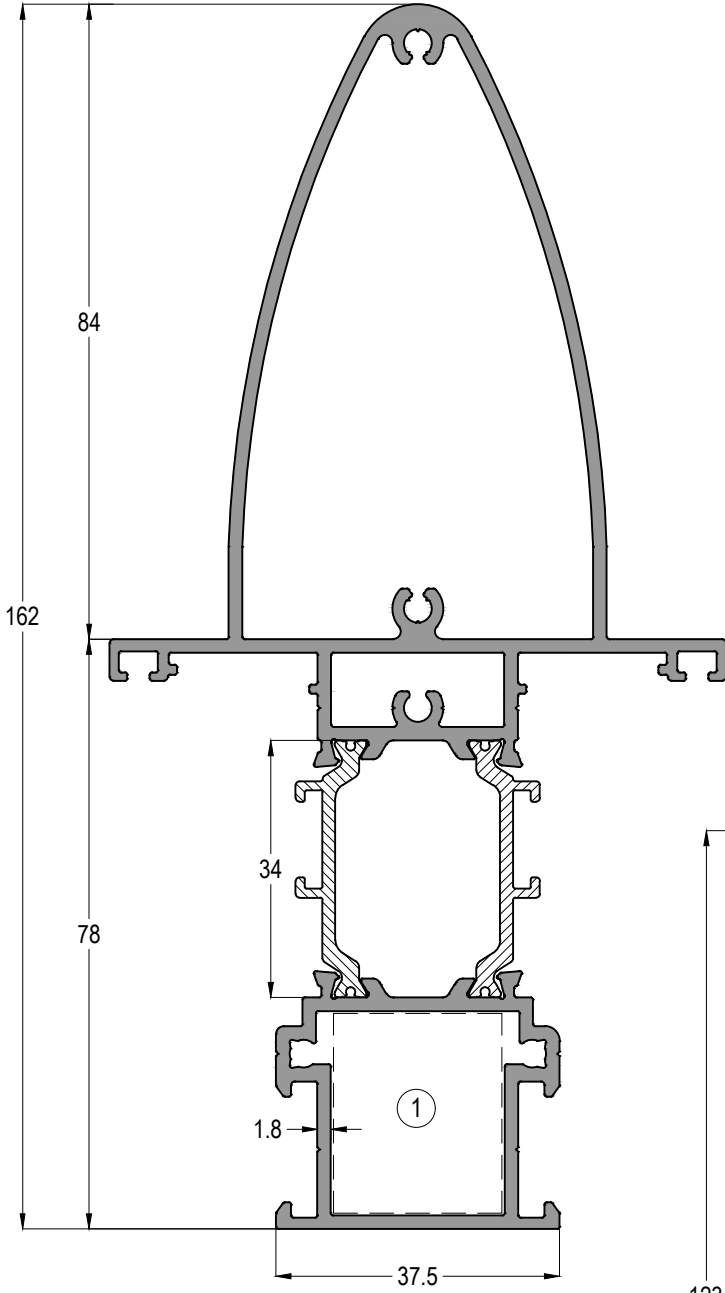


TH78 23			Jx cm ⁴	Jy cm ⁴
			66,23	47,51
(A)	(C)	(1)	AĞIRLIK / Weight	
ASI-KT 2650-ASI-PB 2650	ASI-FUJI 2000	ASI-DB 9143	2,250 kg/mt	

TH78

YALITIMLI KAPI-PENCERE SİSTEMİ
THERMAL WINDOW&DOOR SYSTEM

ASISTAL



TH78 24

Jx cm⁴

Jy cm⁴

223,24

29,97

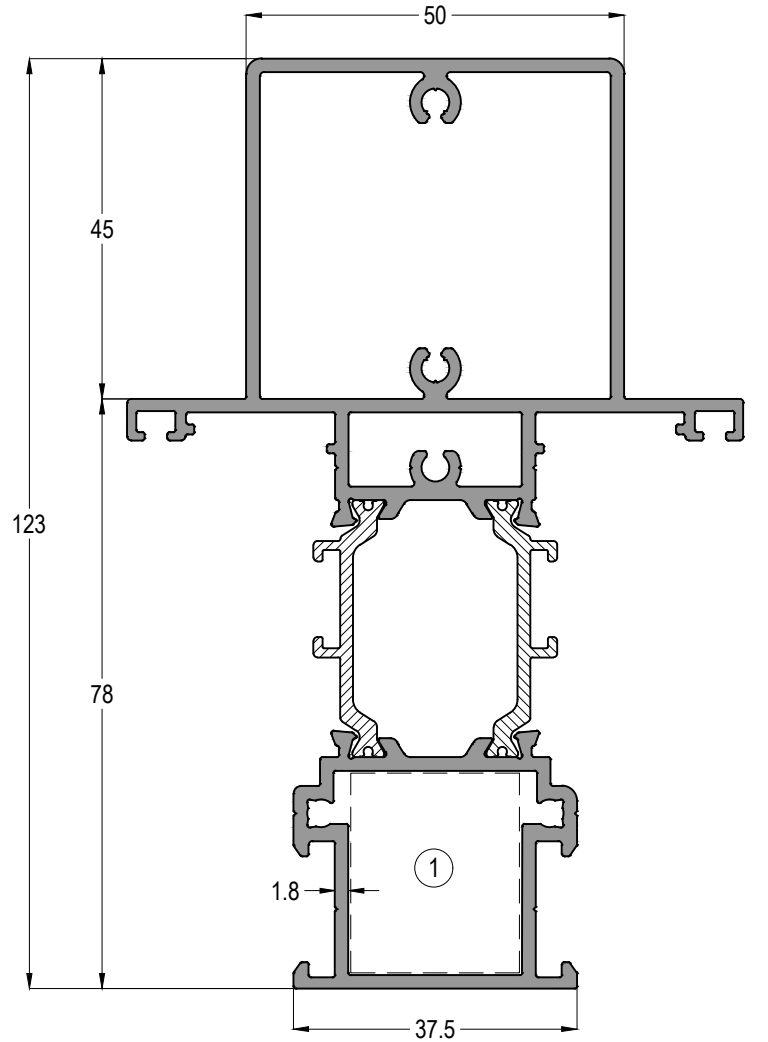
①



ASI-DB 9123

AĞIRLIK / Weight

2,856 kg/mt



TH78 25

Jx cm⁴

Jy cm⁴

135,67

29,50

①



ASI-DB 9123

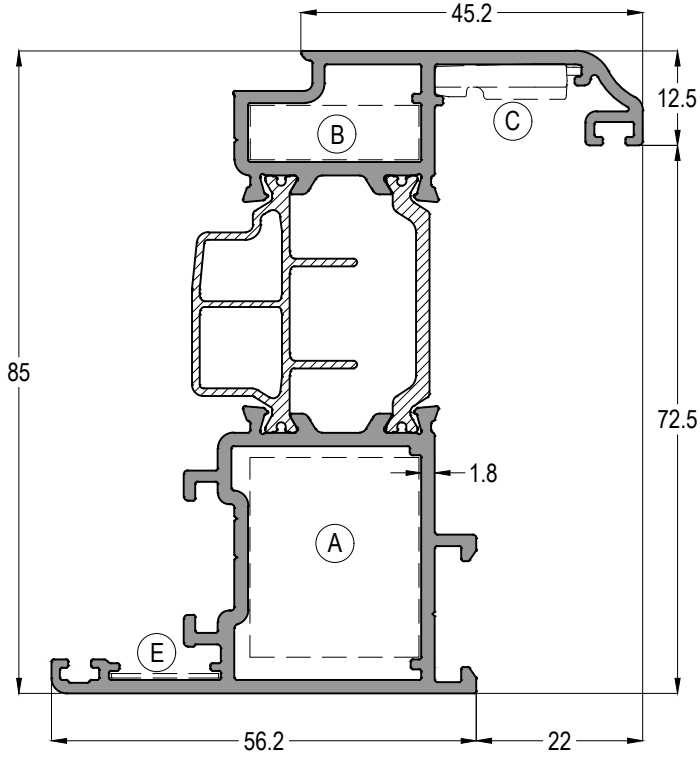
AĞIRLIK / Weight

2,626 kg/mt

TH78

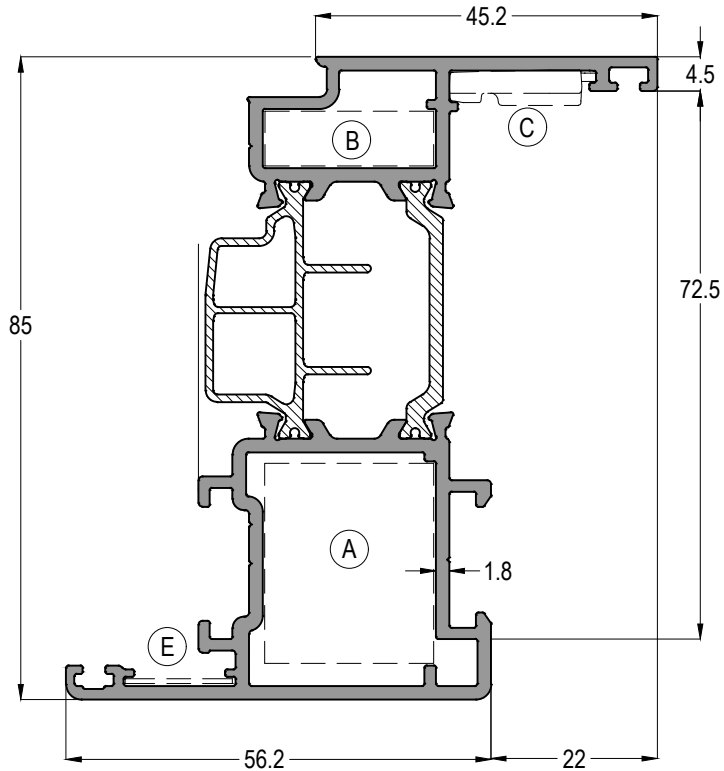
YALITIMLI KAPI-PENCERE SİSTEMİ
THERMAL WINDOW&DOOR SYSTEM

ASISTAL



TH78 11				Jx cm ⁴	Jy cm ⁴
				63,31	19,21
AĞIRLIK / Weight					
				1,882 kg/mt	

A	B	C	E



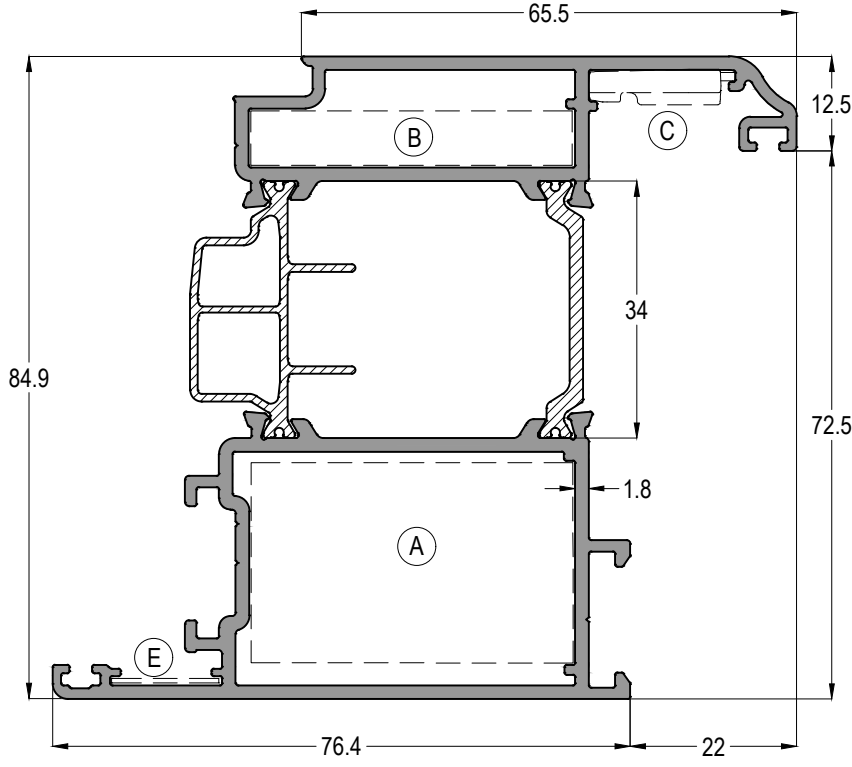
TH78 18				Jx cm ⁴	Jy cm ⁴
				62,90	17,32
AĞIRLIK / Weight					
				1,867 kg/mt	


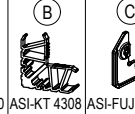
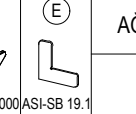
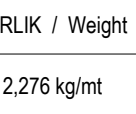
A	B	C	E

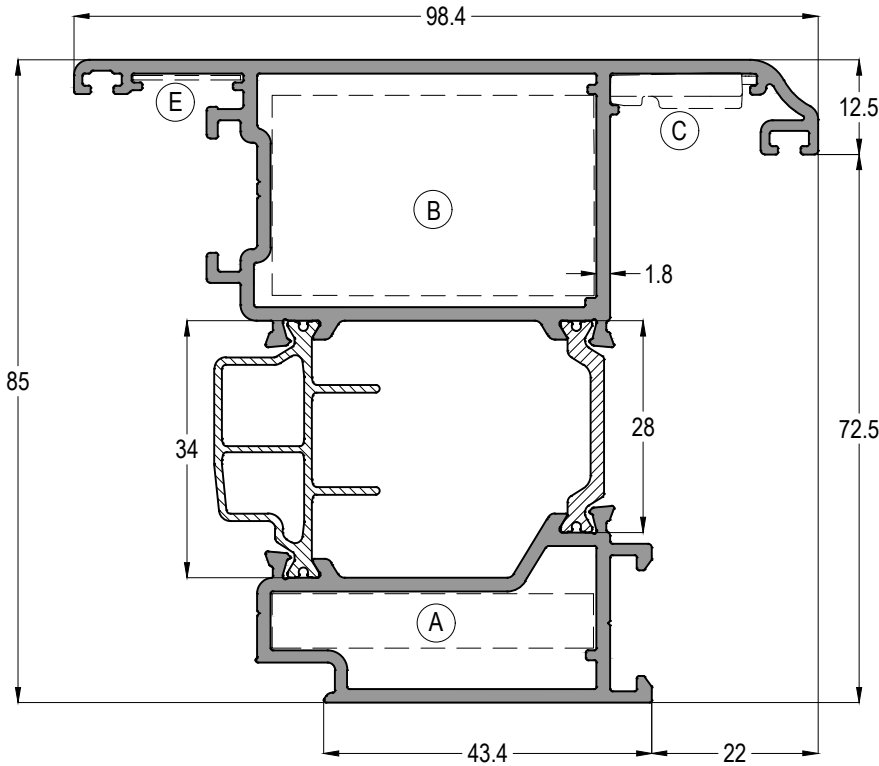
TH78

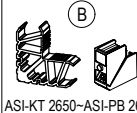
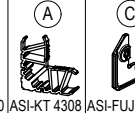
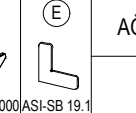
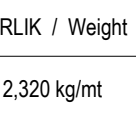
YALITIMLI KAPI-PENCERE SİSTEMİ
THERMAL WINDOW&DOOR SYSTEM

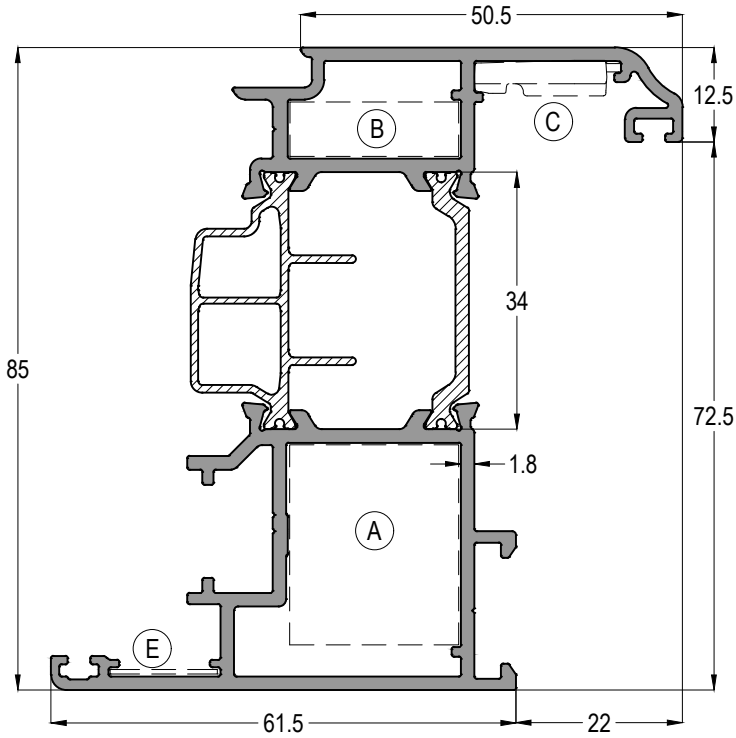
ASISTAL



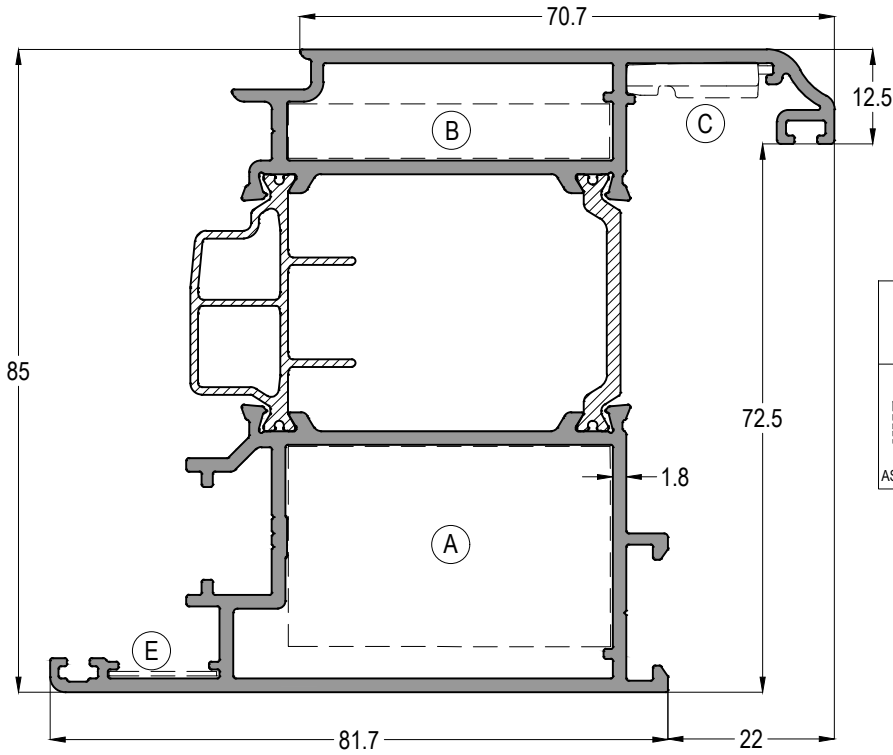
TH78 12				Jx cm ⁴	Jy cm ⁴
				78,72	48,38
				AĞIRLIK / Weight	
				2,276 kg/mt	



TH78 13				Jx cm ⁴	Jy cm ⁴
				77,57	48,50
				AĞIRLIK / Weight	
				2,320 kg/mt	

ÇOK NOKTADAN KİLİTLEME KANAT PROFİLLERİ
MULTI POINT LOCK SASH PROFILES

TH78 14				Jx cm ⁴	Jy cm ⁴
				67,53	24,33
(A)	(B)	(C)	(E)	AĞIRLIK / Weight	
ASI-KT 2660-ASI-PB 2660	ASI-KT 2308	ASI-FUJII 2000	ASI-SB 19.1	2,002 kg/mt	



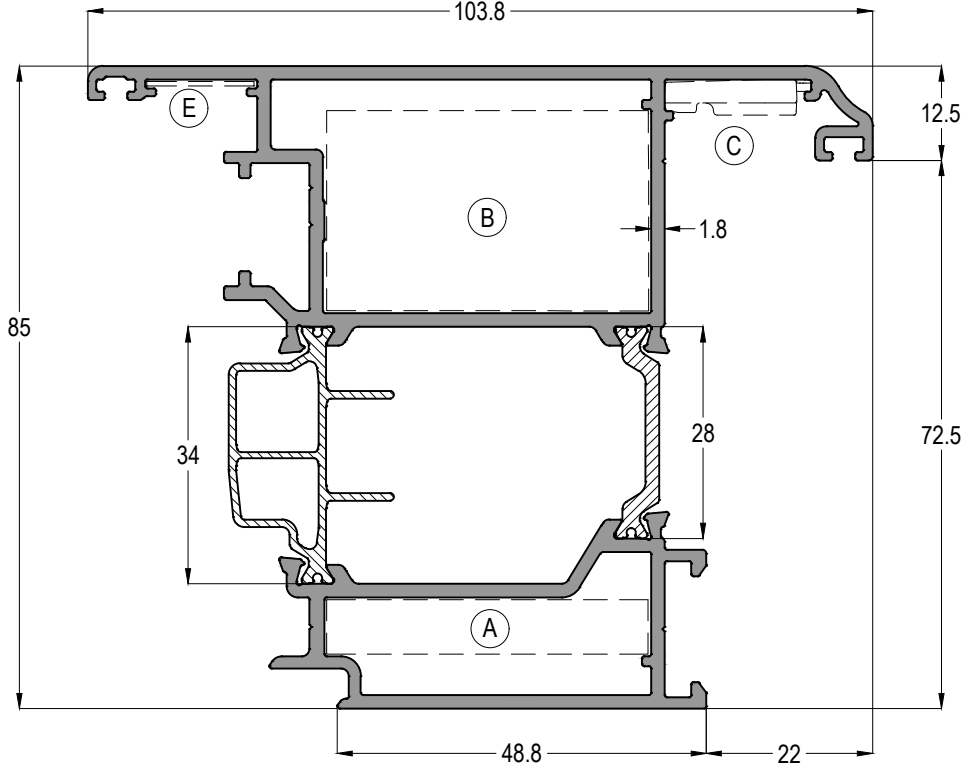
TH78 15				Jx cm ⁴	Jy cm ⁴
				82,88	57,68
(A)	(B)	(C)	(E)	AĞIRLIK / Weight	
ASI-KT 2650-ASI-PB 2650	ASI-KT 4308	ASI-FUJII 2000	ASI-SB 19.1	2,396 kg/mt	




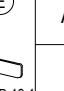
TH78

YALITIMLI KAPI-PENCERE SİSTEMİ
THERMAL WINDOW&DOOR SYSTEM

ASISTAL

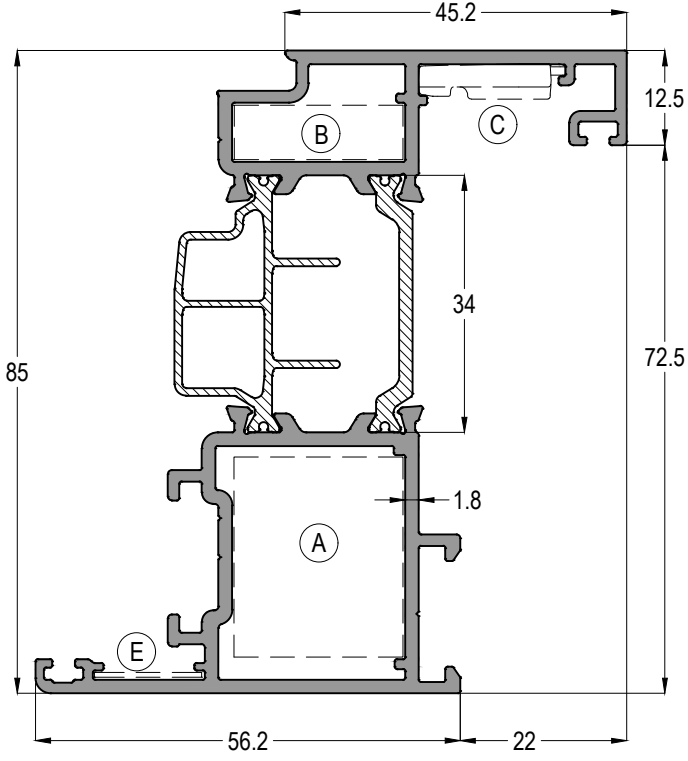
ÇOK NOKTADAN KİLİTLEME KANAT PROFİLLERİ MULTI POINT LOCK SASH PROFILES



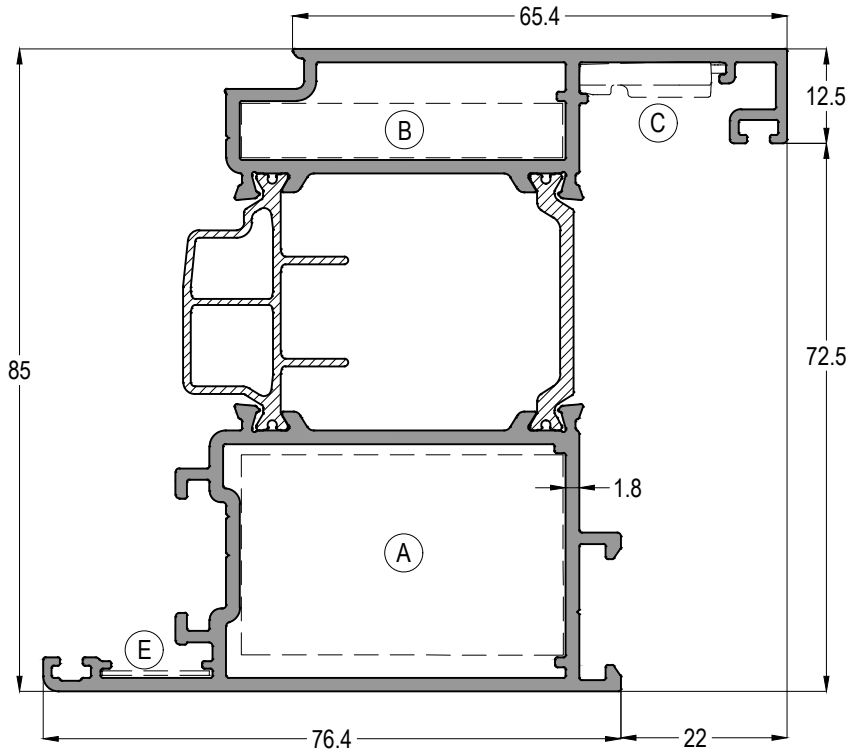
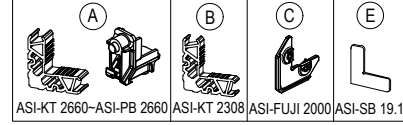
TH78 16		Jx cm ⁴	Jy cm ⁴
		81,87	58,04
AĞIRLIK / Weight			
2,442 kg/mt			
 ASI-KT 2650-ASI-PB 2650	 ASI-KT 4308	 ASI-FUJII 2000	 ASI-SB 19.1



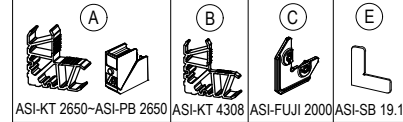
THS SERİSİ DÜZ KANAT PROFİLLERİ THS SERIES FLAT SASH PROFILES



THS78 11				Jx cm ⁴	Jy cm ⁴
				64,56	20,31
				AĞIRLIK / Weight	
				1,896 kg/mt	



THS78 12				Jx cm ⁴	Jy cm ⁴
				79,89	50,09
				AĞIRLIK / Weight	
				2,290 kg/mt	



THS78

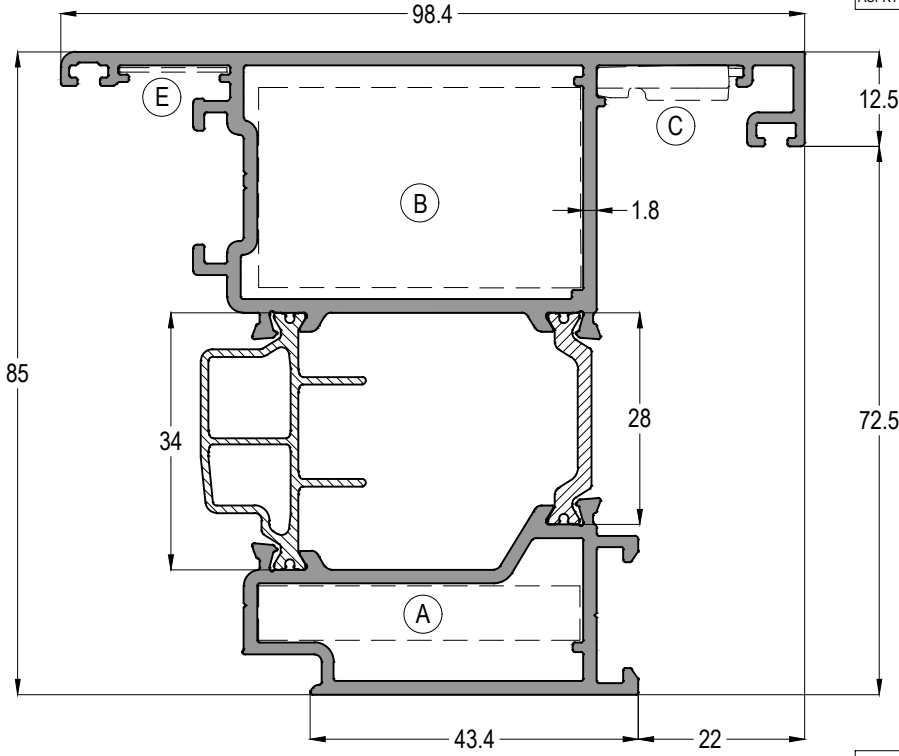
YALITIMLI KAPI-PENCERE SİSTEMİ
THERMAL WINDOW&DOOR SYSTEM

ASISTAL

THS SERİSİ DÜZ KANAT PROFİLLERİ THS SERIES FLAT SASH PROFILES

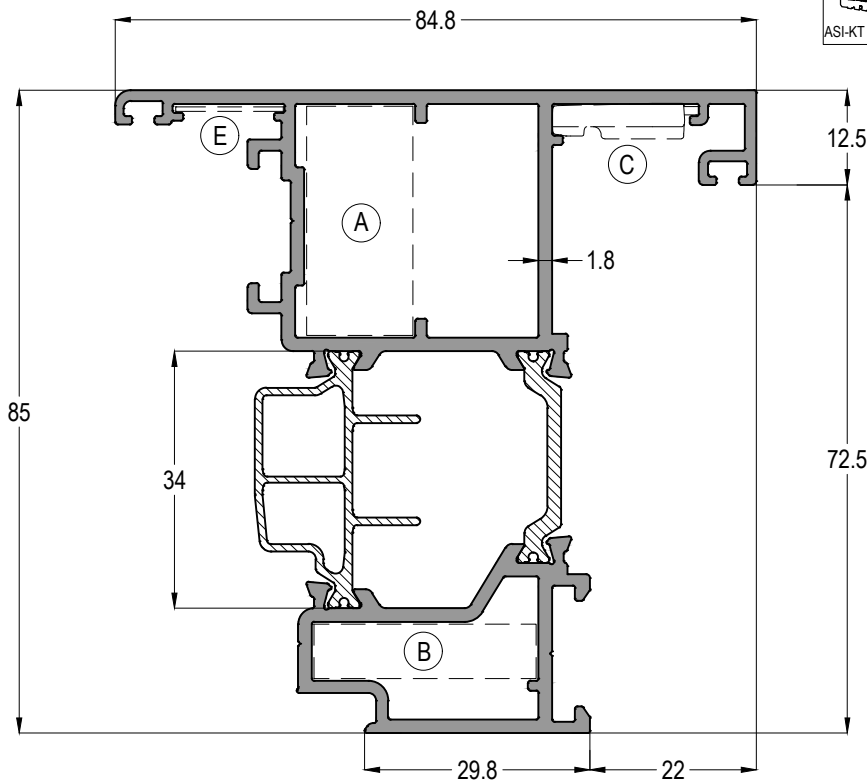
THS78 13				Jx cm ⁴	Jy cm ⁴
				78,73	50,17
AĞIRLIK / Weight				2,312 kg/mt	

ASI-KT 2650-ASI-PB 2650 ASI-KT 4308 ASI-FUJII 2000 ASI-SB 19.1



THS78 17					
AĞIRLIK / Weight				2,087 kg/mt	

ASI-KT 3007-ASI-PB 4111 ASI-KT 1430 ASI-FUJII 2000 ASI-SB 19.1



Profil ağırlıklarımız teorik olup; teslim anındaki tartımız geçerlidir.
Profile weights are theoretical and the weight at the time of delivery is valid.

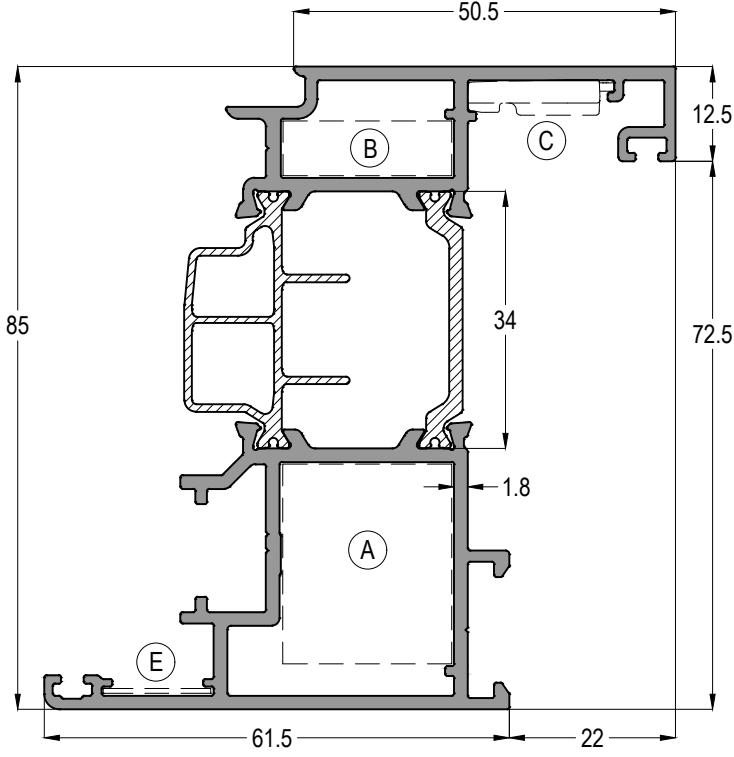
THS78

YALITIMLI KAPI-PENCERE SİSTEMİ
THERMAL WINDOW&DOOR SYSTEM

ASISTAL

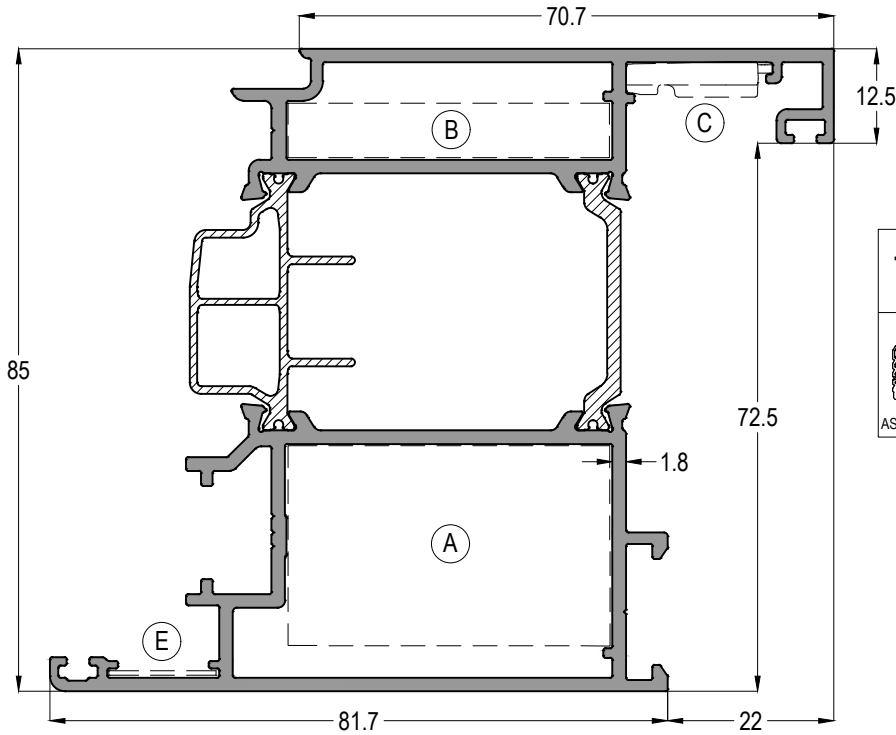
THS SERİSİ ÇOK NOKTADAN KİLİTLEME KANAT PROFİLLERİ

THS SERIES MULTI POINT LOCK SASH PROFILES



THS78 14		Jx cm ⁴	Jy cm ⁴
		68,77	25,58
AĞIRLIK / Weight		2,016 kg/mt	

A	B	C	E



THS78 15		Jx cm ⁴	Jy cm ⁴
		84,10	59,64
AĞIRLIK / Weight		2,410 kg/mt	

A	B	C	E

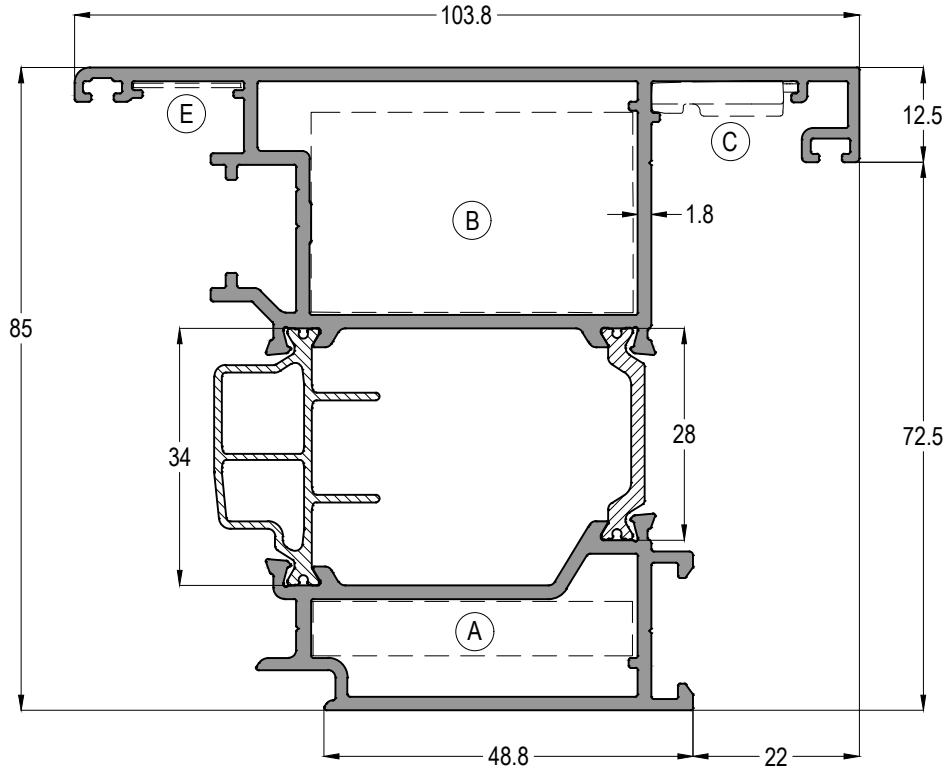
THS78

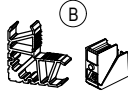



YALITIMLI KAPI-PENCERE SİSTEMİ
THERMAL WINDOW&DOOR SYSTEM

ASISTAL

THS SERİSİ ÇOK NOKTADAN KİLİTLEME KANAT PROFİLLERİ

THS SERIES MULTI POINT LOCK SASH PROFILES



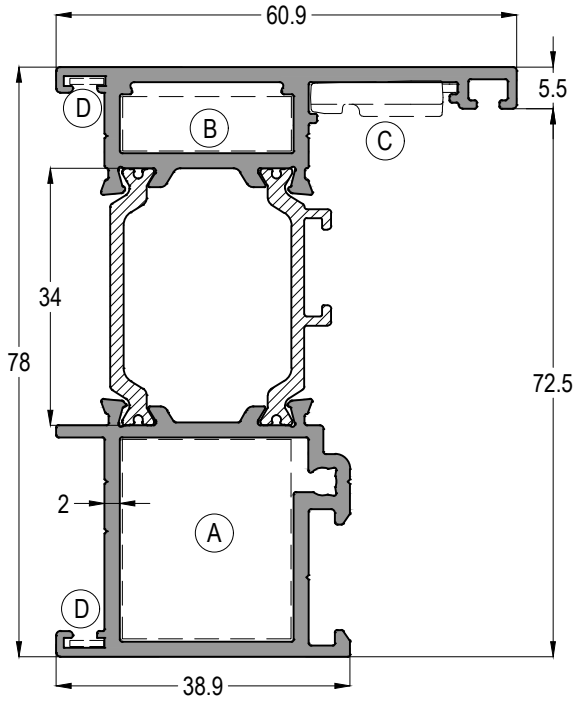
THS78 16		Jx cm ⁴	Jy cm ⁴
		83,01	59,94
			
AĞIRLIK / Weight			
2,432 kg/mt			

TH78 - 2mm

YALITIMLI KAPI-PENCERE SİSTEMİ
THERMAL WINDOW&DOOR SYSTEM



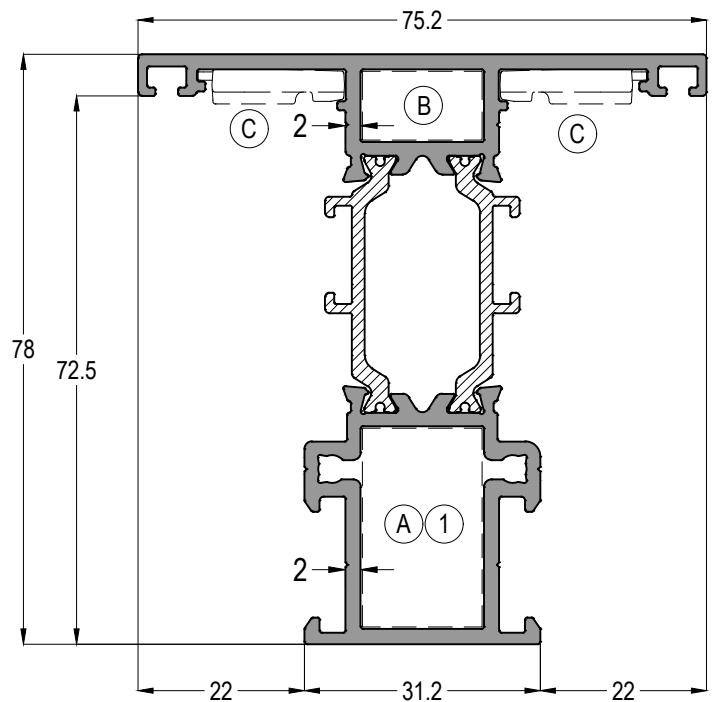
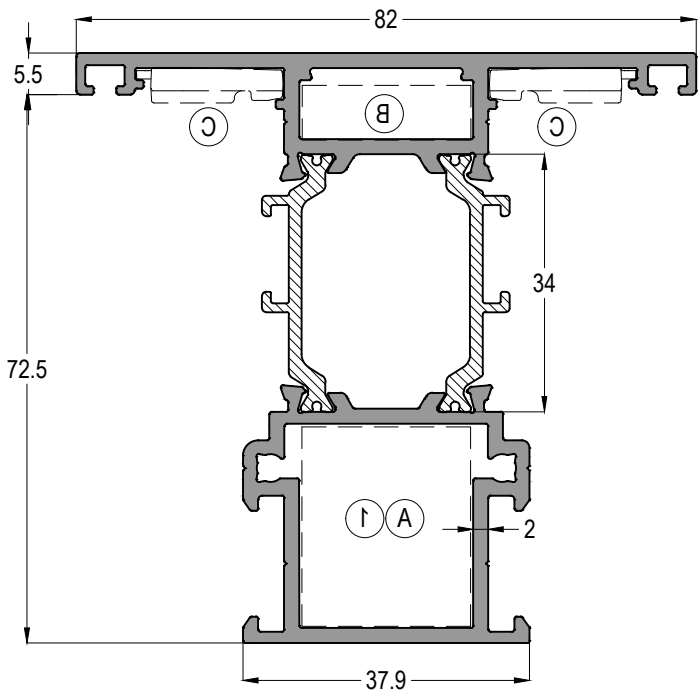
2 mm ET KALINLIĞINDA SİSTEM PROFİLLERİ 2 mm THICKNESS SYSTEM PROFILES



TH78 201				Jx cm ⁴	Jy cm ⁴
				48,58	12,14
(A)	(B)	(C)	(D)	AĞIRLIK / Weight	
ASI-KT 2660-ASI-PB 2660	ASI-KT 2308	ASI-FUJI 2000	ASI-SB 19	1,704 kg/mt	

TH78 222				Jx cm ⁴	Jy cm ⁴
				53,72	18,02
(A)	(B)	(C)	(1)	AĞIRLIK / Weight	
ASI-KT 2660-ASI-PB 2660	ASI-KT 2308	ASI-FUJI 2000	ASI-DB 9123	1,906 kg/mt	

TH78 226				Jx cm ⁴	Jy cm ⁴
				40,30	13,88
(A)	(B)	(C)	(1)	AĞIRLIK / Weight	
ASI-KT 1626	ASI-KT 1609	ASI-FUJI 2000	ASI-DB 9116	1,735 kg/mt	



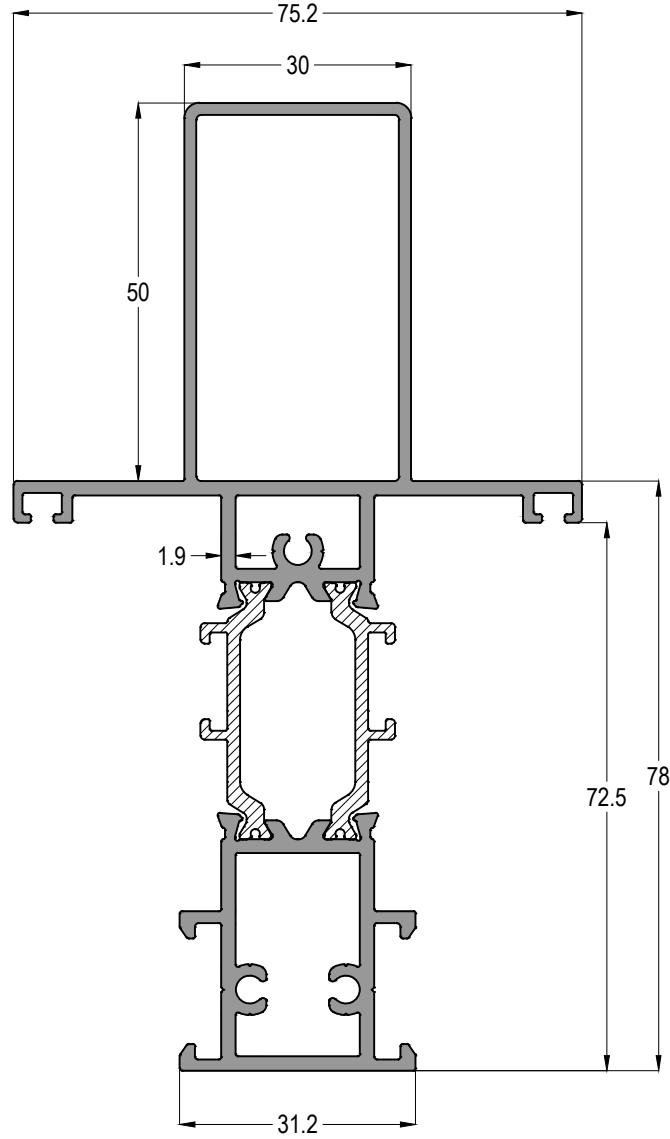
TH78 - 2mm

YALITIMLI KAPI-PENCERE SİSTEMİ
THERMAL WINDOW&DOOR SYSTEM

ASISTAL

2 mm ET KALINLIĞINDA SİSTEM PROFİLLERİ

2 mm THICKNESS SYSTEM PROFILES



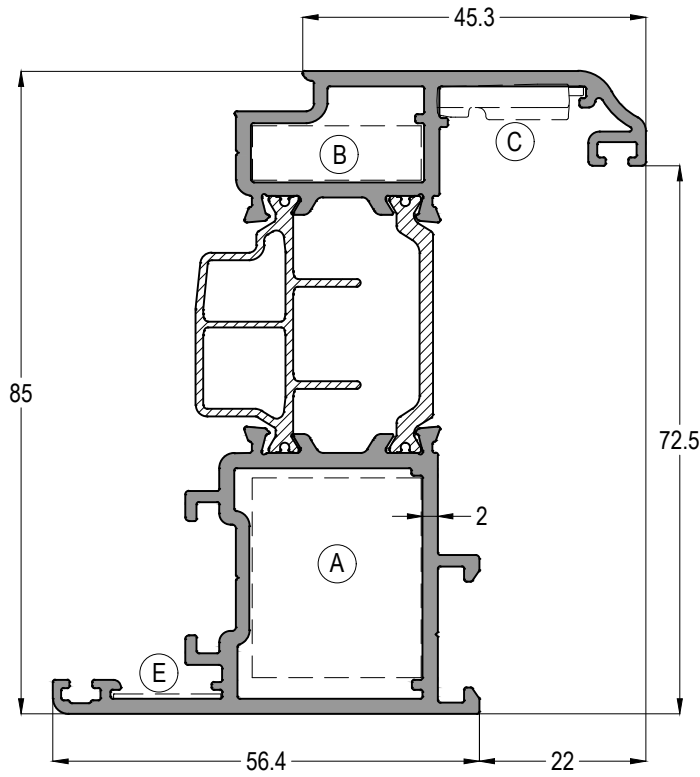
TH78 225	Jx cm ⁴	Jy cm ⁴
	119,24	16,41
	AĞIRLIK / Weight	
	2,280 kg/mt	

TH78 - 2mm

YALITIMLI KAPI-PENCERE SİSTEMİ
THERMAL WINDOW&DOOR SYSTEM

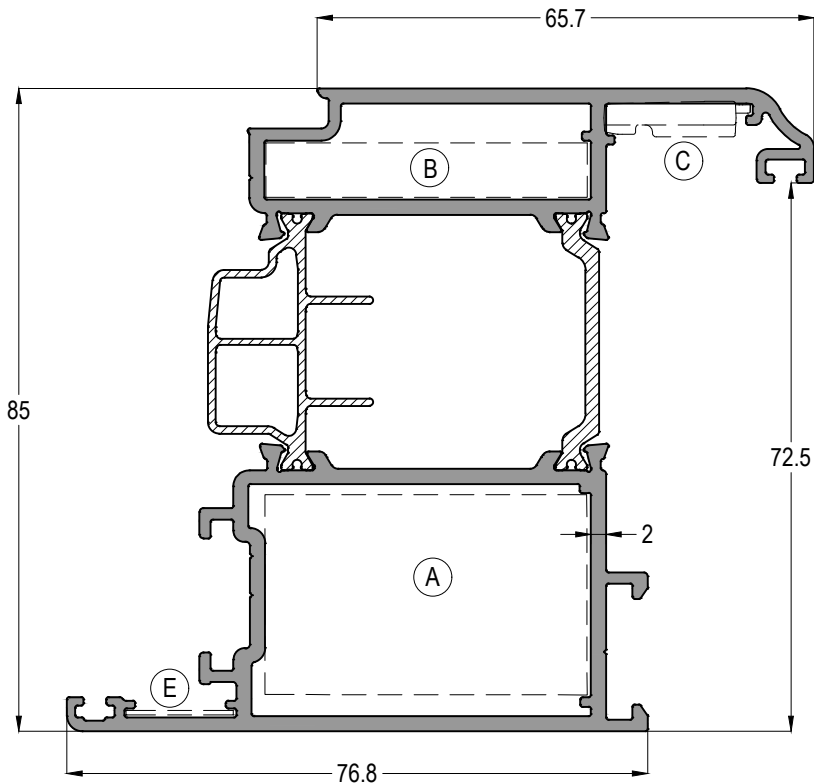
ASISTAL

2 mm ET KALINLIĞINDA SİSTEM PROFİLLERİ 2 mm THICKNESS SYSTEM PROFILES



TH78 211		Jx cm ⁴	Jy cm ⁴
		63,31	19,21
AĞIRLIK / Weight			
1,971 kg/mt			

ASI-KT 2660-ASI-PB 2660 ASI-KT 2308 ASI-FUJII 2000 ASI-SB 19.1



TH78 212		Jx cm ⁴	Jy cm ⁴
		84,00	50,54
AĞIRLIK / Weight			
2,403 kg/mt			

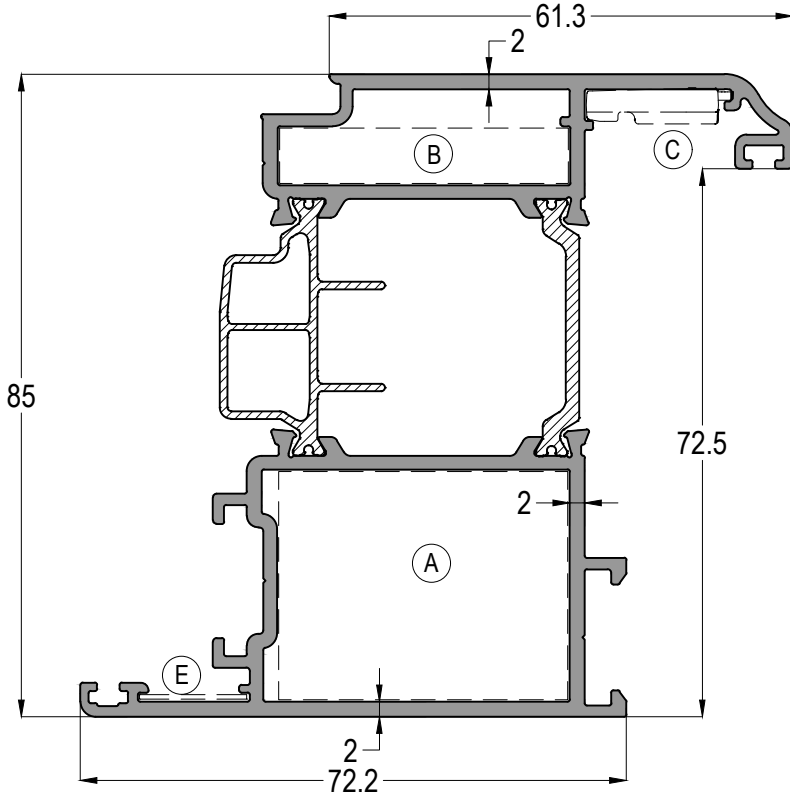
ASI-KT 2650-ASI-PB 2650 ASI-KT 4308 ASI-FUJII 2000 ASI-SB 19.1

TH78 - 2mm

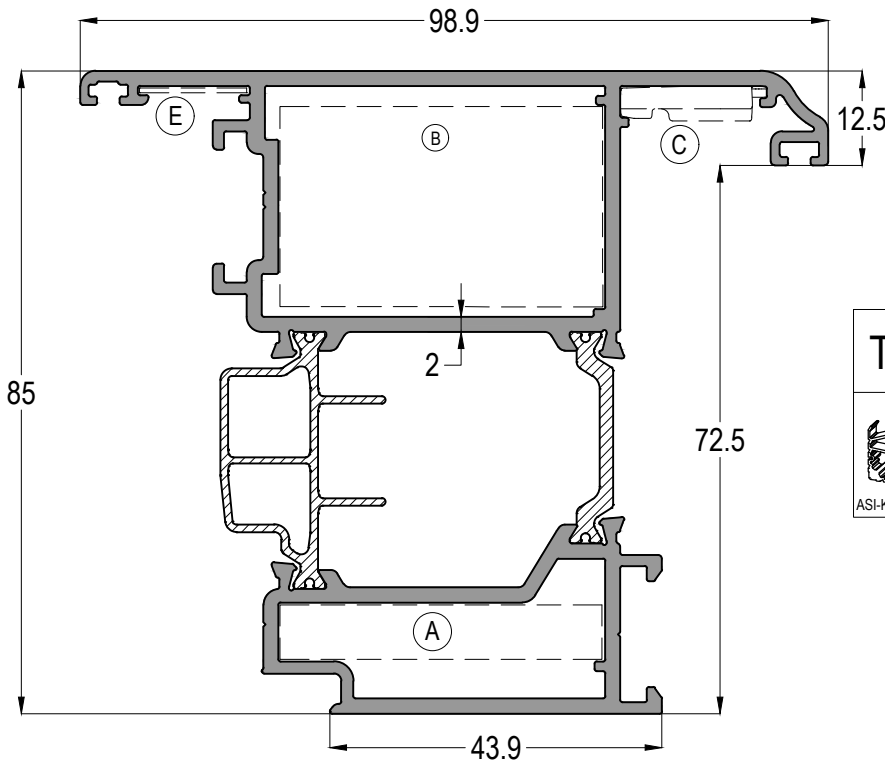
YALITIMLI KAPI-PENCERE SİSTEMİ
THERMAL WINDOW&DOOR SYSTEM

ASISTAL

2 mm ET KALINLIĞINDA SİSTEM PROFİLLERİ 2 mm THICKNESS SYSTEM PROFILES



TH78 215				Jx cm ⁴	Jy cm ⁴
				34,13	27,60
(A)	(B)	(C)	(E)	AĞIRLIK / Weight	
				2,265 kg/mt	



TH78 213				
				AĞIRLIK / Weight
				2,460 kg/mt

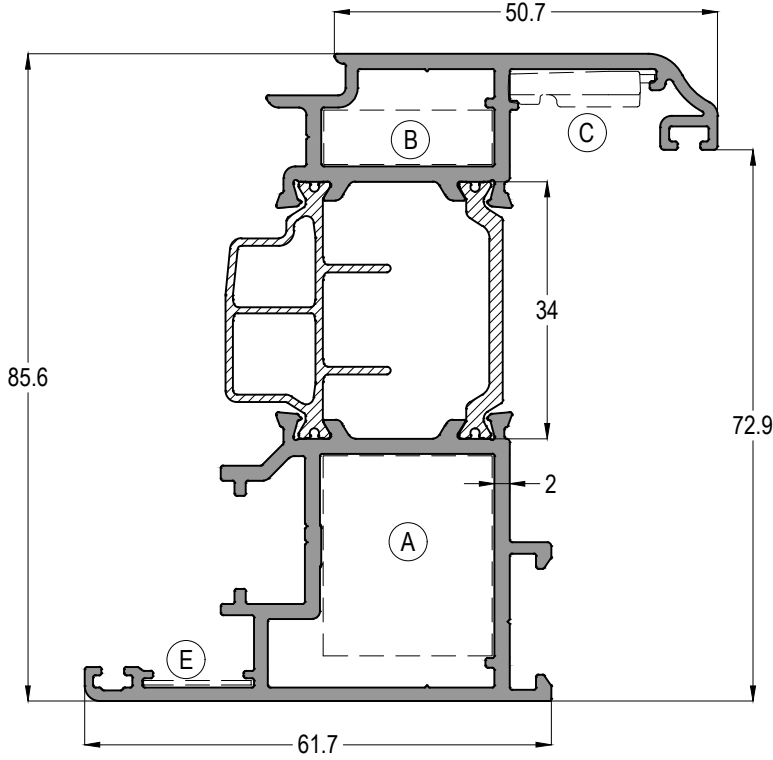
TH78 - 2mm

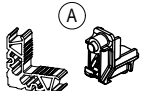


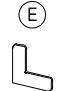
YALITIMLI KAPI-PENCERE SİSTEMİ
THERMAL WINDOW&DOOR SYSTEM

ASISTAL

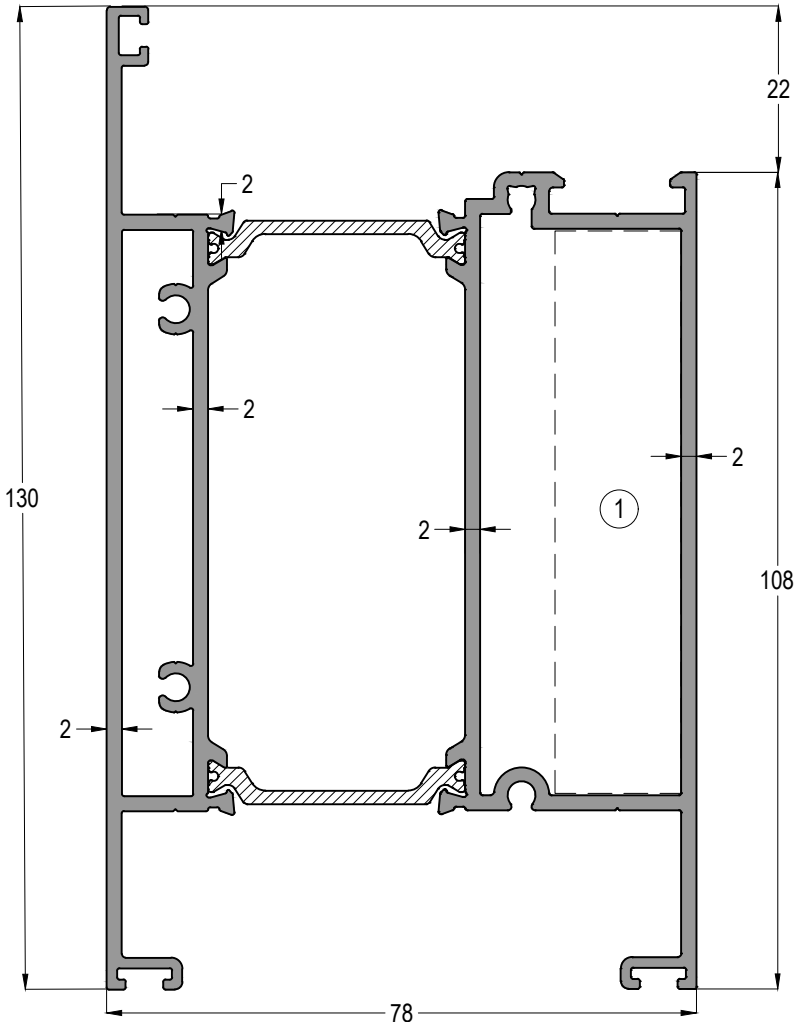
2 mm ET KALINLIĞINDA SİSTEM PROFİLLERİ

2 mm THICKNESS SYSTEM PROFILES



TH78 214		Jx cm ⁴	Jy cm ⁴
		71,36	25,10
 (A)	 (B)	 (C)	 (E)
AĞIRLIK / Weight			
2,098 kg/mt			

ASI-KT 2660-ASI-PB 2660 ASI-KT 2308 ASI-FUJI 2000 ASI-SB 19.1



TH78 231		AĞIRLIK / Weight
 (1)		3,162 kg/mt

ASI-DB 9174

Profil ağırlıklarımız teorik olup; teslim anındaki tartımız geçerlidir.
Profile weights are theoretical and the weight at the time of delivery is valid.

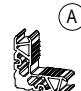
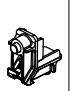
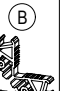
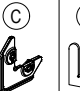
TH78 - 1,6mm

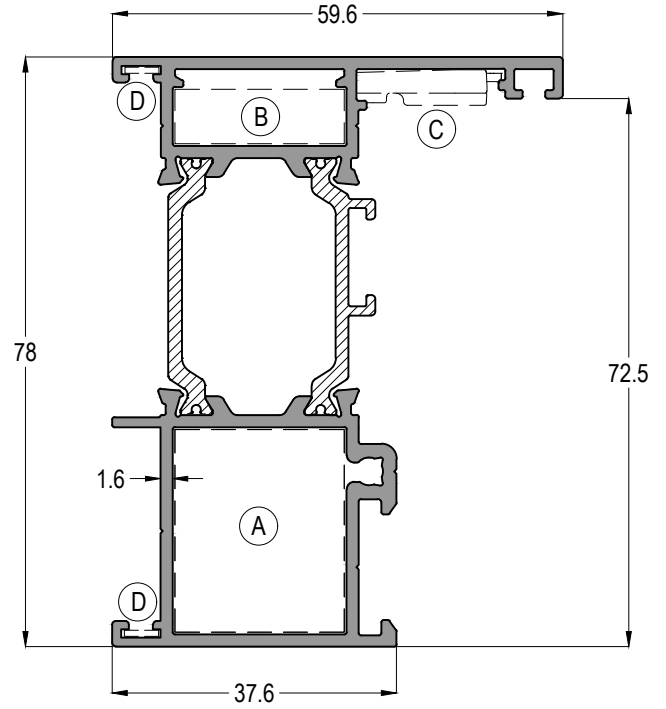
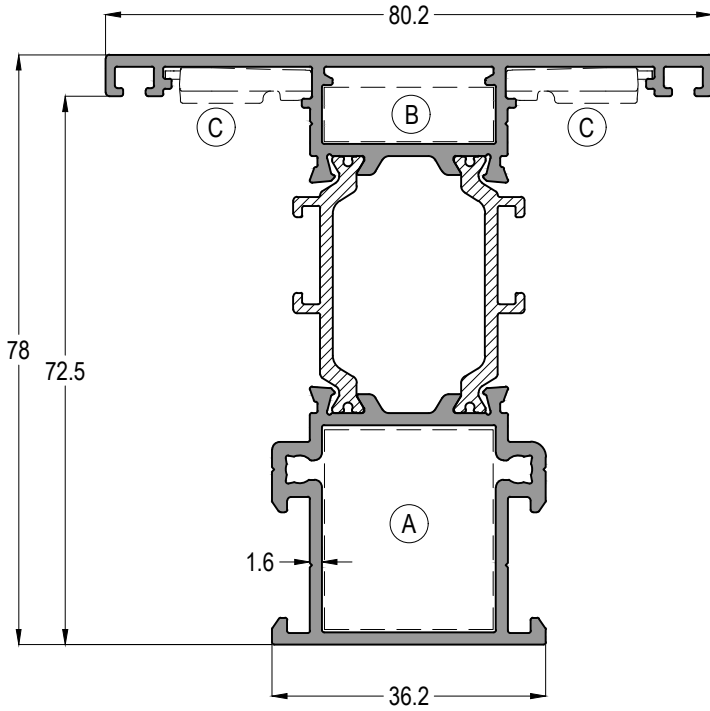
YALITIMLI KAPI-PENCERE SİSTEMİ
THERMAL WINDOW&DOOR SYSTEM

ASISTAL

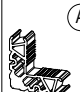
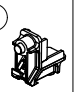
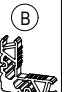

1,6 mm ET KALINLIĞINDA SİSTEM PROFİLLERİ 1,6 mm THICKNESS SYSTEM PROFILES

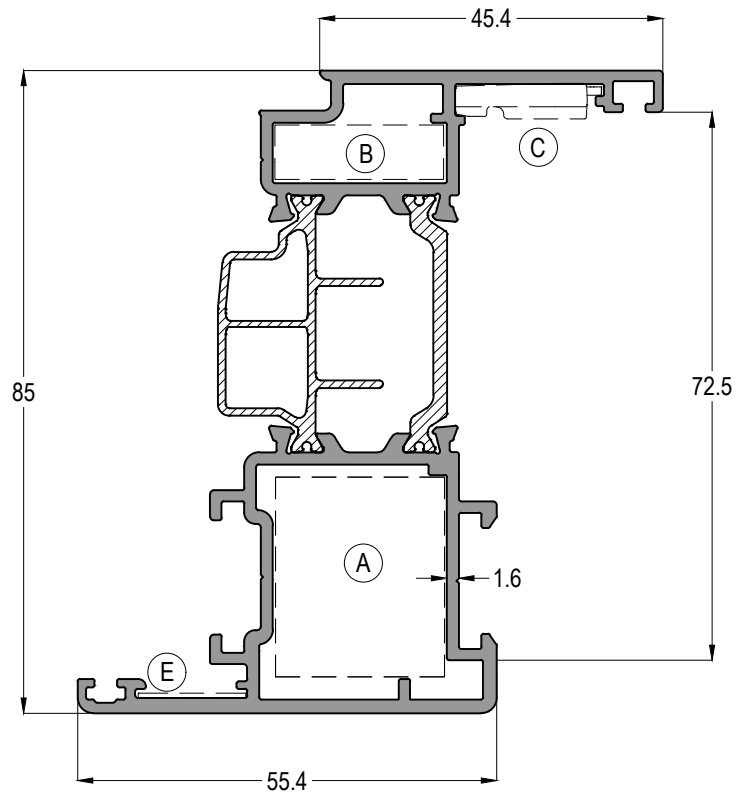
TH78 161

				AĞIRLIK / Weight
ASI-KT 2660-ASI-PB 2660	ASI-KT 2308	ASI-FUJI 2000	ASI-SB 19	1,481 kg/mt


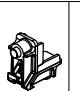
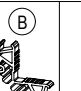
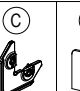


TH78 162

	Jx cm ⁴	Jy cm ⁴		
	47,16	17,10		
				AĞIRLIK / Weight
ASI-KT 2660-ASI-PB 2660	ASI-KT 2308	ASI-FUJI 2000	ASI-DB 9123	1,654 kg/mt



TH78 163

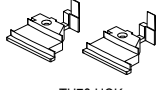
				AĞIRLIK / Weight
ASI-KT 2660-ASI-PB 2660	ASI-KT 2308	ASI-FUJI 2000	ASI-SB 19.1	1,792 kg/mt

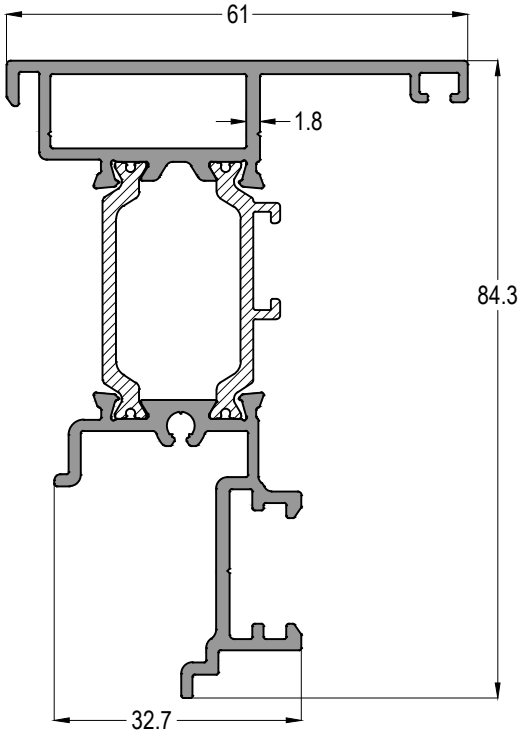
Profil ağırlıklarımız teorik olup; teslim anındaki tartımız geçerlidir.
Profile weights are theoretical and the weight at the time of delivery is valid.




TH78

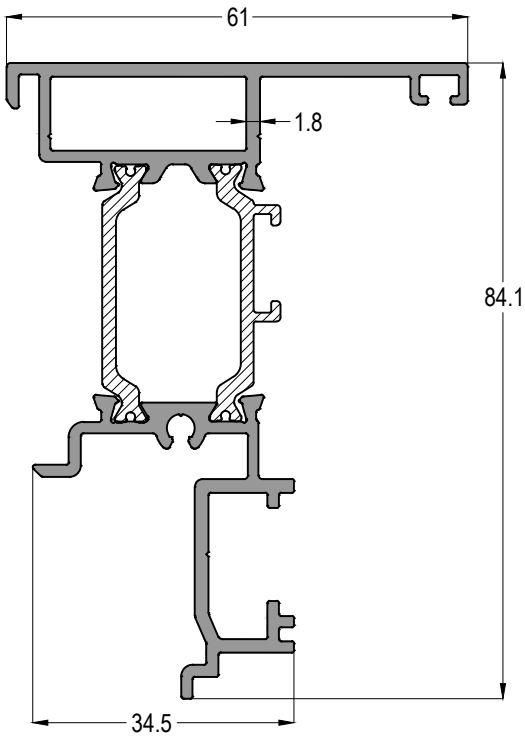
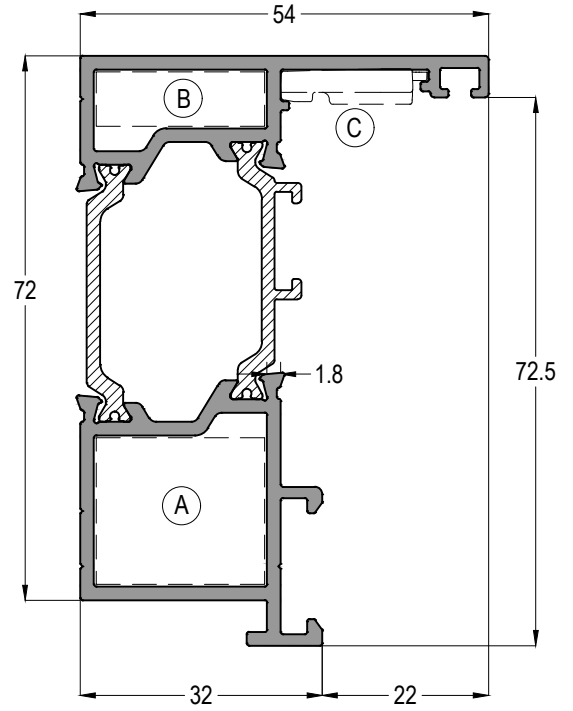
YALITIMLI KAPI-PENCERE SİSTEMİ
THERMAL WINDOW&DOOR SYSTEM

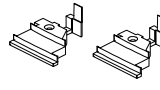


TH78 41	
 TH78 HOK	AĞIRLIK / Weight 1,388 kg/mt



TH78 43		
 ASI-KT 2319	 ASI-KT 2308	 ASI-FUJI 2000
AĞIRLIK / Weight 1,473 kg/mt		



TH78 42	
 TH78 HOK	AĞIRLIK / Weight 1,418 kg/mt

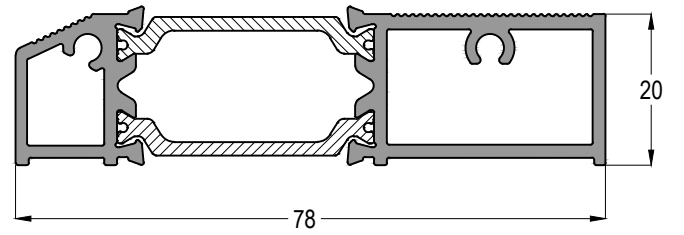
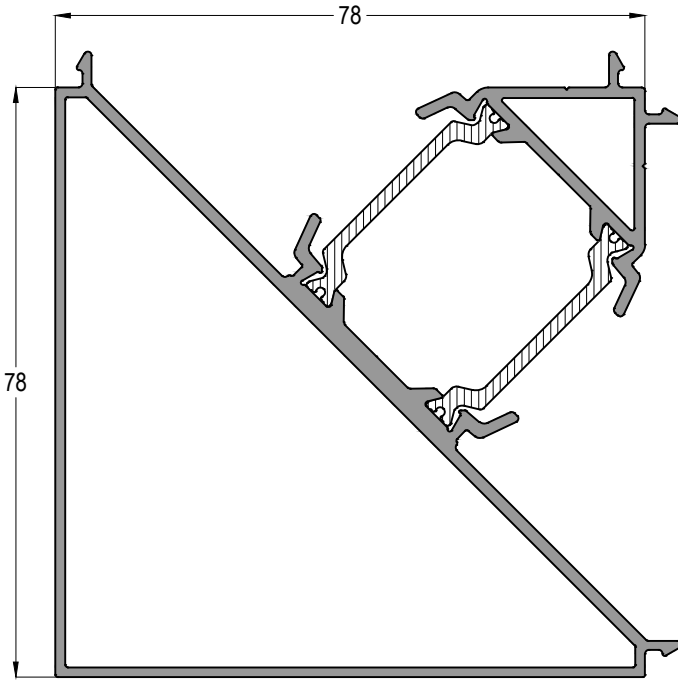
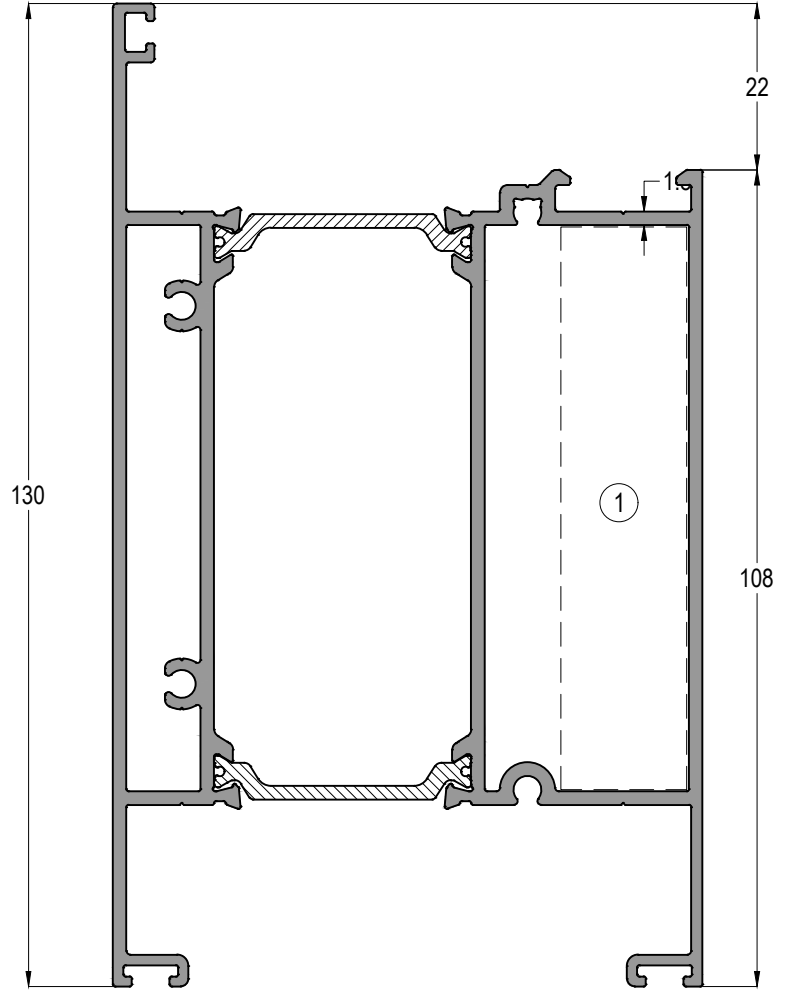
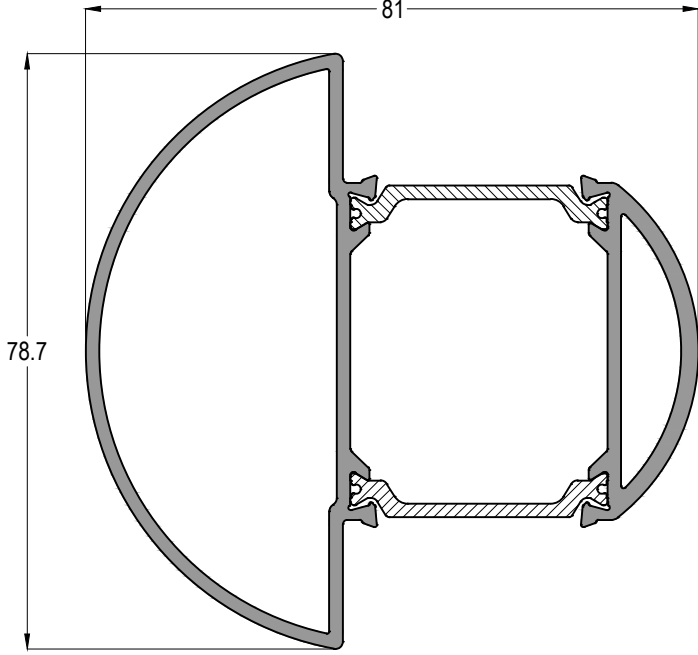
TH78

YALITIMLI KAPI-PENCERE SİSTEMİ
THERMAL WINDOW&DOOR SYSTEM

ASISTAL

TH78 52	Jx cm ⁴	Jy cm ⁴
	31,05	43,95
	AĞIRLIK / Weight	
		1,761 kg/mt

TH78 31	Jx cm ⁴	Jy cm ⁴
	136,54	92,88
	AĞIRLIK / Weight	
		2,917 kg/mt



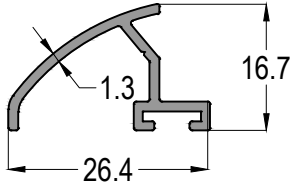
TH78 53	Jx cm ⁴	Jy cm ⁴
	44,84	52,74
	AĞIRLIK / Weight	
		1,911 kg/mt

TH78 30	AĞIRLIK / Weight	
	1,117 kg/mt	

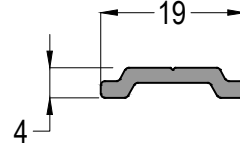
TH78

YALITIMLI KAPI-PENCERE SİSTEMİ
THERMAL WINDOW&DOOR SYSTEM

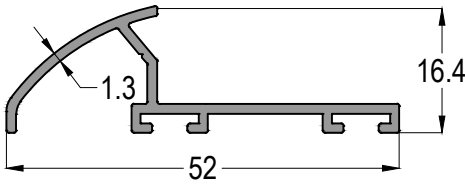
ASISTAL



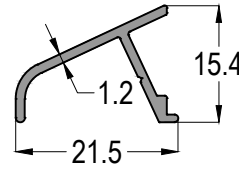
12-01
0,198 kg/mt



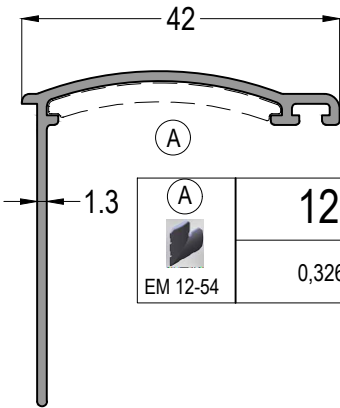
12-41
0,118 kg/mt



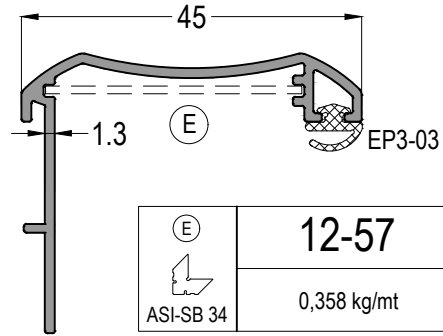
12-03
0,314 kg/mt



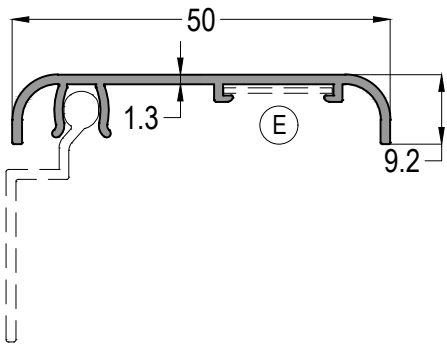
12-02
0,136 kg/mt



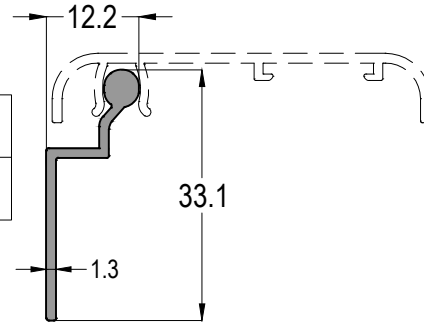
12-54
0,326 kg/mt



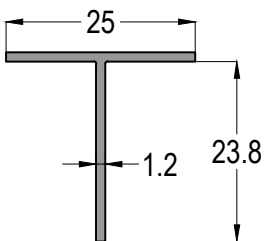
12-57
0,358 kg/mt



12-52
0,279 kg/mt



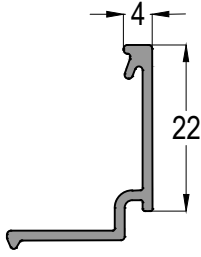
12-53
0,177 kg/mt



04-025025-12
0,159 kg/mt

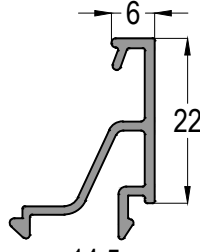
11-004

0,181 kg/mt



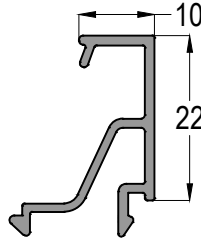
11-006

0,218 kg/mt



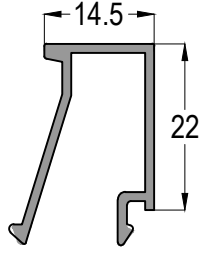
11-010

0,233 kg/mt



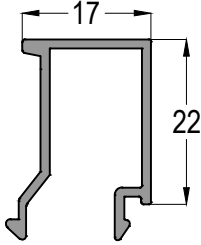
11-015

0,242 kg/mt



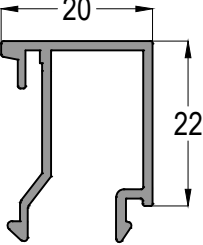
11-017

0,250 kg/mt



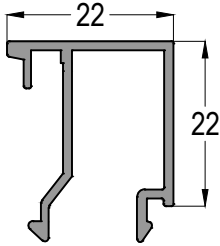
11-020

0,276 kg/mt



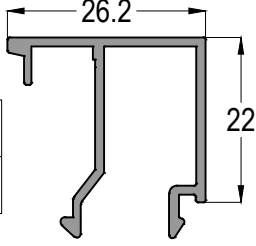
11-022

0,282 kg/mt



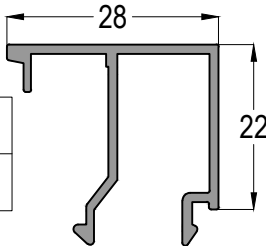
11-026

0,296 kg/mt



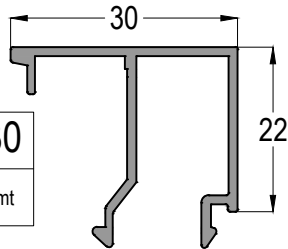
11-028

0,302 kg/mt



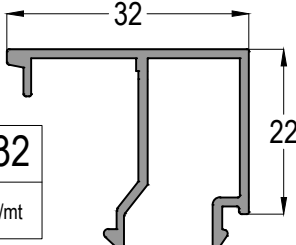
11-030

0,308 kg/mt



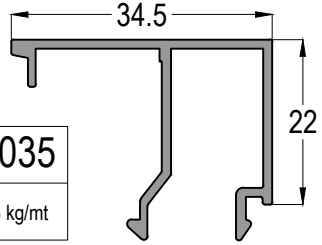
11-032

0,315 kg/mt



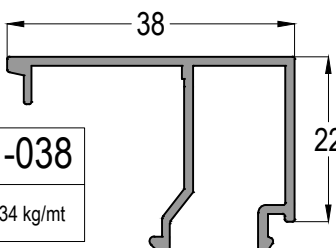
11-035

0,323 kg/mt



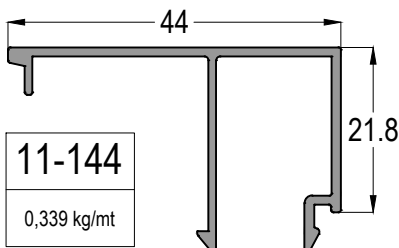
11-038

0,334 kg/mt



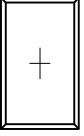
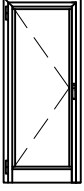
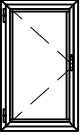
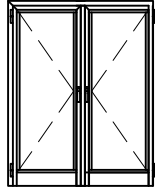
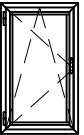
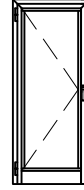
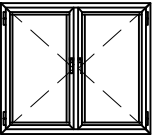
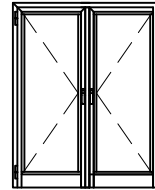
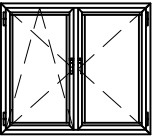
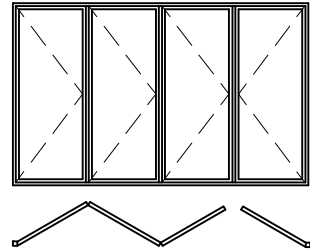
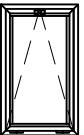
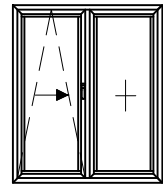
11-144

0,339 kg/mt


CAM KALINLIĞINA GÖRE CAM ÇİTASI SEÇİM TABLOSU
 Glazing Bead Selection Table according to the Glass
 Thickness

CAM KALINLIĞI Glass Thickness (mm)	CAM ÇİTASI Glazing Bead	İÇ CAM FİTİLİ Glass Gasket (IN)	DIŞ CAM FİTİLİ Glass Gasket (OUT)
20	11-144	EP2-03	EP1-01
26	11-038	EP2-03	EP1-01
28	11-038	EP2-01	EP1-01
29	11-035	KC-06	EP1-01
30	11-035	EP2-03	EP1-01
31	11-035	EP2-02	EP1-01
32	11-032	EP2-03	EP1-01
33	11-032	EP2-02	EP1-01
34	11-030	EP2-03	EP1-01
35	11-030	EP2-02	EP1-01
36	11-028	EP2-03	EP1-01
37	11-028	EP2-02	EP1-01
38	11-026	EP2-03	EP1-01
39	11-026	EP2-02	EP1-01
40	11-026	EP2-01	EP1-01
42	11-022	EP2-03	EP1-01
43	11-022	EP2-02	EP1-01
44	11-020	EP2-03	EP1-01
45	11-020	EP2-02	EP1-01
46	11-017	KC-07	EP1-01
47	11-017	EP2-03	EP1-01
48	11-017	EP2-02	EP1-01
50	11-015	EP2-03	EP1-01
52	11-015	EP2-01	EP1-01
54	11-010	EP2-03	EP1-01
55	11-010	EP2-02	EP1-01
57	11-006	KC-07	EP1-01
58	11-006	KC-06	EP1-01
59	11-006	EP2-03	EP1-01
60	11-004	KC-06	EP1-01
62	11-004	EP2-01	EP1-01

AÇILIM TİPLERİ - OPENING TYPES

 <p>SABİT <i>FIXED</i></p>	 <p>TEK KANAT İÇE AÇILIR KAPI <i>SINGLE INNER OPENING DOOR</i></p>
 <p>TEK AÇILIR KANAT <i>SINGLE OPENING SASH</i></p>	 <p>ÇİFT KANAT İÇE AÇILIR KAPI <i>DOUBLE INNER OPENING DOOR</i></p>
 <p>TEK KANAT ÇİFT EKSEN AÇILIM KANAT <i>SINGLE TILT-TURN OPENING SASH</i></p>	 <p>TEK KANAT DIŞA AÇILIR KAPI <i>SINGLE OUTER OPENING DOOR</i></p>
 <p>ÇİFT AÇILIR KANAT <i>DOUBLE OPENING SASH</i></p>	 <p>ÇİFT KANAT DIŞA AÇILIR KAPI <i>DOUBLE OUTER OPENING DOOR</i></p>
 <p>ÇİFT EKSEN AÇILIM KANAT <i>DOUBLE TILT-TURN OPENING SASH</i></p>	 <p>KATLANIR KAPI <i>FOLDING DOOR</i></p>
 <p>VASİSTAS AÇILIR KANAT <i>VENT OPENING SASH</i></p>	 <p>PARALEL SÜRME KAPI <i>PARALLEL SLIDING OPENING DOOR</i></p>

TH78

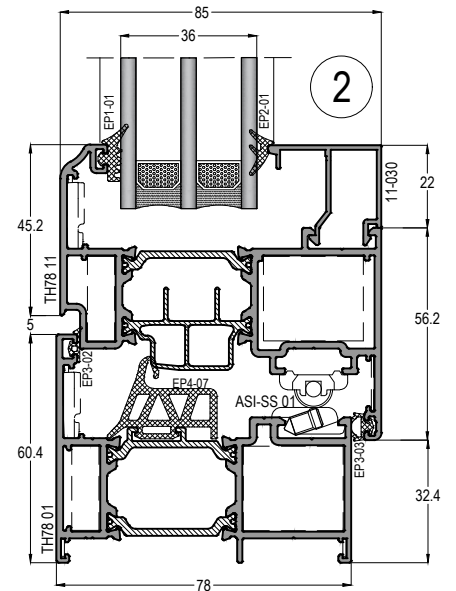
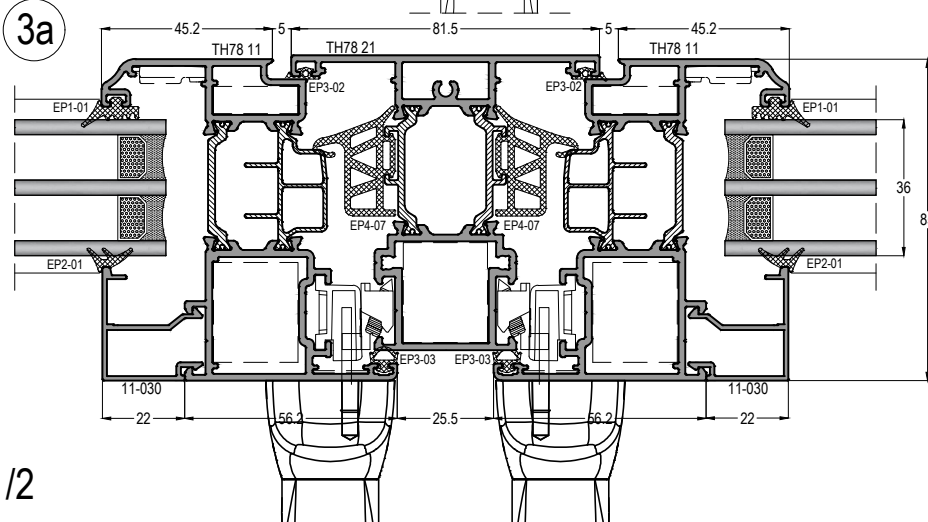
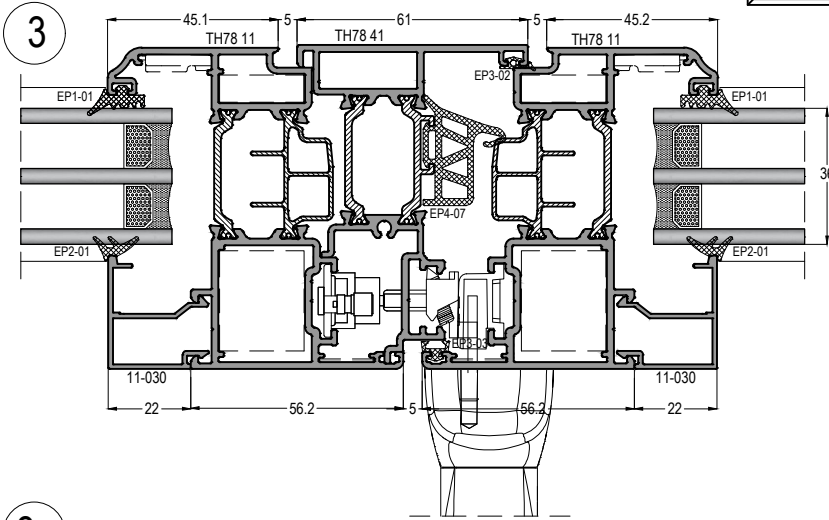
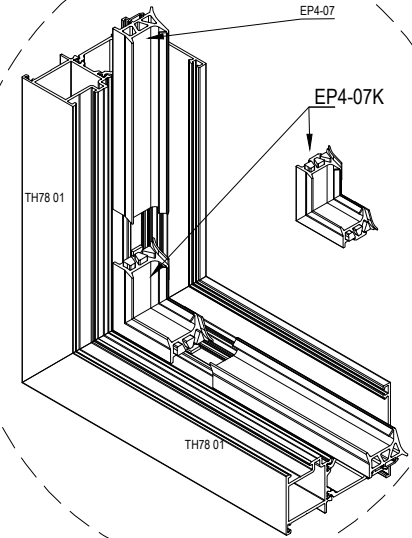
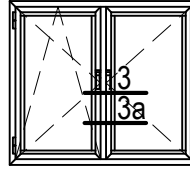
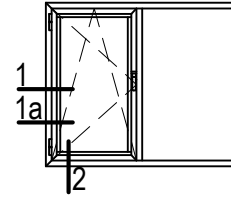
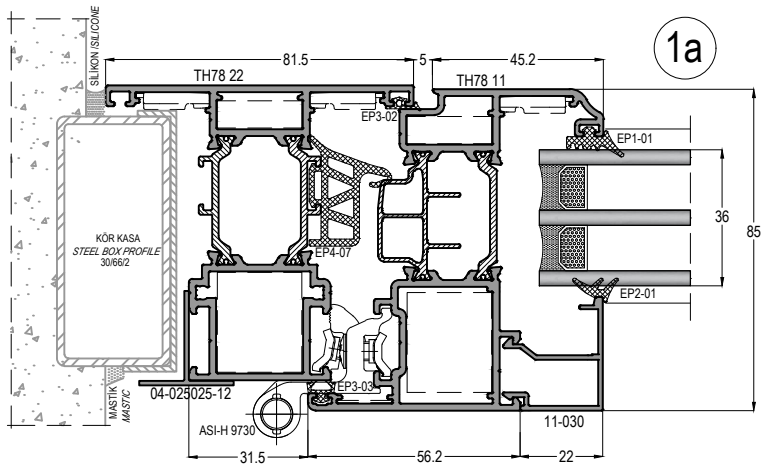
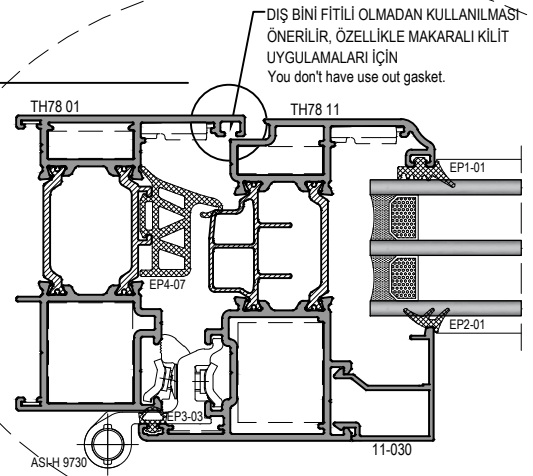
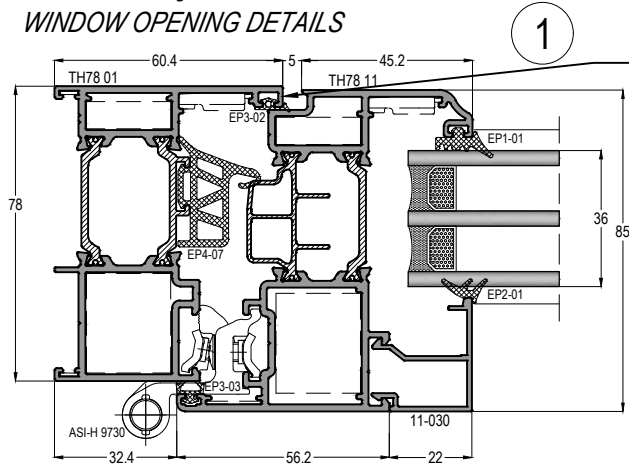
YALITIMLI KAPI-PENCERE SİSTEMİ
THERMAL WINDOW&DOOR SYSTEM

ASISTAL

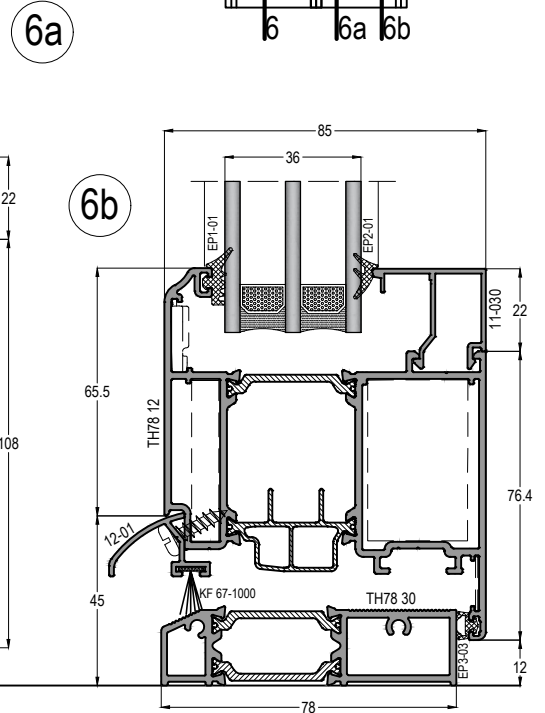
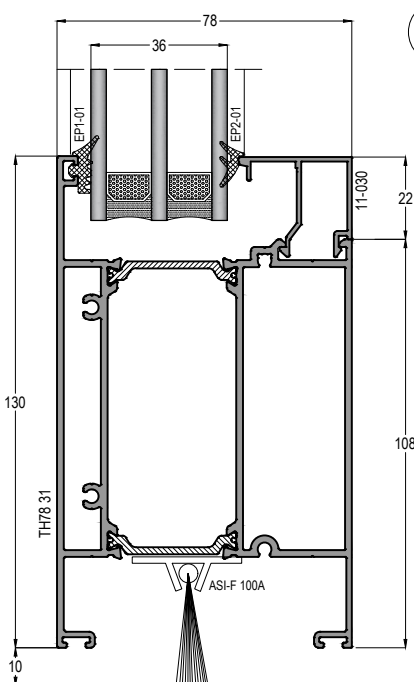
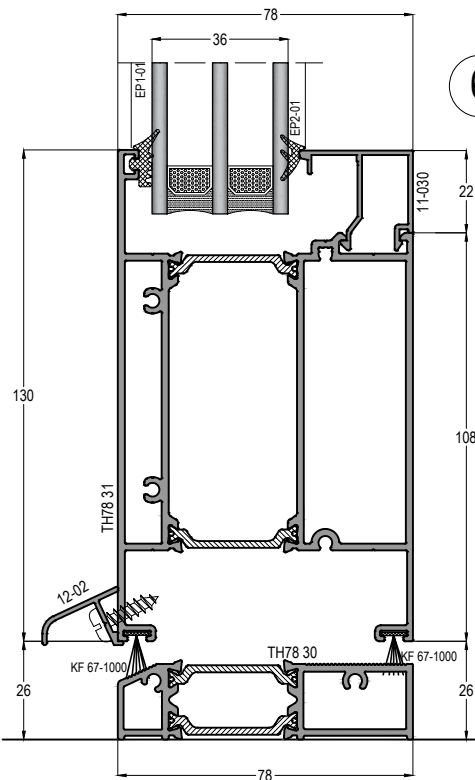
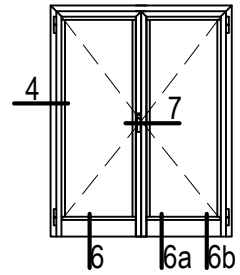
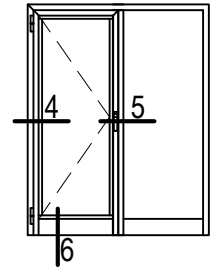
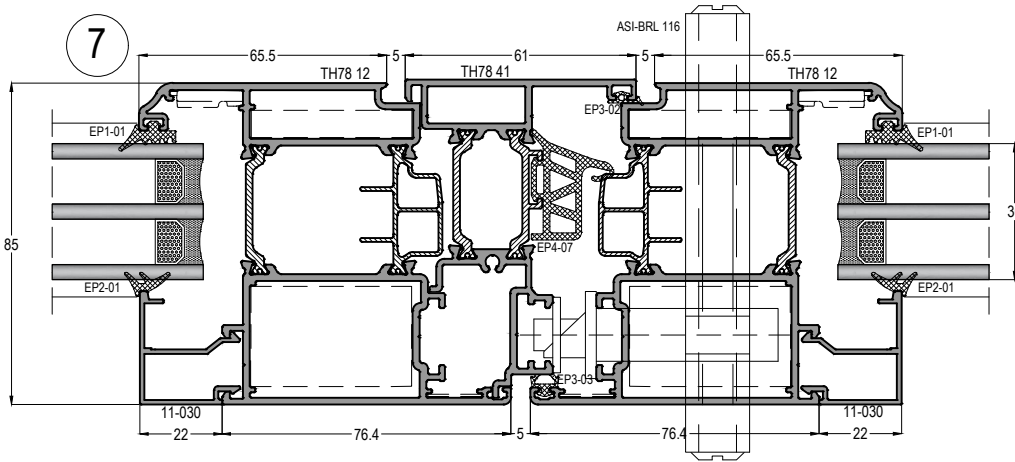
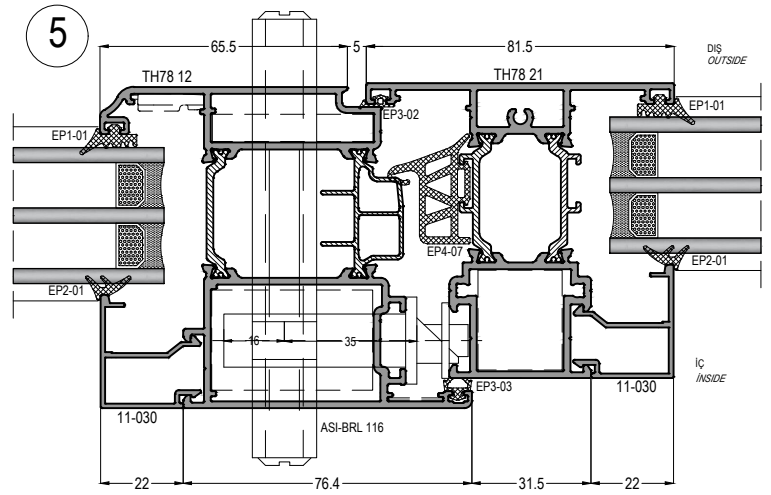
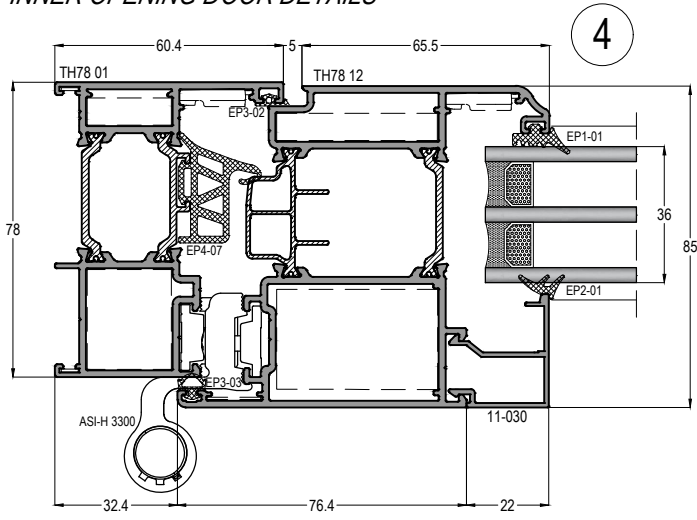
SİSTEM DETAYLARI
SYSTEM DETAILS

PENCERE AÇILIM DETAYLARI

WINDOW OPENING DETAILS

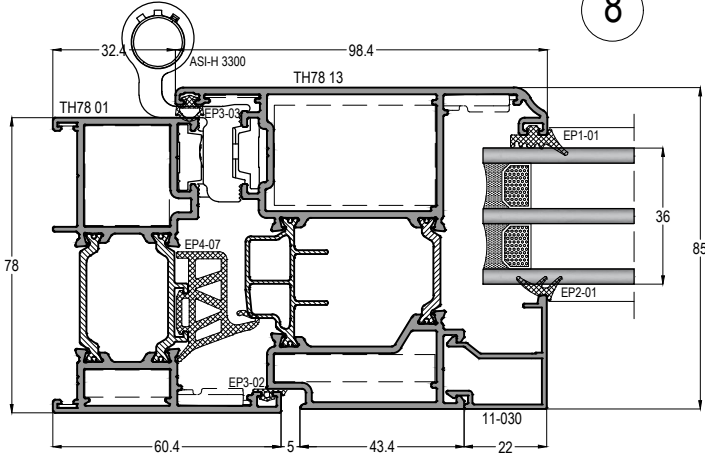


İÇE AÇILIR KAPI DETAYLARI INNER OPENING DOOR DETAILS

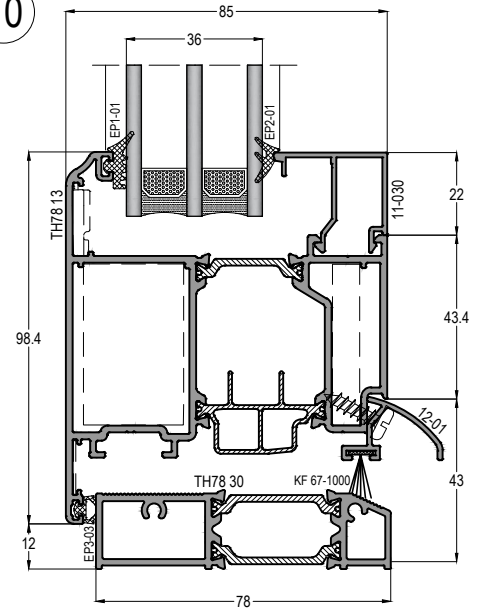


DIŞA AÇILIR KAPI DETAYLARI OUTER OPENING DOOR DETAILS

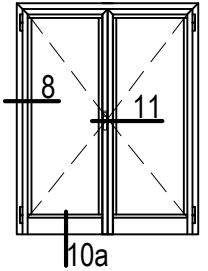
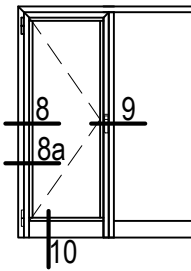
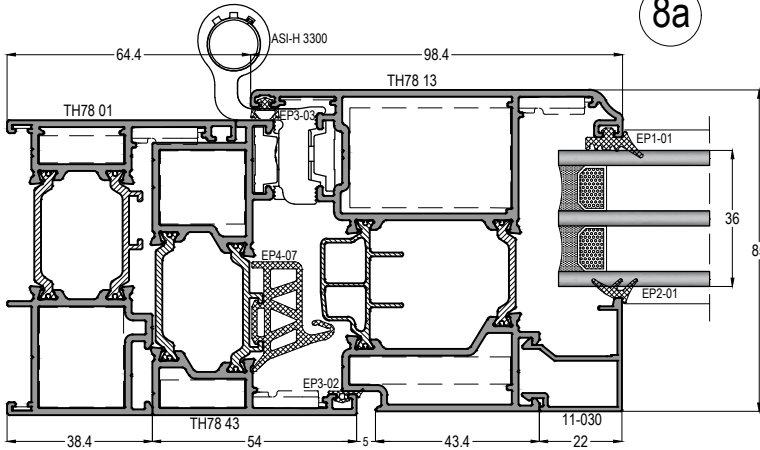
8



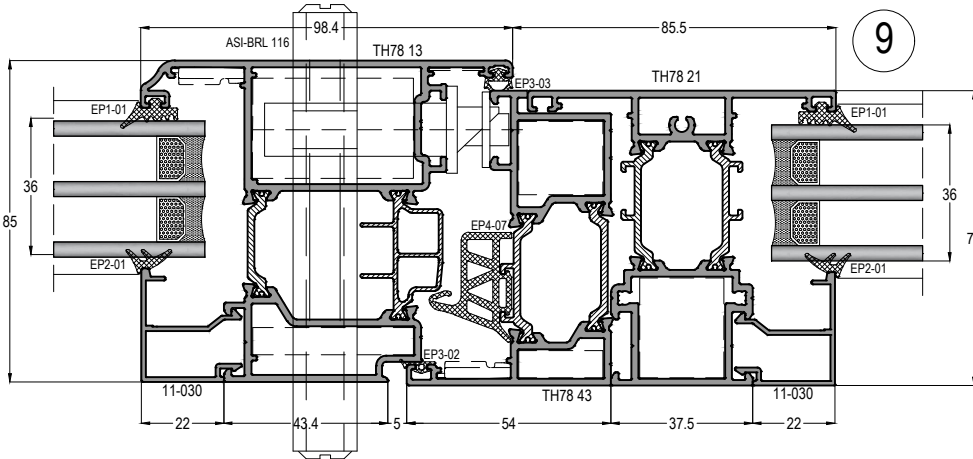
10



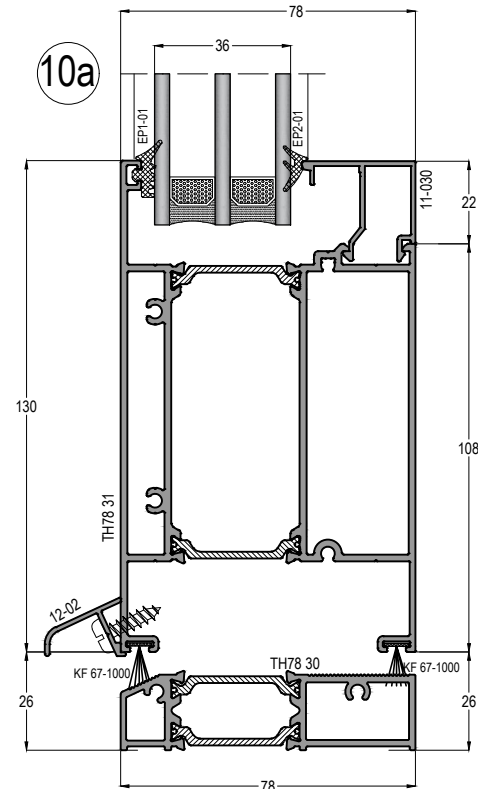
8a



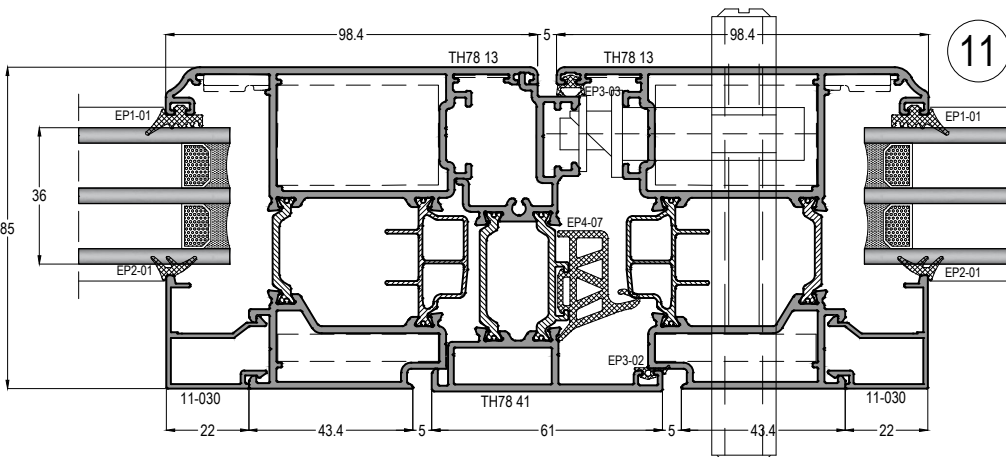
9

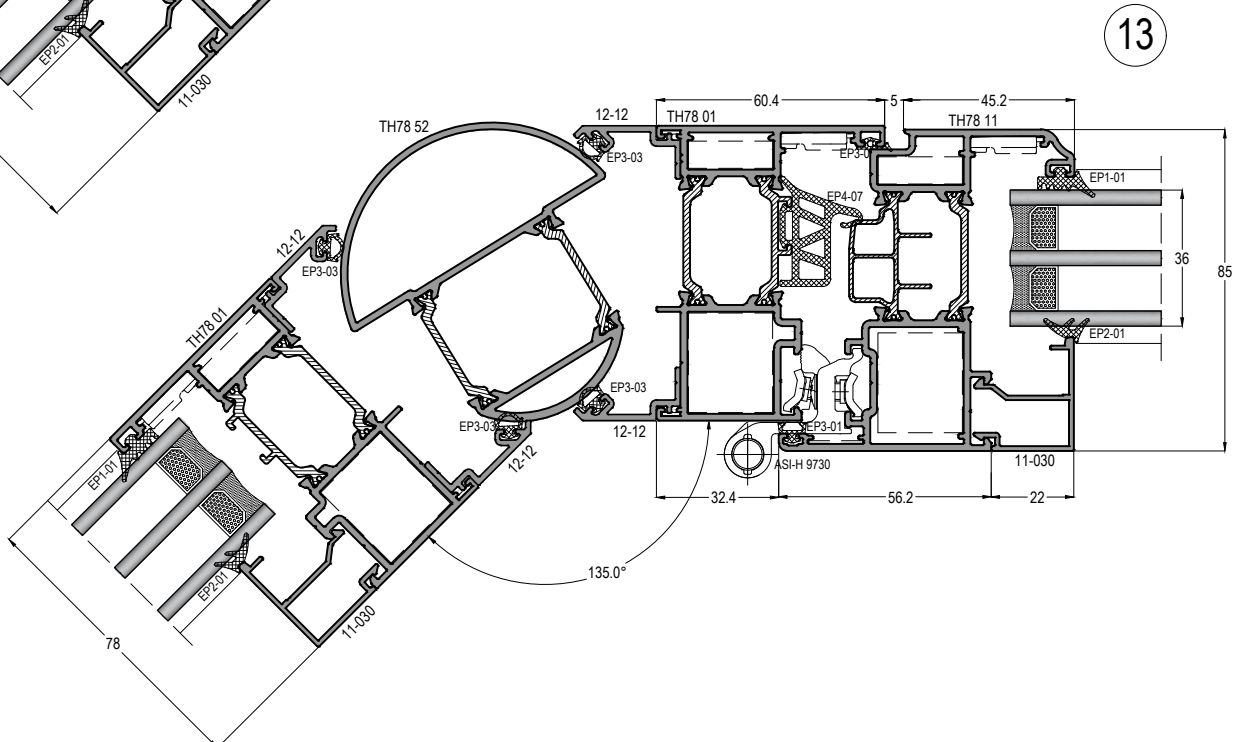
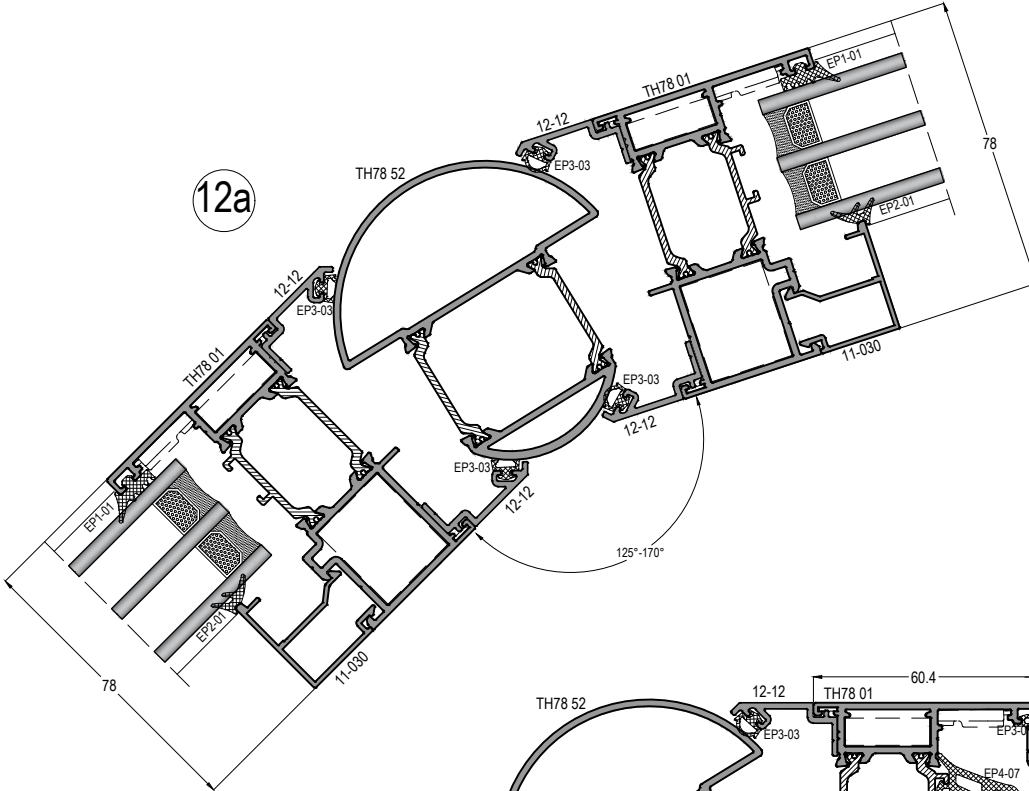
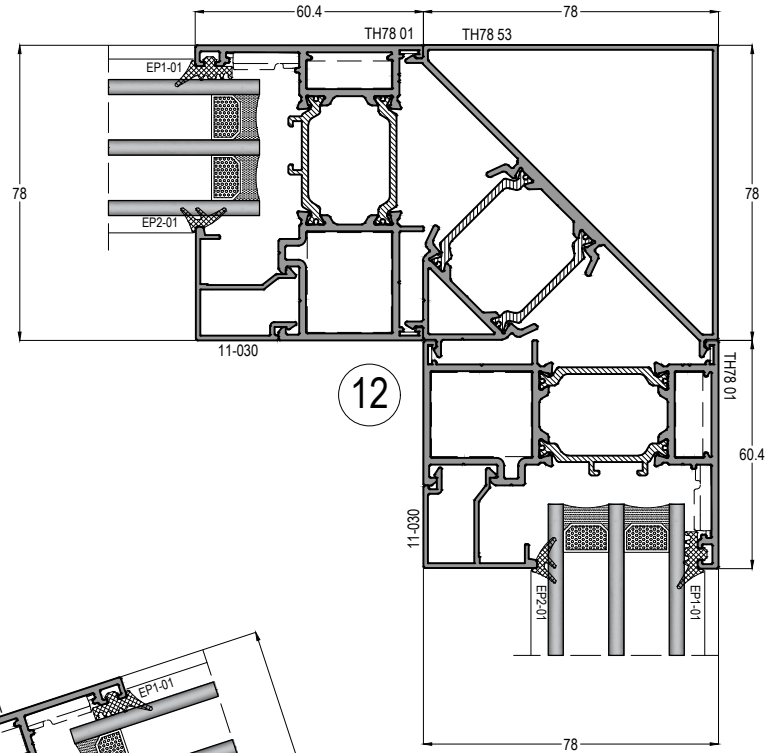
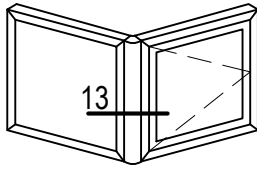
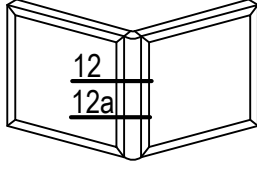


10a



11

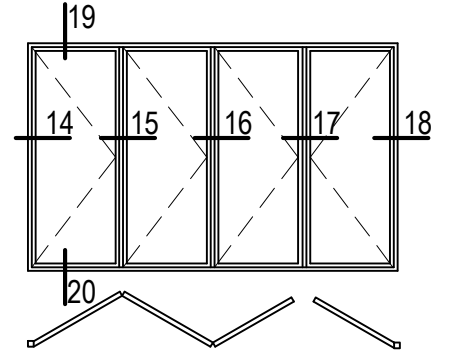
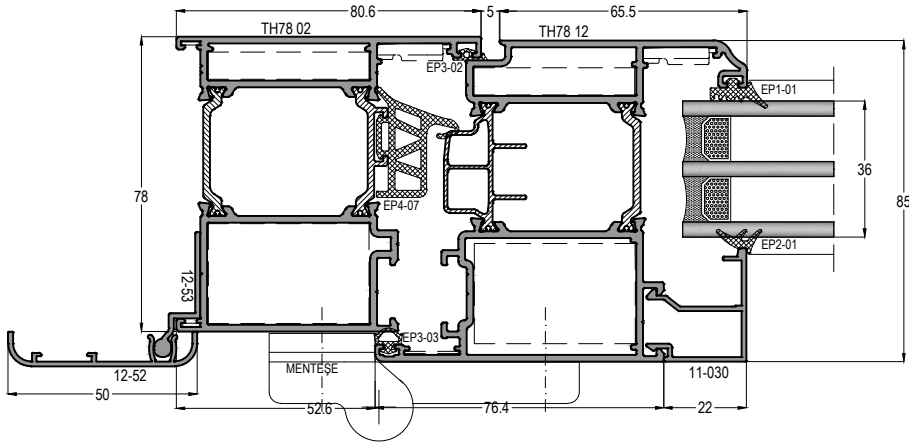


KÖŞE DETAYLARI
CORNER DETAILS

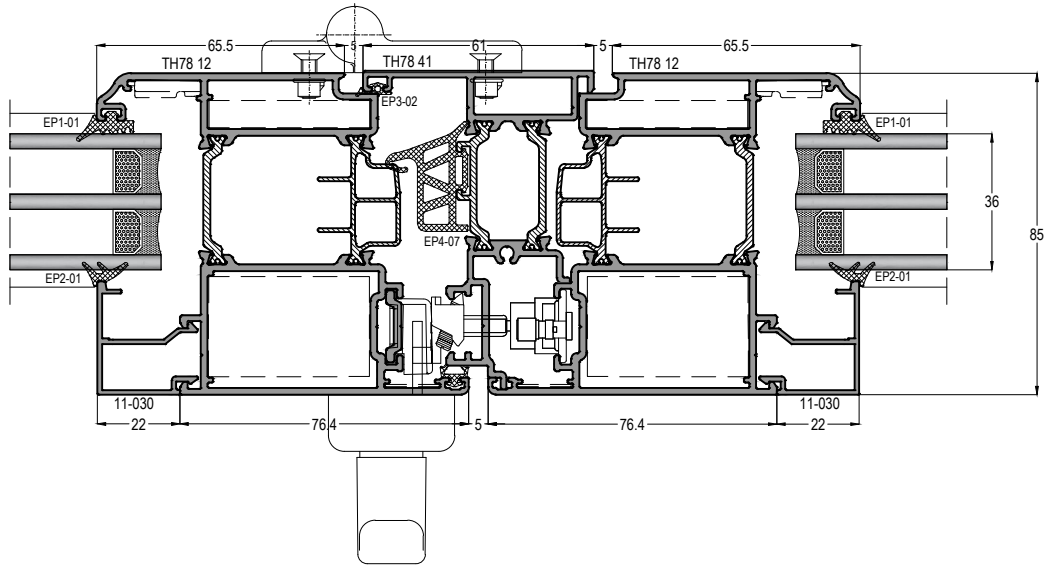
KATLANIR KAPI DETAYLARI

FOLDING DOOR DETAILS

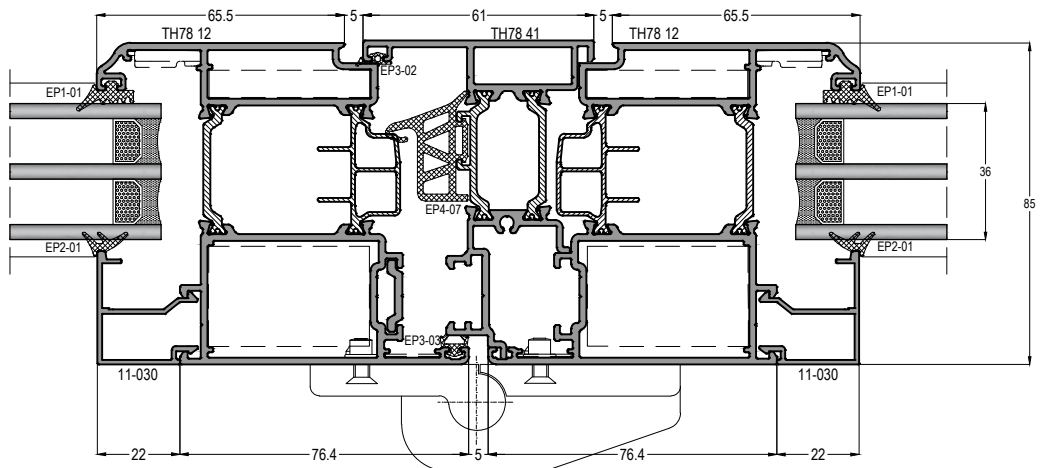
14



15



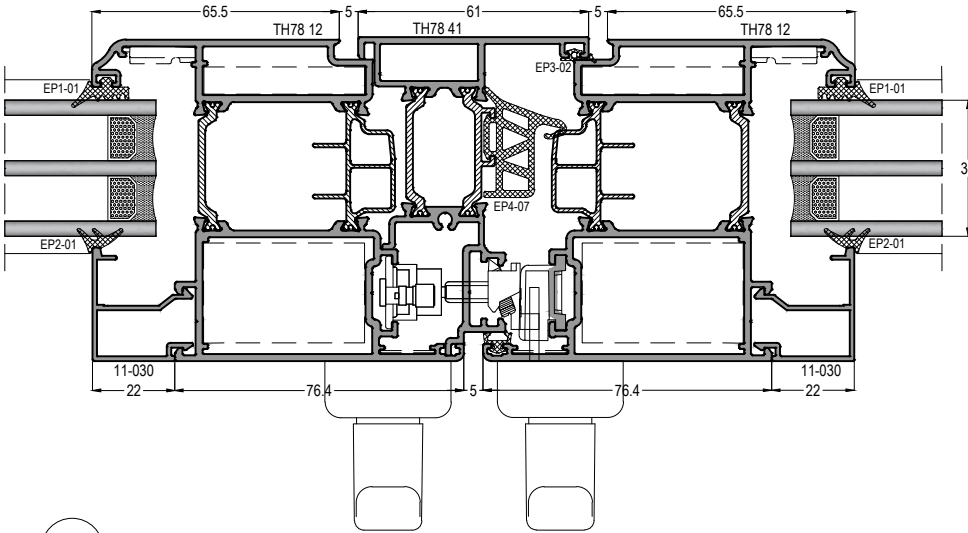
16



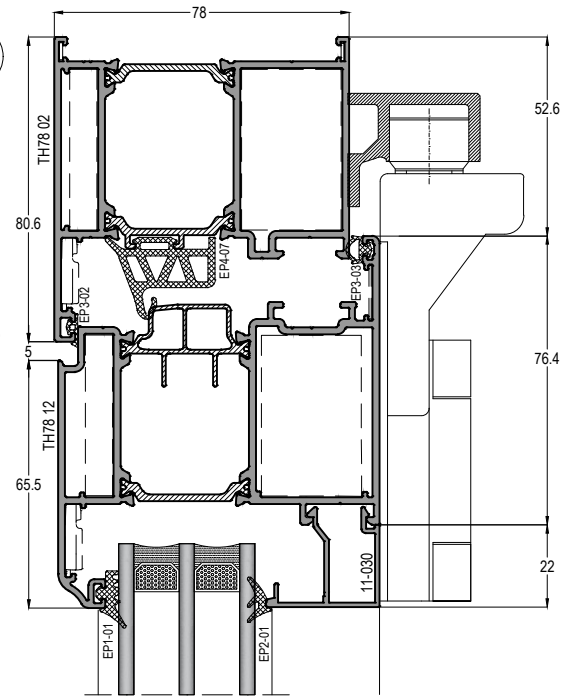
KATLANIR KAPI DETAYLARI

FOLDING DOOR DETAILS

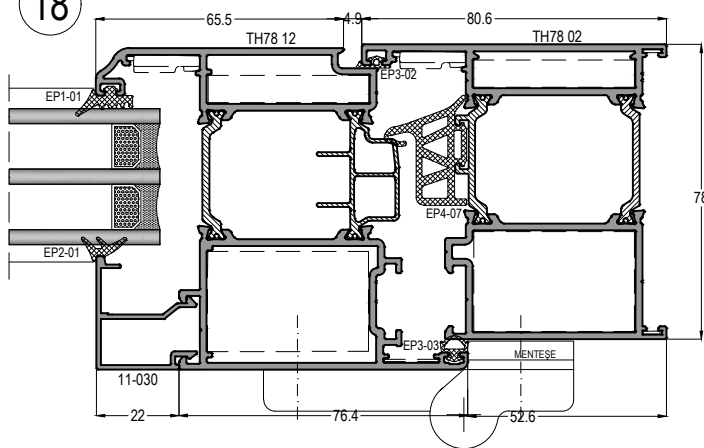
17



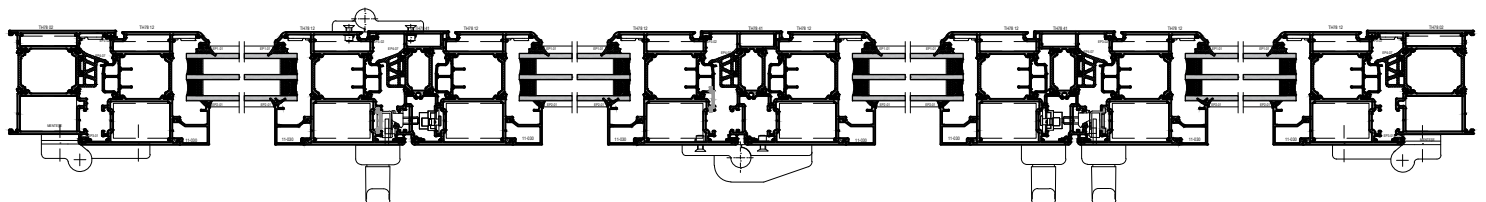
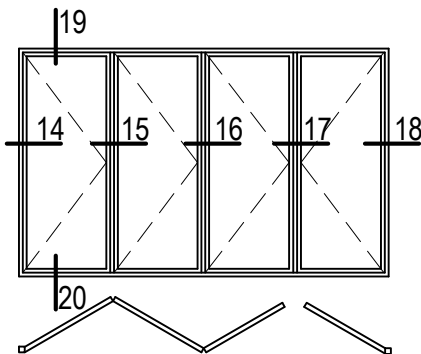
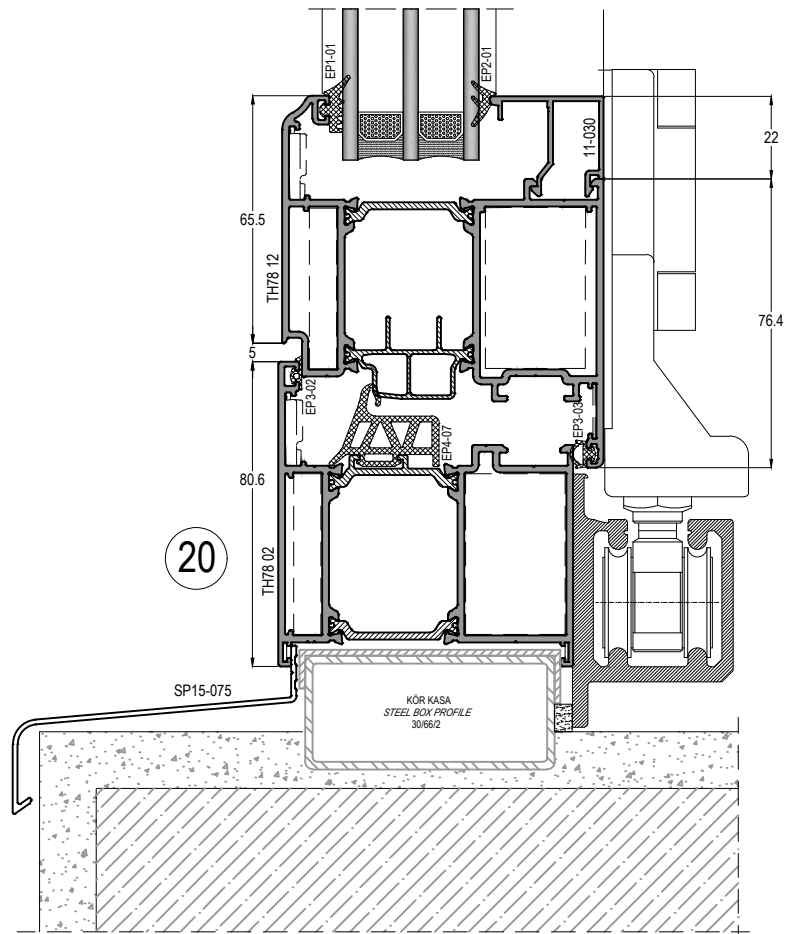
19



18

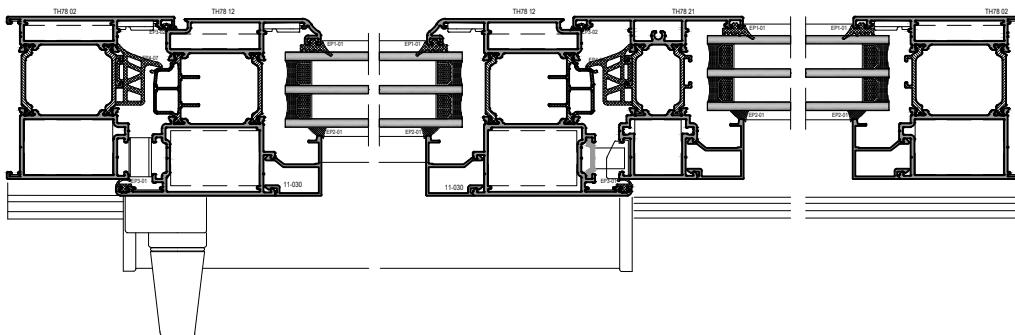
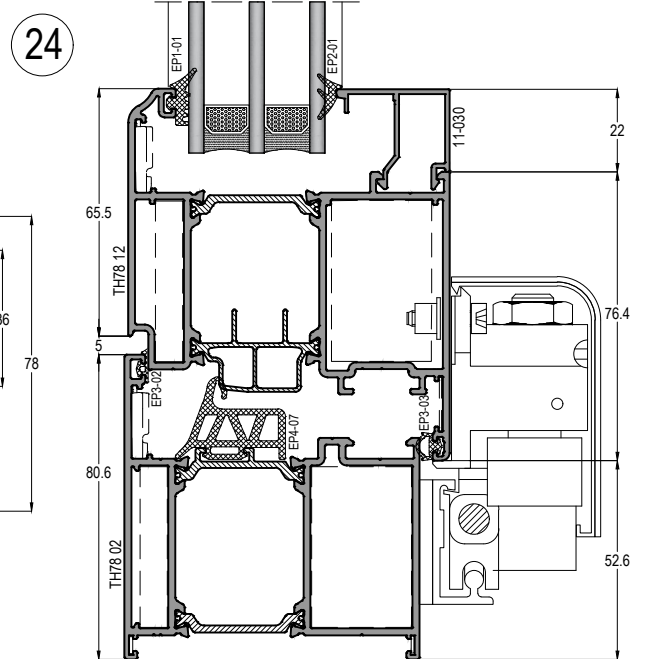
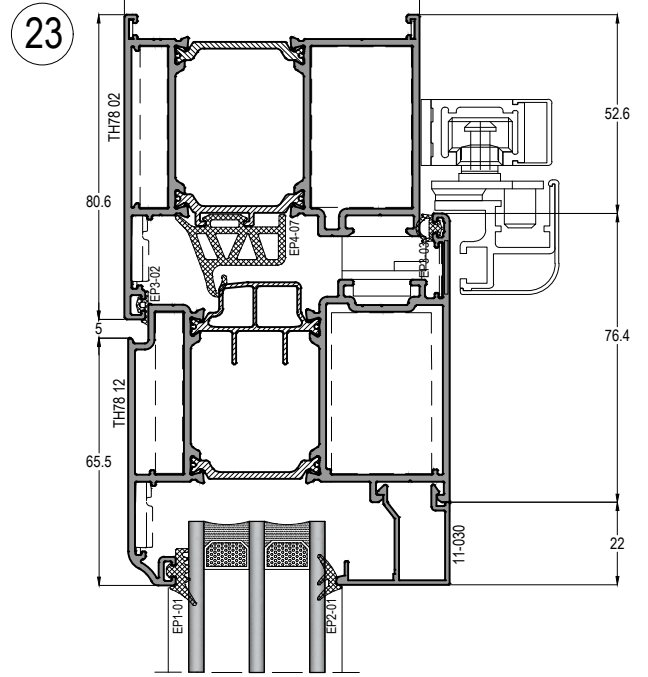
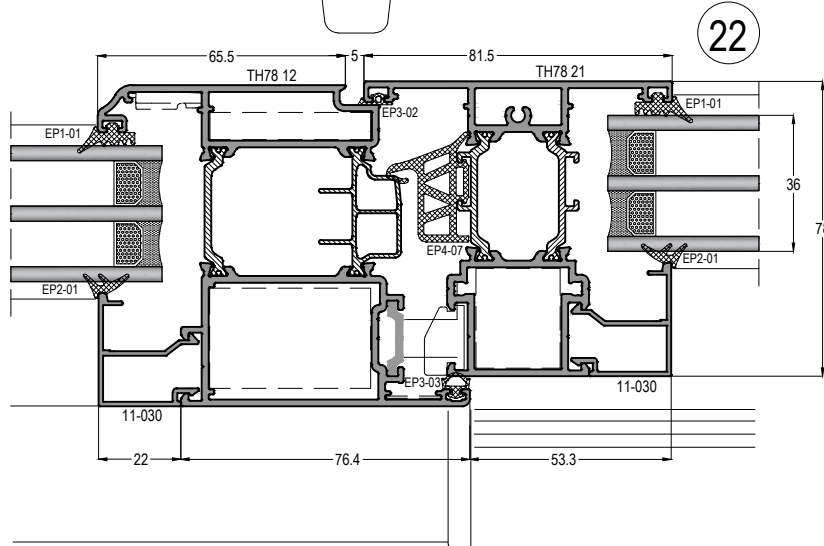
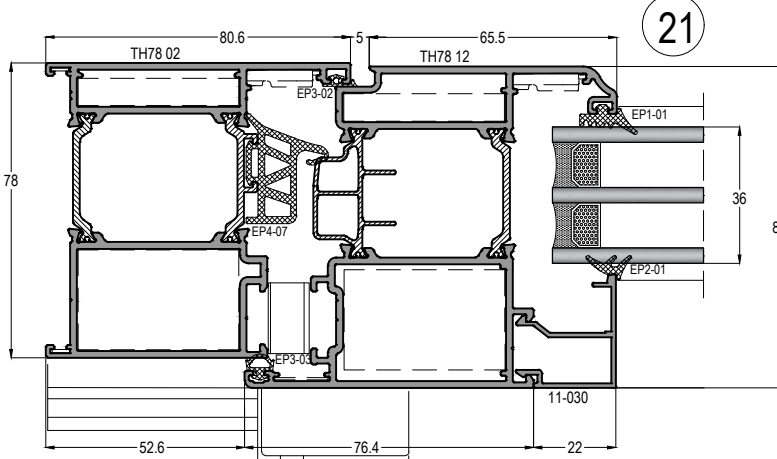
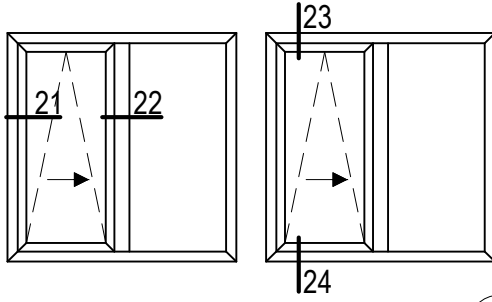


20



PARALEL SÜRME DETAYLARI

PARALLE SLIDING DETAILS



TH78

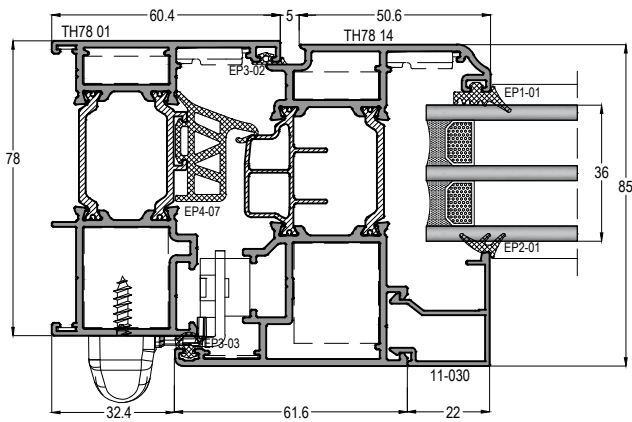
YALITIMLI KAPI-PENCERE SİSTEMİ
THERMAL WINDOW&DOOR SYSTEM

ASISTAL

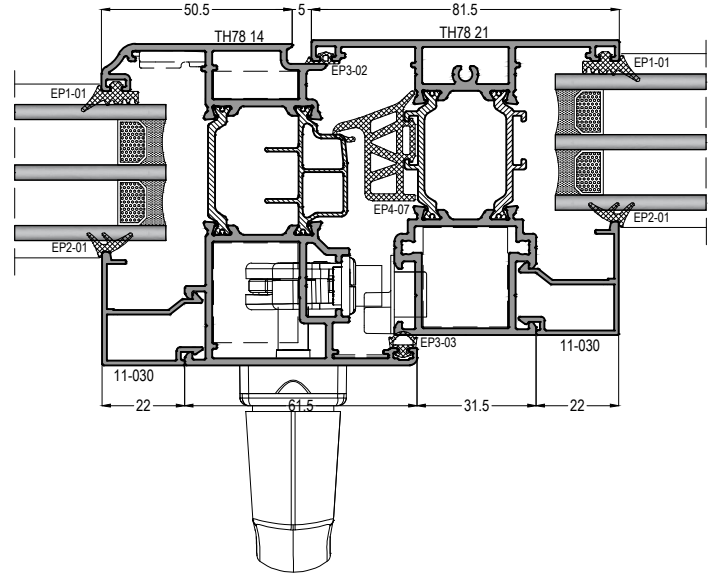
ÇOK NOKTADAN KİLİTLEME SİSTEM DETAYLARI
MULTI POINT LOCKING SYSTEM DETAILS

PENCERE AÇILIM DETAYLARI WINDOW OPENING DETAILS

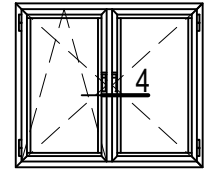
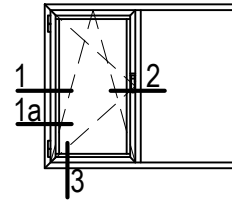
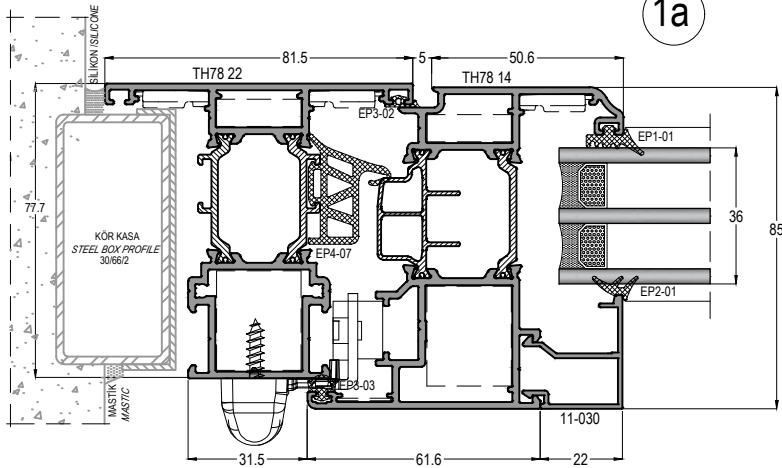
1



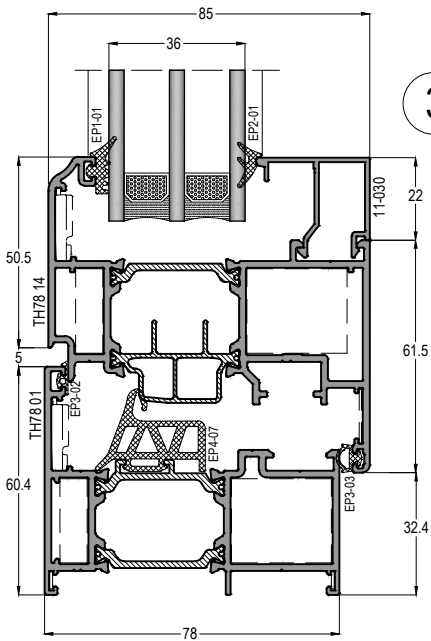
2



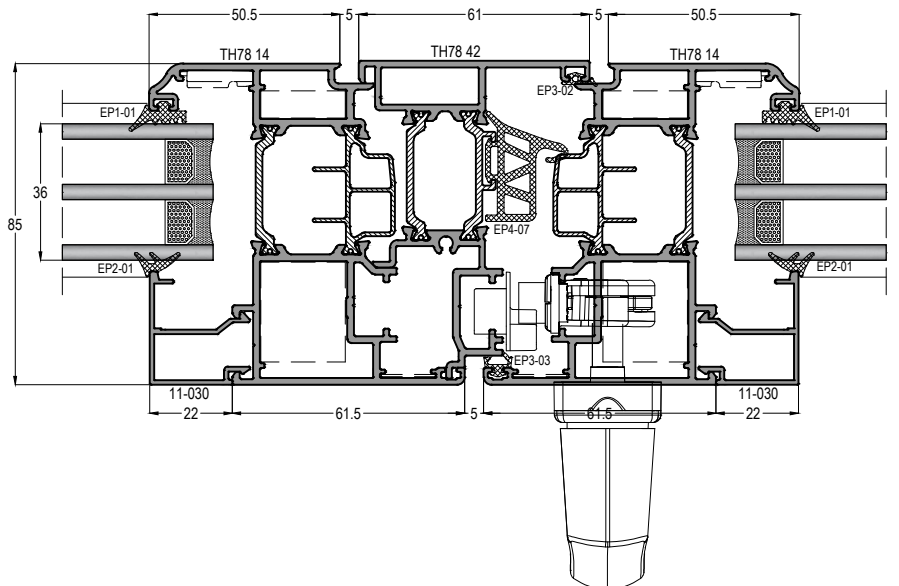
1a



3

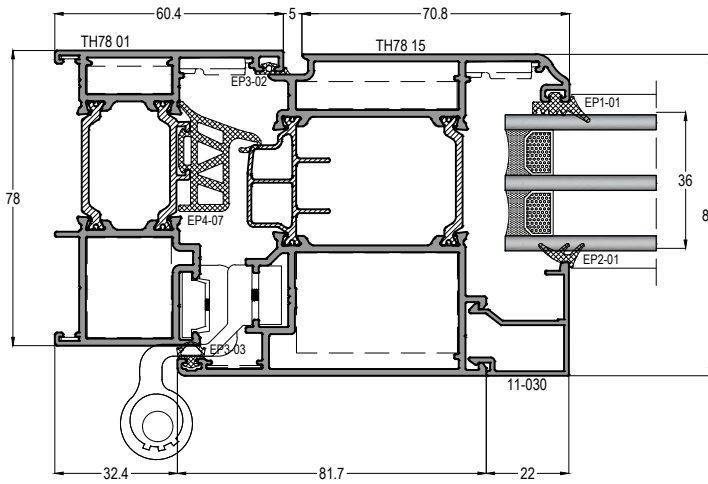


4

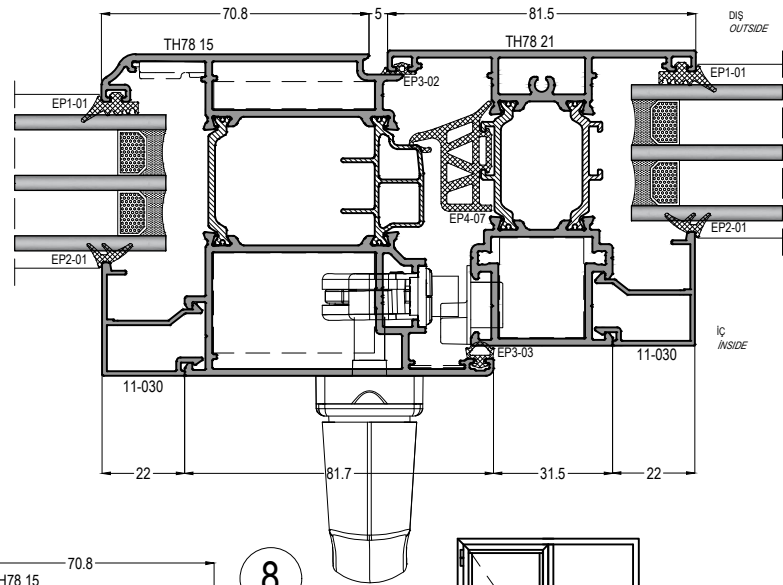


İÇE AÇILIR KAPI DETAYLARI INNER OPENING DOOR DETAILS

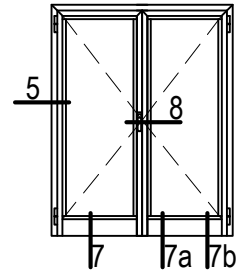
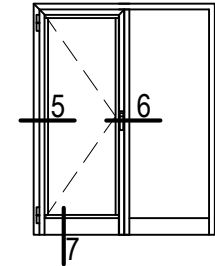
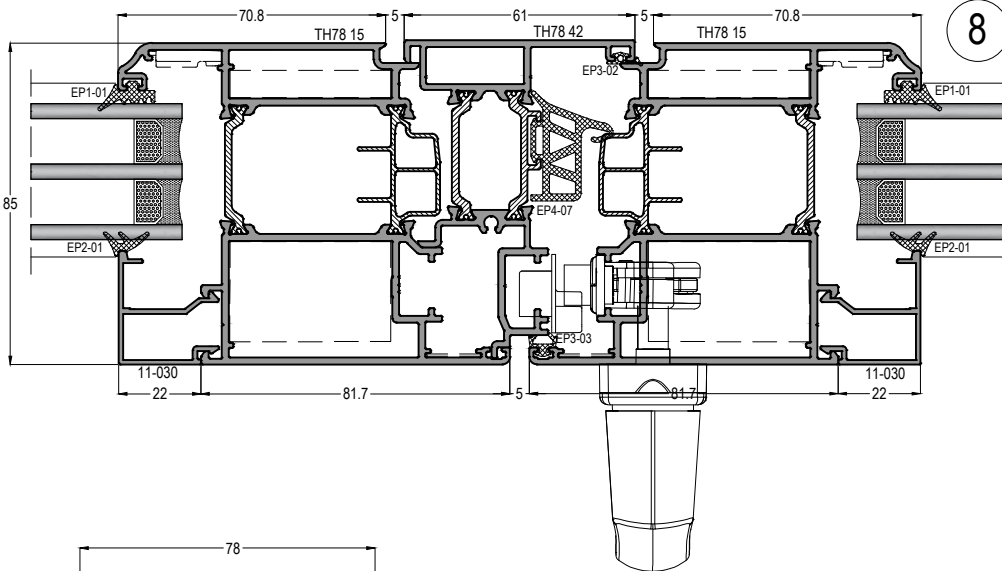
5



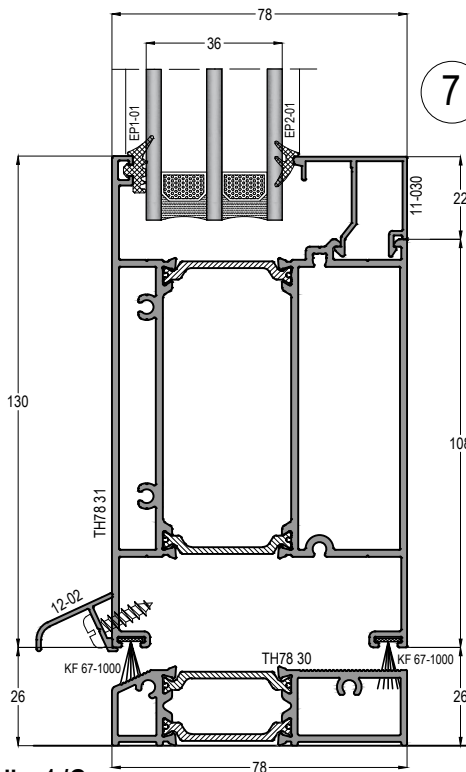
6



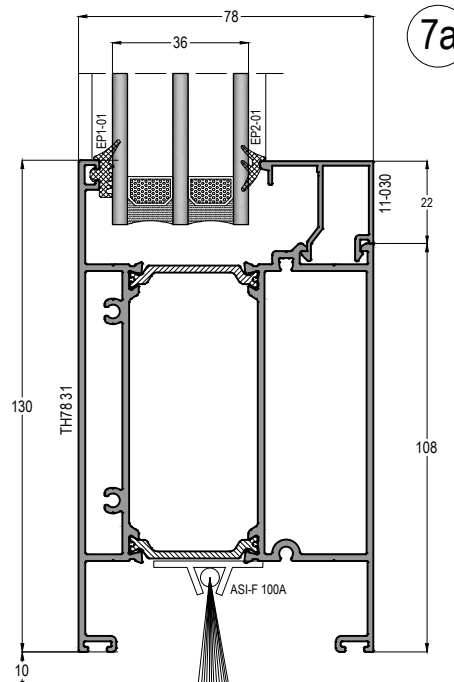
8



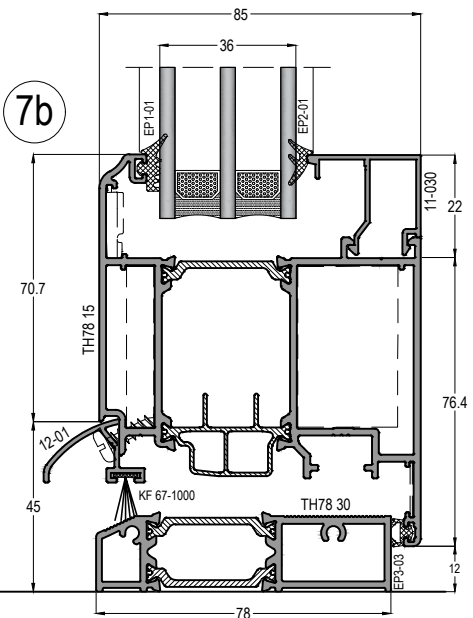
7



7a

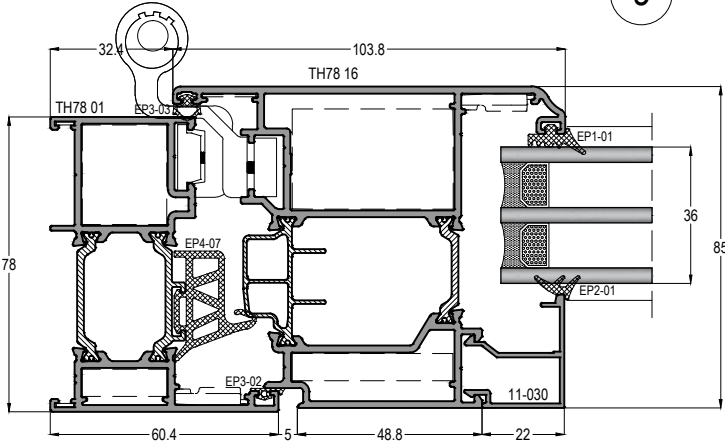


7b

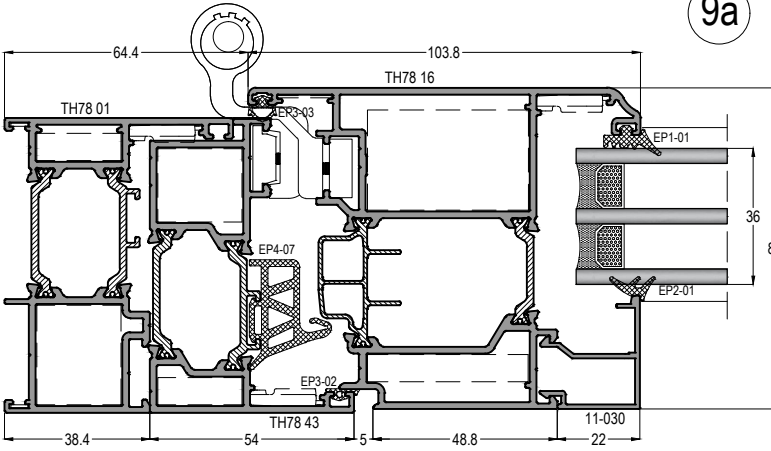


DIŞA AÇILIR KAPI DETAYLARI
OUTER OPENING DOOR DETAILS

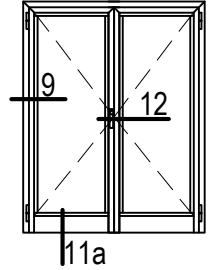
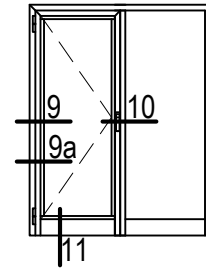
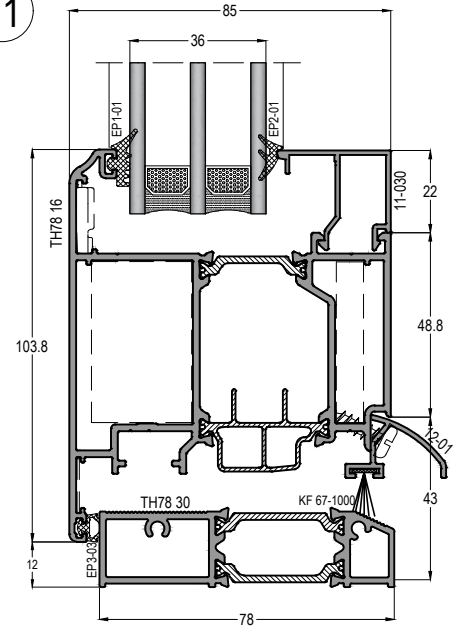
9



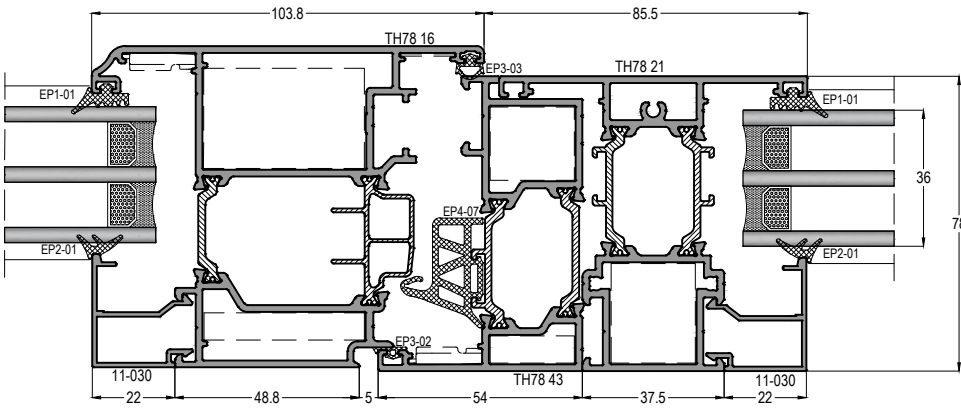
9a



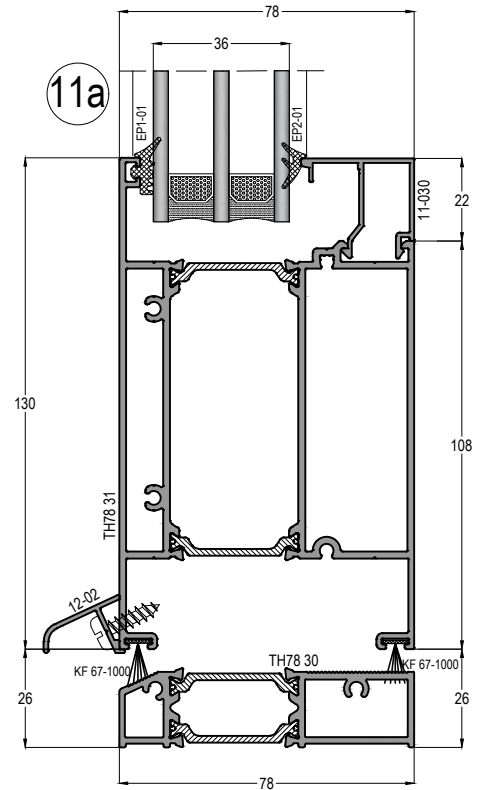
11



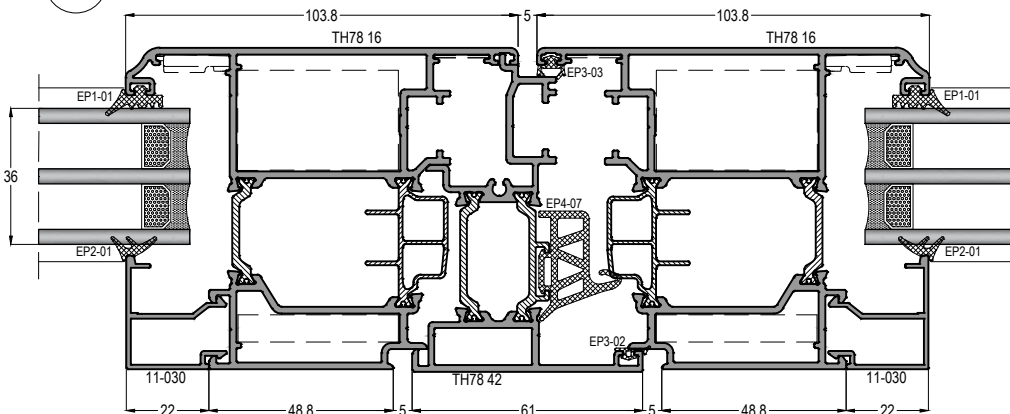
10



11a



12



THS78

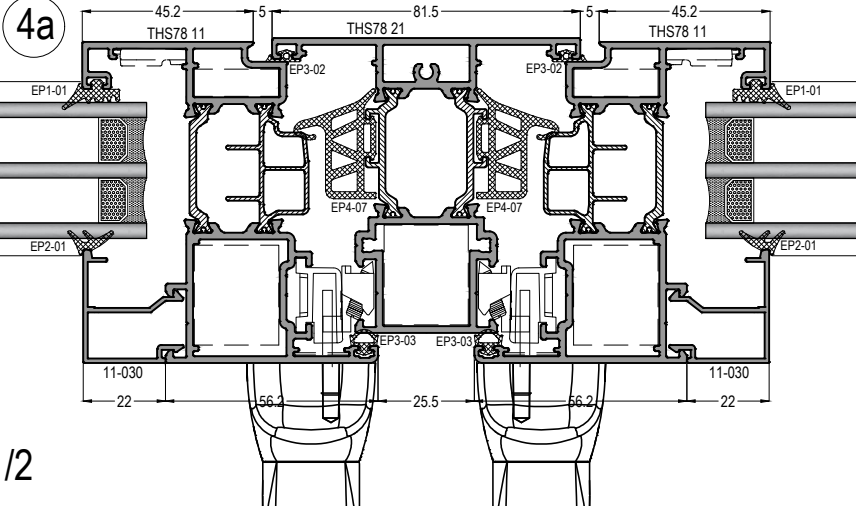
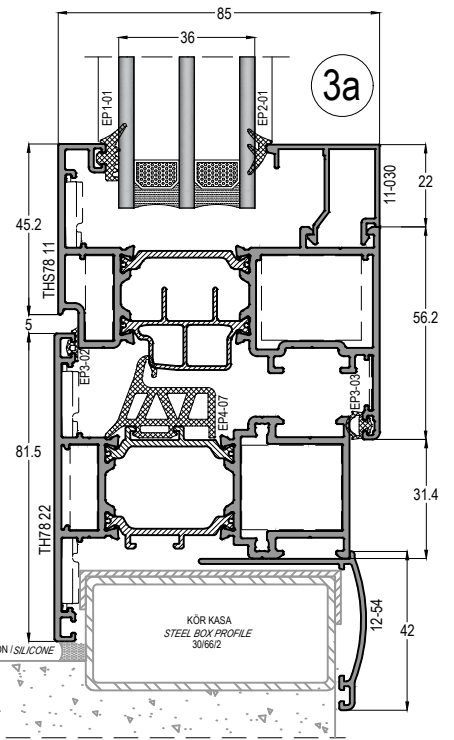
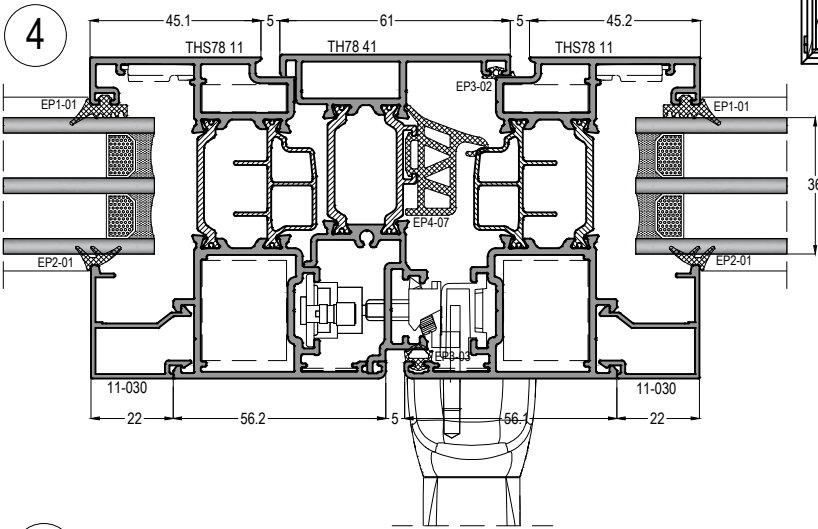
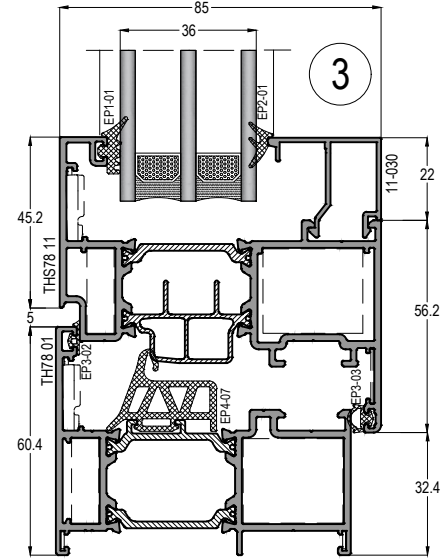
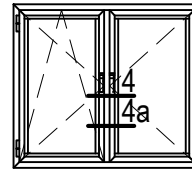
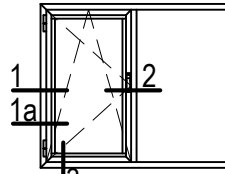
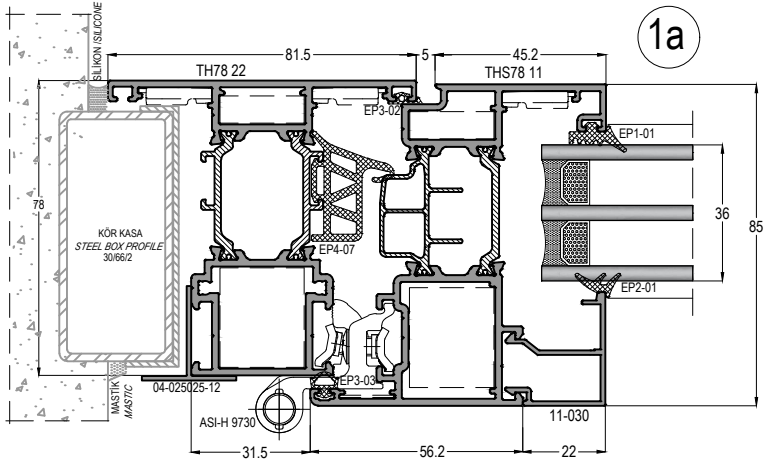
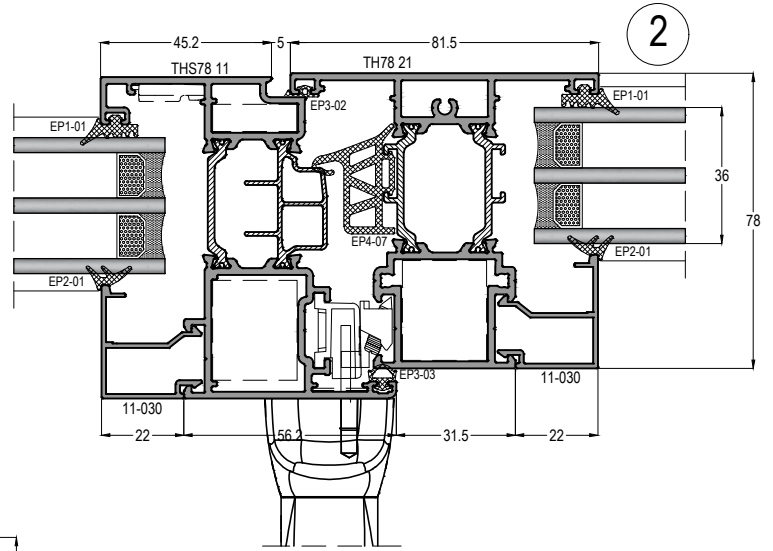
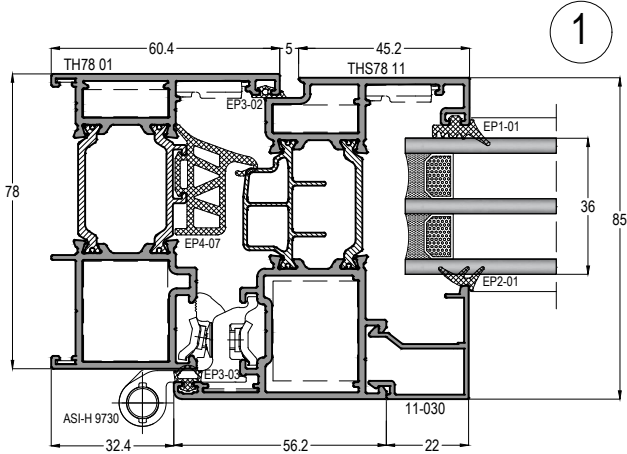
YALITIMLI KAPI-PENCERE SİSTEMİ
THERMAL WINDOW&DOOR SYSTEM

ASISTAL

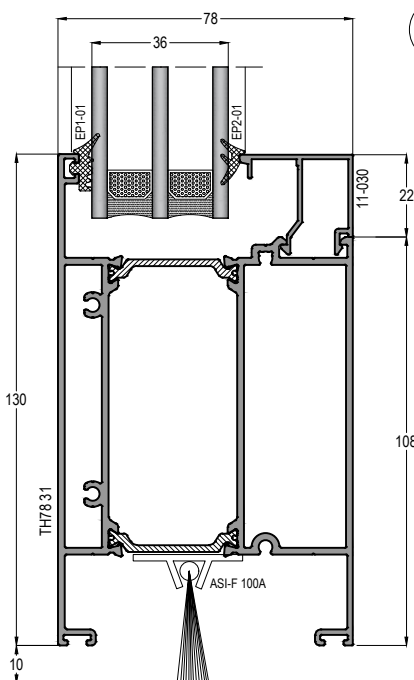
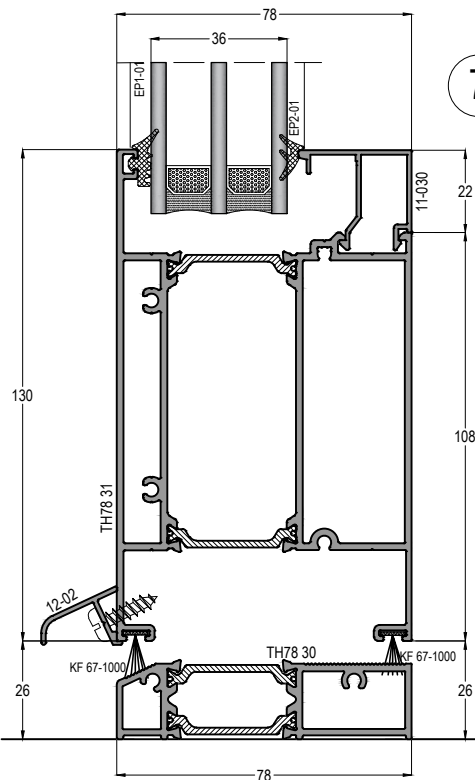
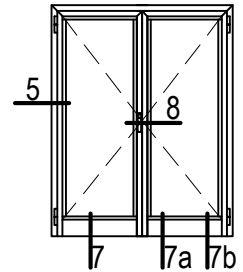
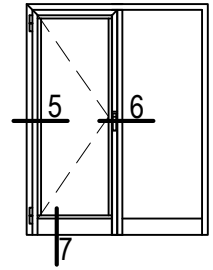
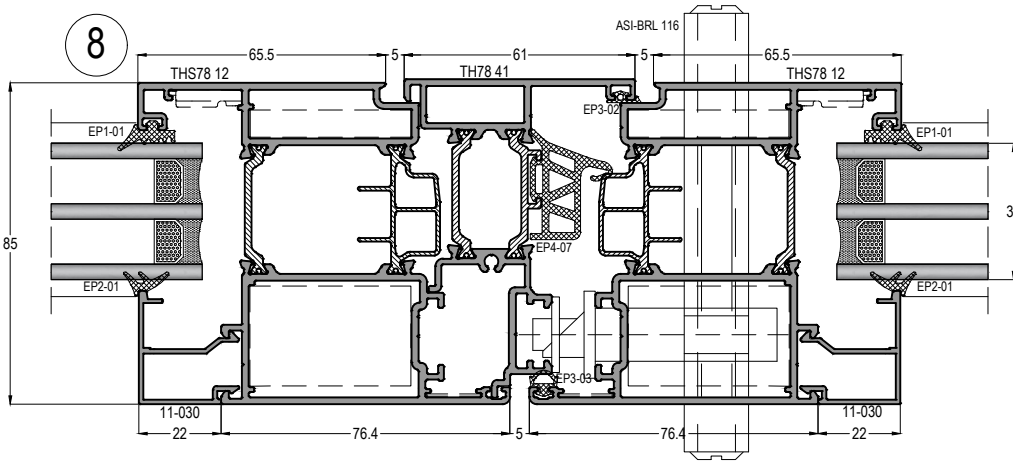
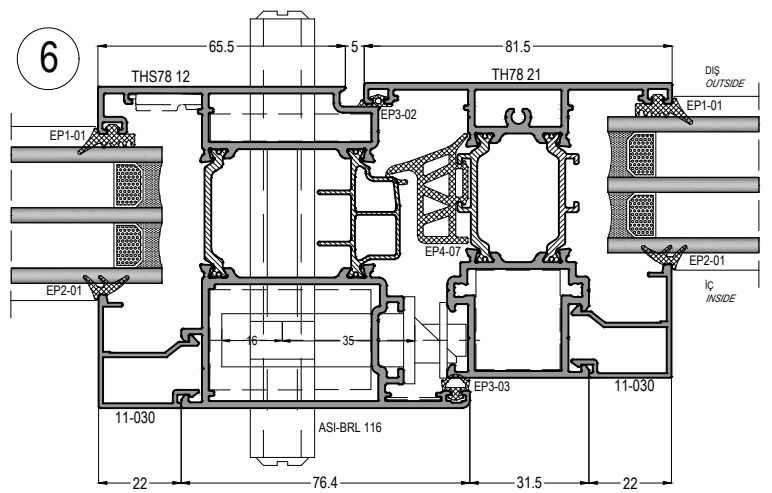
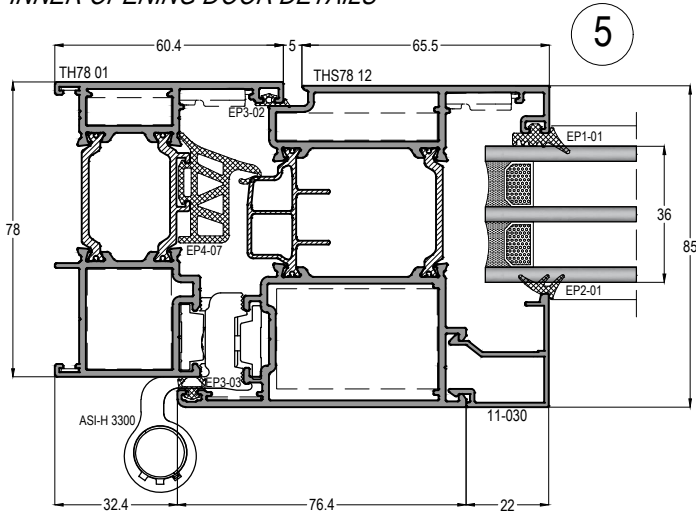
THS - SİSTEM DETAYLARI
THS - SYSTEM DETAILS

PENCERE AÇILIM DETAYLARI

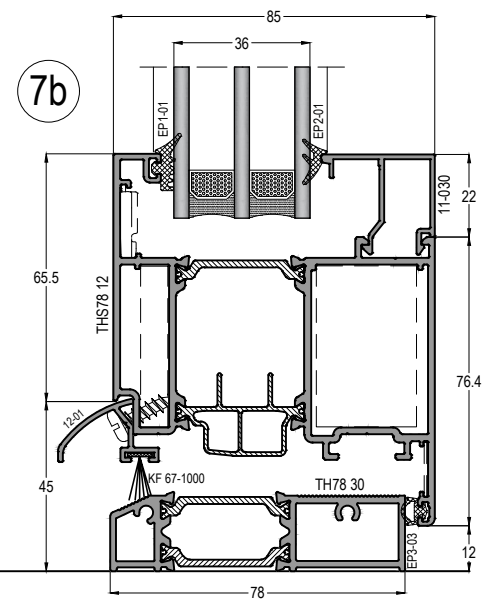
WINDOW OPENING DETAILS



İÇE AÇILIR KAPI DETAYLARI INNER OPENING DOOR DETAILS



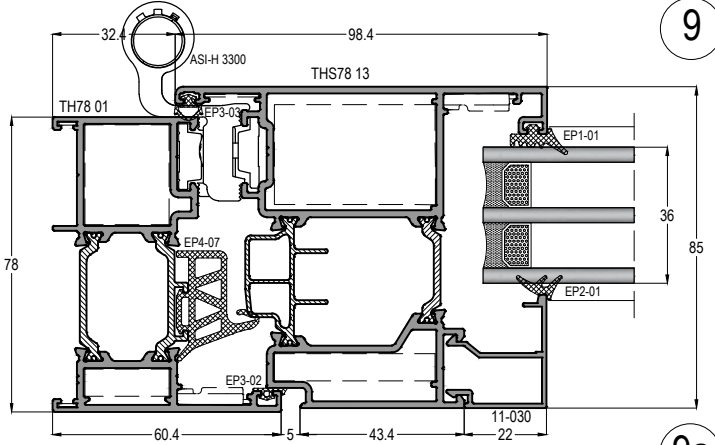
7a



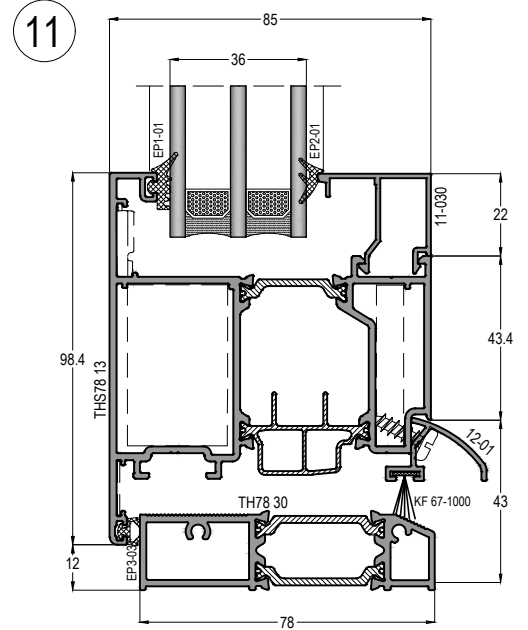
7b

DIŞA AÇILIR KAPI DETAYLARI

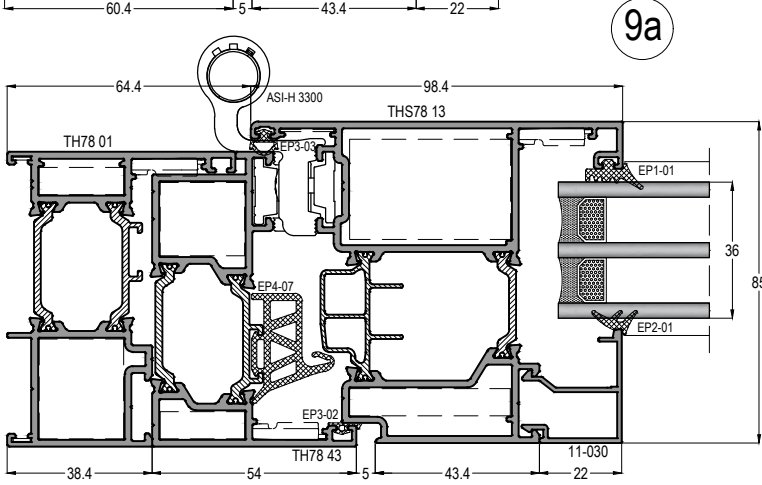
OUTER OPENING DOOR DETAILS



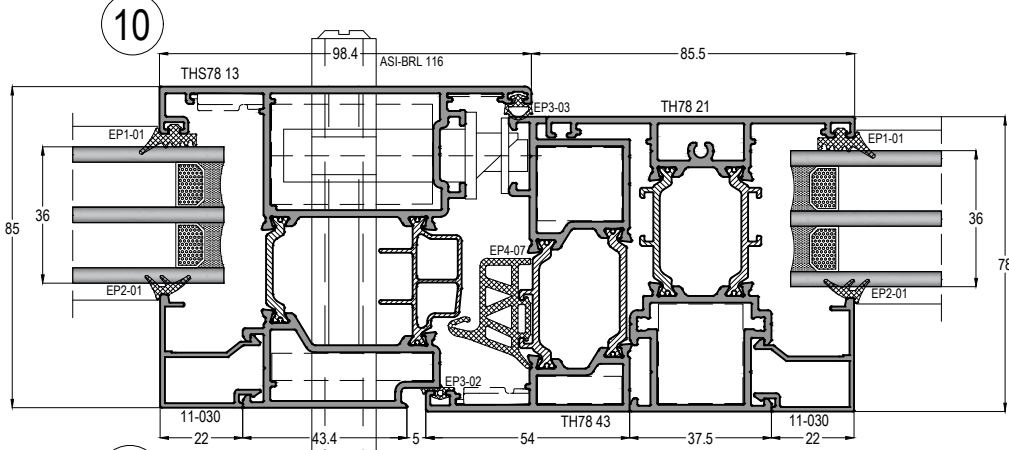
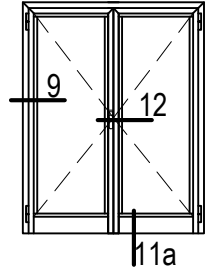
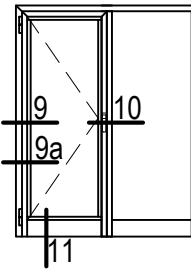
9



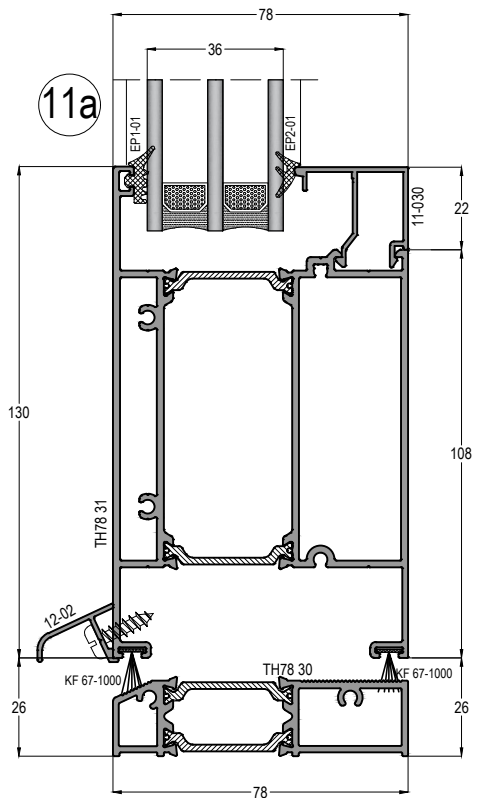
11



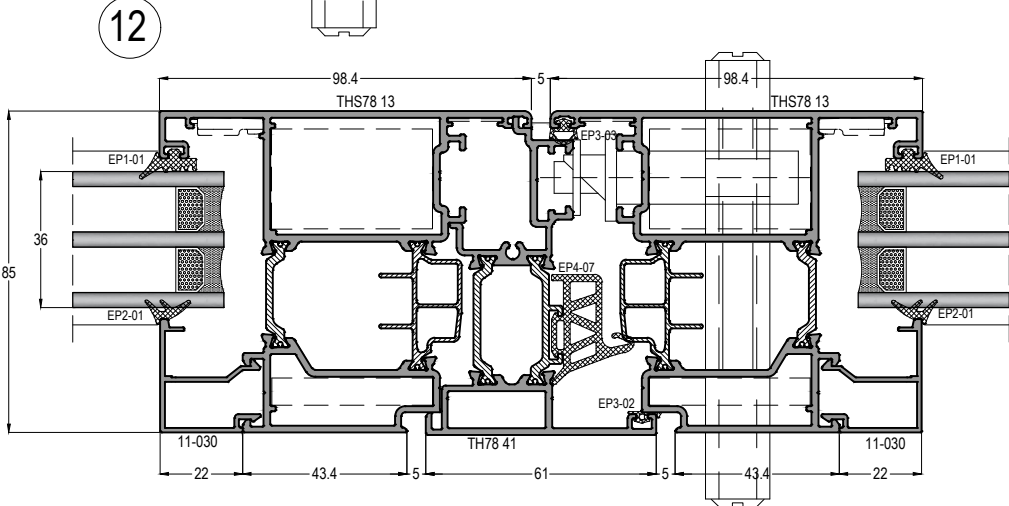
9a



10



11a

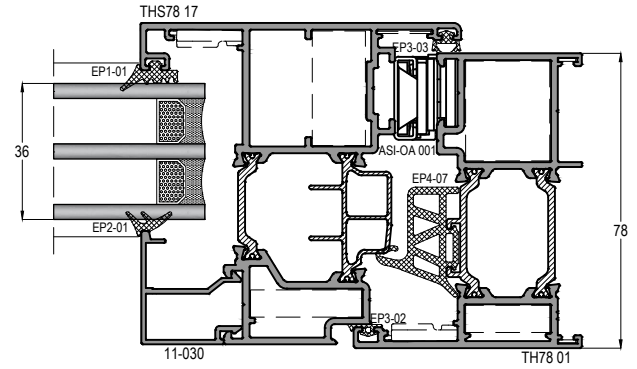
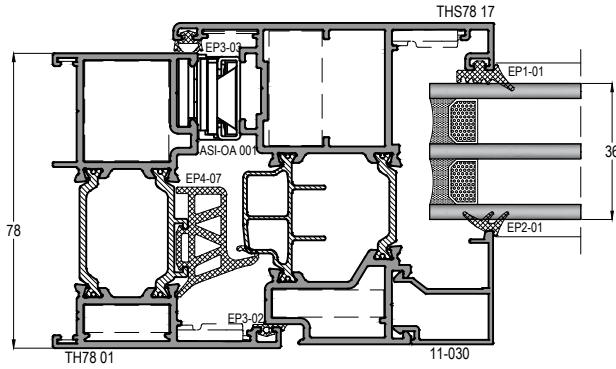


12

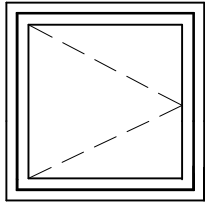
DIŞA AÇILIR PENCERE DETAYI

OUTER OPENING WINDOW DETAILS

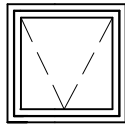
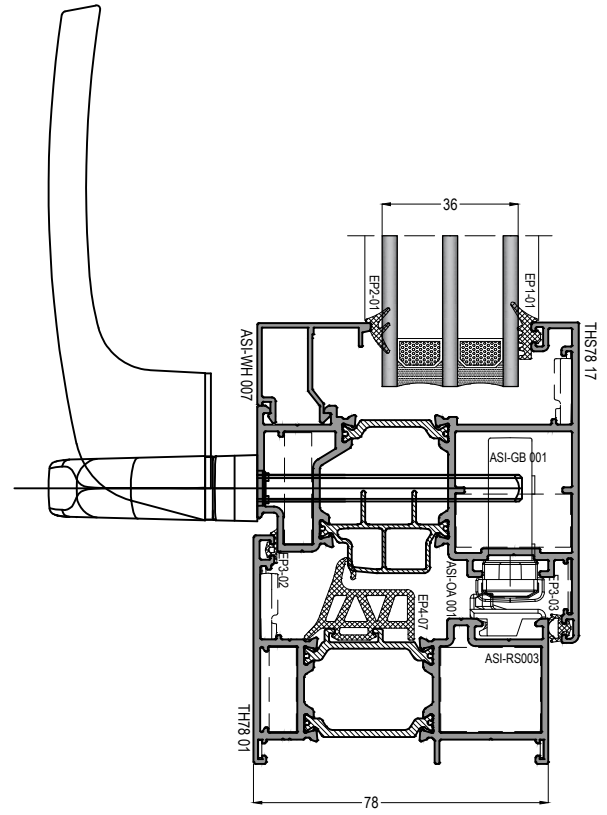
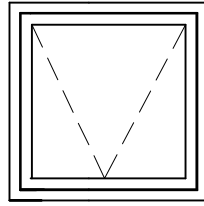
THS78 17



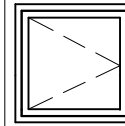
DIŞA AÇILIM PENCERE
OUT SIDE HUNG



DIŞA VASİSTAS
OUT TOP HUNG



DIŞA AÇILIM VASİSTAS MAKAS SEÇİMİ
Top-Hung Arm Selections



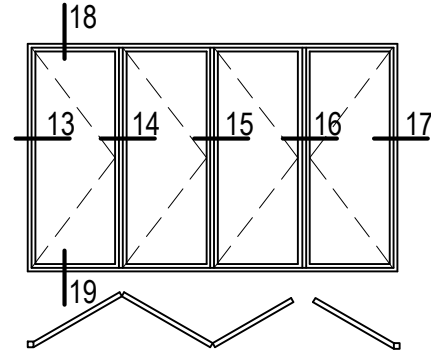
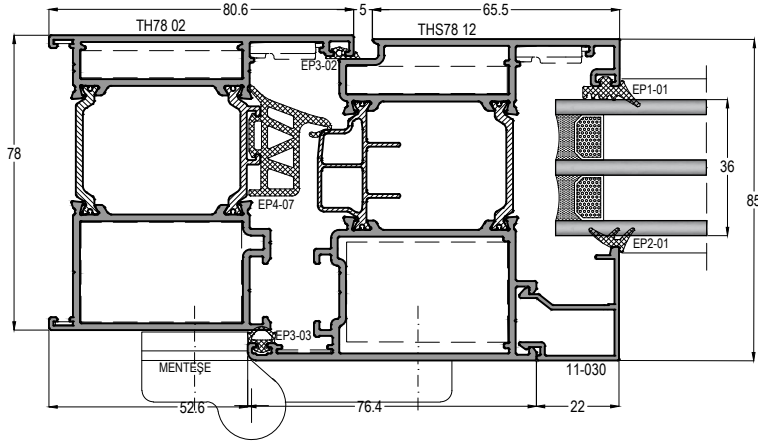
DIŞA AÇILIM PENCERE MAKAS SEÇİMİ
Side-Hung Arm Selections

AÇIKLAMA Description	KOD Item Code	Max. Açılır Açısı Max. Opening Angle	Max.Yükseklik Max.Height (mm)	Max.Genişlik Max.Width (mm)	Max.Ağırlık Max.Weight (Kg)	Makas Yüksekliği Arm Lenght (mm)	Max. Açılır Açısı Max. Opening Angle	Max.Yükseklik Max.Height (mm)	Max.Genişlik Max.Width (mm)	Max.Ağırlık Max.Weight (Kg)
DIŞA AÇILIM MAKAS-10" Eurogrove Arm	ASI-OA 001	50°	650	1500	50	259	50° 84° *	1500	650	35
DIŞA AÇILIM MAKAS-16" Eurogrove Arm	ASI-OA 002	30° 50°	800	1500	100 55	412	30° - 50° 90° *	1600	700	60 42
DIŞA AÇILIM MAKAS-22" Eurogrove Arm	ASI-OA 003	20° 45°	1500	1700	100 80	567	-	-	-	-
DIŞA AÇILIM MAKAS-28" Eurogrove Arm	ASI-OA 004	15°	2000	1700	100	711	-	-	-	-

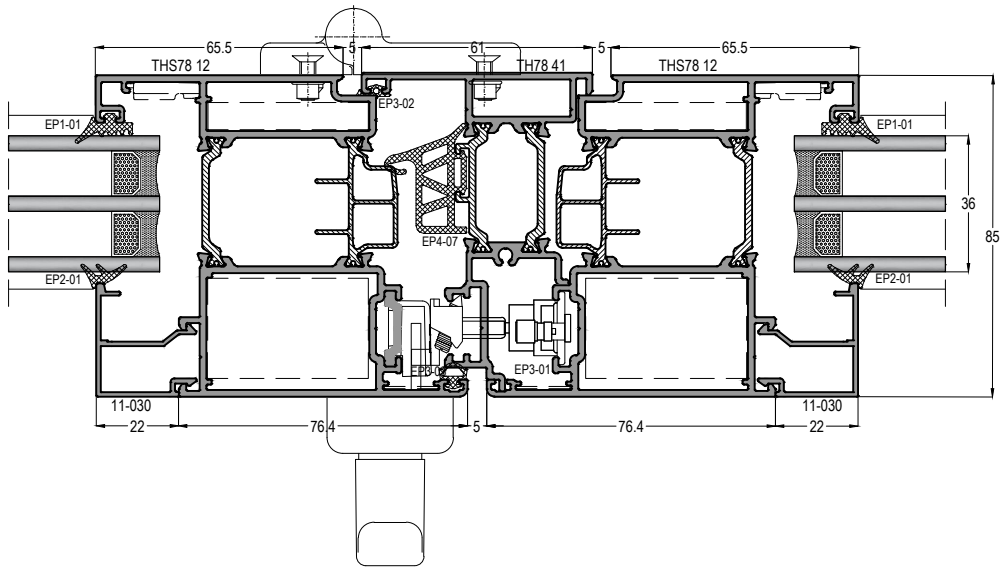
KATLANIR KAPI DETAYLARI

FOLDING DOOR DETAILS

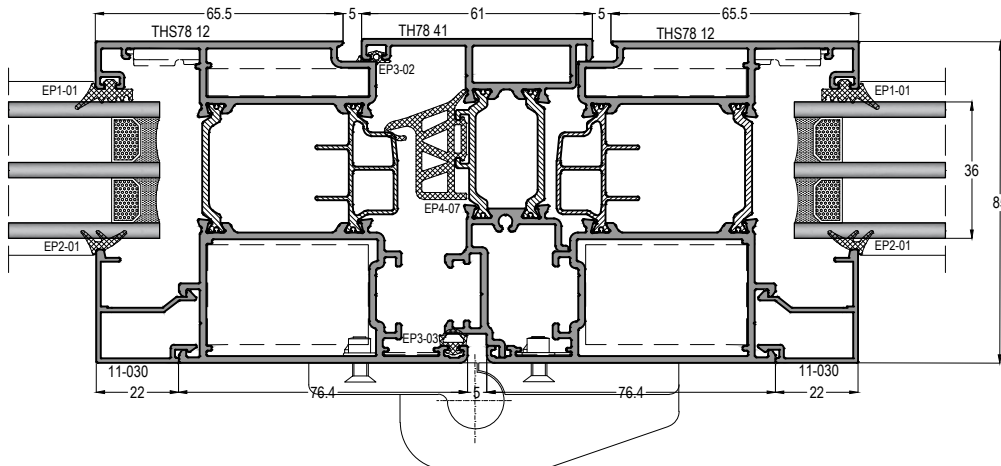
13



14



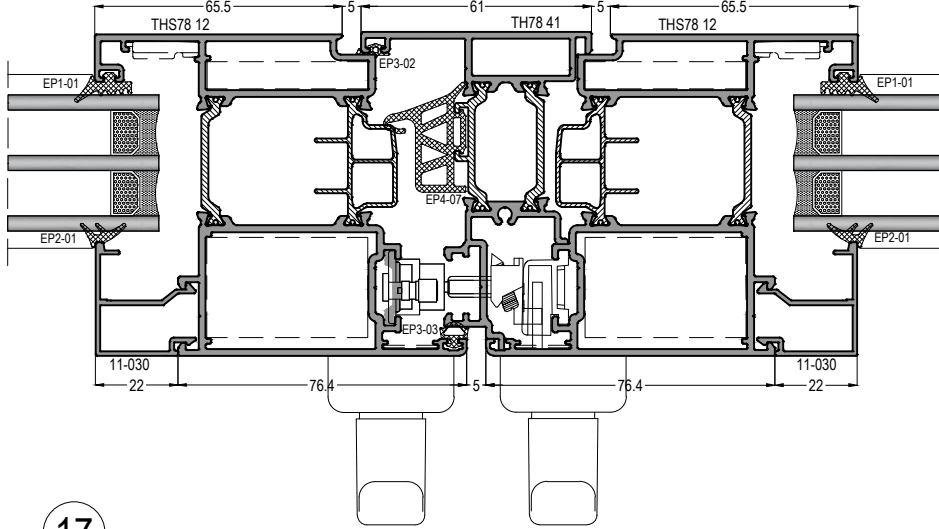
15



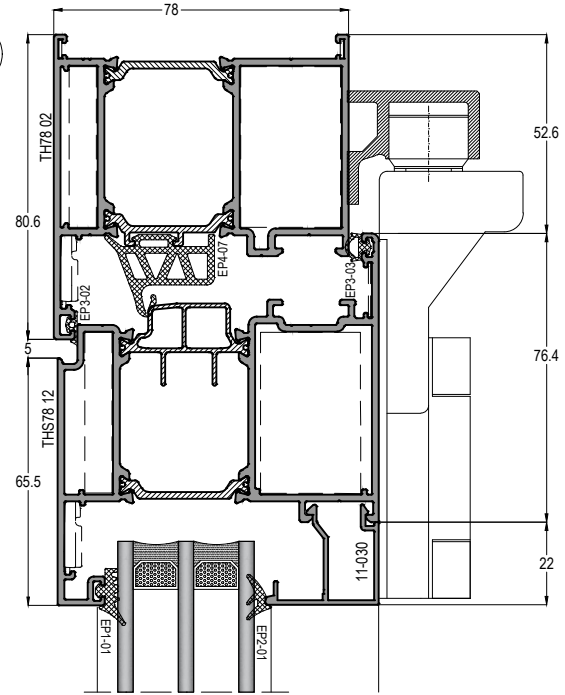
KATLANIR KAPI DETAYLARI

FOLDING DOOR DETAILS

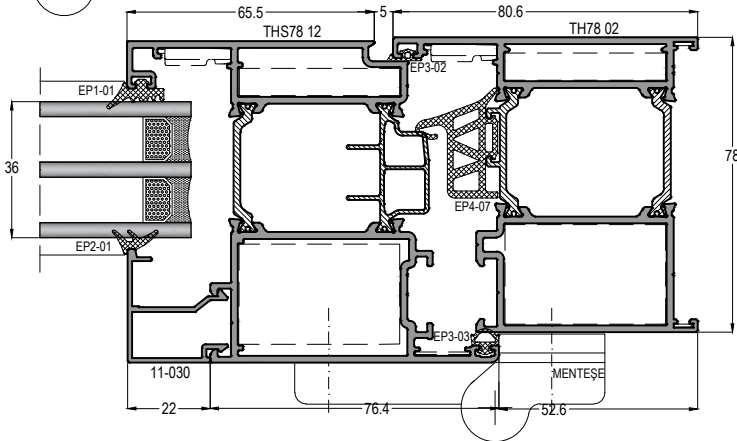
16



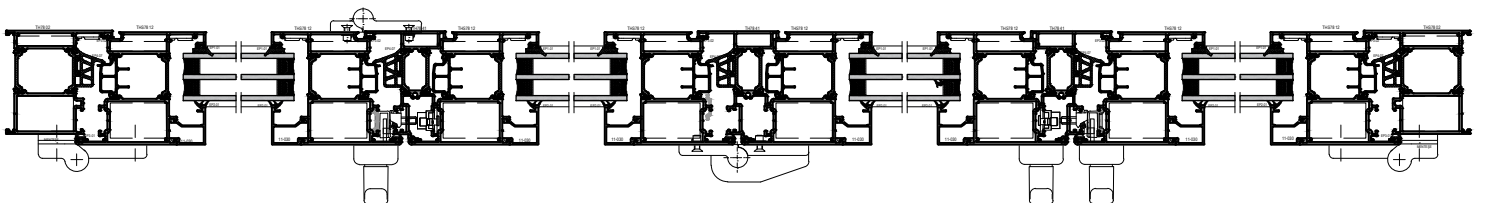
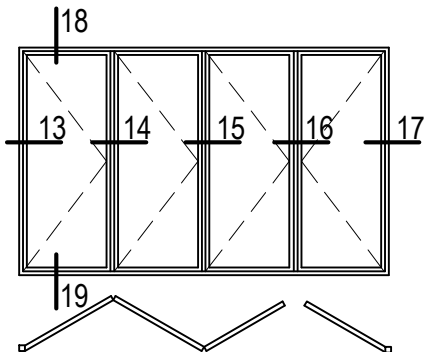
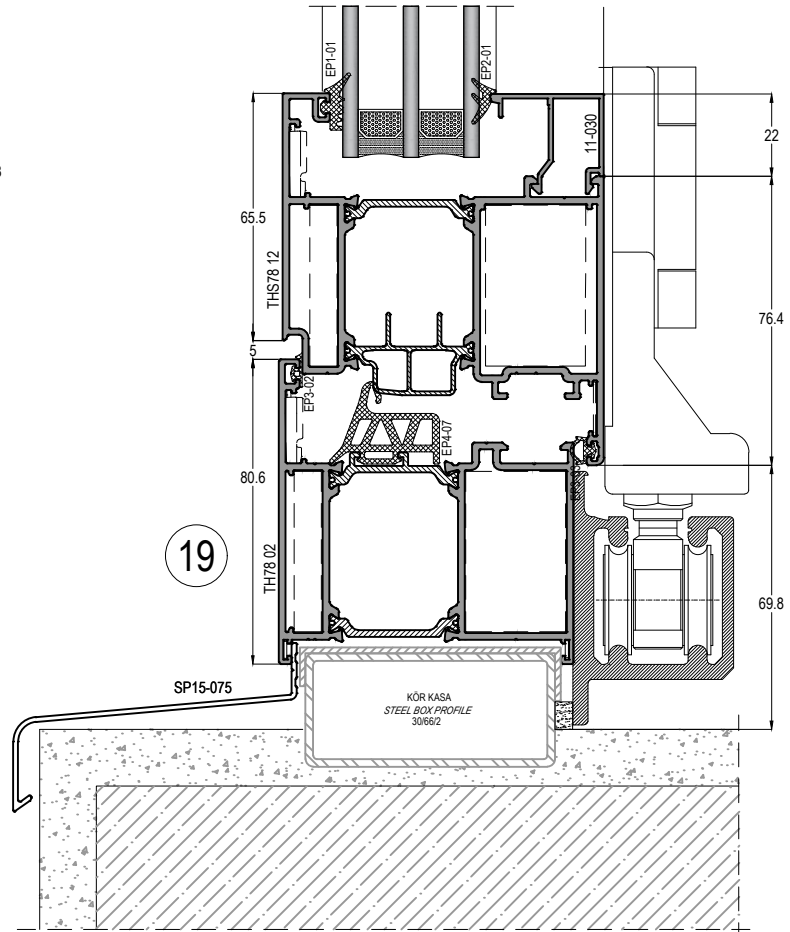
18



17



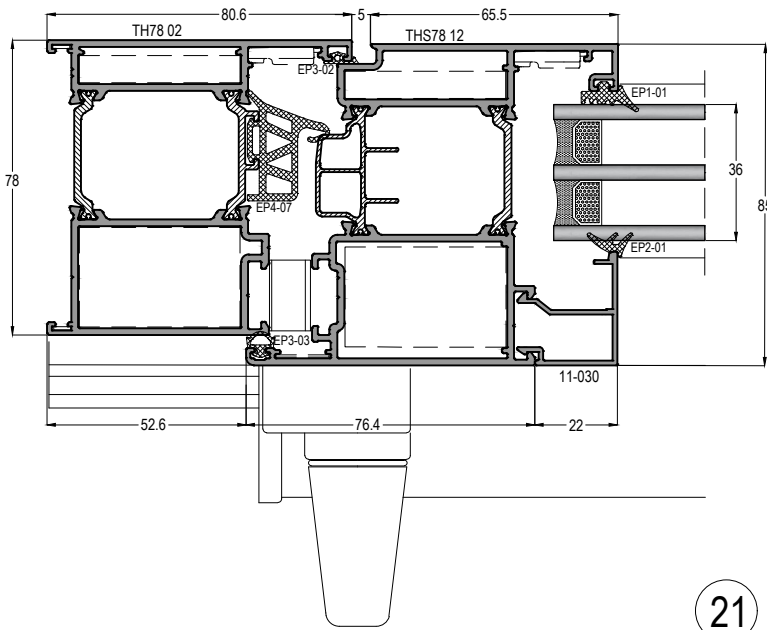
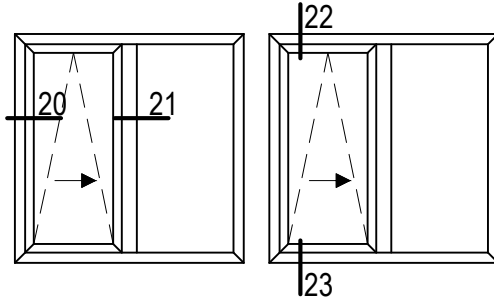
19



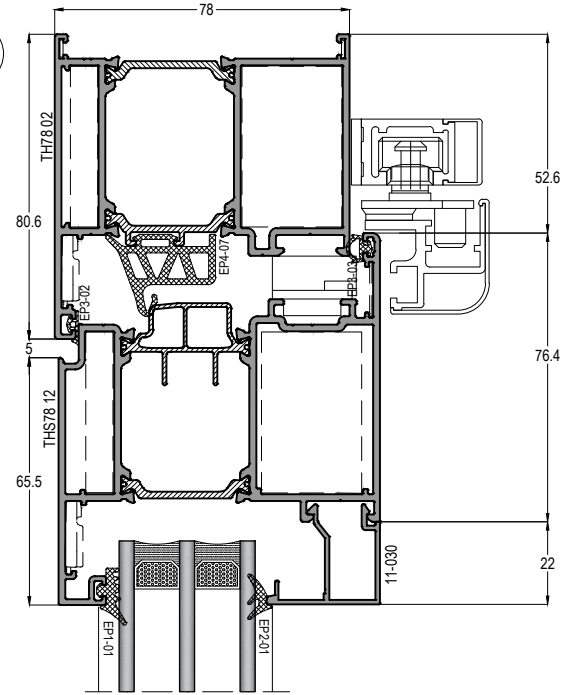
PARALEL SÜRME DETAYLARI

PARALEL SLIDING DETAILS

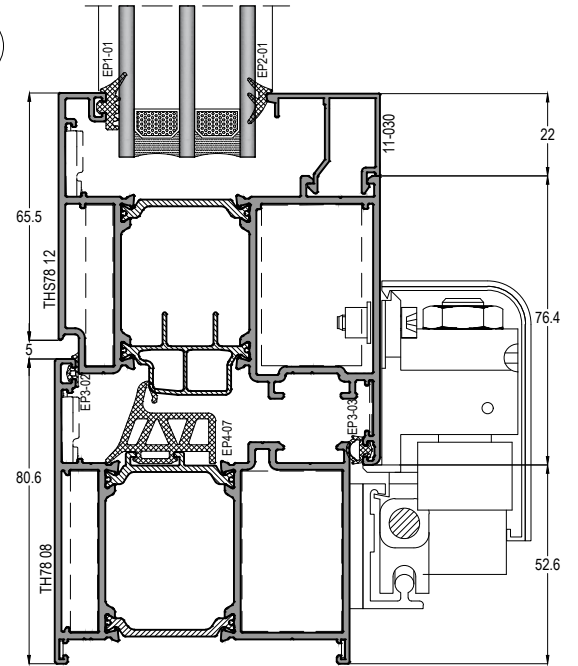
20



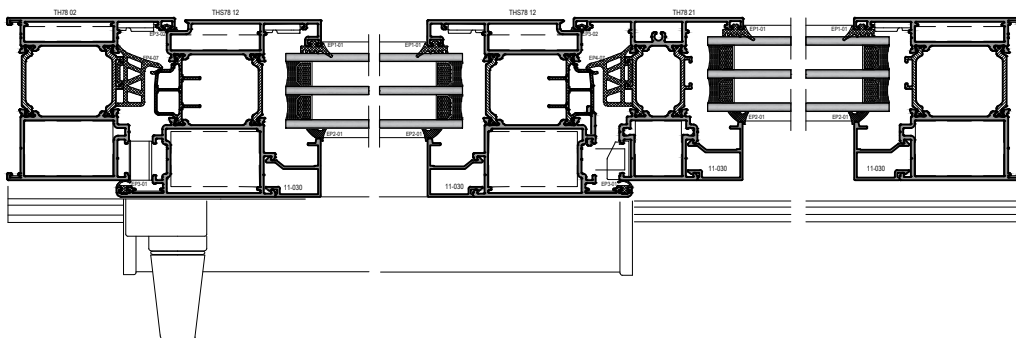
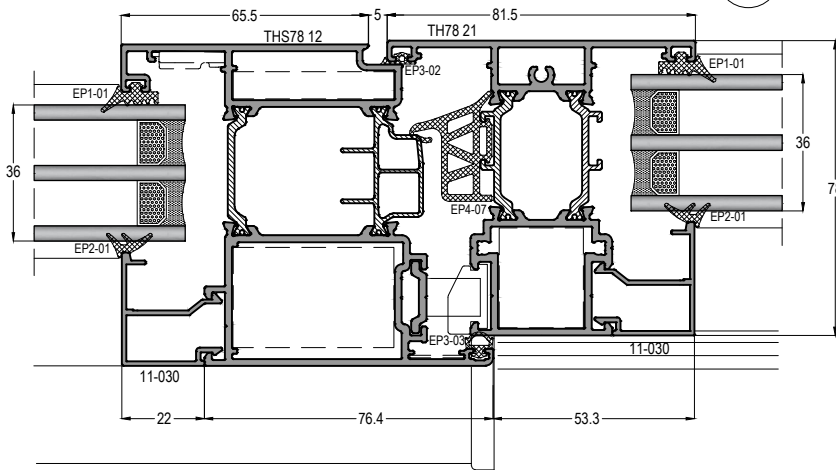
22



23



21



THS78

YALITIMLI KAPI-PENCERE SİSTEMİ
THERMAL WINDOW&DOOR SYSTEM

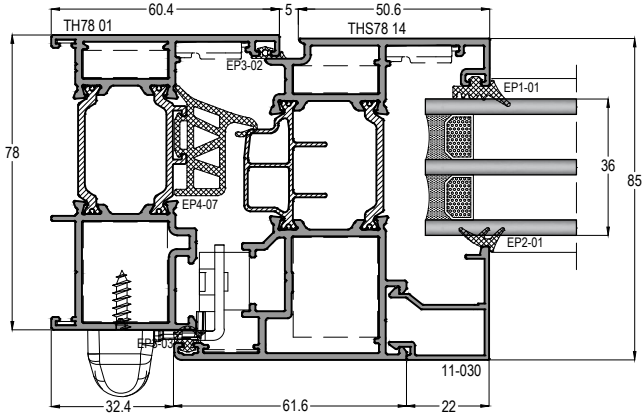
ASISTAL

ÇOK NOKTADAN KİLİTLEME THS SİSTEM DETAYLARI
MULTI POINT LOCKING THS SYSTEM DETAILS

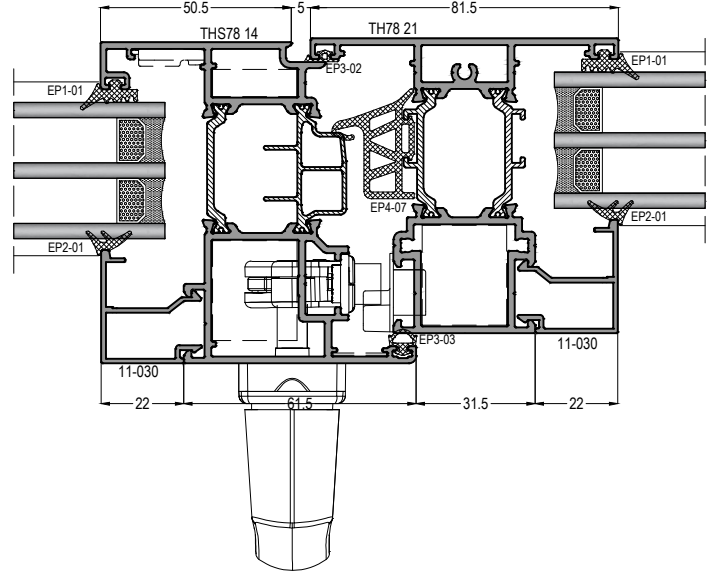
PENCERE AÇILIM DETAYLARI

WINDOW OPENING DETAILS

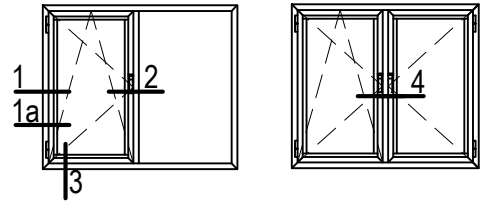
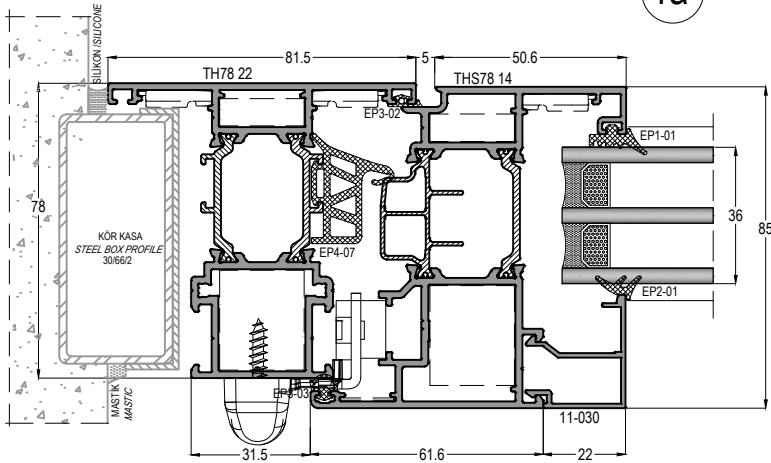
1



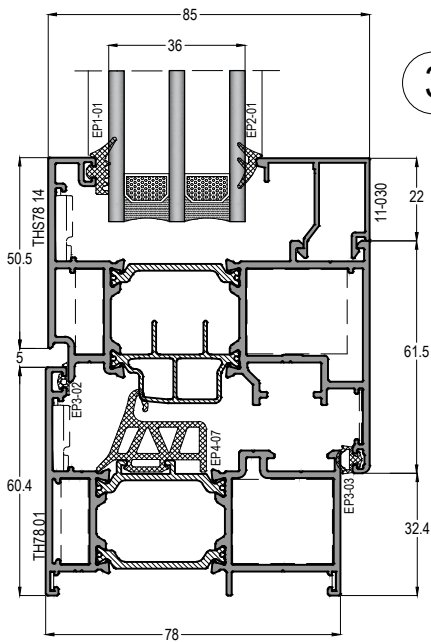
2



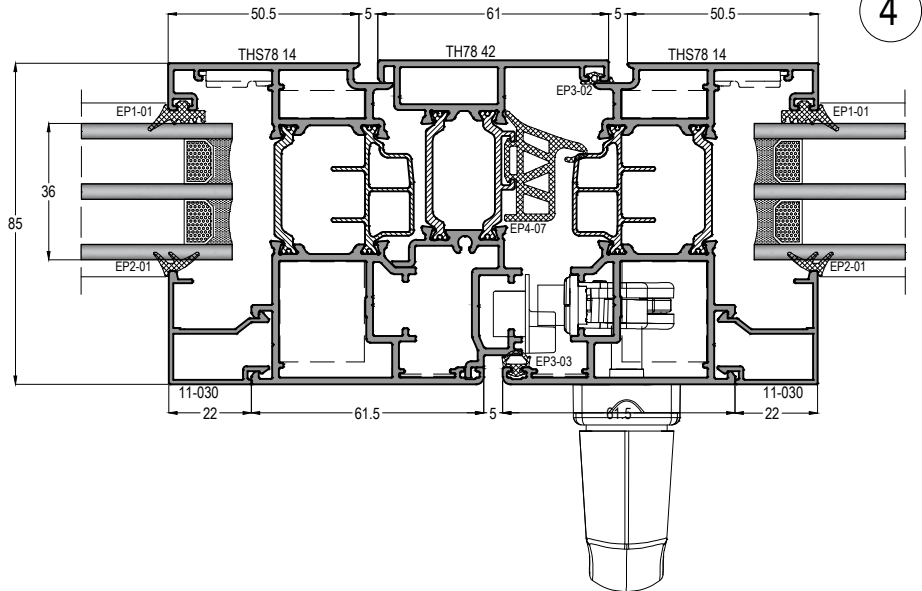
1a



3

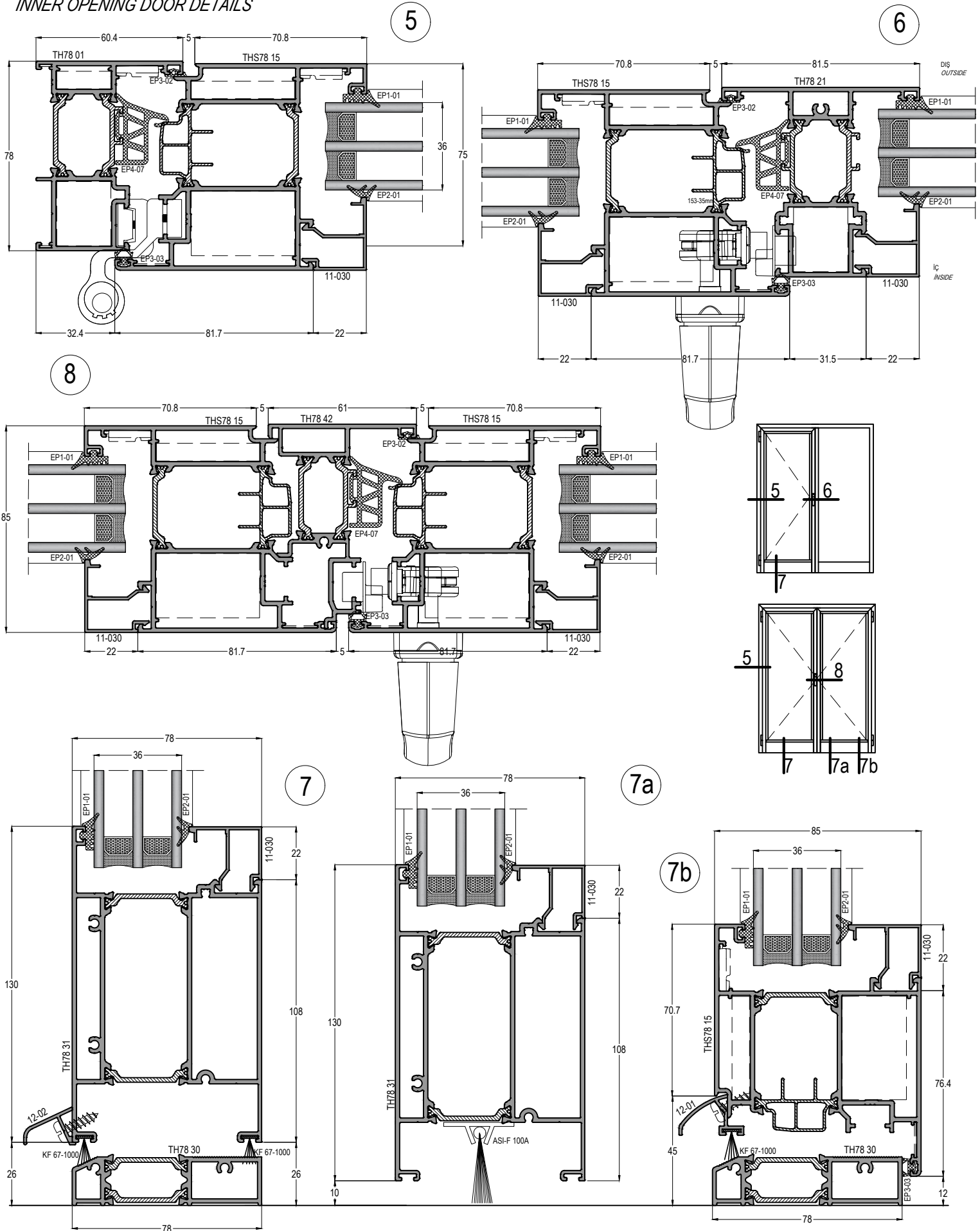


4



İÇE AÇILIR KAPI DETAYLARI

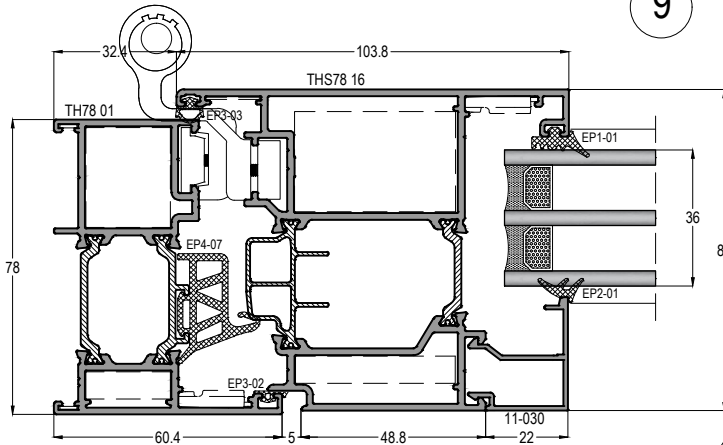
INNER OPENING DOOR DETAILS



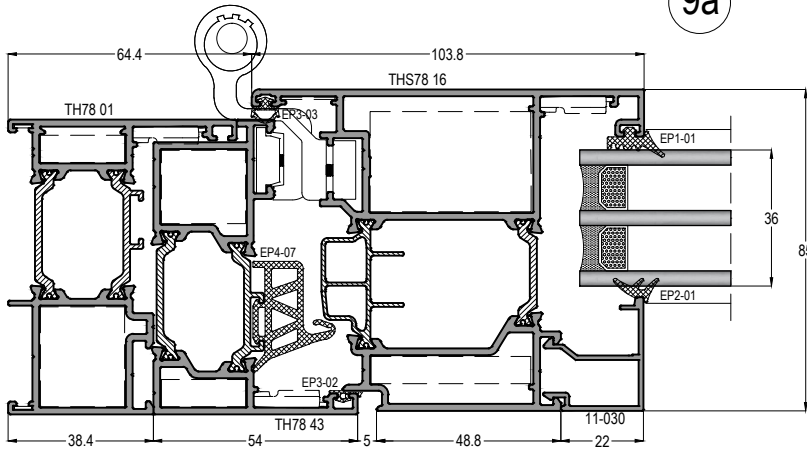
DİŞA AÇILIR KAPI DETAYLARI

OUTER OPENING DOOR DETAILS

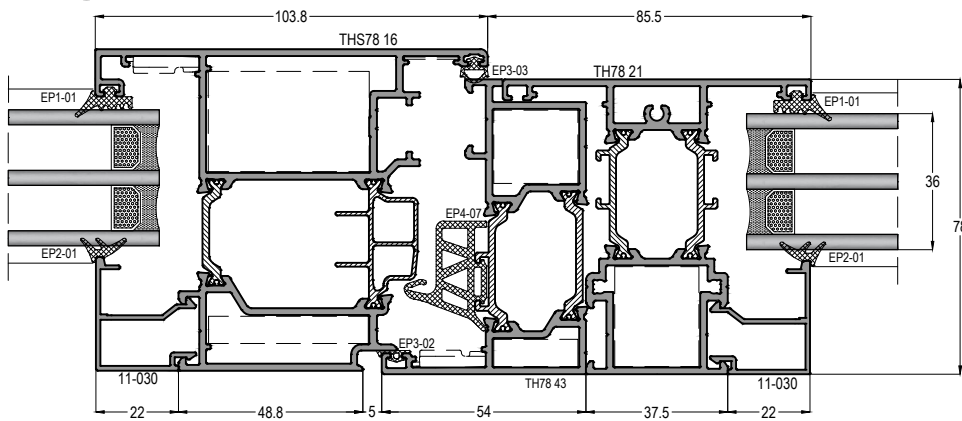
9



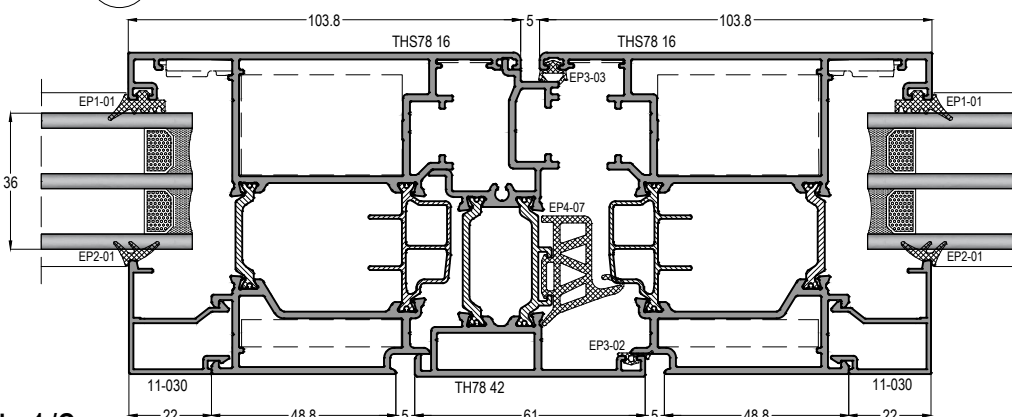
9a



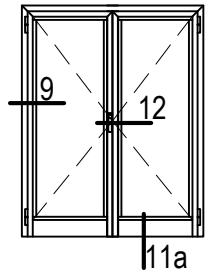
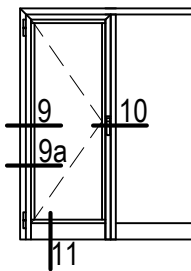
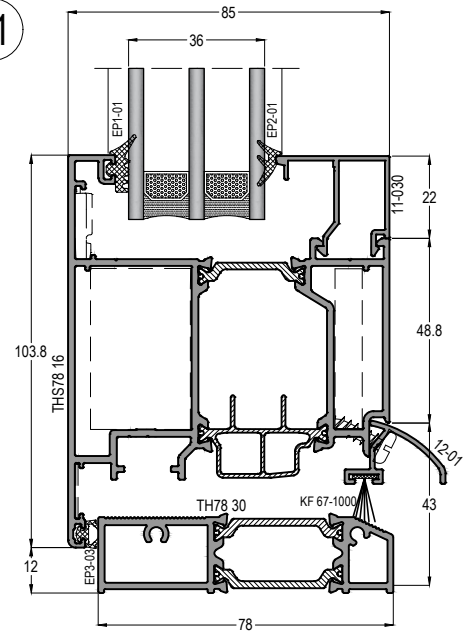
10



12



11



11a

