

**AB160**

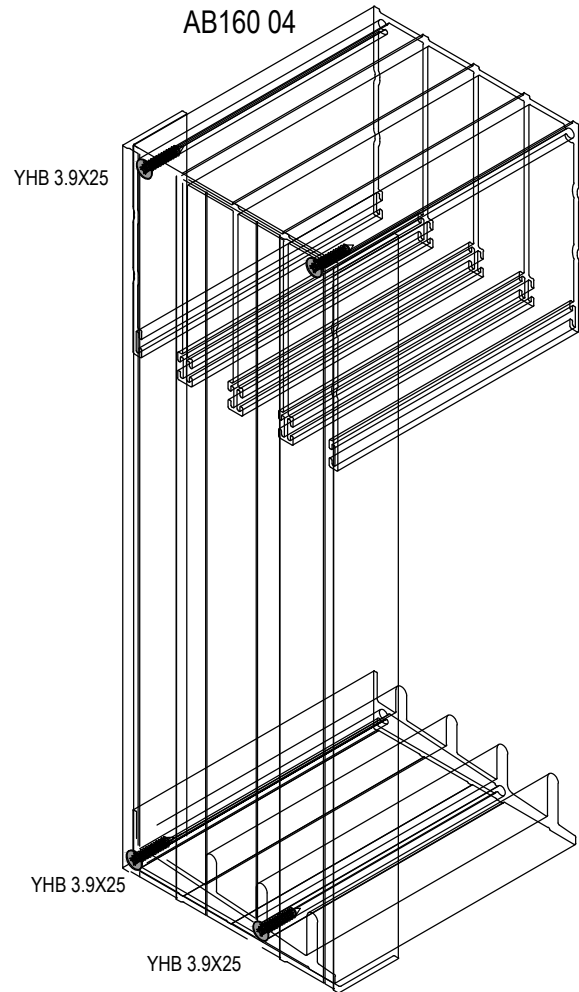
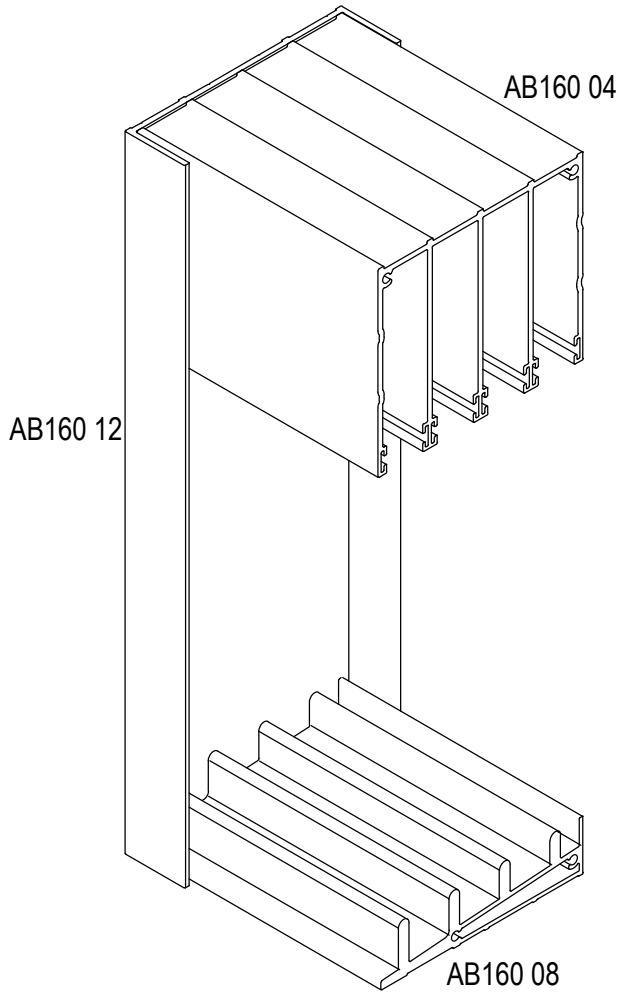
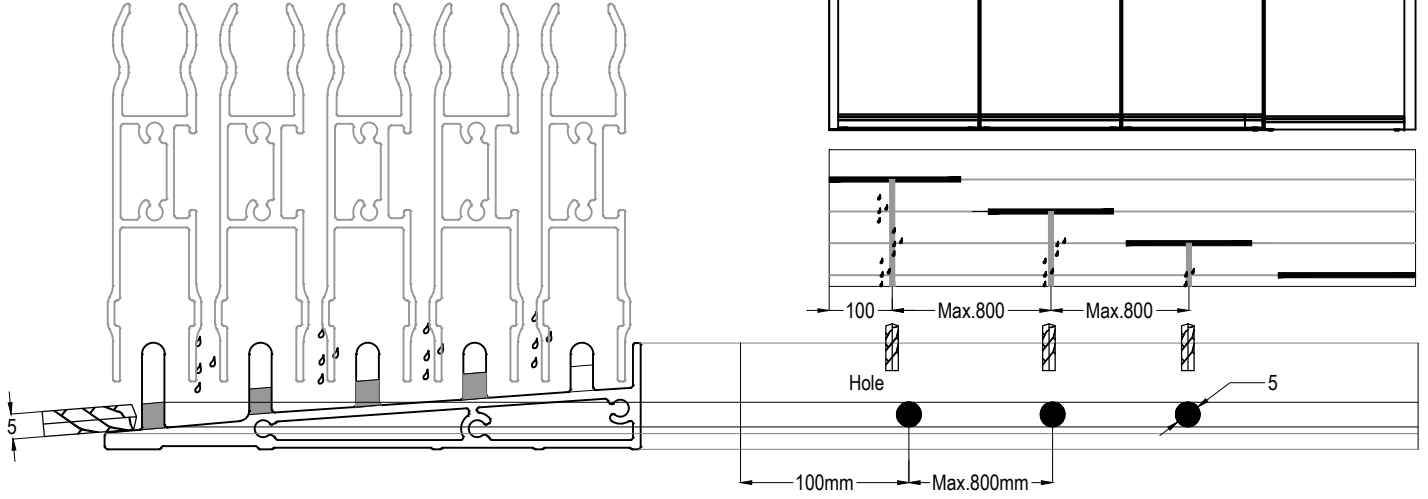
SÜRME CAM BALKON SİSTEMİ  
GLASS SLIDE SYSTEM

**ASISTAL**

**KESİM ve MONTAJ**  
*CUTTING & ASSEMBLY*

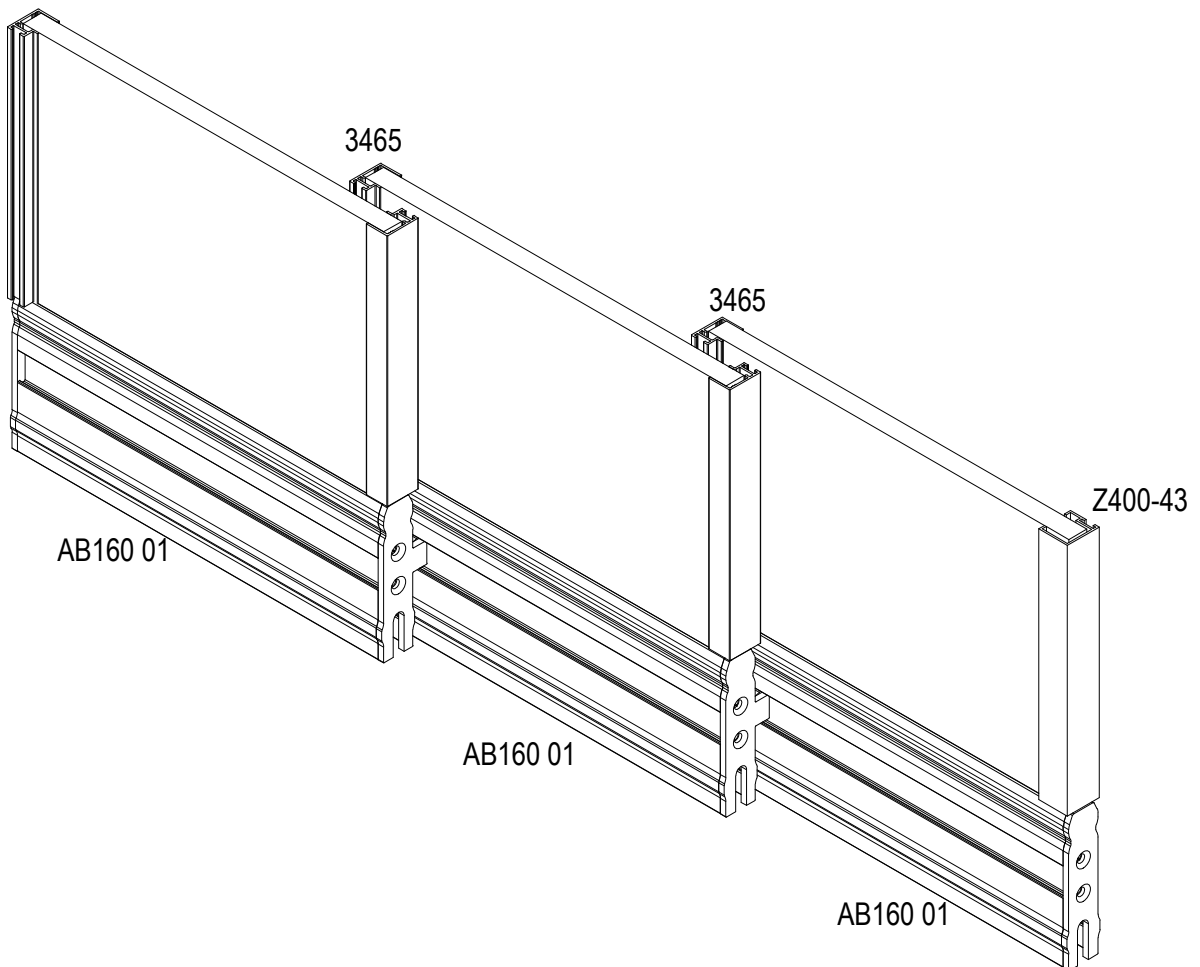
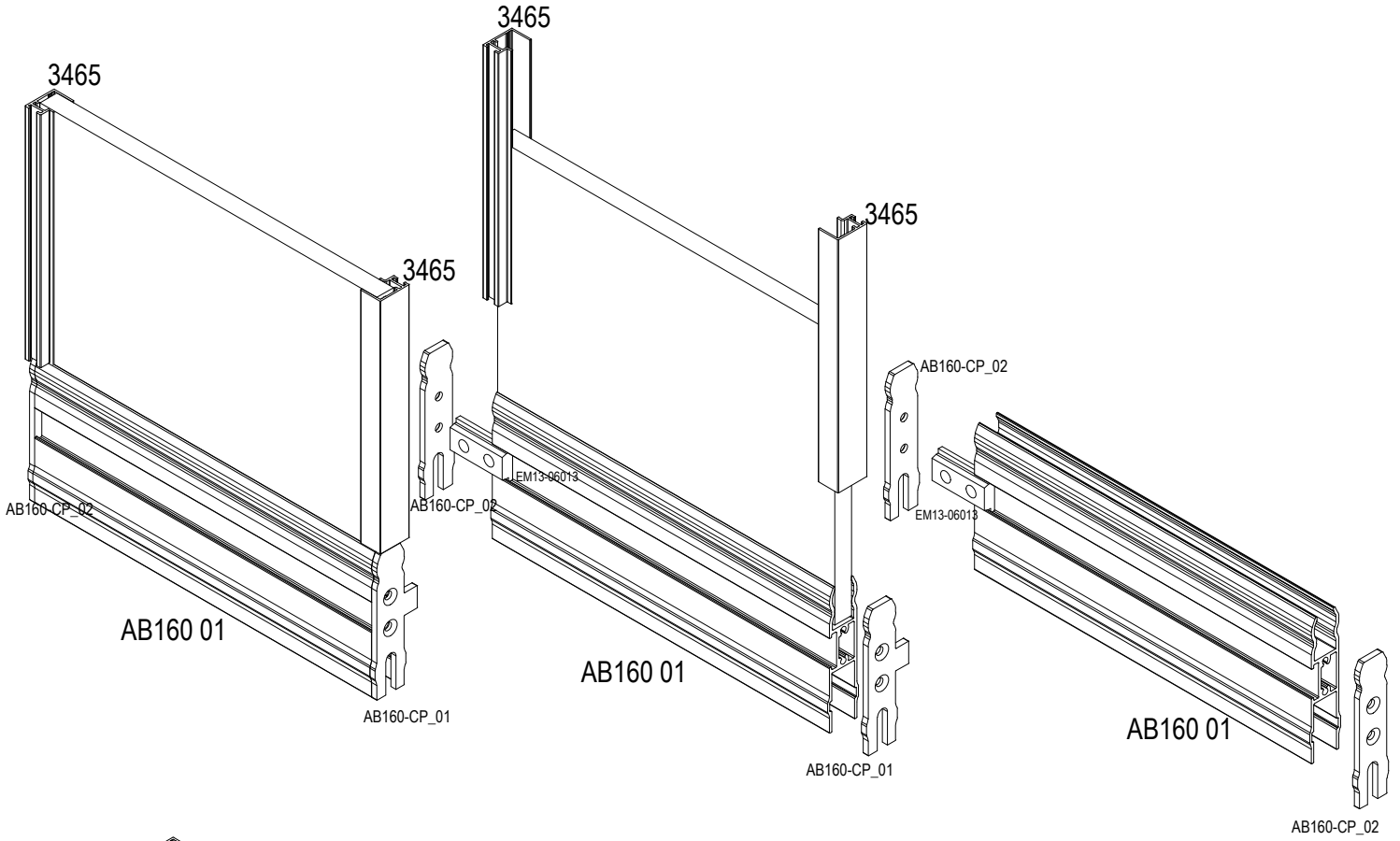
### SU TAHLİYE DELİK İŞLEMLERİ

#### WATER DRAINAGE HOLE OPERATIONS



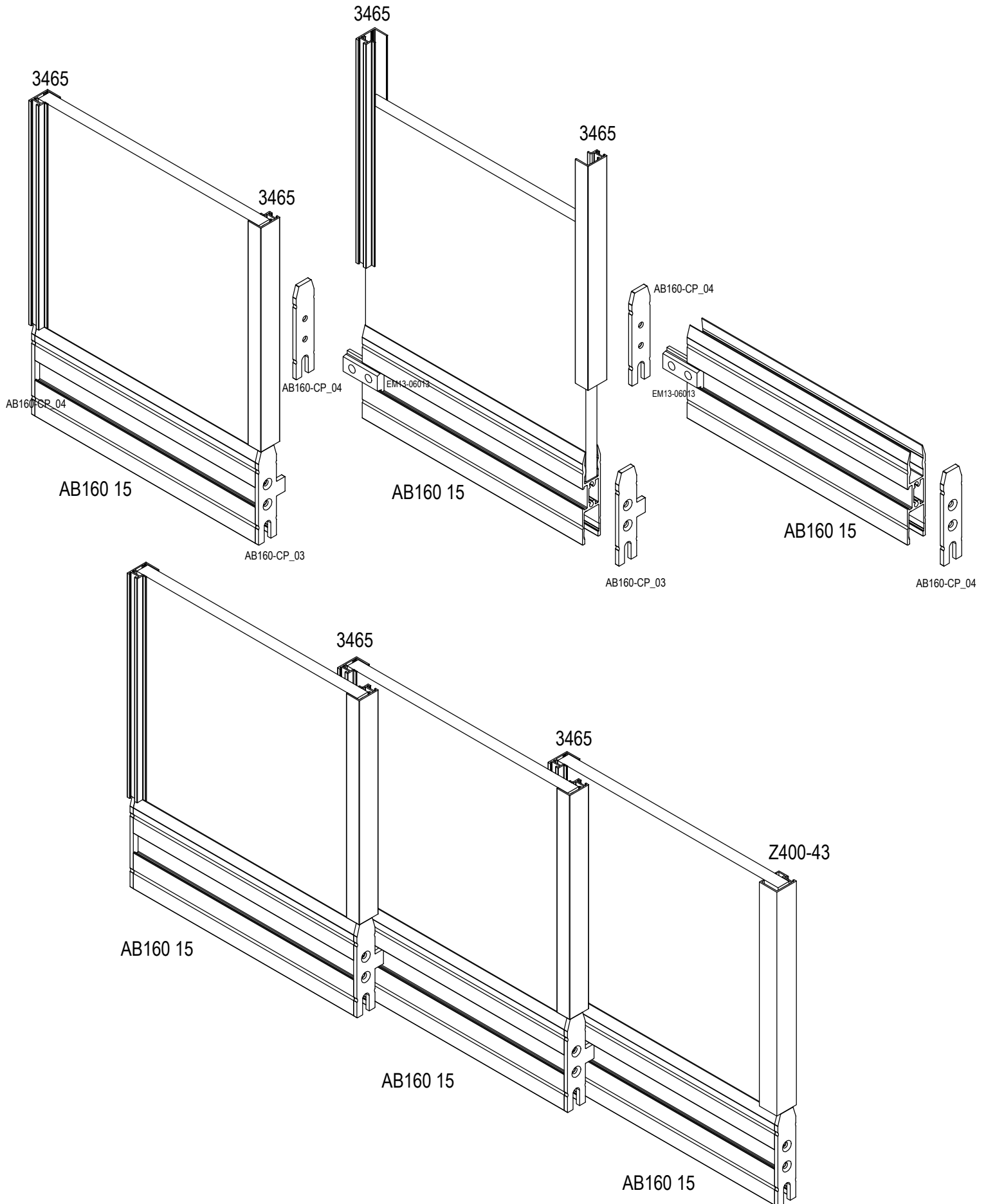
# AB160

SÜRME CAM BALKON SİSTEMİ  
GLASS SLIDE SYSTEM



# AB160

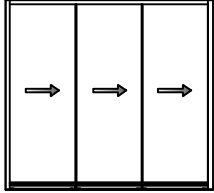
SÜRME CAM BALKON SİSTEMİ  
GLASS SLIDE SYSTEM



### KASA MONTAJI - 10 mm CAM İÇİN

#### SAĞA SÜRÜLÜR KANAT

ASSEMBLY FOR THRESHOLD FRAME - FOR 10mm GLASS  
SLIDING TO THE RIGHT WAY



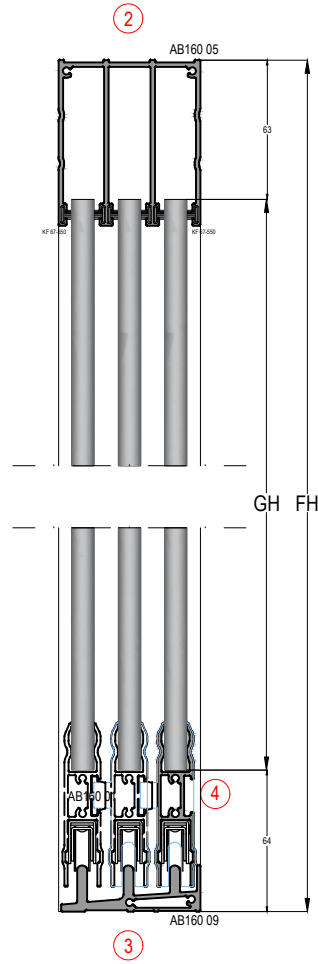
-MAX KANAT YÜKSEKLİĞİ İÇ MEKAN 3000mm, DIŞ MEKAN 2500mm  
MAX SASH HEIGHT IS 3000mm INSIDE, 2500mm OUTSIDE

-MAX KANAT ENİ 1800mm (TOPLAM KANAT ALANI 4m2 YI GEÇMEMELİ, RULMAN TAŞIMA KAPASİTESİ ORTALAMA 80kg)  
MAX SASH WIDTH IS 1800 mm (TOTAL SASH AREA MUST BE SMALLER THAN THE 4m2, ROLLER CARY CAPACITY IS 80kg)

CAM KESİM ÖLÇÜLERİ / GLASS CUTTING SIZES		
KOD / Code	TANIMI / Description	KESİM ÖLÇÜSÜ / Cutting Dimensions
GW	CAM GENİŞLİK / Sash Glass Width	(FW / 3) + 7.6mm
GH	CAM YÜKSEKLİK / Sash Glass Height	FH - 127mm

RIGHT SLIDING

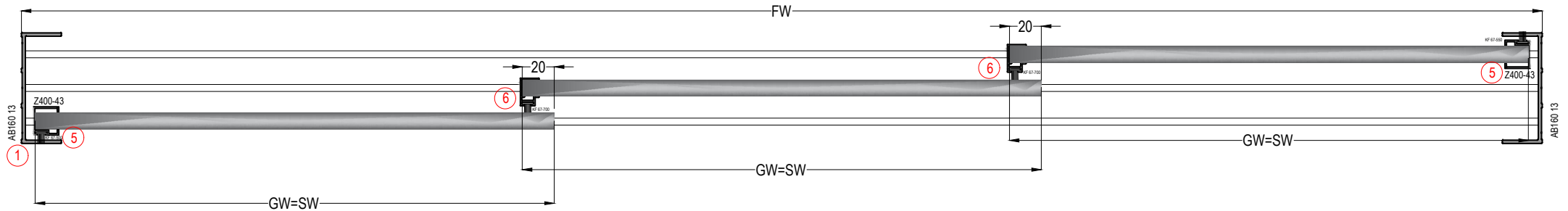
SAĞA SÜRÜLÜR KANATLAR



PROFİLLER / PROFILES					
NO / Number	ADET / Unit	KOD / Code	PROFİL ÇİZİMİ / Drawing	PROFİL TANIMI / Description	KESİM ÖLÇÜSÜ / Cutting Dimensions
1	2	AB160 13		YAN KASA PROFİLİ / Vertical Frame Profile	FH
2	1	AB160 05		ÜST KASA PROFİLİ / Top Frame Profile	FW - 5mm
3	1	AB160 09		ALT KASA PROFİLİ / Bottom Frame Profile	FW - 5mm
4	3	AB160 01		ALT KANAT PROFİLİ / Bottom Sash Profile	(FW / 3) + 7.6mm
5	2	Z400-43		KANAT BİTİŞ PROFİLİ / Vertical Sash Profile	FH - 162mm
6	2	3465		KANAT YAN PROFİLİ / Sash Side Profile	FH - 162mm

AKSESUARLAR / ACCESSORIES			
MİKTAR / Unit	KOD / Code	PROFİL ÇİZİMİ / Drawing	PROFİL TANIMI / Description
4 Adet / Pcs	AB160-CP_01		KENET KAPAK / Lock Cover
2 Adet / Pcs	AB160-CP_02		KENET KAPAK / Lock Cover
4 Adet / Pcs	EM13-06013		KENET PİMİ / Lock Pim
6 Adet / Pcs	SS AC-07		EŞİKLİ KASA ALT RULMAN / Bottom Roller
2 Adet / Pcs	SS AC-10		ÇEKME KOL / Pull Handle
2 Adet / Pcs	SS AC-11		SÜRME CAM İÇ KİLİT / Locking For Inside
2 Adet / Pcs	SS AC-13		METAL SÜRME CAM İÇ KİLİT / Locking For Inside
((FH - 162mm) *2) + (FW-5mm)*6	KF 67-550		FİRÇA FİTİL - 5.5mm / Brush Gasket
(FH - 162mm) *2	KF 67-700		FİRÇA FİTİL - 7 mm / Brush Gasket

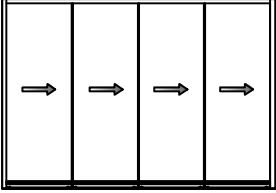
SEÇENEK OLARAK EXTRA KULLANILABİLİR - ADDITIONAL AVAILABLE AS OPTION



### KASA MONTAJI - 10 mm CAM İÇİN

#### SAĞA SÜRÜLÜR KANAT

ASSEMBLY FOR THRESHOLD FRAME - FOR 10mm GLASS  
SLIDING TO THE RIGHT WAY



-MAX KANAT YÜKSEKLİĞİ İÇ MEKAN 3000mm, DIŞ MEKAN 2500mm  
MAX SASH HEIGHT IS 3000mm INSIDE, 2500mm OUTSIDE

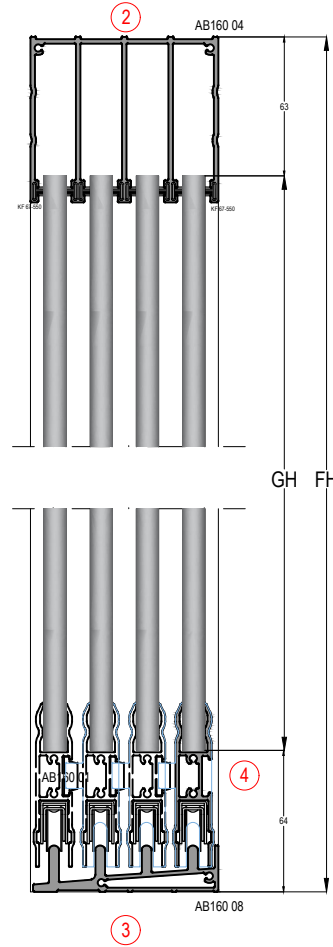
-MAX KANAT ENİ 1800mm (TOPLAM KANAT ALANI 4m2 YI GEÇMEMELİ, RULMAN TAŞIMA KAPASİTESİ ORTALAMA 80kg)  
MAX SASH WIDTH IS 1800 mm (TOTAL SASH AREA MUST BE SMALLER THAN THE 4m2, ROLLER CARY CAPACITY IS 80kg)

#### CAM KESİM ÖLÇÜLERİ / GLASS CUTTING SIZES

KOD / Code	TANIMI / Description	KESİM ÖLÇÜSÜ / Cutting Dimensions
GW	CAM GENİŞLİK / Sash Glass Width	(FW / 4) + 9.7mm
GH	CAM YÜKSEKLİK / Sash Glass Height	FH - 127mm

RIGHT SLIDING

SAĞA SÜRÜLÜR KANATLAR

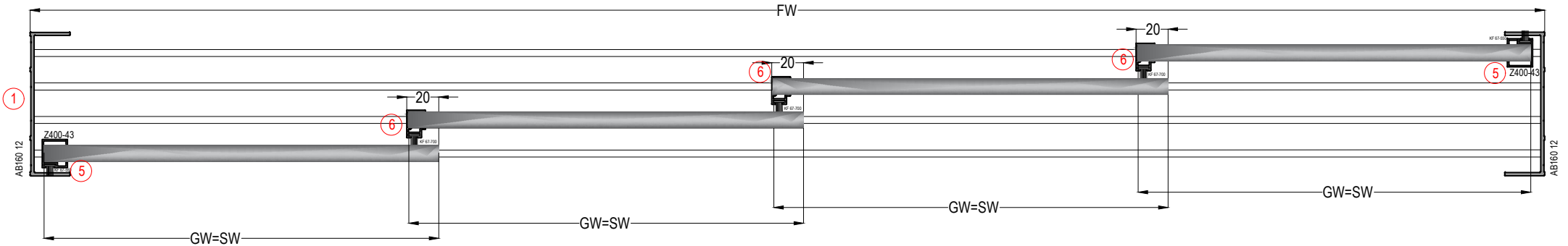


PROFİLLER / PROFILES					
NO / Number	ADET / Unit	KOD / Code	PROFİL ÇİZİMİ / Drawing	PROFİL TANIMI / Description	KESİM ÖLÇÜSÜ / Cutting Dimensions
1	2	AB160 12		YAN KASA PROFİLİ / Vertical Frame Profile	FH
2	1	AB160 04		ÜST KASA PROFİLİ / Top Frame Profile	FW - 5mm
3	1	AB160 08		ALT KASA PROFİLİ / Bottom Frame Profile	FW - 5mm
4	4	AB160 01		ALT KANAT PROFİLİ / Bottom Sash Profile	(FW / 4) + 9.7mm
5	2	Z400-43		KANAT BİTİŞ PROFİLİ / Vertical Sash Profile	FH - 162mm
6	3	3465		KANAT YAN PROFİLİ / Sash Side Profile	FH - 162mm

#### AKSESUARLAR / ACCESSORIES

MİKTAR / Unit	KOD / Code	PROFİL ÇİZİMİ / Drawing	PROFİL TANIMI / Description
6 Adet / Pcs	AB160-CP_01		KENET KAPAK / Lock Cover
2 Adet / Pcs	AB160-CP_02		KENET KAPAK / Lock Cover
3 Adet / Pcs	EM13-06013		KENET PİMİ / Lock Pim
8 Adet / Pcs	SS AC-07		EŞİKLİ KASA ALT RULMAN / Bottom Roller
2 Adet / Pcs	SS AC-10		ÇEKME KOL / Pull Handle
2 Adet / Pcs	SS AC-11		SÜRME CAM İÇ KİLİT / Locking For Inside
2 Adet / Pcs	SS AC-13		METAL SÜRME CAM İÇ KİLİT / Locking For Inside
((FH - 162mm) * 3) + (FW-5mm)*8	KF 67-550		FİRÇA FİTİL - 5.5mm / Brush Gasket
(FH - 162mm) * 2	KF 67-700		FİRÇA FİTİL - 7 mm / Brush Gasket

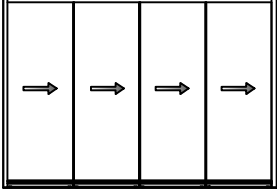
SEÇENEK OLARAK EXTRA KULLANILABİLİR - ADDITIONAL AVAILABLE AS OPTION



## KASA MONTAJI - 10 mm CAM İÇİN

### SAĞA SÜRÜLÜR KANAT

ASSEMBLY FOR THRESHOLD FRAME - FOR 10mm GLASS  
SLIDING TO THE RIGHT WAY



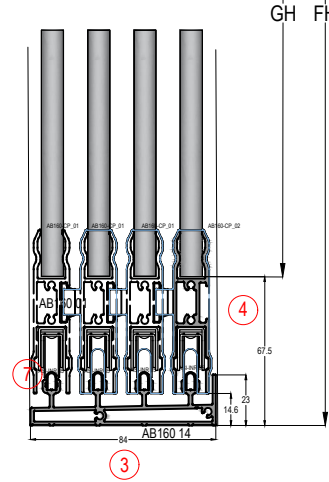
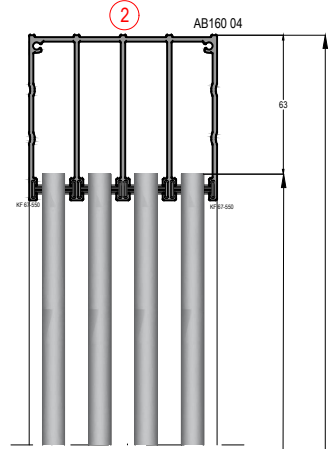
-MAX KANAT YÜKSEKLİĞİ İÇ MEKAN 3000mm, DIŞ MEKAN 2500mm  
-MAX SASH HEIGHT IS 3000mm INSIDE, 2500mm OUTSIDE

-MAX KANAT ENİ 1800mm (TOPLAM KANAT ALANI 4m2 Yİ GEÇMEMELİ, RULMAN TAŞIMA KAPASİTESİ ORTALAMA 80kg)  
-MAX SASH WIDTH IS 1800 mm (TOTAL SASH AREA MUST BE SMALLER THAN THE 4m2, ROLLER CARY CAPACITY IS 80kg)

CAM KESİM ÖLÇÜLERİ / GLASS CUTTING SIZES		
KOD / Code	TANIMI / Description	KESİM ÖLÇÜSÜ / Cutting Dimensions
GW	CAM GENİŞLİK / Sash Glass Width	(FW / 4) + 9.7mm
GH	CAM YÜKSEKLİK / Sash Glass Height	FH - 130.5 mm

RIGHT SLIDING

SAĞA SÜRÜLÜR KANATLAR



GH FH

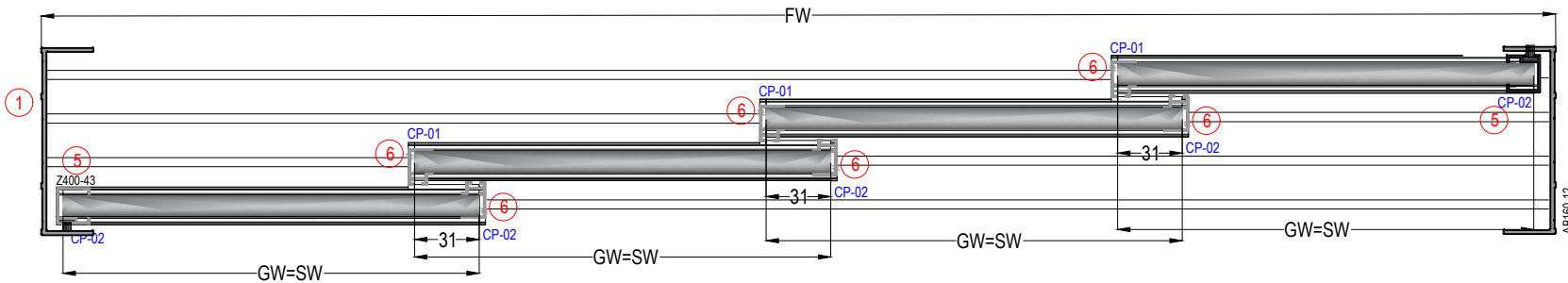
### PROFİLLER / PROFILES

NO / Number	ADET / Unit	KOD / Code	PROFİL ÇİZİMİ / Drawing	PROFİL TANIMI / Description	KESİM ÖLÇÜSÜ / Cutting Dimensions
1	2	AB160 12		YAN KASA PROFİLİ / Vertical Frame Profile	FH
2	1	AB160 04		ÜST KASA PROFİLİ / Top Frame Profile	FW - 5mm
3	1	AB160 14		ALT KASA PROFİLİ / Bottom Frame Profile	FW - 5mm
4	4	AB160 01		ALT KANAT PROFİLİ / Bottom Sash Profile	(FW / 4) + 9.7mm
5	2	Z400-43		KANAT BİTİŞ PROFİLİ / Vertical Sash Profile	FH - 162mm
6	3	3465		KANAT YAN PROFİLİ / Sash Side Profile	FH - 162mm
7	4	ASI-İNR 05		ÇELİK RAY PROFİLİ / Steel Rail Profile	FW - 5mm

### AKSESUARLAR / ACCESSORIES

MİKTAR / Unit	KOD / Code	PROFİL ÇİZİMİ / Drawing	PROFİL TANIMI / Description
6 Adet / Pcs	AB160-CP_01		KENET KAPAK / Lock Cover
2 Adet / Pcs	AB160-CP_02		KENET KAPAK / Lock Cover
3 Adet / Pcs	EM13-06013		KENET PİMİ / Lock Pim
8 Adet / Pcs	SS AC-07		EŞİKLİ KASA ALT RULMAN / Bottom Roller
2 Adet / Pcs	SS AC-10		ÇEKME KOL / Pull Handle
2 Adet / Pcs	SS AC-11		SÜRME CAM İÇ KİLİT / Locking For Inside
2 Adet / Pcs	SS AC-13		METAL SÜRME CAM İÇ KİLİT / Locking For Inside
((FH - 162mm) * 3) + (FW-5mm)*8	KF 67-550		FIRÇA FİTİL - 5.5mm / Brush Gasket
(FH - 162mm) * 2	KF 67-700		FIRÇA FİTİL - 7 mm / Brush Gasket

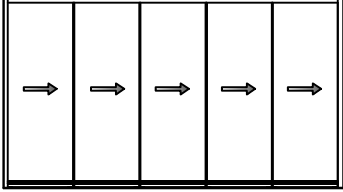
⊗ SEÇENEK OLARAK EXTRA KULLANILABİLİR - ADDITIONAL AVAILABLE AS OPTION



### KASA MONTAJI - 10 mm CAM İÇİN

#### SAĞA SÜRÜLÜR KANAT

ASSEMBLY FOR THRESHOLD FRAME - FOR 10mm GLASS  
SLIDING TO THE RIGHT WAY



-MAX KANAT YÜKSEKLİĞİ İÇ MEKAN 3000mm, DIŞ MEKAN 2500mm  
MAX SASH HEIGHT IS 3000mm INSIDE, 2500mm OUTSIDE

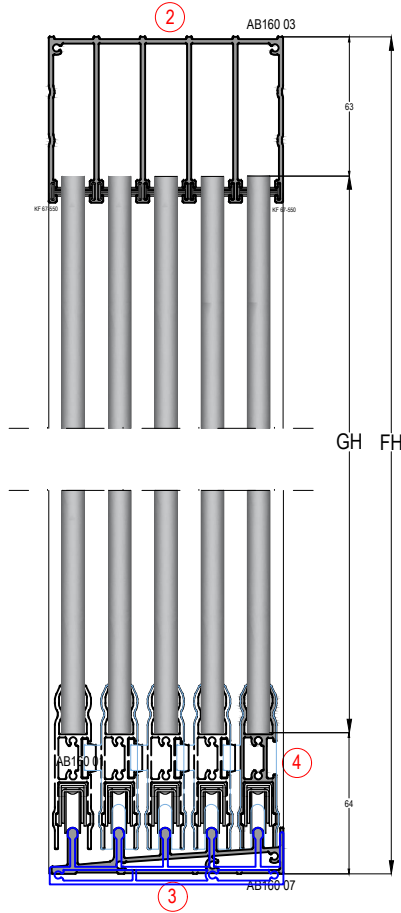
-MAX KANAT ENİ 1800mm (TOPLAM KANAT ALANI 4m2 Yİ GEÇMEMELİ, RULMAN TAŞIMA KAPASİTESİ ORTALAMA 80kg)  
MAX SASH WIDTH IS 1800 mm (TOTAL SASH AREA MUST BE SMALLER THAN THE 4m2, ROLLER CARY CAPACITY IS 80kg)

#### CAM KESİM ÖLÇÜLERİ / GLASS CUTTING SIZES

KOD / Code	TANIMI / Description	KESİM ÖLÇÜSÜ / Cutting Dimensions
GW	CAM GENİŞLİK / Sash Glass Width	(FW / 5) + 12.5mm
GH	CAM YÜKSEKLİK / Sash Glass Height	FH - 127mm

RIGHT SLIDING

SAĞA SÜRÜLÜR KANATLAR

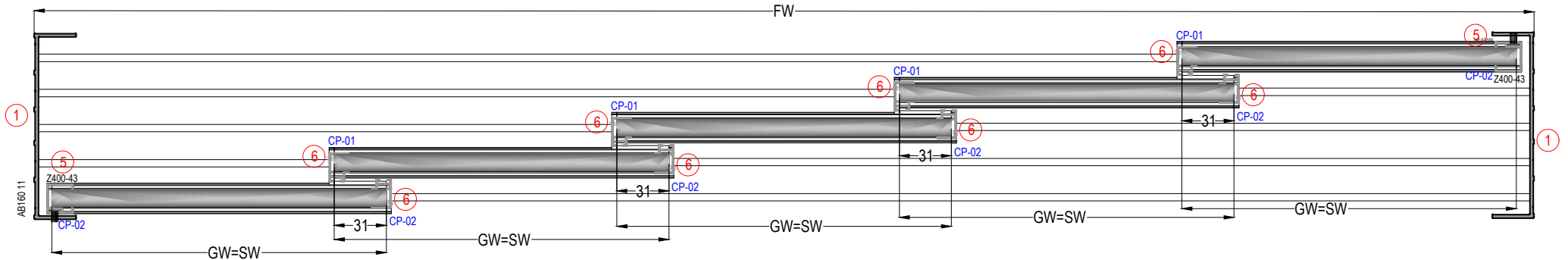


PROFİLLER / PROFILES					
NO / Number	ADET / Unit	KOD / Code	PROFİL ÇİZİMİ / Drawing	PROFİL TANIMI / Description	KESİM ÖLÇÜSÜ / Cutting Dimensions
1	2	AB160 11		YAN KASA PROFİLİ / Vertical Frame Profile	FH
2	1	AB160 03		ÜST KASA PROFİLİ / Top Frame Profile	FW - 5mm
3	1	AB160 07		ALT KASA PROFİLİ / Bottom Frame Profile	FW - 5mm
4	5	AB160 01		ALT KANAT PROFİLİ / Bottom Sash Profile	(FW / 5) + 20.5mm
5	2	Z400-43		KANAT BİTİŞ PROFİLİ / Vertical Sash Profile	FH - 162mm
6	4	3465		KANAT YAN PROFİLİ / Sash Side Profile	FH - 162mm

#### AKSESUARLAR / ACCESSORIES

MİKTAR / Unit	KOD / Code	PROFİL ÇİZİMİ / Drawing	PROFİL TANIMI / Description
8 Adet / Pcs	AB160-CP_01		KENET KAPAK / Lock Cover
2 Adet / Pcs	AB160-CP_02		KENET KAPAK / Lock Cover
4 Adet / Pcs	EM13-06013		KENET PİMİ / Lock Pim
10 Adet / Pcs	SS AC-07		EŞİKLİ KASA ALT RULMAN / Bottom Roller
2 Adet / Pcs	SS AC-10		ÇEKME KOL / Pull Handle
2 Adet / Pcs	SS AC-11		SÜRME CAM İÇ KİLİT / Locking For Inside
2 Adet / Pcs	SS AC-13		METAL SÜRME CAM İÇ KİLİT / Locking For Inside
((FH - 162mm) * 4) + (FW-5mm)*10	KF 67-550		FİRÇA FİTİL - 5.5mm / Brush Gasket
(FH - 162mm) * 2	KF 67-700		FİRÇA FİTİL - 7 mm / Brush Gasket

SEÇENEK OLARAK EXTRA KULLANILABİLİR - ADDITIONAL AVAILABLE AS OPTION

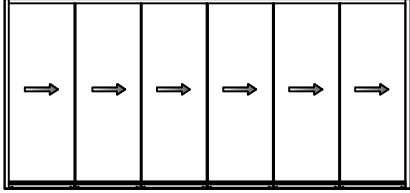




### KASA MONTAJI - 10 mm CAM İÇİN

#### SAĞA SÜRÜLÜR KANAT

ASSEMBLY FOR THRESHOLD FRAME - FOR 10mm GLASS  
SLIDING TO THE RIGHT WAY



-MAX KANAT YÜKSEKLİĞİ İÇ MEKAN 3000mm, DIŞ MEKAN 2500mm  
MAX SASH HEIGHT IS 3000mm INSIDE, 2500mm OUTSIDE

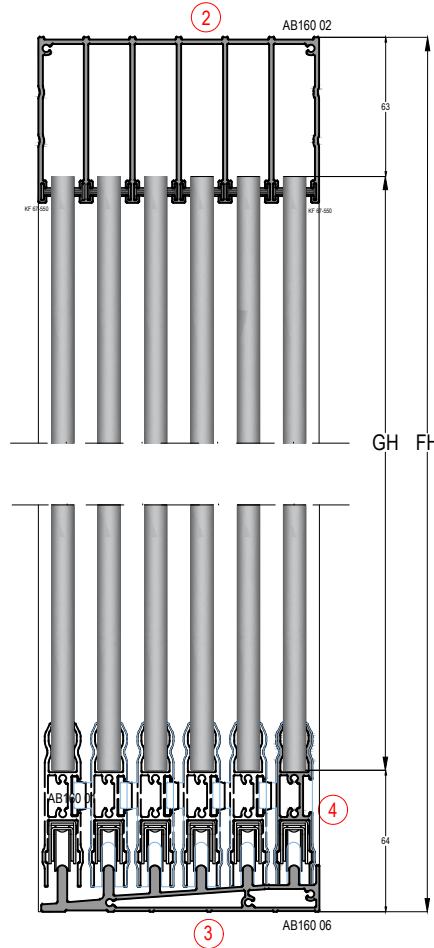
-MAX KANAT ENİ 1800mm (TOPLAM KANAT ALANI 4m2 Yİ GEÇMEMELİ, RULMAN TAŞIMA KAPASİTESİ ORTALAMA 80kg)  
MAX SASH WIDTH IS 1800 mm (TOTAL SASH AREA MUST BE SMALLER THAN THE 4m2, ROLLER CARY CAPACITY IS 80kg)

#### CAM KESİM ÖLÇÜLERİ / GLASS CUTTING SIZES

KOD / Code	TANIMI / Description	KESİM ÖLÇÜSÜ / Cutting Dimensions
GW	CAM GENİŞLİK / Sash Glass Width	(FW / 6) + 22 mm
GH	CAM YÜKSEKLİK / Sash Glass Height	FH - 127mm

RIGHT SLIDING

SAĞA SÜRÜLÜR KANATLAR

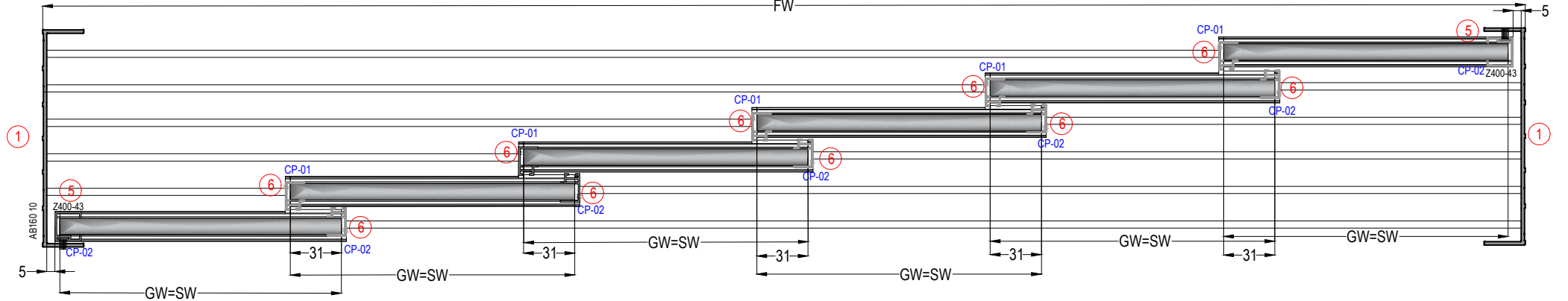


PROFİLLER / PROFILES					
NO / Number	ADET / Unit	KOD / Code	PROFİL ÇİZİMİ / Drawing	PROFİL TANIMI / Description	KESİM ÖLÇÜSÜ / Cutting Dimensions
1	2	AB160 10		YAN KASA PROFİLİ / Vertical Frame Profile	FH
2	1	AB160 02		ÜST KASA PROFİLİ / Top Frame Profile	FW - 5mm
3	1	AB160 06		ALT KASA PROFİLİ / Bottom Frame Profile	FW - 5mm
4	6	AB160 01		ALT KANAT PROFİLİ / Bottom Sash Profile	(FW / 6) + 22,5 mm
5	2	Z400-43		KANAT BİTİŞ PROFİLİ / Vertical Sash Profile	FH - 162mm
6	5	3465		KANAT YAN PROFİLİ / Sash Side Profile	FH - 162mm

#### AKSESUARLAR / ACCESSORIES

MİKTAR / Unit	KOD / Code	PROFİL ÇİZİMİ / Drawing	PROFİL TANIMI / Description
5 Adet / Pcs	AB160-CP_01		KENET KAPAK / Lock Cover
7 Adet / Pcs	AB160-CP_02		KENET KAPAK / Lock Cover
5 Adet / Pcs	EM13-06013		KENET PİMİ / Lock Pim
12 Adet / Pcs	SS AC-07		EŞİKLİ KASA ALT RULMAN / Bottom Roller
2 Adet / Pcs	SS AC-10		ÇEKME KOL / Pull Handle
2 Adet / Pcs	SS AC-11		SÜRME CAM İÇ KİLİT / Locking For Inside
2 Adet / Pcs	SS AC-13		METAL SÜRME CAM İÇ KİLİT / Locking For Inside
((FH - 162mm) * 5) + (FW-5mm) * 12	KF 67-550		FIRÇA FİTİL - 5.5mm / Brush Gasket
(FH - 162mm) * 2	KF 67-700		FIRÇA FİTİL - 7 mm / Brush Gasket

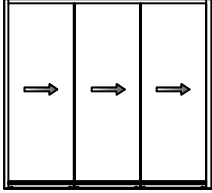
SEÇENEK OLARAK EXTRA KULLANILABİLİR - ADDITIONAL AVAILABLE AS OPTION



### KASA MONTAJI - 10 mm CAM İÇİN

#### SAĞA SÜRÜLÜR KANAT

ASSEMBLY FOR THRESHOLD FRAME - FOR 10mm GLASS  
SLIDING TO THE RIGHT WAY



-MAX KANAT YÜKSEKLİĞİ İÇ MEKAN 3000mm, DIŞ MEKAN 2500mm  
MAX SASH HEIGHT IS 3000mm INSIDE, 2500mm OUTSIDE

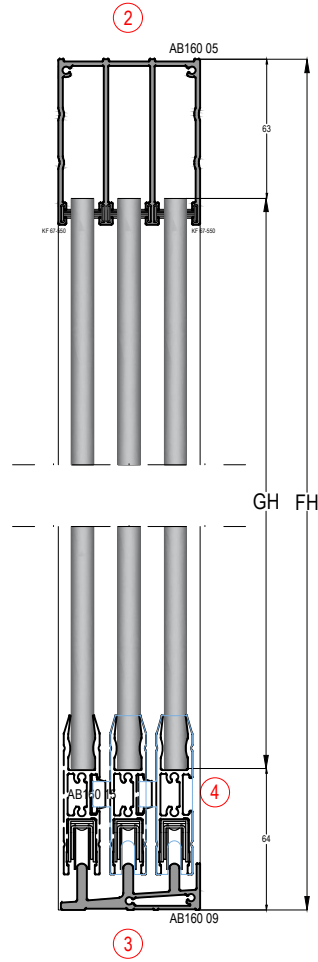
-MAX KANAT ENİ 1800mm (TOPLAM KANAT ALANI 4m2 YI GEÇMEMELİ, RULMAN TAŞIMA KAPASİTESİ ORTALAMA 80kg)  
MAX SASH WIDTH IS 1800 mm (TOTAL SASH AREA MUST BE SMALLER THAN THE 4m2, ROLLER CARRY CAPACITY IS 80kg)

#### CAM KESİM ÖLÇÜLERİ / GLASS CUTTING SIZES

KOD / Code	TANIMI / Description	KESİM ÖLÇÜSÜ / Cutting Dimensions
GW	CAM GENİŞLİK / Sash Glass Width	(FW / 3) + 7.6mm
GH	CAM YÜKSEKLİK / Sash Glass Height	FH - 127mm

RIGHT SLIDING

SAĞA SÜRÜLÜR KANATLAR



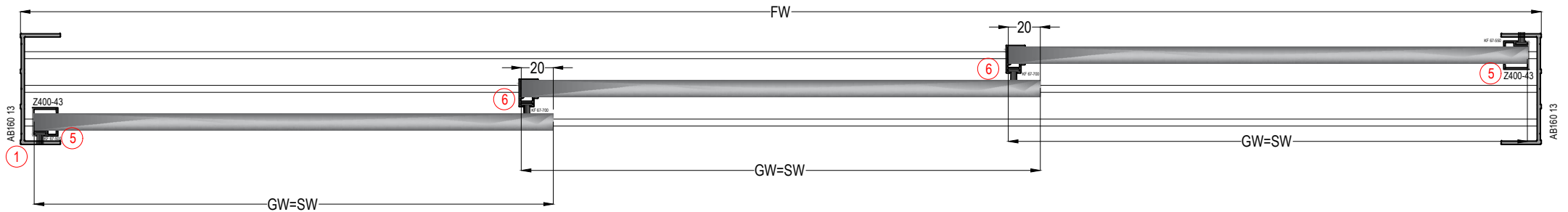
#### PROFİLLER / PROFILES

NO / Number	ADET / Unit	KOD / Code	PROFİL ÇİZİMİ / Drawing	PROFİL TANIMI / Description	KESİM ÖLÇÜSÜ / Cutting Dimensions
1	2	AB160 13		YAN KASA PROFİLİ / Vertical Frame Profile	FH
2	1	AB160 05		ÜST KASA PROFİLİ / Top Frame Profile	FW - 5mm
3	1	AB160 09		ALT KASA PROFİLİ / Bottom Frame Profile	FW - 5mm
4	3	AB160 15		ALT KANAT PROFİLİ / Bottom Sash Profile	(FW / 3) + 7.6mm
5	2	Z400-43		KANAT BİTİŞ PROFİLİ / Vertical Sash Profile	FH - 162mm
6	2	3465		KANAT YAN PROFİLİ / Sash Side Profile	FH - 162mm

#### AKSESUARLAR / ACCESSORIES

MİKTAR / Unit	KOD / Code	PROFİL ÇİZİMİ / Drawing	PROFİL TANIMI / Description
4 Adet / Pcs	AB160-CP_03		KENET KAPAK / Lock Cover
2 Adet / Pcs	AB160-CP_04		KENET KAPAK / Lock Cover
4 Adet / Pcs	EM13-06013		KENET PİMİ / Lock Pim
6 Adet / Pcs	SS AC-07		EŞİKLİ KASA ALT RULMAN / Bottom Roller
2 Adet / Pcs	SS AC-10		ÇEKME KOL / Pull Handle
2 Adet / Pcs	SS AC-11		SÜRME CAM İÇ KİLİT / Locking For Inside
2 Adet / Pcs	SS AC-13		METAL SÜRME CAM İÇ KİLİT / Locking For Inside
((FH - 162mm) * 2) + (FW-5mm)*6	KF 67-550		FİRÇA FİTİL - 5.5mm / Brush Gasket
(FH - 162mm) * 2	KF 67-700		FİRÇA FİTİL - 7 mm / Brush Gasket

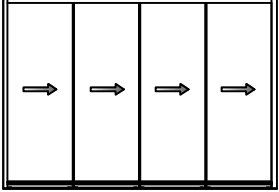
SEÇENEK OLARAK EXTRA KULLANILABİLİR - ADDITIONAL AVAILABLE AS OPTION



## KASA MONTAJI - 10 mm CAM İÇİN

### SAĞA SÜRÜLÜR KANAT

ASSEMBLY FOR THRESHOLD FRAME - FOR 10mm GLASS  
SLIDING TO THE RIGHT WAY



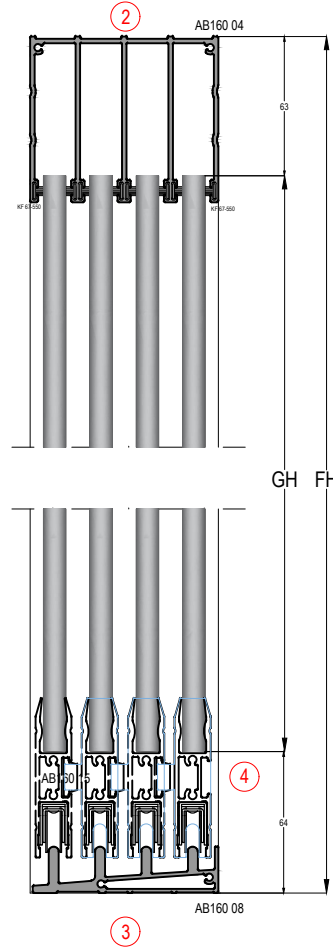
-MAX KANAT YÜKSEKLİĞİ İÇ MEKAN 3000mm, DIŞ MEKAN 2500mm  
MAX SASH HEIGHT IS 3000mm INSIDE, 2500mm OUTSIDE

-MAX KANAT ENİ 1800mm (TOPLAM KANAT ALANI 4m2 YI GEÇMEMELİ, RULMAN TAŞIMA KAPASİTESİ ORTALAMA 80kg)  
MAX SASH WIDTH IS 1800 mm (TOTAL SASH AREA MUST BE SMALLER THAN THE 4m2, ROLLER CARY CAPACITY IS 80kg)

CAM KESİM ÖLÇÜLERİ / GLASS CUTTING SIZES		
KOD / Code	TANIMI / Description	KESİM ÖLÇÜSÜ / Cutting Dimensions
GW	CAM GENİŞLİK / Sash Glass Width	(FW / 4) + 9.7mm
GH	CAM YÜKSEKLİK / Sash Glass Height	FH - 127mm

RIGHT SLIDING

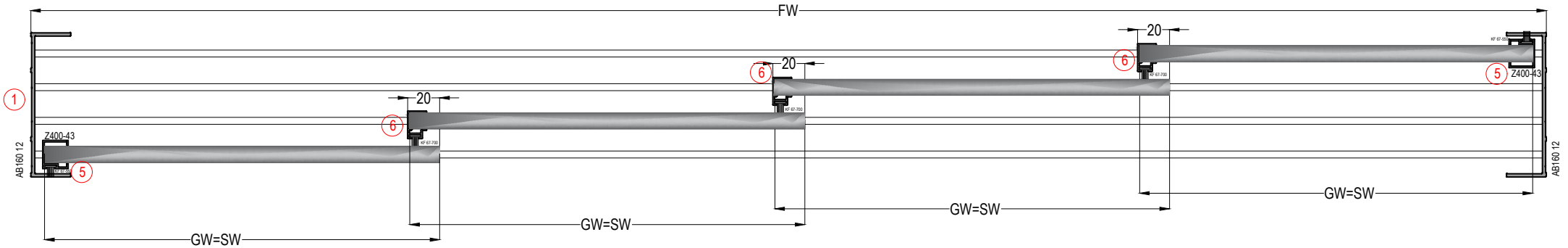
SAĞA SÜRÜLÜR KANATLAR



PROFİLLER / PROFILES					
NO / Number	ADET / Unit	KOD / Code	PROFİL ÇİZİMİ / Drawing	PROFİL TANIMI / Description	KESİM ÖLÇÜSÜ / Cutting Dimensions
1	2	AB160 12		YAN KASA PROFİLİ / Vertical Frame Profile	FH
2	1	AB160 04		ÜST KASA PROFİLİ / Top Frame Profile	FW - 5mm
3	1	AB160 08		ALT KASA PROFİLİ / Bottom Frame Profile	FW - 5mm
4	4	AB160 15		ALT KANAT PROFİLİ / Bottom Sash Profile	(FW / 4) + 9.7mm
5	2	Z400-43		KANAT BİTİŞ PROFİLİ / Vertical Sash Profile	FH - 162mm
6	3	3465		KANAT YAN PROFİLİ / Sash Side Profile	FH - 162mm

AKSESUARLAR / ACCESSORIES			
MİKTAR / Unit	KOD / Code	PROFİL ÇİZİMİ / Drawing	PROFİL TANIMI / Description
6 Adet / Pcs	AB160-CP_03		KENET KAPAK / Lock Cover
2 Adet / Pcs	AB160-CP_04		KENET KAPAK / Lock Cover
3 Adet / Pcs	EM13-06013		KENET PİMİ / Lock Pim
8 Adet / Pcs	SS AC-07		EŞİKLİ KASA ALT RULMAN / Bottom Roller
2 Adet / Pcs	SS AC-10		ÇEKME KOL / Pull Handle
2 Adet / Pcs	SS AC-11		SÜRME CAM İÇ KİLİT / Locking For Inside
2 Adet / Pcs	SS AC-13		METAL SÜRME CAM İÇ KİLİT / Locking For Inside
((FH - 162mm) * 3) + (FW-5mm)*8	KF 67-550		FIRÇA FİTİL - 5.5mm / Brush Gasket
(FH - 162mm) * 2	KF 67-700		FIRÇA FİTİL - 7 mm / Brush Gasket

⊗ SEÇENEK OLARAK EXTRA KULLANILABİLİR - ADDITIONAL AVAILABLE AS OPTION

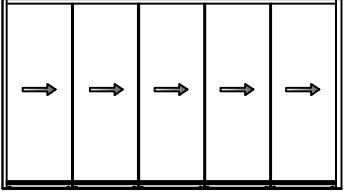




**KASA MONTAJI - 10 mm CAM İÇİN**

**SAĞA SÜRÜLÜR KANAT**

ASSEMBLY FOR THRESHOLD FRAME - FOR 10mm GLASS  
SLIDING TO THE RIGHT WAY



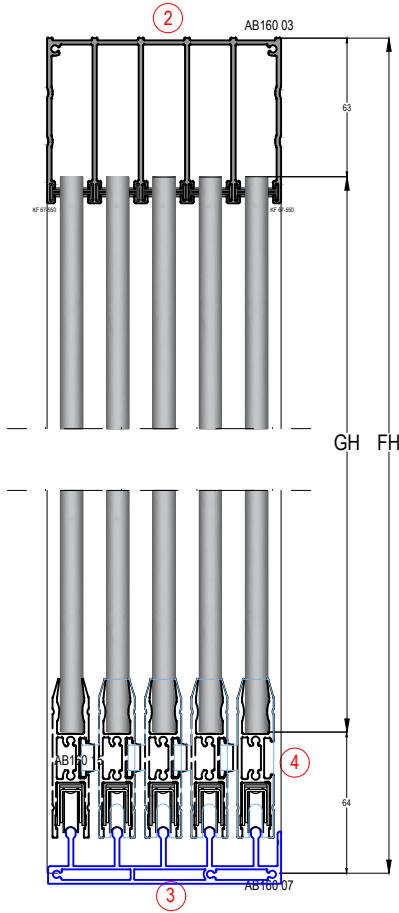
-MAX KANAT YÜKSEKLİĞİ İÇ MEKAN 3000mm, DIŞ MEKAN 2500mm  
MAX SASH HEIGHT IS 3000mm INSIDE, 2500mm OUTSIDE

-MAX KANAT ENİ 1800mm (TOPLAM KANAT ALANI 4m2 YI GEÇMEMELİ, RULMAN TAŞIMA KAPASİTESİ ORTALAMA 80kg)  
MAX SASH WIDTH IS 1800 mm (TOTAL SASH AREA MUST BE SMALLER THAN THE 4m2, ROLLER CARY CAPACITY IS 80kg)

CAM KESİM ÖLÇÜLERİ / GLASS CUTTING SIZES		
KOD / Code	TANIMI / Description	KESİM ÖLÇÜSÜ / Cutting Dimensions
GW	CAM GENİŞLİK / Sash Glass Width	(FW / 5) + 12.5mm
GH	CAM YÜKSEKLİK / Sash Glass Height	FH - 127mm

RIGHT SLIDING

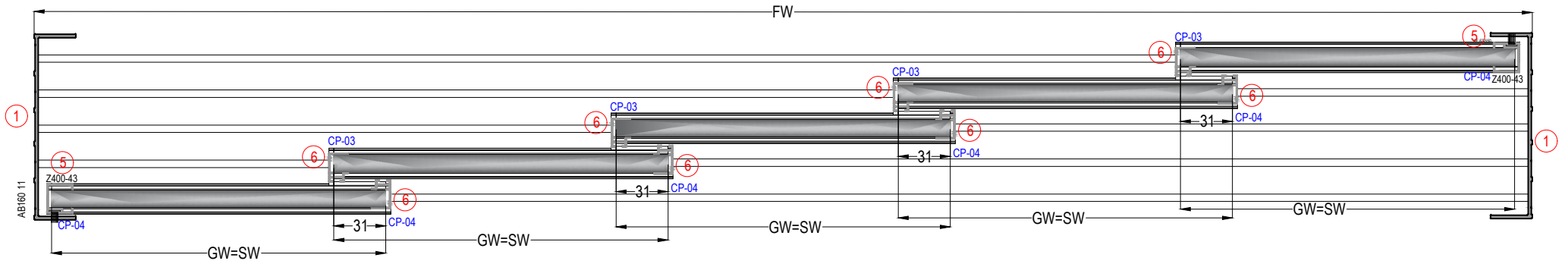
SAĞA SÜRÜLÜR KANATLAR



PROFİLLER / PROFILES					
NO / Number	ADET / Unit	KOD / Code	PROFİL ÇİZİMİ / Drawing	PROFİL TANIMI / Description	KESİM ÖLÇÜSÜ / Cutting Dimensions
1	2	AB160 11		YAN KASA PROFİLİ / Vertical Frame Profile	FH
2	1	AB160 03		ÜST KASA PROFİLİ / Top Frame Profile	FW - 5mm
3	1	AB160 07		ALT KASA PROFİLİ / Bottom Frame Profile	FW - 5mm
4	5	AB160 15		ALT KANAT PROFİLİ / Bottom Sash Profile	(FW / 5) + 20.5mm
5	2	Z400-43		KANAT BİTİŞ PROFİLİ / Vertical Sash Profile	FH - 162mm
6	4	3465		KANAT YAN PROFİLİ / Sash Side Profile	FH - 162mm

AKSESUARLAR / ACCESSORIES			
MİKTAR / Unit	KOD / Code	PROFİL ÇİZİMİ / Drawing	PROFİL TANIMI / Description
8 Adet / Pcs	AB160-CP_03		KENET KAPAK / Lock Cover
2 Adet / Pcs	AB160-CP_04		KENET KAPAK / Lock Cover
4 Adet / Pcs	EM13-06013		KENET PİMİ / Lock Pim
10 Adet / Pcs	SS AC-07		EŞİKLİ KASA ALT RULMAN / Botton Roller
2 Adet / Pcs	SS AC-10		ÇEKME KOL / Pull Handle
2 Adet / Pcs	SS AC-11		SÜRME CAM İÇ KİLİT / Locking For Inside
2 Adet / Pcs	SS AC-13		METAL SÜRME CAM İÇ KİLİT / Locking For Inside
((FH - 162mm) * 4) + (FW-5mm) * 10	KF 67-550		FIRÇA FİTİL - 5.5mm / Brush Gasket
(FH - 162mm) * 2	KF 67-700		FIRÇA FİTİL - 7 mm / Brush Gasket

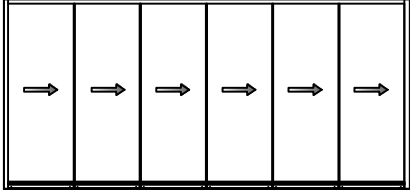
SEÇENEK OLARAK EXTRA KULLANILABİLİR - ADDITIONAL AVAILABLE AS OPTION



## KASA MONTAJI - 10 mm CAM İÇİN

### SAĞA SÜRÜLÜR KANAT

ASSEMBLY FOR THRESHOLD FRAME - FOR 10mm GLASS  
SLIDING TO THE RIGHT WAY



-MAX KANAT YÜKSEKLİĞİ İÇ MEKAN 3000mm, DIŞ MEKAN 2500mm  
MAX SASH HEIGHT IS 3000mm INSIDE, 2500mm OUTSIDE

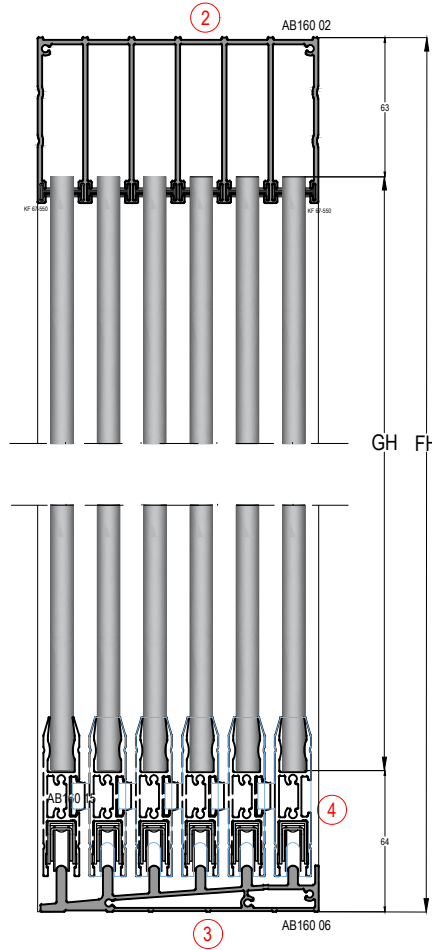
-MAX KANAT ENİ 1800mm (TOPLAM KANAT ALANI 4m2 YI GEÇMEMELİ, RULMAN TAŞIMA KAPASİTESİ ORTALAMA 80kg)  
MAX SASH WIDTH IS 1800 mm (TOTAL SASH AREA MUST BE SMALLER THAN THE 4m2, ROLLER CARY CAPACITY IS 80kg)

#### CAM KESİM ÖLÇÜLERİ / GLASS CUTTING SIZES

KOD / Code	TANIMI / Description	KESİM ÖLÇÜSÜ / Cutting Dimensions
GW	CAM GENİŞLİK / Sash Glass Width	(FW / 6) + 22 mm
GH	CAM YÜKSEKLİK / Sash Glass Height	FH - 127mm

RIGHT SLIDING

SAĞA SÜRÜLÜR KANATLAR



PROFİLLER / PROFILES					
NO / Number	ADET / Unit	KOD / Code	PROFİL ÇİZİMİ / Drawing	PROFİL TANIMI / Description	KESİM ÖLÇÜSÜ / Cutting Dimensions
1	2	AB160 10		YAN KASA PROFİLİ / Vertical Frame Profile	FH
2	1	AB160 02		ÜST KASA PROFİLİ / Top Frame Profile	FW - 5mm
3	1	AB160 06		ALT KASA PROFİLİ / Bottom Frame Profile	FW - 5mm
4	6	AB160 15		ALT KANAT PROFİLİ / Bottom Sash Profile	(FW / 6) + 22,5 mm
5	2	Z400-43		KANAT BİTİŞ PROFİLİ / Vertical Sash Profile	FH - 162mm
6	5	3465		KANAT YAN PROFİLİ / Sash Side Profile	FH - 162mm

#### AKSESUARLAR / ACCESSORIES

MİKTAR / Unit	KOD / Code	PROFİL ÇİZİMİ / Drawing	PROFİL TANIMI / Description
5 Adet / Pcs	AB160-CP_03		KENET KAPAK / Lock Cover
7 Adet / Pcs	AB160-CP_04		KENET KAPAK / Lock Cover
5 Adet / Pcs	EM13-06013		KENET PİMİ / Lock Pim
12 Adet / Pcs	SS AC-07		EŞİKLİ KASA ALT RULMAN / Bottom Roller
2 Adet / Pcs	SS AC-10		ÇEKME KOL / Pull Handle
2 Adet / Pcs	SS AC-11		SÜRME CAM İÇ KİLİT / Locking For Inside
2 Adet / Pcs	SS AC-13		METAL SÜRME CAM İÇ KİLİT / Locking For Inside
((FH - 162mm) * 5) + (FW-5mm) * 12	KF 67-550		FİRÇA FİTİL - 5.5mm / Brush Gasket
(FH - 162mm) * 2	KF 67-700		FİRÇA FİTİL - 7 mm / Brush Gasket

SEÇENEK OLARAK EXTRA KULLANILABİLİR - ADDITIONAL AVAILABLE AS OPTION

