

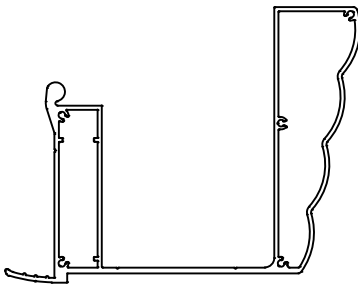

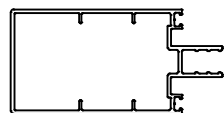
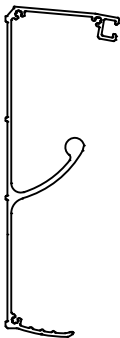
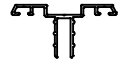
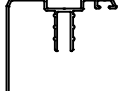
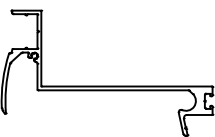



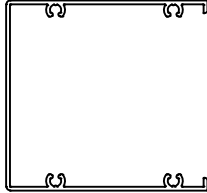
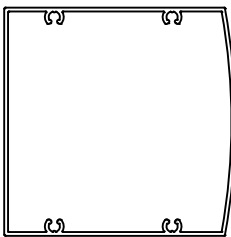
PR140

PERGOLA SISTEMI
PERGOLA SYSTEM




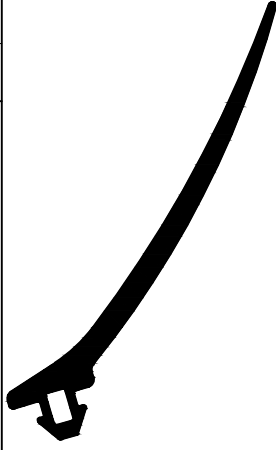
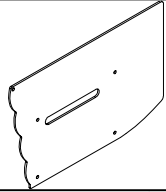
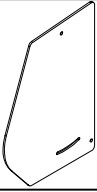
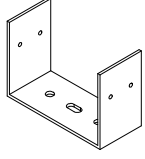
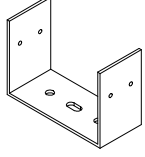


PROFİL VE AKSESUAR LİSTELERİ
PROFILE & ACCESSORIES LISTS

PROFİL LİSTESİ - PROFILES LIST

PR140-01	Jx cm ⁴	Jy cm ⁴		PR140-06			
	72,66	30,20				DİKME KAPAK PROFİLİ COVER PROFILE	AĞIRLIK / Weight
OLUK PROFİLİ BORDER PROFILE	AĞIRLIK / Weight			0,724 kg/mt			
	4,868 kg/mt			PR140-07	Jx cm ⁴	Jy cm ⁴	
		8,73			3,06		
		AĞIRLIK / Weight		1,863 kg/mt			
		TAŞIYICI PROFİLİ VECTOR PROFILE					
PR140-02					PR140-08		
DUVAR PROFİLİ WALL PROFILE	AĞIRLIK / Weight				KAPAK PROFİLİ COVER PROFILE	AĞIRLIK / Weight	
	2,174 kg/mt					0,456 kg/mt	
			PR140-09	YAN KAPAK PROFİLİ COVER PROFILE	AĞIRLIK / Weight		
					0,583 kg/mt		
PR140-03				PR140-10			
DUVAR PROFİLİ WALL PROFILE	AĞIRLIK / Weight			KAPAMA PROFİLİ COVER PROFILE	AĞIRLIK / Weight		
	1,469 kg/mt		0,296 kg/mt				
PR140-04				PR140-11			
DUVAR KAPAK PROFİLİ WALL COVER PROFILE	AĞIRLIK / Weight			KAPAMA PROFİLİ COVER PROFILE	AĞIRLIK / Weight		
	0,119 kg/mt		0,227 kg/mt				
PR140-05	Jx cm ⁴	Jy cm ⁴					
	9,98	14,58					
DİKME PROFİLİ VERTICAL PROFILE	AĞIRLIK / Weight						
	2,055 kg/mt						
PR140-12							
DİKME PROFİLİ VERTICAL PROFILE	Jx cm ⁴	Jy cm ⁴					
	22,61	25,22					
AĞIRLIK / Weight							
2,854 kg/mt							

AKSESUAR LİSTESİ - ACCESSORIES LISTS

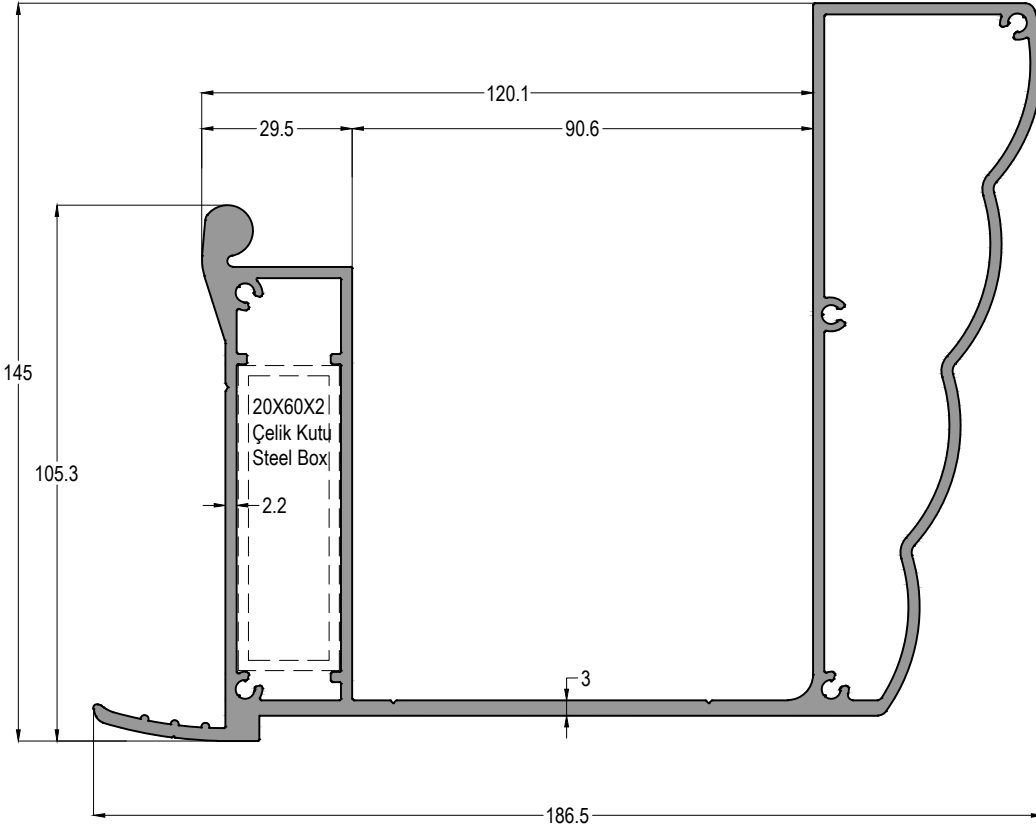
CE4-01				
DIŞ CAM FİTİLİ- 3 mm (BASKI KAPAK PROFİLİ) <i>OUTER GLAZING GASKET</i>	KOLİ MİKTARI/Package 210 mt / 15 kg			
CE1-06				
İÇ CAM FİTİLİ- 3,5 mm <i>INNER GLAZING GASKET</i>	KOLİ MİKTARI/Package 250 mt / 15 kg			
CE1-07				
İÇ CAM FİTİLİ - 12,7 mm <i>INNER GLAZING GASKET</i>	KOLİ MİKTARI/Package 107 mt / 15 kg			
EP140-01				
DUVAR BAĞLANTI BİTİŞ YALITIM FİTİLİ <i>GASKET FOR WALL SUPPORT SEALING</i>	KOLİ MİKTARI/Package 40 mt / 10 kg			
PR140-KP 01				
ALT OLUK YAN KAPAK <i>BOTTOM GROOVE COVER</i>	KOLİ MİKTARI/Package Adet / Pcs			
PR140-KP 02				
ÜST DUVAR YAN KAPAK <i>TOP WALL COVER</i>	KOLİ MİKTARI/Package Adet / Pcs			
PR140-M01				
DİKME ANKRAJ <i>MULLION FIX PART- PR140-12</i>	KOLİ MİKTARI/Package Adet / Pcs			
PR140-M02				
DİKME ANKRAJ <i>MULLION FIX PART- PR140-05</i>	KOLİ MİKTARI/Package Adet / Pcs			

PROFİL DETAYLARI
PROFILE DETAILS

PR140-PERGOLA SİSTEMİ

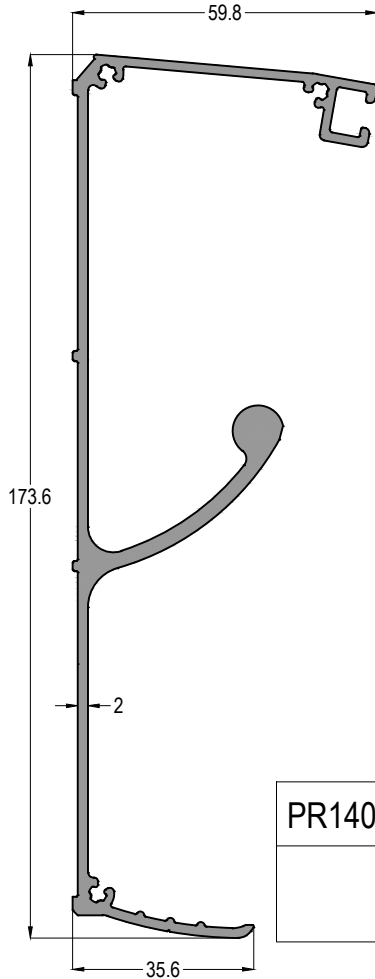
PERGOLA SYSTEM

ASISTAL



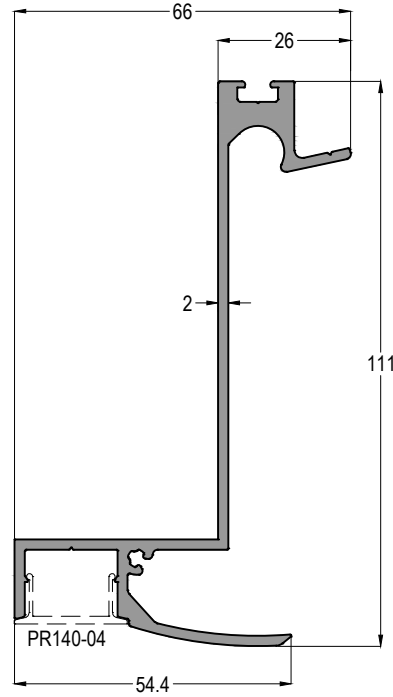
PR140-01

AĞIRLIK / Weight
4,868 kg/mt



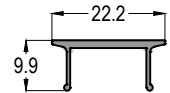
PR140-02

AĞIRLIK / Weight
2,174 kg/mt



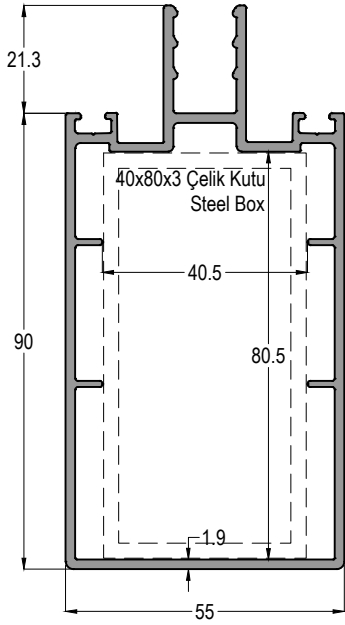
PR140-03

AĞIRLIK / Weight
1,469 kg/mt



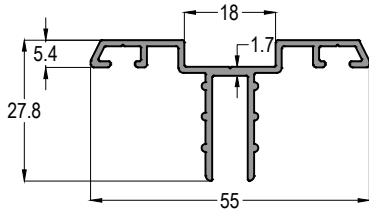
PR140-04

AĞIRLIK / Weight
0,119 kg/mt

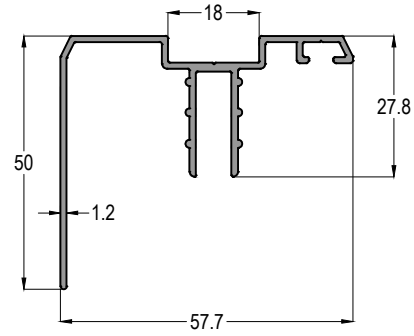


PR140-07	
	AĞIRLIK / Weight
	1,863 kg/mt

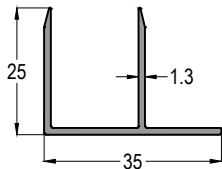
PR140-08	
	AĞIRLIK / Weight
	0,456 kg/mt



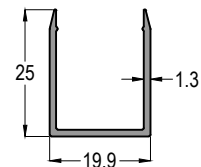
PR140-09	
	AĞIRLIK / Weight
	0,583 kg/mt



PR140-10	
	AĞIRLIK / Weight
	0,296 kg/mt



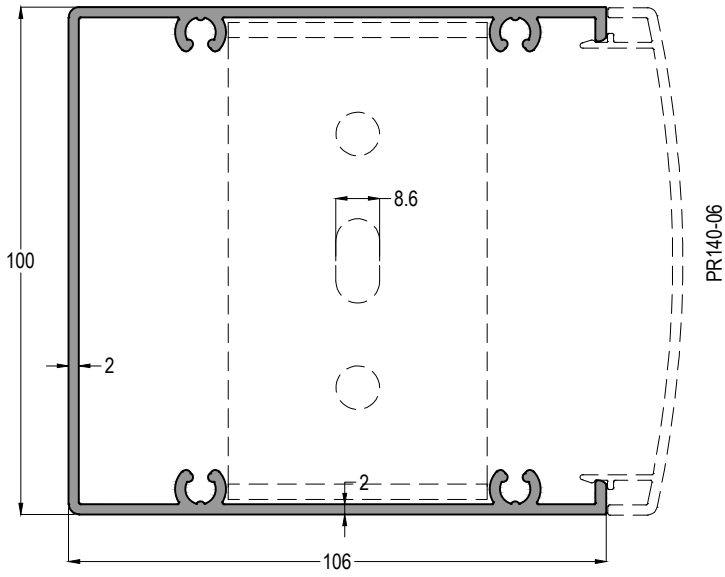
PR140-11	
	AĞIRLIK / Weight
	0,227 kg/mt



PR140-PERGOLA SİSTEMİ

PERGOLA SYSTEM

ASISTAL



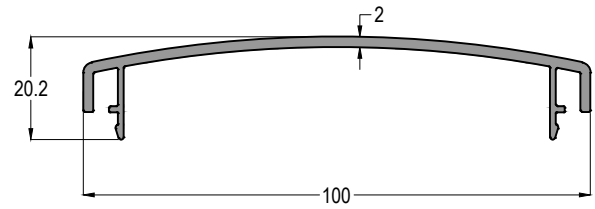
PR140-05



PR140-M02

AĞIRLIK / Weight

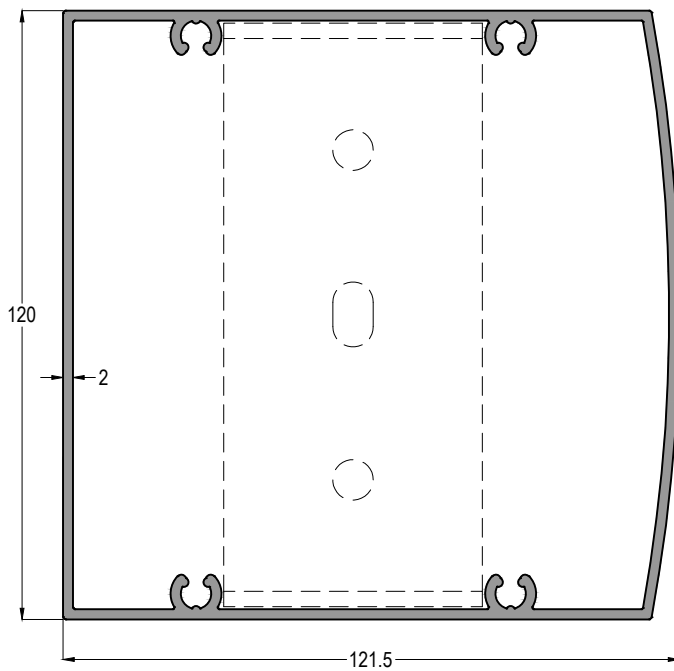
2,055 kg/mt



PR140-06

AĞIRLIK / Weight

0,724 kg/mt



PR140-12



PR140-M01

AĞIRLIK / Weight

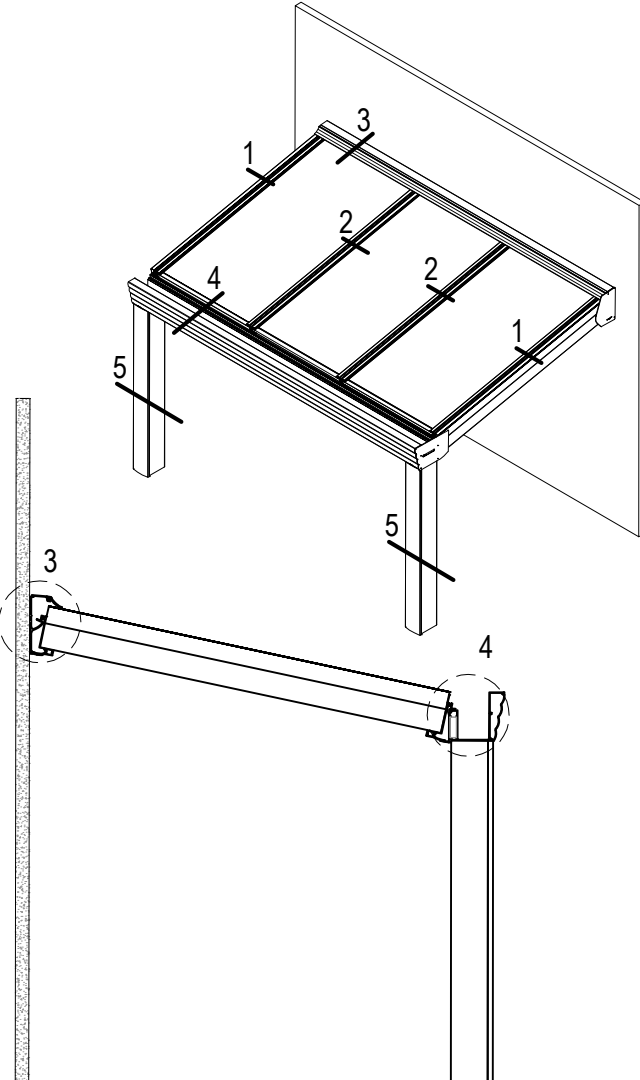
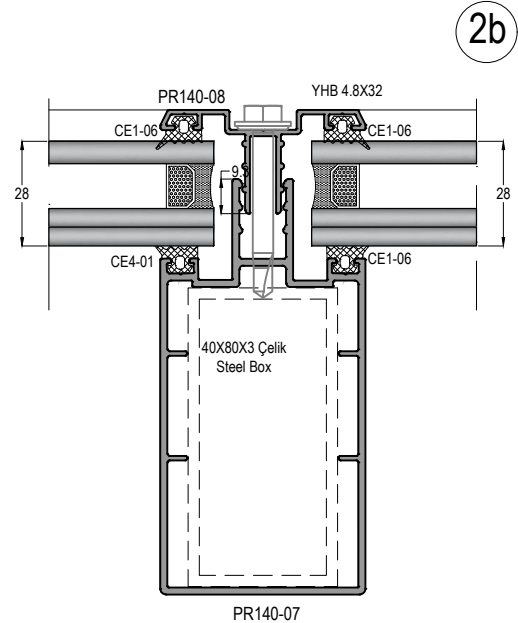
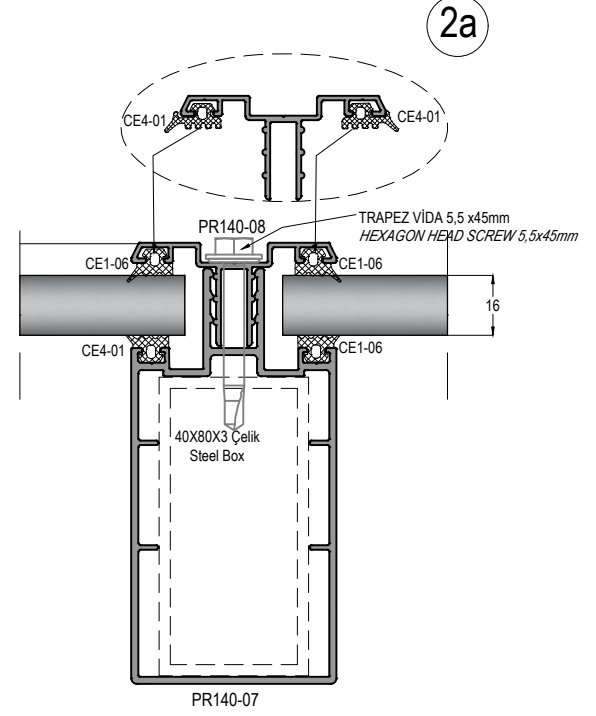
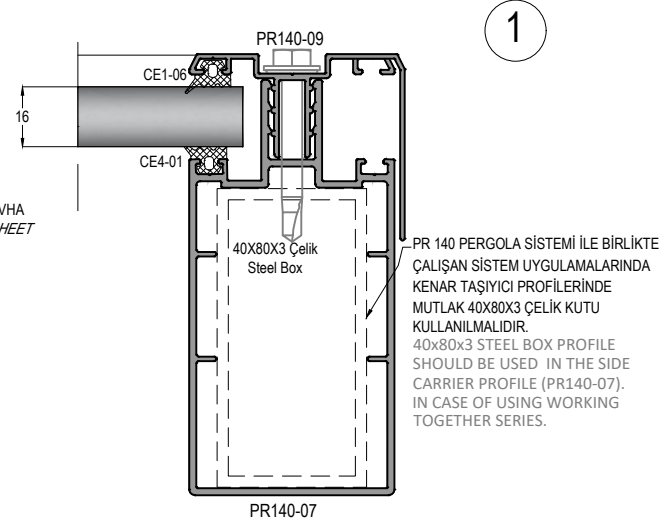
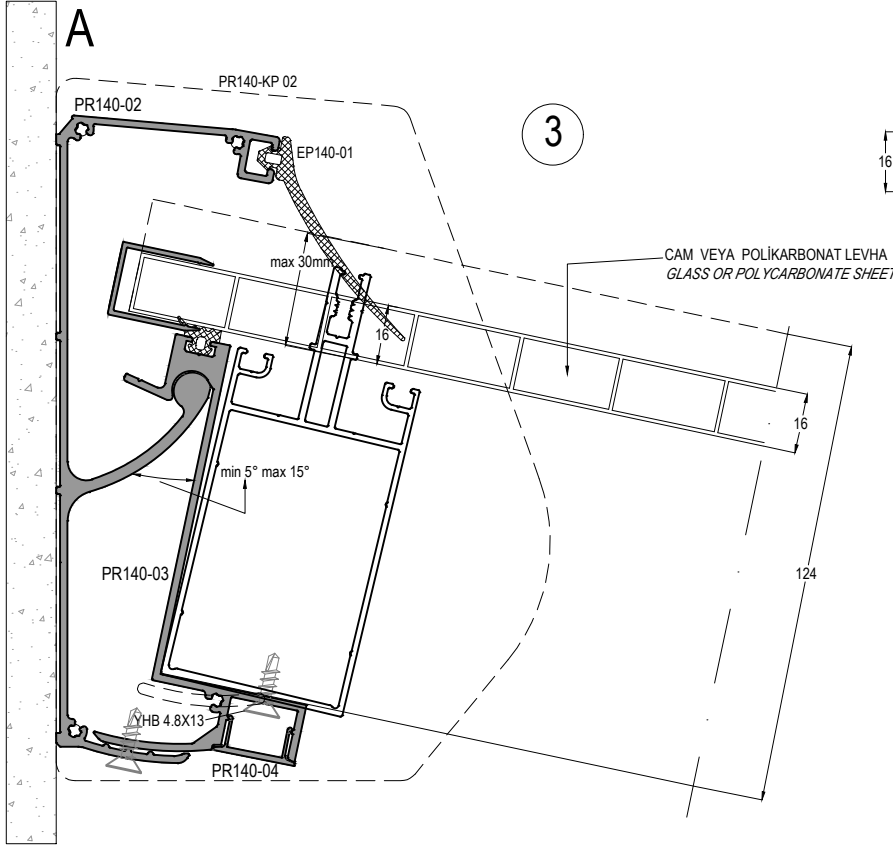
2,854 kg/mt

SİSTEM DETAYLARI
SİSTEM DETAILS

PR140-PERGOLA SİSTEMİ

PERGOLA SYSTEM

ASISTAL



ö: 1/2

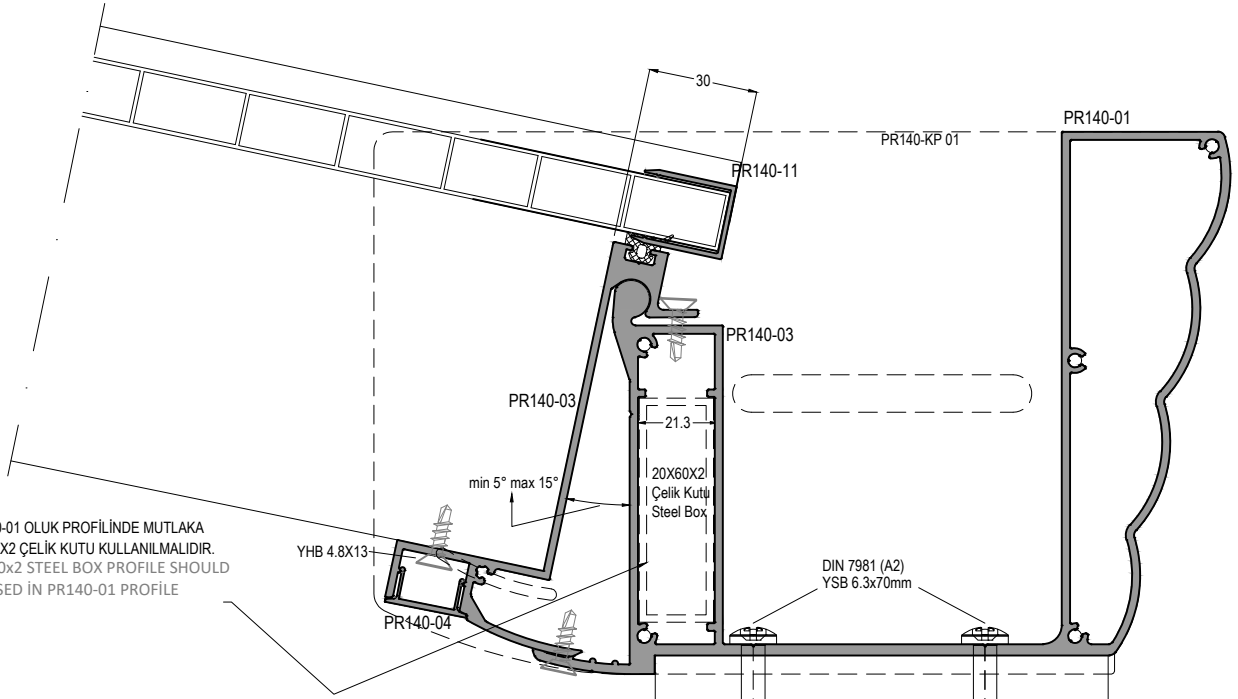
PR140-PERGOLA SİSTEMİ

PERGOLA SYSTEM

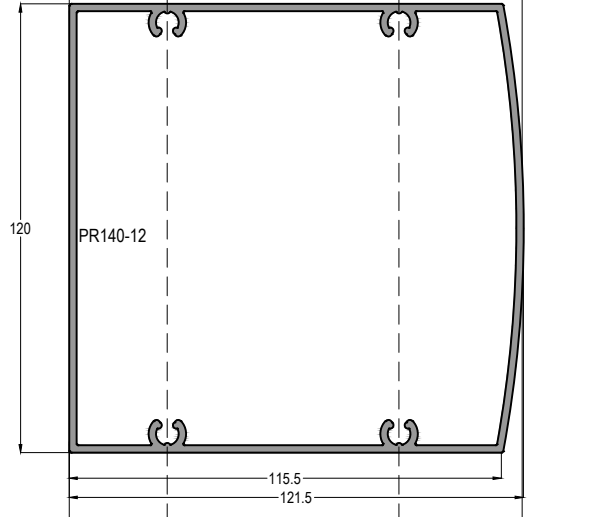
ASISTAL

4

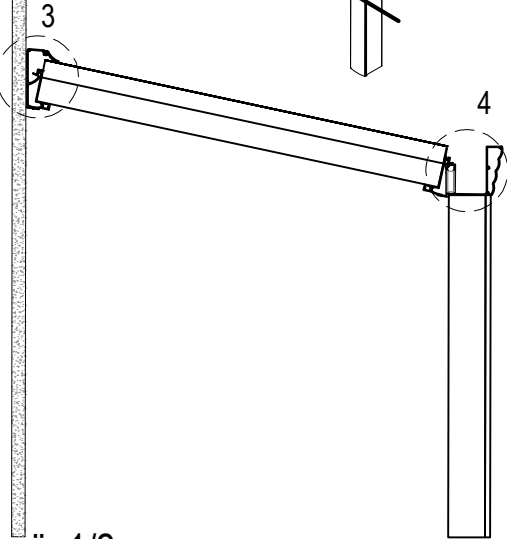
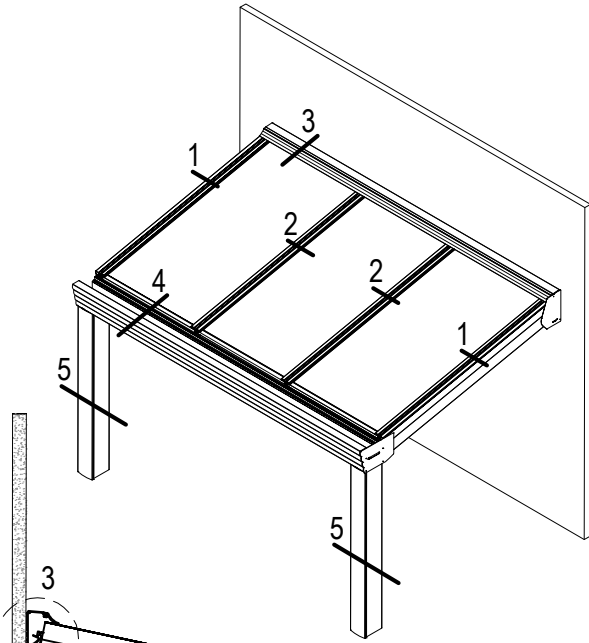
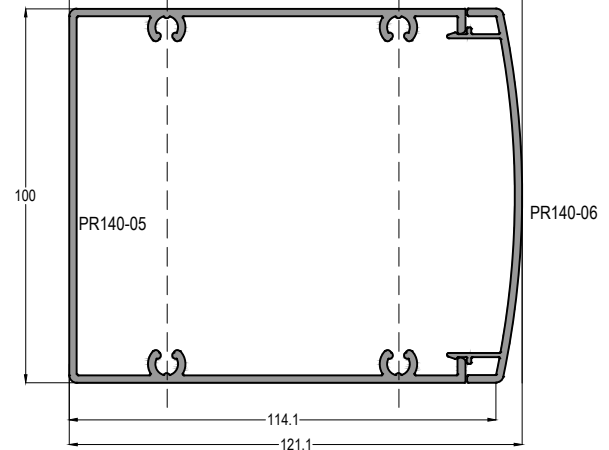
PR140-01 OLUK PROFİLİNDE MUTLAKA
20X60X2 ÇELİK KUTU KULLANILMALIDIR.
20x60x2 STEEL BOX PROFILE SHOULD
BE USED IN PR140-01 PROFILE



5a



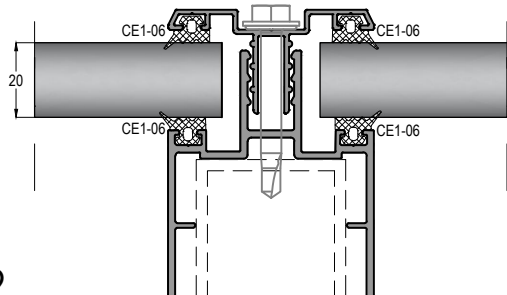
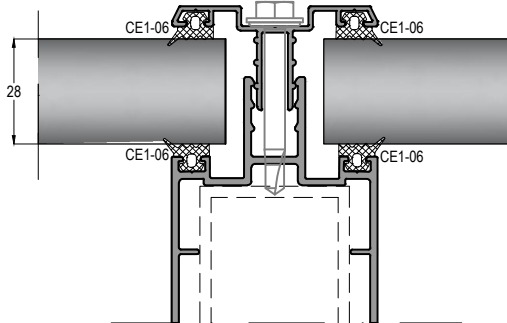
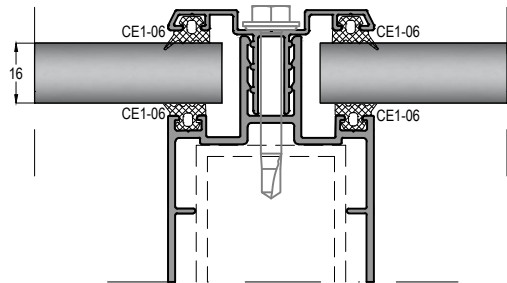
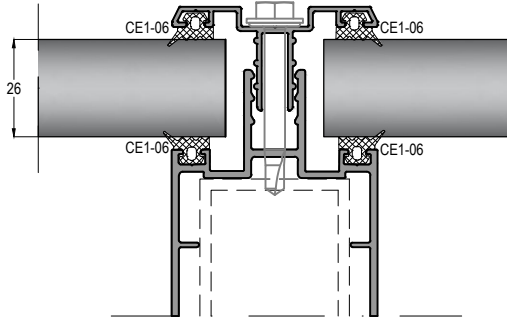
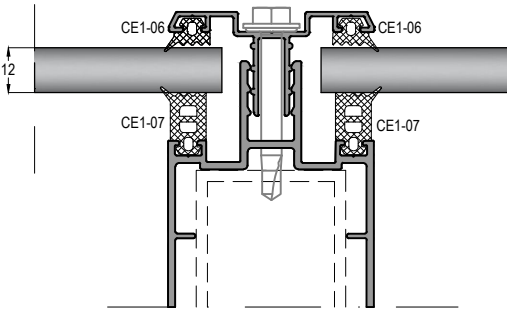
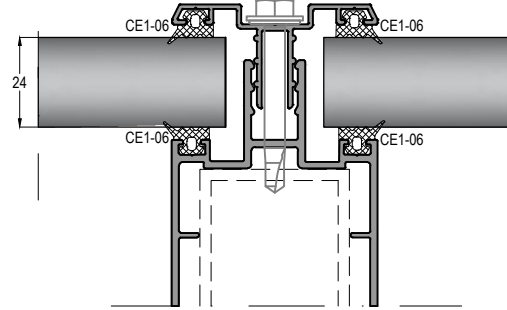
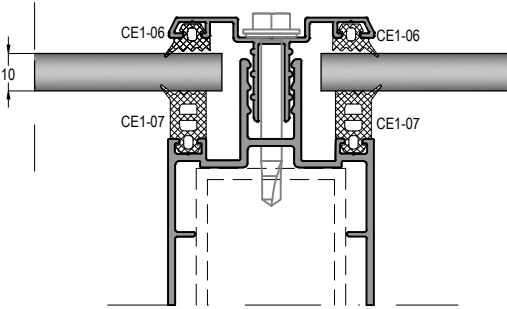
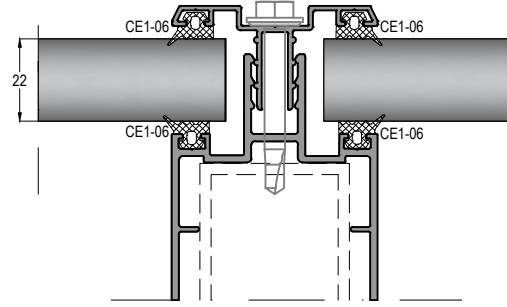
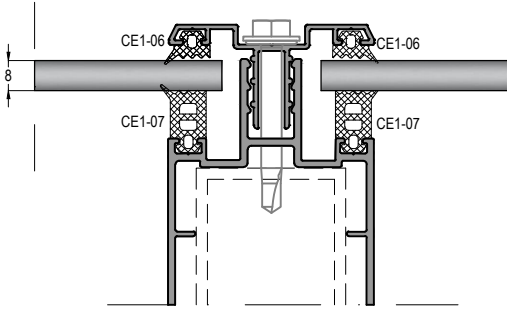
5b



ö: 1/2



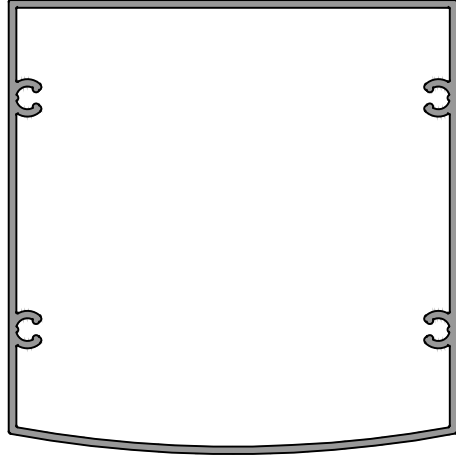
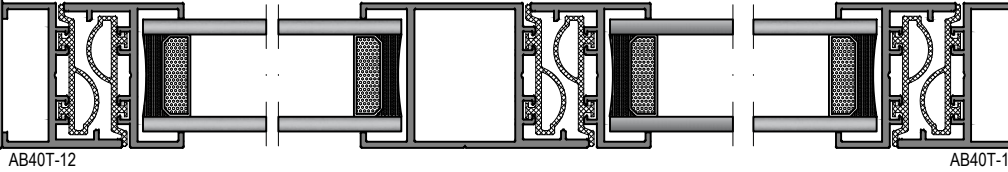
CAM BOŞLUKLARI
GLASS SPACE



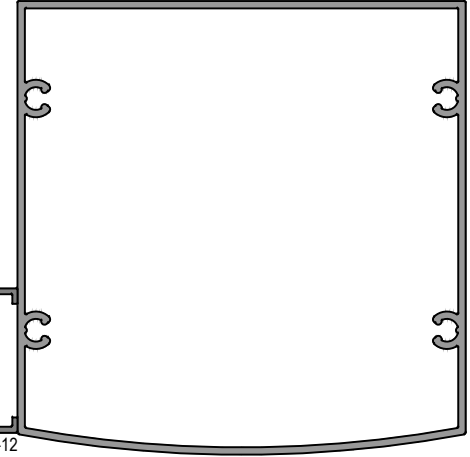
BİRLİKTE ÇALIŞAN SERİLER

Working Together Series

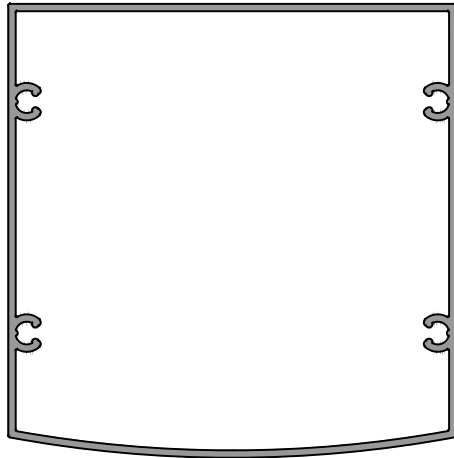
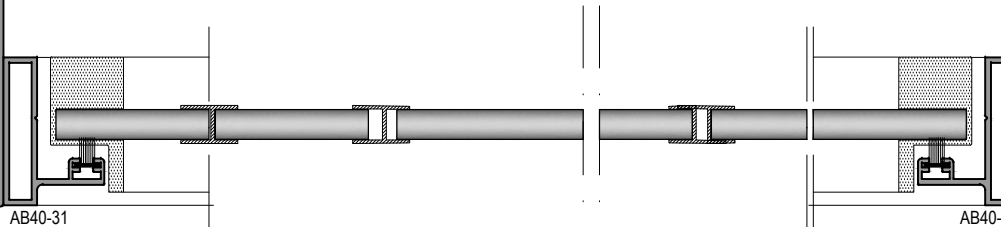
PR140-12

**AB40T-ISI YALITIMLI CAM BALKON SİSTEMİ**
Glass Balcony System With Thermal Glass

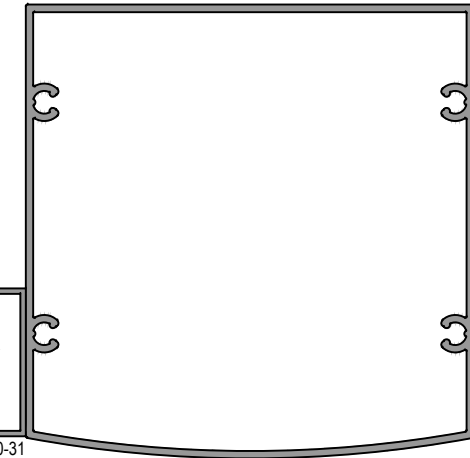
PR140-12



PR140-12

**AB40 - CAM BALKON SİSTEMİ**
Glass Balcony System

PR140-12



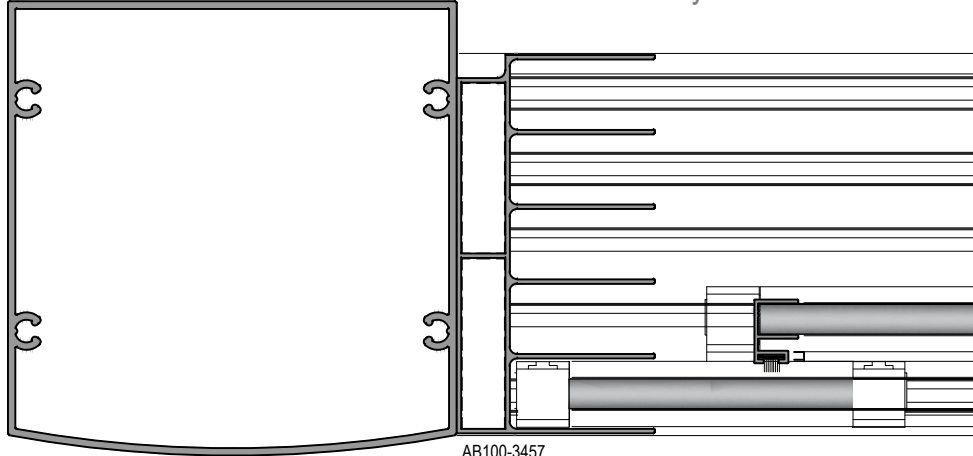
BİRLİKTE ÇALIŞAN SERİLER

Working Together Series

AB100 - SÜRME CAM BALKON SİSTEMİ

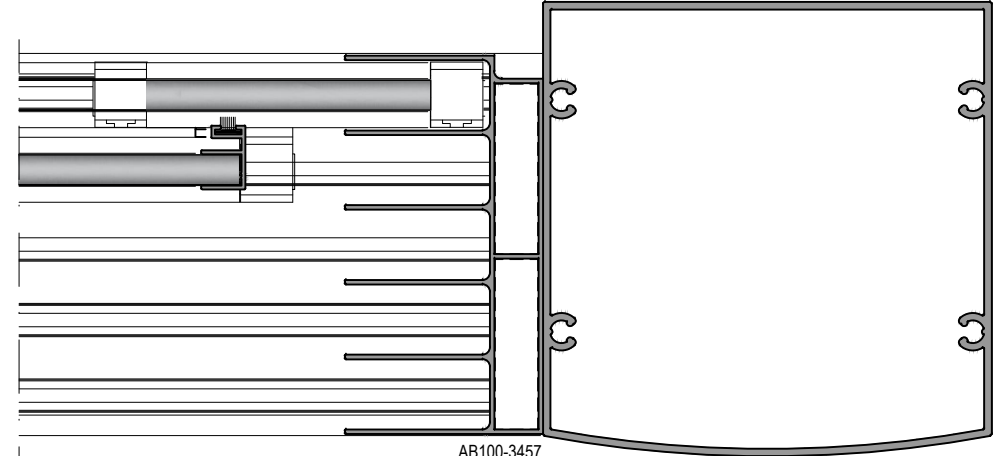
Glass Slide System

PR140-12



AB100-3457

PR140-12

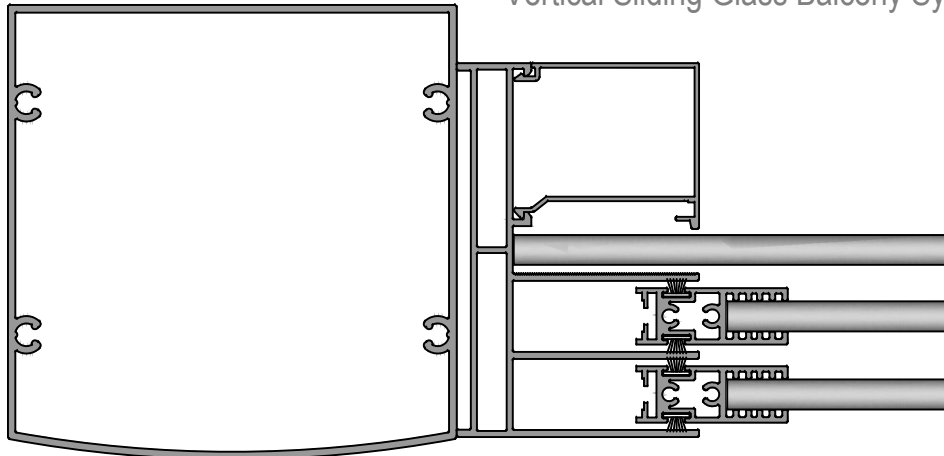


AB100-3457

G100 - GİYOTİN SÜRME CAM BALKON SİSTEMİ

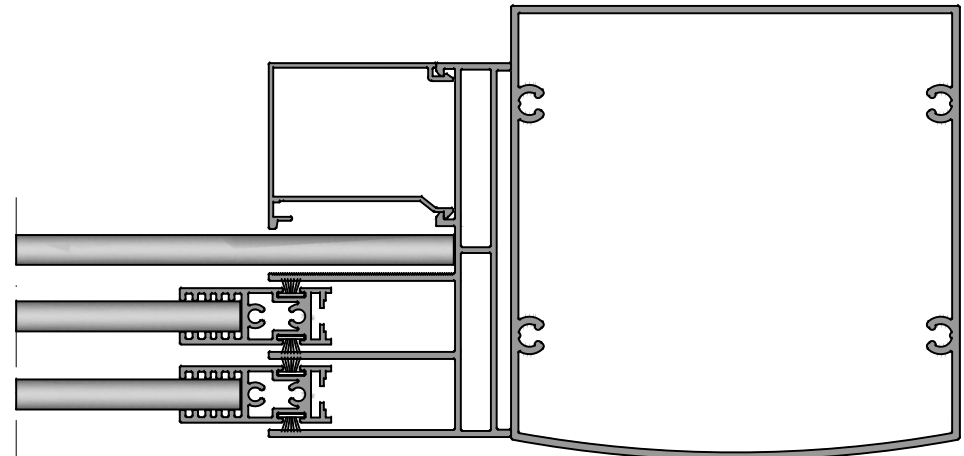
Vertical Sliding Glass Balcony System

PR140-12



G100 02

PR140-12



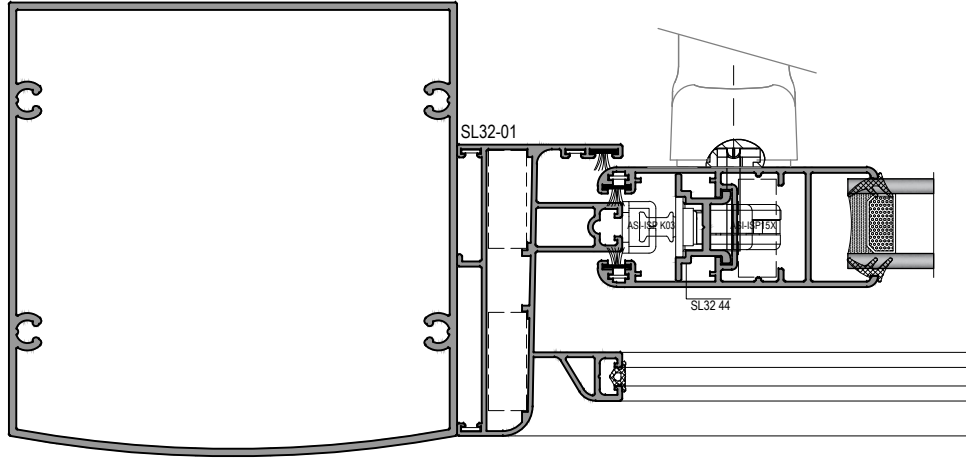
G100 02

BİRLİKTE ÇALIŞAN SERİLER

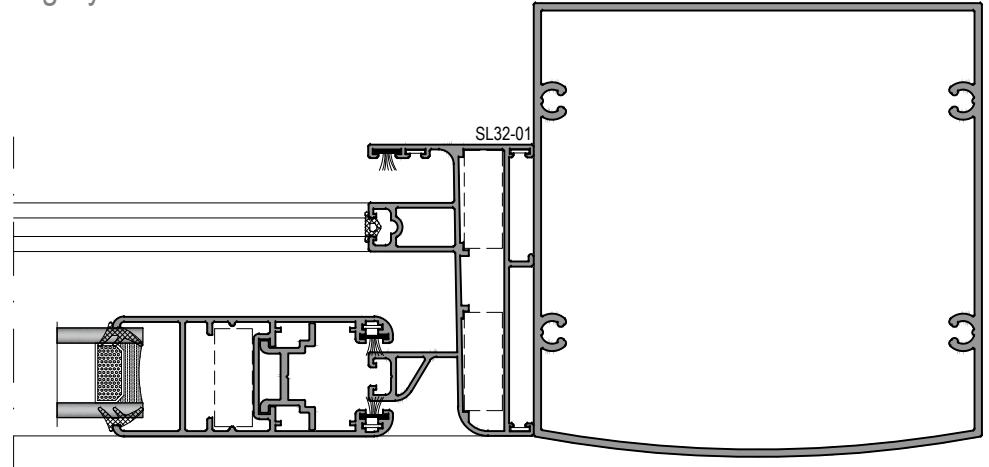
Working Together Series

SL32 - YALITIMSIZ SÜRME SİSTEM
Uninsulated Sliding System

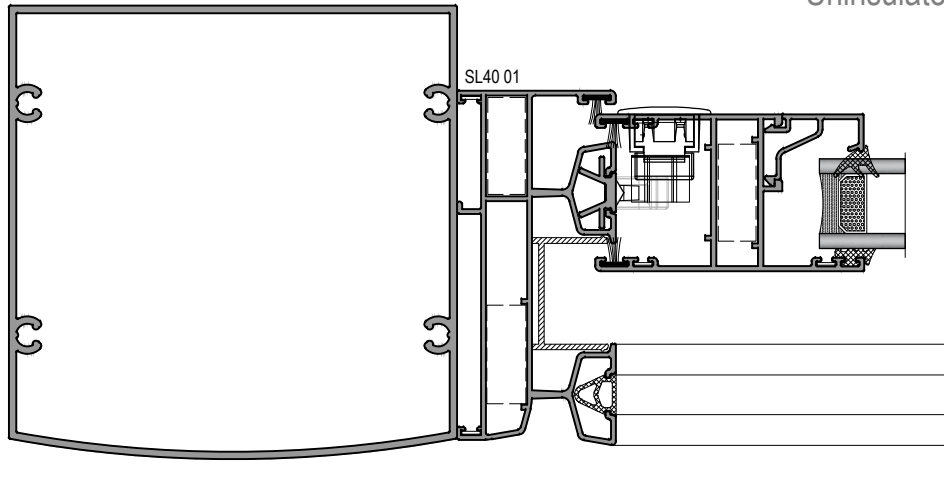
PR140-12



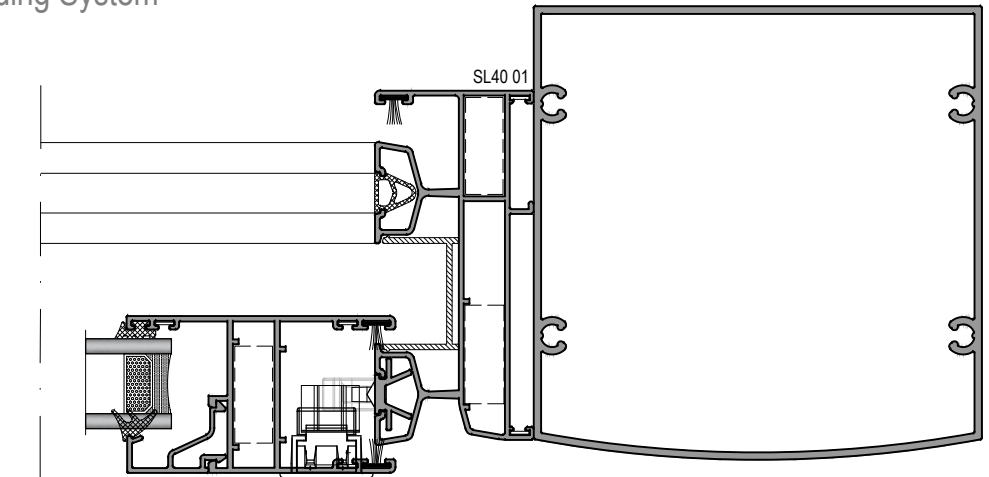
PR140-12

**SL40 - YALITIMSIZ SÜRME SİSTEM**
Uninsulated Sliding System

PR140-12



PR140-12

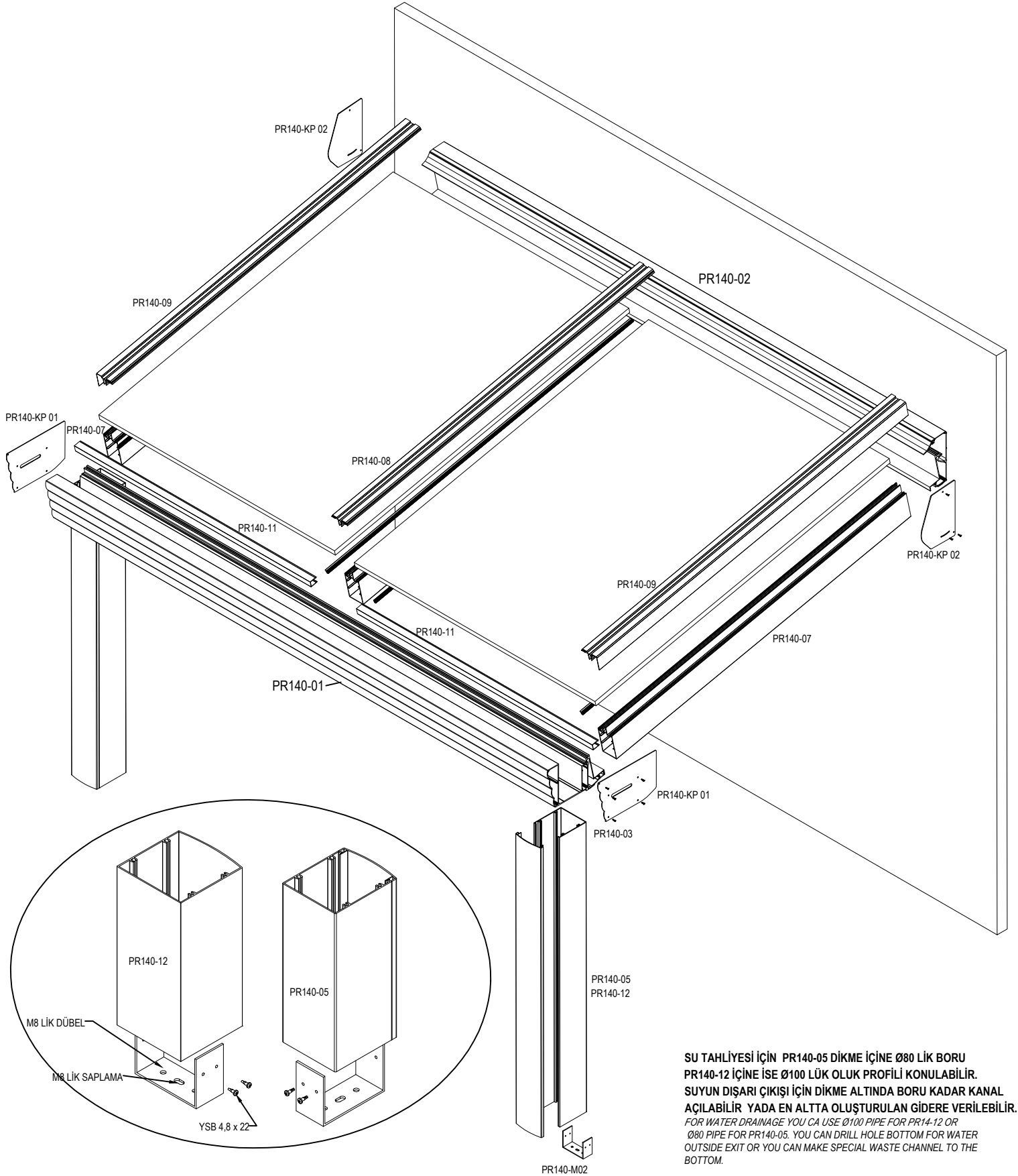


MONTAJ DETAYLARI
ASSEMBLY DETAILS

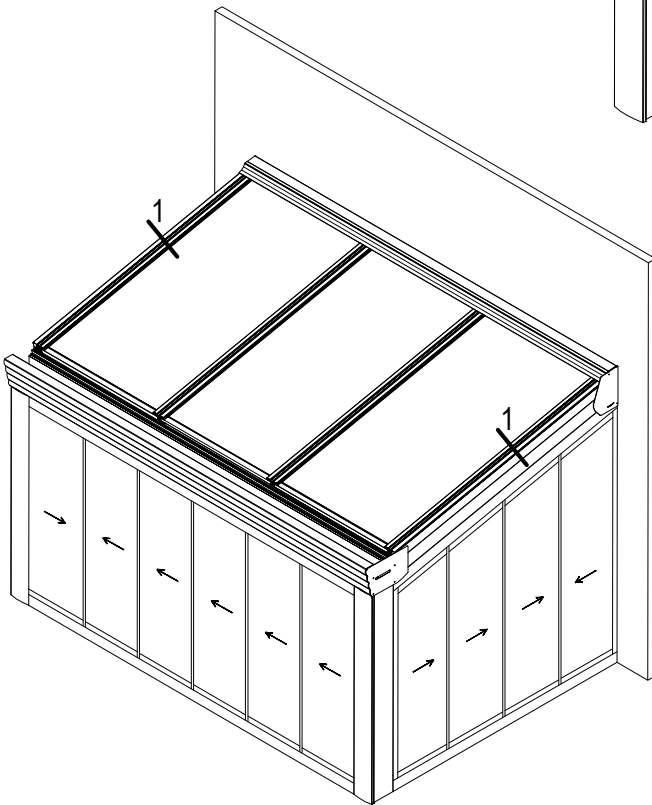
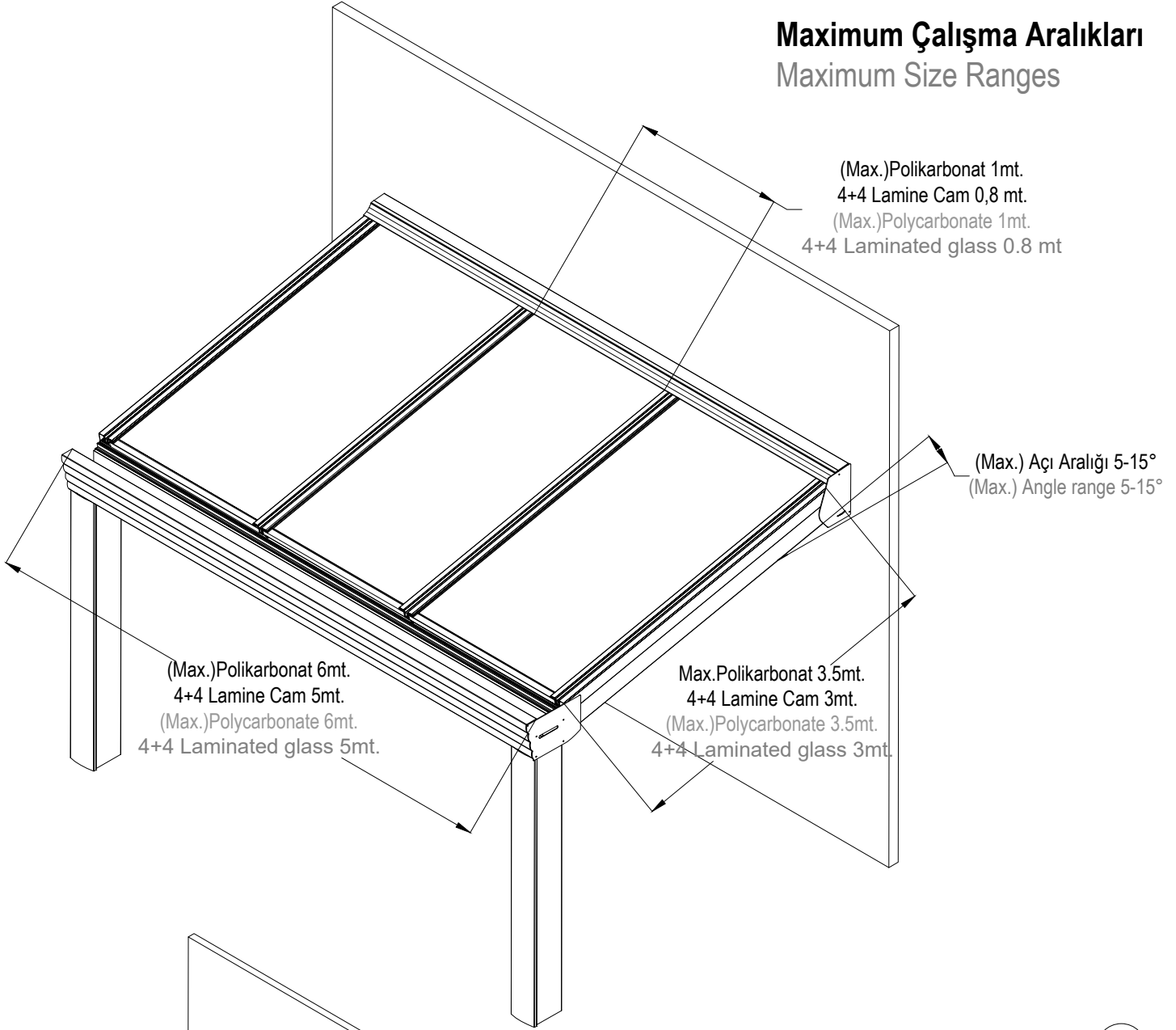
PR140-PERGOLA SİSTEMİ

PERGOLA SYSTEM

ASISTAL



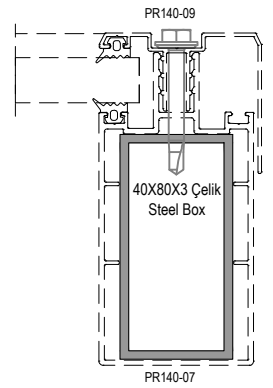
Maximum Çalışma Aralıkları Maximum Size Ranges



**PR 140 PERGOLA SİSTEMİ İLE BİRLİKTE
ÇALIŞAN SİSTEM UYGULAMALARINDA KENAR
TAŞIYICI PROFİLERİNDE MUTLAK 40X80X3 ÇELİK KUTU
KULLANILMALIDIR.**

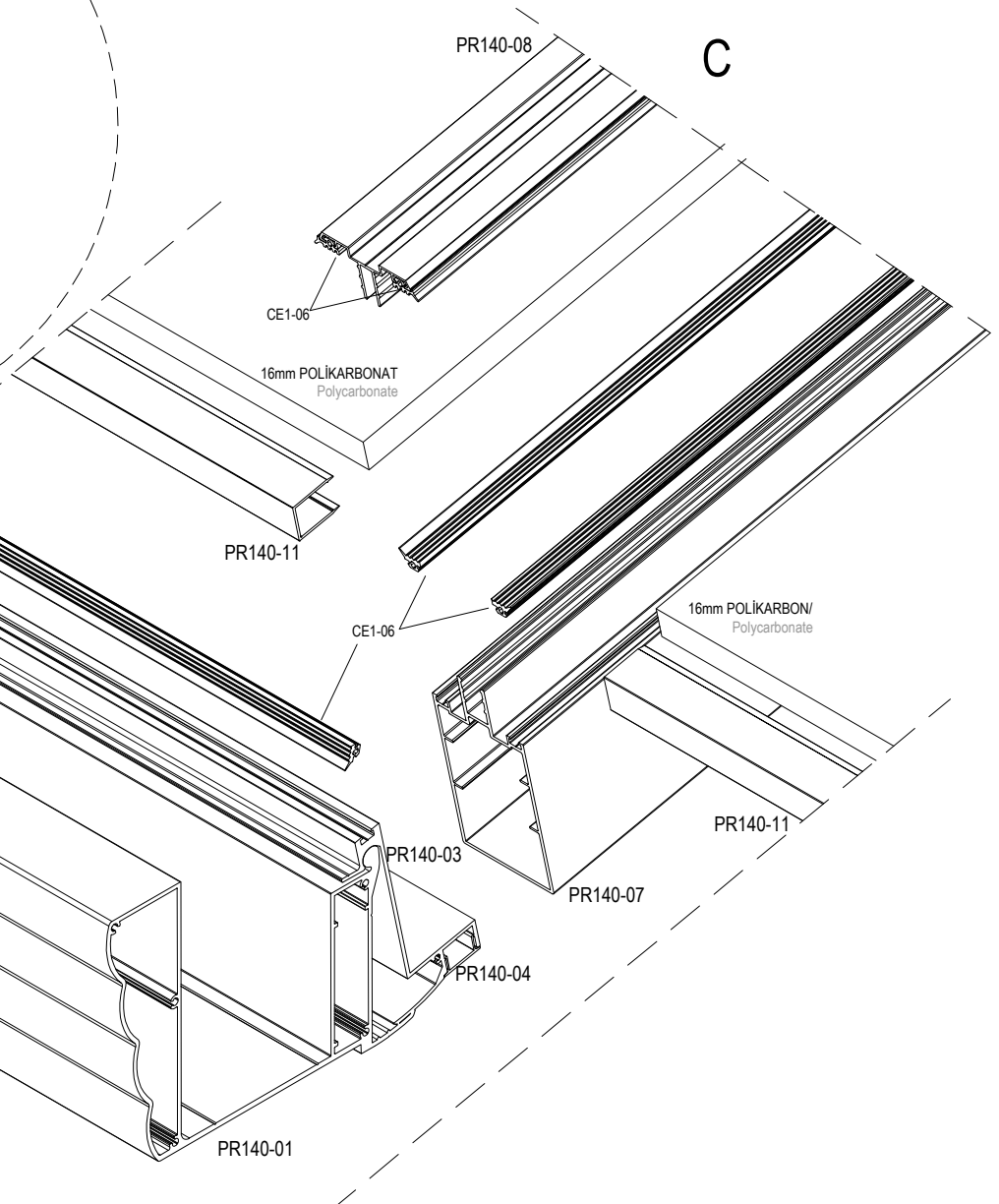
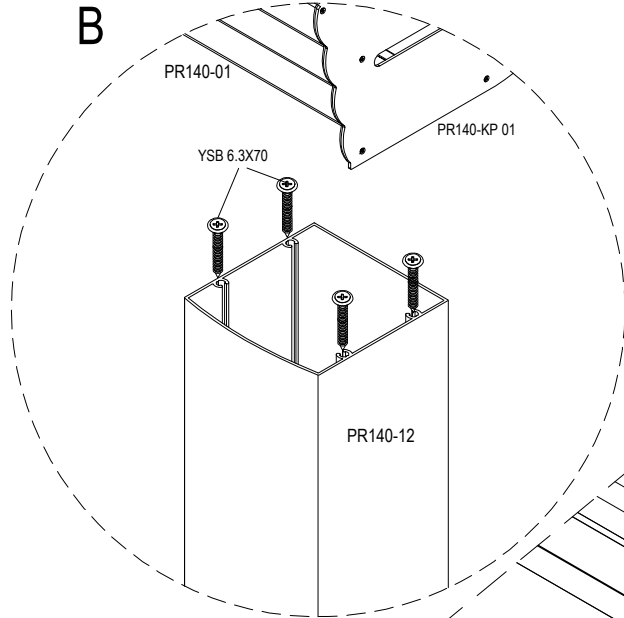
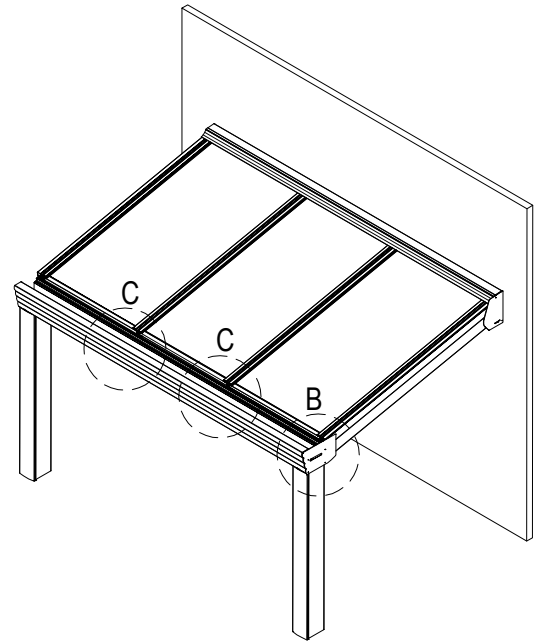
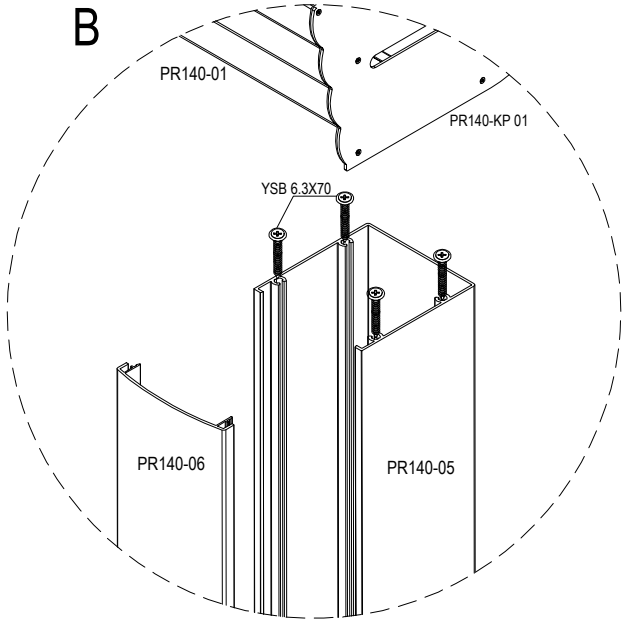
*40x80x3 STEEL BOX PROFILE
SHOULD BE USED IN THE SIDE
CARRIER PROFILE (PR140-07).
IN CASE OF USING WORKING
TOGETHER SERIES.*

1



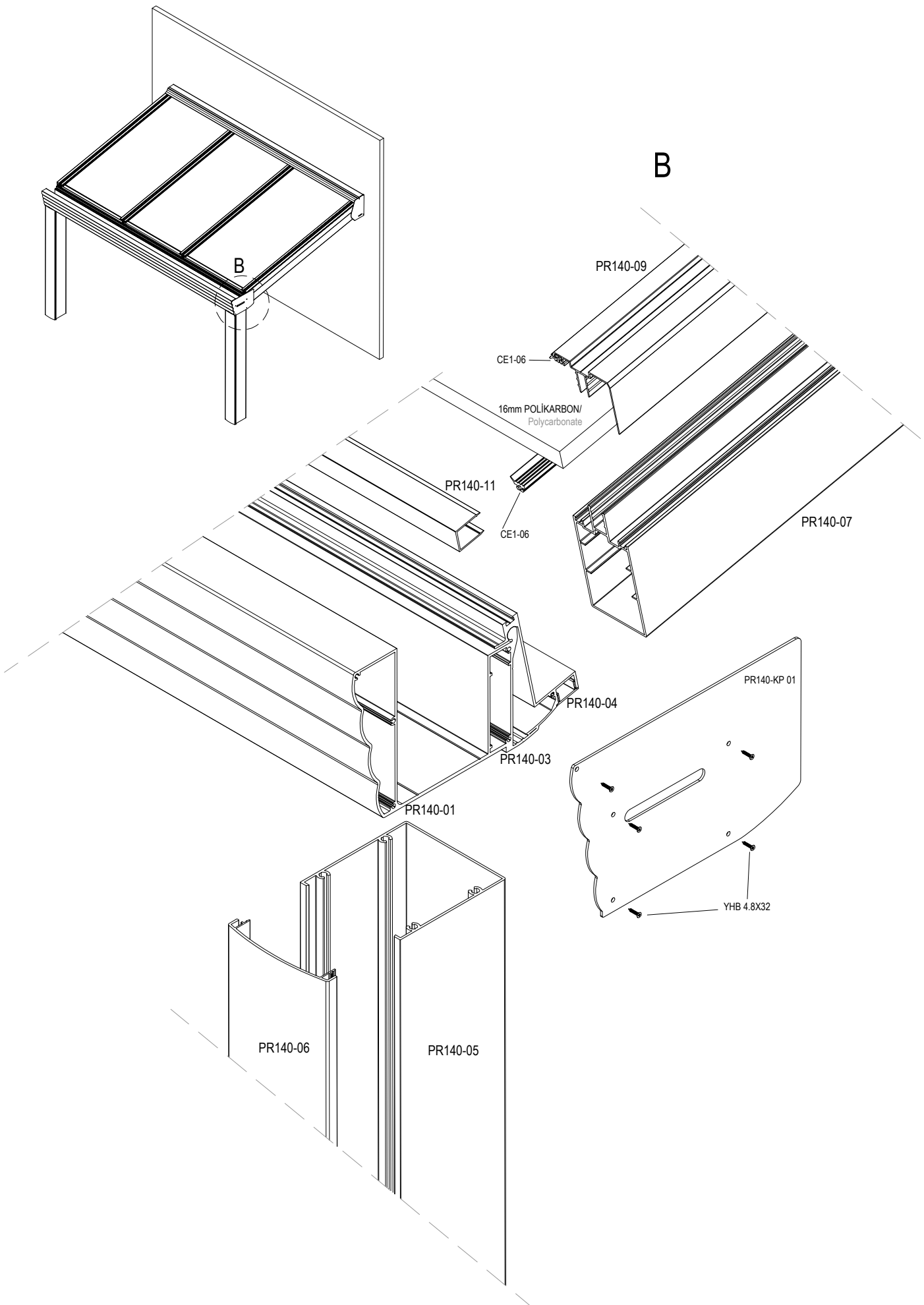
PR140-PERGOLA SİSTEMİ

PERGOLA SYSTEM

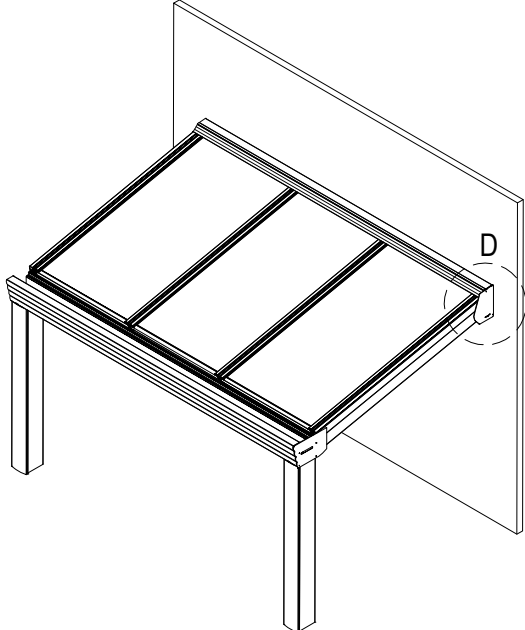


PR140-PERGOLA SISTEMI

PERGOLA SYSTEM



PR140-PERGOLA SİSTEMİ
PERGOLA SYSTEM



D

