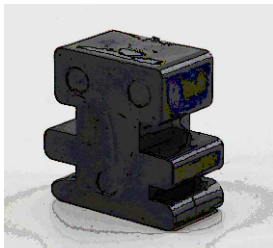


AB40

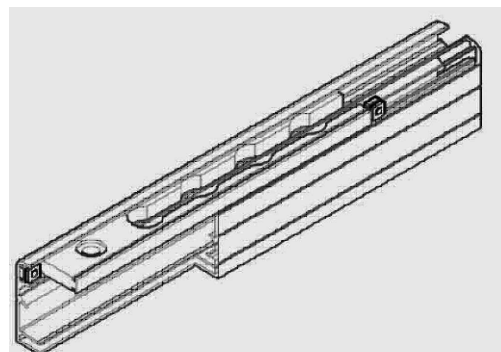
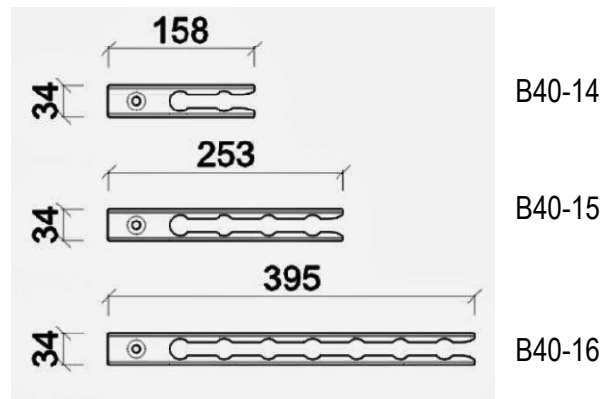
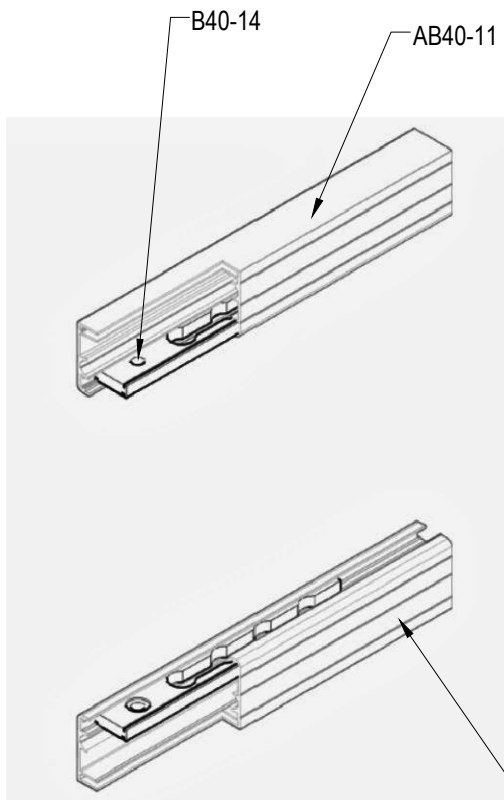
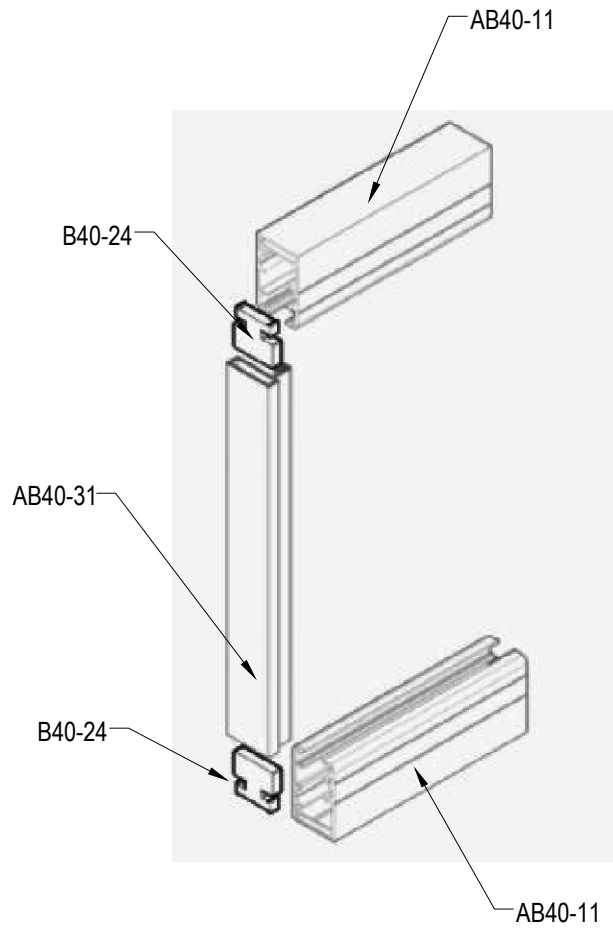
CAM BALKON SISTEMI
GLASS BALCONY SYSTEM

ASISTAL

MONTAJ DETAYLARI
ASSEMBLY DETAILS

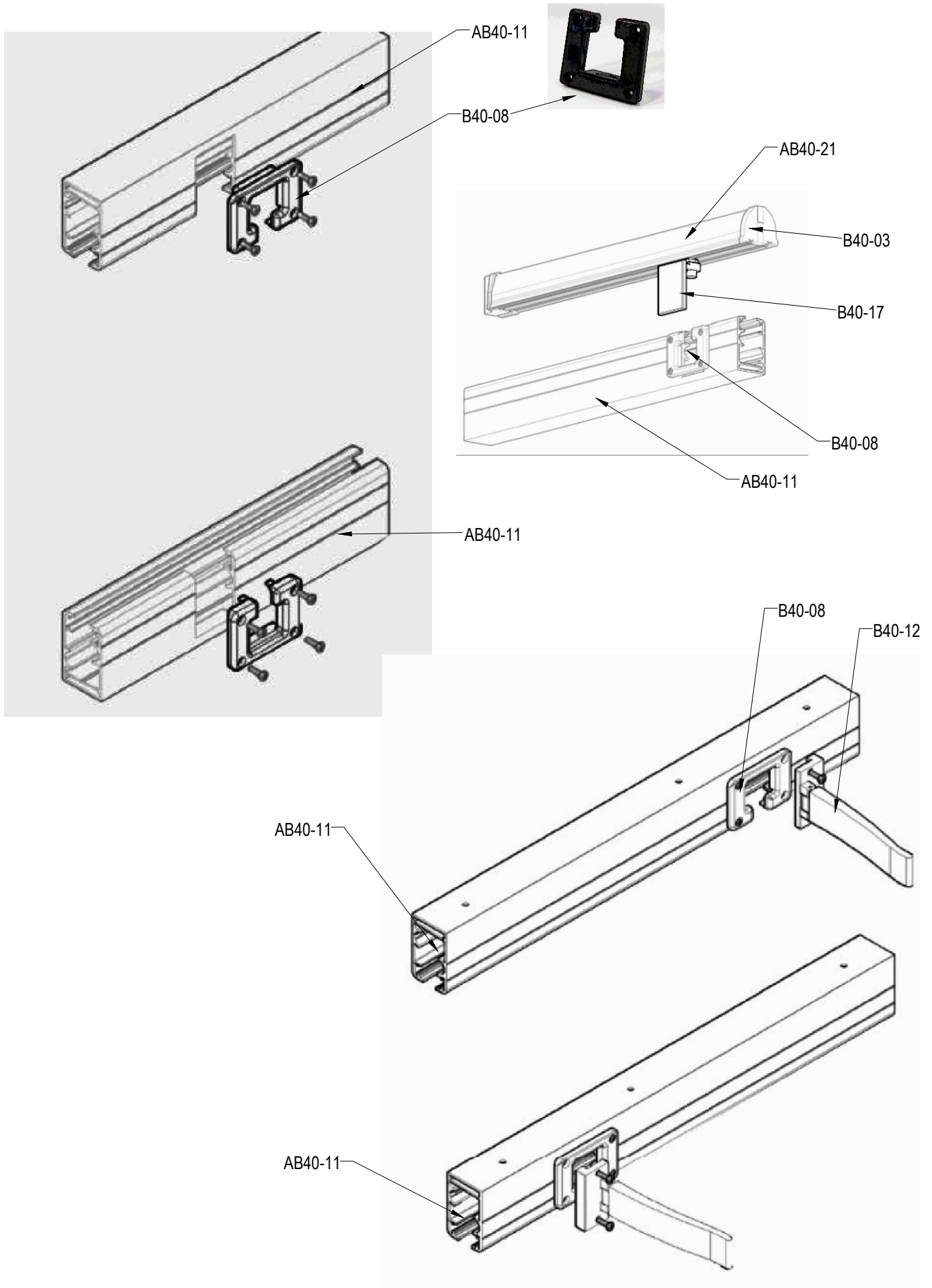


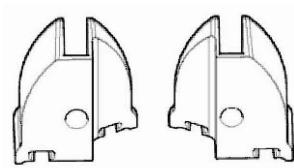
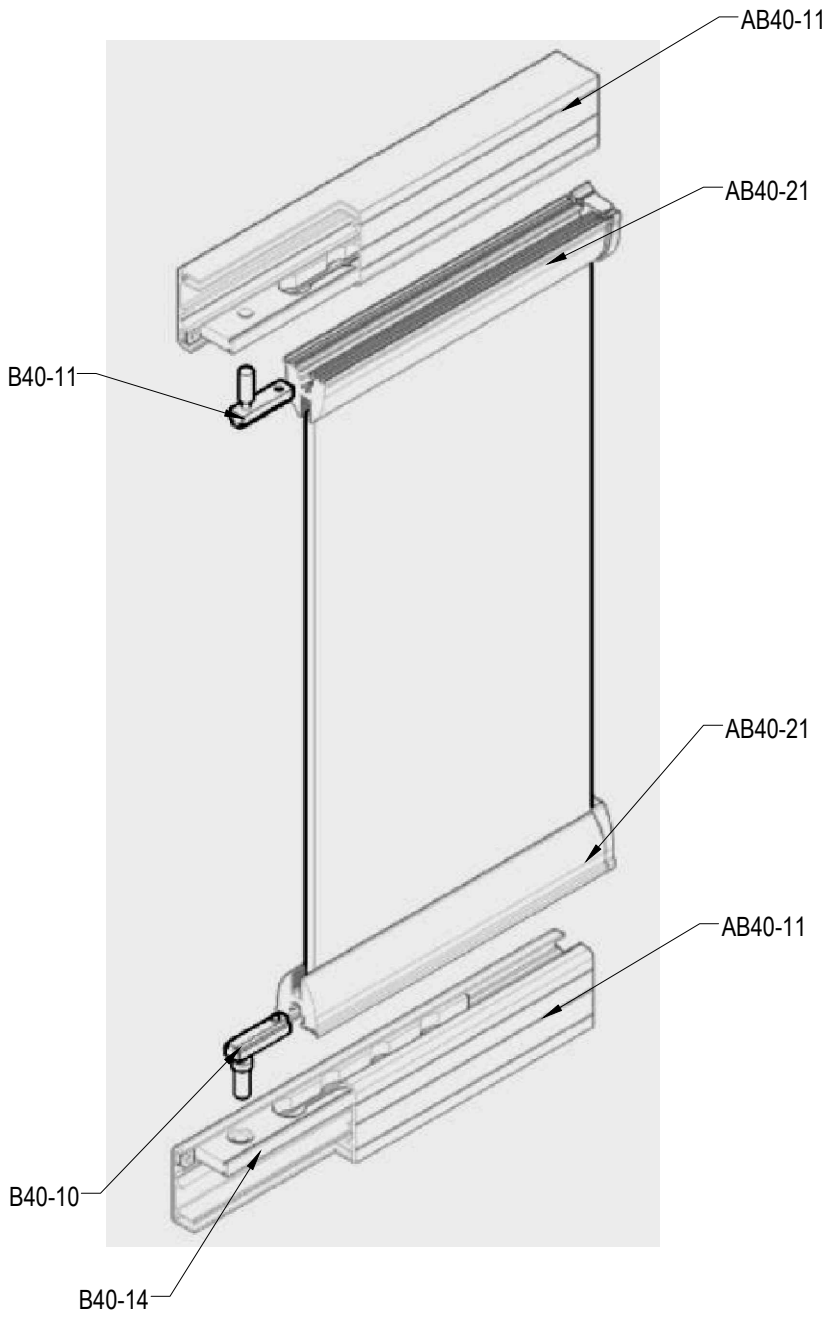
B40-24



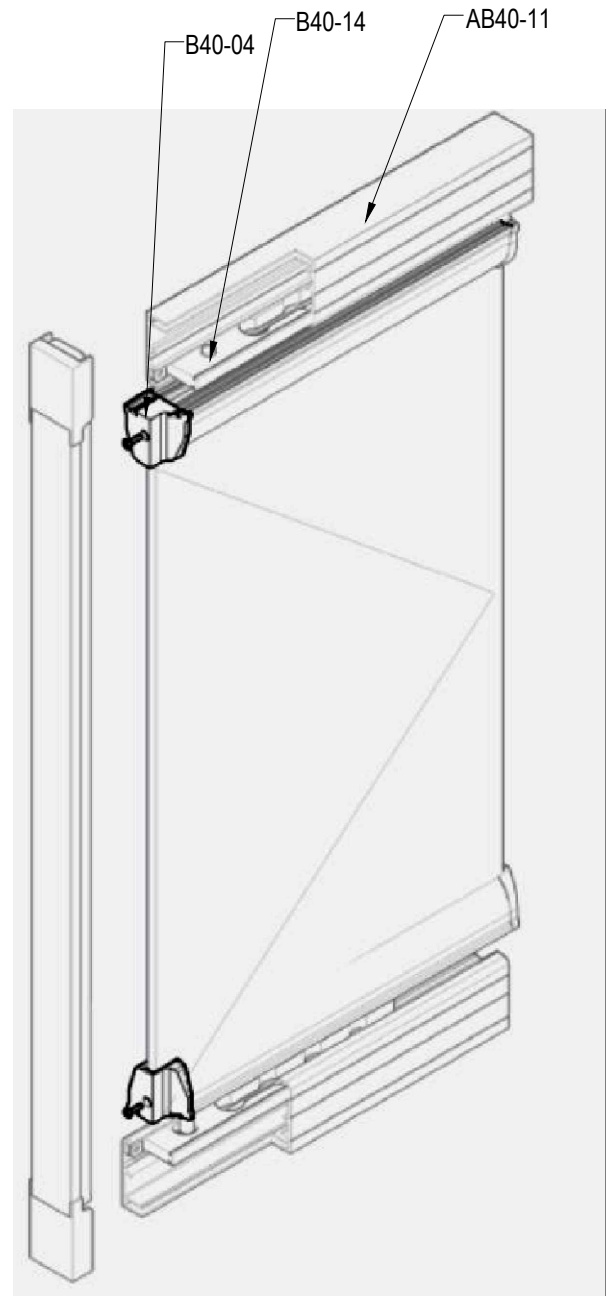
AB40-11

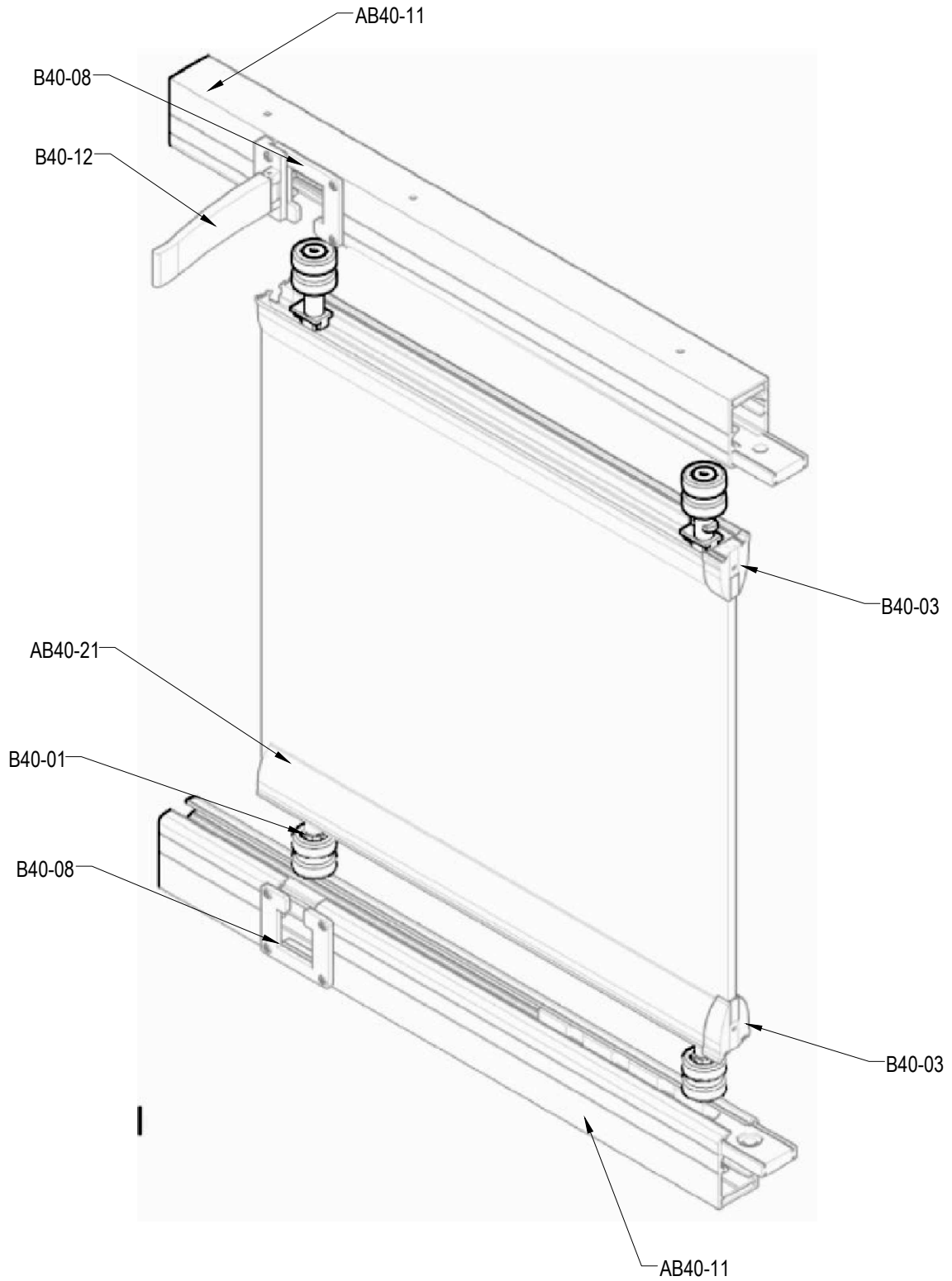
AB40
CAM BALKON SISTEMI
GLASS BALCONY SYSTEM

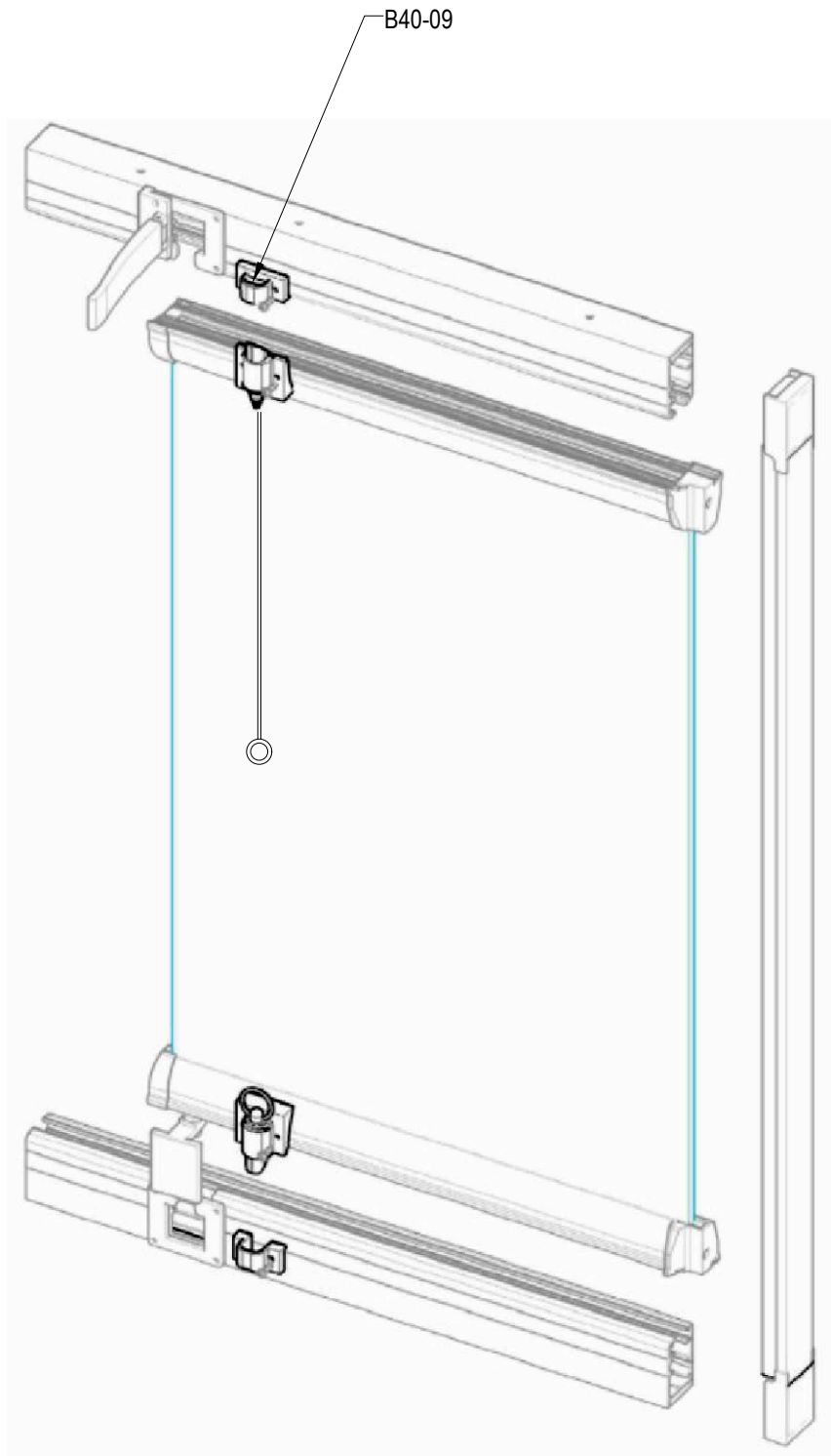


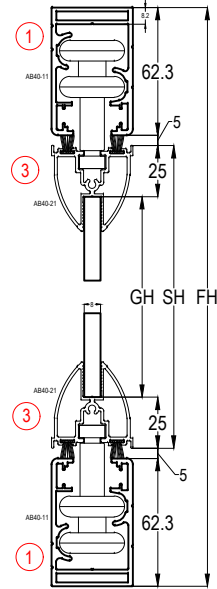
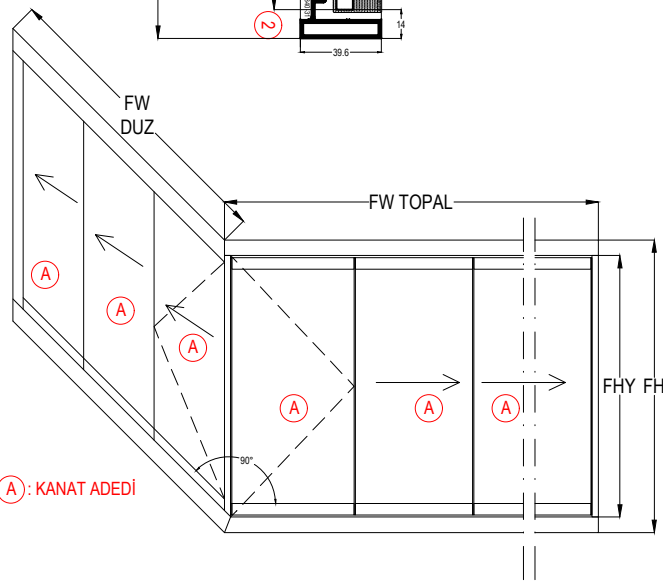
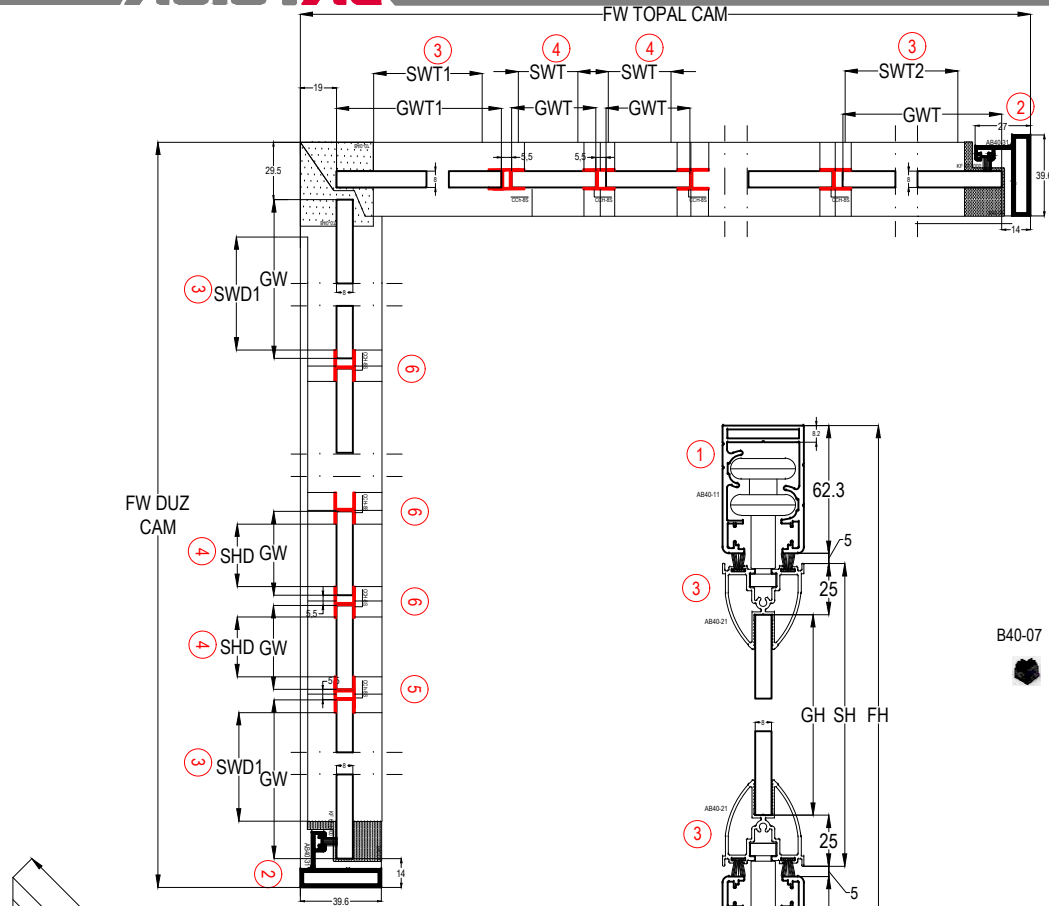


B40-04









Topal Camlı Kısım

FW=ALT-ÜST KASA GENİŞLİĞİ / Bottom&Top Frame Width = FW (mm)

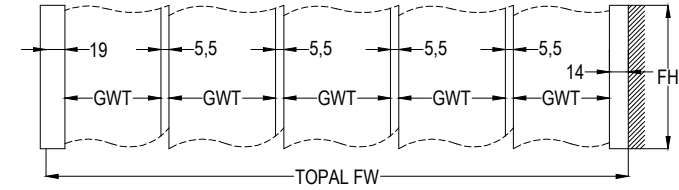
FHY=(YAN KASA YÜKSEKLİK / Vertical Frame Height) - FHY = FH - (62,3+62,3)mm
FHY = FH - 124,6 mm

SH=(KANAT YÜKSEKLİK / Sash Height) - SH = FH - 135mm

GH=(CAM YÜKSEKLİK / Glass Height) - GH = SH - (25+25)mm
GH = SH - 50 mm

GWT(CAM KANAT GENİŞLİK / Glass Sash Width) - $GWT = \frac{FW (mm) - ((14+19) + (A-1) \times 5,5)}{A}$

A=Kanat Adedi



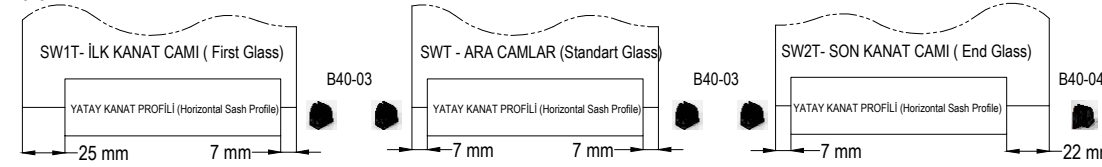
B40-04

B40-07

B40-03

B40-03

B40-04



Düz Camlı Kısım

FW=ALT-ÜST KASA GENİŞLİĞİ / Bottom&Top Frame Width = FW (mm)

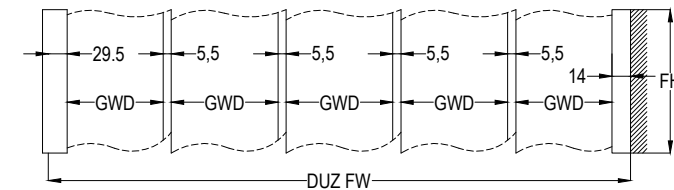
FHY=(YAN KASA YÜKSEKLİK / Vertical Frame Height) - FHY = FH - (62,3+62,3)mm
FHY = FH - 124,6 mm

SH=(KANAT YÜKSEKLİK / Sash Height) - SH = FH - 135mm

GH=(CAM YÜKSEKLİK / Glass Height) - GH = (SH - 25+25)mm
GH = SH - 50 mm

GW=(CAM KANAT GENİŞLİK / Glass Sash Width) - $GW = \frac{FW (mm) - ((14+29,5) + (A-1) \times 5,5)}{A}$

A=Kanat Adedi

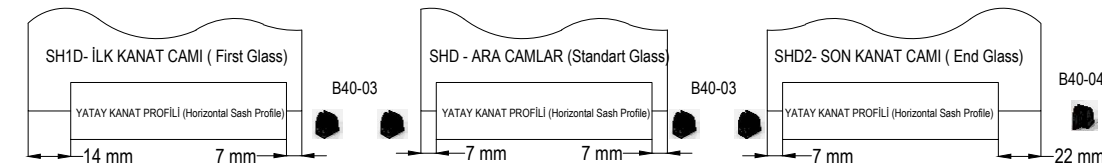


B40-07

B40-03





B40-03

B40-04

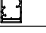

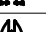
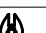

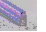



A : KANAT ADEDİ


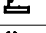
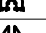
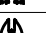




AKSESUARLAR / ACCESSORIES

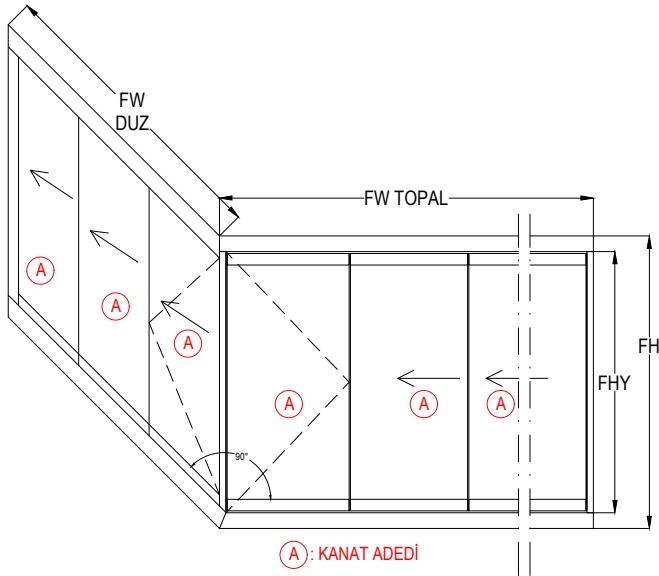
MİKTAR / Unit	KOD / Code	PROFİL ÇİZİMİ / Drawing	PROFİL TANIMI / Description
4 Adet / Pcs	B40-08		TEKER ÇIKIŞ KAPAĞI / Roller Out Cover
2 Adet / Pcs	B40-12		KANAT TEKER KILAVUZU / Roller Guide
4 Adet / Pcs	B40-14		KANAT PARK SABİTLEME- KANAT ADEDİNE GÖRE / Sash Fixing Slot According to Sash Pcs
Adet / Pcs (Ax2)-2	B40-02		KANAT SABİT TEKERİ / Roller For Sash
Adet / Pcs (Ax2)-2	B40-01		KANAT KİLİT TEKERİ / Roller For Park
4 Adet / Pcs	B40-24		YAN KASA BAĞLANTI / Frame Joint Part
2 Takım / Set	B40-04		BİTİM KAPAK SAĞ-SOL / Sash Cover Left-Right
(A-2) x 2Takım / Set	B40-03		DÜZ KAPAK SAĞ-SOL / Sash Cover Left-Right
2 Takım / Set	B40-07		90°LİK DÖNÜŞ KAPAĞI SAĞ/SOL / Corner Cover Left-Right
2 Adet / Pcs	B40-10		İLK KANAT ALT PİMİ / First Sash Bottom Hinge
2 Adet / Pcs	B40-11		İLK KANAT ÜST PİMİ / First Sash Top Hinge
4 Adet / Pcs	B40-09		KANAT KİLİT / Sash Lock
2 Adet / Pcs	B40-19		KANAT STOPLAMA / Sash Stopper
(2 xFH)+(SWx4)= Mt.	KF 67-1000		FİRÇA FİTİL / Brush Gasket
2 Takım / Set	B40-20		HAREKETLİ MAFSAL / Moving Mafsal

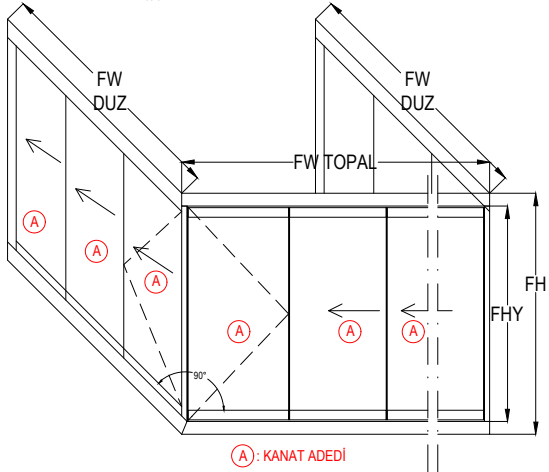
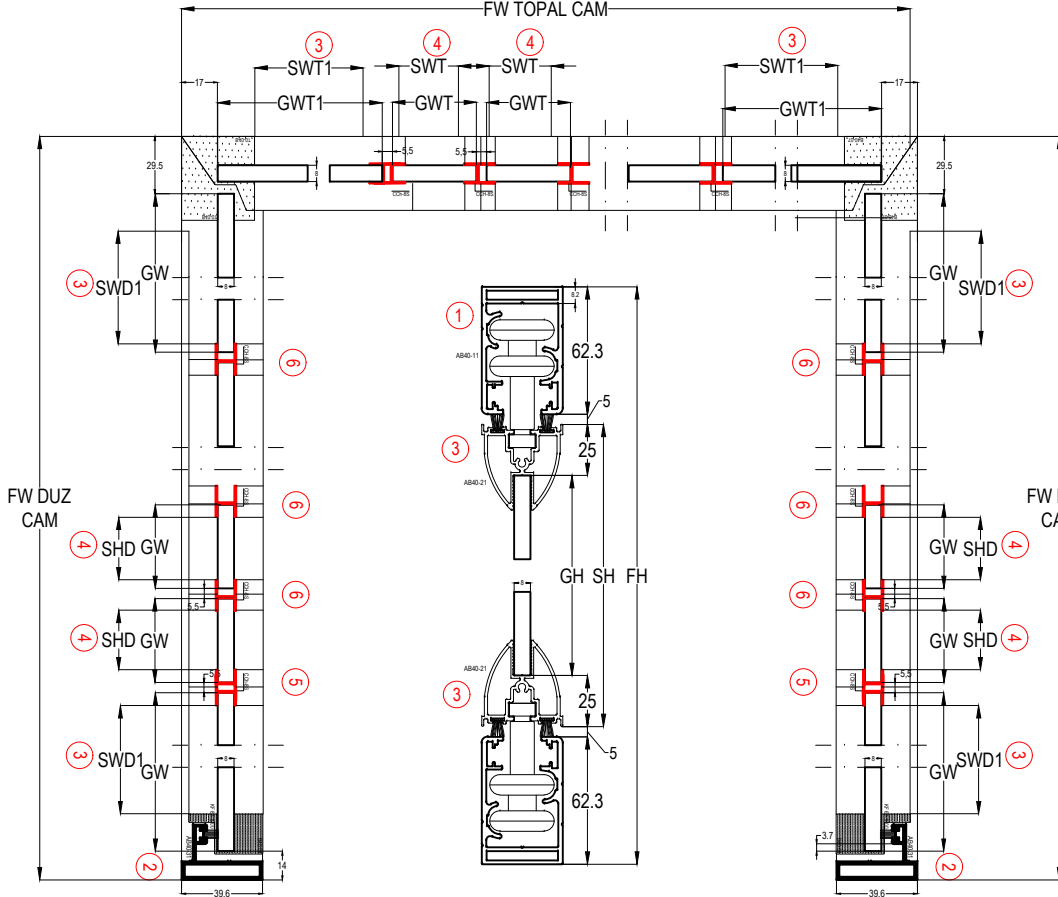
DUZ CAM PROFİLLER / PROFILES

NO / Number	ADET / Unit	KOD / Code	PROFİL ÇİZİMİ / Drawing	PROFİL TANIMI / Description	KESİM ÖLÇÜSÜ / Cutting Dimensions
1	2	AB40-11		YATAY KASA PROFİLİ / Horizontal Frame Profile	FW
2	1	AB40-31		DİKEY KASA PROFİLİ / Vertical Frame Profile	FH - 124,6 mm
3	2 x 2	AB40-21		İLK KANAT PROFİLİ-YATAY / Horizontal First Sash Profile	SHD1 = GW - 21 mm
4	(A-4)x2	AB40-21		ARA KANAT PROFİLİ-YATAY / Horizontal Middle Sash Profile	SHD = GW - 14 mm
5	2 x 2			SON KANAT PROFİLİ-YATAY / Horizontal End Sash Profile	SHD2 = GW - 29mm
6	2	CCh-8S		"h" CAM CONTASI / "h" Glass Gasket	GH - 17 mm
7	A - 2	CCH-8S		"H" CAM CONTASI / "H" Glass Gasket	GH - 17 mm

TOPAL CAM PROFİLLER / PROFILES

NO / Number	ADET / Unit	KOD / Code	PROFİL ÇİZİMİ / Drawing	PROFİL TANIMI / Description	KESİM ÖLÇÜSÜ / Cutting Dimensions
1	2	AB40-11		YATAY KASA PROFİLİ / Horizontal Frame Profile	FW
2	1	AB40-31		DİKEY KASA PROFİLİ / Vertical Frame Profile	FH - 124,6 mm
3	2 x 2	AB40-21		İLK KANAT PROFİLİ-YATAY / Horizontal First Sash Profile	SHT = GW - 32 mm
4	(A-4)x2	AB40-21		ARA KANAT PROFİLİ-YATAY / Horizontal Middle Sash Profile	SHT = GW - 14 mm
5	2 x 2			SON KANAT PROFİLİ-YATAY / Horizontal End Sash Profile	SHT2 = GW - 29mm
6	2	CCh-8S		"h" CAM CONTASI / "h" Glass Gasket	GH - 17 mm
7	A - 2	CCH-8S		"H" CAM CONTASI / "H" Glass Gasket	GH - 17 mm
8	1	CC90-8S		90°KÖŞE "h" CAM CONTASI / "h" Glass Gasket	GH - 17 mm





(A): KANAT ADEDİ

Topal Camlı Kısım

FW=ALT-ÜST KASA GENİŞLİĞİ / Bottom&Top Frame Width = FW (mm)

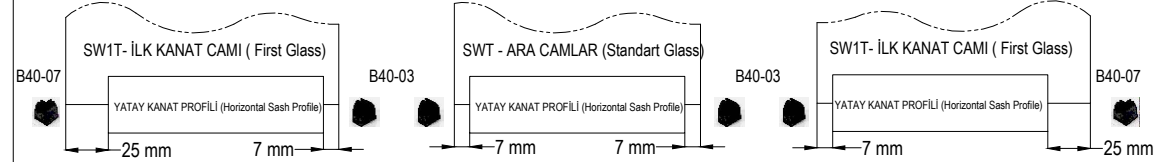
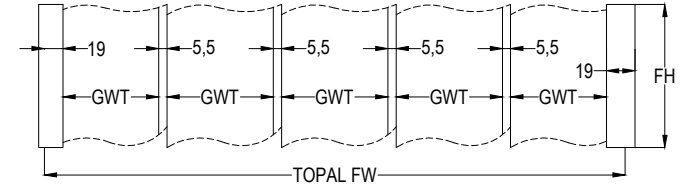
FHY=(YAN KASA YÜKSEKLİK / Vertical Frame Height) - FHY = FH - (62,3+62,3)mm
FHY = FH - 124,6 mm

SH=(KANAT YÜKSEKLİK / Sash Height) - SH = FH - 135mm

GH=(CAM YÜKSEKLİK / Glass Height) - GH = SH - 25+25)mm
GH = SH - 50 mm

GWT(CAM KANAT GENİŞLİK / Glass Sash Width) - $GWT = \frac{FW (mm) - ((19+19) + (A-1) \times 5,5)}{A}$

A=Kanat Adedi



DÜZ Camlı Kısım

FW=ALT-ÜST KASA GENİŞLİĞİ / Bottom&Top Frame Width = FW (mm)

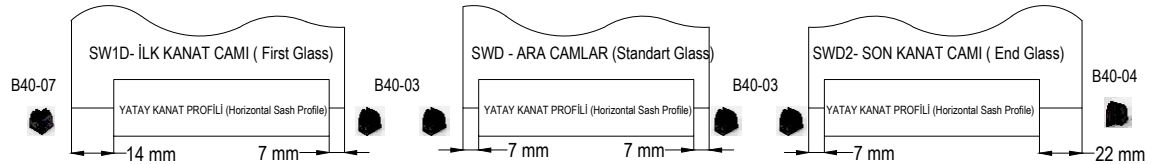
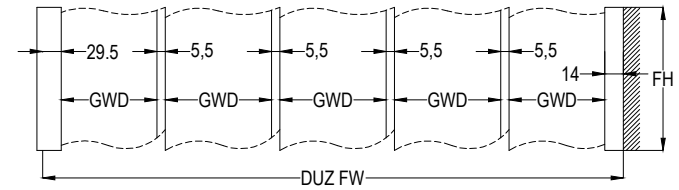
FHY=(YAN KASA YÜKSEKLİK / Vertical Frame Height) - FHY = FH - (62,3+62,3)mm
FHY = FH - 124,6 mm

SH=(KANAT YÜKSEKLİK / Sash Height) - SH = FH - 135mm

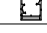
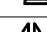


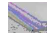

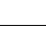
GH=(CAM YÜKSEKLİK / Glass Height) - GH = (SH - 25+25)mm
GH = SH - 50 mm

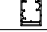
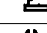
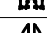




GW=(CAM KANAT GENİŞLİK / Glass Sash Width) - $GW = \frac{FW (mm) - ((14+29,5) + (A-1) \times 5,5)}{A}$

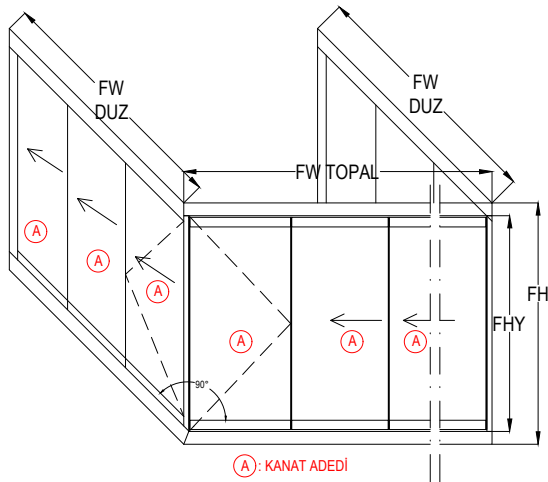
A=Kanat Adedi



AKSESUARLAR / ACCESSORIES			
MİKTAR / Unit	KOD / Code	PROFİL ÇİZİMİ / Drawing	PROFİL TANIMI / Description
6 Adet / Pcs	B40-08		TEKER ÇIKIŞ KAPAĞI / Roller Out Cover
3 Adet / Pcs	B40-12		KANAT TEKER KILAVUZU / Roller Guide
6 Adet / Pcs	B40-14		KANAT PARK SABİTLEME- KANAT ADEDİNE GÖRE / Sash Fixing Slot According to Sash Pcs
Adet / Pcs x (Ax2)-6	B40-02		KANAT SABİT TEKERİ / Roller For Sash
Adet / Pcs x (Ax2)-6	B40-01		KANAT KİLİT TEKERİ / Roller For Park
6 Adet / Pcs	B40-24		YAN KASA BAĞLANTI / Frame Joint Part
2 Takım / Set	B40-04		BİTİM KAPAĞI SAĞ-SOL / Sash Cover Left-Right
4 Takım / Set	B40-07		90° KAPAK / Sash Cover 90°
(AX2)-6Takım / Set	B40-03		DÜZ KAPAK SAĞ-SOL / First Sash Cover Left-Right
3 Adet / Pcs	B40-10		İLK KANAT ALT PİMİ / First Sash Bottom Hinge
3 Adet / Pcs	B40-11		İLK KANAT ÜST PİMİ / First Sash Top Hinge
6 Adet / Pcs	B40-09		KANAT KİLİT / Sash Lock
3 Adet / Pcs	B40-19		KANAT STOPLAMA / Sash Stopper
(2xFH)+(SWX4) = mt	KF 67-1000		FİRÇA FİTİL / Brush Gasket
4 Adet / Pcs	B40-20		HAREKETLİ MAFSAL / Moving Mafsal

DUZ CAM PROFİLLER / PROFILEX2					
NO / Number	ADET / Unit	KOD / Code	PROFİL ÇİZİMİ / Drawing	PROFİL TANIMI / Description	KESİM ÖLÇÜSÜ / Cutting Dimensions
1	2	AB40-11		YATAY KASA PROFİLİ / Horizontal Frame Profile	FW
2	2	AB40-31		DIKEY KASA PROFİLİ / Vertical Frame Profile	FH - 124.6 mm
3	2 x 2	AB40-21		İLK KANAT PROFİLİ-YATAY / Horizontal First Sash Profile	SHD1 = GW - 21 mm
4	(A-4)x2	AB40-21		ARA KANAT PROFİLİ-YATAY / Horizontal Middle Sash Profile	SHD = GW - 14 mm
5	2 x 2			SON KANAT PROFİLİ-YATAY / Horizontal End Sash Profile	SHD2 = GW - 29mm
6	2	CCH-8S		"h" CAM CONTASI / "h" Glass Gasket	GH - 17 mm
7	A - 2	CCH-8S		"H" CAM CONTASI / "H" Glass Gasket	GH - 17 mm

TOPAL CAM PROFİLLER / PROFILES					
NO / Number	ADET / Unit	KOD / Code	PROFİL ÇİZİMİ / Drawing	PROFİL TANIMI / Description	KESİM ÖLÇÜSÜ / Cutting Dimensions
1	2	AB40-11		YATAY KASA PROFİLİ / Horizontal Frame Profile	FW
2	1	AB40-31		DIKEY KASA PROFİLİ / Vertical Frame Profile	FH - 124.6 mm
3	2 x 4	AB40-21		İLK VE SON KANAT PROFİLİ-YATAY / Horizontal First,End Sash Profile	SHT = GW - 32 mm
4	(A-4)x2	AB40-21		ARA KANAT PROFİLİ-YATAY / Horizontal Middle Sash Profile	SHT = GW - 14 mm
6	2	CCH-8S		"h" CAM CONTASI / "h" Glass Gasket	GH - 17 mm
7	A - 2	CCH-8S		"H" CAM CONTASI / "H" Glass Gasket	GH - 17 mm
8	2	CC90-8S		90°KÖŞE "h" CAM CONTASI / "h" Glass Gasket	GH - 17 mm

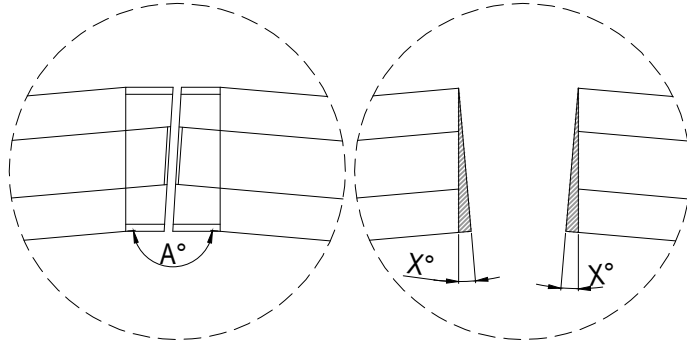
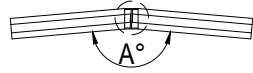


KAVİSLİ CAM BALKON AÇILARININ HESAPLANMASI

Calculation Of Angles in Curved Balcony Glazing Fabricators

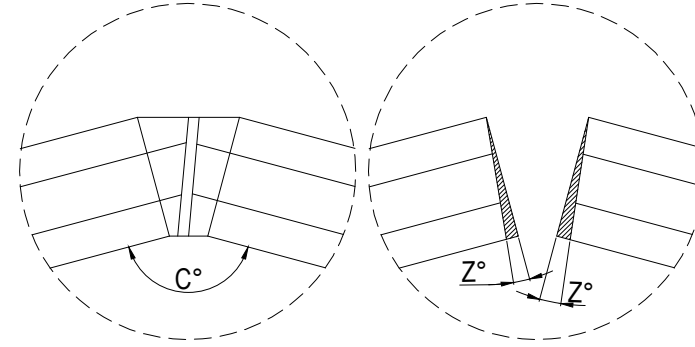
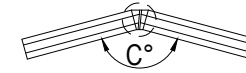
AÇI ARALIKLARI/Angles Between
(180°-162°)

$$X^{\circ}=(180^{\circ}-A^{\circ})/2$$



AÇI ARALIKLARI/Angles Between
(135°-161°)

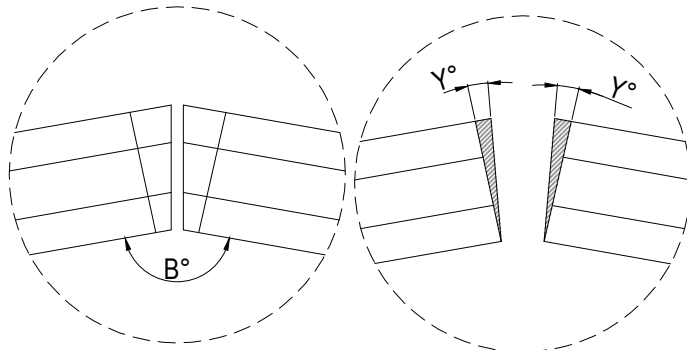
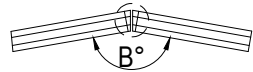
$$Z^{\circ}=(135^{\circ}-C^{\circ})/2$$



AÇI ARALIKLARI/Angles Between
(161°-135°)

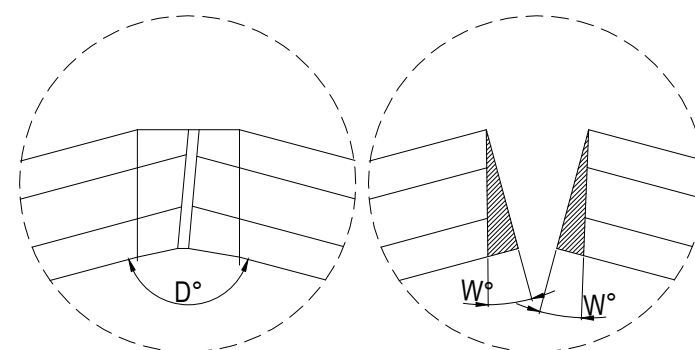
22,5° KAPAK PROFİLİ KESİM AÇISI
HESAPLANMASI/Calculation Of Top
Profile Cutting Angle Using 22,5° Cover

$$Y^{\circ}=(B-135^{\circ})/2$$



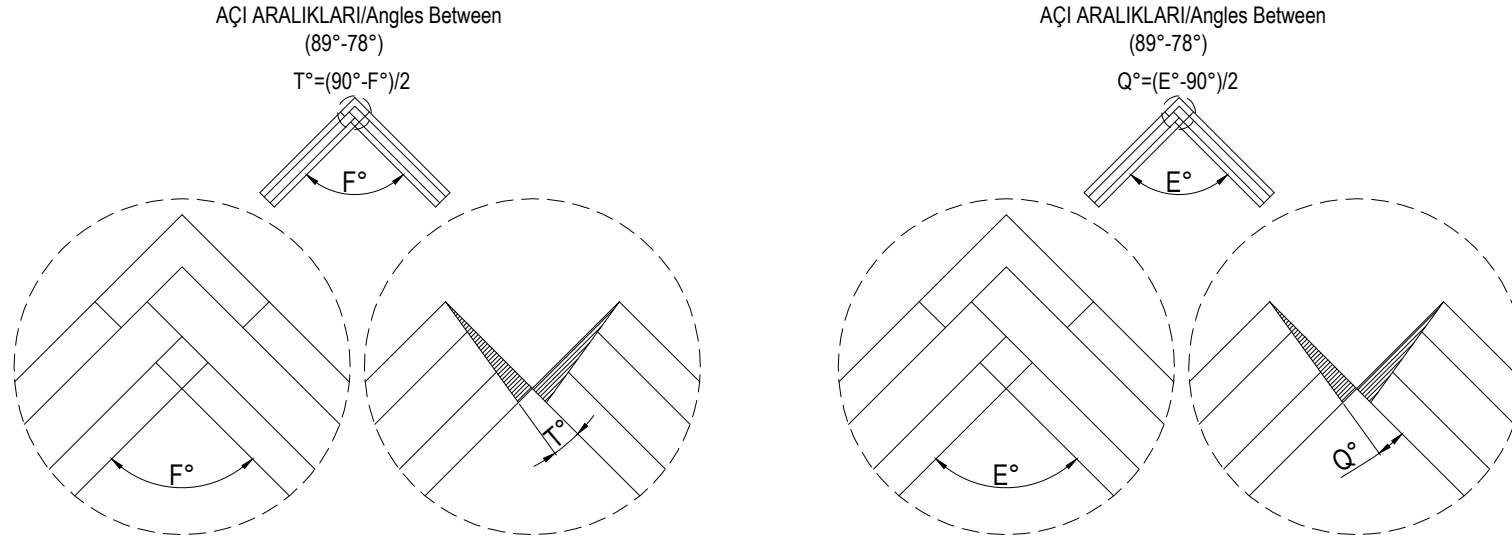
AÇI ARALIKLARI/Angles Between
(114°-102°)

$$W^{\circ}=(180^{\circ}-D^{\circ})/2$$



KAVİSLİ CAM BALKON AÇILARININ HESAPLANMASI

Calculation Of Angles in Curved Balcony Glazing Fabricators



AÇILARINA GÖRE KAPAK KULLANIMI/ Cover Use According To Angle

AÇI ARALIKLARI/Intervals Of Angles	KAPAK AÇILARI/Cover To Be Used	KESME TİPİ/Type Of Cutting
162°-180°	Düz Kapak/Straight Cover	Açılı Kesim/Angle Cutting
135°-161°	22,5°Kapak/Cover	Açılı Kesim/Angle Cutting
115°-134°	22,5°Kapak/Cover	Açılı Kesim/Angle Cutting
102°-114°	Düz Kapak/Straight Cover	Açılı Kesim/Angle Cutting
90°-101°	45°Kapak/Cover	Açılı Kesim/Angle Cutting
78°-89°	45°Kapak/Cover	Açılı Kesim/Angle Cutting