

**KESİM VE MONTAJ ÇİZİMLERİ**  
*CUTTING & ASSEMBLY DRAWINGS*

# SL32 - 1,4mm

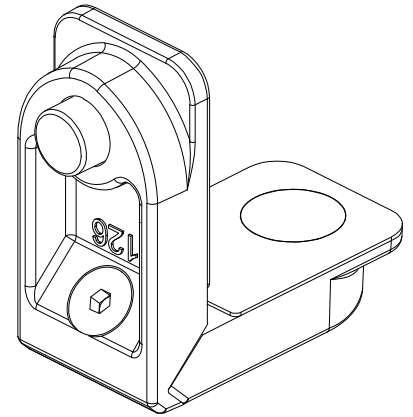
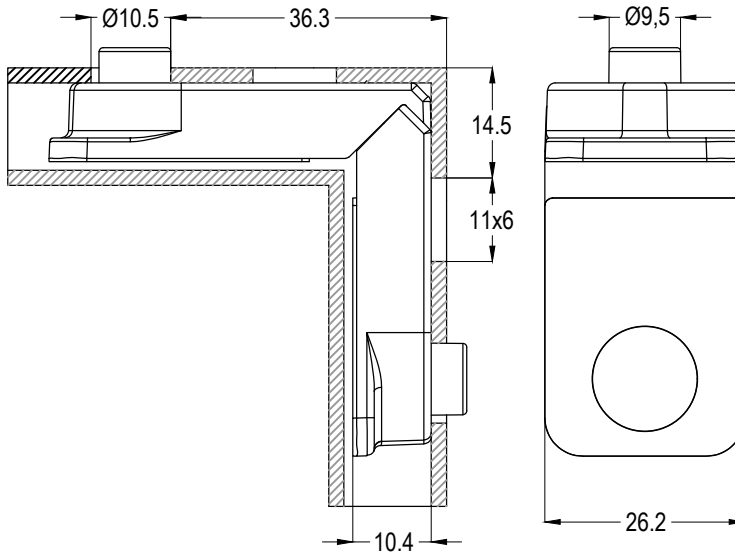
YALITIMSIZ SÜRME SİSTEM  
UNINSULATED SLIDING SYSTEM



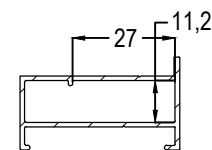
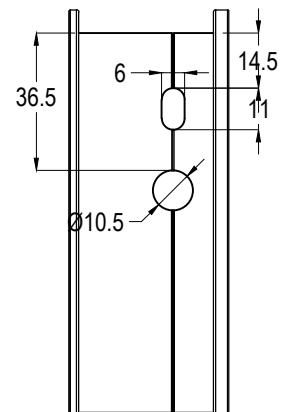
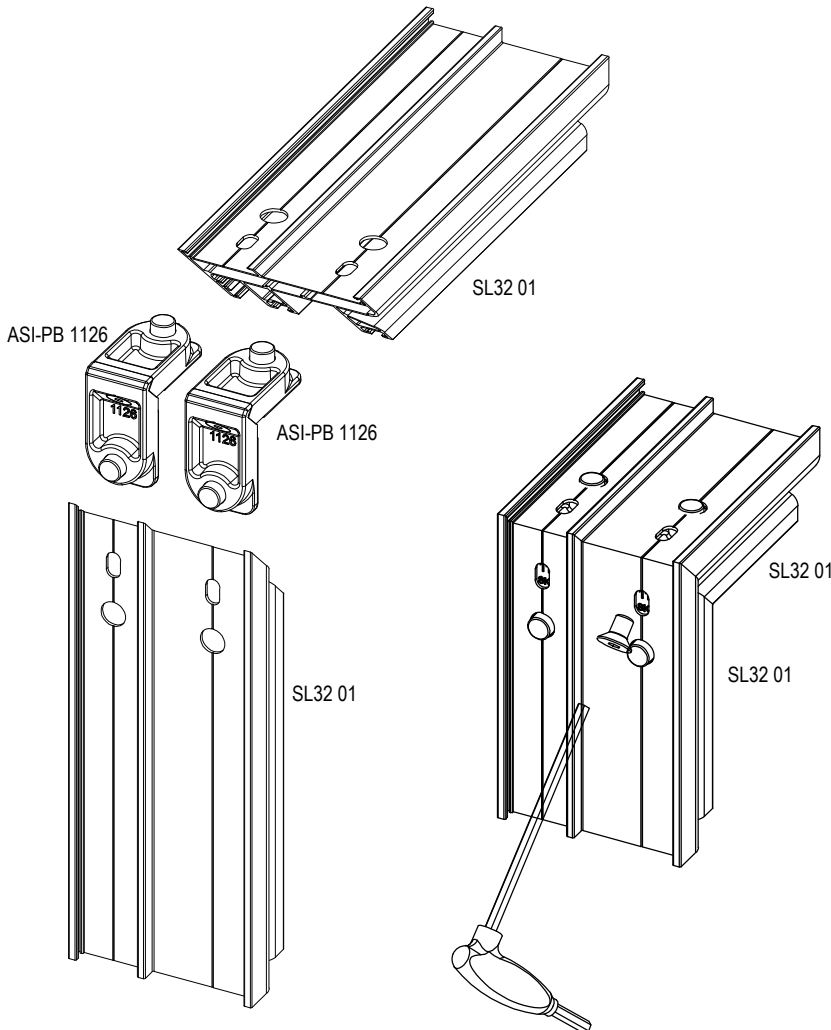
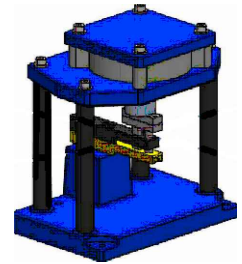
## 501 EKO PANÇ MAKİNESİ

501 ECO PUNCH MACHINE

ASI-PB 1126



501 EKO PANÇ



# SL32 - 1,4mm

YALITIMSIZ SÜRME SİSTEM  
UNINSULATED SLIDING SYSTEM

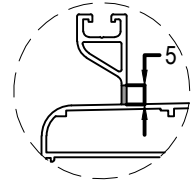
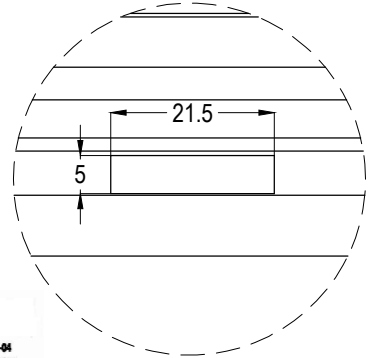
## ASISTAL

### PNC-SL32 PANÇ MAKİNESİ

PNC-SL32 PUNCH MACHINE

### SU TAHLİYE DELİĞİ

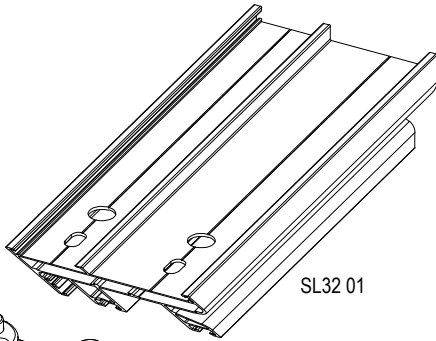
WATER DRAINAGE



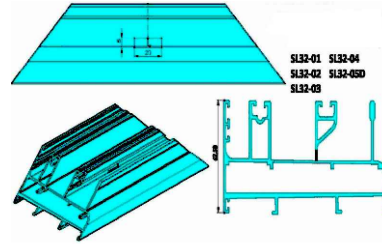
### SU TAHLİYE DELİĞİ

Water Drainage

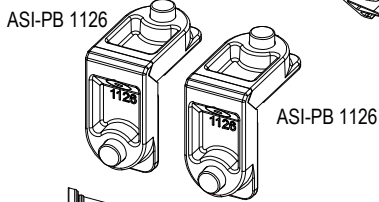
SL32 01  
SL32 02  
SL32 03  
SL32 05D



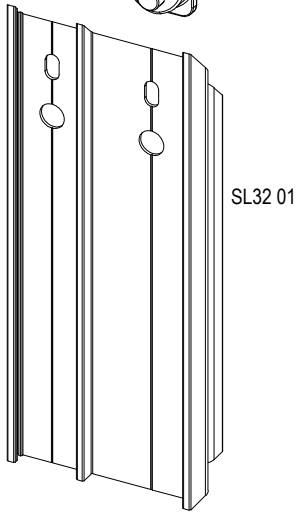
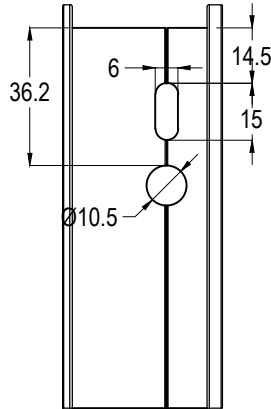
SL32 01



SL32-01 SL32-04  
SL32-02 SL32-05D  
SL32-03

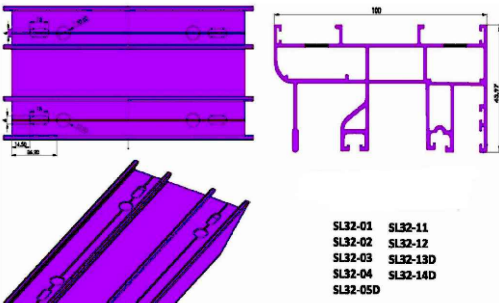
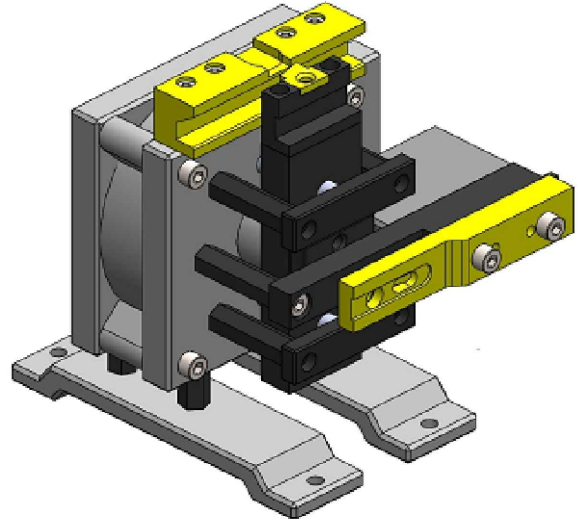


ASI-PB 1126



SL32 01

### PNC-SL32



SL32-01 SL32-11  
SL32-02 SL32-12  
SL32-03 SL32-13D  
SL32-04 SL32-14D  
SL32-05D

### ASI-PB 1126 PİMLİ KÖŞE BAĞLANTI

#### İÇİN KASA DELME İŞLEMİ

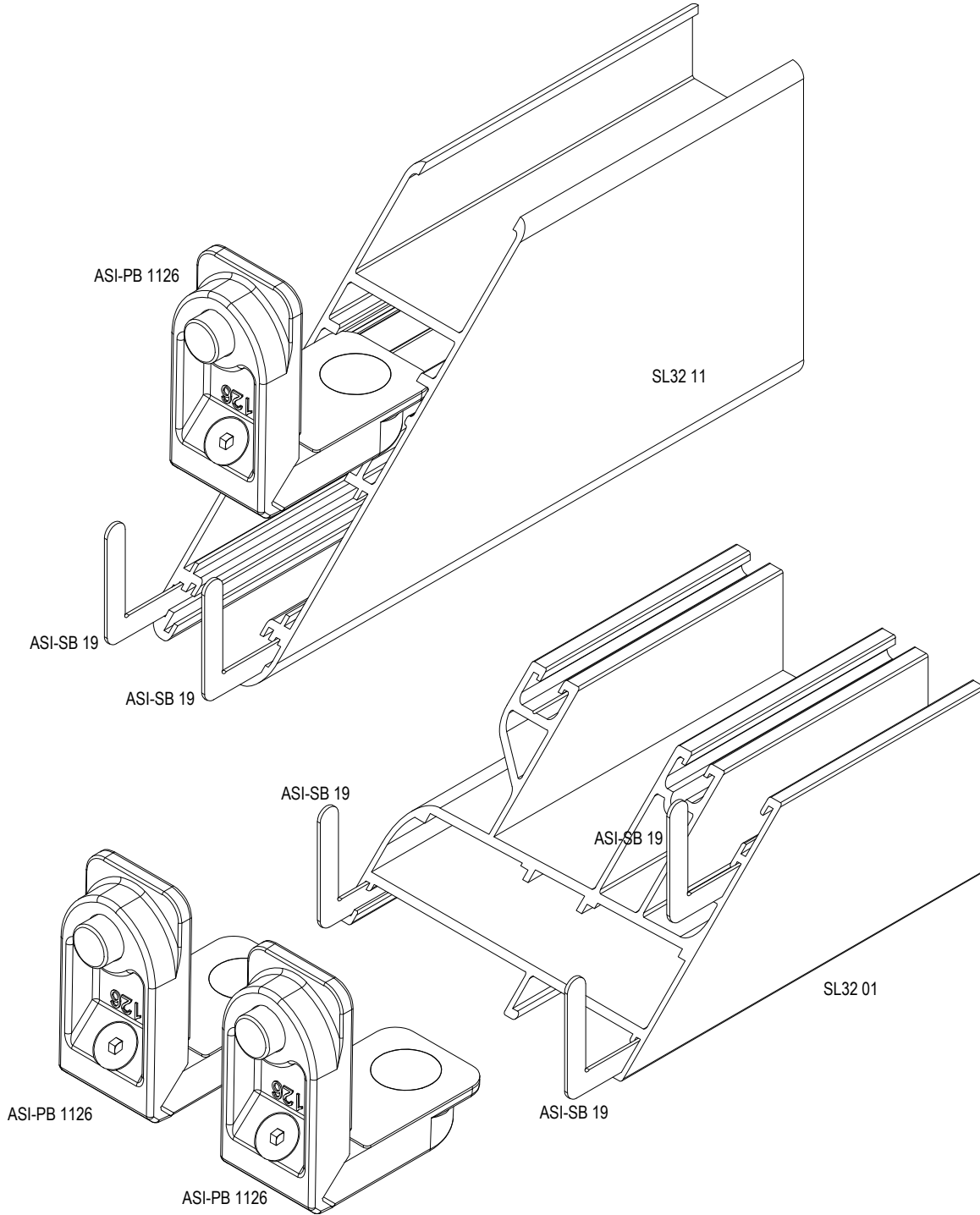
Drill For Button Corner Joint

SL32 01 SL32 11  
SL32 02 SL32 12  
SL32 03 SL32 13D  
SL32 05D SL32 14D



## KANAT - KASA KÖŞE BAĞLANTI MONTAJI

FRAME - SASH CORNER JOINT ASSEMBLY



SL32 - 1,4mm

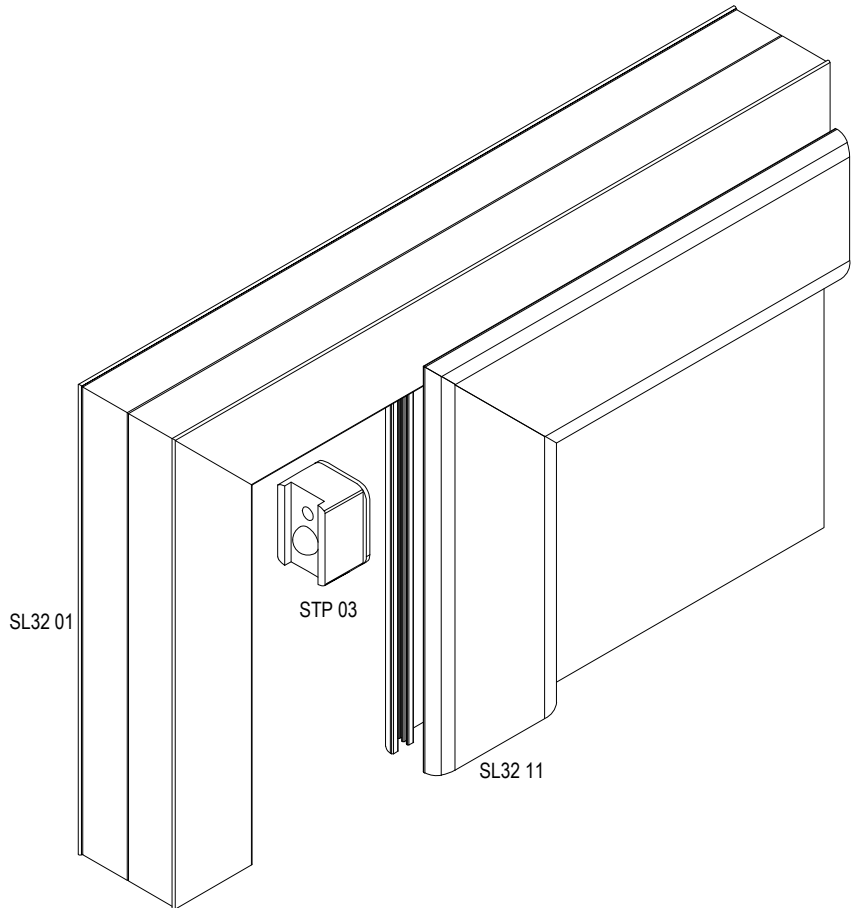
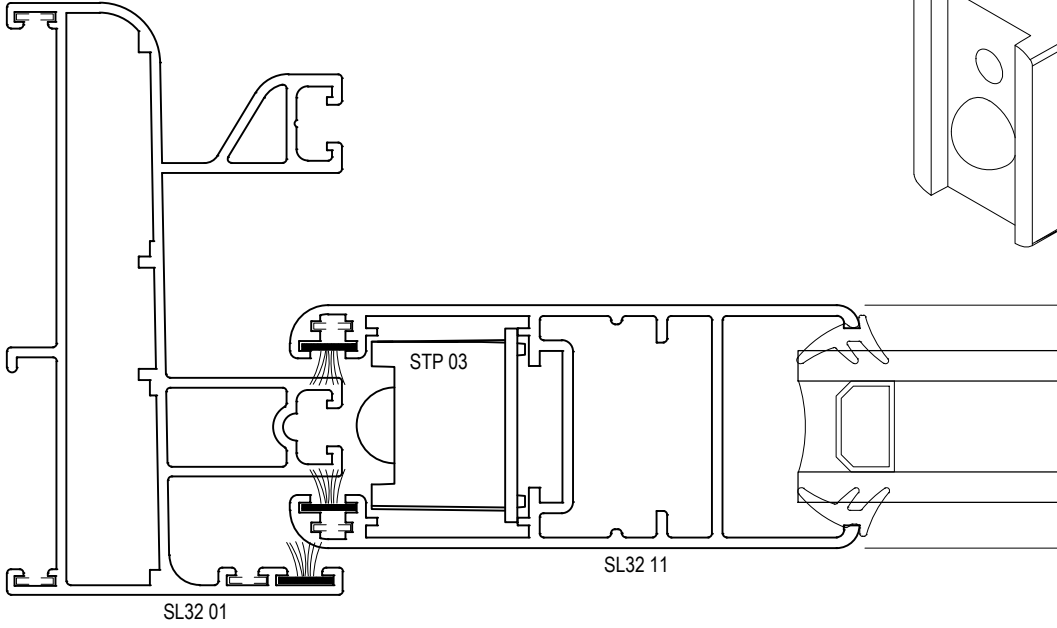
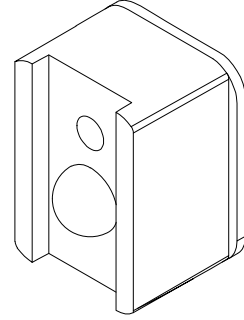
YALITIMSIZ SÜRME SİSTEM  
UNINSULATED SLIDING SYSTEM



**KANAT STOPER MONTAJI : STP 03**

*ASSEMBLY FOR SASH STOPPER : STP 03*

STP 03



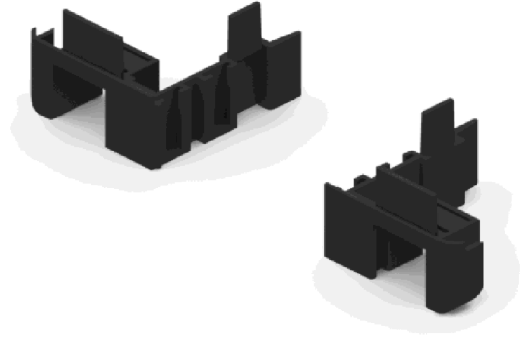
SL32 - 1,4mm

YALITIMSIZ SÜRME SİSTEM  
UNINSULATED SLIDING SYSTEM

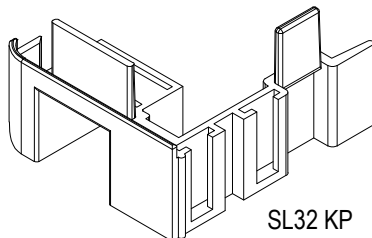
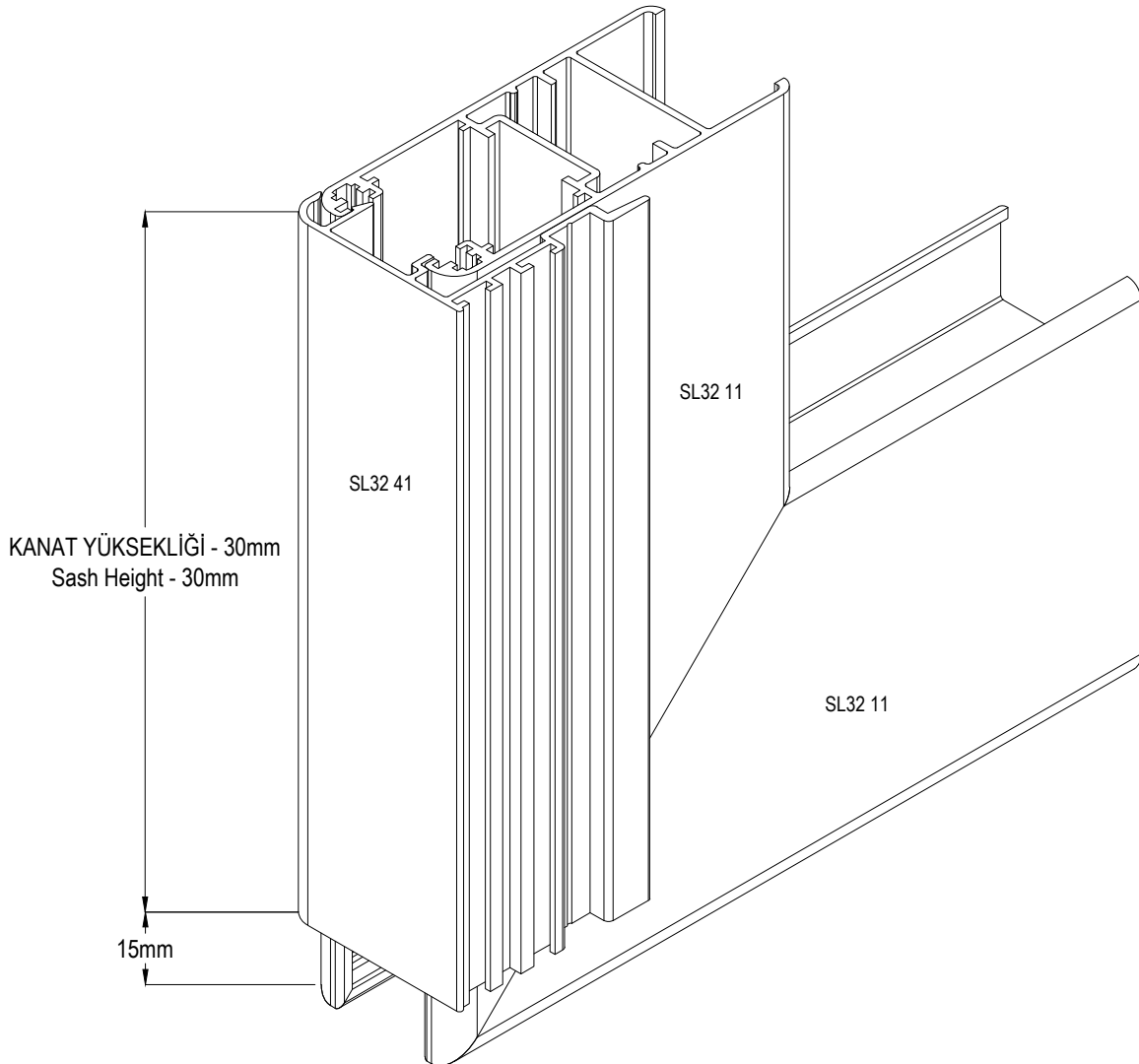
ASISTAL

## KENET KAPAĞI MONTAJI

ASSEMBLY FOR INTERLOCK PROFILE CAP



SL32 KP



SL32 KP

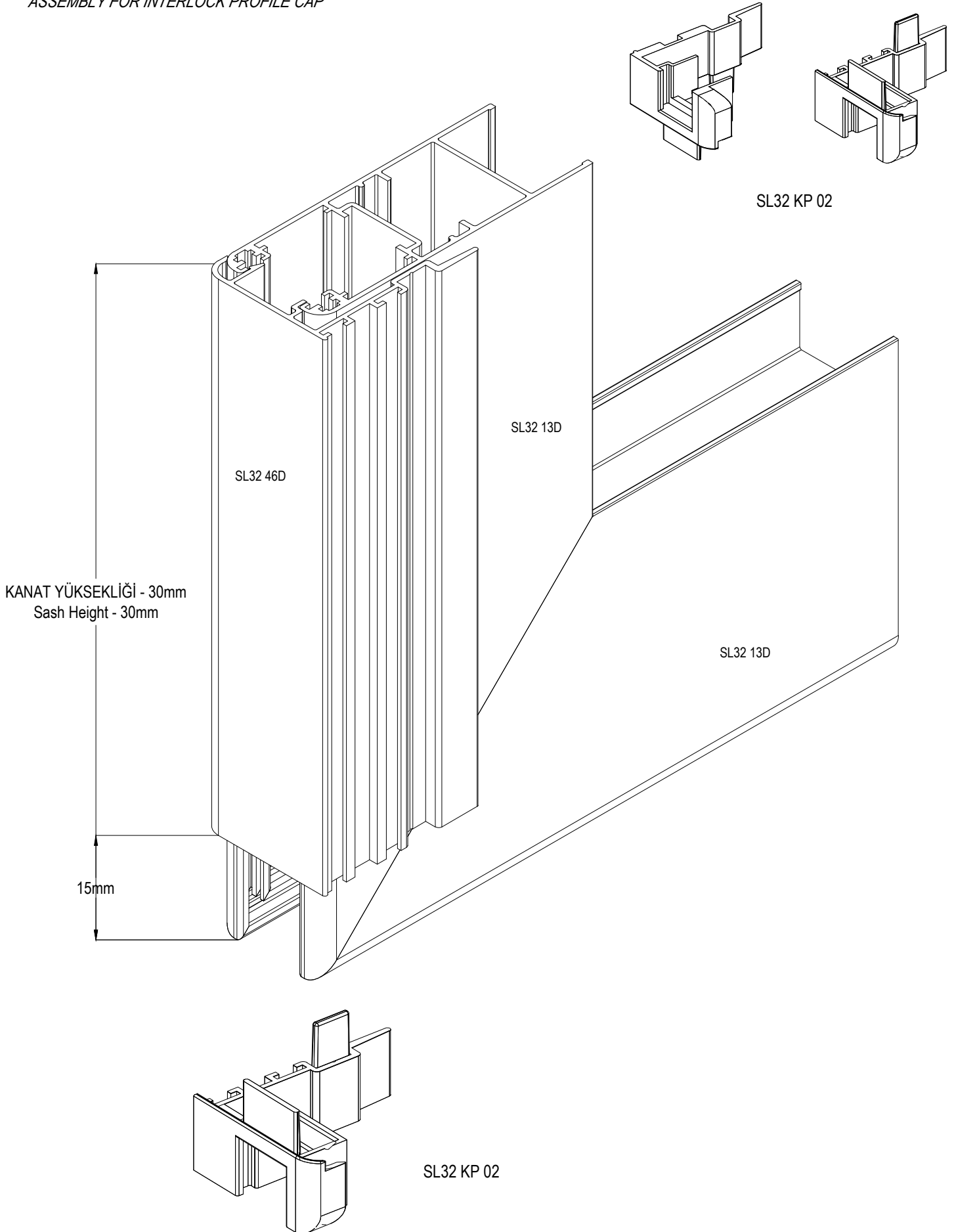
SL32 - 1,4mm

YALITIMSIZ SÜRME SİSTEM  
UNINSULATED SLIDING SYSTEM

ASISTAL

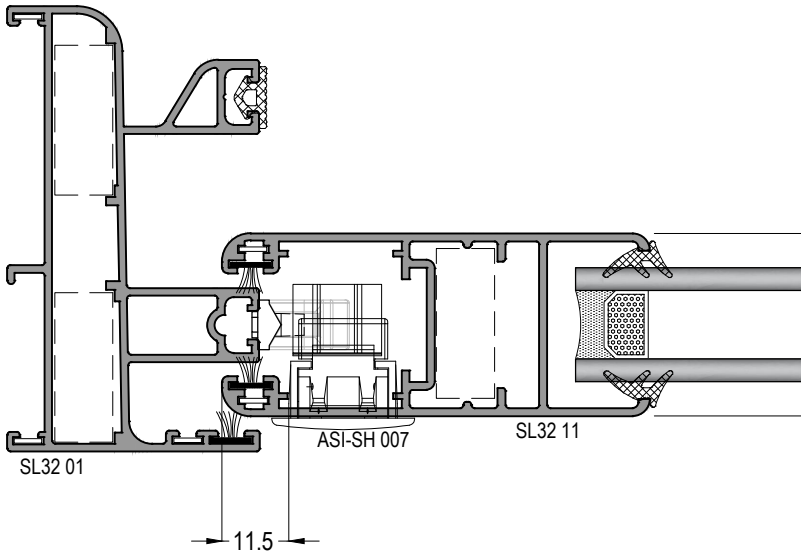
## KENET KAPAĞI MONTAJI

ASSEMBLY FOR INTERLOCK PROFILE CAP

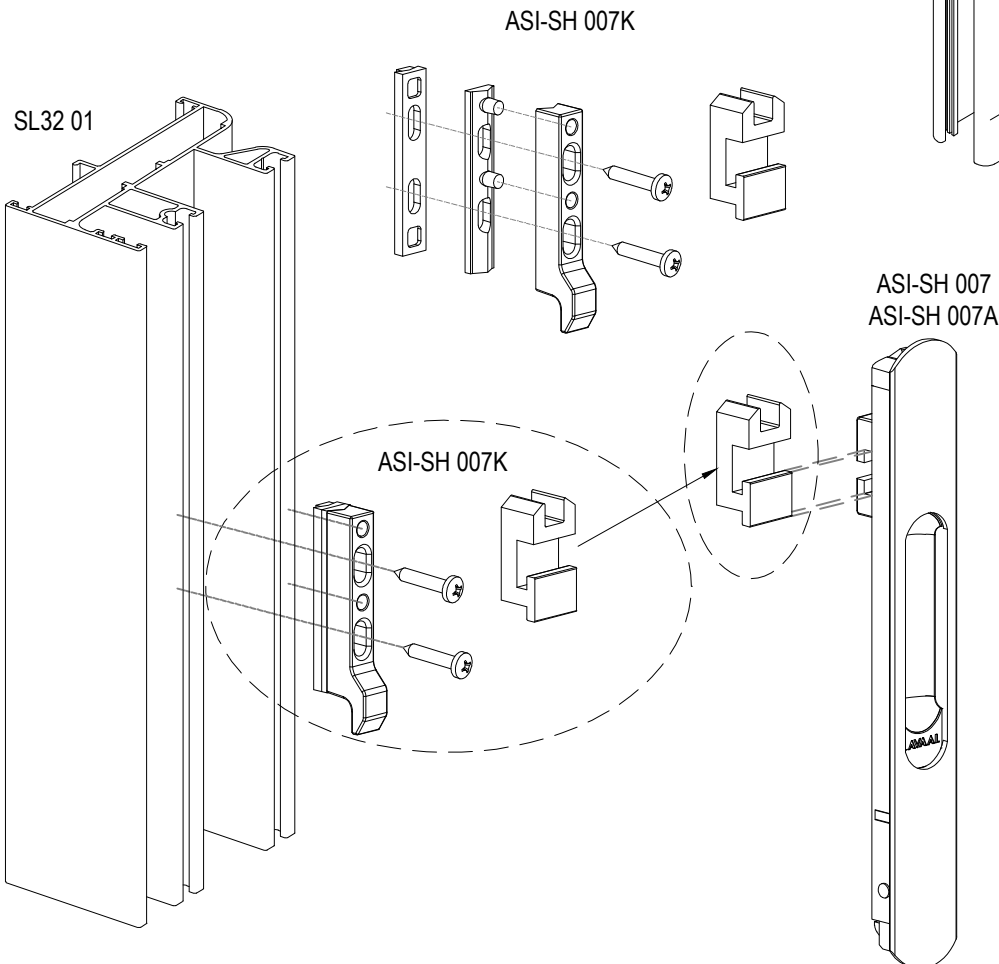
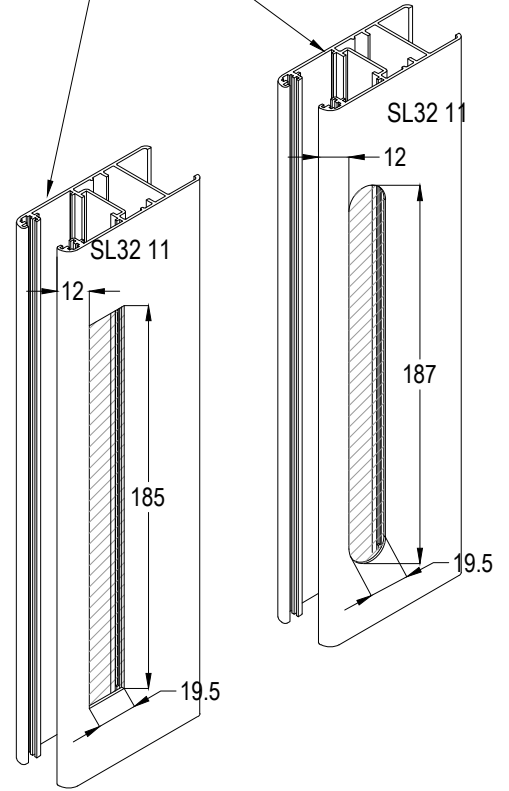


# SL32 - 1,4mm

YALITIMSIZ SÜRME SİSTEM  
UNINSULATED SLIDING SYSTEM



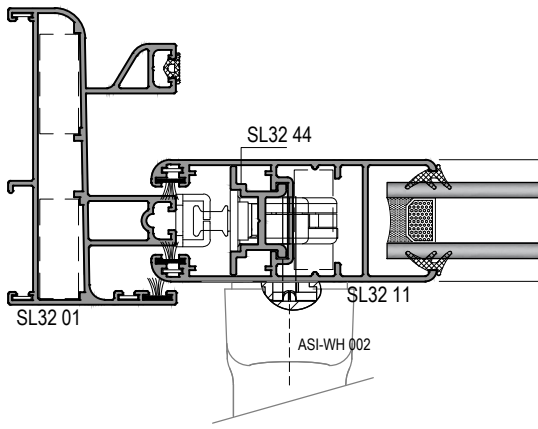
ASI-SH 007  
ASI-SH 007A  
ASI-SH 007B  
İÇİN KOL YERİ KESİM ÖLÇÜSÜ





### İSPANYOLET KİLİTLEME : ASI-ISP 15

MULTI POINT LOCKING : ASI-ISP 15

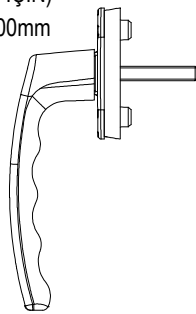


ASI-ISP15.0(400 mm LİK İSPANYOLET İÇİN)  
KANAT YÜKSEKLİĞİ (sash height) < 600mm  
SL32 44 = 400mm X 1 ADET  
ASI-ISP K03 = 2 ADET

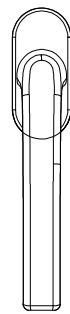
ASI-ISP15.1 (600 mm LİK İSPANYOLET İÇİN)  
KANAT YÜKSEKLİĞİ (sash height) < 1100mm  
SL32 44 = 600mm X 1 ADET  
ASI-ISP K03 = 2 ADET

ASI-ISP15.2 (1000mm LİK İSPANYOLET İÇİN)  
1900mm < KANAT YÜKSEKLİĞİ (sash height) > 1100m  
SL32 44 = 1000mm X 1 ADET  
ASI-ISP K03 = 2 ADET

ASI-ISP15.3 (1800mm LİK İSPANYOLET İÇİN)  
KANAT YÜKSEKLİĞİ (sash height) > 1900mm  
SL32 44 = 1800mm X 1 ADET  
ASI-ISP K03 = 2 ADET



ASI-WH 002

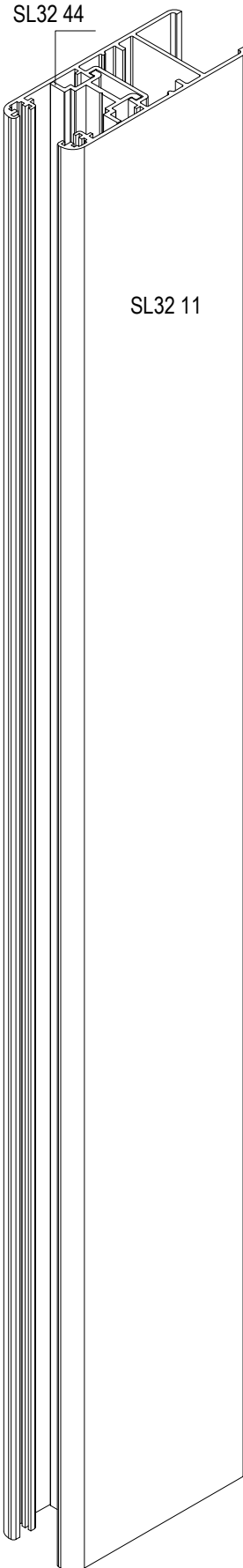
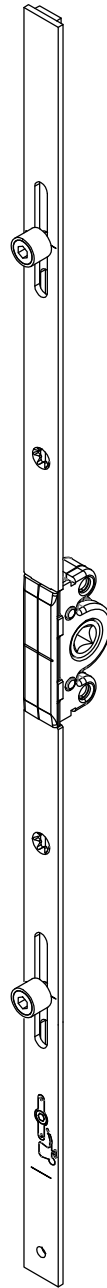


ASI-ISP K03



ASI-ISP K03

ASI-ISP 15.X



SL32 11

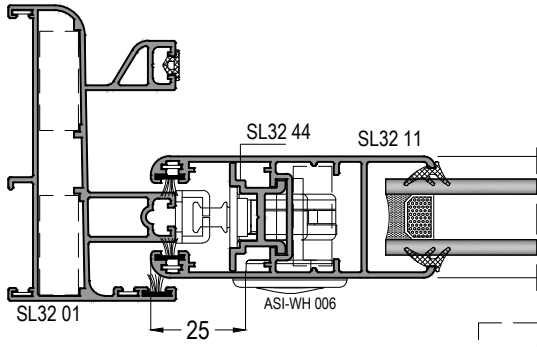
# SL32 - 1,4mm

YALITIMSIZ SÜRME SİSTEM  
UNINSULATED SLIDING SYSTEM

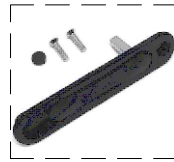


## İSPANYOLET KİLİTLEME : ASI-ISP 15

MULTI POINT LOCKING : ASI-ISP 15



ASI-WH 006



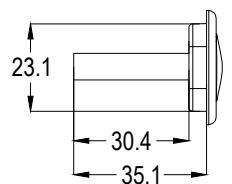
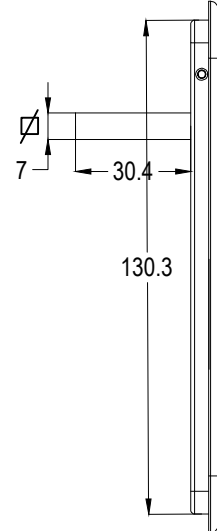
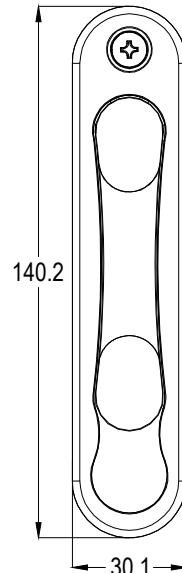
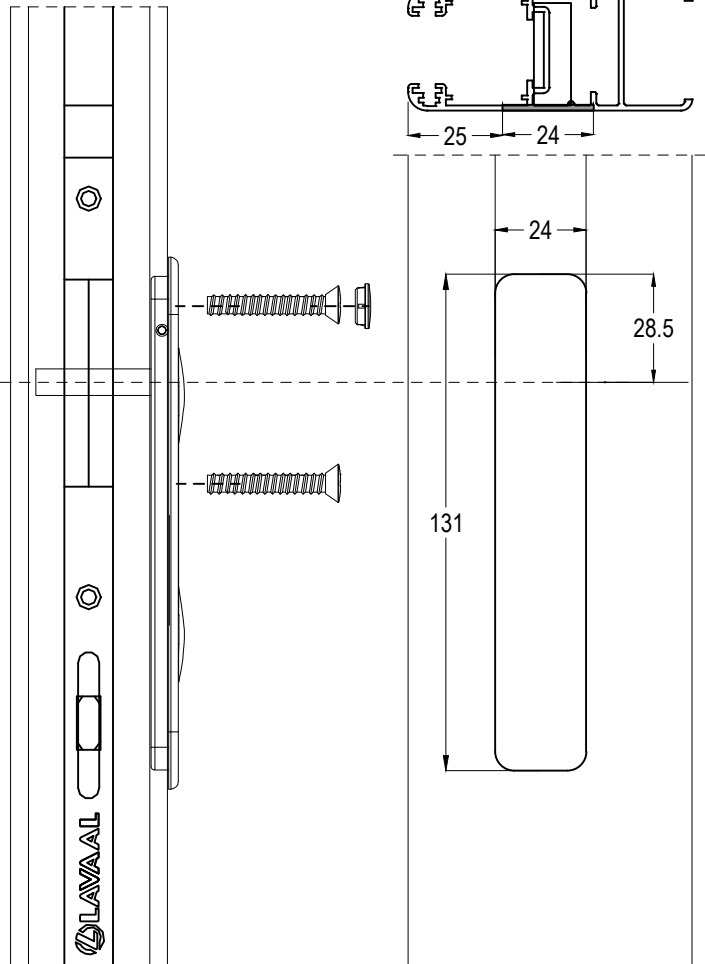
ASI-ISP 15.X

ASI-ISP K03

ASI-WH 006

SL32 11

ASI-ISP K03



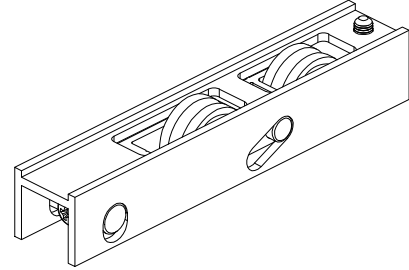
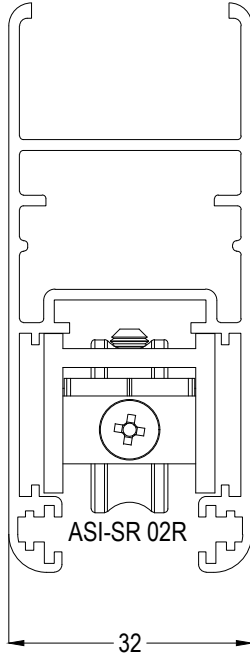
# SL32 - 1,4mm

YALITIMSIZ SÜRME SİSTEM  
UNINSULATED SLIDING SYSTEM

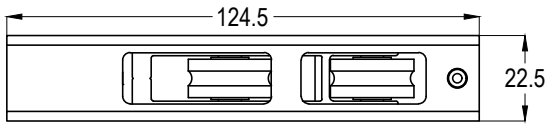
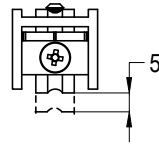
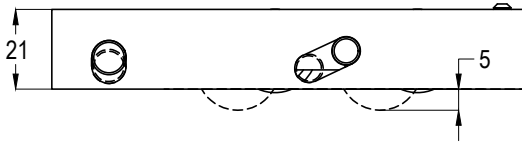


**RULMAN : ASI-SR 02R**

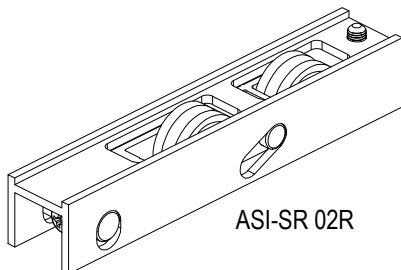
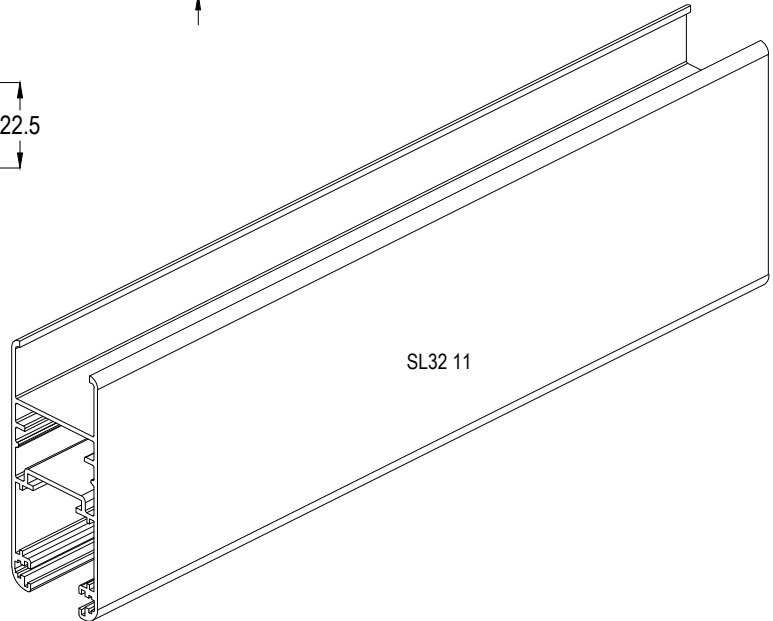
*ROLLER : ASI-SR 02R*



ASI-SR 02R  
TAŞIMA KAPASİTESİ = 60 kg  
Cary Capacity = 60 kg  
TEK KANAT İÇİN = 120 kg  
Single Sash = 120 kg

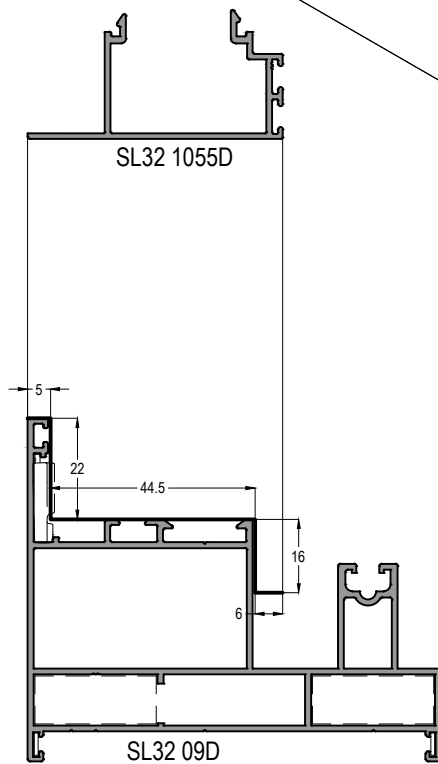
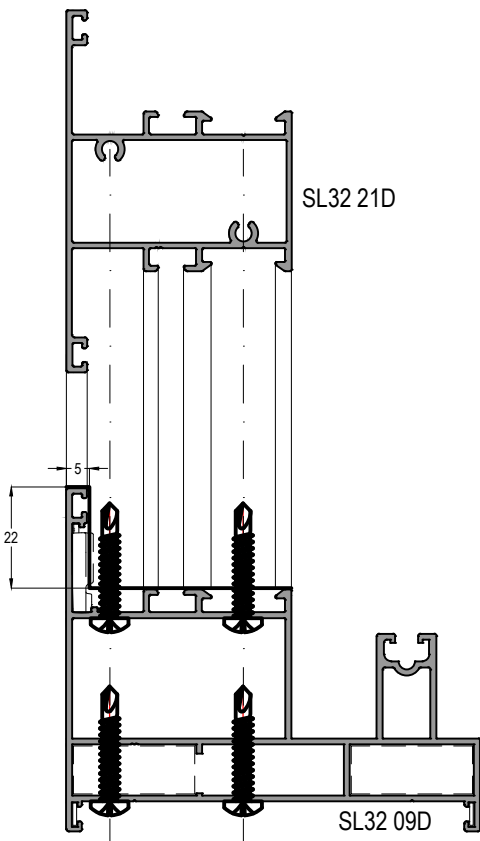
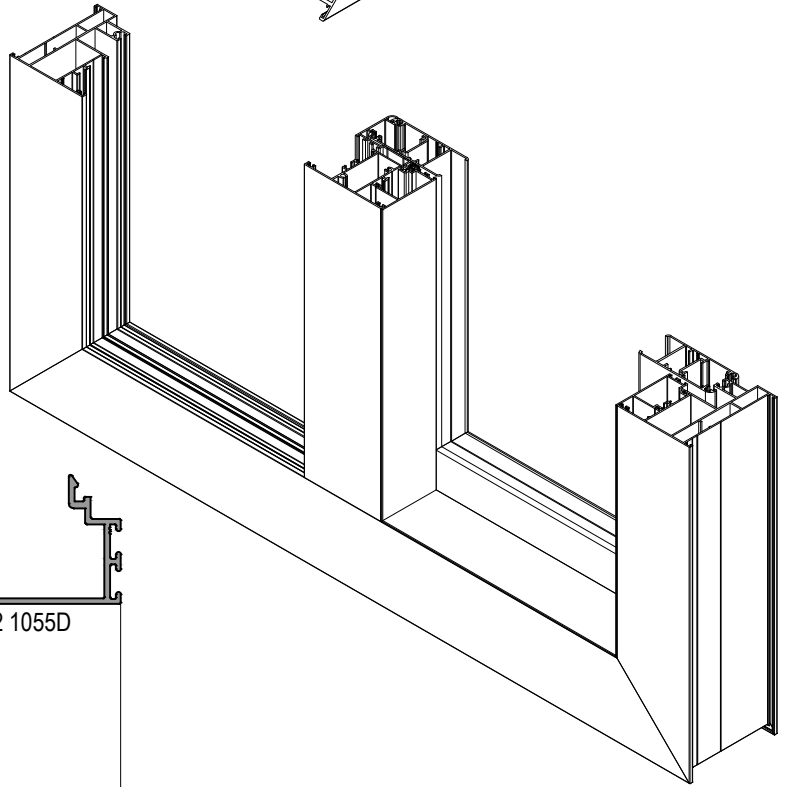
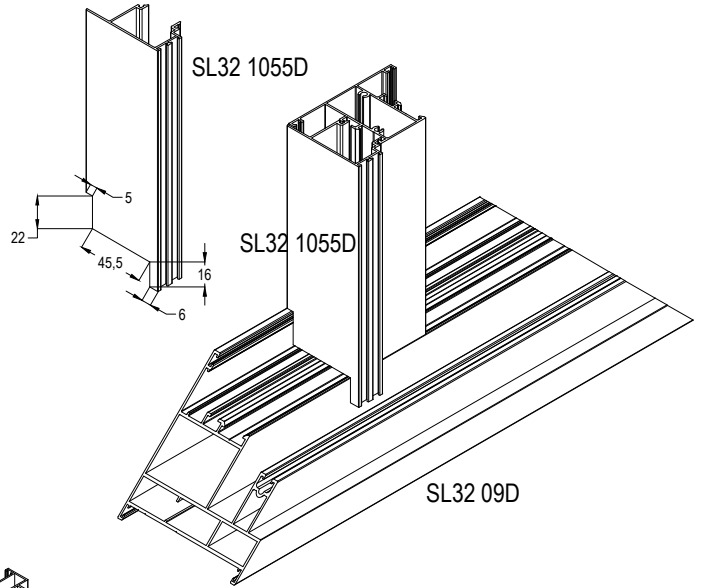
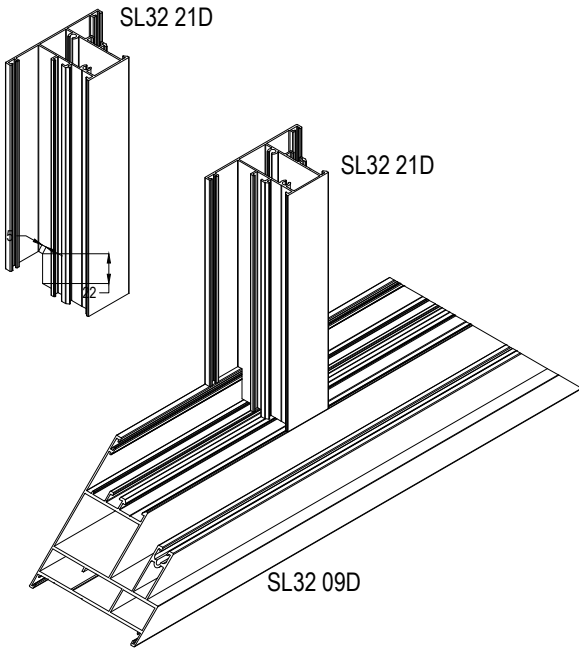


ASI-SR 02R



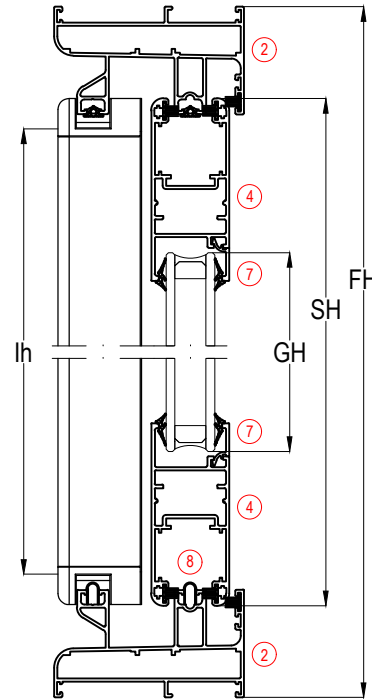
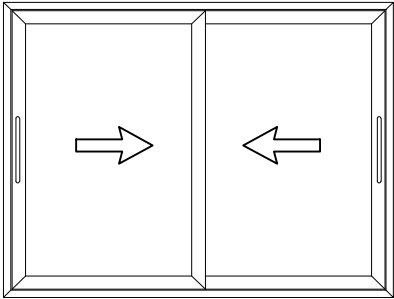
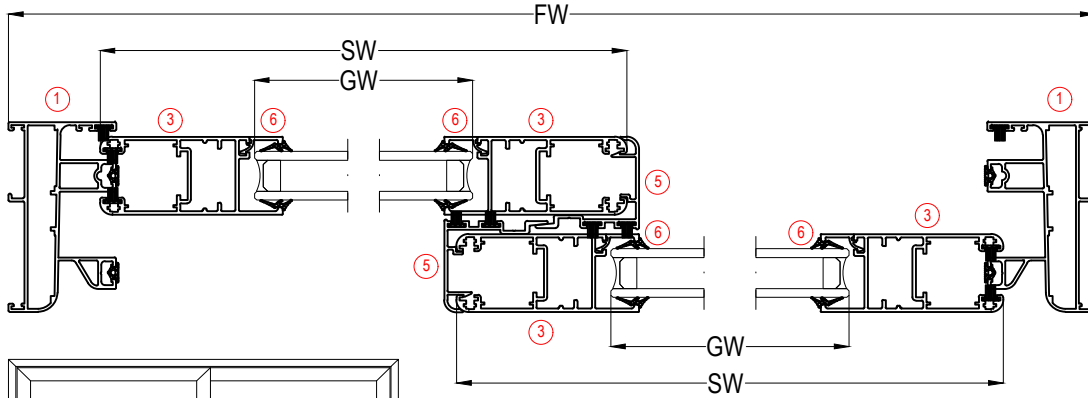
# SL32 - 1,4mm

YALITIMSIZ SÜRME SİSTEMİ  
UNINSULATED SLIDING SYSTEM



## 2 HAREKETLİ KANAT KESİM ÖLÇÜLERİ

### 2 SLIDING SASHES CUTTING SIZE



### CAM KESİM ÖLÇÜLERİ / GLASS CUTTING SIZES (20mm İÇİN)

KOD / Code	CAM / Glass	TANIMI / Description	KESİM ÖLÇÜSÜ / Cutting Dimensions
SL32 11 SL32 12	GW	CAM GENİŞLİK / Sash Glass Width	GW = SW-124 mm
SL32 11 SL32 12	GH	CAM YÜKSEKLİK / Sash Glass Height	GH = SH-124 mm

### HAVUZLU KOL KULLANIM AKSESUARLAR / ACCESSORIES FOR EMBEDDED HANDLES

2 Adet / Pcs	ASI-SH 007		HAVUZ KOL / Embedded Handle	
2 Takım / Set	ASI-SH 007K		HAVUZLU KOL KARŞILIĞI / Embedded Handle Strike	

### İSPANYOLET KİLİTLEME İÇİN AKSESUARLAR / ACCESSORIES FOR MULTI POINT LOCKING

MİKTAR / Unit	KOD / Code	PROFİL ÇİZİMİ / Drawing	PROFİL TANIMI / Description	KESİM ÖLÇÜSÜ / Cutting Dimensions
2 Adet / Pcs	ASI-ISP 15.3		İSPANYOLET KİLİTLEME / Multi Point Lock	
6 Adet / Pcs	ASI-ISP K03		İSPANYOLET KİLİT KARŞILIĞI / Multi Point Strike	
2 Adet / Pcs	ASI-WH 002		İSPANYOLET KİLİTLEME KOL / Window Handle	
2 Adet / Pcs	SL32 44		İSPANYOLET KİLİTLEME ADAPTORU / Multi Lock Adapter Profile	600 mm

### PROFİLLER / PROFILES

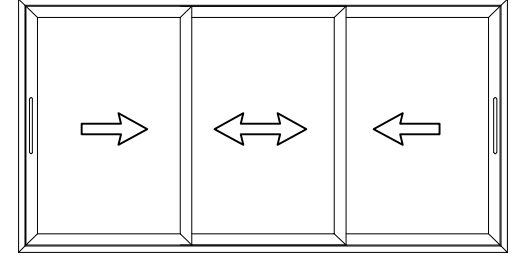
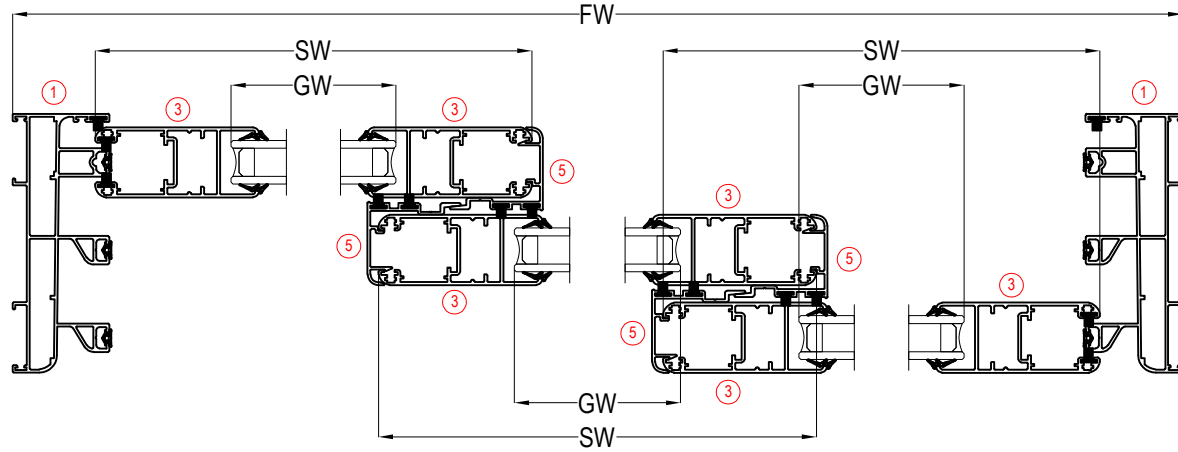
NO / Number	ADET / Unit	KOD / Code	PROFİL ÇİZİMİ / Drawing	PROFİL TANIMI / Description	KESİM ÖLÇÜSÜ / Cutting Dimensions
1	2	SL32 01 SL32 02		DÜŞEY KASA PROFİLİ / Vertical Frame Profile	FH
2	2	SL32 01 SL32 02		YATAY KASA PROFİLİ / Horizontal Frame Profile	FW
3	4	SL32 11 SL32 12		DÜŞEY KANAT PROFİLİ / Vertical Sash Profile	SH=FH - 75,4mm
4	4	SL32 11 SL32 12		YATAY KANAT PROFİLİ / Horizontal Sash Profile	SW=FW/2 - 2,7mm
5	2	SL32 41		KENET PROFİLİ / Central Locking Profile	SH-30mm
6	4	SL32 1103 SL32 1113 SL32 1117		DÜŞEY CAM ÇITASI (SL32 12 kanat için) / Vertical Glazing Bead	G1=SH-150mm
7	4	SL32 1103 SL32 1113 SL32 1117		YATAY CAM ÇITASI (SL32 12 kanat için) / Horizontal Glazing Bead	G2=SW-122,8mm
8	2	ASI-INR 01		ÇELİK RAY PROFİLİ / Steel Rail Profile	FW - 88,4mm

### FİTİLLER / GASKETS

MİKTAR / Unit	KOD / Code	PROFİL ÇİZİMİ / Drawing	PROFİL TANIMI / Description	KESİM ÖLÇÜSÜ / Cutting Dimensions
mt	EP2-02		CAM FİTİLİ / Glazing Gasket	(8xSH)+(8xSW)
mt	INT1-03		KASA RAY KAPAMA FİTİLİ / Frame Rail Cover Gasket	(4xFH)+(2xFW)
mt	KF 67-550		FİRÇA FİTİL / Brush Gasket - 5,5 mm	(8xSH)+(8xSW)+(2xFH)+(2xFW)

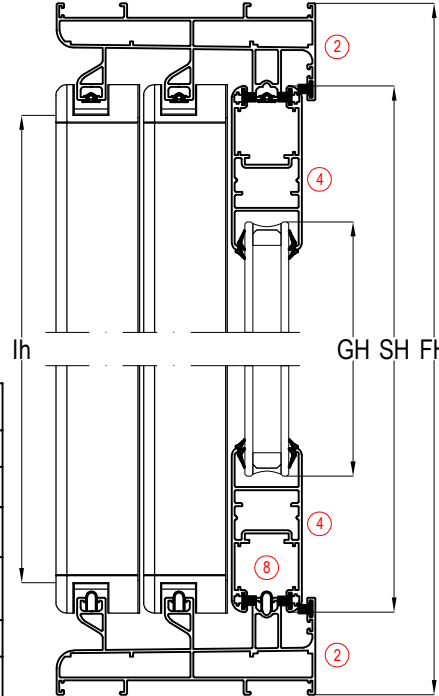
### AKSESUARLAR / ACCESSORIES

2 Adet / Pcs	ASI-SFP 01		HAVA KESİCİ - ALT/ÜST / Central Sealing Top/Bottom	
4 Adet / Pcs	ASI-STP 03		KANAT STOPER / Sash Stopper	
4 Adet / Pcs	ASI-SR 02R		AYARLI ÇİFTLİ RULMAN / Double Sliding Roller	
2 Takım / Set	SL32 KP		KENET KAPAĞI - ALT/ÜST / Interlock Profile Cap Top/Bottom	
8 Adet / Pcs	ASI-PB 1126		KÖŞE PİMLİ BAĞLANTI / Corner Joint Pin (Kanat-Sash)	
8 Adet / Pcs	ASI-PB 1126 ASI-KT 1126		KÖŞE TAKOZU veya PİMLİ BAĞLANTI / Corner Joint Pres or Pin (Kasa - Frame)	
28 Adet / Pcs	ASI-SB 19		KÖŞE GÖNYESİ / Corner Alignment	

3 LÜ KANAT KESİM ÖLÇÜLERİ  
3 SLIDING SASH CUTTING SIZES

CAM KESİM ÖLÇÜLERİ / GLASS CUTTING SIZES (20mm İÇİN)			
KOD / Code	CAM / Glass	TANIMI / Description	KESİM ÖLÇÜSÜ / Cutting Dimensions
SL32 11 SL32 12	GW	CAM GENİŞLİK / Sash Glass Width	GW = SW-124 mm
SL32 11 SL32 12	GH	CAM YÜKSEKLİK / Sash Glass Height	GH = SH-124 mm

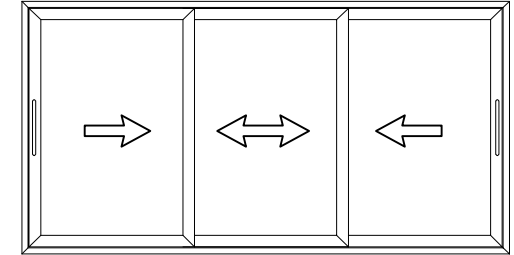
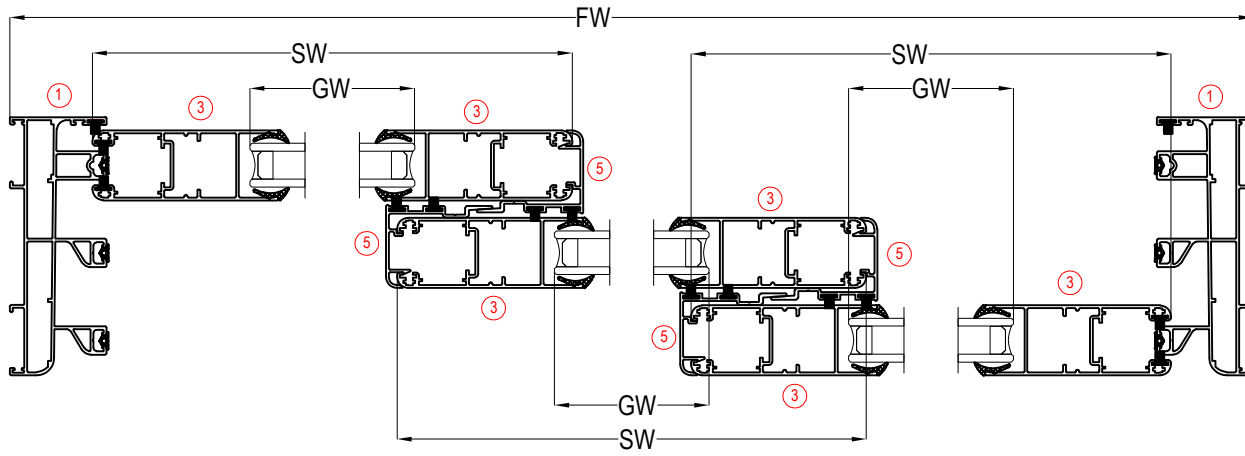
HAVUZLU KOL KULLANIM AKSESUARLAR / ACCESSORIES FOR EMBEDDED HANDLES				
2 Adet / Pcs	ASI-SH 007		HAVUZ KOL / Embedded Handle	
2 Takım / Set	ASI-SH 007K		HAVUZLU KOL KARŞILIK / Embedded Handle Strike	
İSPANYOLET KİLİTLEME İÇİN AKSESUARLAR / ACCESSORIES FOR MULTI POINT LOCKING				
MİKTAR / Unit	KOD / Code	PROFİL ÇİZİMİ / Drawing	PROFİL TANIMI / Description	KESİM ÖLÇÜSÜ / Cutting Dimensions
2 Adet / Pcs	ASH-SP 15.3		İSPANYOLET KİLİTLEME / Multi Point Lock	
6 Adet / Pcs	ASI-ISP K03		İSPANYOLET KİLİT KARŞILIĞI / Multi Point Strike	
2 Adet / Pcs	ASI-WH 002		İSPANYOLET KİLİTLEME KOL / Window Handle	
2 Adet / Pcs	SL32 44		İSPANYOLET KİLİTLEME ADAPTORU / Multi Lock Adapter Profile	600 mm



PROFİLLER / PROFILES					
NO / Number	ADET / Unit	KOD / Code	PROFİL ÇİZİMİ / Drawing	PROFİL TANIMI / Description	KESİM ÖLÇÜSÜ / Cutting Dimensions
1	2	SL32 03		DÜŞEY KASA PROFİLİ / Vertical Frame Profile	FH
2	2	SL32 03		YATAY KASA PROFİLİ / Horizontal Frame Profile	FW
3	6	SL32 11 SL32 12		DÜŞEY KANAT PROFİLİ / Vertical Sash Profile	SH=FW - 75,4mm
4	6	SL32 11 SL32 12		YATAY KANAT PROFİLİ / Horizontal Sash Profile	ΔW=FW/3 + 22,2mm
5	4	SL32 41		KENET PROFİLİ / Central Locking Profile	SH-30mm
6	6	SL32 1103 SL32 1113 SL32 1117		DÜŞEY CAM ÇİTASI (SL32 12 kanat için) / Vertical Glazing Bead	G1=SH-150mm
7	6	SL32 1103 SL32 1113 SL32 1117		YATAY CAM ÇİTASI (SL32 12 kanat için) / Horizontal Glazing Bead	G2=SW-123mm
8	3	ASH-NR 01		ÇELİK RAY PROFİLİ / Steel Rail Profile	FW-88,4mm

FİTİLLER / GASKETS				
MİKTAR / Unit	KOD / Code	PROFİL ÇİZİMİ / Drawing	PROFİL TANIMI / Description	KESİM ÖLÇÜSÜ / Cutting Dimensions
mt	EP2-01		CAM FİTİLİ / Glazing Gasket	(12xSH)+(12xSW)
mt	INT1-03		KASA RAY KAPAMA FİTİLİ / Frame Rail Cover Gasket	(6xFH)+(3xFW)
mt	KF 67-550		FİRÇA FİTİL / Brush Gasket - 5.5 mm	(12xSH)+(12xSW)+(2xFH)+(2xFW)

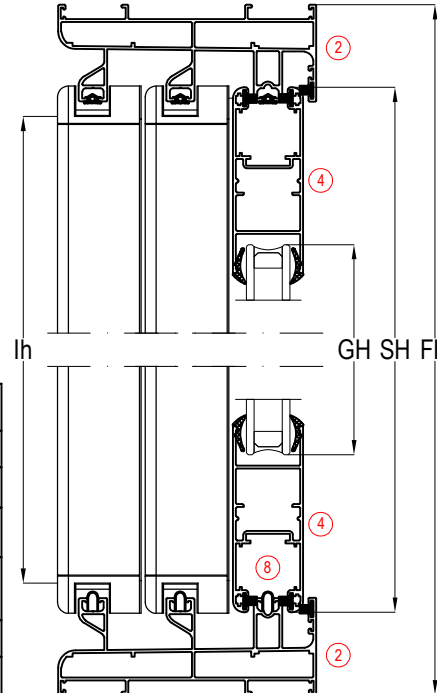
AKSESUARLAR / ACCESSORIES				
4 Adet / Pcs	ASI-SFP 01		HAVA KESİCİ - ALT/ÜST / Central Sealing Top/Bottom	
4 Adet / Pcs	ASI STP 03		KANAT STOPER / Sash Stopper	
6 Adet / Pcs	ASI-SR 02R		AYARLI ÇİFTLİ RULMAN / Double Sliding Roller	
4 Takım / Set	SL32 KP		KENET KAPAĞI - ALT/ÜST / Interlock Profile Cap Top/Bottom	
12 Adet / Pcs	ASI-PB 1126		KÖŞE PİMLİ BAĞLANTI / Corner Joint Pin (Kanat-Sash)	
12 Adet / Pcs	ASI-PB 1126 ASI-KT 1126		KÖŞE TAKOZU veya PİMLİ BAĞLANTI / Corner Joint Pres or Pin (Kasa - Frame)	
36 Adet / Pcs	ASI-SB 19		KÖŞE GÖNYESİ / Corner Alignment	

3 LÜ KANAT KESİM ÖLÇÜLERİ  
3 SLIDING SASH CUTTING SIZES

PROFİLLER / PROFILES					
NO / Number	ADET / Unit	KOD / Code	PROFİL ÇİZİMİ / Drawing	PROFİL TANIMI / Description	KESİM ÖLÇÜSÜ / Cutting Dimensions
1	2	SL32 03		DÜŞEY KASA PROFİLİ / Vertical Frame Profile	FH
2	2	SL32 03		YATAY KASA PROFİLİ / Horizontal Frame Profile	FW
3	6	SL32 13D SL32 14D		DÜŞEY KANAT PROFİLİ / Vertical Sash Profile	SH=FW - 75,4mm
4	6	SL32 13D SL32 14D		YATAY KANAT PROFİLİ / Horizontal Sash Profile	SW=FW/3 + 28,3mm
5	4	SL32 46D		KENET PROFİLİ / Central Locking Profile	SH-30mm
8	3	ASI-INR 01		ÇELİK RAY PROFİLİ / Steel Rail Profile	FW-88,4mm

CAM KESİM ÖLÇÜLERİ / GLASS CUTTING SIZES (20mm İÇİN)			
KOD / Code	CAM / Glass	TANIMI / Description	KESİM ÖLÇÜSÜ / Cutting Dimensions
SL32 13D SL32 14D	GW	CAM GENİŞLİK / Sash Glass Width	GW = SW-144 mm
SL32 13D SL32 14D	GH	CAM YÜKSEKLİK / Sash Glass Height	GH = SH-144 mm

HAVUZLU KOL KULLANIM AKSESUARLAR / ACCESSORIES FOR EMBEDDED HANDLES				
2 Adet / Pcs	ASI-SH 007		HAVUZ KOL / Embedded Handle	
2 Takım / Set	ASI-SH 007K		HAVUZLU KOL KARŞILIK / Embedded Handle Strike	
İSPANYOLET KİLİTLEME İÇİN AKSESUARLAR / ACCESSORIES FOR MULTI POINT LOCKING				
MİKTAR / Unit	KOD / Code	PROFİL ÇİZİMİ / Drawing	PROFİL TANIMI / Description	KESİM ÖLÇÜSÜ / Cutting Dimensions
2 Adet / Pcs	ASI-ISP 15.3		İSPANYOLET KİLİTLEME / Multi Point Lock	
6 Adet / Pcs	ASI-ISP K03		İSPANYOLET KİLİT KARŞILIĞI / Multi Point Strike	
2 Adet / Pcs	ASI-WH 002		İSPANYOLET KİLİTLEME KOL / Window Handle	
2 Adet / Pcs	SL32 44		İSPANYOLET KİLİTLEME ADAPTORU / Multi Lock Adapter Profile	600 mm

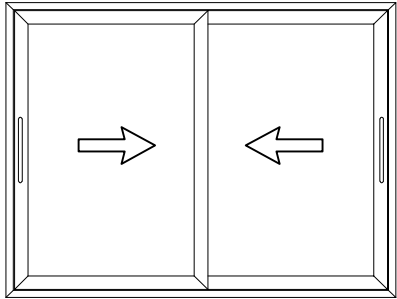
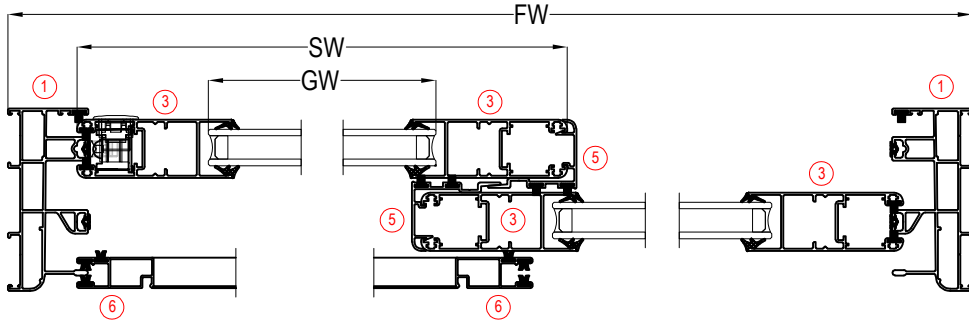


FİTİLLER / GASKETS				
MİKTAR / Unit	KOD / Code	PROFİL ÇİZİMİ / Drawing	PROFİL TANIMI / Description	KESİM ÖLÇÜSÜ / Cutting Dimensions
mt	EP2-01		CAM FİTİLİ / Glazing Gasket	(12xSH)+(12xSW)
mt	INT1-03		KASA RAY KAPAMA FİTİLİ / Frame Rail Cover Gasket	(6xFH)+(3xFW)
mt	KF 67-550		FİRÇA FİTİL / Brush Gasket - 5,5 mm	(12xSH)+(12xSW)+(2xFH)+(2xFW)

AKSESUARLAR / ACCESSORIES				
4 Adet / Pcs	ASI-SFP 01		HAVA KEŞİCİ - ALT/ÜST / Central Sealing Top/Bottom	
4 Adet / Pcs	ASI STP 03		KANAT STOPER / Sash Stopper	
6 Adet / Pcs	ASI-SR 02R		AYARLI ÇİFTLİ RULMAN / Double Sliding Roller	
4 Takım / Set	SL32 KP		KENET KAPAĞI - ALT/ÜST / Interlock Profile Cap Top/Bottom	
20 Adet / Pcs	ASI-PB 1126		KÖŞE PİMLİ BAĞLANTI / Corner Joint Pin (Kanat-Sash)	
20 Adet / Pcs	ASI-PB 1126 ASI-KT 1126		KÖŞE TAKOZU veya PİMLİ BAĞLANTI / Corner Joint Pres or Pin (Kasa - Frame)	
36 Adet / Pcs	ASI-SB 19		KÖŞE GÖNYESİ / Corner Alignment	

## 2 HAREKETLİ KANAT KESİM ÖLÇÜLERİ

### 2 SLIDING SASHES CUTTING SIZE



#### CAM KESİM ÖLÇÜLERİ / GLASS CUTTING SIZES (24mm İÇİN)

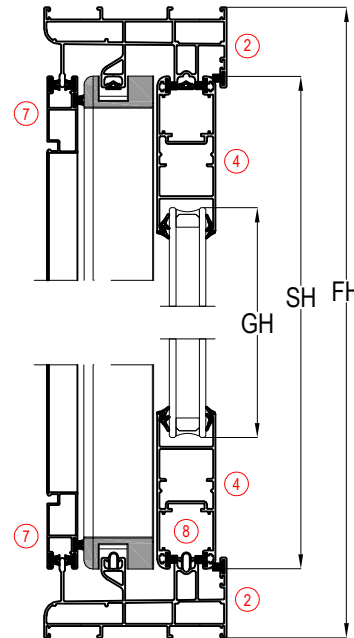
KOD / Code	CAM / Glass	TANIMI / Description	KESİM ÖLÇÜSÜ / Cutting Dimensions
SL32 13D	GW	CAM GENİŞLİK / Sash Glass Width	GW = SW-144 mm
SL32 13D	GH	CAM YÜKSEKLİK / Sash Glass Height	GH = SH-144 mm

#### HAVUZLU KOL KULLANIM AKSESUARLAR / ACCESSORIES FOR EMBEDDED HANDLES

2 Adet / Pcs	ASI-SH 007		HAVUZ KOL / Embedded Handle	
2 Takım / Set	ASI-SH 007K		HAVUZLU KOL KARŞILIK / Embedded Handle Strike	

#### İSPANYOLET KİLİTLEME İÇİN AKSESUARLAR / ACCESSORIES FOR MULTI POINT LOCKING

MİKTAR / Unit	KOD / Code	PROFİL ÇİZİMİ / Drawing	PROFİL TANIMI / Description	KESİM ÖLÇÜSÜ / Cutting Dimensions
2 Adet / Pcs	ASI-ISP 15.3		İSPANYOLET KİLİTLEME / Multi Point Lock	
6 Adet / Pcs	ASI-ISP K03		İSPANYOLET KİLİT KARŞILIĞI / Multi Point Strike	
2 Adet / Pcs	ASI-WH 002		İSPANYOLET KİLİTLEME KOL / Window Handle	
2 Adet / Pcs	SL32 44		İSPANYOLET KİLİTLEME ADAPTÖRÜ / Multi Lock Adapter Profile	600 mm



#### PROFİLLER / PROFILES

NO / Number	ADET / Unit	KOD / Code	PROFİL ÇİZİMİ / Drawing	PROFİL TANIMI / Description	KESİM ÖLÇÜSÜ / Cutting Dimensions
1	2	SL32 05D		DÜŞEY KASA PROFİLİ / Vertical Frame Profile	FH
2	2	SL32 05D		YATAY KASA PROFİLİ / Horizontal Frame Profile	FW
3	4	SL32 13D		DÜŞEY KANAT PROFİLİ / Vertical Sash Profile	SH=FH-75.6
4	4	SL32 13D		YATAY KANAT PROFİLİ / Horizontal Sash Profile	SW=FW/2+2.2mm
5	2	SL32 46D		KENET PROFİLİ / Central Locking Profile	SH-30mm
6	2	15-304216-09		DÜŞEY SİNEKLİK KANAT PROFİLİ / Vertical Fly Screen Sash Profile	SH
7	2	15-304216-09		YATAY SİNEKLİK KANAT PROFİLİ / Horizontal Fly Screen Sash Profile	SW - 20mm
8	2	ASH-INR 01		ÇELİK RAY PROFİLİ / Steel Rail Profile	FW-88mm

#### FİTİLLER / GASKETS

MİKTAR / Unit	KOD / Code	PROFİL ÇİZİMİ / Drawing	PROFİL TANIMI / Description	KESİM ÖLÇÜSÜ / Cutting Dimensions
mt	EP2-01		CAM FİTİLİ / Glazing Gasket	(8xSH)+(8xSW)
mt	EP2-02		CAM FİTİLİ / Glazing Gasket	(8xSH)+(8xSW)
mt	INT1-03		KASA RAY KAPAMA FİTİLİ / Frame Rail Cover Gasket	(4xFH)+(2xFW)
mt	KF 67-550		FİRÇA FİTİL / Brush Gasket - 5,5 mm	(8xSH)+(8xSW)+(2xFH)+(2xFW)
mt	KF 67-600		FİRÇA FİTİL / Brush Gasket - 6 mm	-

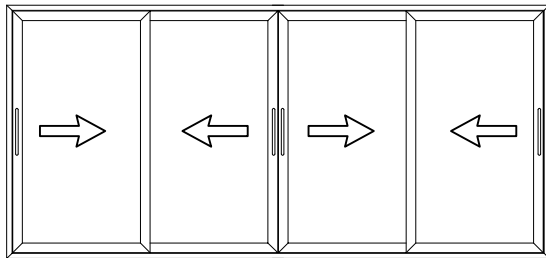
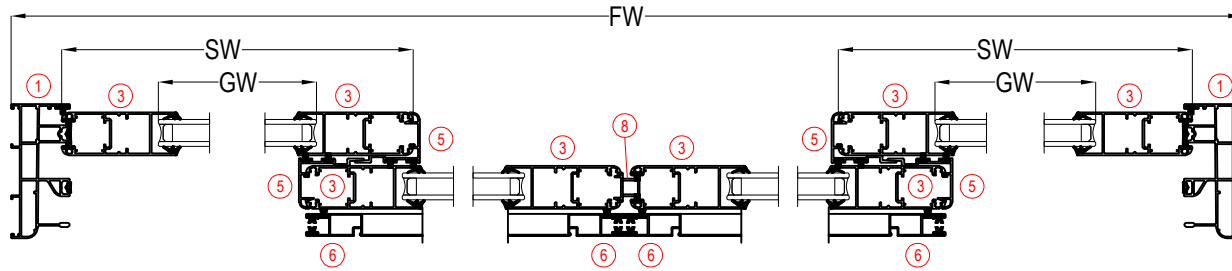
#### AKSESUARLAR / ACCESSORIES

2 Adet / Pcs	ASI-SFP 01		HAVA KESİCİ - ALT/ÜST / Central Sealing Top/Bottom	
4 Adet / Pcs	ASI STP 03		KANAT STOPER / Sash Stopper	
4 Adet / Pcs	ASI-SR 02R		AYARLI ÇİFTLİ RULMAN / Double Sliding Roller	
2 Takım / Set	SL32 KP02		KENET KAPAĞI - ALT/ÜST / Interlock Profile Cap Top/Bottom	
8 Adet / Pcs	ASI-PB 1126		KÖŞE PİMLİ BAĞLANTI / Corner Joint Pin (Kanat-Sash)	
8 Adet / Pcs	ASI-PB 1126 ASI-KT 1126		KÖŞE TAKOZU veya PİMLİ BAĞLANTI / Corner Joint Pres or Pin (Kasa - Frame)	
28 Adet / Pcs	ASI-SB 19		KÖŞE GÖNYESİ / Corner Alignment	
2 Adet / Pcs	ASI-BZ 5060		SİNEKLİK KANAT RULMANI / Fly Screen Sash Roller	
4 Adet / Pcs	ASI-BZ 5007		SİNEKLİK KÖŞE TAKOZU / Fly Screen Corner Joint	



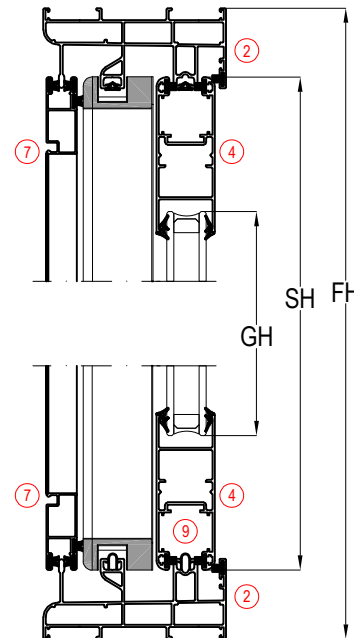
## 4 LÜ KANAT KESİM ÖLÇÜLERİ

## 4 SLIDING SASH CUTTING SIZES



## CAM KESİM ÖLÇÜLERİ / GLASS CUTTING SIZES (24mm İÇİN)

KOD / Code	CAM / Glass	TANIMI / Description	KESİM ÖLÇÜSÜ / Cutting Dimensions
SL32 13D	GW	CAM GENİŞLİK / Sash Glass Width	GW = SW-144 mm
SL32 13D	GH	CAM YÜKSEKLİK / Sash Glass Height	GH = SH-144 mm



## HAVUZLU KOL KULLANIM AKSESUARLAR / ACCESSORIES FOR EMBEDDED HANDLES

3 Adet / Pcs	ASI-SH 007		HAVUZ KOL / Embedded Handle	
3 Takım / Set	ASI-SH 007K		HAVUZLU KOL KARŞILIK / Embedded Handle Strike	

## İSPANYOLET KİLİTLEME İÇİN AKSESUARLAR / ACCESSORIES FOR MULTI POINT LOCKING

MİKTAR / Unit	KOD / Code	PROFİL ÇİZİMİ / Drawing	PROFİL TANIMI / Description	KESİM ÖLÇÜSÜ / Cutting Dimensions
3 Adet / Pcs	ASI-ISP 15.3		İSPANYOLET KİLİTLEME / Multi Point Lock	
9 Adet / Pcs	ASI-ISP K03		İSPANYOLET KİLİT KARŞILIĞI / Multi Point Strike	
3 Adet / Pcs	ASI-WH 002		İSPANYOLET KİLİTLEME KOL / Window Handle	
3 Adet / Pcs	SL32 44		İSPANYOLET KİLİTLEME ADAPTÖRÜ / Multi Lock Adapter Profile	600 mm

## PROFİLLER / PROFILES

NO / Number	ADET / Unit	KOD / Code	PROFİL ÇİZİMİ / Drawing	PROFİL TANIMI / Description	KESİM ÖLÇÜSÜ / Cutting Dimensions
1	2	SL32 05D		DÜŞEY KASA PROFİLİ / Vertical Frame Profile	FH
2	2	SL32 05D		YATAY KASA PROFİLİ / Horizontal Frame Profile	FW
3	8	SL32 13D		DÜŞEY KANAT PROFİLİ / Vertical Sash Profile	SH=FH-75.6
4	8	SL32 13D		YATAY KANAT PROFİLİ / Horizontal Sash Profile	SW=FW/4+19,8mm
5	4	SL32 46D		KENET PROFİLİ / Central Locking Profile	SH-30mm
6	2	15-304216-09		DÜŞEY SİNEKLİK KANAT PROFİLİ / Vertical Fly Screen Sash Profile	SH
7	2	15-304216-09		YATAY SİNEKLİK KANAT PROFİLİ / Horizontal Fly Screen Sash Profile	SW+19,4mm
8	1	SL32 43		ADAPTÖR PROFİLİ / Adapter Profile	SH - 20mm
9	2	ASH-INR 01		ÇELİK RAY PROFİLİ / Steel Rail Profile	FW-88mm

## FİTİLLER / GASKETS

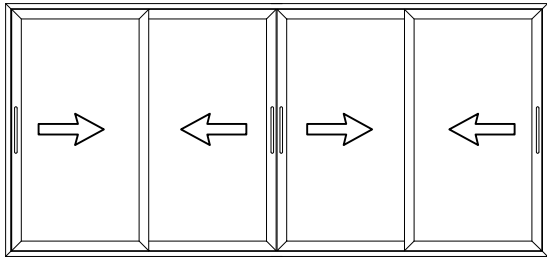
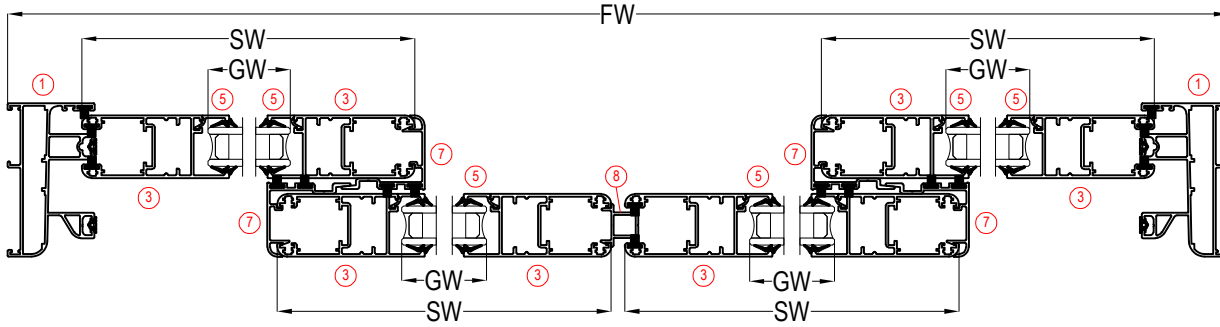
MİKTAR / Unit	KOD / Code	PROFİL ÇİZİMİ / Drawing	PROFİL TANIMI / Description	KESİM ÖLÇÜSÜ / Cutting Dimensions
mt	EP2-01		CAM FİTİLİ / Glazing Gasket	(16xSH)+(16xSW)
mt	EP2-02		CAM FİTİLİ / Glazing Gasket	(16xSH)+(16xSW)
mt	INT1-03		KASA RAY KAPAMA FİTİLİ / Frame Rail Cover Gasket	(4xFH)+(2xFW)
mt	KF 67-550		FİRÇA FİTİL / Brush Gasket - 5,5 mm	(26xSH)+(40xSW)+(2xFH)+(2xFW)
mt	KF 67-600		FİRÇA FİTİL / Brush Gasket - 6 mm	-

## AKSESUARLAR / ACCESSORIES

4 Adet / Pcs	ASI-SFP 01		HAVA KESİCİ - ALT/ÜST / Central Sealing Top/Bottom	
6 Adet / Pcs	ASI-STP 03		KANAT STOPER / Sash Stopper	
8 Adet / Pcs	ASI-SR 02R		AYARLI ÇİFTLİ RULMAN / Double Sliding Roller	
4 Takım / Set	SL32 KP02		KENET KAPAĞI - ALT/ÜST / Interlock Profile Cap Top/Bottom	
16 Adet / Pcs	ASI-PB 1126		KÖŞE PİMLİ BAĞLANTI / Corner Joint Pin (Kanat-Sash)	
8 Adet / Pcs	ASI-PB 1126 ASI-KT 1126		KÖŞE TAKOZU veya PİMLİ BAĞLANTI / Corner Joint Pres or Pin (Kasa - Frame)	
44 Adet / Pcs	ASI-SB 19		KÖŞE GÖNYESİ / Corner Alignment	
4 Adet / Pcs	ASI-BZ 5060		SİNEKLİK KANAT RULMANI / Fly Screen Sash Roller	
8 Adet / Pcs	ASI-BZ 5007		SİNEKLİK KÖŞE TAKOZU / Fly Screen Corner Joint	

## 4 LÜ KANAT KESİM ÖLÇÜLERİ

## 4 SLIDING SASH CUTTING SIZES



## CAM KESİM ÖLÇÜLERİ / GLASS CUTTING SIZES (20mm İÇİN)

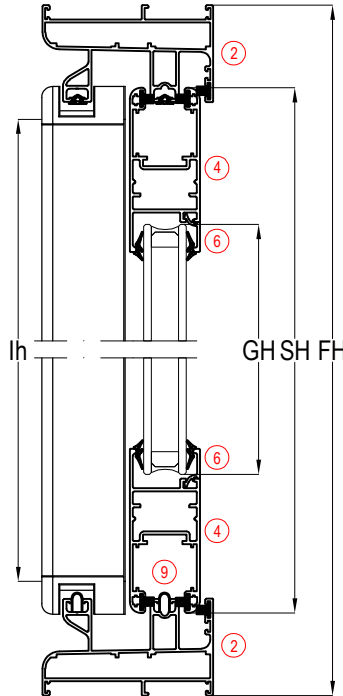
KOD / Code	CAM / Glass	TANIMI / Description	KESİM ÖLÇÜSÜ / Cutting Dimensions
SL32 11 SL32 12	GW	CAM GENİŞLİK / Sash Glass Width	GW = SW-124 mm
SL32 11 SL32 12	GH	CAM YÜKSEKLİK / Sash Glass Height	GH = SH-124 mm

## HAVUZLU KOL KULLANIM AKSESUARLAR / ACCESSORIES FOR EMBEDDED HANDLES

3 Adet / Pcs	ASI-SH 007		HAVUZ KOL / Embedded Handle
3 Takım / Set	ASI-SH 007K		HAVUZLU KOL KARŞILIK / Embedded Handle Strike

## İSPANYOLET KİLİTLEMÉ İÇİN AKSESUARLAR / ACCESSORIES FOR MULTI POINT LOCKING

MİKTAR / Unit	KOD / Code	PROFİL ÇİZİMİ / Drawing	PROFİL TANIMI / Description	KESİM ÖLÇÜSÜ / Cutting Dimensions
3 Adet / Pcs	ASI-ISP 15.3		İSPANYOLET KİLİTLEMÉ / Multi Point Lock	
9 Adet / Pcs	ASI-ISP K03		İSPANYOLET KİLİT KARŞILIĞI / Multi Point Strike	
3 Adet / Pcs	ASI-WH 002		İSPANYOLET KİLİTLEMÉ KOL / Window Handle	
3 Adet / Pcs	SL32 44		İSPANYOLET KİLİTLEMÉ ADAPTÖRÜ / Multi Lock Adapter Profile	600 mm



## PROFİLLER / PROFILES

NO / Number	ADET / Unit	KOD / Code	PROFİL ÇİZİMİ / Drawing	PROFİL TANIMI / Description	KESİM ÖLÇÜSÜ / Cutting Dimensions
1	2	SL32 01 SL32 02		DÜŞEY KASA PROFİLİ / Vertical Frame Profile	FH
2	2	SL32 01 SL32 02		YATAY KASA PROFİLİ / Horizontal Frame Profile	FW
3	8	SL32 12 SL32 11		DÜŞEY KANAT PROFİLİ / Vertical Sash Profile	SH=FH - 75,5mm
4	8	SL32 12 SL32 11		YATAY KANAT PROFİLİ / Horizontal Sash Profile	SW=FW/4 + 15,4mm
5	6	SL32 1103 SL32 1113 SL32 1117		DÜŞEY CAM ÇITASI (SL32 12 kanat için) / Vertical Glazing Bead	G1=SH-150mm
6	6	SL32 1103 SL32 1113 SL32 1117		YATAY CAM ÇITASI (SL32 12 kanat için) / Horizontal Glazing Bead	G2=SW-123mm
7	4	SL32 41		KENET PROFİLİ / Central Locking Profile	SH-30mm
8	1	SL32 43		ADAPTÖR PROFİLİ / Adapter Profile	SH-20mm
9	2	ASI-IR 01		ÇELİK RAY PROFİLİ / Steel Rail Profile	FW - 88,4mm

## FİTİLLER / GASKETS

MİKTAR / Unit	KOD / Code	PROFİL ÇİZİMİ / Drawing	PROFİL TANIMI / Description	KESİM ÖLÇÜSÜ / Cutting Dimensions
mt	EP2-01		CAM FİTİLİ / Glazing Gasket	(16xSH)+(16xSW)
mt	INT1-03		KASA RAY KAPAMA FİTİLİ / Frame Rail Cover Gasket	(4xFH)+(2xFW)
mt	KF 67-550		FİRÇA FİTİL / Brush Gasket - 5.5 mm	(14xSH)+(16xSW)+(2xFH)+(2xFW)

## AKSESUARLAR / ACCESSORIES

4 Adet / Pcs	ASI-SFP 01		HAVA KESİCİ - ALT/ÜST / Central Sealing Top/Bottom
6 Adet / Pcs	ASI STP 03		KANAT STOPER / Sash Stopper
8 Adet / Pcs	ASI-SR 02R		AYARLI ÇİFTLİ RULMAN / Double Sliding Roller
4 Takım / Set	SL32 KP		KENET KAPAĞI - ALT/ÜST / Interlock Profile Cap Top/Bottom
16 Adet / Pcs	ASI-PB 1126		KÖŞE PİMLİ BAĞLANTI / Corner Joint Pin (Kanat-Sash)
8 Adet / Pcs	ASI-PB 1126 ASI-KT 1126		KÖŞE TAKOZU veya PİMLİ BAĞLANTI / Corner Joint Pres or Pin (Kasa - Frame)
44 Adet / Pcs	ASI-SB 19		KÖŞE GÖNYESİ / Corner Alignment