

SL40 - 1,4mm

YALITIMSIZ SÜRME SİSTEM
UNINSULATED SLIDING SYSTEM

ASISTAL

KESİM VE MONTAJ ÇİZİMLERİ
CUTTING & ASSEMBLY DRAWINGS

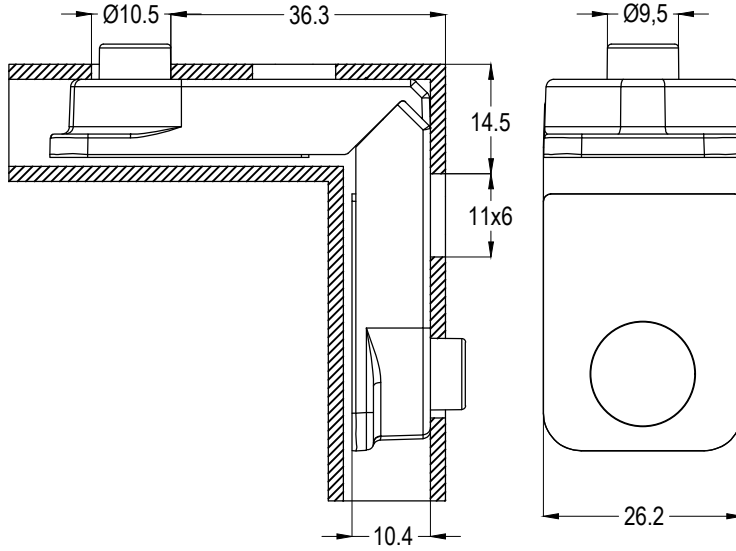
SL40 - 1,4mm

YALITIMSIZ SÜRME SİSTEMİ
UNINSULATED SLIDING SYSTEM

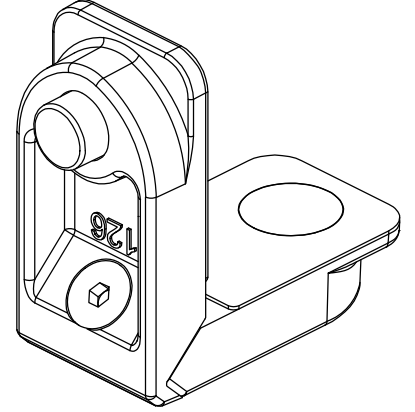
ASISTAL

PİMLİ KÖŞE BAĞLANTI MONTAJI : ASI-PB 1126

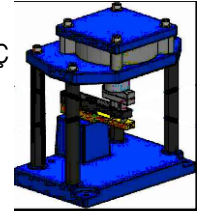
ASSEMBLY FOR PIN CONNECTION : ASI-PB 1126



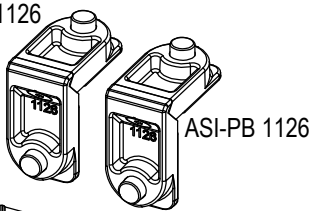
ASI-PB 1126



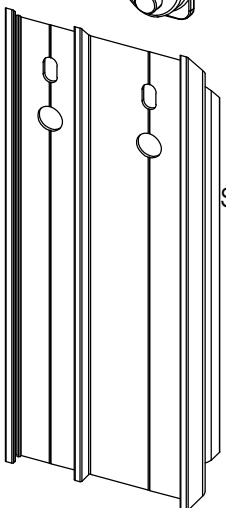
501 EKO PANÇ



ASI-PB 1126

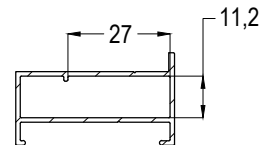
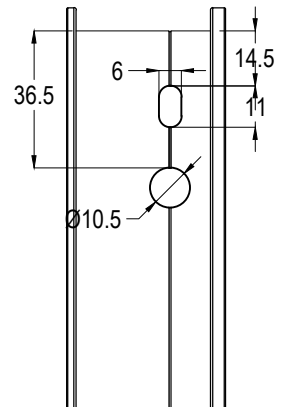
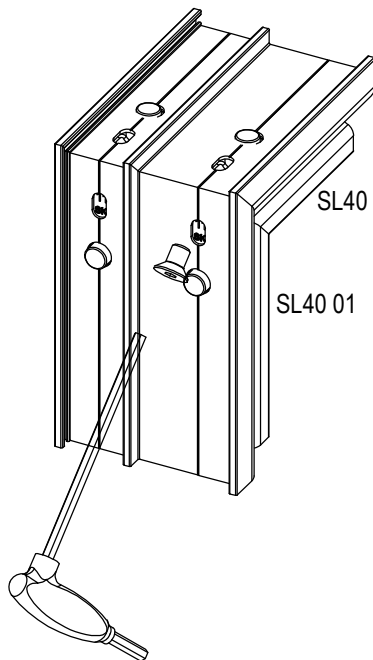


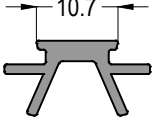
SL40 01



SL40 01

SL40 01



KASA MONTAJI
FRAME ASSEMBLY**SL40 44**

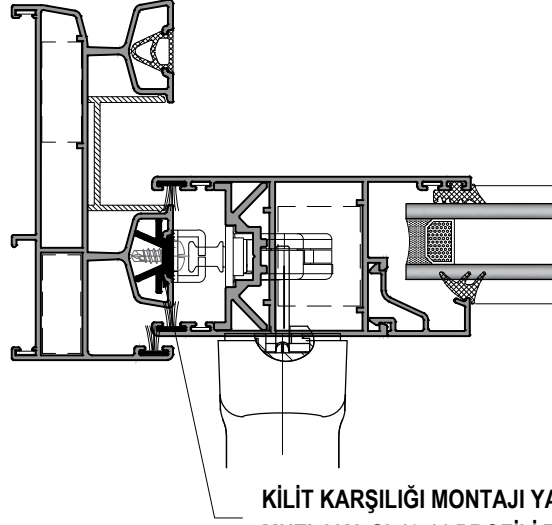
**MAT SİYAH ELOKSAL OLARAK
KULLANILIR, KASAYA SÜRÜLEREK
TAKILIR KÖŞE MONTAJI ÖNCESİ ve
KASA PROFİLİ İLE BERABER 45° KESİLİR**

*That is used as matt black anodized
installation must be done by sliding
to the frame before the frame corner
joint and it cuts with frame profile to be 45°*

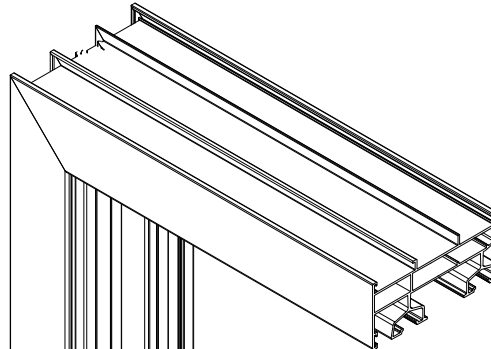
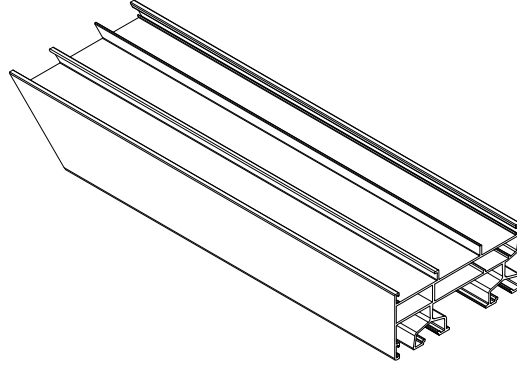
SL40T 01



SL40 44

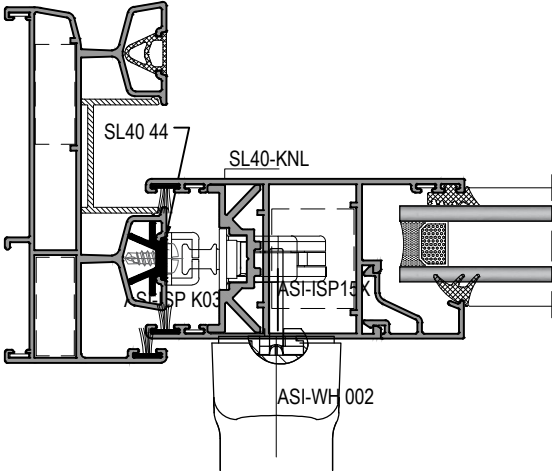


**KİLİT KARŞILIĞI MONTAJI YAPILACAK TARAFTA
MUTLAKA SL40 44 PROFİLİ TAKILMALIDIR**
*You have to use SL40 44 profile
in the frame for locking part*



İSPANYOLET KİLİTLEME : ASI-ISP 15

MULTI POINT LOCKING : ASI-ISP 15

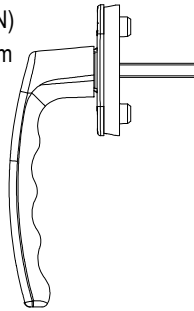


ASI-ISP15.0 (400 mm LİK İSPANYOLET İÇİN)
KANAT YÜKSEKLİĞİ (sash height) < 600mm
SL40-KNL = 400mm X 1 ADET
ASI-ISP K03 = 2 ADET

ASI-ISP15.1 (600 mm LİK İSPANYOLET İÇİN)
KANAT YÜKSEKLİĞİ (sash height) < 1100mm
SL40-KNL = 600mm X 1 ADET
ASI-ISP K03 = 2 ADET

ASI-ISP15.2 (1000mm LİK İSPANYOLET İÇİN)
1900mm < KANAT YÜKSEKLİĞİ (sash height) > 1100m
SL40-KNL = 1000mm X 1 ADET
ASI-ISP K03 = 2 ADET

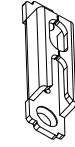
ASI-ISP15.3 (1800mm LİK İSPANYOLET İÇİN)
KANAT YÜKSEKLİĞİ (sash height) > 1900mm
SL40-KNL = 1800mm X 1 ADET
ASI-ISP K03 = 3 ADET



ASI-WH 002

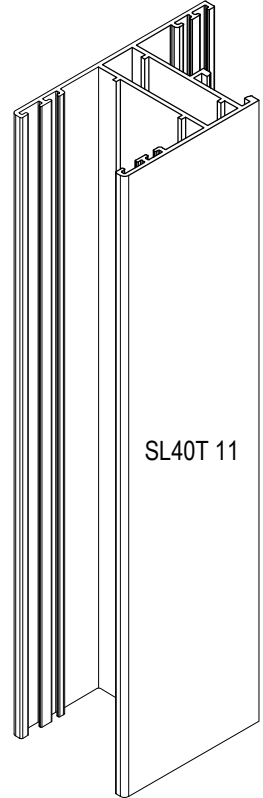
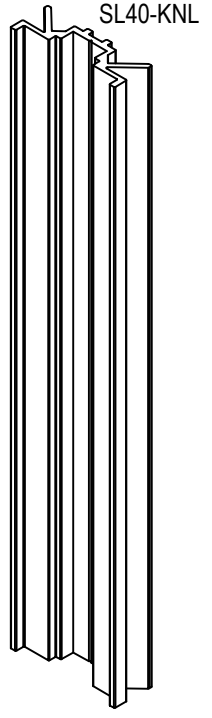
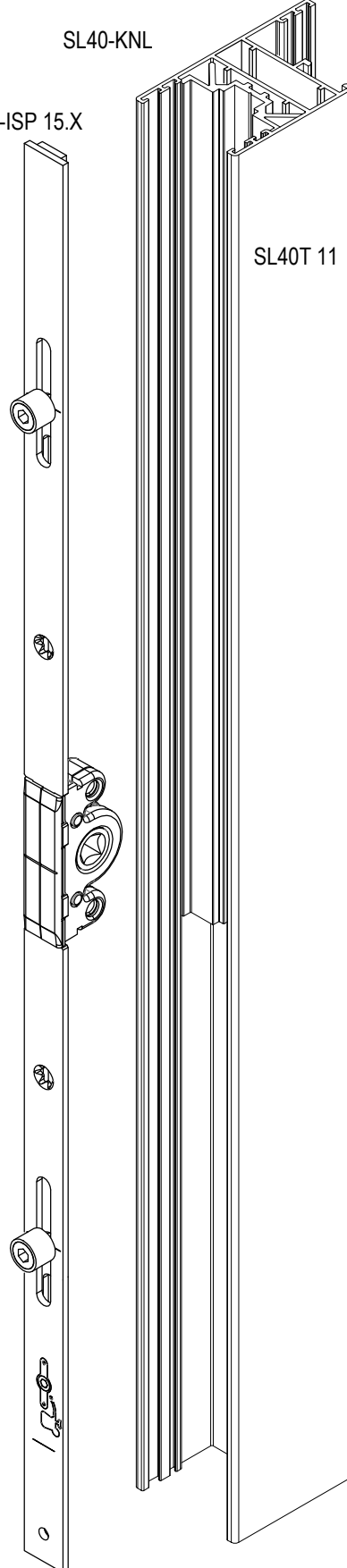


ASI-ISP K03



ASI-ISP K03

ASI-ISP 15.X



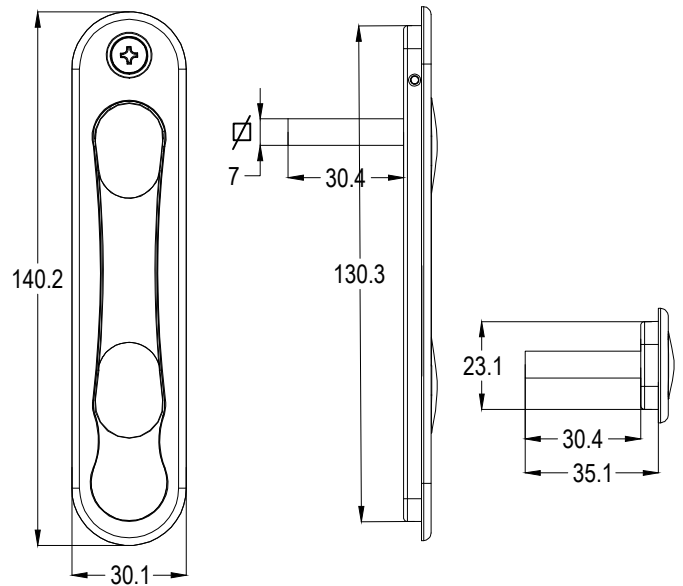
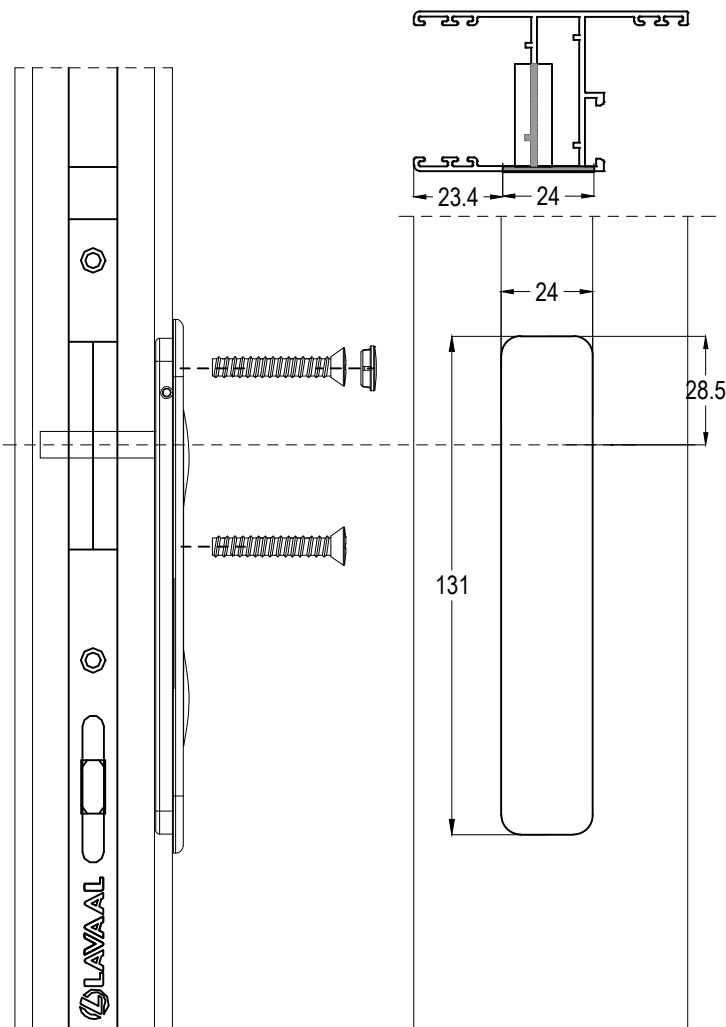
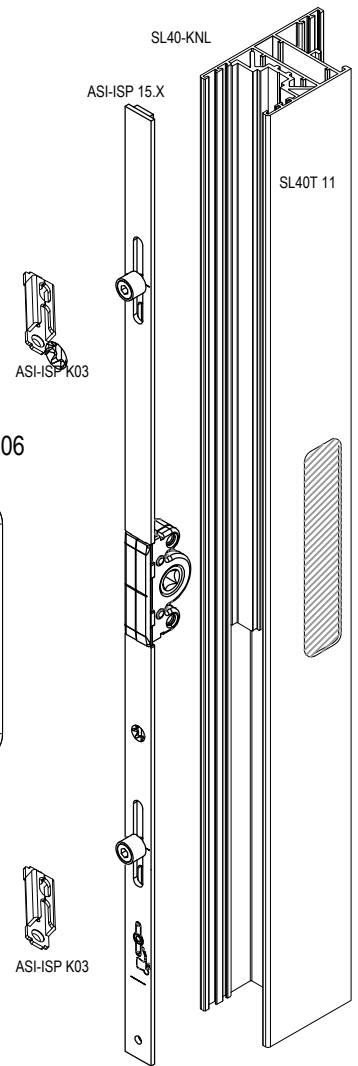
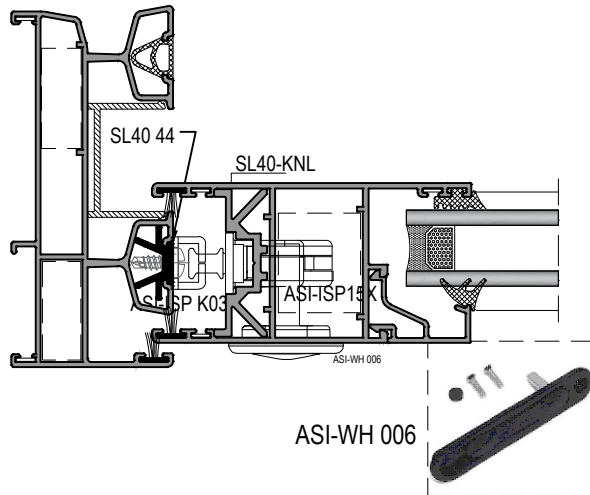
SL40 - 1,4mm

YALITIMSIZ SÜRME SİSTEM
UNINSULATED SLIDING SYSTEM



İSPANYOLET KİLİTLEME : ASI-ISP 15

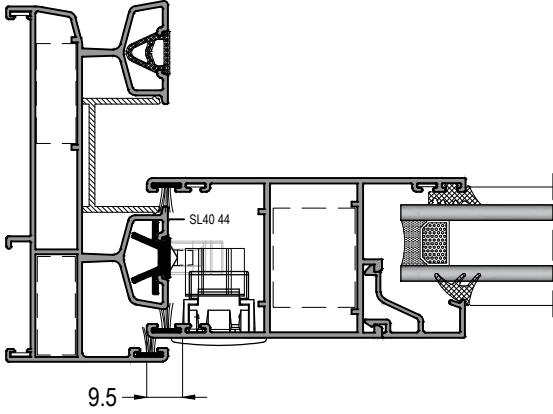
MULTI POINT LOCKING : ASI-ISP 15



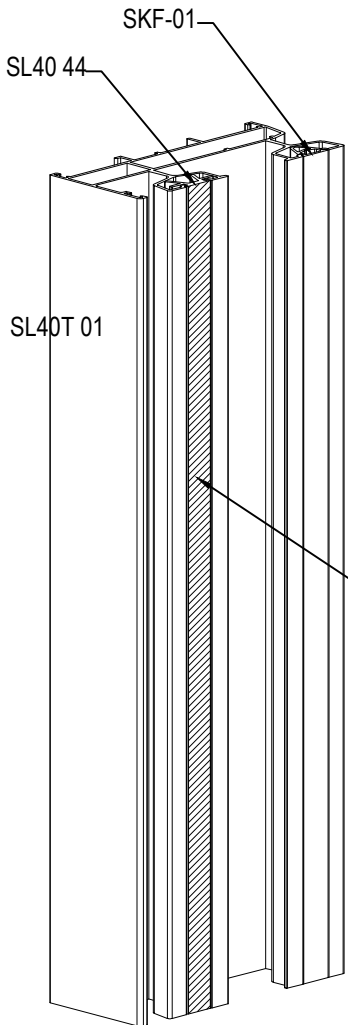
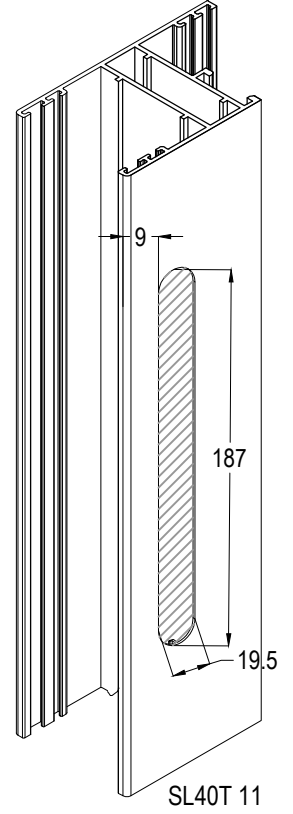
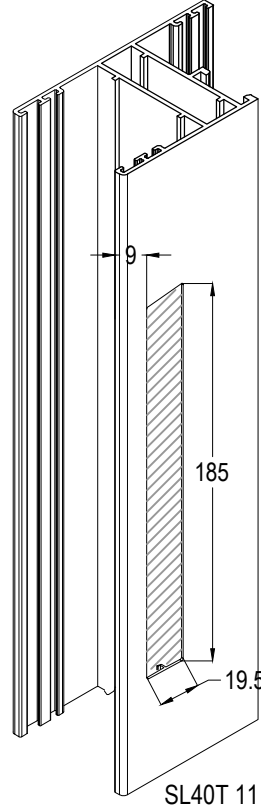
SL40 - 1,4mm

YALITIMSIZ SÜRME SİSTEM
UNINSULATED SLIDING SYSTEM

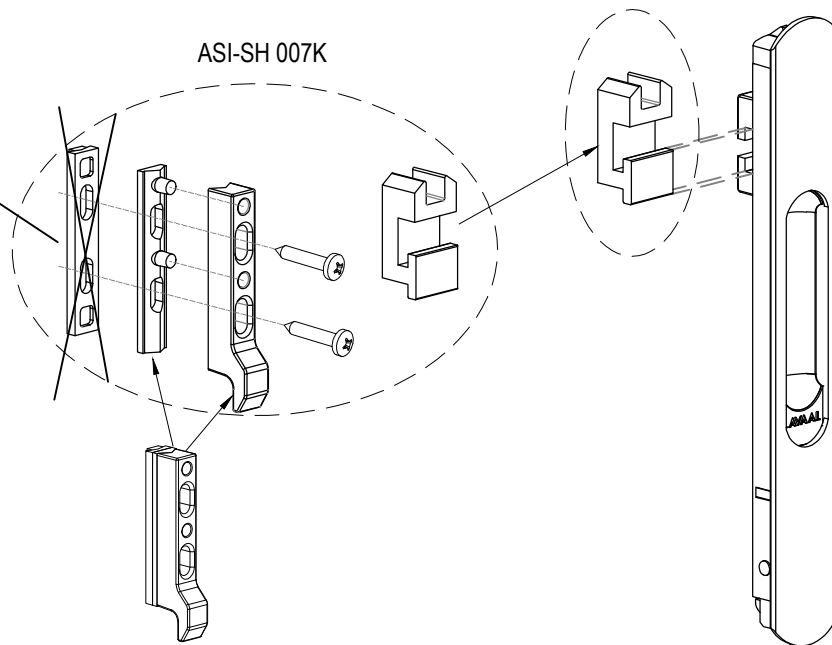
ASISTAL



ASI-SH 007
ASI-SH 007A
ASI-SH 007B
İÇİN KOL YERİ KESİM ÖLÇÜSÜ

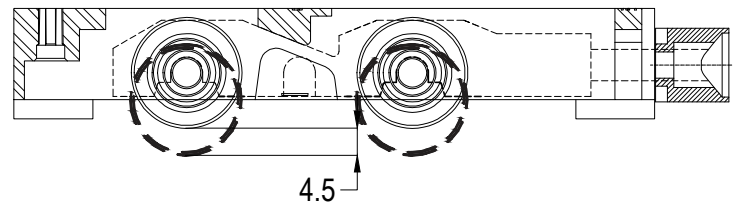
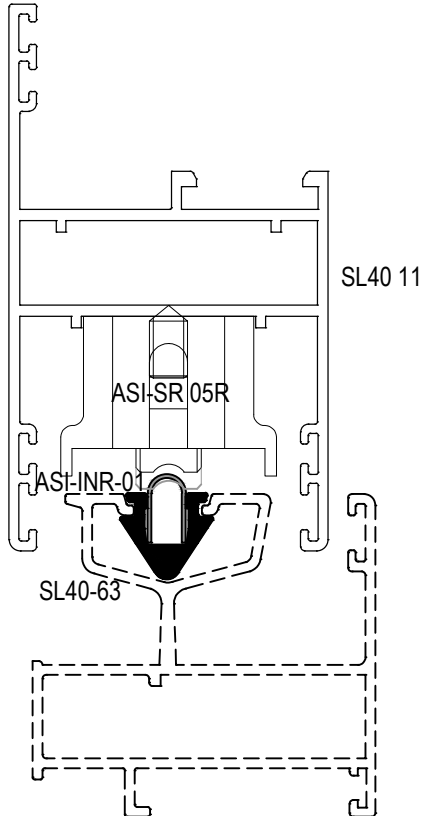
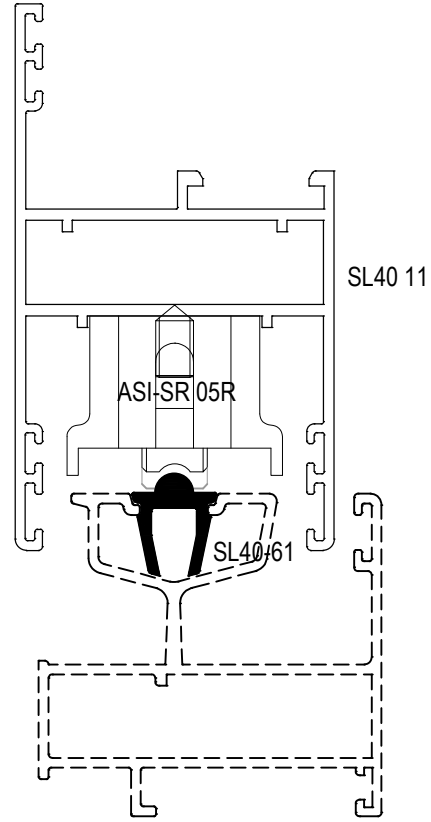
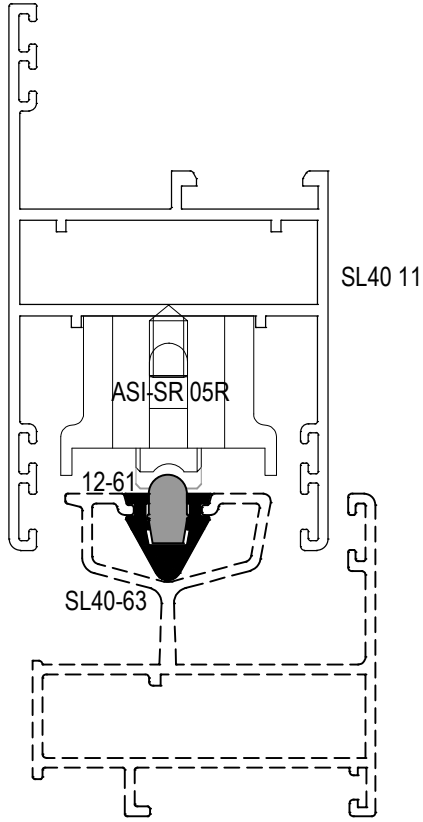


ASI-SH 007K



RULMAN : ASI-SR 05R

ROLLER : ASI-SR 05R



ASI-SR 05R - U TİPİ RAY İÇİN

TAŞIMA KAPASİTESİ = 80 kg

Carry Capacity = 80 kg

TEK KANAT İÇİN = 160 kg

For Per Sash = 160 kg

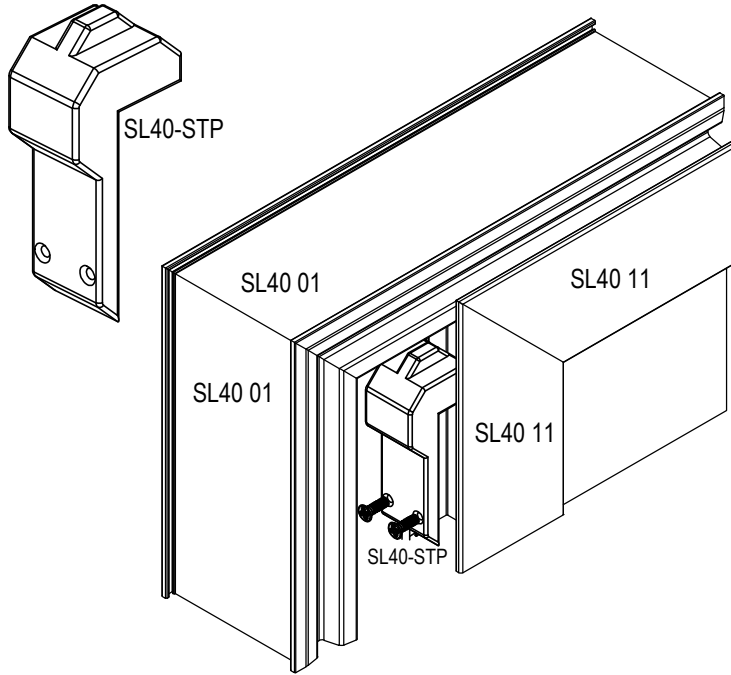
SL40 - 1,4mm

YALITIMSIZ SÜRME SİSTEM
UNINSULATED SLIDING SYSTEM

ASISTAL

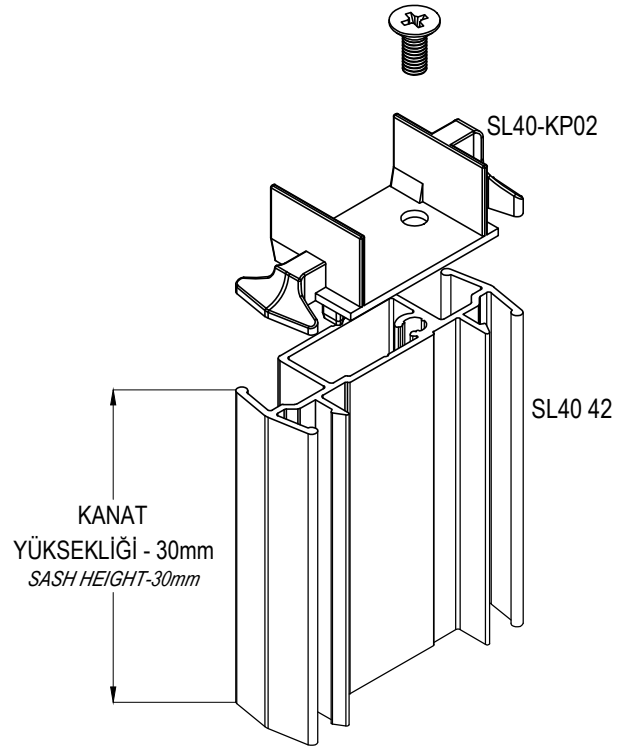
KANAT GÜVENLİK PLASTİĞİ : SL40-STP

ANTI LIFT DEVICE : SL40-STP



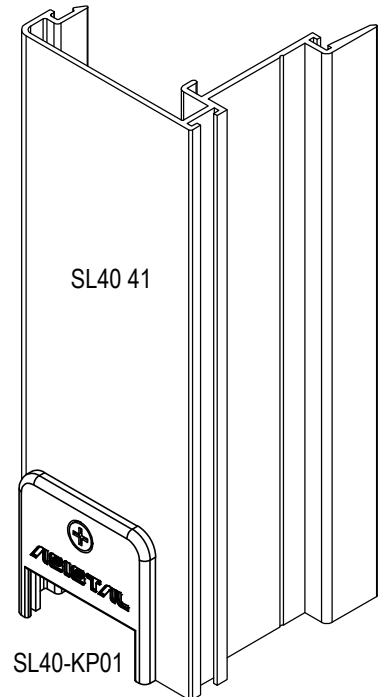
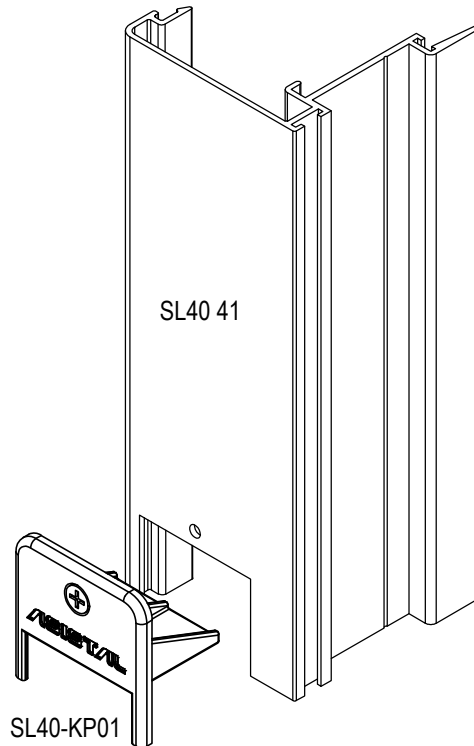
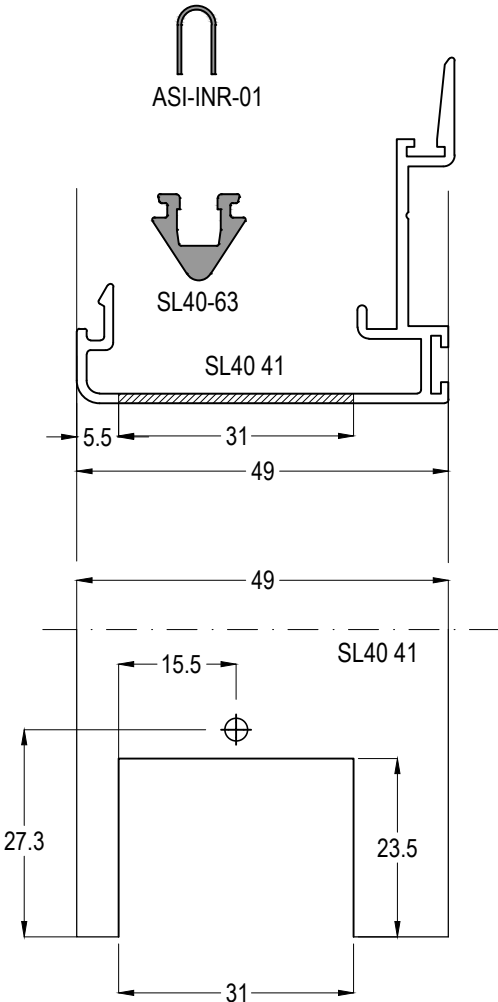
ADAPTÖR KAPAĞI : SL40-KP02

MEETING STILE CAP : SL40-KP02



KENET KAPAĞI : SL40-KP01

INTERLOCK PROFILE CAP : SL40-KP01



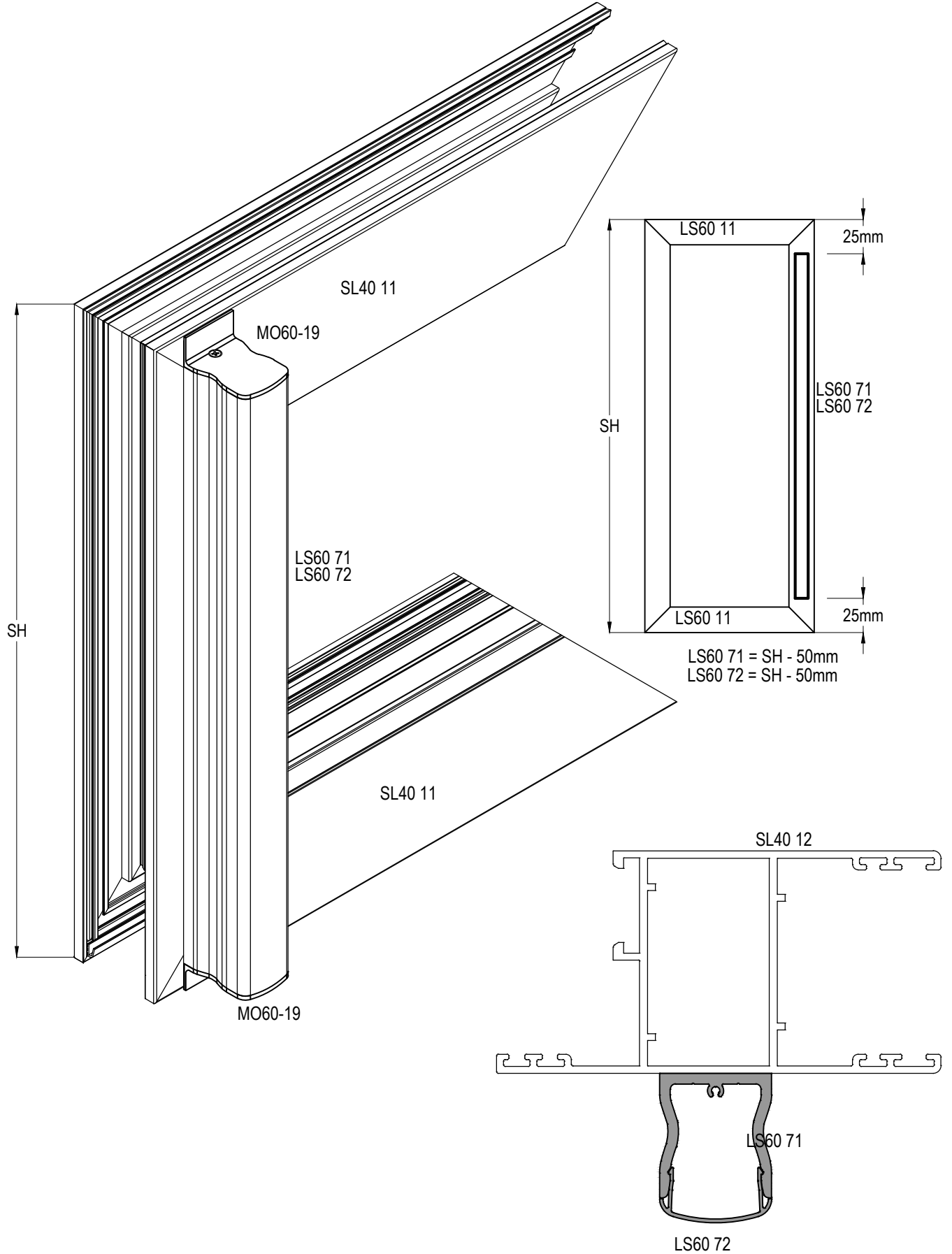
SL40 - 1,4mm

YALITIMSIZ SÜRME SİSTEM
UNINSULATED SLIDING SYSTEM

ASISTAL

TAKVİYE KOL PROFİLİ BAĞLANTI MONTAJI

ASSEMBLY FOR HANDLE PROFILE

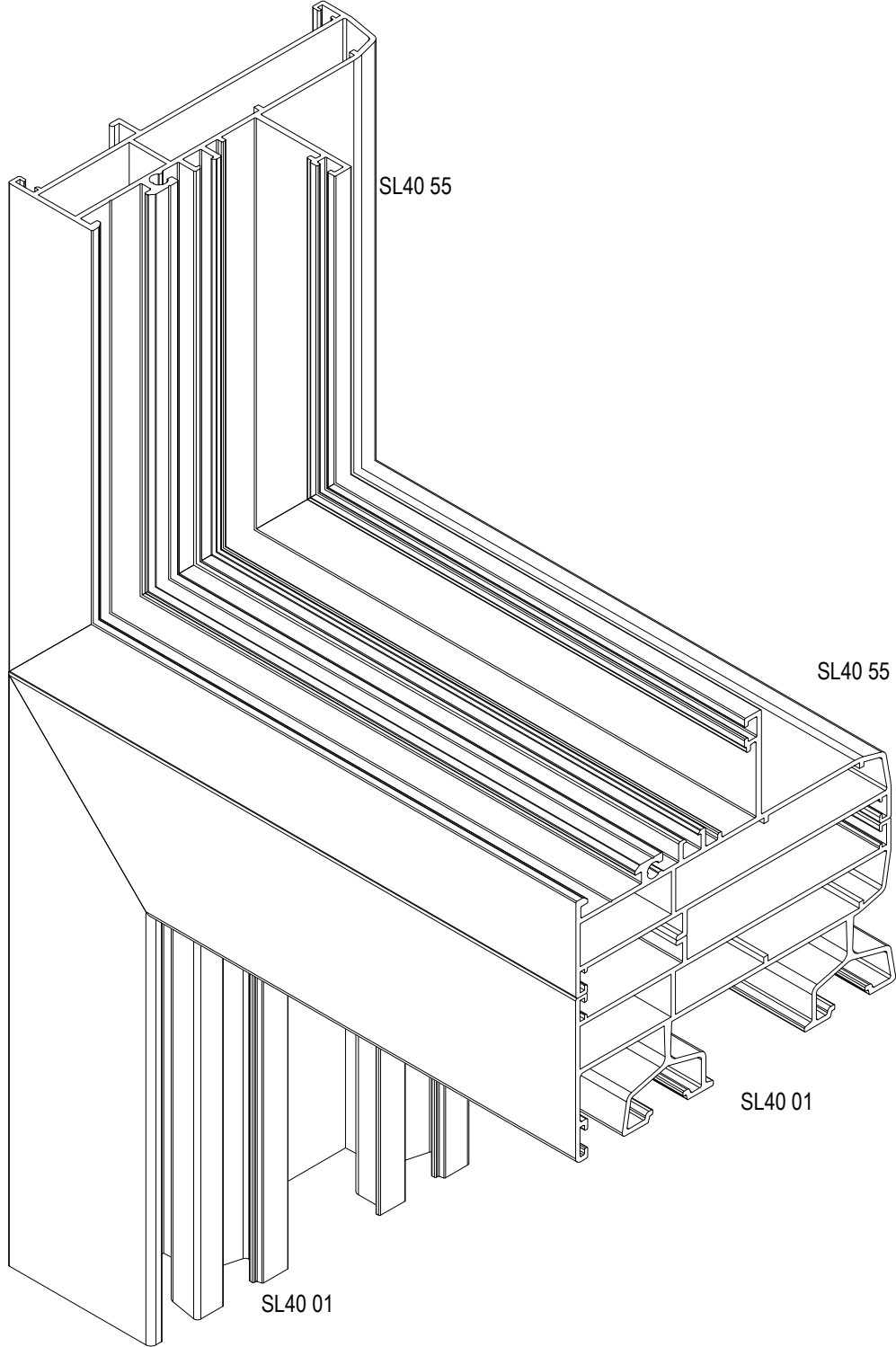


SL40 - 1,4mm

YALITIMSIZ SÜRME SİSTEM
UNINSULATED SLIDING SYSTEM



SL40 SİSTEMDEN C55 SİSTEME GEÇİŞ KASASI
FRAME PROFILE BETWEEN SL40 AND C55 SYSTEM



SL40 - 1,4mm

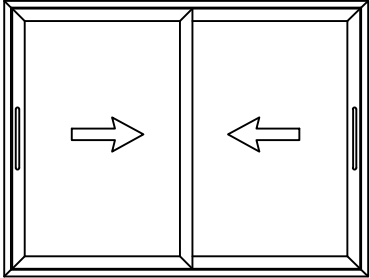
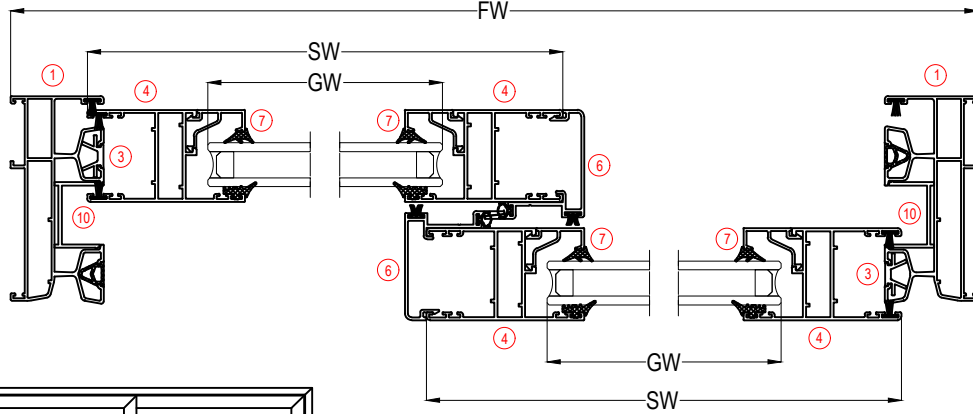
YALITIMSIZ SÜRME SİSTEM
UNINSULATED SLIDING SYSTEM

ASISTAL

KESİM ÖLÇÜLERİ
CUTTING SIZE

2 HAREKETLİ KANAT KESİM ÖLÇÜLERİ

2 SLIDING SASHES CUTTING SIZE



CAM KESİM ÖLÇÜLERİ / GLASS CUTTING SIZES

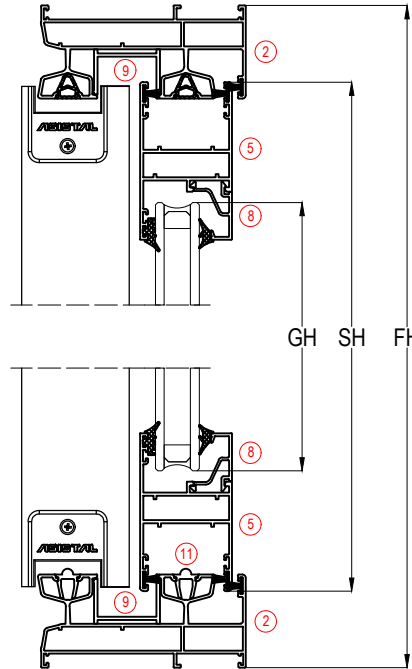
KOD / Code	TANIMI / Description	KESİM ÖLÇÜSÜ / Cutting Dimensions
GW	CAM GENİŞLİK / Sash Glass Width	GW=SW - 110mm
GH	CAM YÜKSEKLİK / Sash Glass Height	GH=SH - 110mm

İSPANYOLET KİLİTLEME İÇİN AKSESUARLAR / ACCESSORIES FOR MULTI POINT LOCKING

MİKTAR / Unit	KOD / Code	PROFİL ÇİZİMİ / Drawing	PROFİL TANIMI / Description	KESİM ÖLÇÜSÜ / Cutting Dimensions
2 Adet / Pcs	ASI-ISP 15.3		İSPANYOLET KİLİTLEME / Multi Point Lock	
6 Adet / Pcs	ASI-ISP K03		İSPANYOLET KİLİT KARŞILIĞI / Multi Point Strike	
2 Adet / Pcs	ASI-WH 002		İSPANYOLET KİLİTLEME KOL / Window Handle	
2 Adet / Pcs	SL40-KNL		İSPANYOLET KİLİTLEME KANAL PROFİLİ / Multi Lock Profile	1800mm

HAVUZLU KOL KULLANIM AKSESUARLAR / ACCESSORIES FOR EMBEDDED HANDLES

MİKTAR / Unit	KOD / Code	PROFİL ÇİZİMİ / Drawing	PROFİL TANIMI / Description	KESİM ÖLÇÜSÜ / Cutting Dimensions
2 Adet / Pcs	ASI-SH 007		HAVUZ KOL / Embedded Handle	
2 Takım / Set	ASI-SH 007K		HAVUZLU KOL KARŞILIK / Embedded Handle Strike	



PROFİLLER / PROFILES

NO / Number	ADET / Unit	KOD / Code	PROFİL ÇİZİMİ / Drawing	PROFİL TANIMI / Description	KESİM ÖLÇÜSÜ / Cutting Dimensions
1	2	SL40 01 SL40 02 SL40 03		DÜŞEY KASA PROFİLİ / Vertical Frame Profile	FH
2	2	SL40 01 SL40 02 SL40 03		YATAY KASA PROFİLİ / Horizontal Frame Profile	FW
3	2	SL40 44		KASA KANAL PROFİLİ / Frame Channel Profile	FH
4	4	SL40 11		DÜŞEY KANAT PROFİLİ / Vertical Sash Profile	SH=FH-70mm
5	4	SL40 11		YATAY KANAT PROFİLİ / Horizontal Sash Profile	SW=FW/2 - 3,9mm
6	2	SL40 41		KENET PROFİLİ / Central Locking Profile	SL40 41=SH
7	4	11 - 010		G1= DÜŞEY CAM ÇİTASI / Vertical Glazing Bead	SH-144mm
8	4	11 - 010		G2 = YATAY CAM ÇİTASI / Horizontal Glazing Bead	SW-100mm
9	2	SL40-PLU 01		YATAY KASA KANAL PVC / Horizontal PVC Channel Profile	FW-40mm
10	2	SL40-PLU 01		DÜŞEY KASA KANAL PVC / Vertical PVC Channel Profile	FH-40mm
11	2	SL40 61		ALÜMİNYUM RAY PROFİLİ / Aluminium Rail Profile	FW-85mm

FİTİLLER / GASKETS

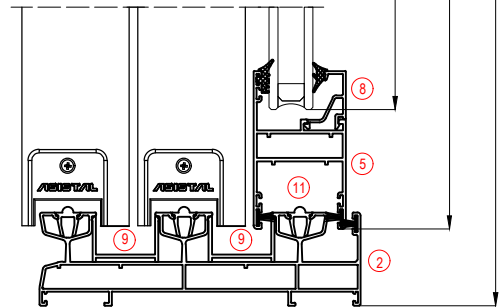
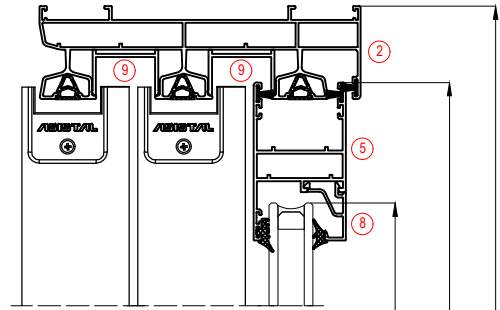
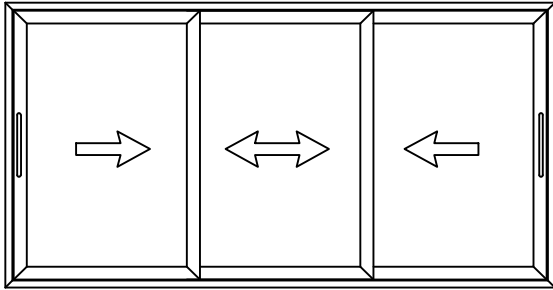
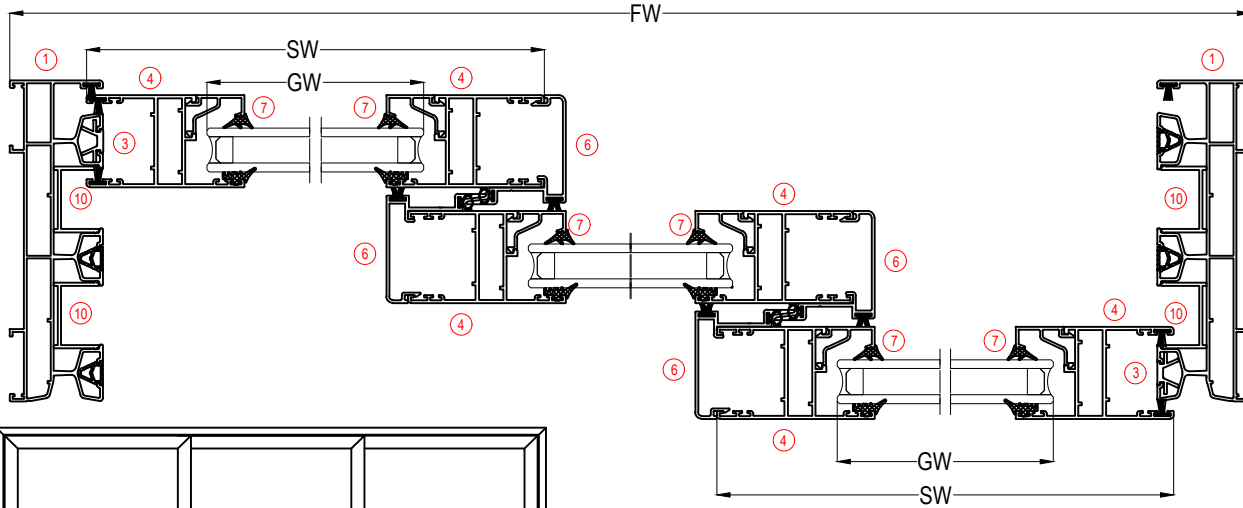
MİKTAR / Unit	KOD / Code	PROFİL ÇİZİMİ / Drawing	PROFİL TANIMI / Description	KESİM ÖLÇÜSÜ / Cutting Dimensions
mt	EP1-01		DIŞ CAM FİTİLİ / Outer Glazing Gasket	(4xG1)+(4xG2)
mt	EP2-03		İÇ CAM FİTİLİ / Inner Glazing Gasket	(4xG1)+(4xG2)
mt	MO-60		BİNİ FİTİLİ / Sealing Gasket	(2xSH)
mt	SKF-01		KASA KANAL FİTİLİ / Frame Channel Gasket	(2xFH)+(2xFW)
mt	KF 67-600		FİRÇA FİTİL / Brush Gasket - 6mm	(6xSH)+(8xSW)+(2xFH)+(2xFW)
mt	KF 67-700		FİRÇA FİTİL / Brush Gasket - 7mm	(6xSH)+(8xSW)+(2xFH)+(2xFW)

AKSESUARLAR / ACCESSORIES

MİKTAR / Unit	KOD / Code	PROFİL ÇİZİMİ / Drawing	PROFİL TANIMI / Description	KESİM ÖLÇÜSÜ / Cutting Dimensions
4 Adet / Pcs	ASI-STP 03		KANAT STOPER / Sash Stopper	
4 Adet / Pcs	SL40-KP01		KENET KAPAĞI ALT-ÜST / Interlock Profile Cap Top-Bottom	
2 Adet / Pcs	ASI-SFP 01		ALT-ÜST HAVA KESİCİ EPDM / Bottom-Top Weather Protector	
32 Adet / Pcs	ASI-SB 19		KÖŞE GÖNYESİ / Corner Alignment	
8 Adet / Pcs	ASI-PB 1126 ASI-KT 1126		KASA PİMLİ-PRESS BAĞLANTI / Frame Corner Joint with Button	
8 Adet / Pcs	ASI-PB 1126 ASI-KT 1126		KANAT PİMLİ-PRESS BAĞLANTI / Sash Corner Joint with Button	
4 Adet / Pcs	ASI-SR 05R		AYARLI ÇİFTLİ RULMAN / Double Sliding Roller	

3 HAREKETLİ KANAT KESİM ÖLÇÜLERİ

3 SLIDING SASHES CUTTING SIZE



CAM KESİM ÖLÇÜLERİ / GLASS CUTTING SIZES			
KOD / Code	TANIMI / Description	KESİM ÖLÇÜSÜ / Cutting Dimensions	
GW	CAM GENİŞLİK / Sash Glass Width	GW=SW - 110mm	
GH	CAM YÜKSEKLİK / Sash Glass Height	GH=SH - 110mm	

İSPANYOLET KİLİTLEME İÇİN AKSESUARLAR / ACCESSORIES FOR MULTI POINT LOCKING				
MİKTAR / Unit	KOD / Code	PROFİL ÇİZİMİ / Drawing	PROFİL TANIMI / Description	KESİM ÖLÇÜSÜ / Cutting Dimensions
2 Adet / Pcs	ASI-ISP 15.3		İSPANYOLET KİLİTLEME / Multi Point Lock	
6 Adet / Pcs	ASI-ISP K03		İSPANYOLET KİLİT KARŞILIĞI / Multi Point Strike	
2 Adet / Pcs	ASI-WH 002		İSPANYOLET KİLİTLEME KOL / Window Handle	
2 Adet / Pcs	SL40-KNL		İSPANYOLET KİLİTLEME KANAL PROFİLİ / Multi Lock Profile	1800mm
HAVUZLU KOL KULLANIM AKSESUARLAR / ACCESSORIES FOR EMBEDDED HANDLES				
2 Adet / Pcs	ASI-SH 007		HAVUZ KOL / Embedded Handle	
2 Takım / Set	ASI-SH 007K		HAVUZLU KOL KARŞILIK / Embedded Handle Strike	

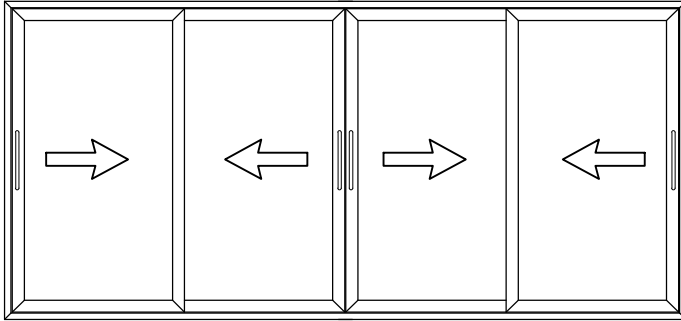
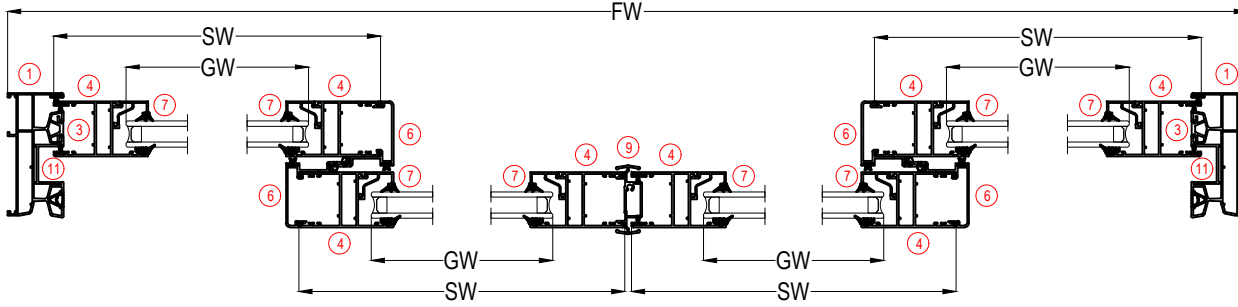
PROFİLLER / PROFILES					
NO / Number	ADET / Unit	KOD / Code	PROFİL ÇİZİMİ / Drawing	PROFİL TANIMI / Description	KESİM ÖLÇÜSÜ / Cutting Dimensions
1	2	SL40 04		DÜŞEY KASA PROFİLİ / Vertical Frame Profile	FH
2	2	SL40 04		YATAY KASA PROFİLİ / Horizontal Frame Profile	FW
3	2	SL40 44		KASA KANAL PROFİLİ / Frame Channel Profile	FH
4	6	SL40 11		DÜŞEY KANAT PROFİLİ / Vertical Sash Profile	SH=FW-70mm
5	6	SL40 11		YATAY KANAT PROFİLİ / Horizontal Sash Profile	SW=FW/3 + 18mm
6	4	SL40 41		KENET PROFİLİ / Central Locking Profile	SL40 41=SH
7	6	11 - 010		G1= DÜŞEY CAM ÇİTASI / Vertical Glazing Bead	SH-144mm
8	6	11 - 010		G2 = YATAY CAM ÇİTASI / Horizontal Glazing Bead	SW-100mm
9	4	SL40-PLU 01		YATAY KASA KANAL PVC / Horizontal PVC Channel Profile	FW-40mm
10	4	SL40-PLU 01		DÜŞEY KASA KANAL PVC / Vertical PVC Channel Profile	FH-40mm
11	3	SL40 61		ALÜMİNYUM RAY PROFİLİ / Aluminium Rail Profile	FW-85mm

FİTİLLER / GASKETS				
MİKTAR / Unit	KOD / Code	PROFİL ÇİZİMİ / Drawing	PROFİL TANIMI / Description	KESİM ÖLÇÜSÜ / Cutting Dimensions
mt	EP1-01		DIŞ CAM FİTİLİ / Outer Glazing Gasket	(6xG1)+(6xG2)
mt	EP2-03		İÇ CAM FİTİLİ / Inner Glazing Gasket	(6xG1)+(6xG2)
mt	MO-60		BİNİ FİTİLİ / Sealing Gasket	(4xSH)
mt	SKF-01		KASA KANAL FİTİLİ / Frame Channel Gasket	(4xFH)+(4xFW)
mt	KF 67-600		FİRÇA FİTİLİ / Brush Gasket - 6mm	(8xSH)+(12xSW)+(2xFH)+(2xFW)
mt	KF 67-700		FİRÇA FİTİLİ / Brush Gasket - 7mm	(8xSH)+(12xSW)+(2xFH)+(2xFW)

AKSESUARLAR / ACCESSORIES				
MİKTAR / Unit	KOD / Code	PROFİL ÇİZİMİ / Drawing	PROFİL TANIMI / Description	KESİM ÖLÇÜSÜ / Cutting Dimensions
4 Adet / Pcs	ASI-STP 03		KANAT STOPER / Sash Stopper	
8 Adet / Pcs	SL40-KP01		KENET KAPAĞI ALT-ÜST / Interlock Profile Cap Top-Bottom	
4 Adet / Pcs	ASI-SFP 01		ALT-ÜST HAVA KESİCİ EPDM / Bottom-Top Weather Protector	
44 Adet / Pcs	ASI-SB 19		KÖŞE GÖNYESİ / Corner Alignment	
12 Adet / Pcs	ASI-PB 1126 ASI-KT 1126		KASA PİMLİ-PRESS BAĞLANTI / Frame Corner Joint with Button	
12 Adet / Pcs	ASI-PB 1126 ASI-KT 1126		KANAT PİMLİ-PRESS BAĞLANTI / Sash Corner Joint with Button	
6 Adet / Pcs	ASI-SR 05R		AYARLI ÇİFTLİ RULMAN / Double Sliding Roller	

4 HAREKETLİ KANAT KESİM ÖLÇÜLERİ

4 SLIDING SASHES CUTTING SIZE



CAM KESİM ÖLÇÜLERİ / GLASS CUTTING SIZES

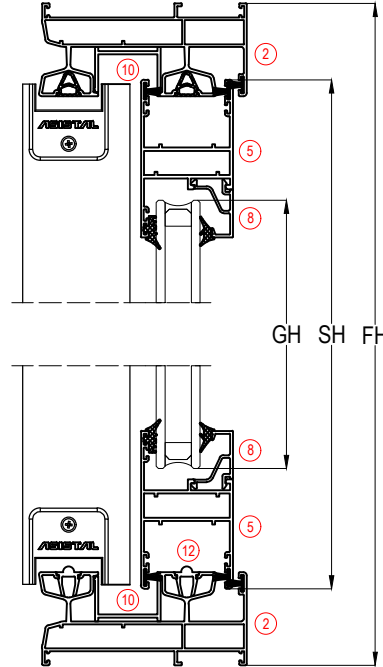
KOD / Code	TANIMI / Description	KESİM ÖLÇÜSÜ / Cutting Dimensions
GW	CAM GENİŞLİK / Sash Glass Width	GW=SW - 110mm
GH	CAM YÜKSEKLİK / Sash Glass Height	GH=SH - 110mm

İSPANYOLET KİLİTLEME İÇİN AKSESUARLAR / ACCESSORIES FOR MULTI POINT LOCKING

MİKTAR / Unit	KOD / Code	PROFİL ÇİZİMİ / Drawing	PROFİL TANIMI / Description	KESİM ÖLÇÜSÜ / Cutting Dimensions
3 Adet / Pcs	ASI-ISP 15.3		İSPANYOLET KİLİTLEME / Multi Point Lock	
9 Adet / Pcs	ASI-ISP K03		İSPANYOLET KİLİT KARŞILIĞI / Multi Point Strike	
3 Adet / Pcs	ASI-WH 002		İSPANYOLET KİLİTLEME KOL / Window Handle	
3 Adet / Pcs	SL40-KNL		İSPANYOLET KİLİTLEME KANAL PROFİLİ / Multi Lock Profile	1800mm

HAVUZLU KOL KULLANIM AKSESUARLAR / ACCESSORIES FOR EMBEDDED HANDLES

MİKTAR / Unit	KOD / Code	PROFİL ÇİZİMİ / Drawing	PROFİL TANIMI / Description	KESİM ÖLÇÜSÜ / Cutting Dimensions
3 Adet / Pcs	ASI-SH 007		HAVUZ KOL / Embedded Handle	
3 Takım / Set	ASI-SH 007K		HAVUZLU KOL KARŞILIK / Embedded Handle Strike	



PROFİLLER / PROFILES

NO / Number	ADET / Unit	KOD / Code	PROFİL ÇİZİMİ / Drawing	PROFİL TANIMI / Description	KESİM ÖLÇÜSÜ / Cutting Dimensions
1	2	SL40 01 SL40 02 SL40 03		DÜŞEY KASA PROFİLİ / Vertical Frame Profile	FH
2	2	SL40 01 SL40 02 SL40 03		YATAY KASA PROFİLİ / Horizontal Frame Profile	FW
3	2	SL40 44		KASA KANAL PROFİLİ / Frame Channel Profile	FH
4	8	SL40 11		DÜŞEY KANAT PROFİLİ / Vertical Sash Profile	SH=FW-70mm
5	8	SL40 11		YATAY KANAT PROFİLİ / Horizontal Sash Profile	SW=FW/4+12,3mm
6	4	SL40 41		KENET PROFİLİ / Central Locking Profile	SL40 41=SH
7	8	11 - 010		G1= DÜŞEY CAM ÇITASI / Vertical Glazing Bead	SH-144mm
8	8	11 - 010		G2 = YATAY CAM ÇITASI / Horizontal Glazing Bead	SW-100mm
9	1	SL40 42		ADAPTÖR PROFİLİ / Adapter Profile	SH-30
10	2	SL40-PLU 01		YATAY KASA KANAL PVC / Horizontal PVC Channel Profile	FW-40mm
11	2	SL40-PLU 01		DÜŞEY KASA KANAL PVC / Vertical PVC Channel Profile	FH-40mm
12	2	SL40 61		ALÜMİNYUM RAY PROFİLİ / Aluminium Rail Profile	FW-85mm

FİTİLLER / GASKETS

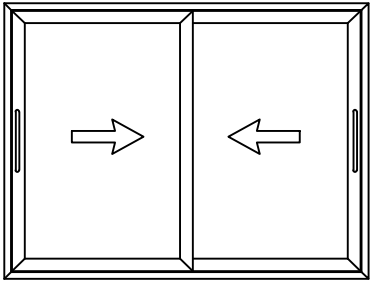
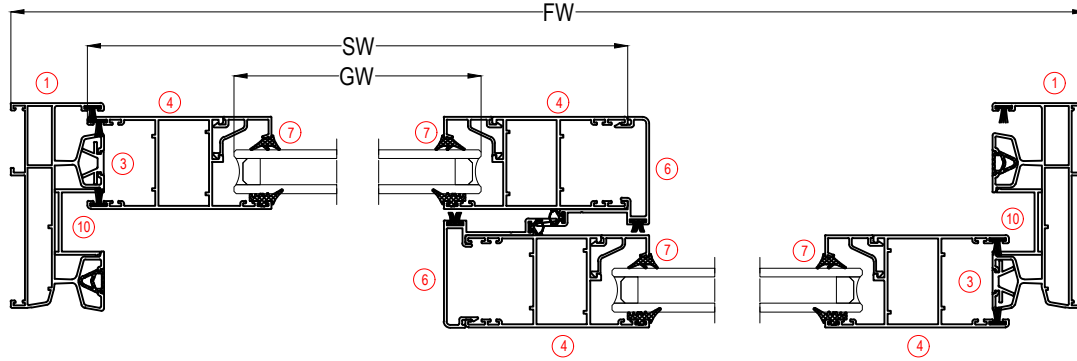
MİKTAR / Unit	KOD / Code	PROFİL ÇİZİMİ / Drawing	PROFİL TANIMI / Description	KESİM ÖLÇÜSÜ / Cutting Dimensions
mt	EP1-01		DIŞ CAM FİTİLİ / Outer Glazing Gasket	(8xG1)+(8xG2)
mt	EP2-03		İÇ CAM FİTİLİ / Inner Glazing Gasket	(8xG1)+(8xG2)
mt	MO-60		BİNİ FİTİLİ / Sealing Gasket	(4xSH)
mt	SKF-01		KASA KANAL FİTİLİ / Frame Channel Gasket	(2xFH)+(2xFW)
mt	KF 67-600		FİRÇA FİTİLİ / Brush Gasket - 6mm	(10xSH)+(8xSW)+(2xFH)+(2xFW)
mt	KF 67-700		FİRÇA FİTİLİ / Brush Gasket - 7mm	(10xSH)+(8xSW)+(2xFH)+(2xFW)

AKSESUARLAR / ACCESSORIES

MİKTAR / Unit	KOD / Code	PROFİL ÇİZİMİ / Drawing	PROFİL TANIMI / Description	KESİM ÖLÇÜSÜ / Cutting Dimensions
6 Adet / Pcs	ASI-STP 03		KANAT STOPER / Sash Stopper	
8 Adet / Pcs	SL40-KP01		KENET KAPAĞI ALT-ÜST / Interlock Profile Cap Top-Bottom	
4 Adet / Pcs	ASI-SFP 01		ALT-ÜST HAVA KESİCİ EPDM / Bottom-Top Weather Protector	
56 Adet / Pcs	ASI-SB 19		KÖŞE GÖNYESİ / Corner Alignment	
8 Adet / Pcs	ASI-PB 1126 ASI-KT 1126		KASA PİMLİ-PRESS BAĞLANTI / Frame Corner Joint with Button	
16 Adet / Pcs	ASI-PB 1126 ASI-KT 1126		KANAT PİMLİ-PRESS BAĞLANTI / Sash Corner Joint with Button	
8 Adet / Pcs	ASI-SR 05R		AYARLI ÇİFTLİ RULMAN / Double Sliding Roller	
2 Adet / Pcs	SL40-KP02		4 LÜ KANAT KİLİTLEME ADAPTÖR KAPAĞI / Sash Locking Adapter Cover	

2 HAREKETLİ KANAT KESİM ÖLÇÜLERİ

2 SLIDING SASHES CUTTING SIZE

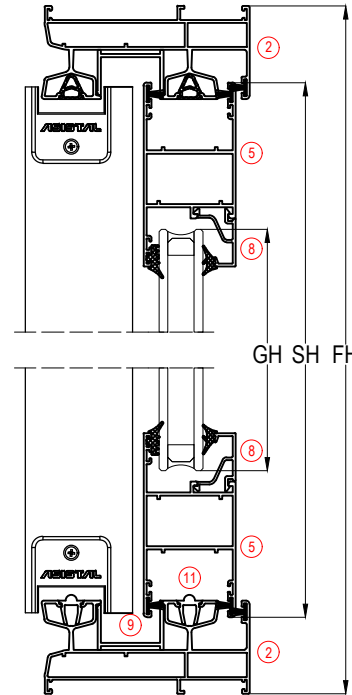


CAM KESİM ÖLÇÜLERİ / GLASS CUTTING SIZES

KOD / Code	TANIMI / Description	KESİM ÖLÇÜSÜ / Cutting Dimensions
GW	CAM GENİŞLİK / Sash Glass Width	GW=SW - 134mm
GH	CAM YÜKSEKLİK / Sash Glass Height	GH=SH - 134mm

İSPANYOLET KİLİTLEME İÇİN AKSESUARLAR / ACCESSORIES FOR MULTI POINT LOCKING

MİKTAR / Unit	KOD / Code	PROFİL ÇİZİMİ / Drawing	PROFİL TANIMI / Description	KESİM ÖLÇÜSÜ / Cutting Dimensions
2 Adet / Pcs	ASI-ISP 15.3		İSPANYOLET KİLİTLEME / Multi Point Lock	
6 Adet / Pcs	ASI-ISP K03		İSPANYOLET KİLİT KARŞILIĞI / Multi Point Strike	
2 Adet / Pcs	ASI-WH 002		İSPANYOLET KİLİTLEME KOL / Window Handle	
2 Adet / Pcs	SL40-KNL		İSPANYOLET KİLİTLEME KANAL PROFİLİ / Multi Lock Profile	1800mm
HAVUZLU KOL KULLANIM AKSESUARLAR / ACCESSORIES FOR EMBEDDED HANDLES				
2 Adet / Pcs	ASI-SH 007		HAVUZLU KOL / Embedded Handle	
2 Takım / Set	ASI-SH 007K		HAVUZLU KOL KARŞILIK / Embedded Handle Strike	



PROFİLLER / PROFILES

NO / Number	ADET / Unit	KOD / Code	PROFİL ÇİZİMİ / Drawing	PROFİL TANIMI / Description	KESİM ÖLÇÜSÜ / Cutting Dimensions
1	2	SL40 01 SL40 02 SL40 03		DÜŞEY KASA PROFİLİ / Vertical Frame Profile	FH
2	2	SL40 01 SL40 02 SL40 03		YATAY KASA PROFİLİ / Horizontal Frame Profile	FW
3	2	SL40 44		KASA KANAL PROFİLİ / Frame Channel Profile	FH
4	4	SL40 12		DÜŞEY KANAT PROFİLİ / Vertical Sash Profile	SH=FW-70mm
5	4	SL40 12		YATAY KANAT PROFİLİ / Horizontal Sash Profile	SW=FW/2+2,1mm
6	2	SL40 43		KENET PROFİLİ / Central Locking Profile	SL40 41=SH
7	4	11 - 010		G1= DÜŞEY CAM ÇİTASI / Vertical Glazing Bead	SH-168mm
8	4	11 - 010		G2 = YATAY CAM ÇİTASI / Horizontal Glazing Bead	SW-124mm
9	2	SL40-PLU 01		YATAY KASA KANAL PVC / Horizontal PVC Channel Profile	FW-40mm
10	2	SL40-PLU 01		DÜŞEY KASA KANAL PVC / Vertical PVC Channel Profile	FH-40mm
11	2	SL40 61		ALÜMİNYUM RAY PROFİLİ / Aluminium Rail Profile	FW-85

FİTİLLER / GASKETS

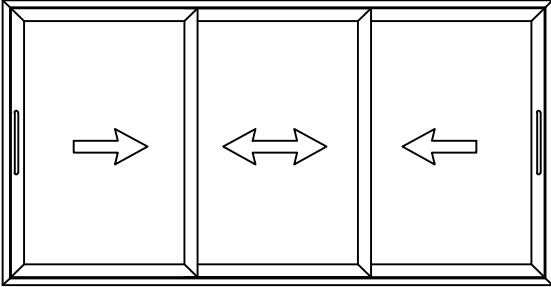
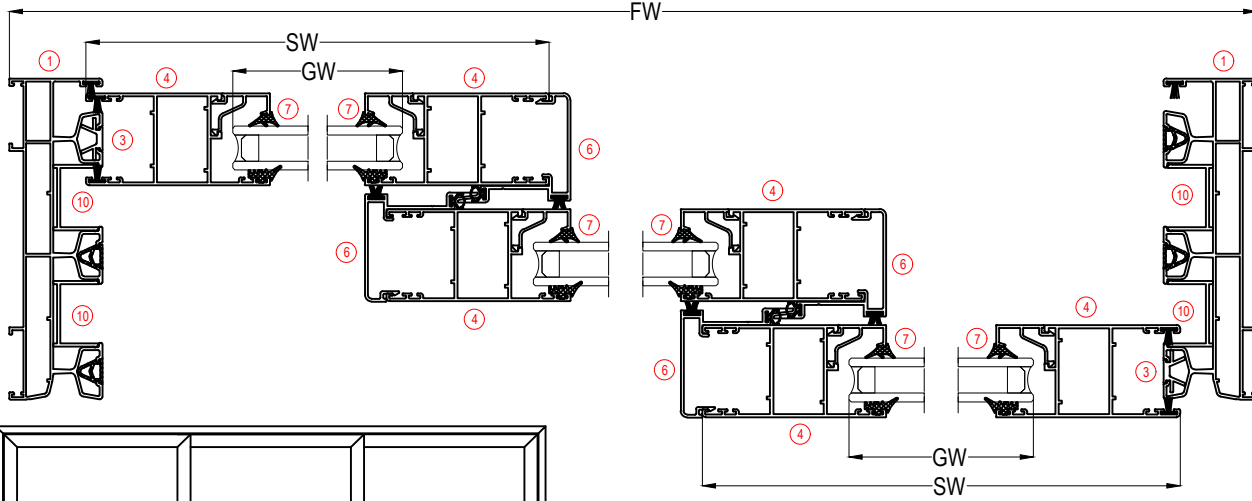
MİKTAR / Unit	KOD / Code	PROFİL ÇİZİMİ / Drawing	PROFİL TANIMI / Description	KESİM ÖLÇÜSÜ / Cutting Dimensions
mt	EP1-01		DIŞ CAM FİTİLİ / Outer Glazing Gasket	(4xG1)+(4xG2)
mt	EP2-03		İÇ CAM FİTİLİ / Inner Glazing Gasket	(4xG1)+(4xG2)
mt	MO-60		BİNİ FİTİLİ / Sealing Gasket	(2xSH)
mt	SKF-01		KASA KANAL FİTİLİ / Frame Channel Gasket	(2xFH)+(2xFW)
mt	KF 67-600		FİRÇA FİTİLİ / Brush Gasket - 6mm	(6xSH)+(8xSW)+(2xFH)+(2xFW)
mt	KF 67-700		FİRÇA FİTİLİ / Brush Gasket - 7mm	(6xSH)+(8xSW)+(2xFH)+(2xFW)

AKSESUARLAR / ACCESSORIES

MİKTAR / Unit	KOD / Code	PROFİL ÇİZİMİ / Drawing	PROFİL TANIMI / Description	KESİM ÖLÇÜSÜ / Cutting Dimensions
4 Adet / Pcs	ASI-STP 03		KANAT STOPER / Sash Stopper	
4 Adet / Pcs	SL40-KP01		KENET KAPAĞI ALT-ÜST / Interlock Profile Cap Top-Bottom	
2 Adet / Pcs	ASI-SFP 01		ALT-ÜST HAVA KESİCİ EPDM / Bottom-Top Weather Protector	
32 Adet / Pcs	ASI-SB 19		KÖŞE GÖNYESİ / Corner Alignment	
8 Adet / Pcs	ASI-PB 1126 ASI-KT 1126		KASA PİMLİ-PRESS BAĞLANTI / Frame Corner Joint with Button	
8 Adet / Pcs	ASI-PB 2326 ASI-KT 2660		KANAT PİMLİ-PRESS BAĞLANTI / Sash Corner Joint with Button	
4 Adet / Pcs	ASI-SR 05R		AYARLI ÇİFTLİ RULMAN / Double Sliding Roller	

3 HAREKETLİ KANAT KESİM ÖLÇÜLERİ

3 SLIDING SASHES CUTTING SIZE

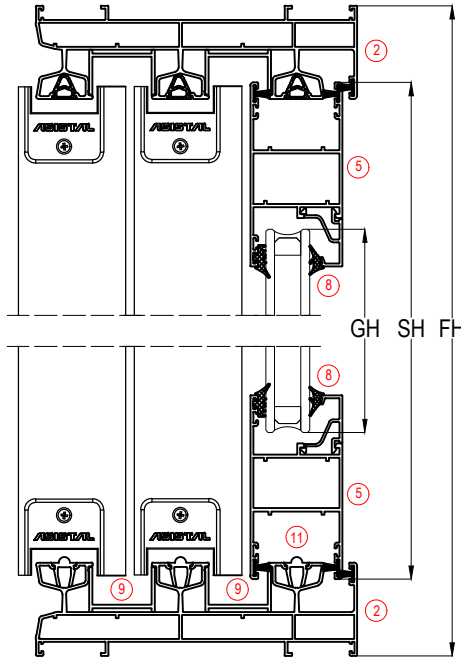


CAM KESİM ÖLÇÜLERİ / GLASS CUTTING SIZES

KOD / Code	TANIMI / Description	KESİM ÖLÇÜSÜ / Cutting Dimensions
GW	CAM GENİŞLİK / Sash Glass Width	GW=SW - 134mm
GH	CAM YÜKSEKLİK / Sash Glass Height	GH=SH - 134mm

İSPANYOLET KİLİTLEME İÇİN AKSESUARLAR / ACCESSORIES FOR MULTI POINT LOCKING

MİKTAR / Unit	KOD / Code	PROFİL ÇİZİMİ / Drawing	PROFİL TANIMI / Description	KESİM ÖLÇÜSÜ / Cutting Dimensions
2 Adet / Pcs	ASI-ISP 15.3		İSPANYOLET KİLİTLEME / Multi Point Lock	
6 Adet / Pcs	ASI-ISP K03		İSPANYOLET KİLİT KARŞILIĞI / Multi Point Strike	
2 Adet / Pcs	ASI-WH 002		İSPANYOLET KİLİTLEME KOL / Window Handle	
2 Adet / Pcs	SL40-KNL		İSPANYOLET KİLİTLEME KANAL PROFİLİ / Multi Lock Profile	1800mm
HAVUZLU KOL KULLANIM AKSESUARLAR / ACCESSORIES FOR EMBEDDED HANDLES				
2 Adet / Pcs	ASI-SH 007		HAVUZLU KOL / Embedded Handle	
2 Takım / Set	ASI-SH 007K		HAVUZLU KOL KARŞILIK / Embedded Handle Strike	



PROFİLLER / PROFILES

NO / Number	ADET / Unit	KOD / Code	PROFİL ÇİZİMİ / Drawing	PROFİL TANIMI / Description	KESİM ÖLÇÜSÜ / Cutting Dimensions
1	2	SL40 04		DÜŞEY KASA PROFİLİ / Vertical Frame Profile	FH
2	2	SL40 04		YATAY KASA PROFİLİ / Horizontal Frame Profile	FW
3	2	SL40 44		KASA KANAL PROFİLİ / Frame Channel Profile	FH
4	6	SL40 12		DÜŞEY KANAT PROFİLİ / Vertical Sash Profile	SH=FW-70mm
5	6	SL40 12		YATAY KANAT PROFİLİ / Horizontal Sash Profile	SW=FW/3 + 26mm
6	4	SL40 43		KENET PROFİLİ / Central Locking Profile	SL40 41=SH
7	6	11 - 010		G1= DÜŞEY CAM ÇİTASI / Vertical Glazing Bead	SH-168mm
8	6	11 - 010		G2= YATAY CAM ÇİTASI / Horizontal Glazing Bead	SW-124mm
9	4	SL40-PLU 01		YATAY KASA KANAL PVC / Horizontal PVC Channel Profile	FW-40mm
10	4	SL40-PLU 01		DÜŞEY KASA KANAL PVC / Vertical PVC Channel Profile	FH-40mm
11	3	SL40 61		ALÜMİNYUM RAY PROFİLİ / Aluminium Rail Profile	FW-85mm

FİTİLLER / GASKETS

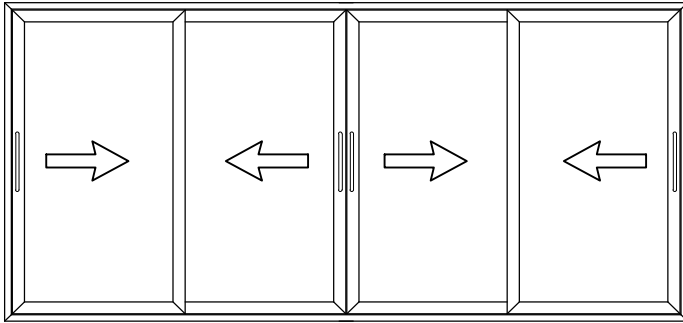
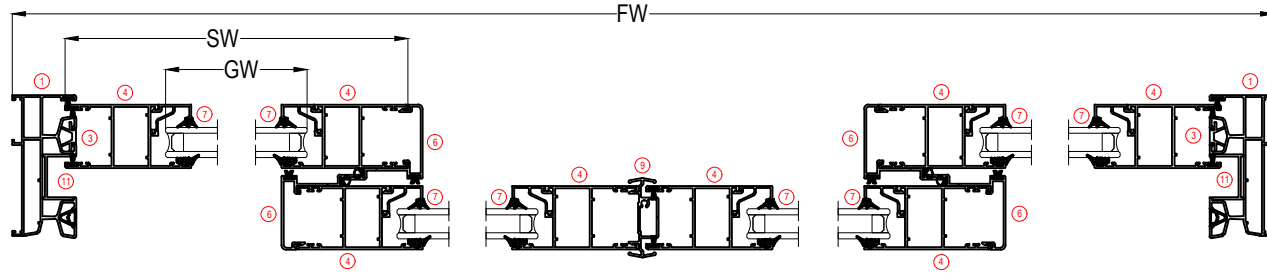
MİKTAR / Unit	KOD / Code	PROFİL ÇİZİMİ / Drawing	PROFİL TANIMI / Description	KESİM ÖLÇÜSÜ / Cutting Dimensions
mt	EP1-01		DIŞ CAM FİTİLİ / Outer Glazing Gasket	(6xG1)+(6xG2)
mt	EP2-03		İÇ CAM FİTİLİ / Inner Glazing Gasket	(6xG1)+(6xG2)
mt	MO-60		BİNİ FİTİLİ / Sealing Gasket	(4xSH)
mt	SKF-01		KASA KANAL FİTİLİ / Frame Channel Gasket	(4xFH)+(4xFW)
mt	KF 67-600		FİRÇA FİTİL / Brush Gasket - 6mm	(8xSH)+(12xSW)+(2xFH)+(2xFW)
mt	KF 67-700		FİRÇA FİTİL / Brush Gasket - 7mm	(8xSH)+(12xSW)+(2xFH)+(2xFW)

AKSESUARLAR / ACCESSORIES

MİKTAR / Unit	KOD / Code	PROFİL ÇİZİMİ / Drawing	PROFİL TANIMI / Description	KESİM ÖLÇÜSÜ / Cutting Dimensions
4 Adet / Pcs	ASI-STP 03		KANAT STOPER / Sash Stopper	
8 Adet / Pcs	SL40-KP01		KENET KAPAĞI ALT-ÜST / Interlock Profile Cap Top-Bottom	
4 Adet / Pcs	ASI-SFP 01		ALT-ÜST HAVA KESİCİ EPDM / Bottom-Top Weather Protector	
44 Adet / Pcs	ASI-SB 19		KÖŞE GÖNYESİ / Corner Alignment	
12 Adet / Pcs	ASI-PB 1126 ASI-KT 1126		KASA PİMLİ-PRESS BAĞLANTI / Frame Corner Joint with Button	
12 Adet / Pcs	ASI-PB 2326 ASI-KT 2660		KANAT PİMLİ-PRESS BAĞLANTI / Sash Corner Joint with Button	
6 Adet / Pcs	ASI-SR 05R		AYARLI ÇİFTLİ RULMAN / Double Sliding Roller	

4 HAREKETLİ KANAT KESİM ÖLÇÜLERİ

4 SLIDING SASHES CUTTING SIZE



CAM KESİM ÖLÇÜLERİ / GLASS CUTTING SIZES

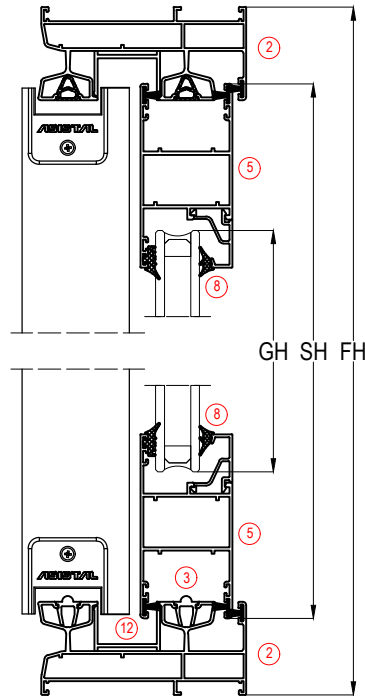
KOD / Code	TANIMI / Description	KESİM ÖLÇÜSÜ / Cutting Dimensions
GW	CAM GENİŞLİK / Sash Glass Width	GW=SW - 134mm
GH	CAM YÜKSEKLİK / Sash Glass Height	GH=SH - 134mm

İSPANYOLET KİLİTLEME İÇİN AKSESUARLAR / ACCESSORIES FOR MULTI POINT LOCKING

MİKTAR / Unit	KOD / Code	PROFİL ÇİZİMİ / Drawing	PROFİL TANIMI / Description	KESİM ÖLÇÜSÜ / Cutting Dimensions
3 Adet / Pcs	ASI-ISP 15.3		İSPANYOLET KİLİTLEME / Multi Point Lock	
9 Adet / Pcs	ASI-ISP K03		İSPANYOLET KİLİT KARŞILIĞI / Multi Point Strike	
3 Adet / Pcs	ASI-WH 002		İSPANYOLET KİLİTLEME KOL / Window Handle	
3 Adet / Pcs	SL40-KNL		İSPANYOLET KİLİTLEME KANAL PROFİLİ / Multi Lock Profile	1800mm

HAVUZLU KOL KULLANIM AKSESUARLAR / ACCESSORIES FOR EMBEDDED HANDLES

MİKTAR / Unit	KOD / Code	PROFİL ÇİZİMİ / Drawing	PROFİL TANIMI / Description	KESİM ÖLÇÜSÜ / Cutting Dimensions
3 Adet / Pcs	ASI-SH 007		HAVUZ KOL / Embedded Handle	
3 Takım / Set	ASI-SH 007K		HAVUZLU KOL KARŞILIK / Embedded Handle Strike	



PROFİLLER / PROFILES

NO / Number	ADET / Unit	KOD / Code	PROFİL ÇİZİMİ / Drawing	PROFİL TANIMI / Description	KESİM ÖLÇÜSÜ / Cutting Dimensions
1	2	SL40 01 SL40 02 SL40 03		DÜŞEY KASA PROFİLİ / Vertical Frame Profile	FH
2	2	SL40 01 SL40 02 SL40 03		YATAY KASA PROFİLİ / Horizontal Frame Profile	FW
3	2	SL40 44		KASA KANAL PROFİLİ / Frame Channel Profile	FH
4	8	SL40 12		DÜŞEY KANAT PROFİLİ / Vertical Sash Profile	SH=FW-70mm
5	8	SL40 12		YATAY KANAT PROFİLİ / Horizontal Sash Profile	SW=FW/4+18,4mm
6	4	SL40 43		KENET PROFİLİ / Central Locking Profile	SL40 41=SH
7	8	11 - 010		G1= DÜŞEY CAM ÇITASI / Vertical Glazing Bead	SH-168mm
8	8	11 - 010		G2 = YATAY CAM ÇITASI / Horizontal Glazing Bead	SW-124mm
9	1	SL40 42		ADAPTÖR PROFİLİ / Adapter Profile	SH-30
10	2	SL40-PLU 01		YATAY KASA KANAL PVC / Horizontal PVC Channel Profile	FW-40mm
11	2	SL40-PLU 01		DÜŞEY KASA KANAL PVC / Vertical PVC Channel Profile	FH-40mm
12	2	SL40 61		ALÜMİNYUM RAY PROFİLİ / Aluminium Rail Profile	FW-85mm

FİTİLLER / GASKETS

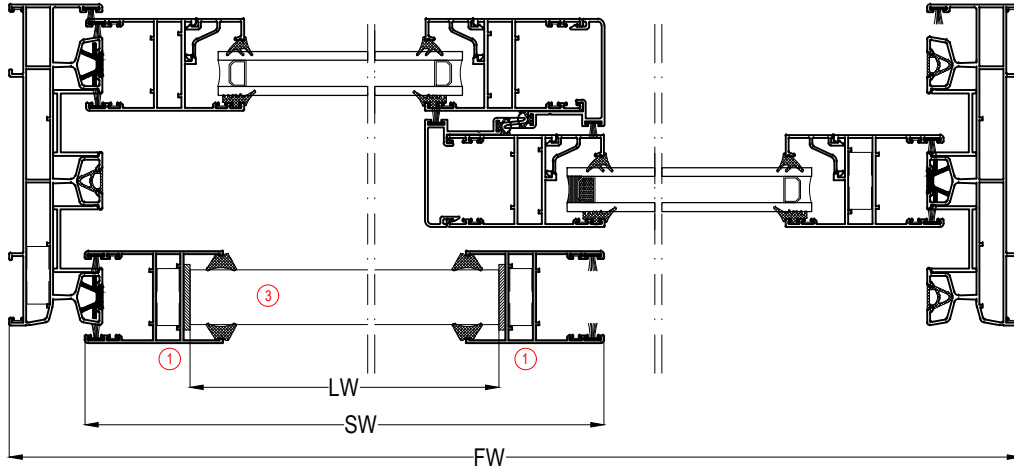
MİKTAR / Unit	KOD / Code	PROFİL ÇİZİMİ / Drawing	PROFİL TANIMI / Description	KESİM ÖLÇÜSÜ / Cutting Dimensions
mt	EP1-01		DIŞ CAM FİTİLİ / Outer Glazing Gasket	(8xG1)+(8xG2)
mt	EP2-03		İÇ CAM FİTİLİ / Inner Glazing Gasket	(8xG1)+(8xG2)
mt	MO-60		BİNİ FİTİLİ / Sealing Gasket	(4xSH)
mt	SKF-01		KASA KANAL FİTİLİ / Frame Channel Gasket	(2xFH)+(2xFW)
mt	KF 67-600		FİRÇA FİTİLİ / Brush Gasket - 6mm	(10xSH)+(8xSW)+(2xFH)+(2xFW)
mt	KF 67-700		FİRÇA FİTİLİ / Brush Gasket - 7mm	(10xSH)+(8xSW)+(2xFH)+(2xFW)

AKSESUARLAR / ACCESSORIES

MİKTAR / Unit	KOD / Code	PROFİL ÇİZİMİ / Drawing	PROFİL TANIMI / Description	KESİM ÖLÇÜSÜ / Cutting Dimensions
6 Adet / Pcs	ASI-STP 03		KANAT STOPER / Sash Stopper	
8 Adet / Pcs	SL40-KP01		KENET KAPAĞI ALT-ÜST / Interlock Profile Cap Top-Bottom	
4 Adet / Pcs	ASI-SFP 01		ALT-ÜST HAVA KESİCİ EPDM / Bottom-Top Weather Protector	
56 Adet / Pcs	ASI-SB 19		KÖŞE GÖNYESİ / Corner Alignment	
8 Adet / Pcs	ASI-PB 1126 ASI-KT 1126		KASA PİMLİ-PRESS BAĞLANTI / Frame Corner Joint with Button	
16 Adet / Pcs	ASI-PB 2326 ASI-KT 2660		KANAT PİMLİ-PRESS BAĞLANTI / Sash Corner Joint with Button	
8 Adet / Pcs	ASI-SR 05R		AYARLI ÇİFTLİ RULMAN / Double Sliding Roller	
2 Adet / Pcs	SL40-KP02		4 LÜ KANAT KİLİTLEME ADAPTÖR KAPAĞI / Meeting Stile Cap Adapter	

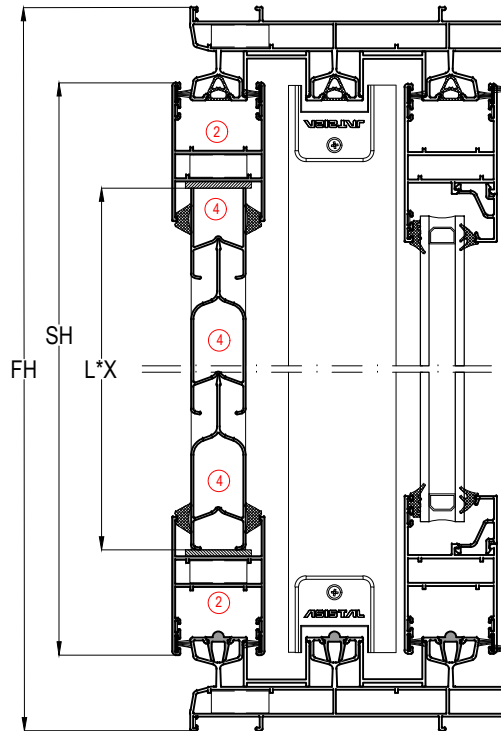
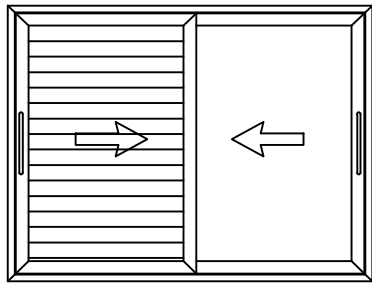
HAREKETLİ PANJUR KANAT KESİM ÖLÇÜLERİ

SLIDING SHUTTER SASHE CUTTING SIZE



HAREKETLİ PANJUR KASA SEÇENEĞİ SL40 04 DİR

SLIDING SHUTTER FRAME OPTION FOR SL40 04



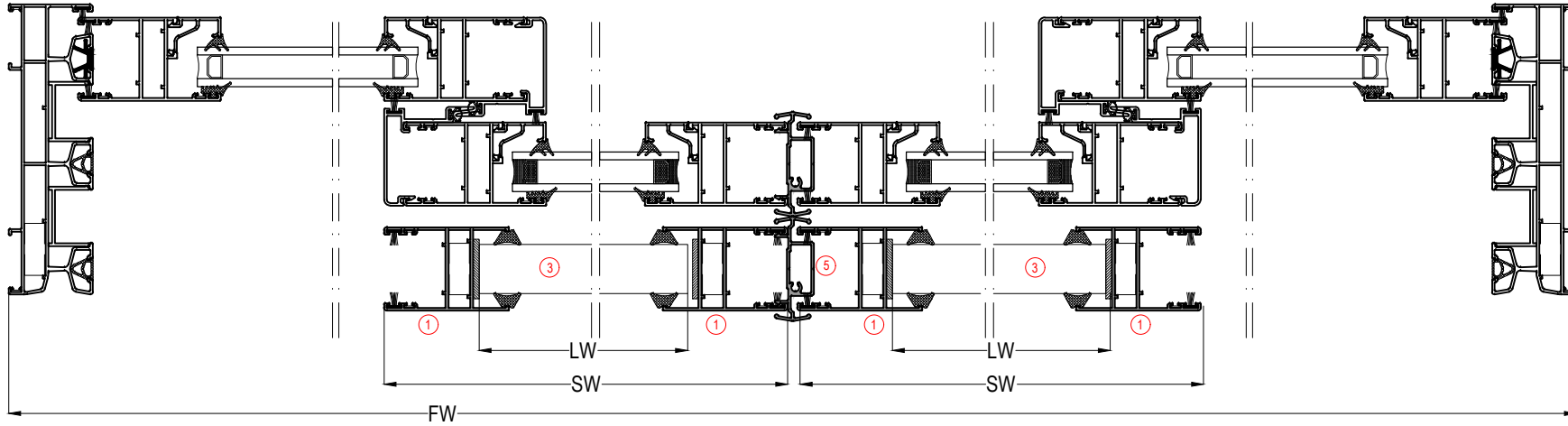
PROFİLLER / PROFILES					
NO / Number	ADET / Unit	KOD / Code	PROFİL ÇİZİMİ / Drawing	PROFİL TANIMI / Description	KESİM ÖLÇÜSÜ / Cutting Dimensions
1	2	SL40 13		DÜŞEY SHUTTER KANAT PROFİLİ / Vertical Shutter Sash Profile	$FW/2 + 6 \text{ mm}$
2	2	SL40 13		YATAY SHUTTER KANAT PROFİLİ / Horizontal Shutter Sash Profile	$FH-70\text{mm}$
3	X	SL40 72		LAMEL PROFİLİ EN / Lamella Profile Width	$SW - 96 \text{ mm}$
4	X	SL40 72		LAMEL PROFİL ADEDİ / Lamella Profile Pieces	$(FH - 96)/61\text{mm}$

FİTİLLER / GASKETS				
MİKTAR / Unit	KOD / Code	PROFİL ÇİZİMİ / Drawing	PROFİL TANIMI / Description	KESİM ÖLÇÜSÜ / Cutting Dimensions
mt	KC-06		CAM FİTİLİ / Glazing Gasket	$(2xSW)+(2xSH)$
mt	KF 67-700		FİRÇA FİTİL / Brush Gasket - 7mm	$(2xSW)+(2xSH)$

AKSESUARLAR / ACCESSORIES				
2 Adet / Pcs	ASI-STP 03		KANAT STOPER / Sash Stopper	
8 Adet / Pcs	ASI-SB 19		KÖŞE GÖNYESİ / Corner Alignment	
4 Adet / Pcs	ASI-PB 1126		KANAT PİMLİ-PRESS BAĞLANTI / Sash Corner Joint with Button	
2 Adet / Pcs	ASI-SR 05R		AYARLI ÇİFTLİ RULMAN / Double Sliding Roller	
1 Adet / Pcs	ASI-SH 007B		ÇEKME HAVUZ KOL / Embedded Pull Handle	

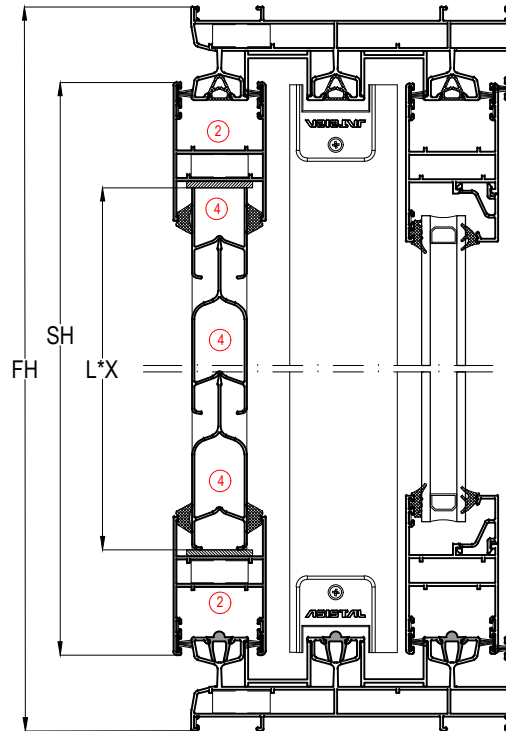
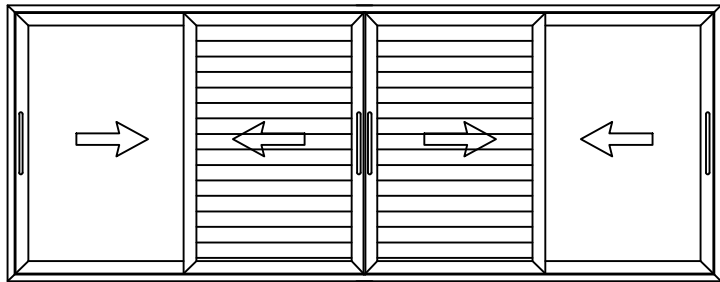
2 HAREKETLİ PANJUR KANAT KESİM ÖLÇÜLERİ

2 SLIDING SHUTTER SASHES CUTTING SIZE



HAREKETLİ PANJUR KASA SEÇENEĞİ SL40 04 DİR

SLIDING SHUTTER FRAME OPTION FOR SL40 04



PROFİLLER / PROFILES

NO / Number	ADET / Unit	KOD / Code	PROFİL ÇİZİMİ / Drawing	PROFİL TANIMI / Description	KESİM ÖLÇÜSÜ / Cutting Dimensions
1	4	SL40 13		DÜŞEY SHUTTER KANAT PROFİLİ / Vertical Shutter Sash Profile	$FW/4 + 20 \text{ mm}$
2	4	SL40 13		YATAY SHUTTER KANAT PROFİLİ / Horizontal Shutter Sash Profile	$FH-70\text{mm}$
3	X	SL40 72		LAMEL PROFİLİ EN / Lamella Profile Width	$SW - 96 \text{ mm}$
4	X	SL40 72		LAMEL PROFİLİ ADEDİ / Lamella Profile Pieces	$(FH - 96) / 61$
5	1	SL40 42		ADAPTÖR PROFİLİ / Adapter Profile	$SH-30$

FİTİLLER / GASKETS

MİKTAR / Unit	KOD / Code	PROFİL ÇİZİMİ / Drawing	PROFİL TANIMI / Description	KESİM ÖLÇÜSÜ / Cutting Dimensions
mt	KC-06		CAM FİTİLİ / Glazing Gasket	$(4xSW)+(4xSH)$
mt	KF 67-700		FIRÇA FİTİL / Brush Gasket - 7mm	$(4xSW)+(4xSH)$

AKSESUARLAR / ACCESSORIES

3 Adet / Pcs	ASI-STP 03		KANAT STOPER / Sash Stopper	
16 Adet / Pcs	ASI-SB 19		KÖŞE GÖNYESİ / Corner Alignment	
8 Adet / Pcs	ASI-PB 1126		KANAT PİMLİ-PRESS BAĞLANTI / Sash Corner Joint with Button	
4 Adet / Pcs	ASI-SR 05R		AYARLI ÇİFTLİ RULMAN / Double Sliding Roller	
2 Adet / Pcs	ASI-SH 007B		ÇEKME HAVUZ KOL / Embedded Pull Handle	