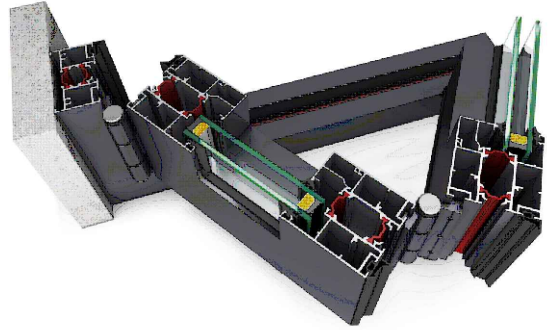
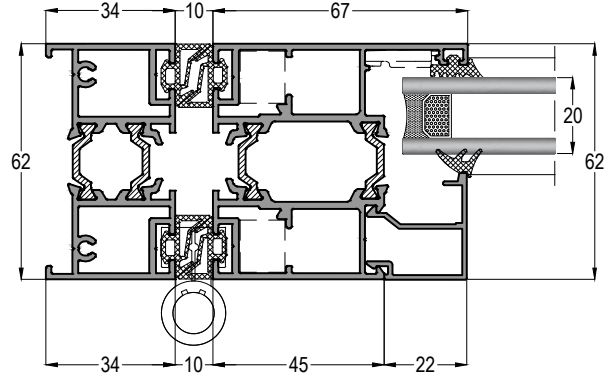
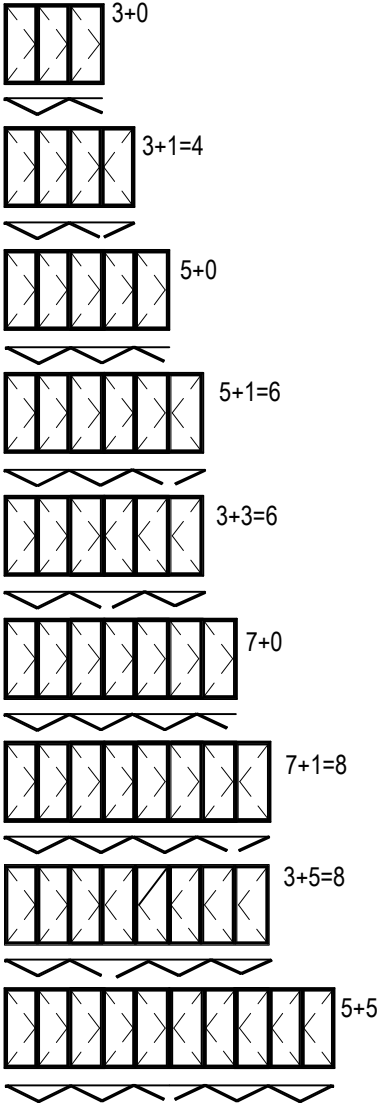


## FDT62

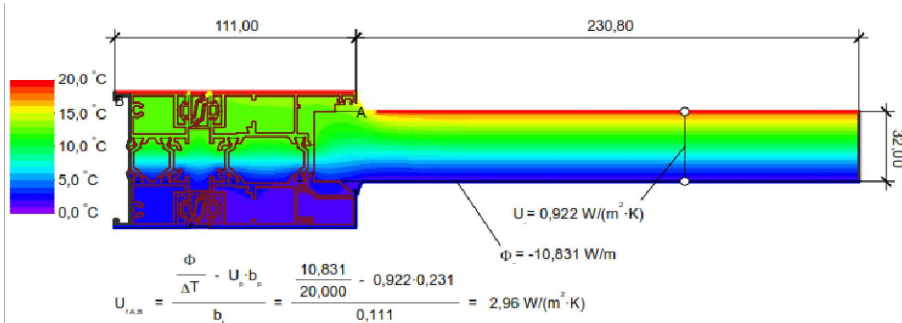
YALITIMLI KATLANIR KAPI SİSTEMİ  
THERMAL FOLDING DOOR SYSTEM

### İÇE VEYA DIŞA AÇILIR

INWARD OR OUTWARD OPENING

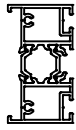
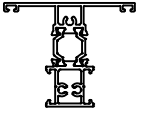
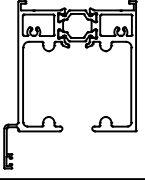
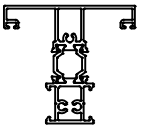
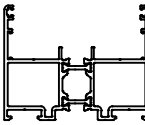

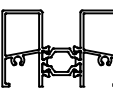

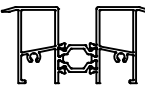

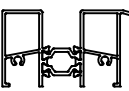

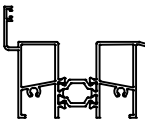
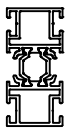
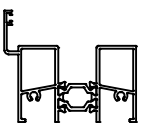
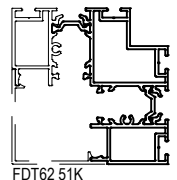
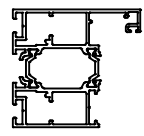
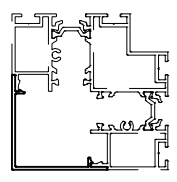
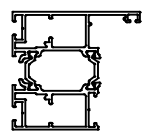



KASA DERİNLİĞİ	: 62 mm
Frame Depth	: 62 mm
KANAT DERİNLİĞİ	: 62 mm
Sash Depth	: 62 mm
SİSTEM ET KALINLIĞI	: 1,6 mm
System Wall Thickness	: 1,6 mm
ISI BARIYERİ	: 20 mm
Insulation Barrier	: 20 mm
CAM KALINLIĞI	: 4 - 45 mm
Glass Thickness	: 4 - 45 mm



**PROFİL VE AKSESUAR LİSTELERİ**  
*PROFILE & ACCESSORIES LISTS*

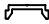




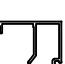





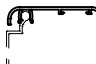

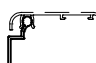






## PROFİL LİSTESİ - PROFILES LIST

FDT62 01			FDT62 21		
DİKEY KASA PROFİLİ VERTICAL FRAME PROFILE	AĞIRLIK / Weight 1,392 kg/mt		KANAT İÇİ ORTA KAYIT PROFİLİ MULLION/TRANSOM PROFILE FOR SASH PROFILE	AĞIRLIK / Weight 1,300 kg/mt	
FDT62 02			FDT62 22		
ÜST RAY PROFİLİ UPPER DRIVER PROFILE	AĞIRLIK / Weight 2,644 kg/mt		KANAT İÇİ ORTA KAYIT PROFİLİ MULLION/TRANSOM PROFILE FOR SASH PROFILE	AĞIRLIK / Weight 1,464 kg/mt	
FDT62 08			FDT62 41		
ÜST RAY ADAPTÖR PROFİLİ TOP RAIL ADAPTER PROFILE	AĞIRLIK / Weight 1,838 kg/mt		ADAPTÖR PROFİLİ ADAPTER PROFILE	AĞIRLIK / Weight 0,189 kg/mt	
FDT62 03			FDT62 42		
ALT RAY PROFİLİ LOWER DRIVER PROFILE	AĞIRLIK / Weight 1,322 kg/mt		KİL FİTİL ADAPTÖR PROFİLİ BRUSH ADAPTER PROFILE	AĞIRLIK / Weight 0,278 kg/mt	
FDT62 04			FDT62 43		
ALT RAY PROFİLİ LOWER DRIVER PROFILE	AĞIRLIK / Weight 1,386 kg/mt		KAPI ADAPTÖR PROFİLİ DOOR ADAPTER PROFILE	AĞIRLIK / Weight 0,308 kg/mt	
FDT62 05			FDT62 44		
ALT RAY PROFİLİ LOWER DRIVER PROFILE	AĞIRLIK / Weight 1,354 kg/mt		KAPI ADAPTÖR PROFİLİ DOOR ADAPTER PROFILE	AĞIRLIK / Weight 0,224 kg/mt	
FDT62 06			FDT62 45		
ALT RAY PROFİLİ LOWER DRIVER PROFILE	AĞIRLIK / Weight 1,486 kg/mt		ÇİFT KANAT ADAPTÖR PROFİLİ DOUBLE SASH ADAPTER PROFILE	AĞIRLIK / Weight 1,434 kg/mt	
FDT62 07			FDT62 51		
ALT RAY PROFİLİ LOWER DRIVER PROFILE	AĞIRLIK / Weight 1,454 kg/mt		90° KÖŞE PROFİLİ 90° CORNER PROFILE	AĞIRLIK / Weight 2,574 kg/mt	
FDT62 11			FDT62 51K		
KANAT PROFİLİ SASH PROFILE	AĞIRLIK / Weight 1,854 kg/mt		90° KÖŞE KAPAK PROFİLİ 90° CORNER COVER PROFILE	AĞIRLIK / Weight 0,460 kg/mt	
FDT62 12			12-41		
KANAT PROFİLİ SASH PROFILE	AĞIRLIK / Weight 1,800 kg/mt		TİJ PROFİLİ CONNECTING ROD	AĞIRLIK / Weight 0,118 kg/mt	

Profil ağırlıklarımız teorik olup, teslim anındaki tartımız geçerlidir.

Profile weights are theoretical and the weight at the time of delivery is valid.








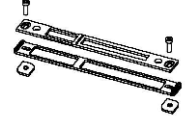

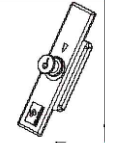

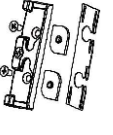

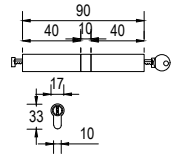


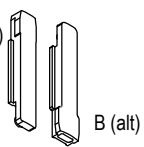
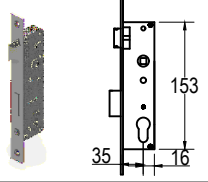


## PROFİL LİSTESİ - PROFILES LIST

12-62			11-030		
TİJ PROFİLİ CONNECTING ROD	AĞIRLIK / Weight 0,191 kg/mt		CAM ÇİTASI-30 mm GLAZING BEAD PROFILE	AĞIRLIK / Weight 0,308 kg/mt	
11-004			11-032		
CAM ÇİTASI-4 mm GLAZING BEAD PROFILE	AĞIRLIK / Weight 0,181 kg/mt		CAM ÇİTASI-32 mm GLAZING BEAD PROFILE	AĞIRLIK / Weight 0,315 kg/mt	
11-106			11-035		
CAM ÇİTASI-6 mm GLAZING BEAD PROFILE	AĞIRLIK / Weight 0,202 kg/mt		CAM ÇİTASI-35 mm GLAZING BEAD PROFILE	AĞIRLIK / Weight 0,323 kg/mt	
11-010			11-038		
CAM ÇİTASI-10 mm GLAZING BEAD PROFILE	AĞIRLIK / Weight 0,233 kg/mt		CAM ÇİTASI-38 mm GLAZING BEAD PROFILE	AĞIRLIK / Weight 0,334 kg/mt	
11-015			11-044		
CAM ÇİTASI-15 mm GLAZING BEAD PROFILE	AĞIRLIK / Weight 0,242 kg/mt		CAM ÇİTASI-44 mm GLAZING BEAD PROFILE	AĞIRLIK / Weight 0,338 kg/mt	
11-017			12-52		
CAM ÇİTASI-17 mm GLAZING BEAD PROFILE	AĞIRLIK / Weight 0,250 kg/mt		PERVAZ PROFİLİ BORDER PROFILE	AĞIRLIK / Weight 0,279 kg/mt	
11-020			12-53		
CAM ÇİTASI-20 mm GLAZING BEAD PROFILE	AĞIRLIK / Weight 0,276 kg/mt		PERVAZ MONTAJ PROFİLİ BORDER FIXING PROFILE	AĞIRLIK / Weight 0,177 kg/mt	
11-022			12-54		
CAM ÇİTASI-22 mm GLAZING BEAD PROFILE	AĞIRLIK / Weight 0,282 kg/mt		PERVAZ PROFİLİ BORDER PROFILE	AĞIRLIK / Weight 0,326 kg/mt	
11-026			12-57		
CAM ÇİTASI-26 mm GLAZING BEAD PROFILE	AĞIRLIK / Weight 0,296 kg/mt		PERVAZ PROFİLİ BORDER PROFILE	AĞIRLIK / Weight 0,358 kg/mt	
11-028			10-010119-00		
CAM ÇİTASI-28 mm GLAZING BEAD PROFILE	AĞIRLIK / Weight 0,302 kg/mt		KÖŞE TAKOZU - 11,9mm CORNER JOINT PROFILE	AĞIRLIK / Weight 2,843 kg/mt	

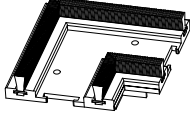
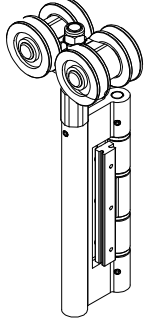

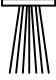
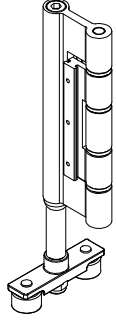
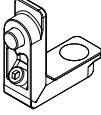
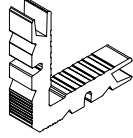
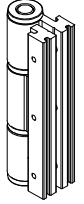
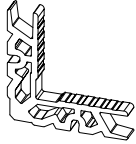
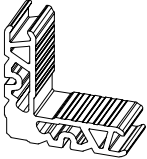
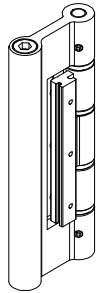

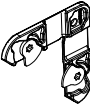
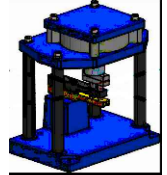
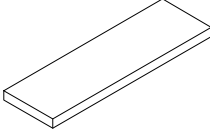
Profil ağırlıklarımız teorik olup, teslim anındaki tartımız geçerlidir.

Profile weights are theoretical and the weight at the time of delivery is valid.

## AKSESUAR LİSTESİ - ACCESSORIES LIST

EP1-01			FDA-K 01		
DIŞ CAM FİTİLİ - 3,5 mm <i>OUTER GLAZING GASKET</i>	KOLİ MİKTARI/Package 240 mt / 15 kg		ÇİFT YÖNLÜ KİLİTLEME KOLU <i>GEAR BOX-HANDLE</i>	KOLİ MİKTARI/Package Adet / Piece	
KC 02			FDA-GB 01		
CAM FİTİLİ - 2 mm <i>GLAZING GASKET</i>	KOLİ MİKTARI/Package 100 mt / 4,5 kg		ÇİFT YÖNLÜ KİLİTLEME <i>GEAR BOX-TWO WAY</i>	KOLİ MİKTARI/Package Adet / Piece	
EP2-01			ASI-LS 314890		
İÇ CAM FİTİLİ - 3 mm <i>INNER GLAZING GASKET</i>	KOLİ MİKTARI/Package 440 mt / 15 kg		İSPANYOLET KİLİTLEME <i>MULTIPOINT LOCK WITH KEY</i>	KOLİ MİKTARI/Package Adet / Piece	
EP2-02			ASI-LS 301645		
İÇ CAM FİTİLİ - 4 mm <i>INNER GLAZING GASKET</i>	KOLİ MİKTARI/Package 300 mt / 15 kg		İSPANYOLET KİLİT KARŞILIĞI <i>LOCK STRIKES FOR MULTIPOINT LOCK</i>	KOLİ MİKTARI/Package Adet / Piece	
EP2-03			ASI-RP 314750		
İÇ CAM FİTİLİ - 5 mm <i>INNER GLAZING GASKET</i>	KOLİ MİKTARI/Package 250 mt / 15 kg		TİJ PİMİ <i>ROD PROFILE LOCKING</i>	KOLİ MİKTARI/Package Adet / Piece	
EP3-03			ASI-RS 311100		
KANAT BİNİ FİTİLİ <i>SASH GASKET</i>	KOLİ MİKTARI/Package 430 mt / 15 kg		PİM KARŞILIK <i>ROD PROFILE STRIKE</i>	KOLİ MİKTARI/Package Adet / Piece	
EP62-01			ASI-BRL 90S		
ORTA BİNİ FİTİLİ <i>GASKET FOR OPEN JOINT</i>	KOLİ MİKTARI/Package 150 mt / 15 kg		90 LİK SİMETRİK BAREL <i>SYMMETRIC CYLINDER 90</i>	KOLİ MİKTARI/Package Adet / Piece	
EP62-02			ASI-DH 002		
KANAT BİNİ FİTİLİ <i>GASKET FOR FRAME</i>	KOLİ MİKTARI/Package mt / kg		KAPI KOLU <i>DOOR HANDLE</i>	KOLİ MİKTARI/Package Adet / Piece	
FDA-B 01			ASI-153 35		
SÜRGÜ KİLİTLEME <i>FIXING BOLT</i>	KOLİ MİKTARI/Package Takım / Set		DİLLİ KİLİT <i>MOURTISE LOCK WITH CYLINDER</i>	KOLİ MİKTARI/Package Adet / Piece	
FDA-B 02			ASI-LS 90185D		
SÜRGÜ KİLİTLEME KOLU <i>FIXING BOLT HANDLE</i>	KOLİ MİKTARI/Package Adet / Piece		DİLLİ KİLİT KARŞILIĞI <i>LOCK STRIKES</i>	KOLİ MİKTARI/Package Adet / Piece	

## AKSESUAR LİSTESİ - ACCESSORIES LIST

FDA-B 03			FDA-H 001		
KÖŞE KAPAK COVER FOR CORNER	KOLİ MİKTARI/Package Adet / Piece		ÜST MENTEŞE TOP HINGE	KOLİ MİKTARI/Package Adet / Piece	
12-41P					
POLYAMİD TİJ PROFİLİ POLYAMIDE CONNECTING ROD PROFILE - 19mm	KOLİ MİKTARI/Package 6mt / Adet				
KF 67-700			FDA-H 002		
FİRÇA FİTİL - 7mm BRUSH GASKET	KOLİ MİKTARI/Package 1100 mt		ALT MENTEŞE BOTTOM HINGE	KOLİ MİKTARI/Package Adet / Piece	
ASI-PB 1214					
PİMLİ KÖŞE BAĞLANTI CORNER JOINT	KOLİ MİKTARI/Package Adet / Piece				
ASI-KT 1214			FDA-H 003		
KÖŞE TAKOZU CORNER JOINT	KOLİ MİKTARI/Package Adet / Piece		ARA MENTEŞE STANDART HINGE	KOLİ MİKTARI/Package Adet / Piece	
ASI-KT 1606					
KÖŞE TAKOZU CORNER JOINT	KOLİ MİKTARI/Package Adet / Piece				
ASI-KT 1819			FDA-H 004		
KÖŞE TAKOZU CORNER JOINT	KOLİ MİKTARI/Package Adet / Piece		ÇEKME KOL PULL HANDLE	KOLİ MİKTARI/Package Adet / Piece	
ASI-FUJİ 2000					
AYARLI KÖŞE GÖNYESİ CORNER ALIGNMENT	KOLİ MİKTARI/Package 200 Adet / Piece				
ASI-FUJİ 2500			PNC-FDT62 (Pnömatik)		
AYARLI ORTA KAYIT BAĞLANTI T JOINT CONNECTION	KOLİ MİKTARI/Package Adet / Piece		PİMLİ BAĞLANTI PANÇ MAKİNESİ PUNCH MACHINE FOR CORNER JOINT WITH BUTTON	KOLİ MİKTARI/Package Adet / Piece	
FDA-M 01					
ÜST KASA MONTAJ PARÇASI FRAME FIXED PART	KOLİ MİKTARI/Package Adet / Piece				

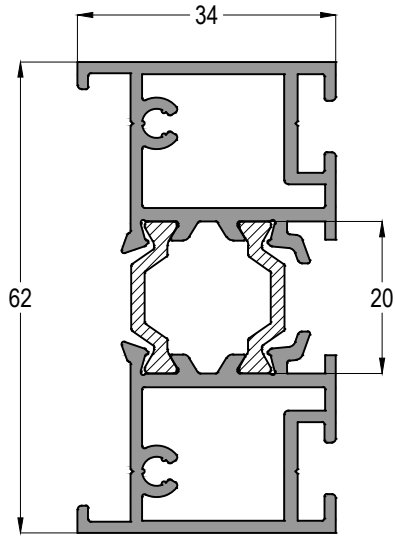
## **PROFİL DETAYLARI**

*PROFILE DETAILS*

# FDT62

YALITIMLI KATLANIR KAPI SİSTEMİ  
THERMAL FOLDING DOOR SYSTEM

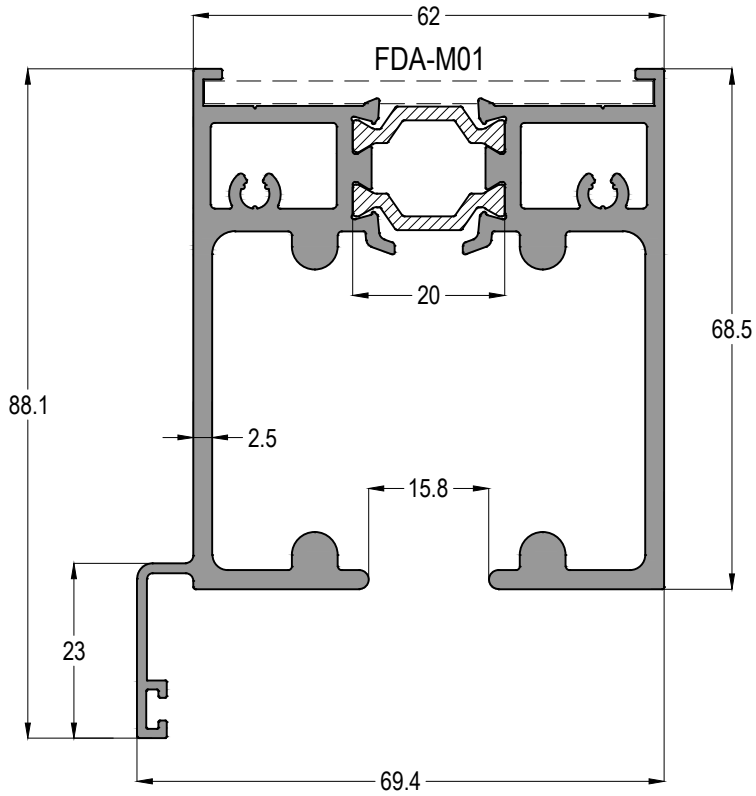
## ASISTAL



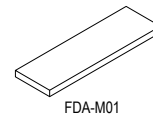
FDT62 01

AĞIRLIK / Weight

1,392 kg/mt



FDT62 02



FDA-M01

AĞIRLIK / Weight

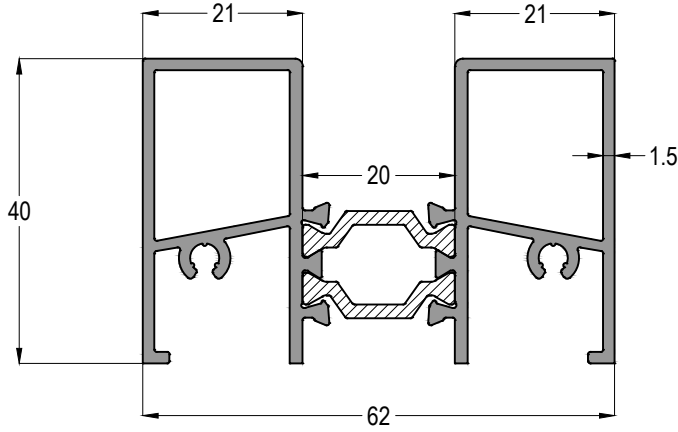
2,644 kg/mt



# FDT62

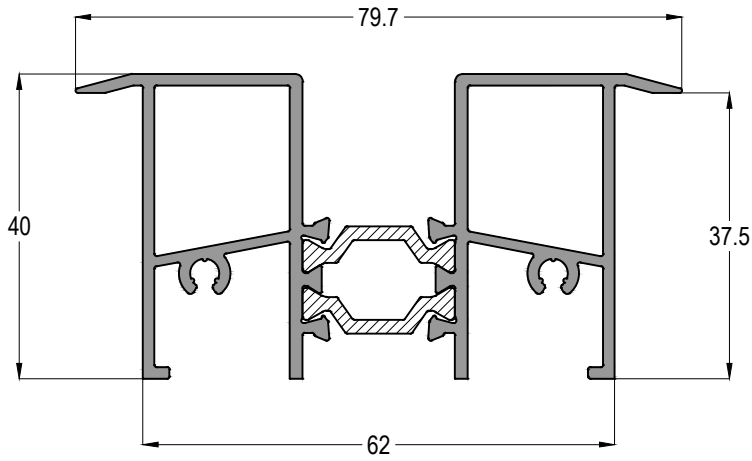
YALITIMLI KATLANIR KAPI SİSTEMİ  
THERMAL FOLDING DOOR SYSTEM

# ASISTAL



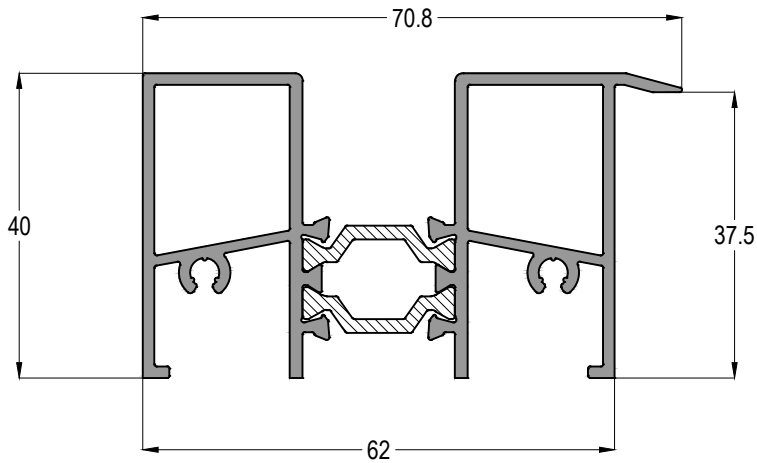
## FDT62 03

FDT62 03	
	AĞIRLIK / Weight
	1,322 kg/mt



## FDT62 04

FDT62 04	
	AĞIRLIK / Weight
	1,386 kg/mt



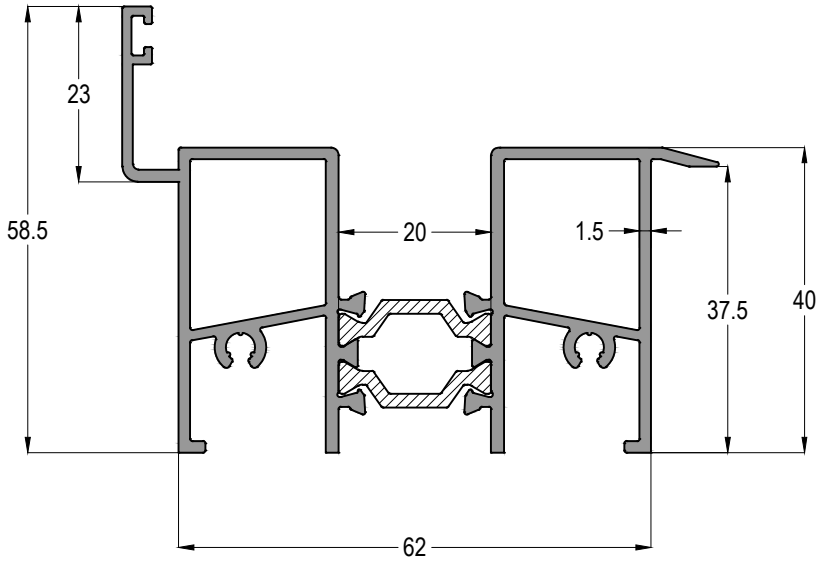
## FDT62 05

FDT62 05	
	AĞIRLIK / Weight
	1,354 kg/mt

# FDT62

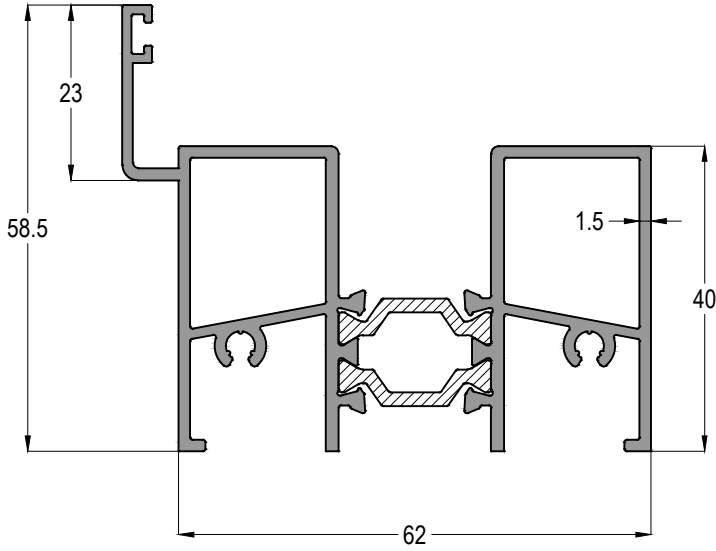
YALITIMLI KATLANIR KAPI SİSTEMİ  
THERMAL FOLDING DOOR SYSTEM

## ASISTAL



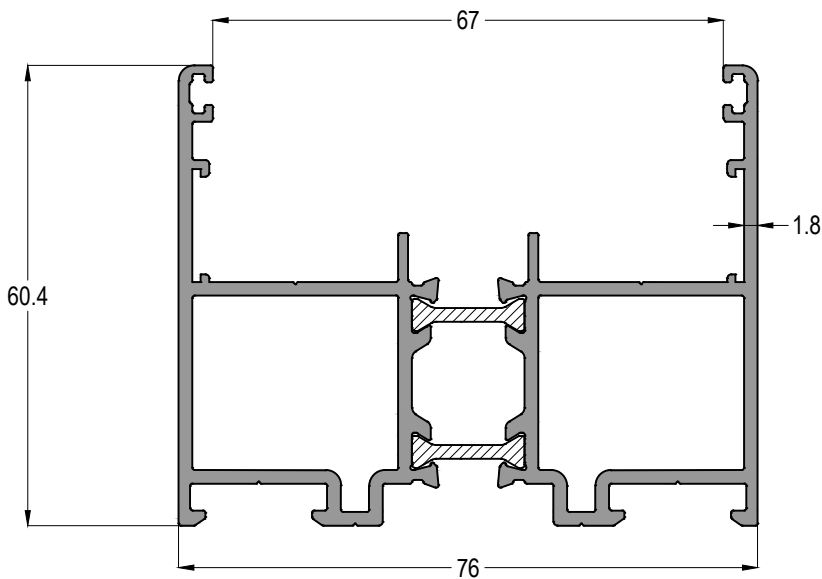
### FDT62 06

FDT62 06	
	AĞIRLIK / Weight
	1,486 kg/mt



### FDT62 07

FDT62 07	
	AĞIRLIK / Weight
	1,454 kg/mt



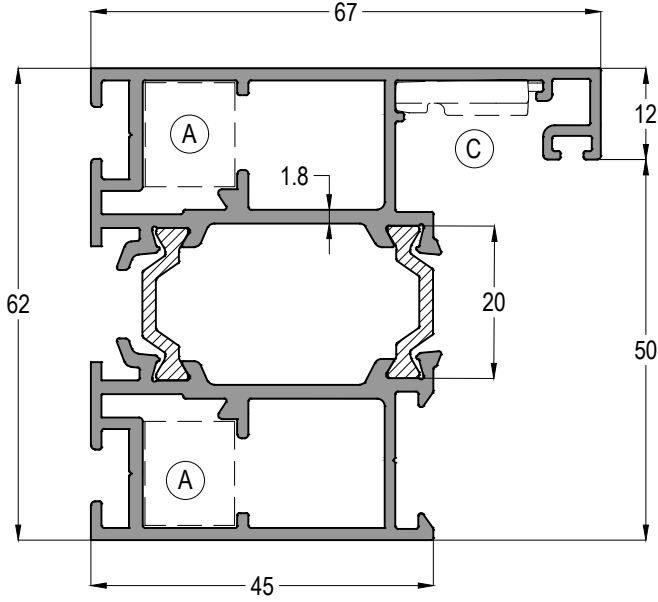
### FDT62 08

FDT62 08	
	AĞIRLIK / Weight
	1,838 kg/mt



# FDT62

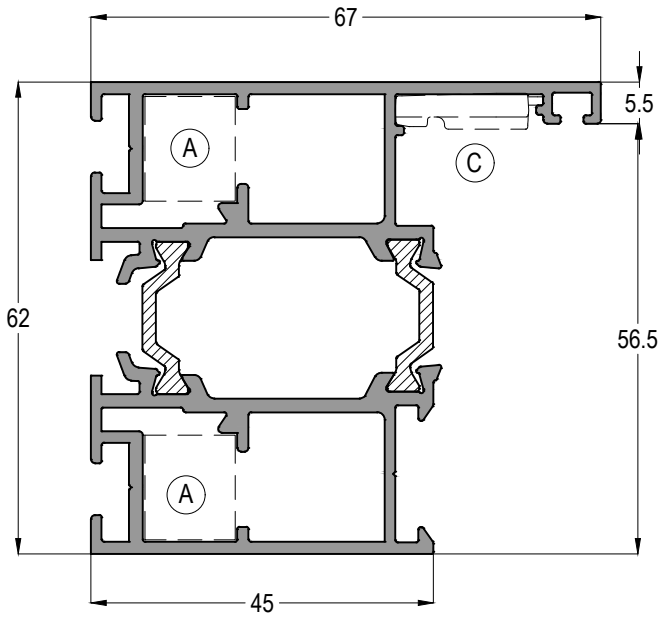
YALITIMLI KATLANIR KAPI SİSTEMİ  
THERMAL FOLDING DOOR SYSTEM

## ASISTAL





### FDT62 11

 ASI-PB 1214 ~ ASI-KT 1214	 ASI-FUJII 2000	AĞIRLIK / Weight 1,854 kg/mt
---	---	---------------------------------



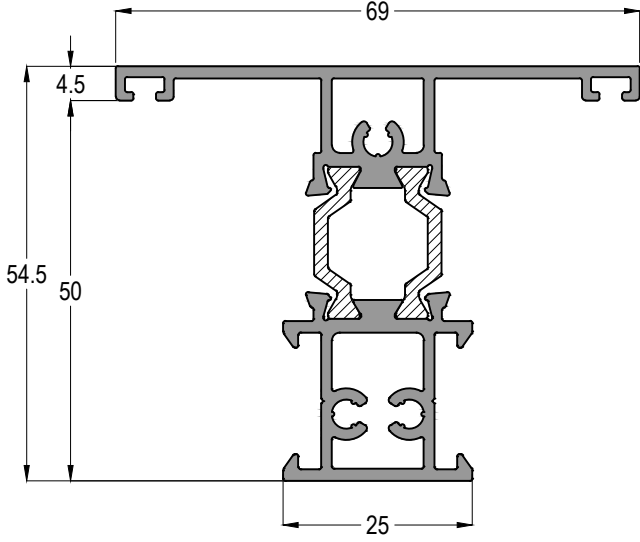
### FDT62 12

 ASI-PB 1214 ~ ASI-KT 1214	 ASI-FUJII 2000	AĞIRLIK / Weight 1,800 kg/mt
---	---	---------------------------------

# FDT62

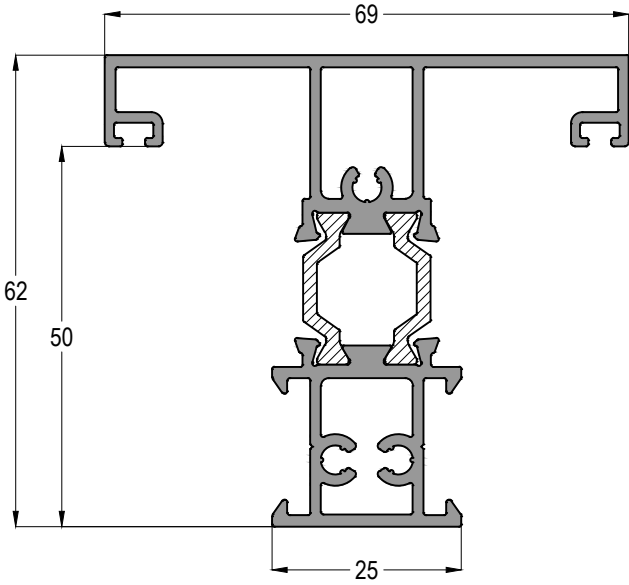
YALITIMLI KATLANIR KAPI SİSTEMİ  
THERMAL FOLDING DOOR SYSTEM

**ASISTAL**



## FDT62 21

FDT62 21	
	AĞIRLIK / Weight
	1,300 kg/mt



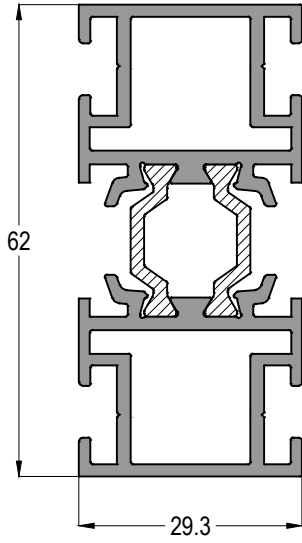
## FDT62 22

FDT62 22	
	AĞIRLIK / Weight
	1,454 kg/mt

# FDT62

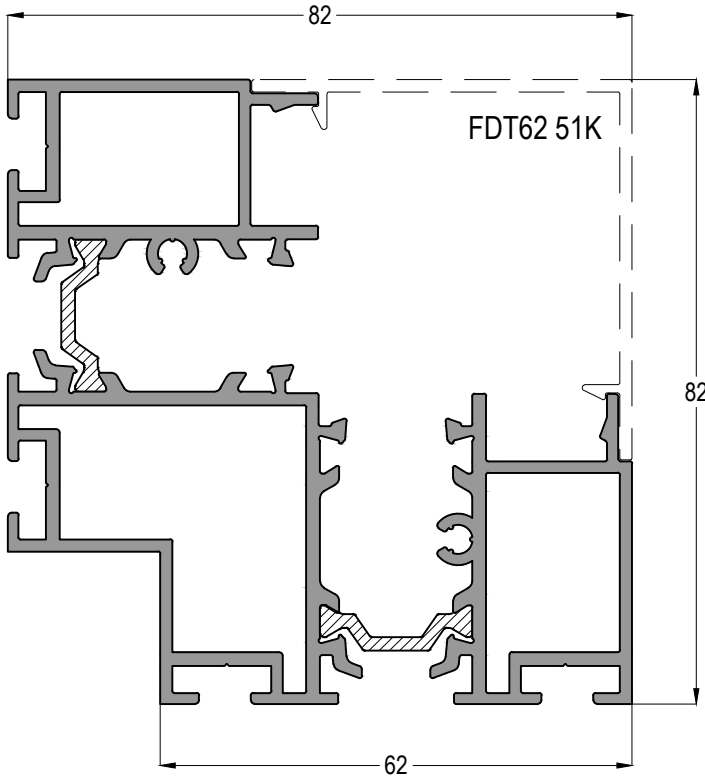
YALITIMLI KATLANIR KAPI SİSTEMİ  
THERMAL FOLDING DOOR SYSTEM

## ASISTAL



### FDT62 45

FDT62 45	
	AĞIRLIK / Weight
	1,434 kg/mt

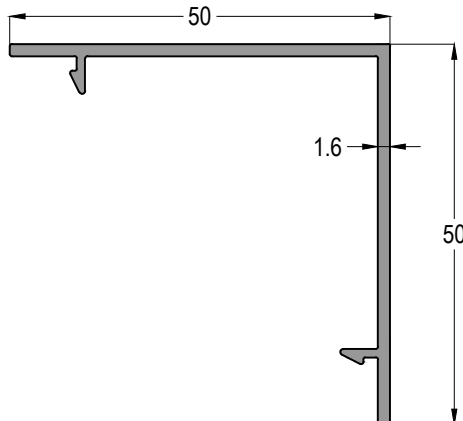


### FDT62 51



FDA-B 03

FDT62 51	
	AĞIRLIK / Weight
	2,574 kg/mt



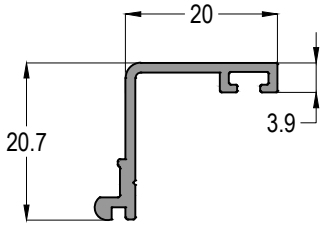
### FDT62 51K

FDT62 51K	
	AĞIRLIK / Weight
	0,460 kg/mt

# FDT62

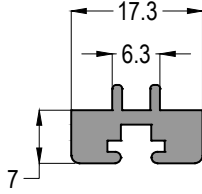
YALITIMLI KATLANIR KAPI SİSTEMİ  
THERMAL FOLDING DOOR SYSTEM

# ASISTAL



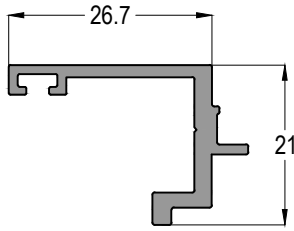
## FDT62 41

	AĞIRLIK / Weight
	0,189 kg/mt



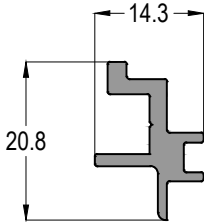
## FDT62 42

	AĞIRLIK / Weight
	0,278 kg/mt



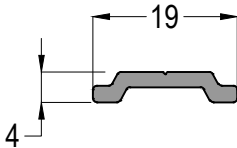
## FDT62 43

	AĞIRLIK / Weight
	0,308 kg/mt



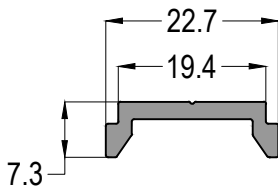
## FDT62 44

	AĞIRLIK / Weight
	0,224 kg/mt



## 12-41

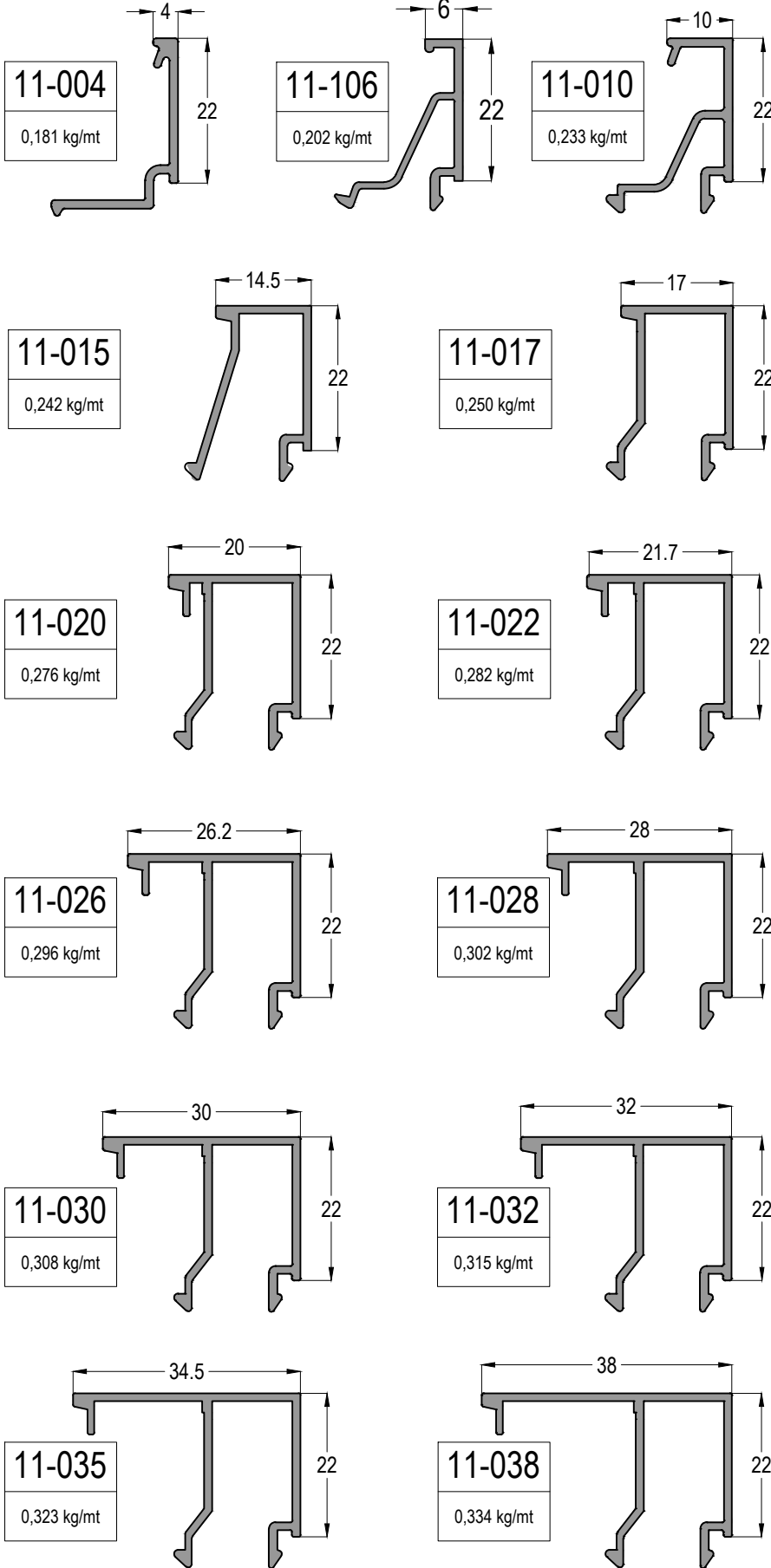
	AĞIRLIK / Weight
	0,118 kg/mt



## 12-62

	AĞIRLIK / Weight
	0,191 kg/mt

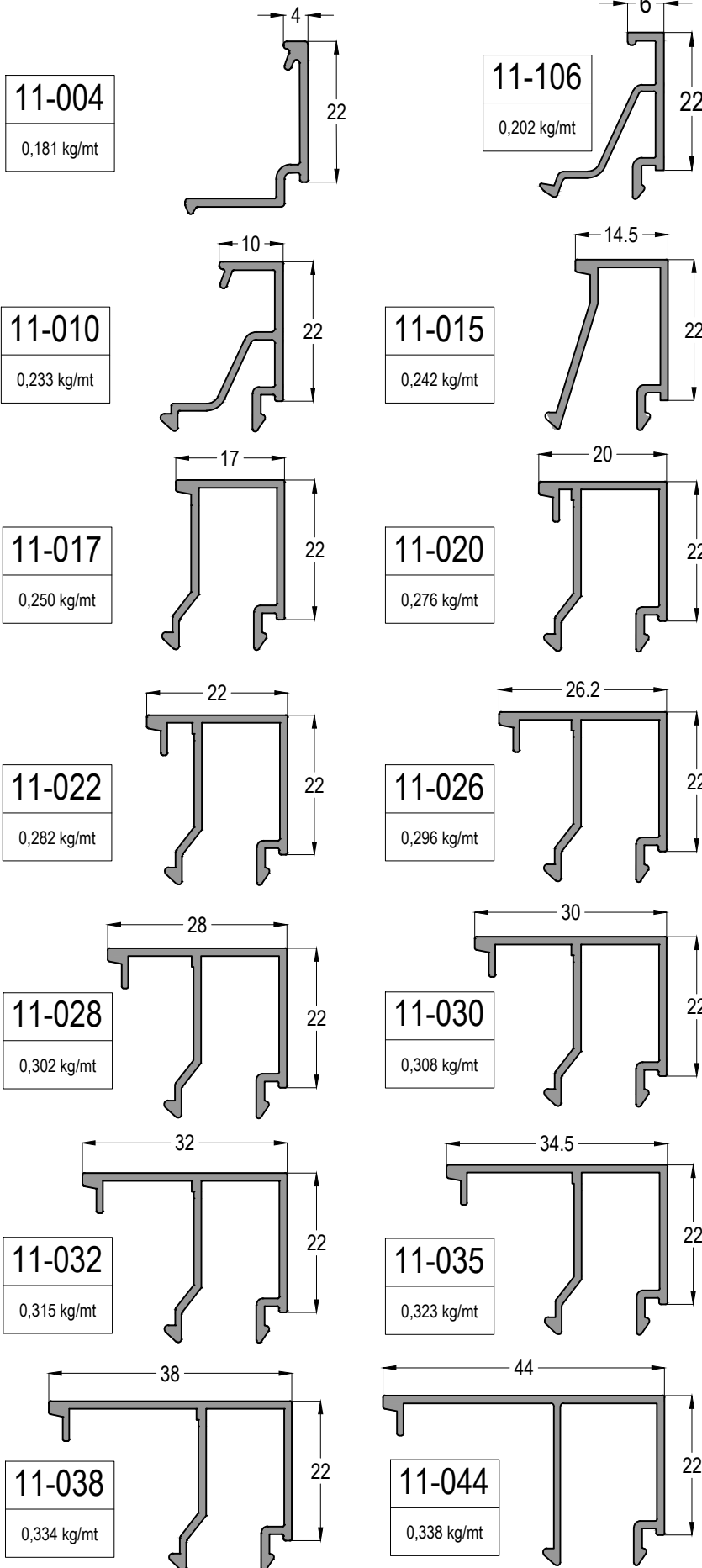
### FDT62 11 NOLU KANAT İÇİN CAM ÇİTASI SEÇİMİ GLAZING BEAD FOR FDT62 11



CAM KALINLIĞINA GÖRE CAM ÇİTASI SEÇİM TABLOSU  
Glazing Bead Selection Table  
according to the Glass Thickness

CAM KALINLIĞI Glass Thickness (mm)	CAM ÇİTASI Glazing Bead	İÇ CAM FİTİLİ Glass Gasket (IN)	DIŞ CAM FİTİLİ Glass Gasket (OUT)
4	11-038	EP2-02	EP1-01
5	11-038	EP2-01	EP1-01
6	11-035	EP2-03	EP1-01
7	11-035	EP2-02	EP1-01
8	11-035	EP2-01	EP1-01
10	11-032	EP2-02	EP1-01
11	11-032	EP2-01	EP1-01
12	11-030	EP2-02	EP1-01
13	11-030	EP2-01	EP1-01
14	11-028	EP2-02	EP1-01
15	11-028	EP2-01	EP1-01
16	11-026	EP2-02	EP1-01
17	11-026	EP2-01	EP1-01
18	11-026	KC-02	EP1-01
20	11-022	EP2-02	EP1-01
21	11-022	EP2-01	EP1-01
22	11-020	EP2-02	EP1-01
23	11-020	EP2-01	EP1-01
24	11-017	EP2-03	EP1-01
26	11-017	EP2-01	EP1-01
27	11-017	KC-02	EP1-01
28	11-015	EP2-01	EP1-01
29	11-015	KC-02	EP1-01
32	11-010	EP2-02	EP1-01
33	11-010	EP2-01	EP1-01
34	11-010	KC-02	EP1-01
36	11-106	EP2-02	EP1-01
37	11-106	EP2-01	EP1-01
38	11-106	KC-02	EP1-01
40	11-004	KC-02	EP1-01

### FDT62 12 NOLU KANAT İÇİN CAM ÇİTASI SEÇİMİ GLAZING BEAD FOR FDT62 12

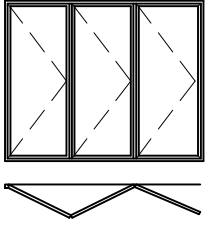


CAM KALINLIĞINA GÖRE CAM ÇİTASI SEÇİM TABLOSU  
Glazing Bead Selection Table  
according to the Glass Thickness

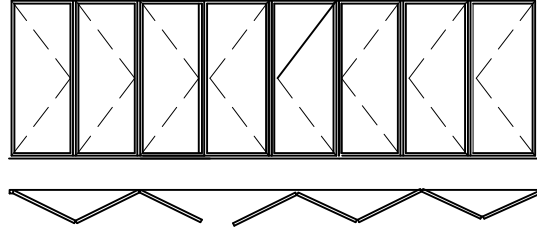
CAM KALINLIĞI Glass Thickness (mm)	CAM ÇİTASI Glazing Bead	İÇ CAM FİTİLİ Glass Gasket (IN)	DIŞ CAM FİTİLİ Glass Gasket (OUT)
4	11-044	EP2-03	EP1-01
5	11-044	EP2-02	EP1-01
6	11-044	EP1-01	EP1-01
10	11-038	EP2-02	EP1-01
11	11-038	EP2-01	EP1-01
12	11-035	EP2-03	EP1-01
13	11-035	EP2-02	EP1-01
14	11-035	EP2-01	EP1-01
16	11-032	EP2-02	EP1-01
17	11-032	EP2-01	EP1-01
18	11-030	EP2-03	EP1-01
19	11-030	EP2-02	EP1-01
20	11-028	EP2-03	EP1-01
21	11-028	EP2-02	EP1-01
22	11-026	EP2-03	EP1-01
23	11-026	EP2-02	EP1-01
24	11-022	EP2-03	EP1-01
26	11-022	EP2-02	EP1-01
27	11-022	EP2-01	EP1-01
28	11-020	EP2-03	EP1-01
29	11-020	EP2-02	EP1-01
30	11-017	EP2-03	EP1-01
31	11-017	EP2-02	EP1-01
32	11-017	EP2-01	EP1-01
33	11-015	EP2-03	EP1-01
34	11-015	EP2-02	EP1-01
38	11-010	EP2-03	EP1-01
39	11-010	EP2-02	EP1-01
40	11-106	EP2-03	EP1-01
42	11-106	EP2-02	EP1-01
44	11-004	EP2-03	EP1-01
45	11-004	EP2-02	EP1-01



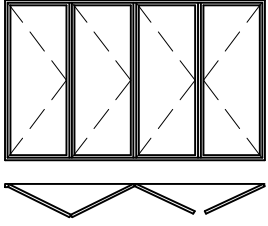
## İÇE veya DIŞA AÇILIM TİPLERİ - OPENING TYPES (INWARD OR OUTWARD)



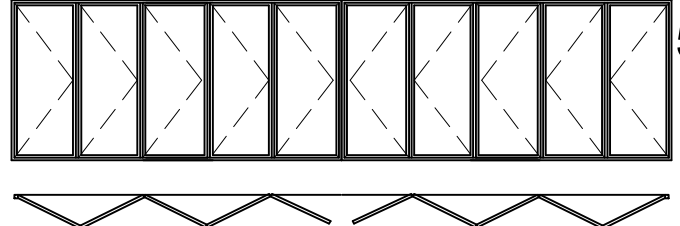
3+0



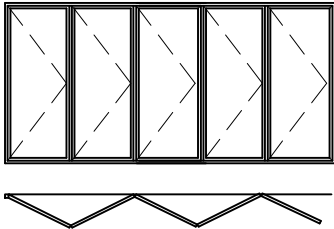
3+5=8



3+1=4

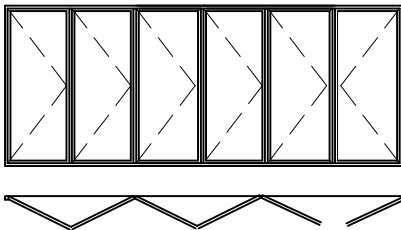
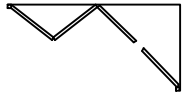
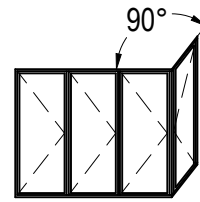


5+5



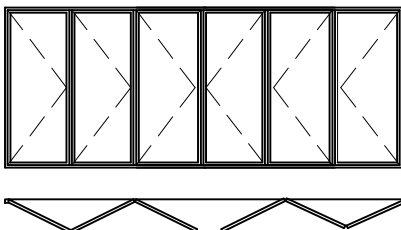
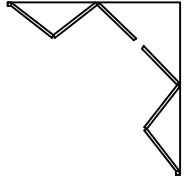
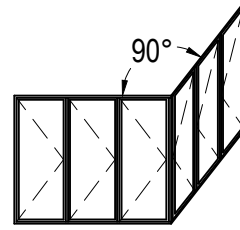
5+0

3+1



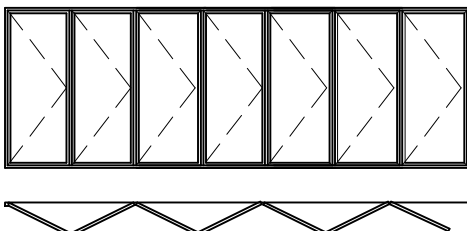
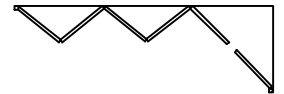
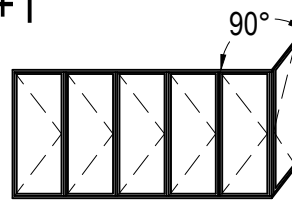
5+1=6

3+3



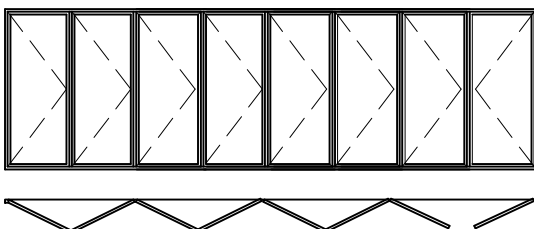
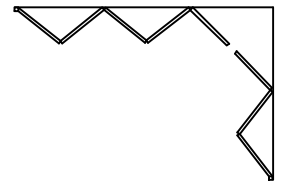
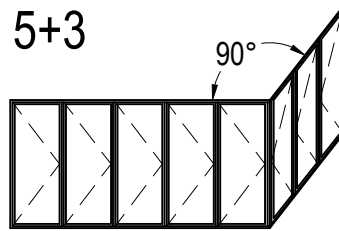
3+3=6

5+1



7+0

5+3



7+1=8

**FDT62 - 1,6mm**

YALITIMLI KATLANIR KAPI SİSTEMİ  
FOLDING DOOR SYSTEM

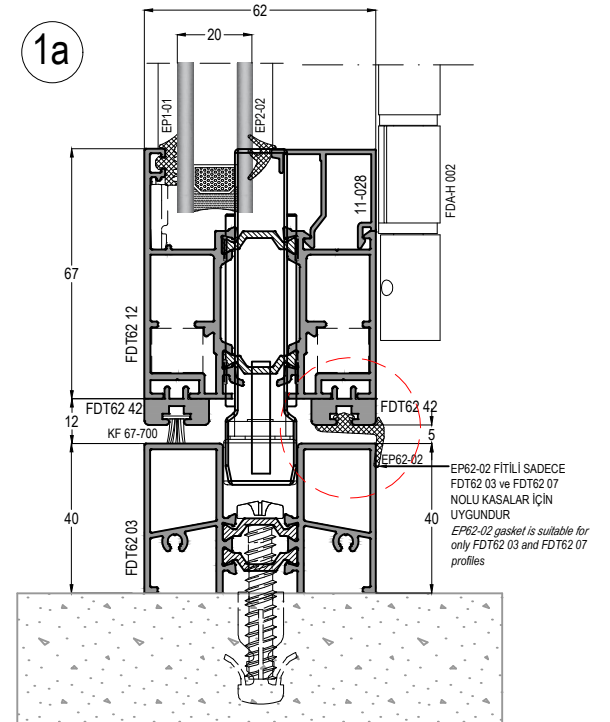
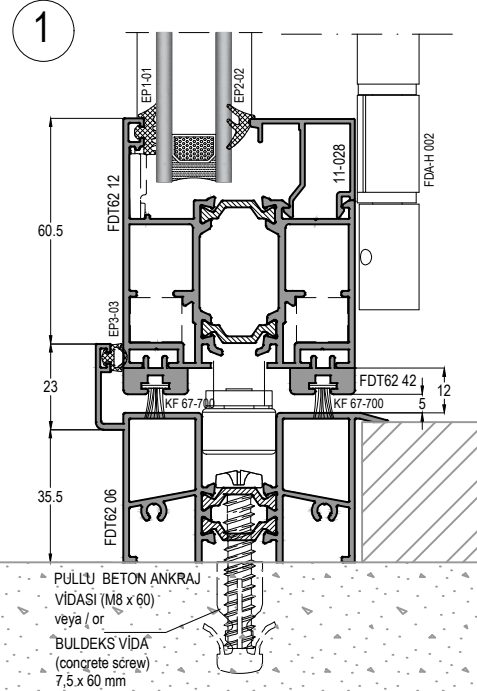
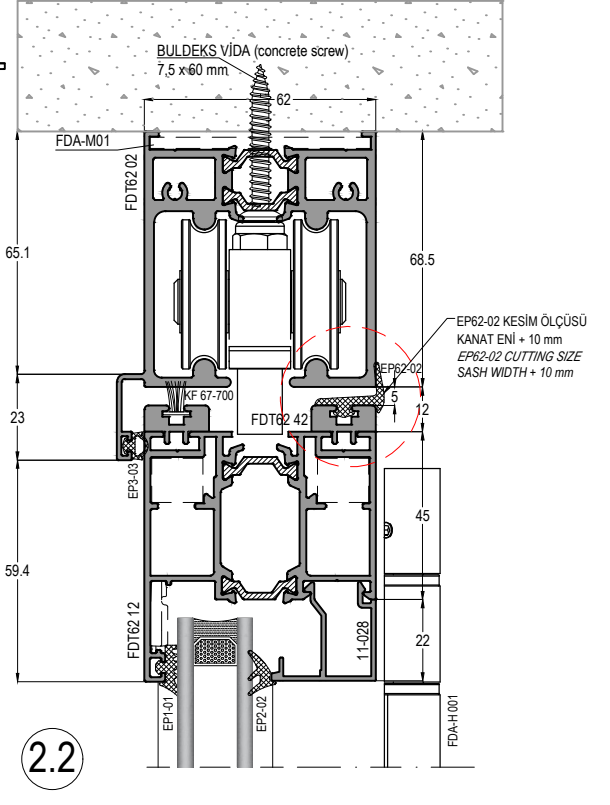
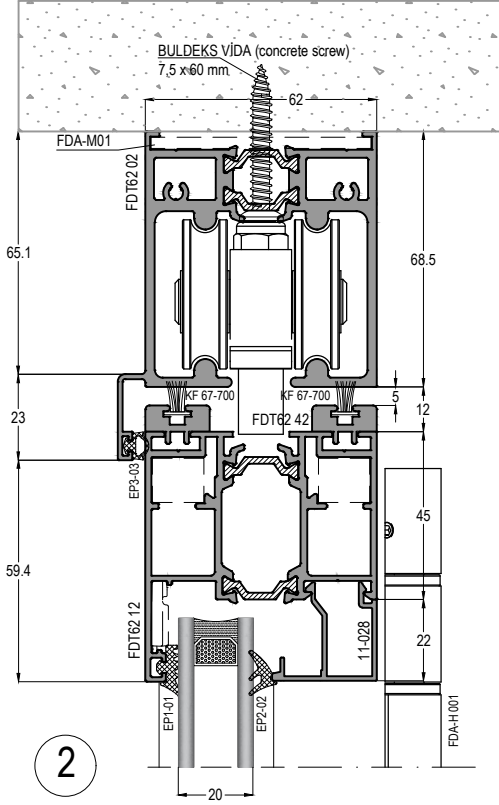
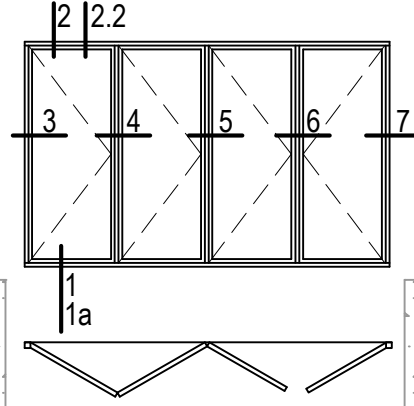
**ASISTAL**

**SİSTEM DETAYLARI**  
*SYSTEM DETAILS*

# FDT62

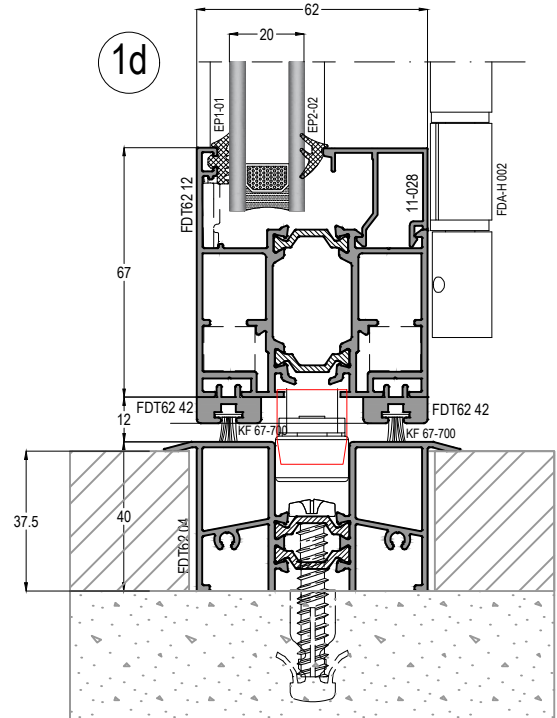
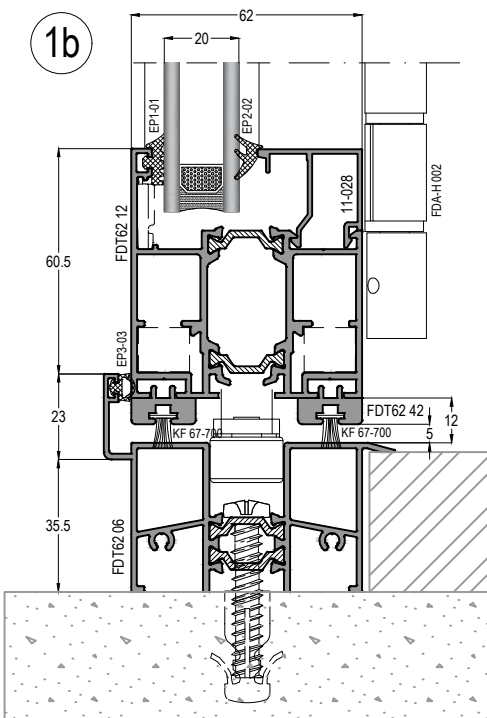
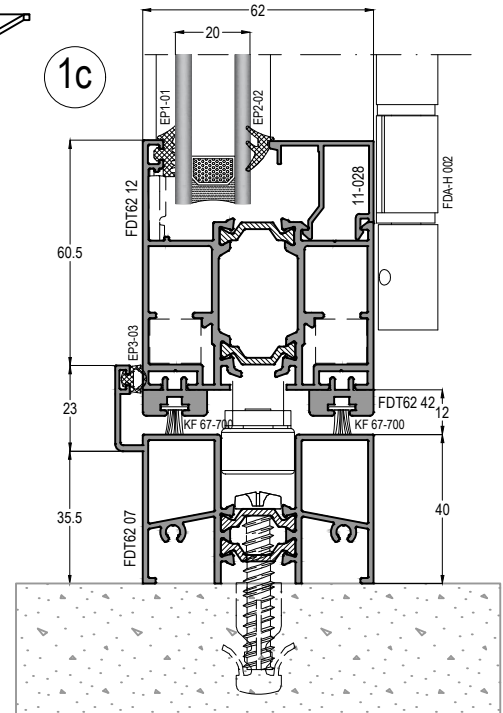
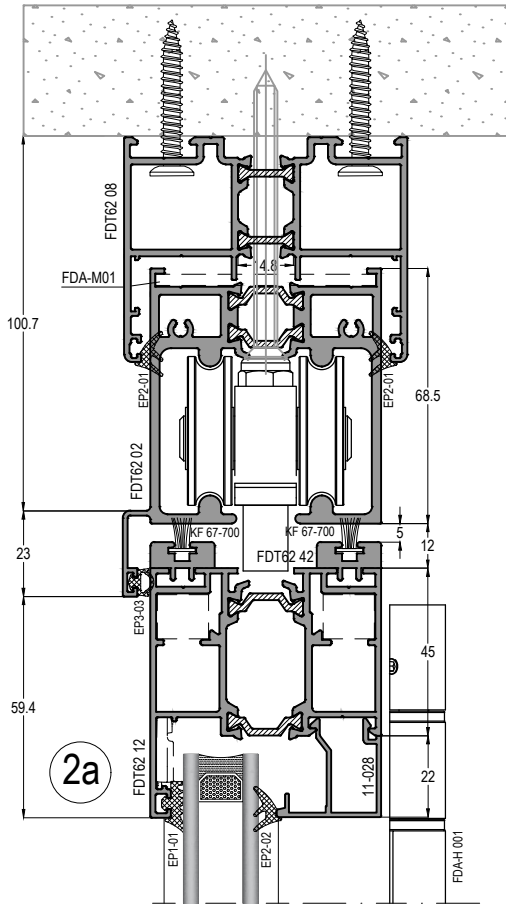
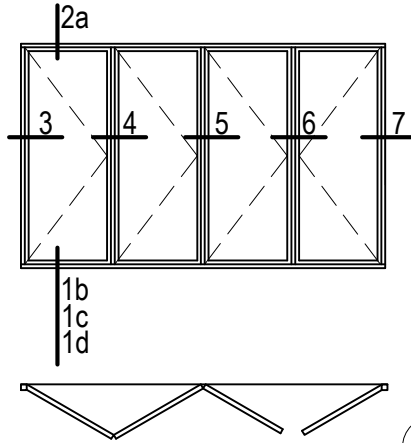
YALITIMLI KATLANIR KAPI SİSTEMİ  
THERMAL FOLDING DOOR SYSTEM

# ASISTAL



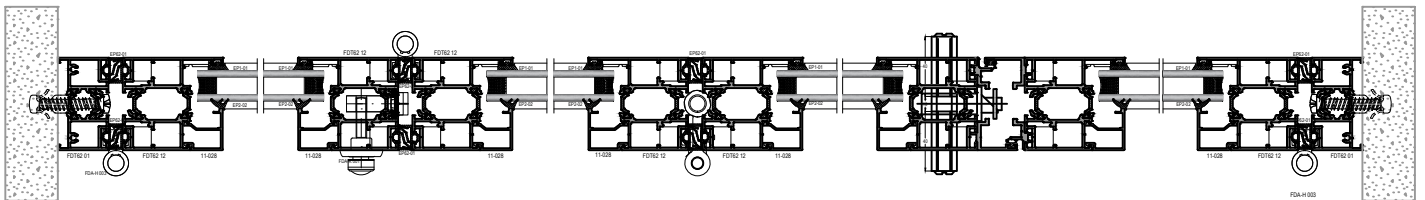
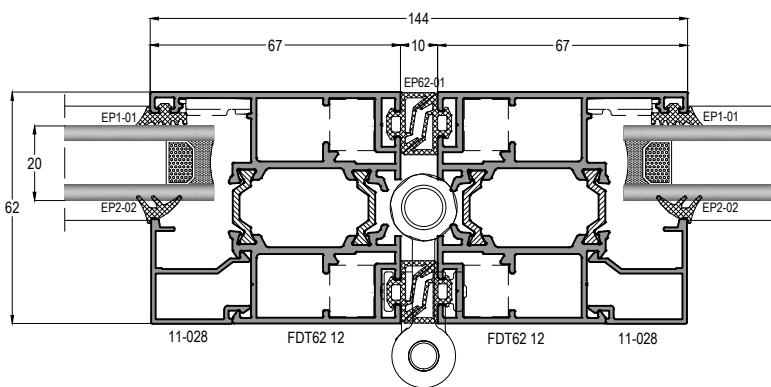
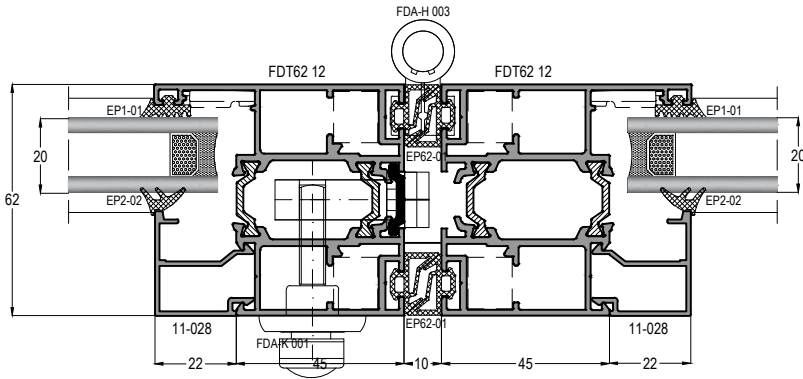
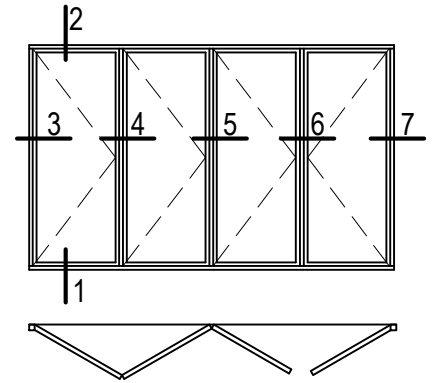
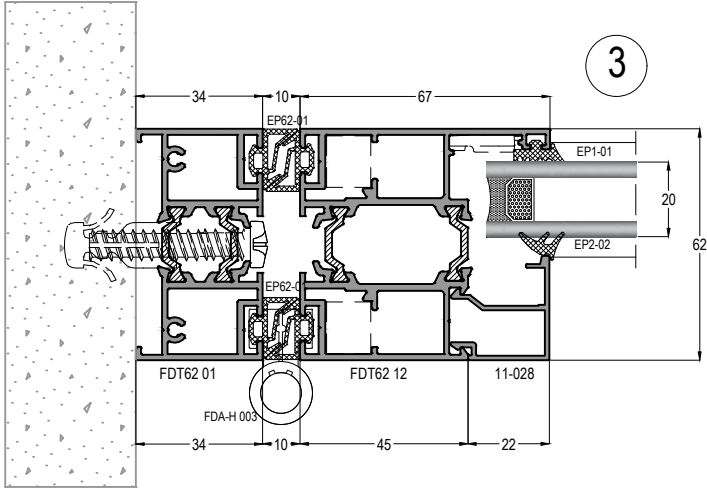
# FDT62

YALITIMLI KATLANIR KAPI SİSTEMİ  
THERMAL FOLDING DOOR SYSTEM



# FDT62

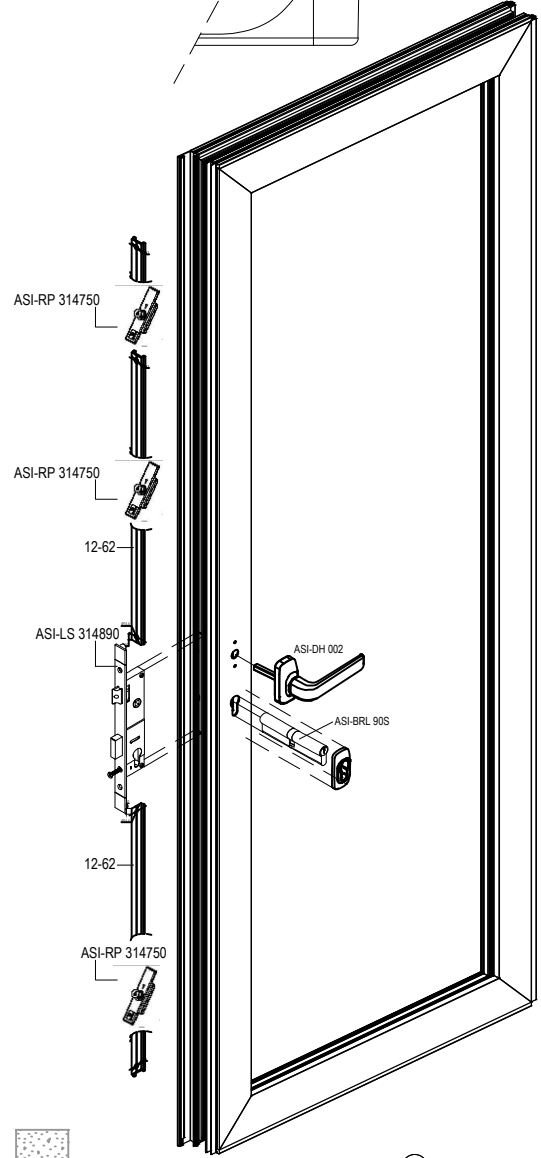
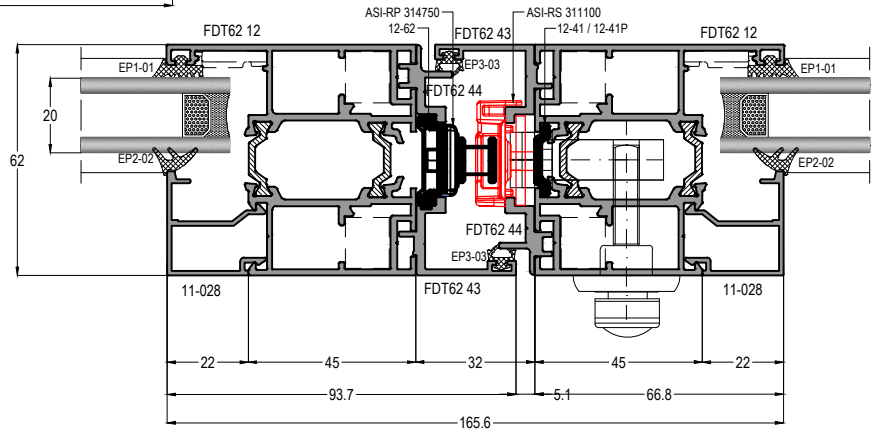
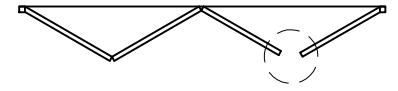
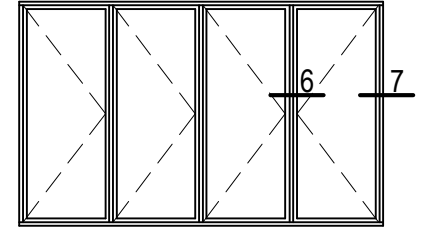
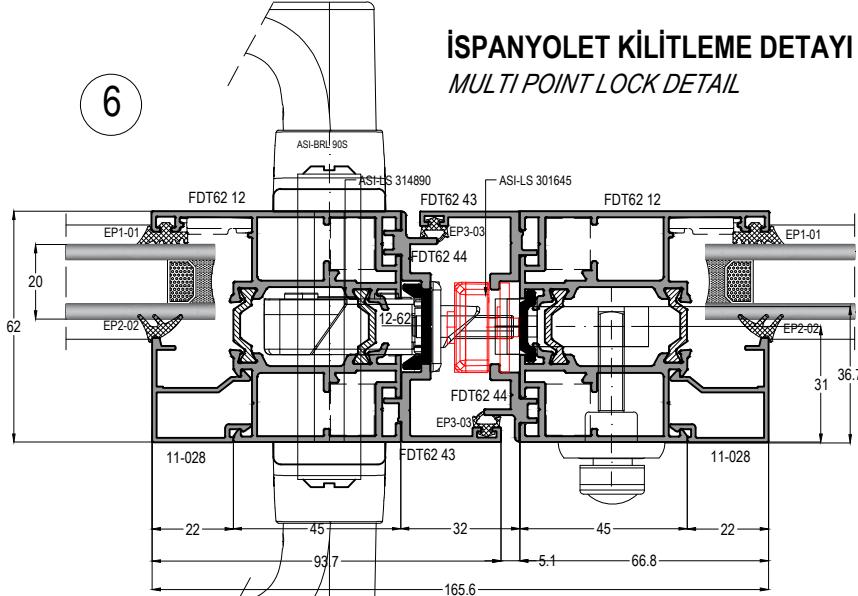
YALITIMLI KATLANIR KAPI SİSTEMİ  
THERMAL FOLDING DOOR SYSTEM



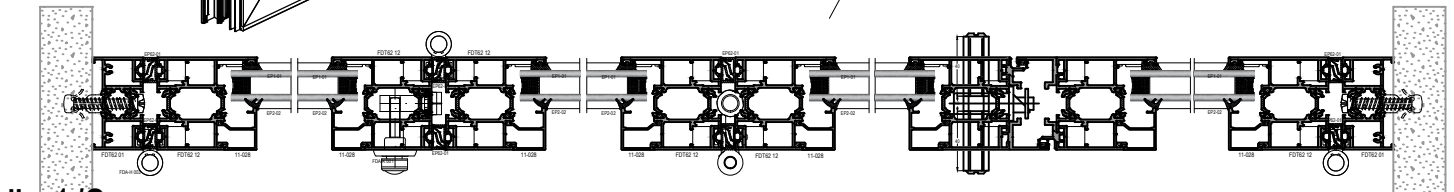
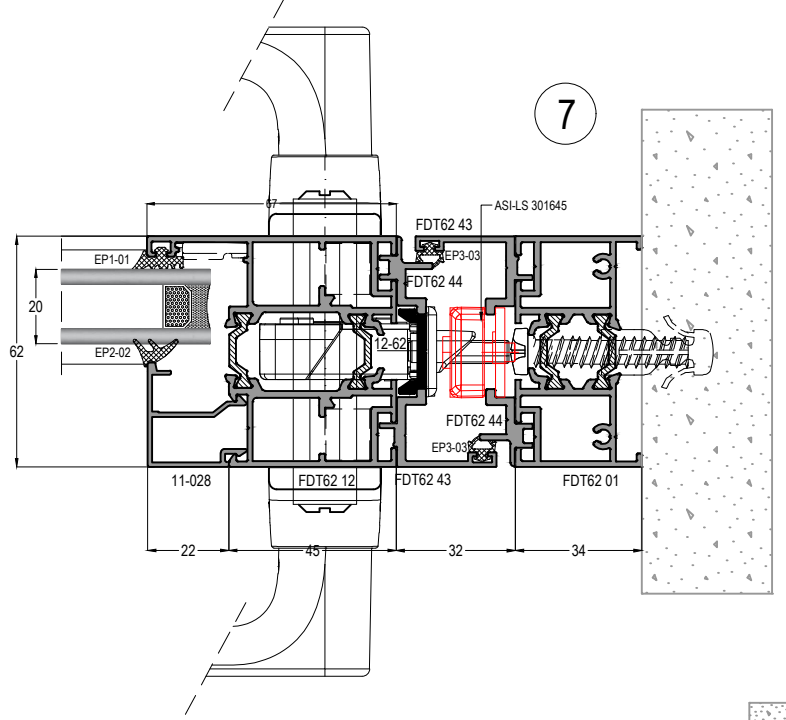


## İSPANYOLET KİLİTLEME DETAYI MULTI POINT LOCK DETAIL

6

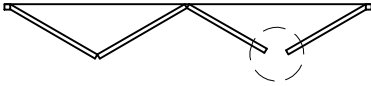
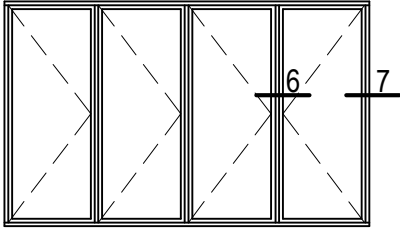


7

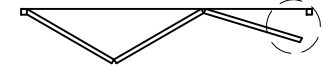
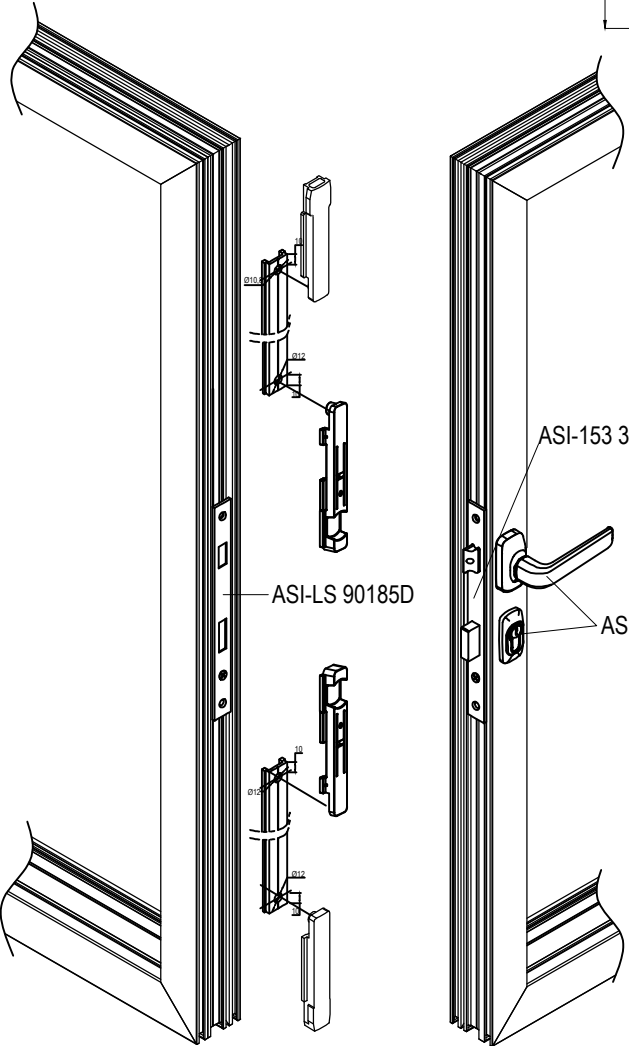
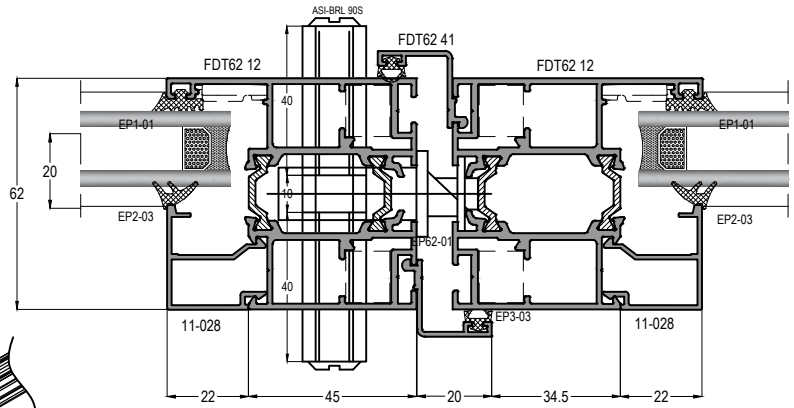




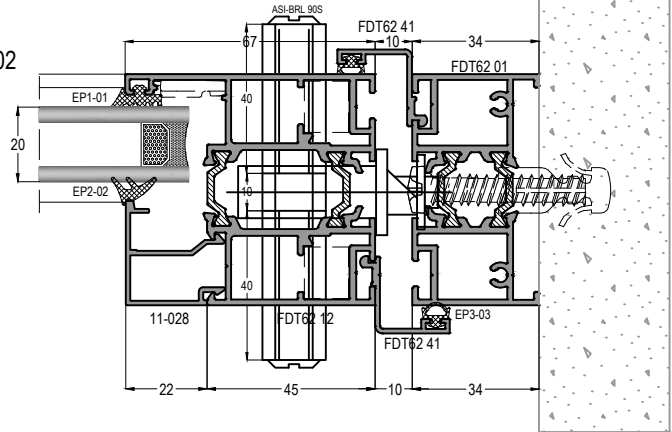
## TEK NOKTADAN KİLITLEME DETAYI-STANDART DİLLİ KİLİT UYGULAMASI SINGLE POINT LOCK DETAIL - STANDART MORTISE LOCK



6

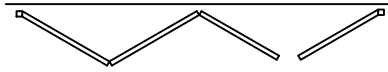
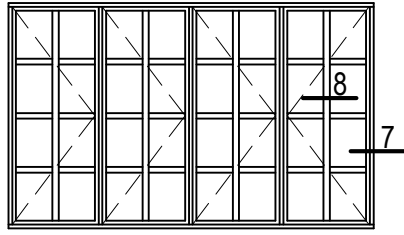


7

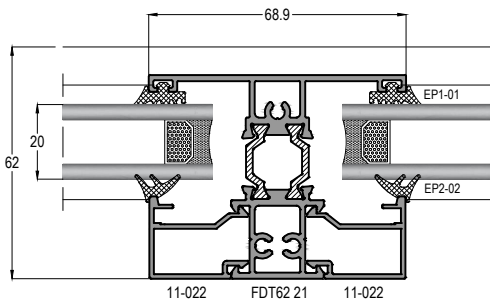


# FDT62

YALITIMLI KATLANIR KAPI SİSTEMİ  
THERMAL FOLDING DOOR SYSTEM



8



7

