

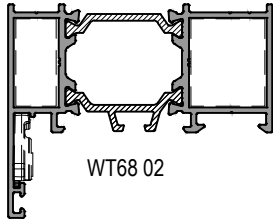
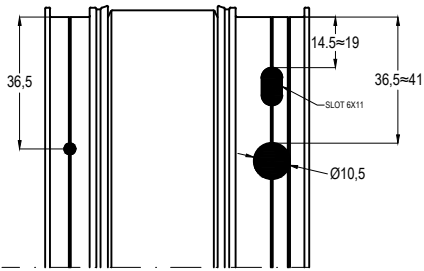
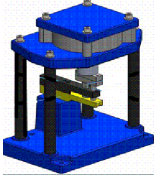
KESİM ve MONTAJ
CUTTING & ASSEMBLY

WT68

YALITIMLI KAPI-PENCERE SİSTEMİ
THERMAL WINDOW&DOOR SYSTEM

ASISTAL

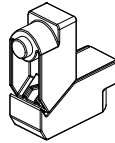
501 EKO PANÇ



WT68 02

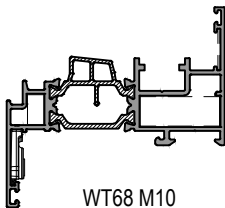
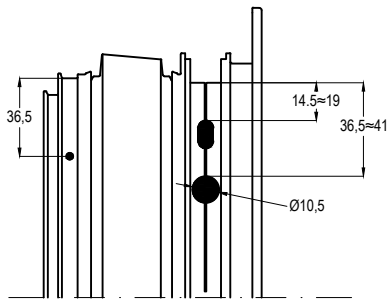
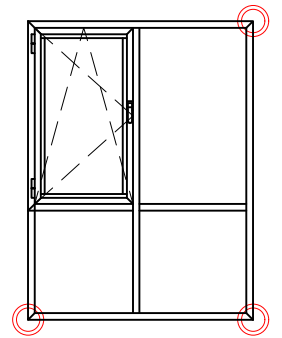


ASI-KT 2311

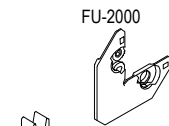


ASI-PB 2632

WT68 02



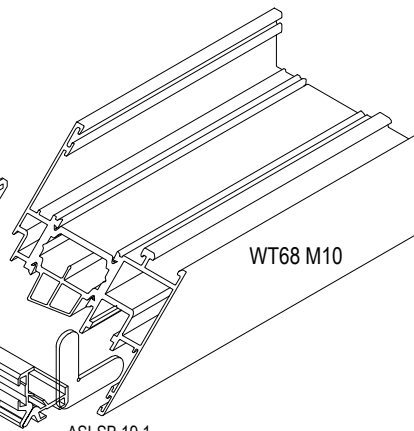
WT68 M10



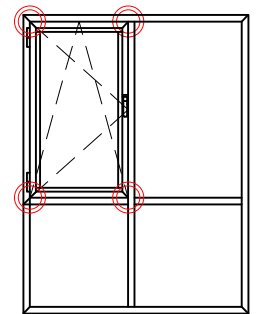
ASI-KT 1006

ASI-PB 1128

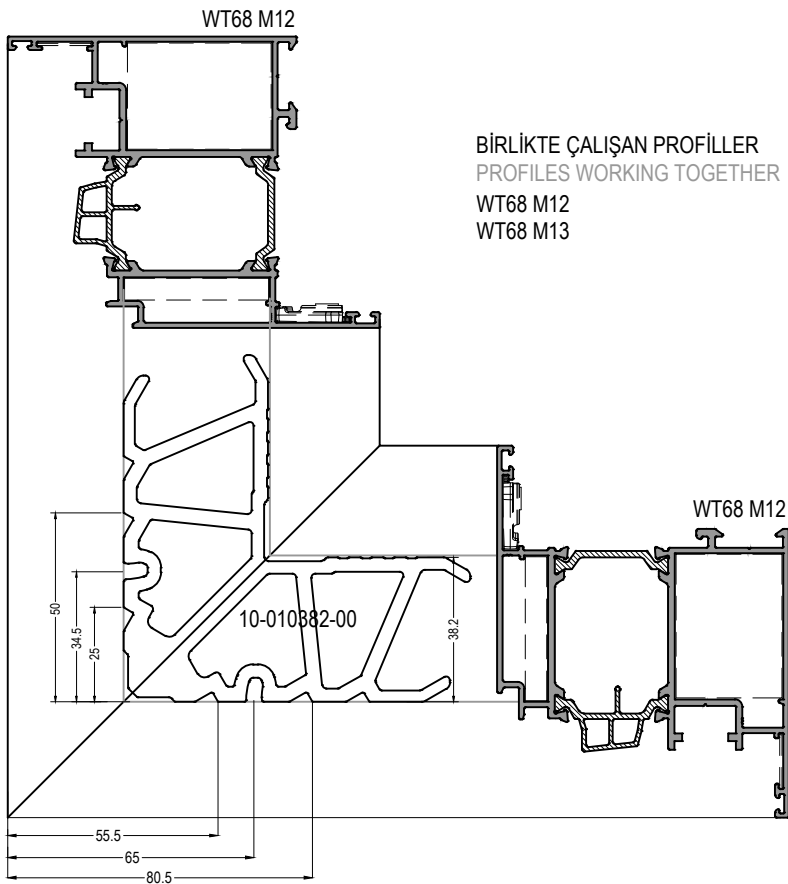
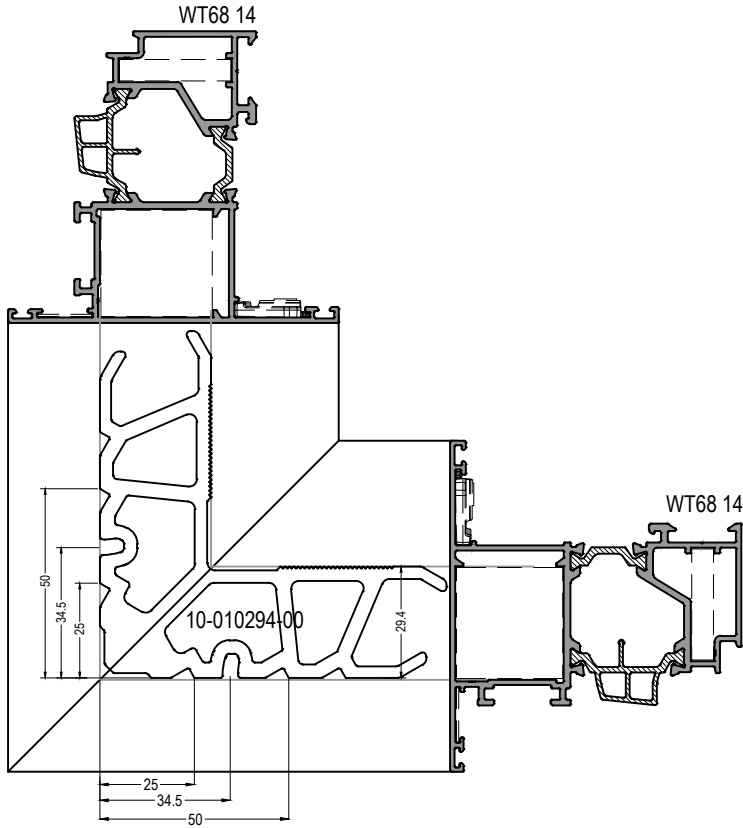
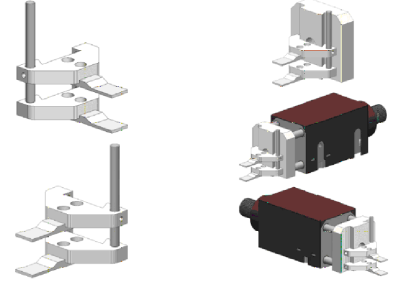
ASI-SB 19.1



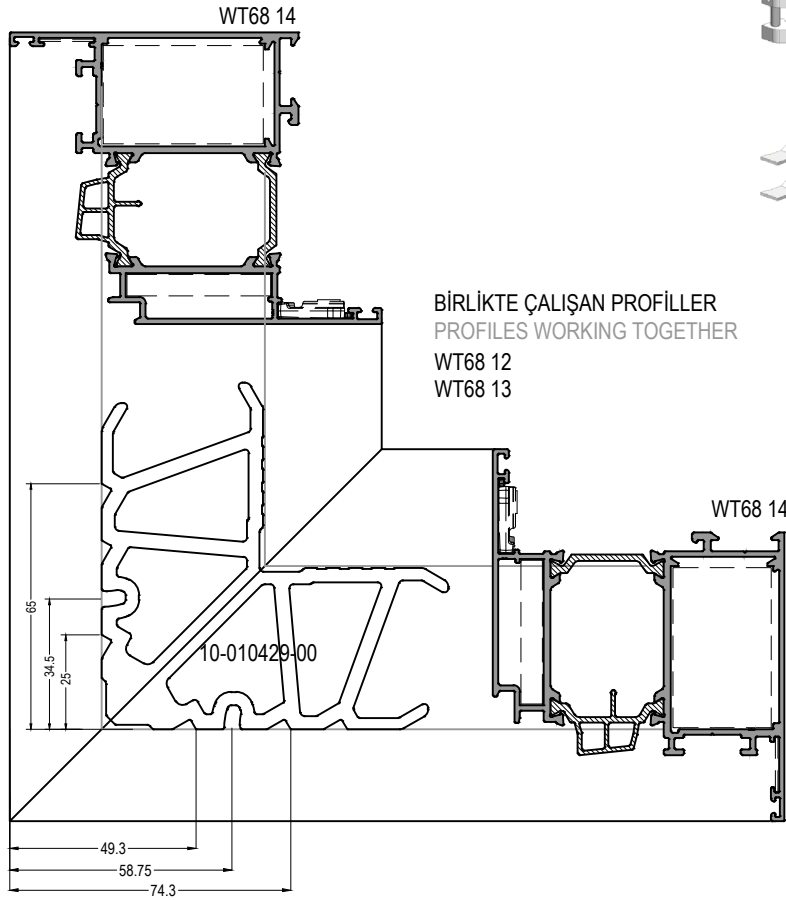
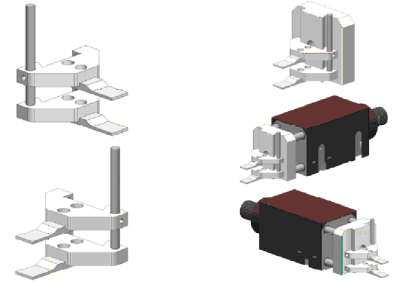
WT68 M10



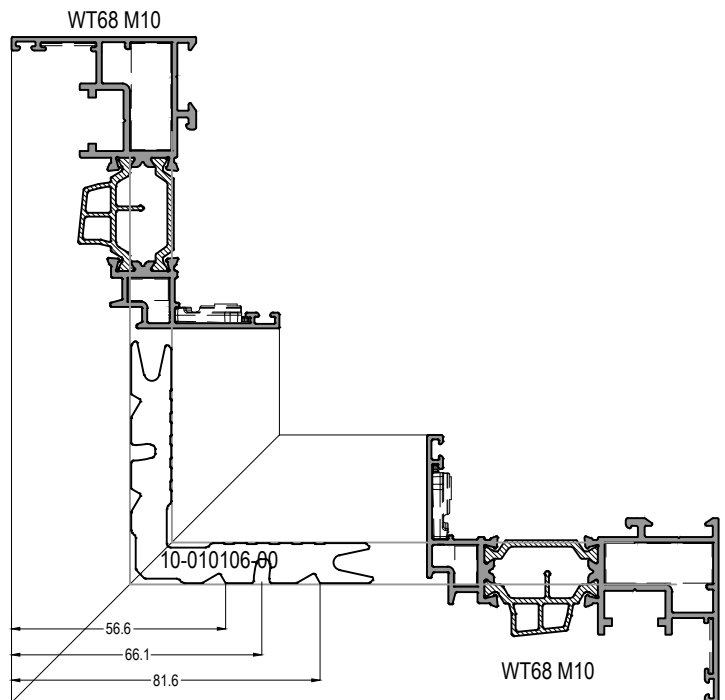
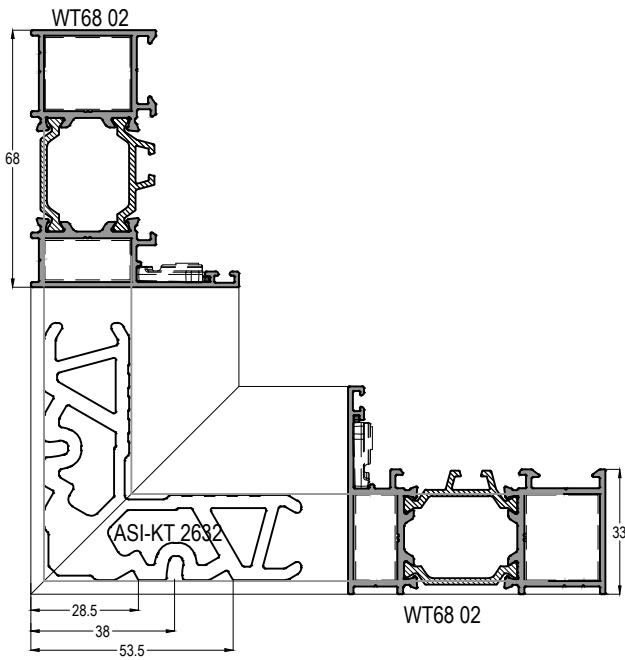
PRESS



PRESS

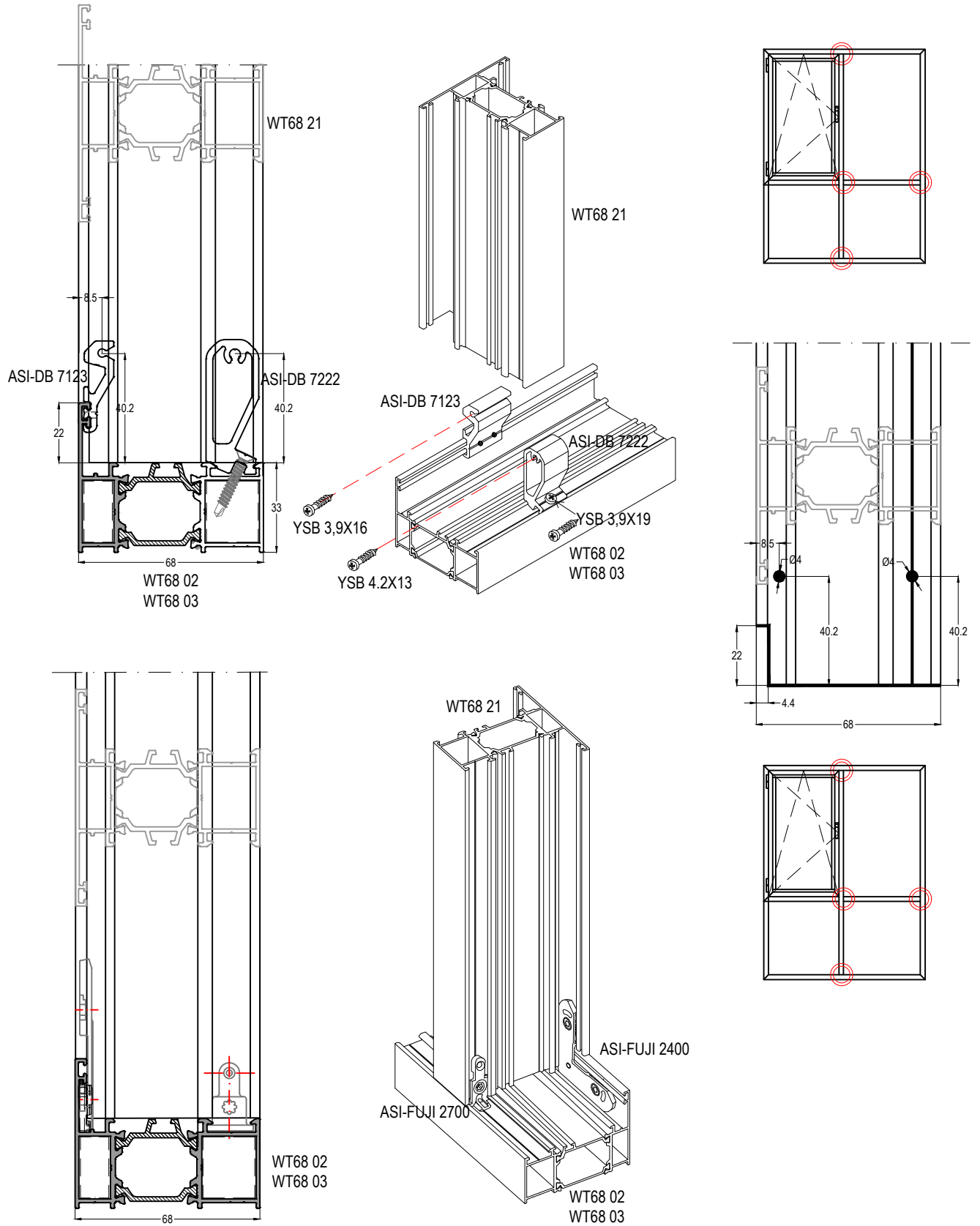


BİRLİKTE ÇALIŞAN PROFİLLER
PROFILES WORKING TOGETHER
WT68 12
WT68 13



WT68

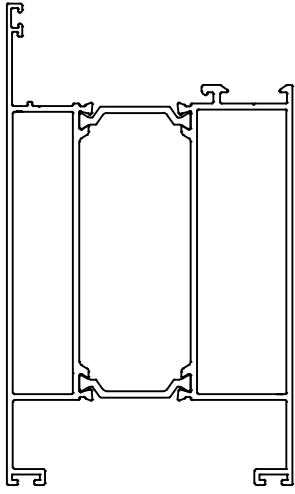
YALITIMLI KAPI-PENCERE SİSTEMİ
THERMAL WINDOW&DOOR SYSTEM



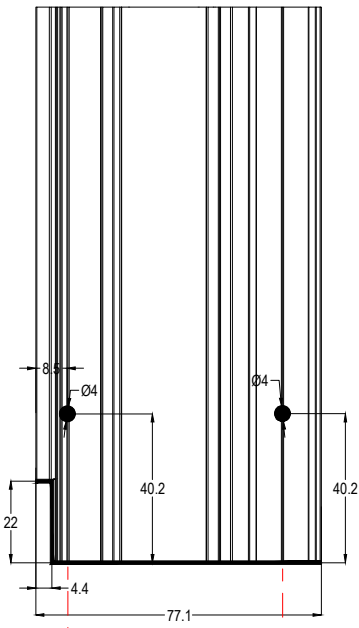
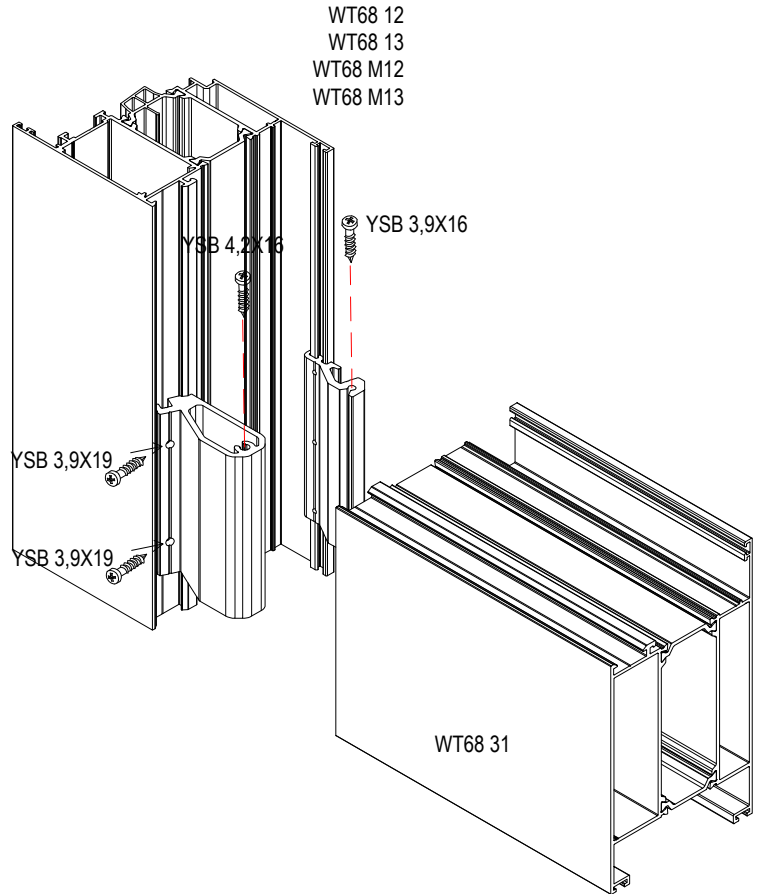
WT68

YALITIMLI KAPI-PENCERE SİSTEMİ
THERMAL WINDOW&DOOR SYSTEM

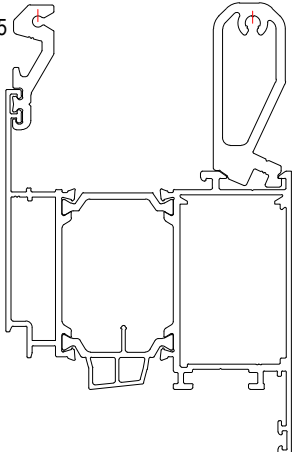
ASISTAL



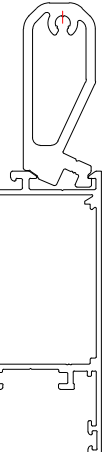
WT68 31



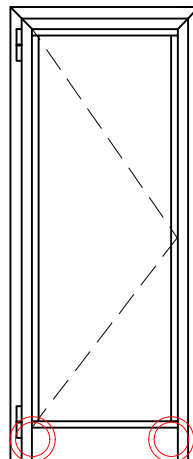
ASI-DB 7175



ASI-DB 7276



WT68 12
WT68 13
WT68 M12
WT68 M13



WT68

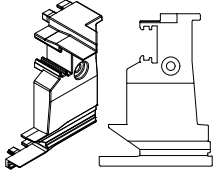
YALITIMLI KAPI-PENCERE SİSTEMİ
THERMAL WINDOW&DOOR SYSTEM

ASISTAL

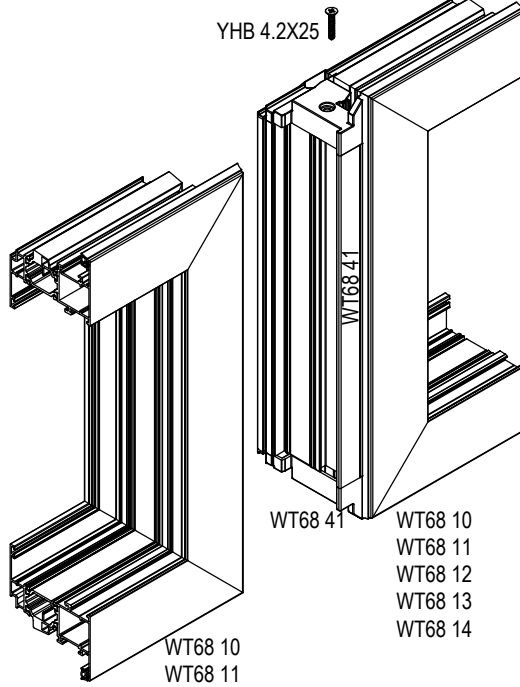
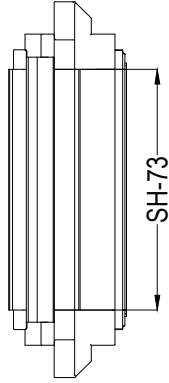
EURO KANALLI KESİM

CUTTING FOR EURO GROOVE

WT68 41HOK
ADAPTÖR KAPAĞI
WT68 41 COVER



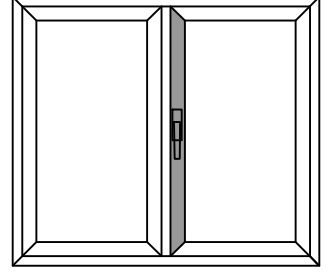
WT68 41



YHB 4.2X25

WT68 10
WT68 11
WT68 12
WT68 13
WT68 14

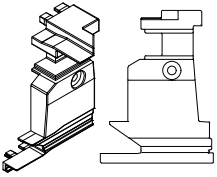
WT68 10
WT68 11
WT68 12
WT68 13
WT68 14



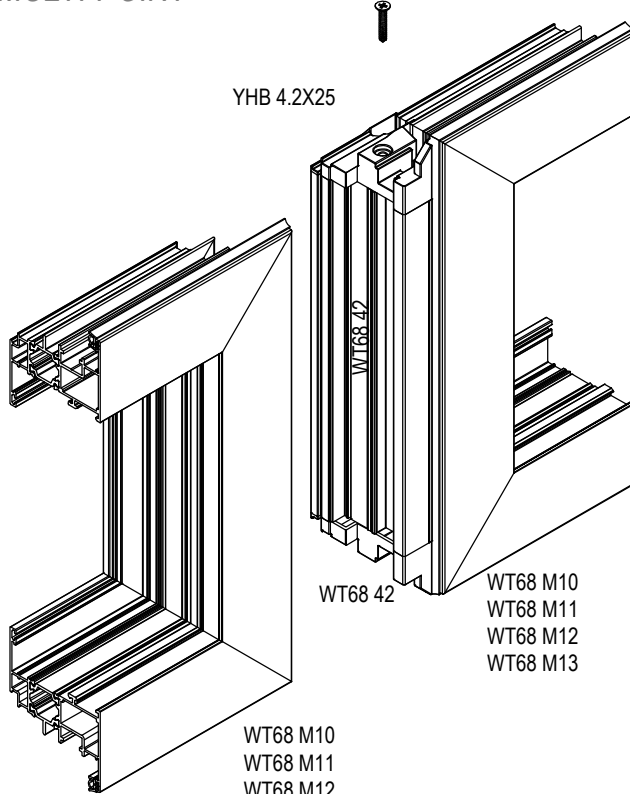
PVC KANALLI KESİM

CUTTING FOR MULTI-POINT

WT68 42HOK
ADAPTÖR KAPAĞI
WT68 42 COVER

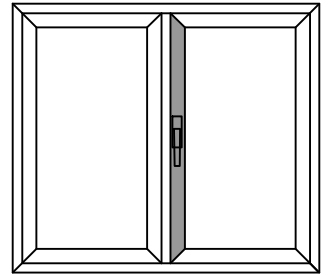


WT68 42



WT68 M10
WT68 M11
WT68 M12
WT68 M13

WT68 M10
WT68 M11
WT68 M12
WT68 M13

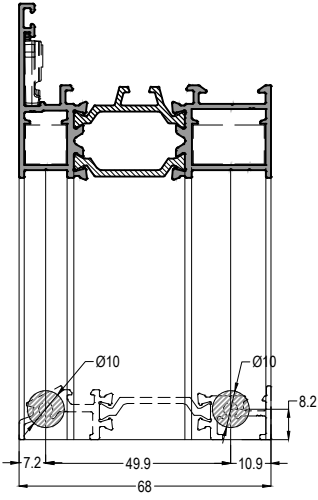


WT68

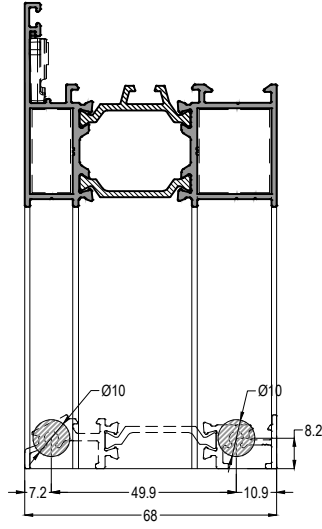
YALITIMLI KAPI-PENCERE SİSTEMİ
THERMAL WINDOW&DOOR SYSTEM

ASISTAL

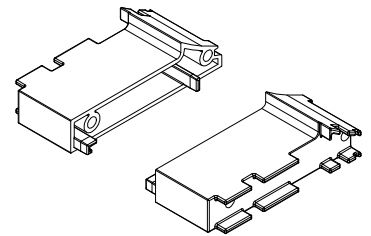
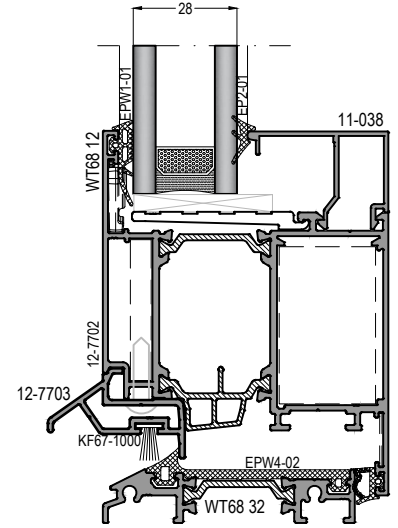
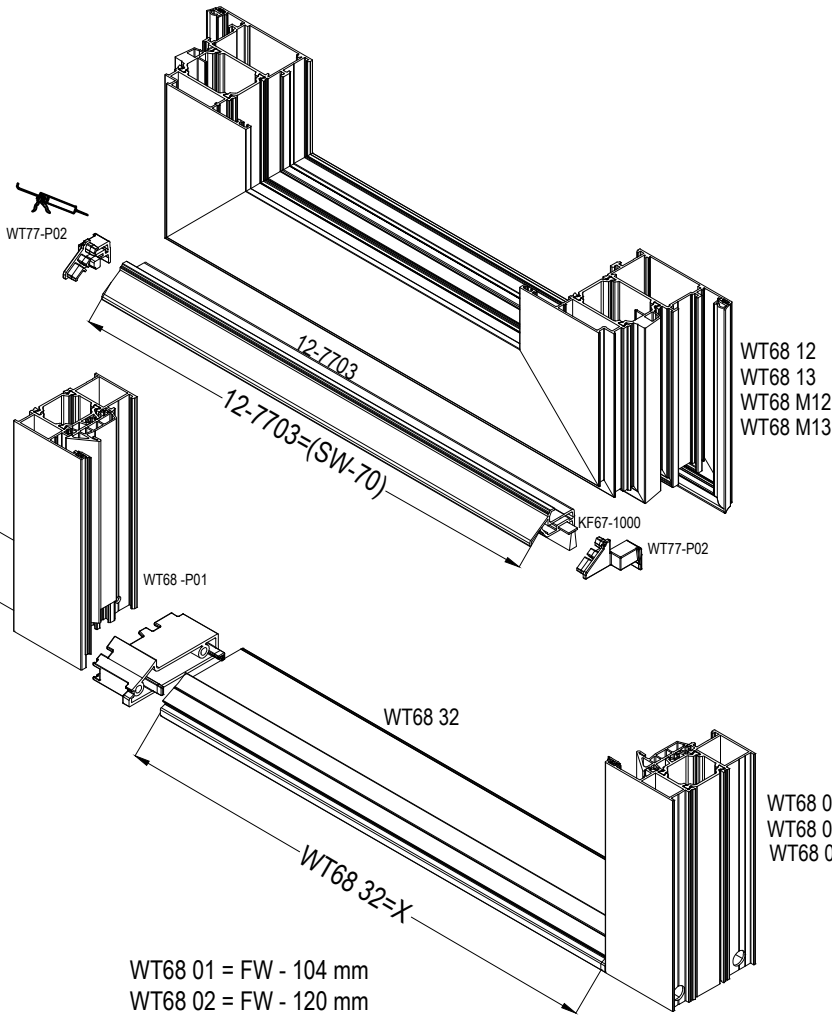
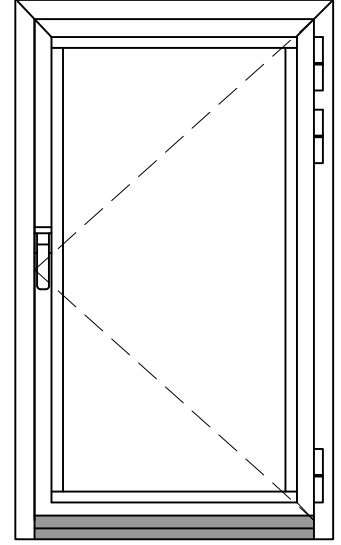
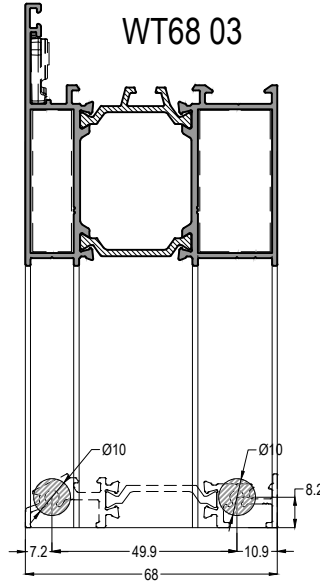
WT68 01



WT68 02



WT68 03



WT68 P01
EŞİK PROFİL KAPAĞI
WT68 32 COVER

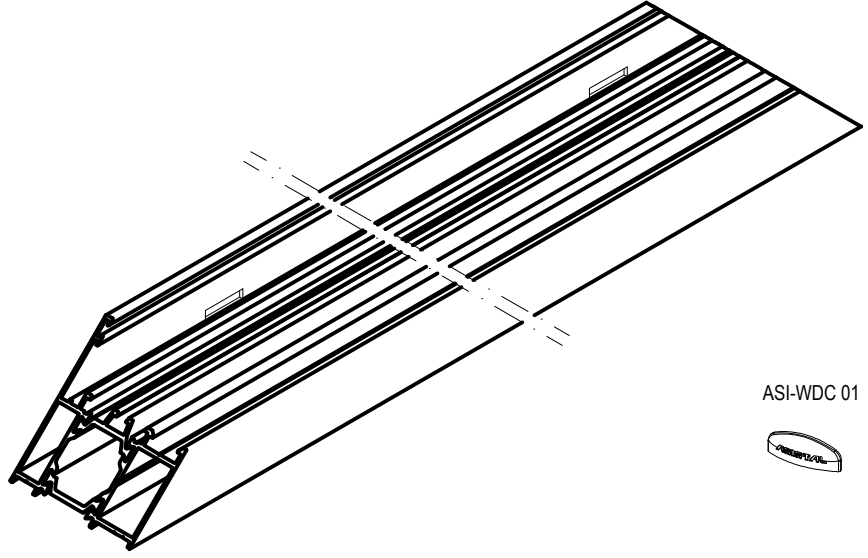
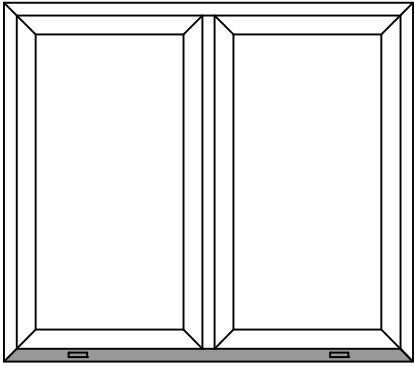
WT68 01 = FW - 104 mm
WT68 02 = FW - 120 mm
WT68 03 = FW - 151,4 mm

WT68

YALITIMLI KAPI-PENCERE SİSTEMİ
THERMAL WINDOW&DOOR SYSTEM

ASISTAL

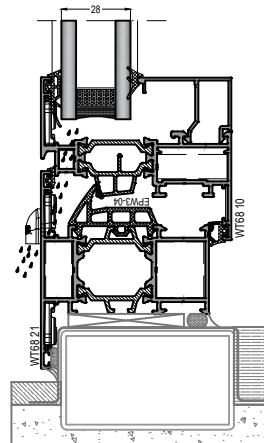
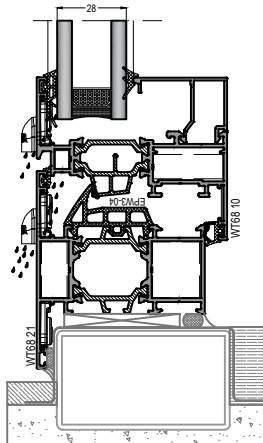
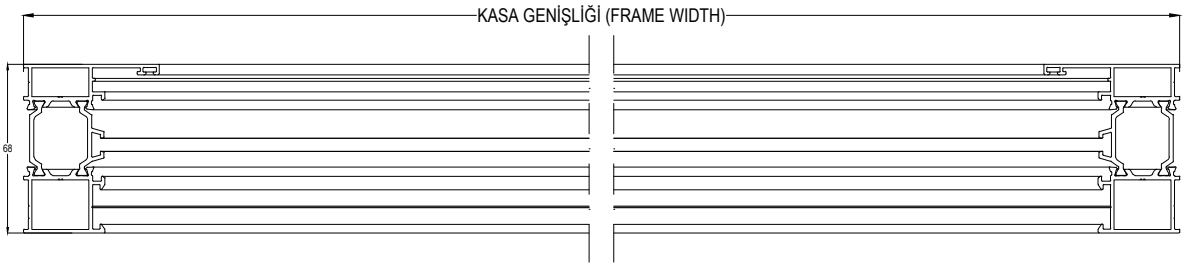
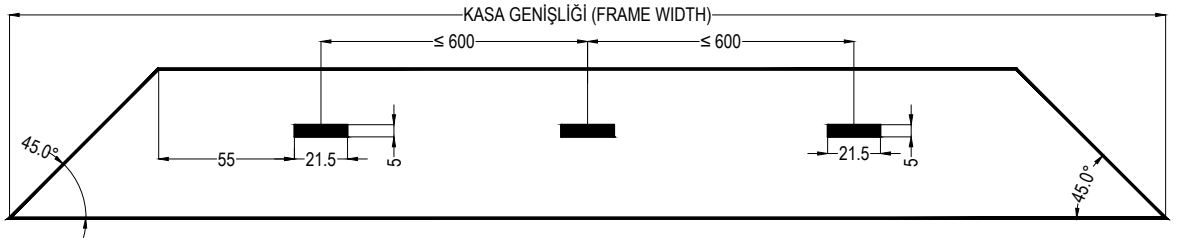
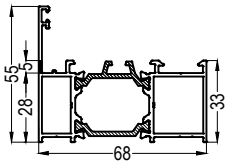
SU TAHLİYE DELİK İŞLEMLERİ
WATER DRAINAGE HOLE OPERATIONS



ASI-WDC 01



WT68 02

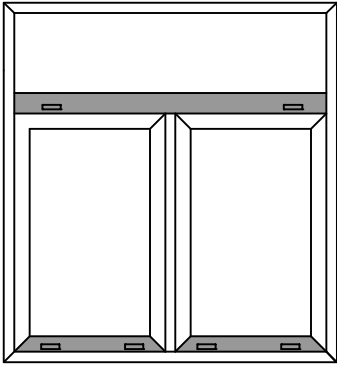


WT68

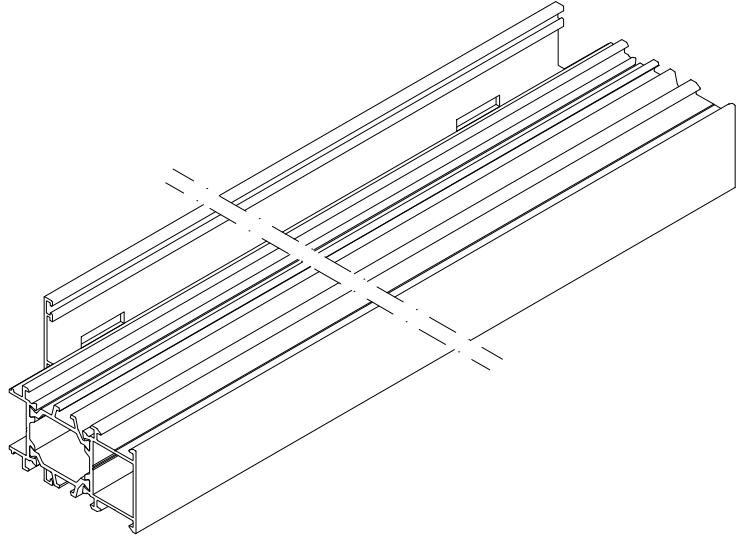
YALITIMLI KAPI-PENCERE SİSTEMİ
THERMAL WINDOW&DOOR SYSTEM

ASISTAL

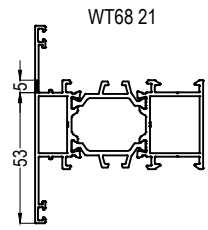
SU TAHLİYE DELİK İŞLEMLERİ WATER DRAINAGE HOLE OPERATIONS



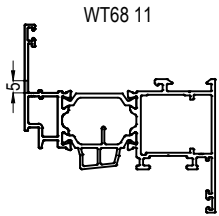
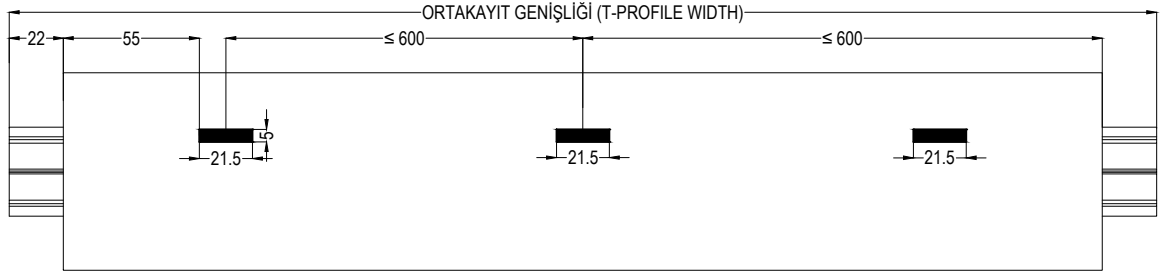
WT68 21



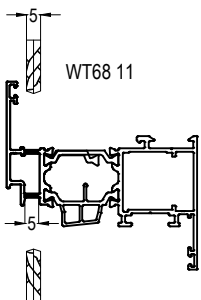
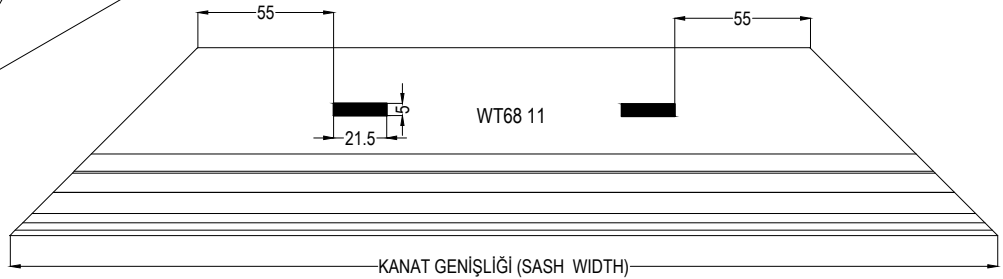
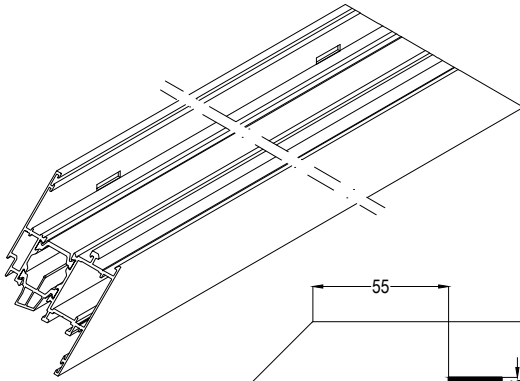
ASI-WDC 01



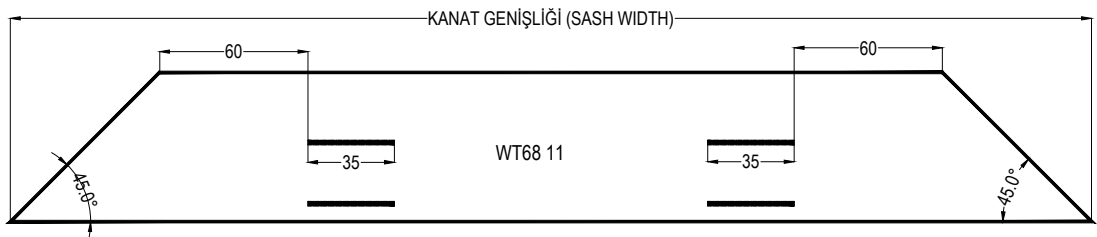
WT68 21



WT68 11



WT68 11

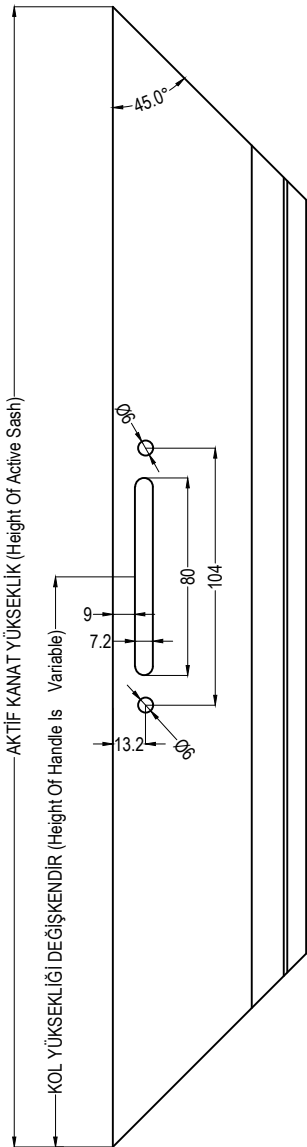
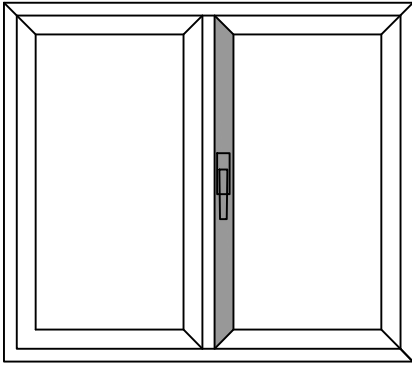


WT68

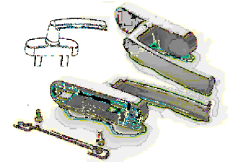
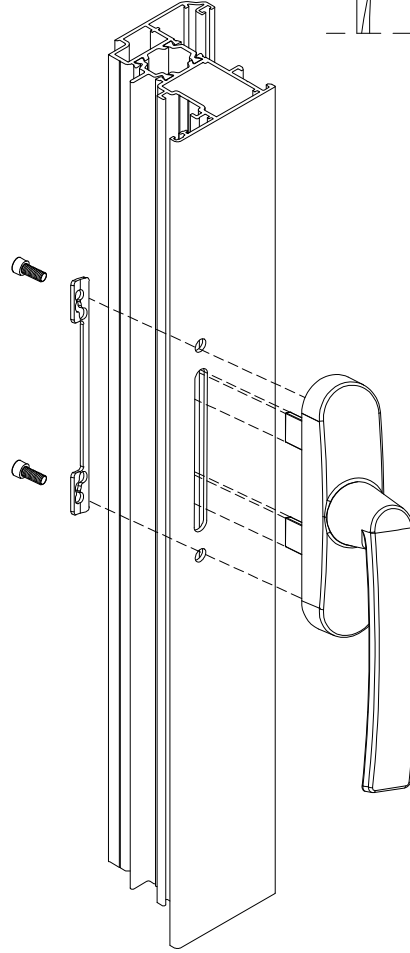
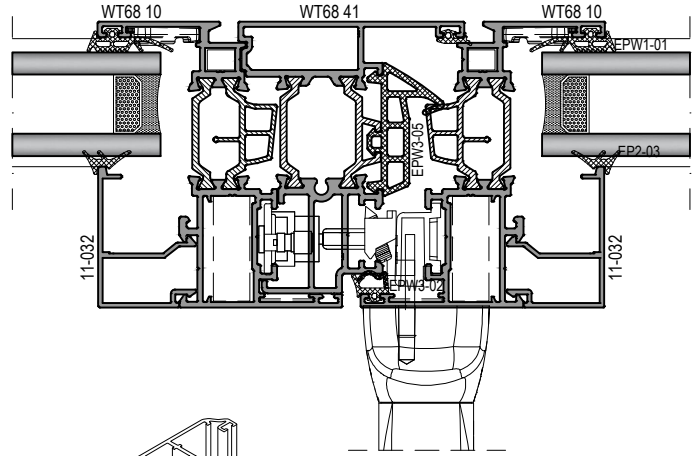
YALITIMLI KAPI-PENCERE SİSTEMİ
THERMAL WINDOW&DOOR SYSTEM

ASISTAL

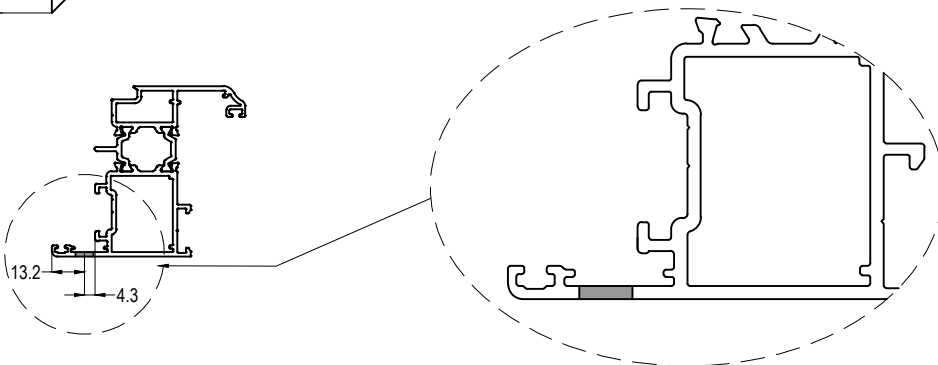
PENCERE KOLU SLOT ÖLÇÜLERİ
WINDOW HANDLE SLOT OPERATIONS



EURO KANALLI
EURO GROOVE



ASI-WH 004



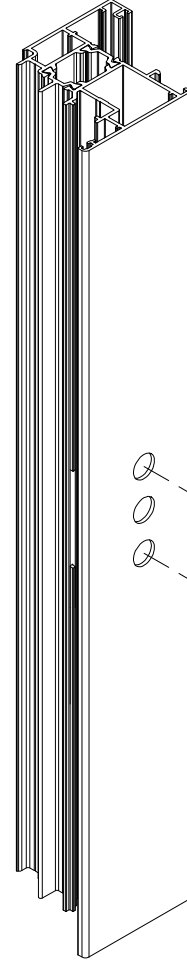
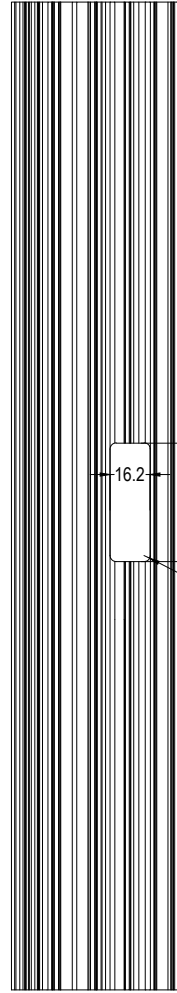
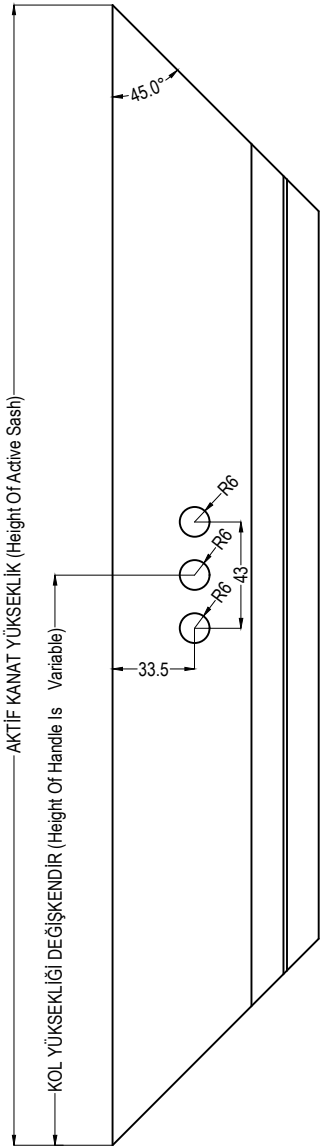
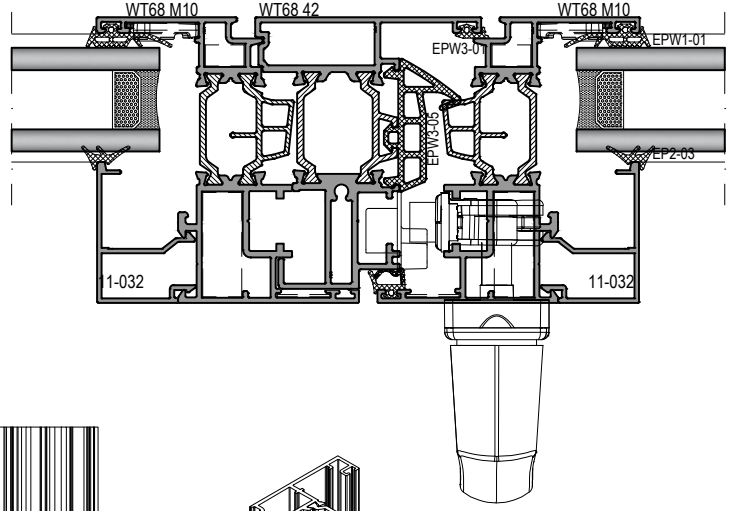
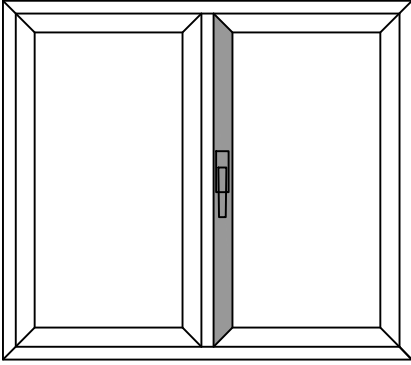
WT68

YALITIMLI KAPI-PENCERE SİSTEMİ
THERMAL WINDOW&DOOR SYSTEM

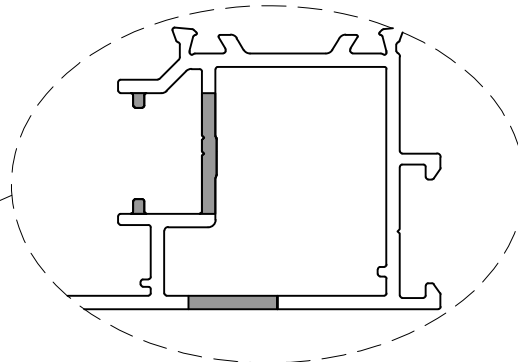
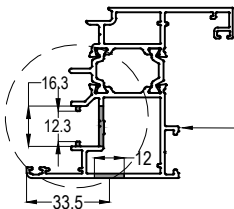
ASISTAL

PENCERE KOLU SLOT ÖLÇÜLERİ
WINDOW HANDLE SLOT OPERATIONS

ÇOK NOKTADAN KİLİTLEME
MULTI POINT LOCKING



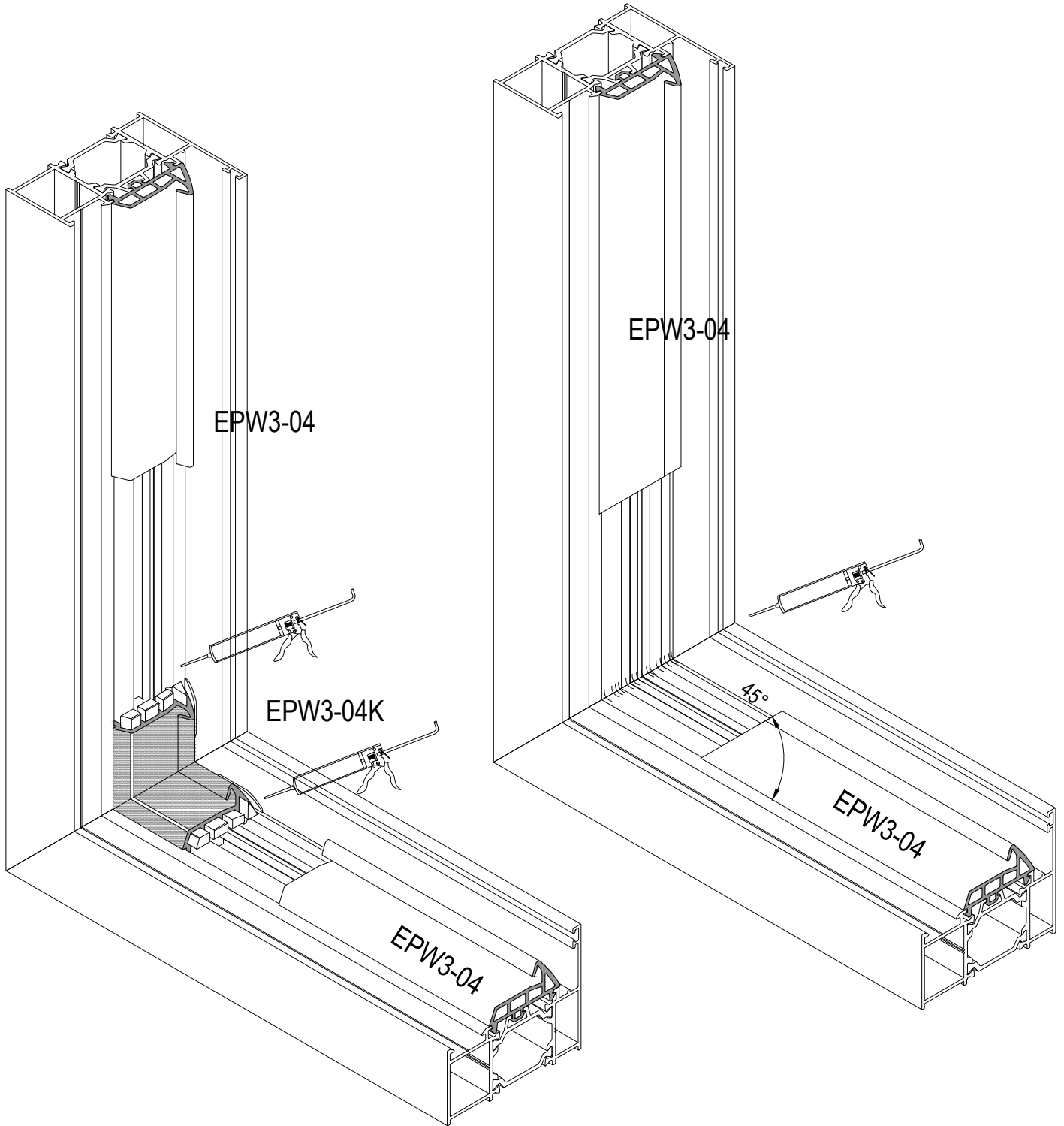
ASI-WH 001



WT68

YALITIMLI KAPI-PENCERE SİSTEMİ
THERMAL WINDOW&DOOR SYSTEM

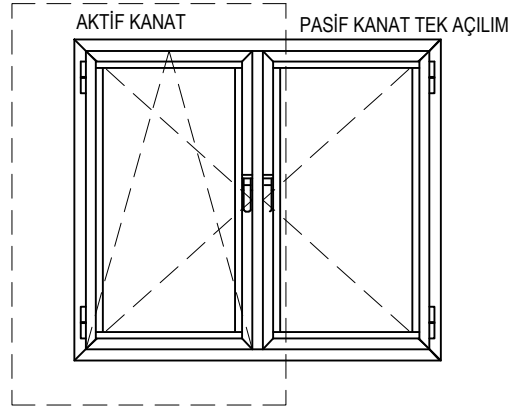
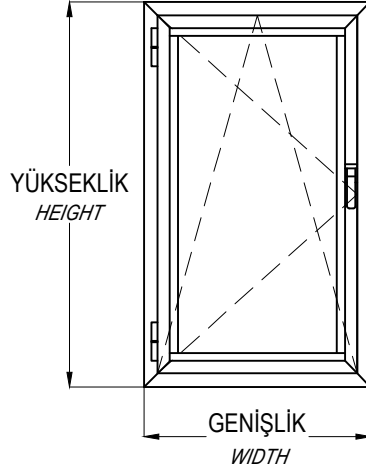
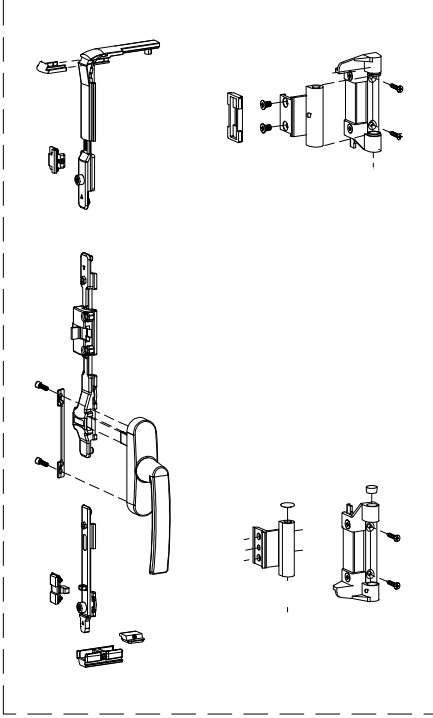
ASISTAL



LAVAAL ÇİFT EKSEN AÇILIM AKSESUAR KULLANIM TABLOSU
ALU - ALU TT

LAVAAL TILT&TURN OPENING ACCESSORIES TABLE

STANDART KİT / ASI-LTT-S01



kanat eni	ASI-LTT-S01	ASI-LTT-M01	ASI-LTT-M02	ASI-LTT-M03	ASI-LTT-M04	ASI-LTT-B01
KANAT GENİŞLİK / Sash Widht : 345-400mm	X	X				
KANAT GENİŞLİK / Sash Widht : 401-540mm	X		X			
KANAT GENİŞLİK / Sash Widht : 541-1100mm	X			X		
KANAT GENİŞLİK / Sash Widht : 1100-1500mm	X			X	X	
KANAT YÜKSEKLİK / Sash Height : < 1400mm						X

WT68

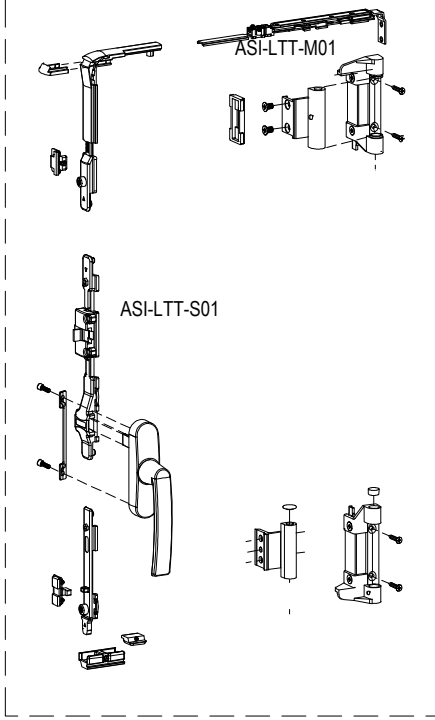
YALITIMLI KAPI-PENCERE SİSTEMİ
THERMAL WINDOW&DOOR SYSTEM

ASISTAL

LAVAAL ÇİFT EKSEN AÇILIM ÇİFT KANAT AKSESUAR KULLANIM TABLOSU
ALU - ALU TT

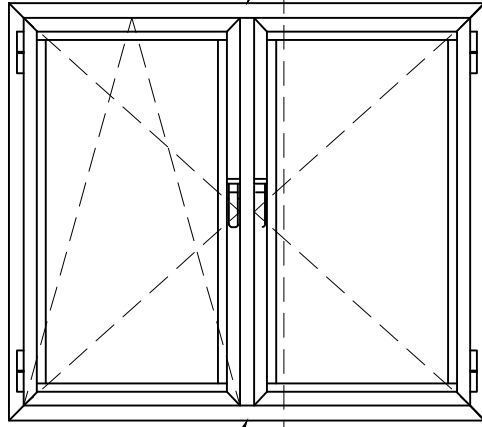
LAVAAL TILT&TURN OPENING ACCESSORIES TABLE

STANDART KİT / ASI-LTT-S01



PASİF KANAT KİLİTLEME
Single Sash locking

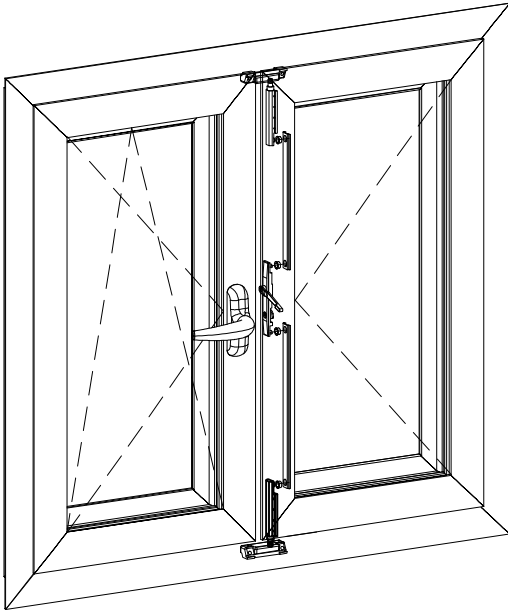
AKTİF KANAT PASİF KANAT TEK AÇILIM



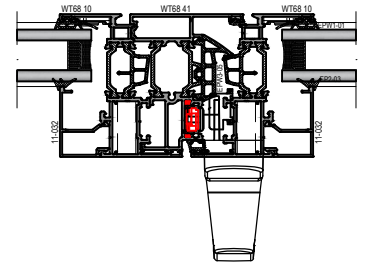
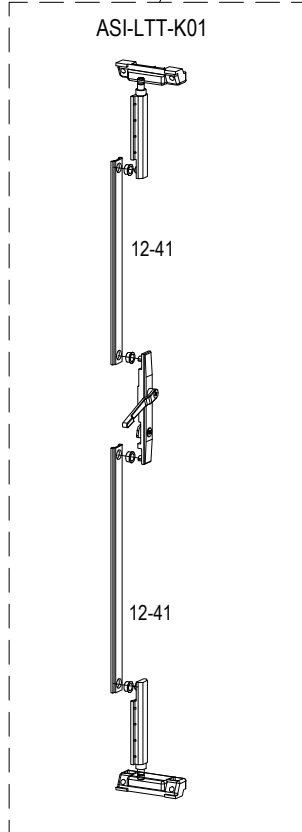
ASI-LTT-H01

KANAT YÜKSELİĞİ >1400mm
sash height >1400mm

ASI-LTT-H02

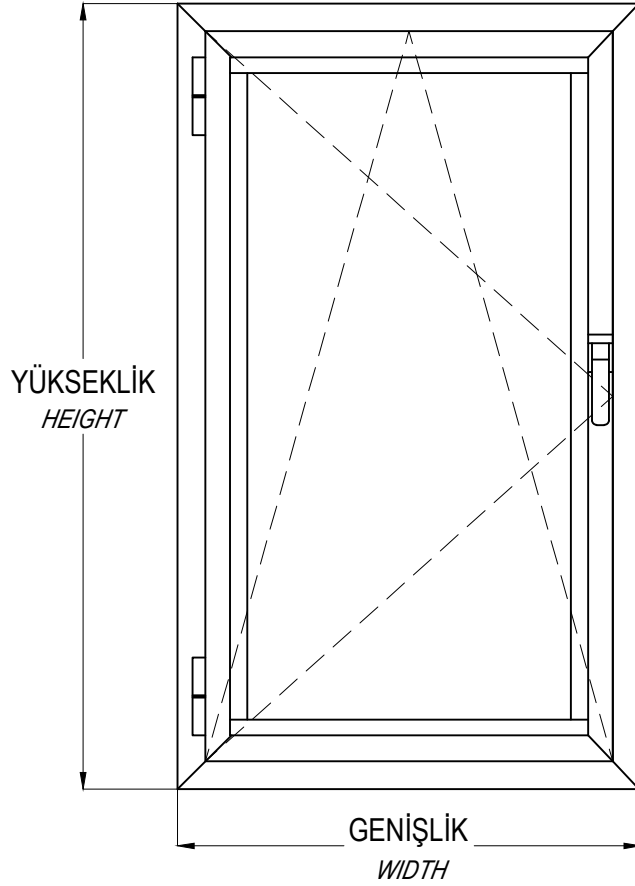


ASI-LTT-K01



MULTI POINT SİSTEM (PVC KANALLI) ÇİFT EKSEN AÇILIM AKSESUAR TABLOSU
ALU - PVC TT

MULTI POINT SYSTEM TILT&TURN OPENING ACCESSORIES TABLE



MULTI POINT (PVC KANALLI) KİLİTLEME AKSESUAR SEÇİM TABLOSU

MULTI POINT SYSTEM ACCESSORIES TABLE

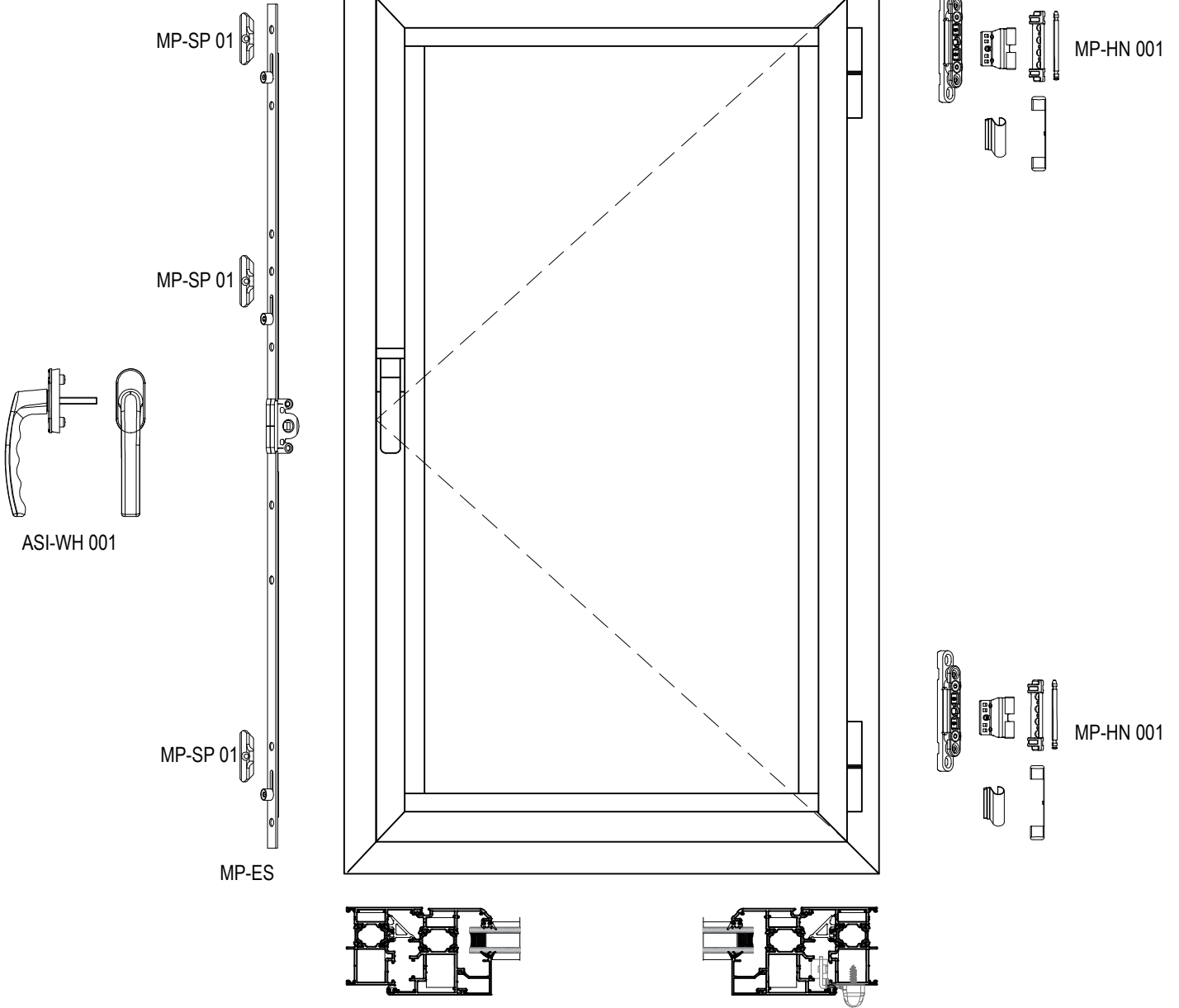
YÜKSEKLİK - HEIGHT	GENİŞLİK - WIDTH				
	400-650mm	600-850mm	850-1100mm	1100-1350mm	1350mm-1600mm
450-700 mm	ASI-PVC TT 01	ASI-PVC TT 02	ASI-PVC TT 03	ASI-PVC TT 04	
700-1200 mm	ASI-PVC TT 05	ASI-PVC TT 06	ASI-PVC TT 07	ASI-PVC TT 08	ASI-PVC TT 09
1200-1400 mm	ASI-PVC TT 10	ASI-PVC TT 11	ASI-PVC TT 12	ASI-PVC TT 013	ASI-PVC TT 14
1400-1700 mm	ASI-PVC TT 15	ASI-PVC TT 16	ASI-PVC TT 017	ASI-PVC TT 18	ASI-PVC TT 19
1700-2400 mm	ASI-PVC TT 20	ASI-PVC TT 21	ASI-PVC TT 22	ASI-PVC TT 23	ASI-PVC TT 24

WT68

YALITIMLI KAPI-PENCERE SİSTEMİ
THERMAL WINDOW&DOOR SYSTEM

ASISTAL

MULTI POINT SİSTEM (PVC KANALLI) TEK EKSEN AÇILIM AKSESUARLARI
MULTI POINT SYSTEM SINGLE OPENING WINDOW ACCESSORIES



WT68

YALITIMLI KAPI-PENCERE SİSTEMİ
THERMAL WINDOW&DOOR SYSTEM

ASISTAL

MULTI POINT SİSTEM (PVC KANALLI) TEK KANAT AÇILIM KAPI AKSESUARLARI

MULTI POINT SYSTEM INNER / OUTER OPENING DOOR ACCESSORIES

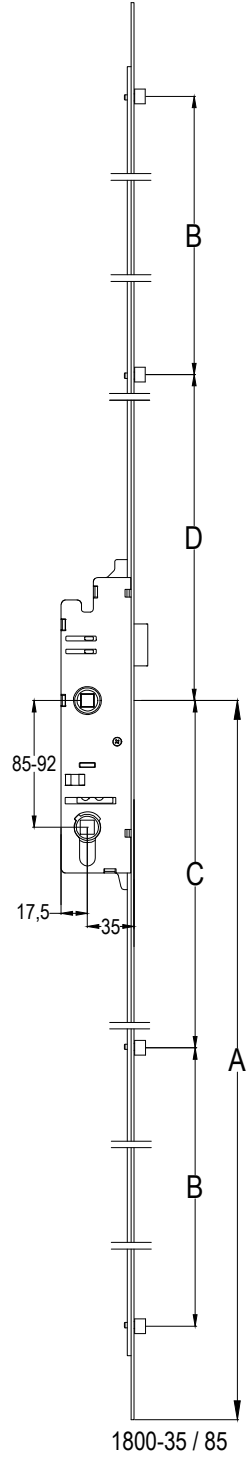
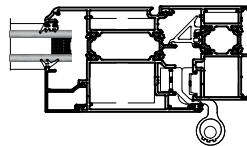
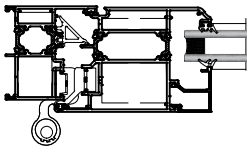
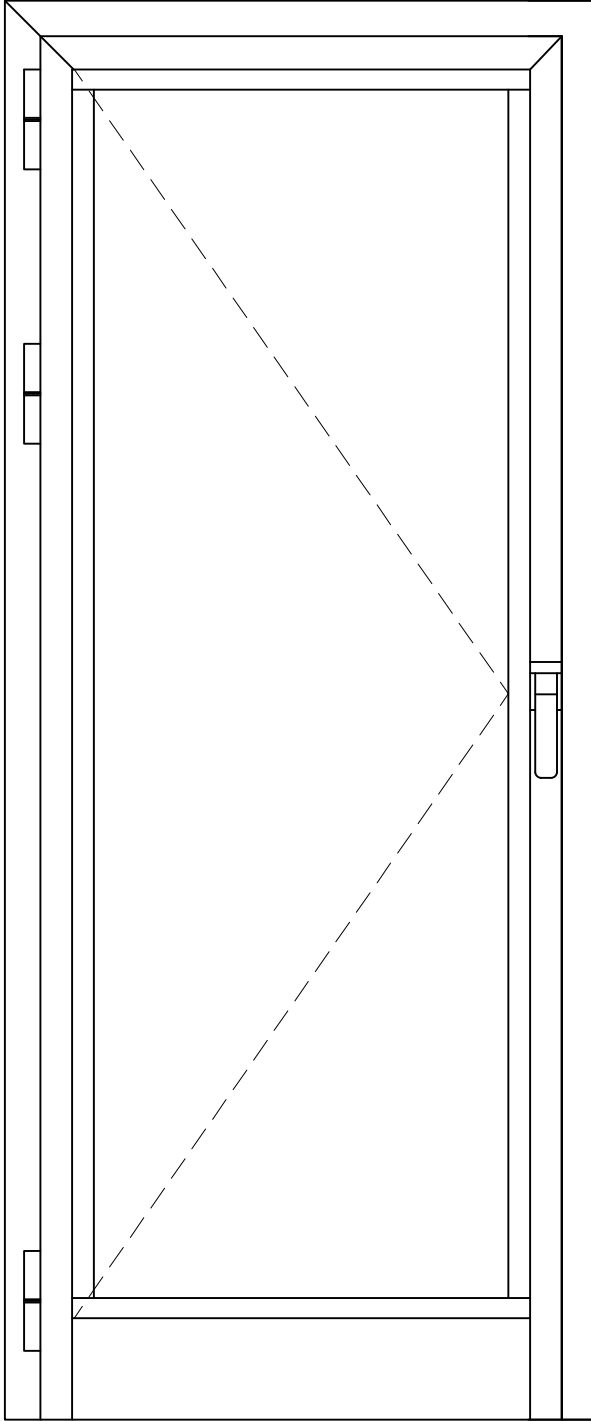
MP-HN 002



MP-HN 002

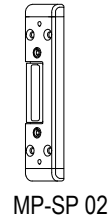


MP-HN 002



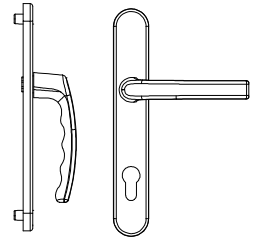
MP-SP 01

MP-SP 01



MP-SP 02

ASI-BRL 90



ASI-DH 001

MP-SP 01

MP-SP 01

WT68

YALITIMLI KAPI-PENCERE SİSTEMİ
THERMAL WINDOW&DOOR SYSTEM

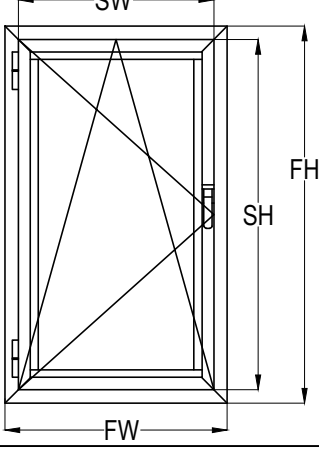
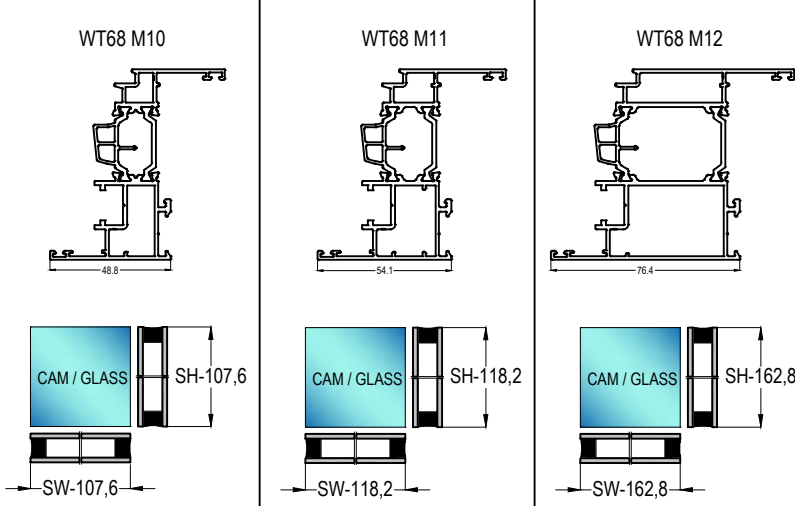
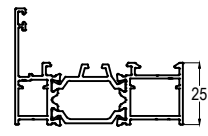
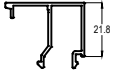
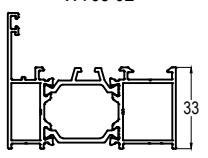
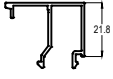
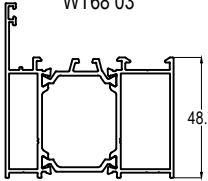
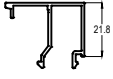
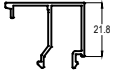
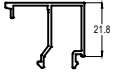
ASISTAL

TEK KANAT PENCERE KESİM ÖLÇÜLERİ SINGLE SASH WINDOW CUTTING SIZES

EURO KANALLI KESİM CUTTING FOR EURO GROOVE		KASA PROFİLİ SEÇİMİ / PRAME PROFILE SELECTION		KANAT PROFİLİ SEÇİMİ SASH PROFILE SELECTION			
					WT68 10 	WT68 11 	WT68 12
	2	SW	FW - 38	FW - 38	FW - 38		
	2	SH	FH - 38	FH - 38	FH - 38		
	2	SW	FW - 54	FW - 54	FW - 54		
	2	SH	FH - 54	FH - 54	FH - 54		
	2	SW	FW - 85,4	FW - 85,4	FW - 85,4		
	2	SH	FH - 85,4	FH - 85,4	FH - 85,4		
	2	GH	SH - 132	SH - 152,2	SH - 196,8		
	2	GW	SW - 88	SW - 108,2	SW - 152,8		

ÇİFT KANAT AÇILIM KESİM ÖLÇÜLERİ

DOUBLE SASH CUTTING SIZES

PVC KANALI KESİM CUTTING FOR MULTI-POINT		KASA PROFİLİ SEÇİMİ / PRAME PROFILE SELECTION		KANAT PROFİLİ SEÇİMİ SASH PROFILE SELECTION			
							
WT68 01		WT68 02		WT68 03		WT68 04	
	2	SW	FW - 38	FW - 38	FW - 38		
	2	SH	FH - 38	FH - 38	FH - 38		
	2	SW	FW - 54	FW - 54	FW - 54		
	2	SH	FH - 54	FH - 54	FH - 54		
	2	SW	FW - 85,4	FW - 85,4	FW - 85,4		
	2	SH	FH - 85,4	FH - 85,4	FH - 85,4		
	2	GH	SH - 141,6	SH - 152,2	SH - 196,8		
	2	GW	SW - 97,6	SW - 108,2	SW - 152,8		

WT68

YALITIMLI KAPI-PENCERE SİSTEMİ
THERMAL WINDOW&DOOR SYSTEM

ASISTAL

ÇİFT KANAT AÇILIM KESİM ÖLÇÜLERİ

DOUBLE SASH CUTTING SIZES

EURO KANALLI KESİM CUTTING FOR EURO GROOVE		KANAT PROFİLİ SEÇİMİ SASH PROFILE SELECTION		WT68 10	WT68 11	WT68 12
KASA PROFİLİ SEÇİMİ / PRAME PROFILE SELECTION						
WT68 01		4	SW	$FW/2 - 21,5$	$FW/2 - 21,5$	$FW/2 - 21,5$
		4	SH	$FH - 38$	$FH - 38$	$FH - 38$
WT68 02		4	SW	$FW/2 - 29,5$	$FW/2 - 29,5$	$FW/2 - 29,5$
		4	SH	$FH - 54$	$FH - 54$	$FH - 54$
WT68 03		4	SW	$FW/2 - 45,2$	$FW/2 - 45,2$	$FW/2 - 45,2$
		4	SH	$FH - 85,4$	$FH - 85,4$	$FH - 85,4$
WT68 41		1	SSH	$SH - 73$	$SH - 73$	$SH - 73$
		4	GH	$SH - 132$	$SH - 152,2$	$SH - 196,8$
		4	GW	$SW - 88$	$SW - 108,2$	$SW - 152,8$

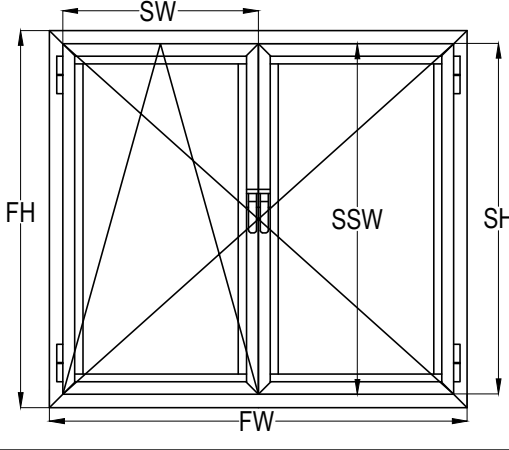
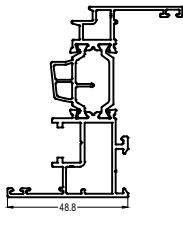
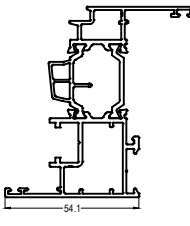
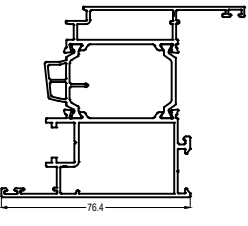
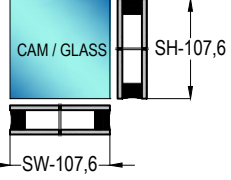
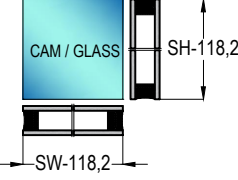
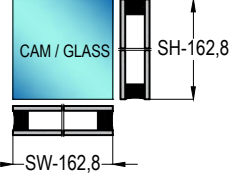
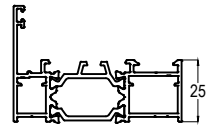
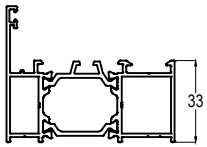
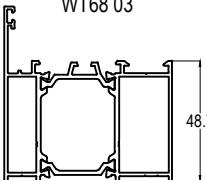
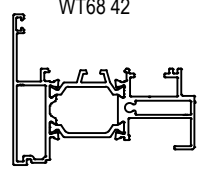
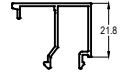
WT68

YALITIMLI KAPI-PENCERE SİSTEMİ
THERMAL WINDOW&DOOR SYSTEM

ASISTAL

ÇİFT KANAT AÇILIM KESİM ÖLÇÜLERİ

DOUBLE SASH CUTTING SIZES

PVC KANALLI KESİM CUTTING FOR MULTI-POINT	KASA PROFİLİ SEÇİMİ / PRAME PROFILE SELECTION		KANAT PROFİLİ SEÇİMİ SASH PROFILE SELECTION		
	FW	SH	WT68 M10	WT68 M11	WT68 M12
					
					
	4	SW	$FW/2 - 21,5$	$FW/2 - 21,5$	$FW/2 - 21,5$
	4	SH	$FH - 38$	$FH - 38$	$FH - 38$
	4	SW	$FW/2 - 29,5$	$FW/2 - 29,5$	$FW/2 - 29,5$
	4	SH	$FH - 54$	$FH - 54$	$FH - 54$
	4	SW	$FW/2 - 45,2$	$FW/2 - 45,2$	$FW/2 - 45,2$
	4	SH	$FH - 85,4$	$FH - 85,4$	$FH - 85,4$
	1	SSH	$SH - 73$	$SH - 73$	$SH - 73$
	4	GH	$SH - 141,6$	$SH - 152,2$	$SH - 196,8$
	4	GW	$SW - 97,6$	$SW - 108,2$	$SW - 152,8$

WT68

YALITIMLI KAPI-PENCERE SİSTEMİ
THERMAL WINDOW&DOOR SYSTEM

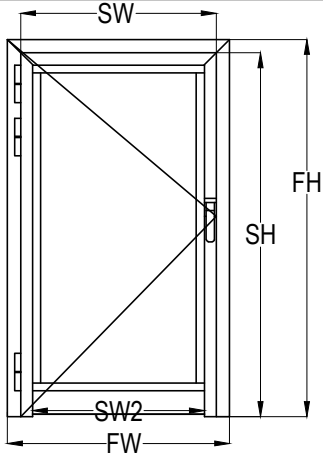
ASISTAL

TEK KANAT KAPI KESİM ÖLÇÜLERİ /İÇE AÇILIR

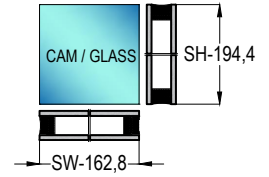
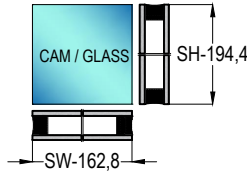
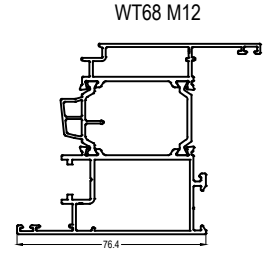
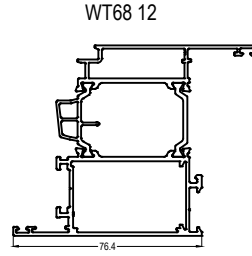
SINGLE SASH DOOR CUTTING SIZES / INNER OPENING

EURO KANALLI KESİM
CUTTING FOR EURO GROOVE

PVC KANALLI KESİM
CUTTING FOR MULTI-POINT



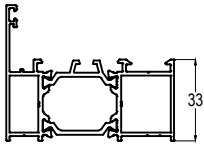
KANAT PROFİLİ SEÇİMİ
SASH PROFILE SELECTION



KASA PROFİLİ SEÇİMİ / PRAME PROFILE SELECTION



WT68 02



1

SW

FW - 54

FW - 54

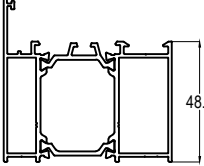
2

SH

FH - 37

FH - 37

WT68 03



1

SW

FW - 85,4

FW - 85,4

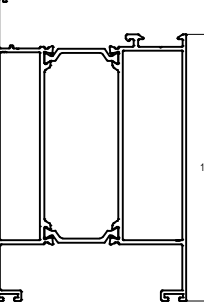
2

SH

FH - 52,7

FH - 52,7

WT68 31



1

SW2

SW-152,8

SW-152,8

2

GH

SH - 228,4

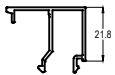
SH - 228,4

2

GW

SW - 152,8

SW - 152,8



TEK KANAT KAPI KESİM ÖLÇÜLERİ /DIŞA AÇILIR ADAPTÖR PROFİL İLE

SINGLE SASH DOOR CUTTING SIZES/OUTER OPENING WITH ADAPTER PROFILE

EURO KANALI KESİM CUTTING FOR EURO GROOVE		PVC KANALI KESİM CUTTING FOR MULTI-POINT		KASA PROFİLİ SEÇİMİ / PRAME PROFILE SELECTION		KANAT PROFİLİ SEÇİMİ SASH PROFILE SELECTION	
		1	SW	FW - 116	FW - 116		
		2	SH	FH - 68	FH - 68		
		1	AW	FW - 66	FW - 66		
		2	AH	FW - 33	FW - 33		
		1	SW	FW - 147,4	FW - 147,4		
		2	SH	FH - 83,7	FH - 83,7		
		1	AW	FW - 97,4	FW - 97,4		
		2	AH	FW - 48,7	FW - 48,7		
		1	SW2	SW-156,8	SW-156,8		
		2	GH	SH - 230,4	SH - 230,4		
		2	GW	SW - 156,8	SW - 156,8		

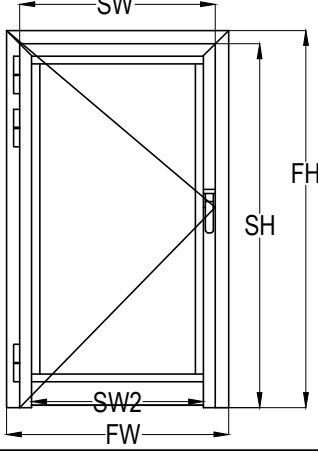
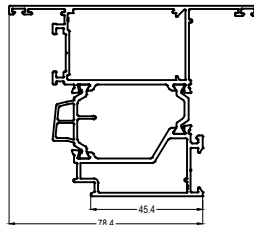
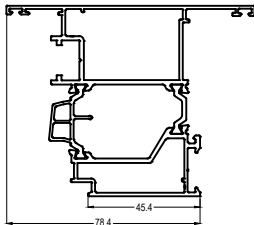
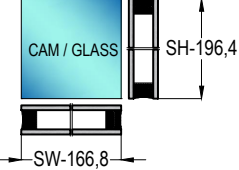
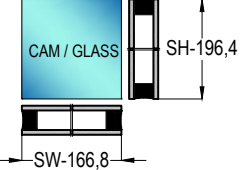
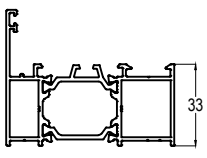
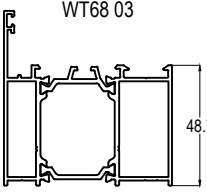
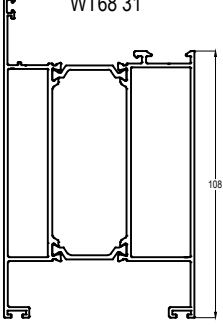
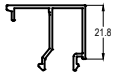
WT68

YALITIMLI KAPI-PENCERE SİSTEMİ
THERMAL WINDOW&DOOR SYSTEM

ASISTAL

TEK KANAT KAPI KESİM ÖLÇÜLERİ / DIŞA AÇILIR ADAPTÖR PROFİLSİZ

SINGLE SASH DOOR CUTTING SIZES / OUTER OPENING WITHOUT ADAPTER PROFILE

EURO KANALI KESİM CUTTING FOR EURO GROOVE		PVC KANALI KESİM CUTTING FOR MULTI-POINT		KASA PROFİLİ SEÇİMİ / PRAME PROFILE SELECTION		KANAT PROFİLİ SEÇİMİ SASH PROFILE SELECTION		WT68 13		WT68 M13	
											
											
		1	SW	FW - 54		FW - 54					
		2	SH	FH - 37		FH - 37					
		1	SW	FW - 85,4		FW - 85,4					
		2	SH	FH - 52,7		FH - 52,7					
		1	SW2	SW-156,8		SW-156,8					
		2	GH	SH - 230,4		SH - 230,4					
		2	GW	SW - 156,8		SW - 156,8					

WT68

YALITIMLI KAPI-PENCERE SİSTEMİ
THERMAL WINDOW&DOOR SYSTEM

ASISTAL

ÇİFT KANAT KAPI AÇILIM KESİM ÖLÇÜLERİ / İÇE AÇILIR

DOUBLE SASH DOOR CUTTING SIZES / INNER OPENING

EURO KANALI KESİM CUTTING FOR EURO GROOVE		KASA PROFİLİ SEÇİMİ / PRAME PROFILE SELECTION		KANAT PROFİLİ SEÇİMİ SASH PROFILE SELECTION		WT68 12		WT68 M12	
WT68 02		2	SW						
		4	SH						
WT68 03		2	SW						
		4	SH						
WT68 41 - WT68 42		1	SSH						
WT68 31		2	SW2						
		4	GH						
		4	GW						

WT68

YALITIMLI KAPI-PENCERE SİSTEMİ
THERMAL WINDOW&DOOR SYSTEM

ASISTAL

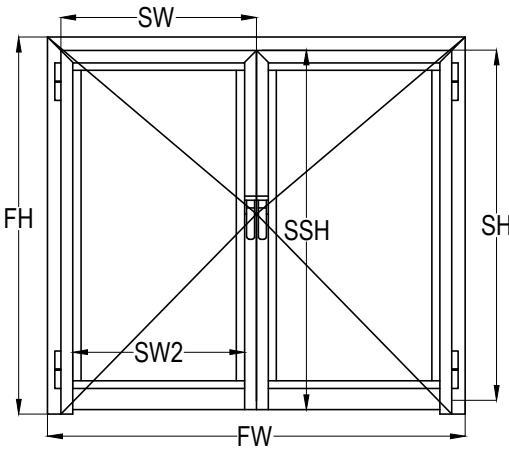
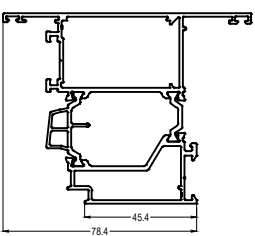
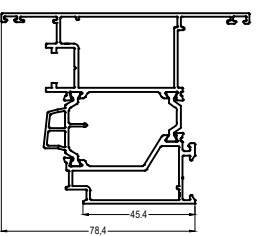
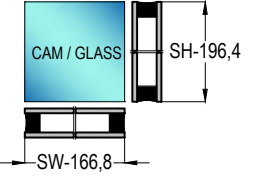
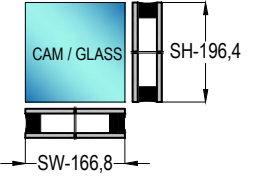
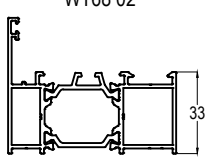
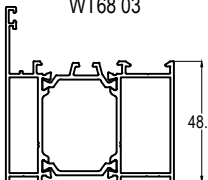
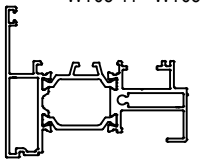
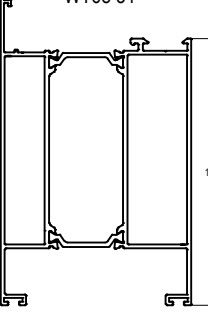
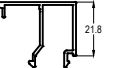
ÇİFT KANAT KAPI AÇILIM KESİM ÖLÇÜLERİ / DIŞ AÇILIR ADAPTÖR PROFİL İLE

DOUBLE SASH DOOR CUTTING SIZES / OUTER OPENING WITH ADAPTER PROFILE

EURO KANALLI KESİM CUTTING FOR EURO GROOVE		KASA PROFİLİ SEÇİMİ / PRAME PROFILE SELECTION		KANAT PROFİLİ SEÇİMİ SASH PROFILE SELECTION	
	2	SW	$FW/2 - 60,5$	$FW/2 - 60,5$	
	4	SH	$FH - 68$	$FH - 68$	
	1	AW	$FW - 66$	$FW - 66$	
	2	AH	$FH - 33$	$FH - 33$	
	2	SW	$FW/2 - 76,2$	$FW/2 - 76,2$	
	4	SH	$FH - 83,7$	$FH - 83,7$	
	1	AW	$FW - 97,4$	$FW - 97,4$	
	2	AH	$FH - 48,7$	$FH - 48,7$	
	1	SSH	SH-36	SH-36	
	1	SW2	SW - 156,8	SW - 156,8	
	4	GH	SH - 230,4	SH - 230,4	
	4	GW	SW - 156,8	SW - 156,8	

ÇİFT KANAT KAPI KESİM ÖLÇÜLERİ / DIŞA AÇILIR ADAPTÖR PROFİLSİZ

DOUBLE SASH DOOR CUTTING SIZES / OUTER OPENING WITHOUT ADAPTER PROFILE

EURO KANALI KESİM CUTTING FOR EURO GROOVE		KANAT PROFİLİ SEÇİMİ SASH PROFILE SELECTION		WT68 13	WT68 M13
					
KASA PROFİLİ SEÇİMİ / PRAME PROFILE SELECTION					
	2	SW	∇ FW/2 - 29,5	∇ FW/2 - 29,5	
	4	SH	∇ FH - 37	∇ FH - 37	
	2	SW	∇ FW/2 - 45,2	∇ FW/2 - 45,2	
	4	SH	∇ FH - 52,7	∇ FH - 52,7	
	1	SSH	∇ SH-36	∇ SH-36	
	1	SW2	∇ SW - 156,8	∇ SW - 156,8	
	4	GH	∇ SH - 230,4	∇ SH - 230,4	
	4	GW	∇ SW - 156,8	∇ SW - 156,8	

WT68

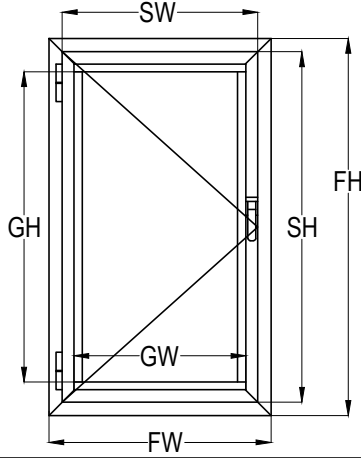
YALITIMLI KAPI-PENCERE SİSTEMİ
THERMAL WINDOW&DOOR SYSTEM

ASISTAL

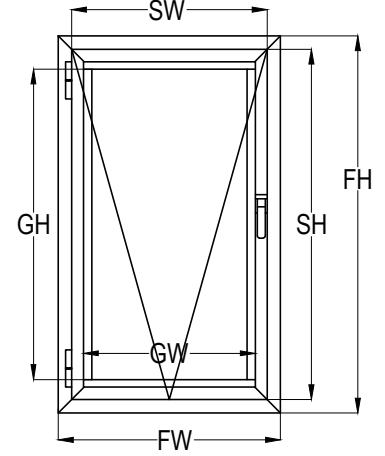
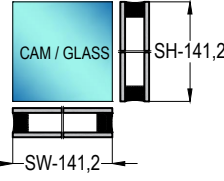
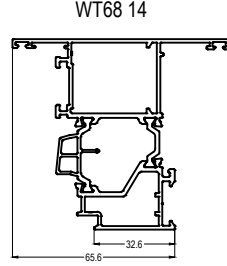
DIŞA AÇILIR TEK KANAT PENCERE KESİM ÖLÇÜLERİ

OUTER OPENING SINGLE SASH WINDOW CUTTING SIZES

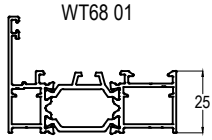
EURO KANALLI KESİM
CUTTING FOR EURO GROOVE



KANAT PROFİLİ SEÇİMİ
SASH PROFILE SELECTION



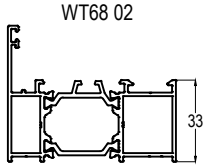
KASA PROFİLİ SEÇİMİ / PRAME PROFILE SELECTION



2

SW

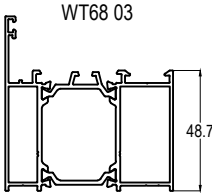
FW - 38



2

SW

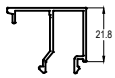
FW - 54



2

SW

FW - 85,4



2

GH

SH - 175,2

2

GW

SW - 131,2