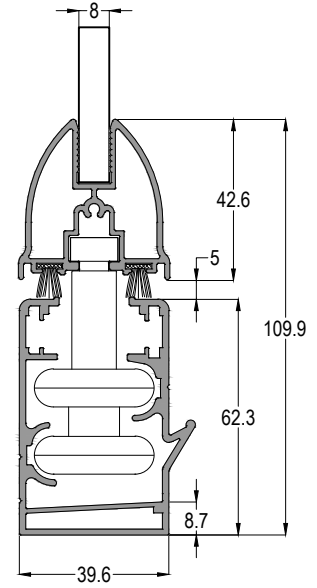
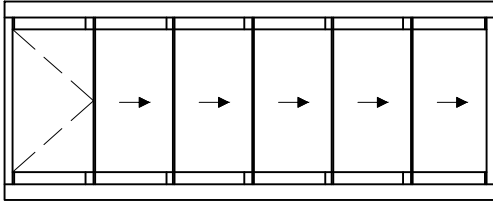


AB40

CAM BALKON SİSTEMİ
GLASS BALCONY SYSTEM



KASA DERİNLİĞİ : 40mm

Frame Depth

KASA YÜKSEKLİĞİ : 62mm

Frame Height

ALT KANAT YÜKSEKLİĞİ : 42mm

Bottom Sash Height

CAM KALINLIĞI : 8mm - 10mm

Glass Thickness



AB40

CAM BALKON SİSTEMİ
GLASS BALCONY SYSTEM

ASISTAL

PROFİL DETAYLARI

PROFILE DETAILS

PROFİL LİSTESİ - PROFILE LISTS

13-09364			AB40-14		
KASA PROFİLİ HORIZONTAL FRAME PROFILE	AĞIRLIK / Weight 1,417 kg/mt		KASA PROFİLİ HORIZONTAL FRAME PROFILE	AĞIRLIK / Weight 1,513 kg/mt	
13-09672			13-09365		
KASA PROFİLİ HORIZONTAL FRAME PROFILE	AĞIRLIK / Weight 1,218 kg/mt		DAMLALILIKLI KASA PROFİLİ FRAME PROFILE	AĞIRLIK / Weight 1,480 kg/mt	
13-09672R			1477		
KASA PROFİLİ HORIZONTAL FRAME PROFILE	AĞIRLIK / Weight 1,252 kg/mt		PERDELİK PROFİLİ PROFILE FOR BLIND	AĞIRLIK / Weight 1,252 kg/mt	
1146					
KASA PROFİLİ HORIZONTAL FRAME PROFILE	AĞIRLIK / Weight 1,428 kg/mt				
13-09672D			13-09448		
DAMLALILIKLI KASA PROFİLİ FRAME PROFILE	AĞIRLIK / Weight 1,309 kg/mt		PERDELİK PROFİLİ PROFILE FOR BLIND	AĞIRLIK / Weight 0,848 kg/mt	

PROFİL LİSTESİ - PROFILE LISTS

AB40-31			1194		
YAN KASA PROFİLİ VERTICAL FRAME PROFILE	AĞIRLIK / Weight 0,467 kg/mt		AÇILI KANAT BİTİŞ PROFİLİ ANGLE FINISH PROFILE	AĞIRLIK / Weight 0,179 kg/mt	
15-550200-10			AB40-33		
DAMLALIK PROFİLİ WATER DRAINAGE PROFILE	AĞIRLIK / Weight 0,395 kg/mt		AÇILI KANAT BİTİŞ KOL PROFİLİ ANGLE FINISH PROFILE	AĞIRLIK / Weight 0,239 kg/mt	
13-09482			AB40-32		
CAM CAMA DÖNÜŞ PROFİLİ CORNER PROFILE	AĞIRLIK / Weight 0,310 kg/mt		AÇILI KANAT BİTİŞ KOL PROFİLİ ANGLE FINISH PROFILE	AĞIRLIK / Weight 0,204 kg/mt	
03-050020-11			AB40-34		
"L" PROFİLİ "L" PROFILE	AĞIRLIK / Weight 0,205 kg/mt		AÇILI KANAT BİTİŞ KOL PROFİLİ ANGLE FINISH PROFILE	AĞIRLIK / Weight 0,109 kg/mt	
13-09109					
KANAT ÇITA PROFİLİ SASH VERTICAL PROFILE	AĞIRLIK / Weight 0,140 kg/mt				
13-09110					
KANAT ÇITA PROFİLİ SASH VERTICAL PROFILE	AĞIRLIK / Weight 0,167 kg/mt				
13-08506					
KANAT ÇITA PROFİLİ SASH VERTICAL PROFILE	AĞIRLIK / Weight 0,216 kg/mt				
13-09144					
KANAT ÇITA PROFİLİ SASH VERTICAL PROFILE	AĞIRLIK / Weight 0,151 kg/mt				
1015					
KANAT BİTİŞ ÇITA PROFİLİ SASH VERTICAL PROFILE	AĞIRLIK / Weight 0,089 kg/mt				
13-08505					
KANAT BİTİŞ ÇITA PROFİLİ SASH VERTICAL PROFILE	AĞIRLIK / Weight 0,127 kg/mt				







8mm CAM KANAT PROFİL VE AKSESUARLARI

10mm CAM KANAT PROFİL VE AKSESUARLARI

13-09366			AB40-22		
KANAT PROFİLİ 8mm CAM İÇİN <i>SASH PROFILE-8mm GLASS</i>	AĞIRLIK / Weight 0,861 kg/mt		KANAT PROFİLİ 10mm CAM İÇİN <i>SASH PROFILE-10mm GLASS</i>	AĞIRLIK / Weight 0,854 kg/mt	
13-09936					
FIRTINA SERİ KANAT PROFİLİ -8mm <i>SASH PROFILE-8mm GLASS</i>	AĞIRLIK / Weight 0,995 kg/mt				
AB40-23					
İSPANYOLET KİLİTLEME KASA PROFİLİ <i>MULTI POINT LOCK FRAME PROFILE</i>	AĞIRLIK / Weight 0,510 kg/mt				
AB40-24					
İSPANYOLET KİLİTLEME KANAT PROFİLİ <i>MULTI POINT LOCK SASH PROFILE</i>	AĞIRLIK / Weight 0,729 kg/mt				
B40-03			B40-03-10		
DÜZ KAPAK SAĞ/SOL <i>FLAT COVER LEFT/RIGHT</i>			DÜZ KAPAK SAĞ/SOL <i>FLAT COVER LEFT/RIGHT</i>		
B40-04			B40-04-10		
DUVAR BİTİM KAPAĞI SAĞ/SOL <i>WALL PROFILE COVER LEFT/RIGHT</i>			DUVAR BİTİM KAPAĞI SAĞ/SOL <i>WALL PROFILE COVER LEFT/RIGHT</i>		
B40-05			B40-05-10		
17'LİK OVAL KAPAK SAĞ/SOL <i>SMALL ANGLE SASH COVER LEFT/RIGHT</i>			17'LİK OVAL KAPAK SAĞ/SOL <i>SMALL ANGLE SASH COVER LEFT/RIGHT</i>		
B40-06			B40-06-10		
135° LİK DÖNÜŞ KAPAĞI SAĞ/SOL <i>135° CORNER COVER LEFT/RIGHT</i>			135° LİK DÖNÜŞ KAPAĞI SAĞ/SOL <i>135° CORNER COVER LEFT/RIGHT</i>		
B40-07			B40-07-10		
90° LİK DÖNÜŞ KAPAĞI SAĞ/SOL <i>90° CORNER COVER LEFT/RIGHT</i>			90° LİK DÖNÜŞ KAPAĞI SAĞ/SOL <i>90° CORNER COVER LEFT/RIGHT</i>		

B40-01		B40-08	
KANAT PARK / KİLİT TEKER SASH ROLLER FOR PARK / LOCK		TEKER ÇIKIŞ PLASTİĞİ WHEEL OUT COVER	
B40-02		B40-12	
KANAT SABİT TEKER ROLLER FOR SASH		KANAT TEKER KILAVUZU (KATLANIR) WHEEL GUIDE	
B40-09		B40-17	
KİLİT LOCK		SOMUNLU ÇIKIŞ KAPAĞI EXIT COVER	
B40-10		B40-24	
ALÜMİNYUM ALT PİM FIXED SASH HINGE BOTTOM		YAN KASA BAĞLANTI FRAME JOINT	
B40-11		B40-26	
ALÜMİNYUM ÜST PİM FIXED SASH HINGE TOP		AB40-23 / AB40-24 İÇİN KAPAK İSPANYOLET KAPAK COVER FOR AB40-23 AND AB40-24	
B40-13		B40-18 / 70.04.026	
1'Lİ KANAT PARK SABİTLEME SINGLE SASH FIXING SLOT		ELMAS ARMUT TUTAMAK HANDLE	
B40-14		CCH-8S	
3'LÜ KANAT PARK SABİTLEME TRIPLE SASH FIXING SLOT		"H" CAM CONTASI 8-10S "H" GLASS GASKET 8-10S	
B40-15		CCh-8S	
5'Lİ KANAT PARK SABİTLEME FIVE SASH FIXING SLOT		"h" CAM CONTASI "h" GLASS GASKET	
B40-16		CCh-8A	
8'Lİ KANAT PARK SABİTLEME EIGHT SASH FIXING SLOT		135° KÖŞE "h" CAM CONTASI 135° CORNER "h" GLASS GASKET	
B40-19		CC90-8S	
KAYAR STOPLAMA SASH STOPPER		90° KÖŞE "h" CAM CONTASI-3MT. 90° CORNER "h" GLASS GASKET	

AKSESUARLAR - ACCESSORIES

B40-20			
HAREKETLİ MAFSAL MOVING MAFSAL			
70.01.081			
PLASTİK BONCUK-İP PLASTIC ROPE-200MT.			
70.01.077			
ÇELİK BONCUK-İP STEEL ROPE-100MT.			
KF 67-550			
FIRÇA FİTİL - 5,5mm BRUSH GASKET- 5,5mm			
KF 67-700			
FIRÇA FİTİL - 7mm BRUSH GASKET- 7mm			
KF 67-1000			
FIRÇA FİTİL - 10mm BRUSH GASKET- 10mm			

AB40

CAM BALKON SİSTEMİ
GLASS BALCONY SYSTEM

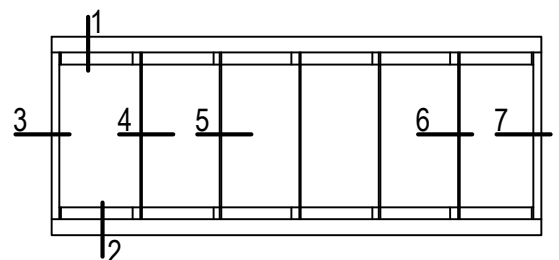
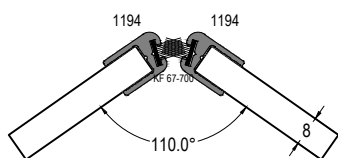
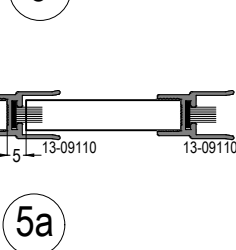
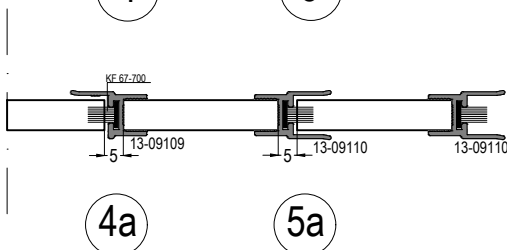
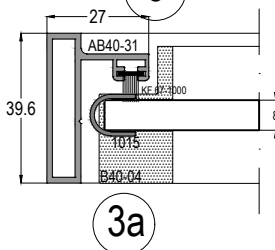
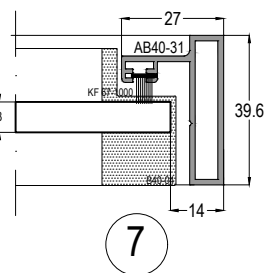
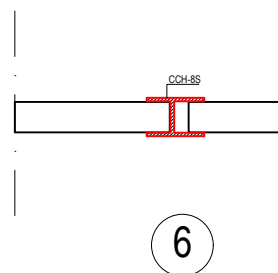
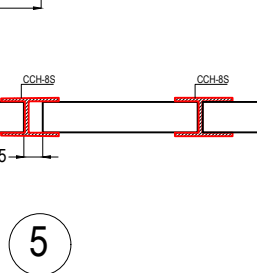
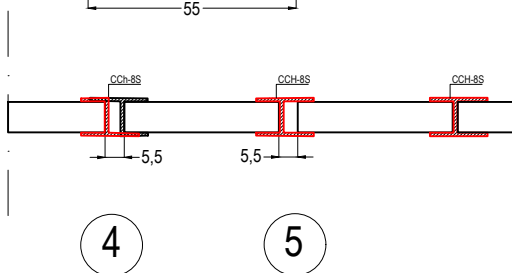
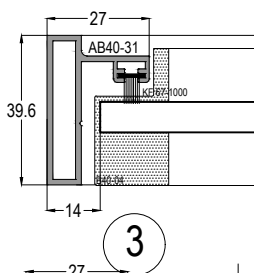
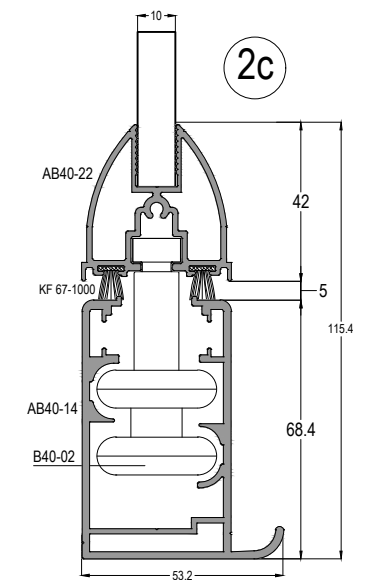
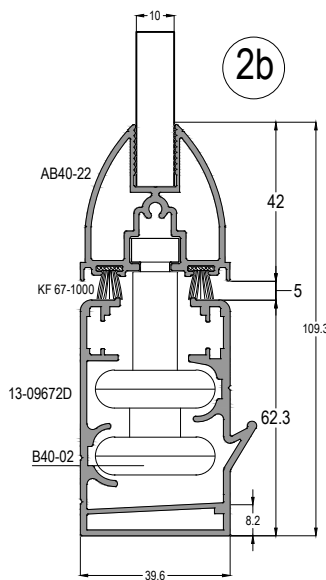
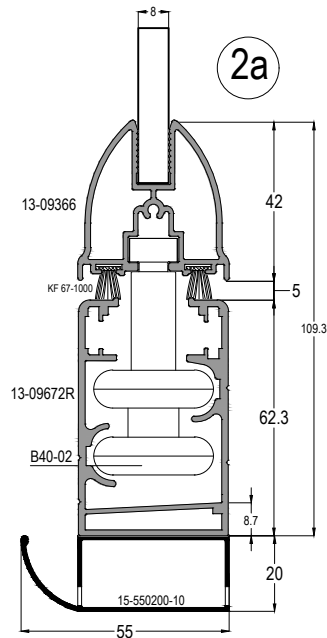
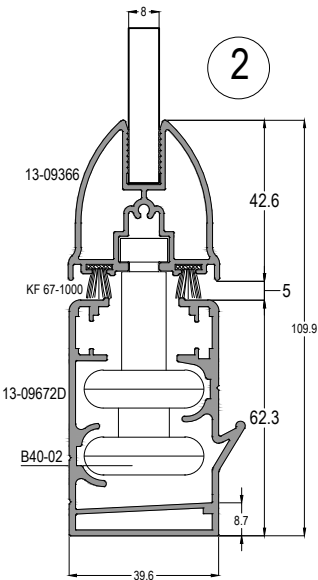
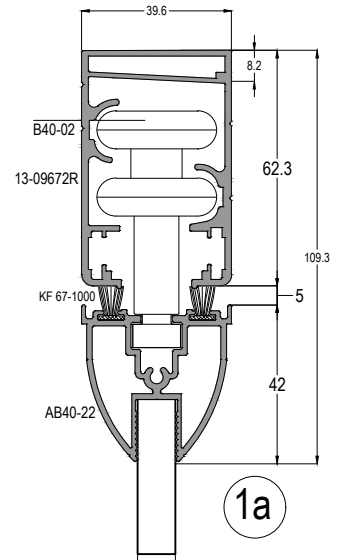
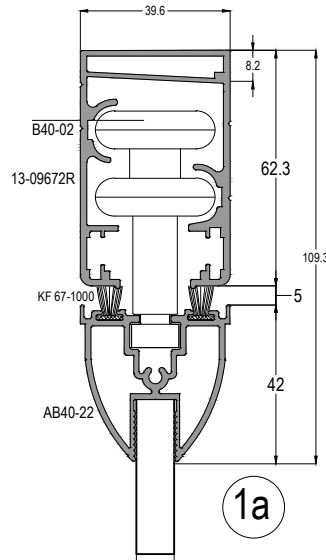
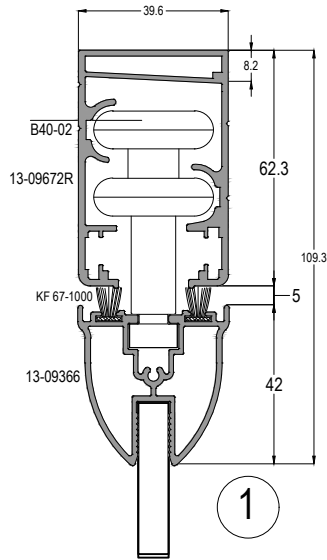
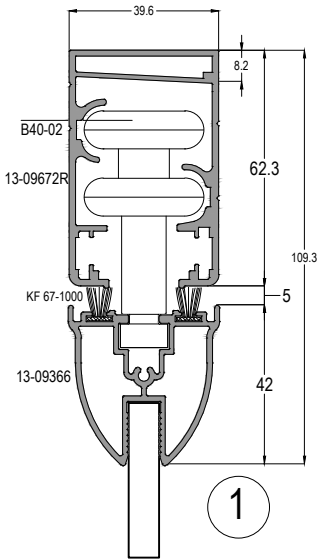
ASISTAL

SİSTEM DETAYLARI
SYSTEM DETAILS

AB40

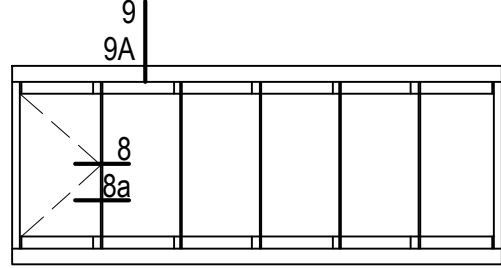
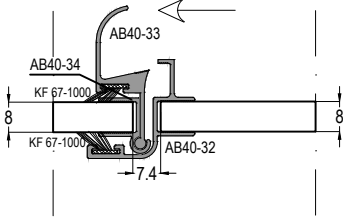
CAM BALKON SISTEMI

GLASS BALCONY SYSTEM

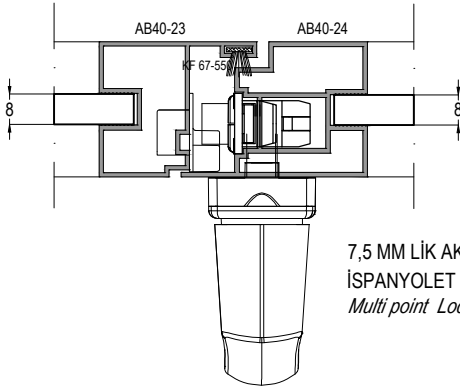




8

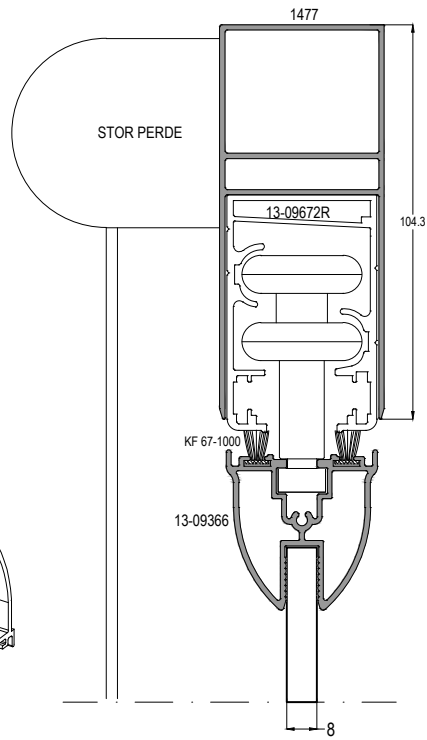


8a



7,5 MM LİK AKS
İSPANYOLET KOL VE KİLİTLEME MEKANİZMASI
Multi point Locking-7,5mm

9



9a

