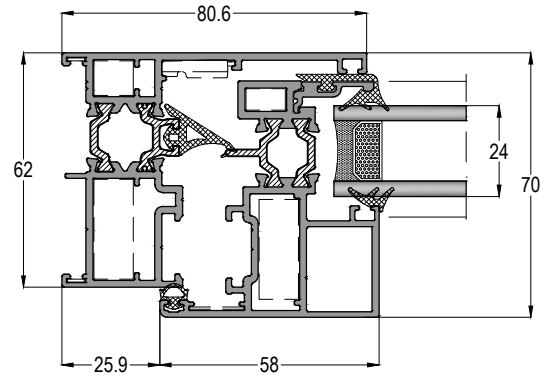


TH62-HV

YALITIMLI GİZLİ KANAT SİSTEMİ
THERMAL HIDDEN WINDOW SYSTEM



İÇE AÇILIR
INWARD OPENING



KASA GENİŞLİĞİ	: 62 mm
Frame width	
KANAT DERİNLİĞİ	: 65 mm
Sash depth	
SİSTEM ET KALINLIĞI	: 1,8 mm
System wall tickness	
ISI BARİYERİ	: 18 mm
Insulation barrier	
CAM KALINLIĞI	: 20 mm - 22 mm - 24 mm
Glass thickness	



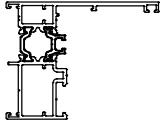
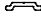
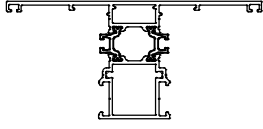
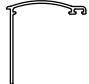
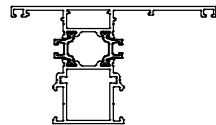
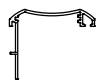
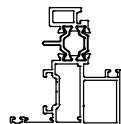

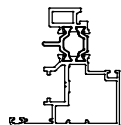

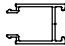
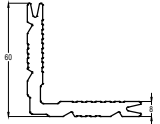



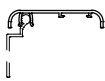
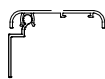
TH62-HV

YALITIMLI GİZLİ KANAT SİSTEMİ
THERMAL HIDDEN WINDOW SYSTEM

ASISTAL

PROFİL VE AKSESUAR LİSTELERİ
PROFILE & ACCESSORIES LISTS

PROFİL LİSTESİ - PROFILES LIST

TH62 05	Jx cm ⁴ 26,18	Jy cm ⁴ 21,08		12-41	
KASA PROFİLİ FRAME PROFILE	AĞIRLIK / Weight 1,577 kg/mt			TİJ PROFİLİ ROD PROFILE	
TH62 26	Jx cm ⁴ 33,71	Jy cm ⁴ 56,33		12-54	
ORTA KAYIT PROFİLİ TRANSOM-MULLION PROFILE	AĞIRLIK / Weight 2,068 kg/mt			PERVAZ PROFİLİ BORDER PROFILE	
TH62 27	Jx cm ⁴ 31,30	Jy cm ⁴ 36,34		12-57	
ORTA KAYIT PROFİLİ TRANSOM-MULLION PROFILE	AĞIRLIK / Weight 1,908 kg/mt			PERVAZ PROFİLİ BORDER PROFILE	
TH62 17	Jx cm ⁴ 23,73	Jy cm ⁴ 8,05		12-91	
KANAT PROFİLİ SASH PROFILE	AĞIRLIK / Weight 1,532 kg/mt			DİK BAĞLANTI T JOINT	
TH62 20	Jx cm ⁴ 21,61	Jy cm ⁴ 8,26		04-025025-12	
KANAT PROFİLİ MULTI POINT SİSTEM SASH PROFILE-MULTI POINT	AĞIRLIK / Weight 1,409 kg/mt			KASA T 'Sİ - 30 mm FRAME BORDER	
TH68 49				FC10-080-00	
ADAPTÖR PROFİLİ ADAPTER PROFILE	AĞIRLIK / Weight 0,360 kg/mt			KÖŞE TAKOZU- 8 mm CORNER JOINT	
TH62 1125				10-010106-00	
CAM ÇİTASI GLAZING BEAD PROFILE	AĞIRLIK / Weight 0,140 kg/mt			KÖŞE TAKOZU-10,6 mm CORNER JOINT	
11-026					
CAM ÇİTASI-26 mm GLAZING BEAD PROFILE	AĞIRLIK / Weight 0,296 kg/mt				
12-52					
PERVAZ PROFİLİ BORDER PROFILE	AĞIRLIK / Weight 0,279 kg/mt				
12-53					
PERVAZ MONTAJ PROFİLİ BORDER FIXING PROFILE	AĞIRLIK / Weight 0,177 kg/mt				

AKSESUAR LİSTESİ - ACCESSORIES LIST

EP2-01			ASI-KA P200		
İÇ CAM FİTİLİ - 3 mm <i>INNER GLAZING GASKET</i>	KOLİ MİKTARI/Package 440 mt / 15 kg		EKSENEL KOL KİLİTLEME MEKANİZMASI <i>LOCKING FOR WINDOW</i>	KOLİ MİKTARI/Package Adet / Piece	
EP2-02			ASI-KA VNT		
İÇ CAM FİTİLİ - 4 mm <i>INNER GLAZING GASKET</i>	KOLİ MİKTARI/Package 300 mt / 15 kg		KANAT SABİTLEME <i>SASH FIXING</i>	KOLİ MİKTARI/Package Adet / Piece	
EP2-03			ASI-V 816		
İÇ CAM FİTİLİ - 5 mm <i>INNER GLAZING GASKET</i>	KOLİ MİKTARI/Package 250 mt / 15 kg		VASİSTAS AÇILIM KOLU <i>TRANSOM OPENING HANDLE</i>	KOLİ MİKTARI/Package 50 Adet / Piece	
EP2-04			ASI-V 820		
İÇ CAM FİTİLİ <i>INNER GLAZING GASKET</i>	KOLİ MİKTARI/Package 250 mt / 15 kg		VASİSTAS AÇILIM KOLU <i>TRANSOM OPENING HANDLE</i>	KOLİ MİKTARI/Package 30 Adet / Piece	
EP3-01			ASI-V 1000		
KANAT BİNİ FİTİLİ <i>SASH GASKET</i>	KOLİ MİKTARI/Package 430 mt / 15 kg		VASİSTAS MAKAS (PVC) <i>TRANSOM RESTRICTER</i>	KOLİ MİKTARI/Package 120 Adet / Piece	
EP3-03			ASI-V 1080		
KASA BİNİ FİTİLİ <i>FRAME GASKET</i>	KOLİ MİKTARI/Package mt / kg		VASİSTAS MAKAS <i>TRANSOM RESTRICTER</i>	KOLİ MİKTARI/Package 60 Adet / Piece	
EP4-05			ASI-V 1275-3		
ORTA BİNİ FİTİLİ <i>GASKET FOR OPEN JOINT</i>	KOLİ MİKTARI/Package 100 mt / 15 kg		VASİSTAS 3 KADEMELİ ÇELİK MAKAS <i>TRANSOM RESTRICTER WITH 3 POSITIONS</i>	KOLİ MİKTARI/Package 10 Adet / Piece	
ASI-WH 003			ASI-V 1275-5		
TEK DİLLİ EKSENEL KOL <i>WINDOW HANDLE</i>	KOLİ MİKTARI/Package Adet / Piece		VASİSTAS 5 KADEMELİ ÇELİK MAKAS <i>TRANSOM RESTRICTER WITH 5 POSITIONS</i>	KOLİ MİKTARI/Package 10 Adet / Piece	
ASI-WH 004			ASI-H 9730		
ÇİFT DİLLİ EKSENEL KOL <i>WINDOW HANDLE</i>	KOLİ MİKTARI/Package Adet / Piece		SİSTEM İKİLİ MENTEŞE <i>DOUBLE SYSTEM HINGE</i>	KOLİ MİKTARI/Package 250 Adet / Piece	
ASI-KA M108			ASI-H 9733		
EKSENEL KOL KİLİTLEME MEKANİZMASI <i>LOCKING FOR WINDOW</i>	KOLİ MİKTARI/Package Adet / Piece		SİSTEM ÜÇLÜ MENTEŞE <i>TRIPLE SYSTEM HINGE</i>	KOLİ MİKTARI/Package 250 Adet / Piece	

AKSESUAR LİSTESİ - ACCESSORIES LIST

ASI-RP 001			ASI-ALU TT		
TİJ PİMİ <i>ROD PROFILE LOCKING</i>	KOLİ MİKTARI/Package Adet / Piece		ÇİFT EKSEN AÇILIM MEKANİZMASI <i>TILT&TURN OPENING</i>	KOLİ MİKTARI/Package Takım / Set	
ASI-RS 001			ASI-PB 1126		
PİM KARŞILIĞI <i>ROD PROFILE STRIKES</i>	KOLİ MİKTARI/Package 120 Adet / Piece		PİMLİ KÖŞE BAĞLANTI <i>CORNER JOINT</i>	KOLİ MİKTARI/Package 200 Adet / Piece	
ASI-FUJI 2000			ASI-KT 0831		
AYARLI KÖŞE GÖNYESİ <i>CORNER ALIGNMENT</i>	KOLİ MİKTARI/Package Adet / Piece		KÖŞE TAKOZU <i>CORNER JOINT</i> FC10-080-00 (2,038 kg)	KESİM ÖLÇÜSÜ 30,5 mm	
ASI-SB 19			ASI-KT 1105		
KÖŞE GÖNYESİ <i>CORNER ALIGNMENT</i>	KOLİ MİKTARI/Package 1000 Adet / Piece		KÖŞE TAKOZU <i>CORNER JOINT</i> 10-010106-00 (2,653 kg)	KESİM ÖLÇÜSÜ 5 mm	
ASI-SB 19.1			ASI-KT 1109		
KÖŞE GÖNYESİ <i>CORNER ALIGNMENT</i>	KOLİ MİKTARI/Package 1000 Adet / Piece		KÖŞE TAKOZU <i>CORNER JOINT</i> 10-010106-00 (2,653 kg)	KESİM ÖLÇÜSÜ 8,5 mm	
ASI-P 100.1			ASI-KT 1126		
ORTA KAYIT BAĞLANTI <i>T JOINT</i>	KOLİ MİKTARI/Package 250 Adet / Piece		KÖŞE TAKOZU <i>CORNER JOINT</i> 10-010106-00 (2,653 kg)	KESİM ÖLÇÜSÜ 26,5 mm	
EM 12-54			501 EKO PANÇ		
PLASTİK KÖŞE BİRLEŞTİRME <i>ALIGNMENT PLASTIC</i> CORNER JOINT	KOLİ MİKTARI/Package Adet / Piece		KÖŞE PİMLİ BAĞLANTI PANÇ MAKİNESİ <i>PUNCH MACHINE FOR CORNER JOINT WITH PIN</i>	KOLİ MİKTARI/Package Adet / Piece	
ASI-DB 9123					
DİK BAĞLANTI <i>T JOINT</i>	KOLİ MİKTARI/Package Adet / Piece				
ASI-WDC 01					
YAĞMUR TAHLİYE KAPAĞI <i>WATER REJECT COVER</i>	KOLİ MİKTARI/Package Adet / Piece				
153.90.02.127					
20X28 PVC KUTU <i>PVC BOX PROFILE</i>	KOLİ MİKTARI/Package 6/mt.				

TH62-HV

YALITIMLI GİZLİ KANAT SİSTEMİ
THERMAL HIDDEN WINDOW SYSTEM

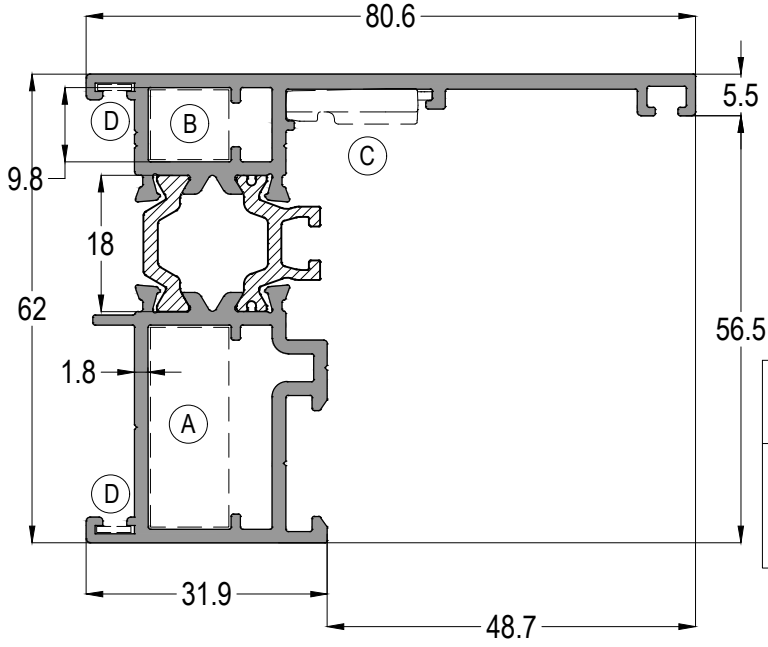
ASISTAL

PROFİL DETAYLARI
PROFILE DETAILS

TH62-HV

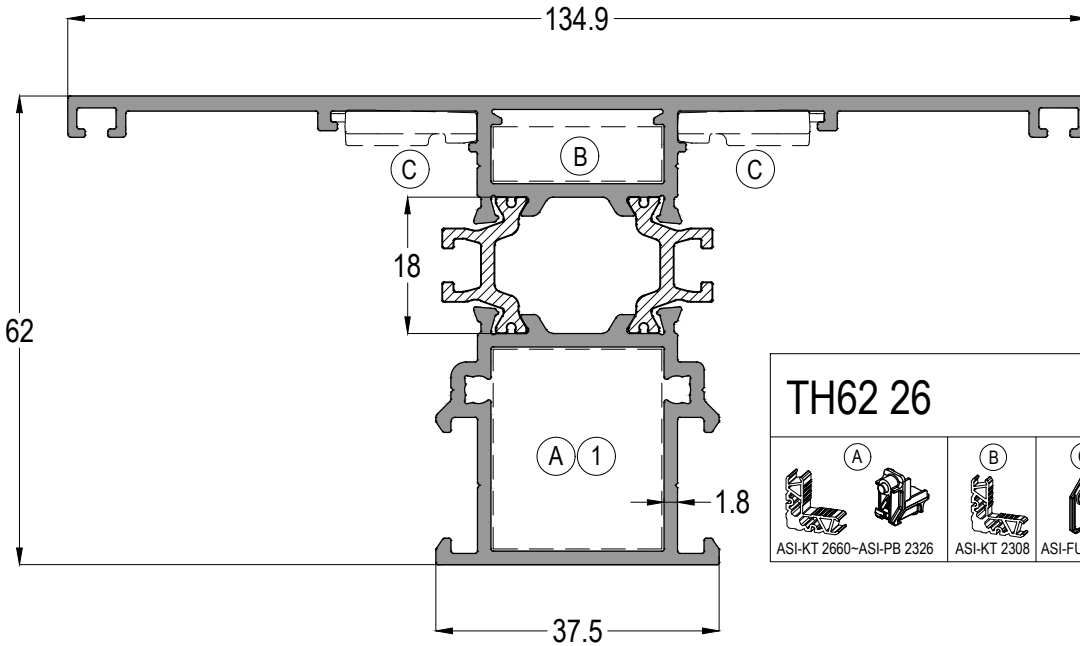
YALITIMLI GİZLİ KANAT SİSTEMİ
THERMAL HIDDEN WINDOW SYSTEM

ASISTAL



TH62 05				Jx cm ⁴	Jy cm ⁴
				26,18	21,08
AĞIRLIK / Weight					
1,577 kg/mt					

A	B	C	D
ASI-KT 1126-ASI-PB 1126	ASI-KT 1109	ASI-FUJII 2000	ASI-SB 19



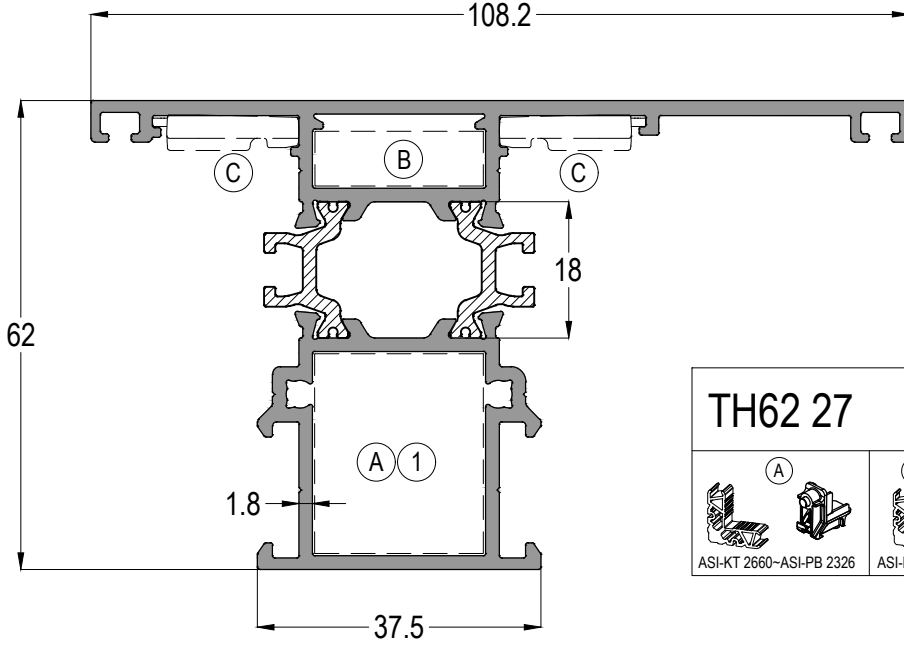
TH62 26				Jx cm ⁴	Jy cm ⁴
				33,71	56,33
AĞIRLIK / Weight					
2,068 kg/mt					

A	B	C	1
ASI-KT 2660-ASI-PB 2326	ASI-KT 2308	ASI-FUJII 2000	ASI-DB 9123

TH62-HV

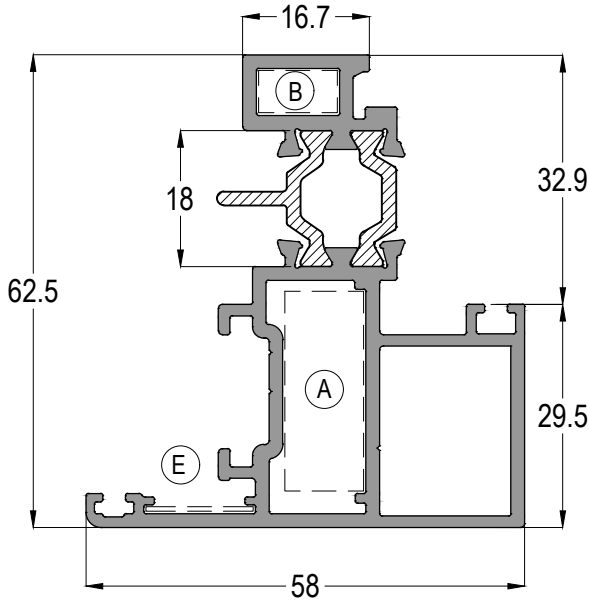
YALITIMLI GİZLİ KANAT SİSTEMİ
THERMAL HIDDEN WINDOW SYSTEM

ASISTAL



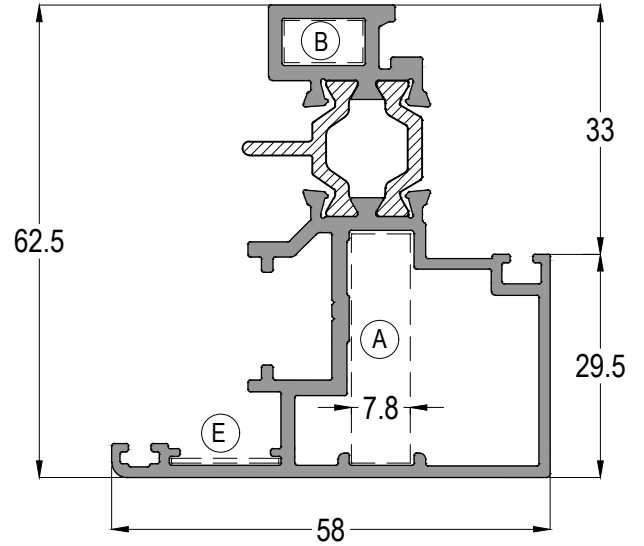
TH62 27				Jx cm ⁴	Jy cm ⁴
				31,30	36,34
AĞIRLIK / Weight					
				1,908 kg/mt	

--	--	--	--	--	--



TH62 17			Jx cm ⁴	Jy cm ⁴
			23,73	8,05
AĞIRLIK / Weight				
			1,532 kg/mt	

--	--	--	--	--



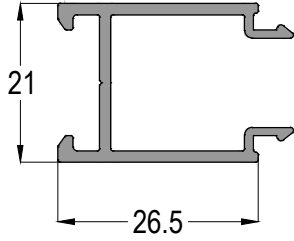
TH62 20			Jx cm ⁴	Jy cm ⁴
			21,61	8,26
AĞIRLIK / Weight				
			1,409 kg/mt	

--	--	--	--	--

TH62-HV

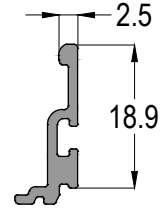
YALITIMLI GİZLİ KANAT SİSTEMİ
THERMAL HIDDEN WINDOW SYSTEM

ASISTAL



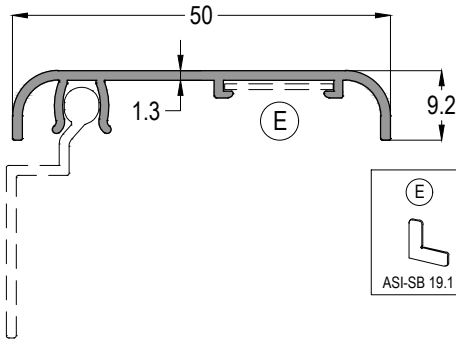
TH68 49

0,360 kg/mt



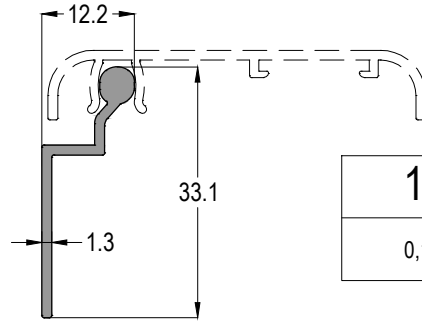
TH62 1125

0,140 kg/mt



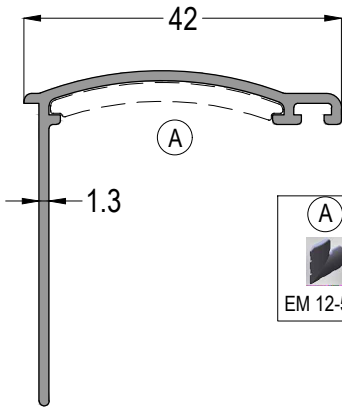
12-52

0,279 kg/mt



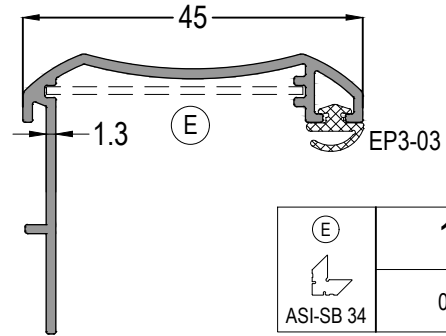
12-53

0,177 kg/mt



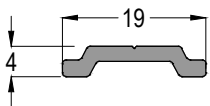
12-54

0,326 kg/mt



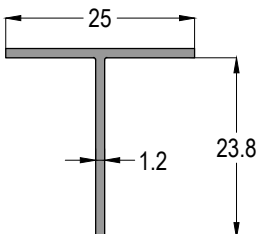
12-57

0,358 kg/mt



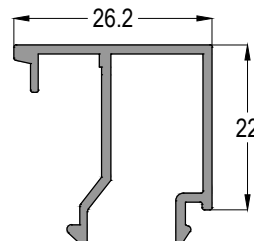
12-41

0,118 kg/mt



04-025025-12

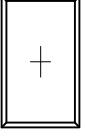
0,158 kg/mt



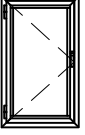
11-026

0,296 kg/mt

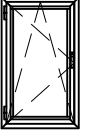
AÇILIM TİPLERİ - OPENING TYPES



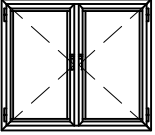
SABİT
FIXED



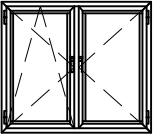
TEK AÇILIR KANAT
SINGLE OPENING SASH



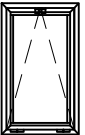
TEK KANAT ÇİFT EKSEN AÇILIM KANAT
SINGLE TILT-TURN OPENING SASH



ÇİFT AÇILIR KANAT
DOUBLE OPENING SASH



ÇİFT EKSEN AÇILIM ÇİFT KANAT
DOUBLE TILT-TURN OPENING SASH



VASİSTAS AÇILIR KANAT
VENT OPENING SASH

TH62-HV

YALITIMLI GİZLİ KANAT SİSTEMİ
THERMAL HIDDEN WINDOW SYSTEM

ASISTAL

SİSTEM DETAYLARI
SYSTEM DETAILS

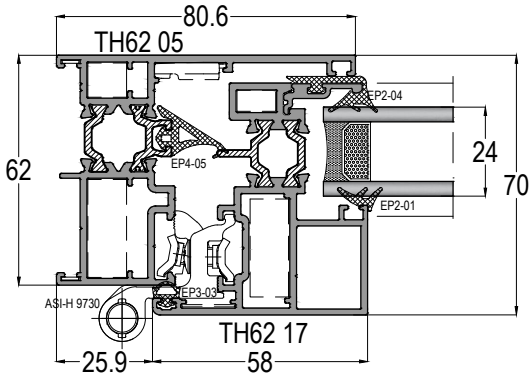
TH62-HV

YALITIMLI GİZLİ KANAT SİSTEMİ
THERMAL HIDDEN WINDOW SYSTEM

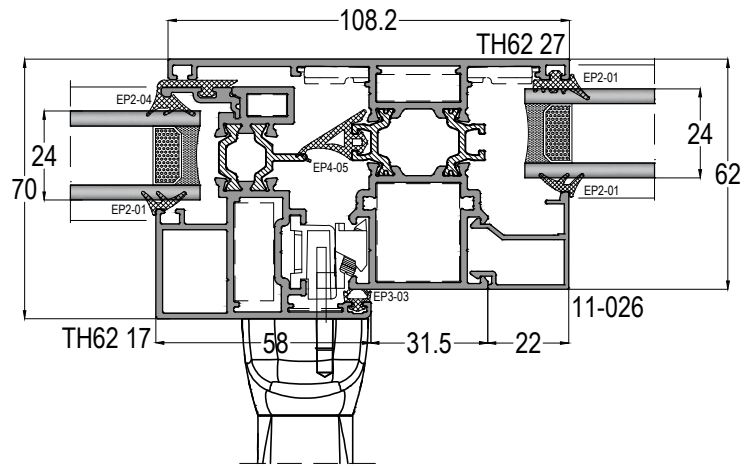
ASISTAL

PENCERE AÇILIM DETAYLARI WINDOW OPENING DETAILS

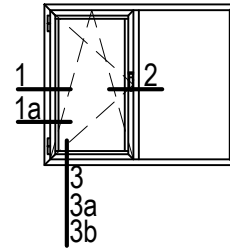
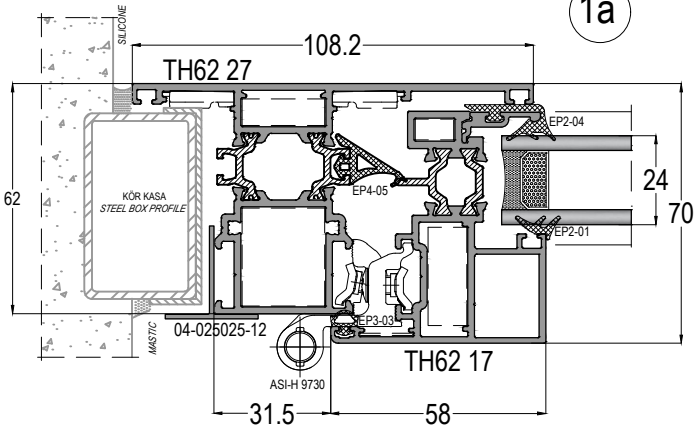
1



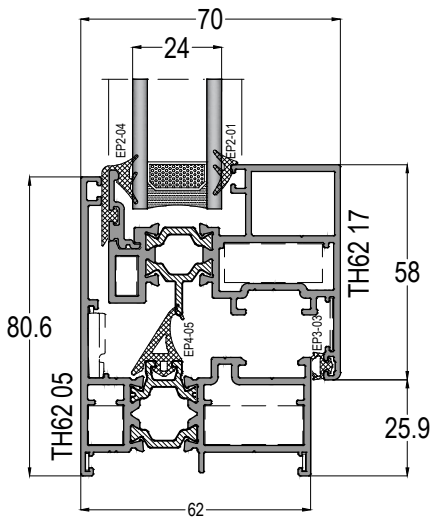
2



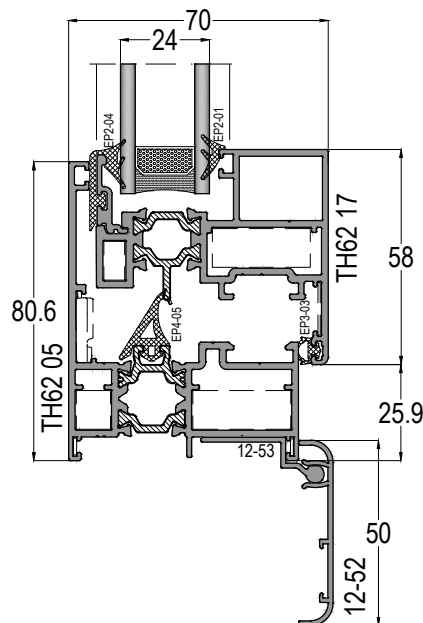
1a



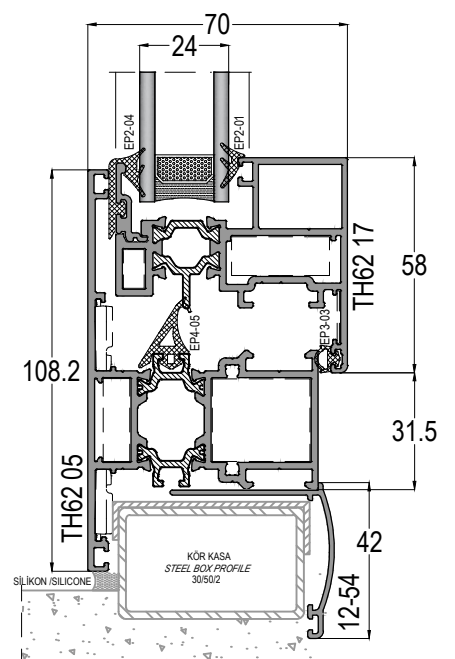
3



3a



3b

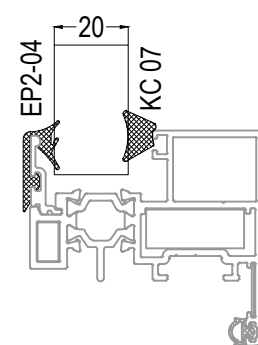
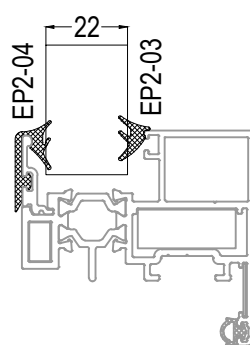
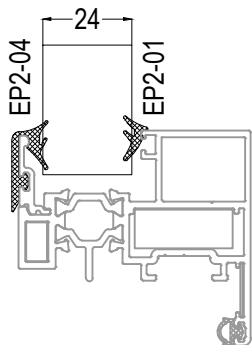
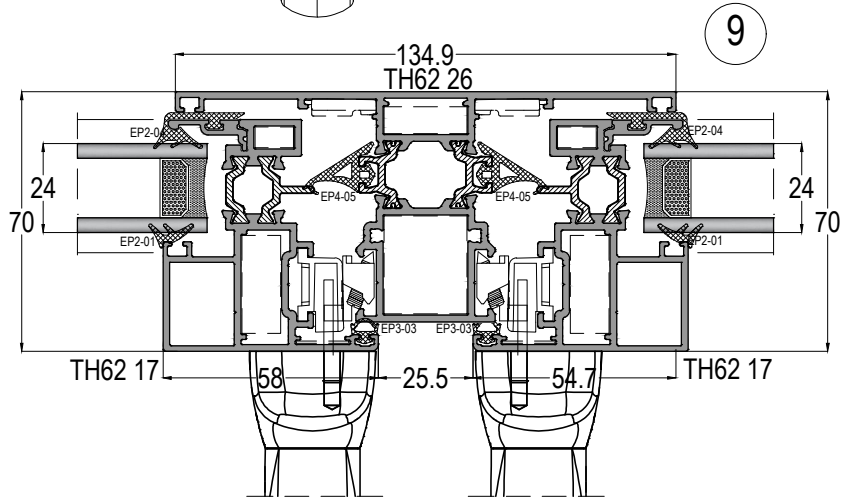
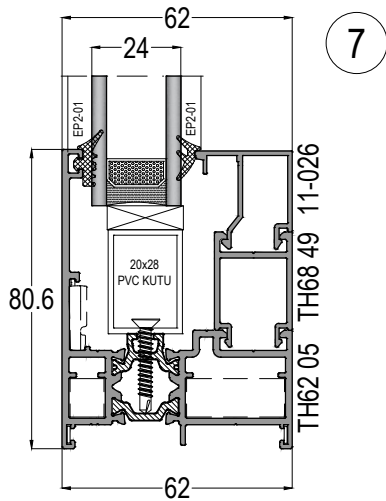
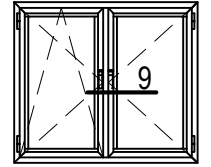
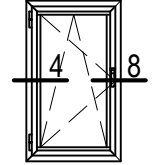
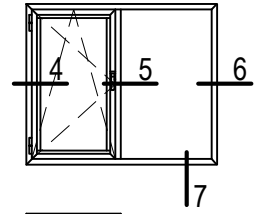
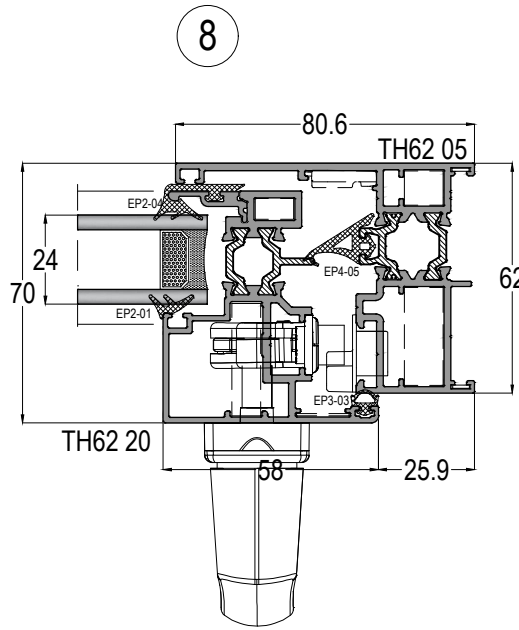
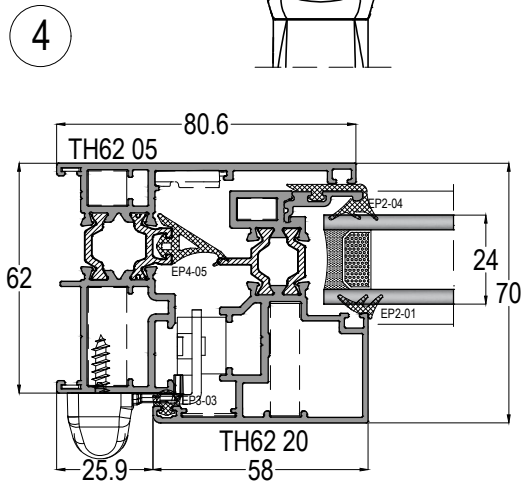
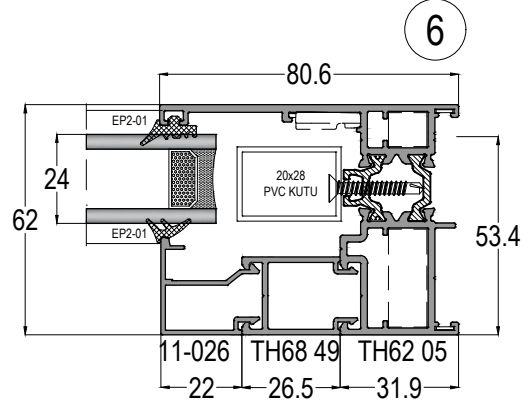
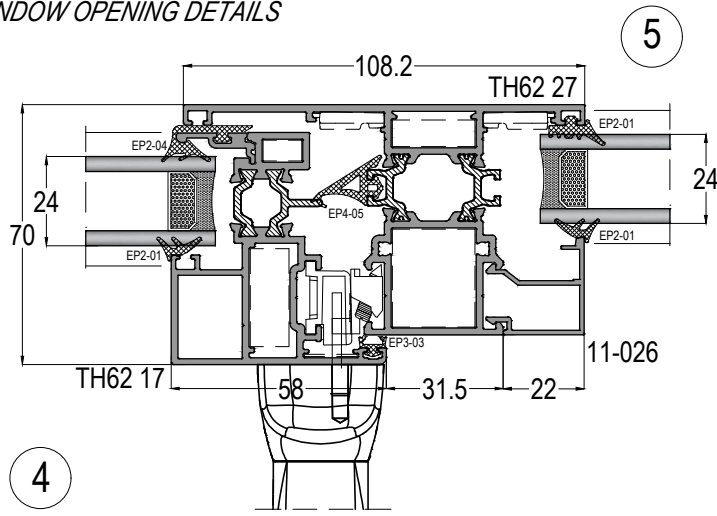


TH62-HV

YALITIMLI GİZLİ KANAT SİSTEMİ
THERMAL HIDDEN WINDOW SYSTEM

ASISTAL

PENCERE AÇILIM DETAYLARI
WINDOW OPENING DETAILS



ö: 1/2

Profil ağırlıklarımız teorik olup; teslim anındaki tartımız geçerlidir.
Profile weights are theoretical and the weight at the time of delivery is valid.

TH62-HV

YALITIMLI GİZLİ KANAT SİSTEMİ
THERMAL HIDDEN WINDOW SYSTEM

ASISTAL

KESİM ve MONTAJ
CUTTING & ASSEMBLY

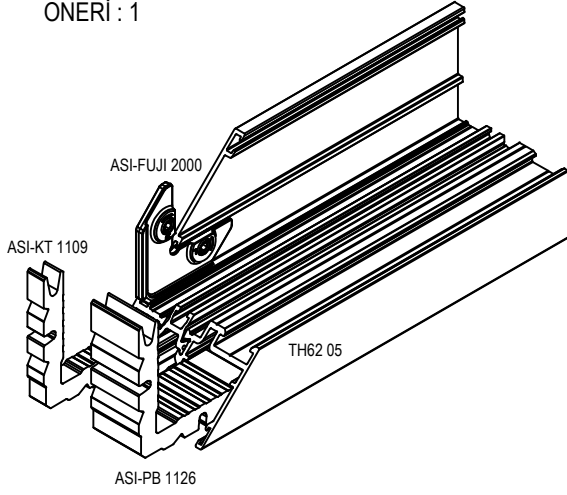
TH62-HV

YALITIMLI GİZLİ KANAT SİSTEMİ
THERMAL HIDDEN WINDOW SYSTEM

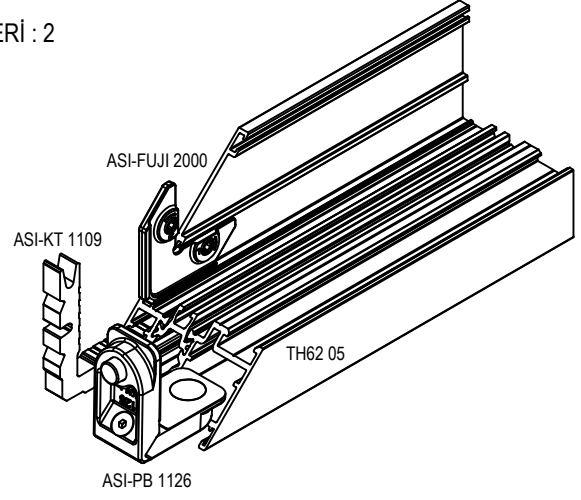


KÖŞE BAĞLANTI DETAYLARI CORNER JOINT DETAILS

ÖNERİ : 1

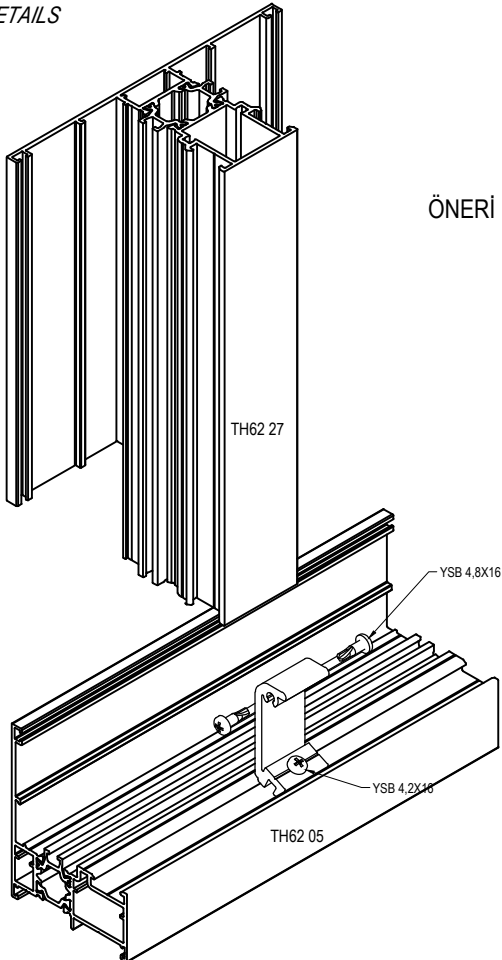


ÖNERİ : 2

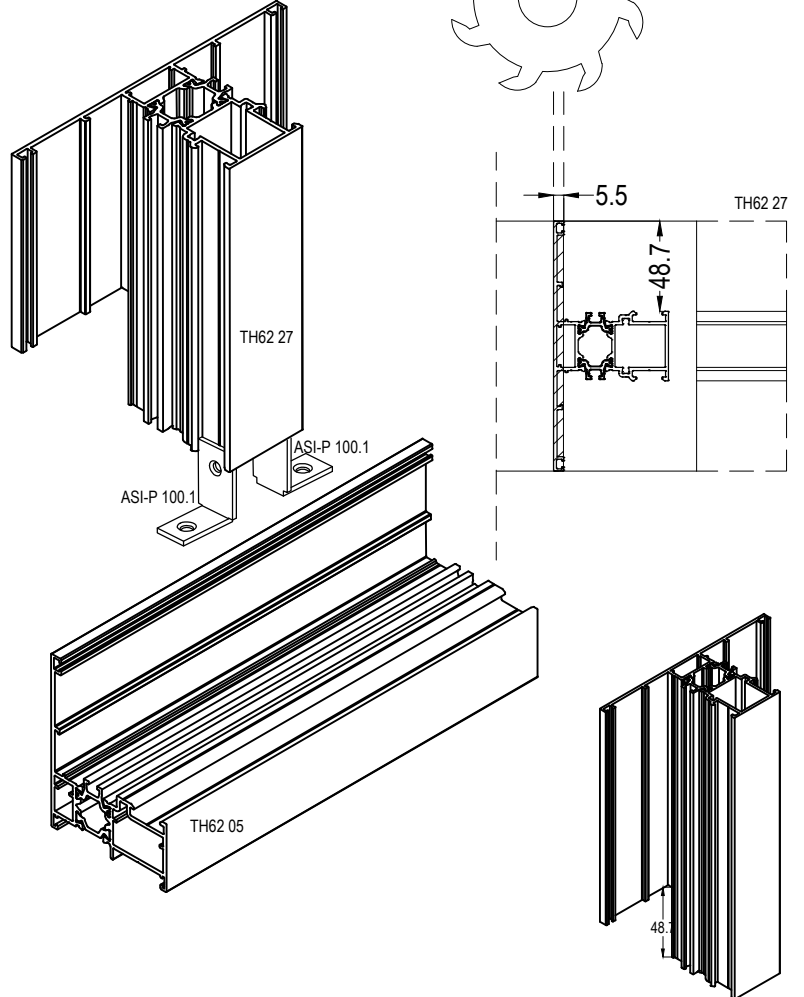


DİK (ORTA KAYIT) BAĞLANTI DETAYLARI T JOINT DETAILS

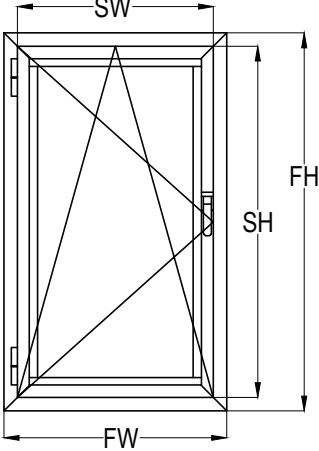
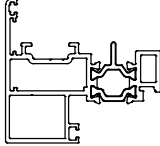
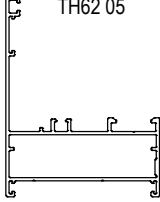
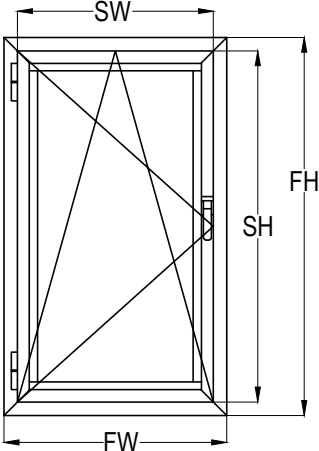
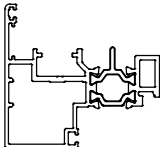
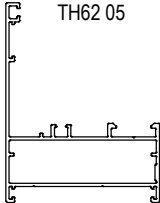
ÖNERİ : 1



ÖNERİ : 2



TEK KANAT PENCERE KESİM ÖLÇÜLERİ SINGLE SASH WINDOW CUTTING SIZES

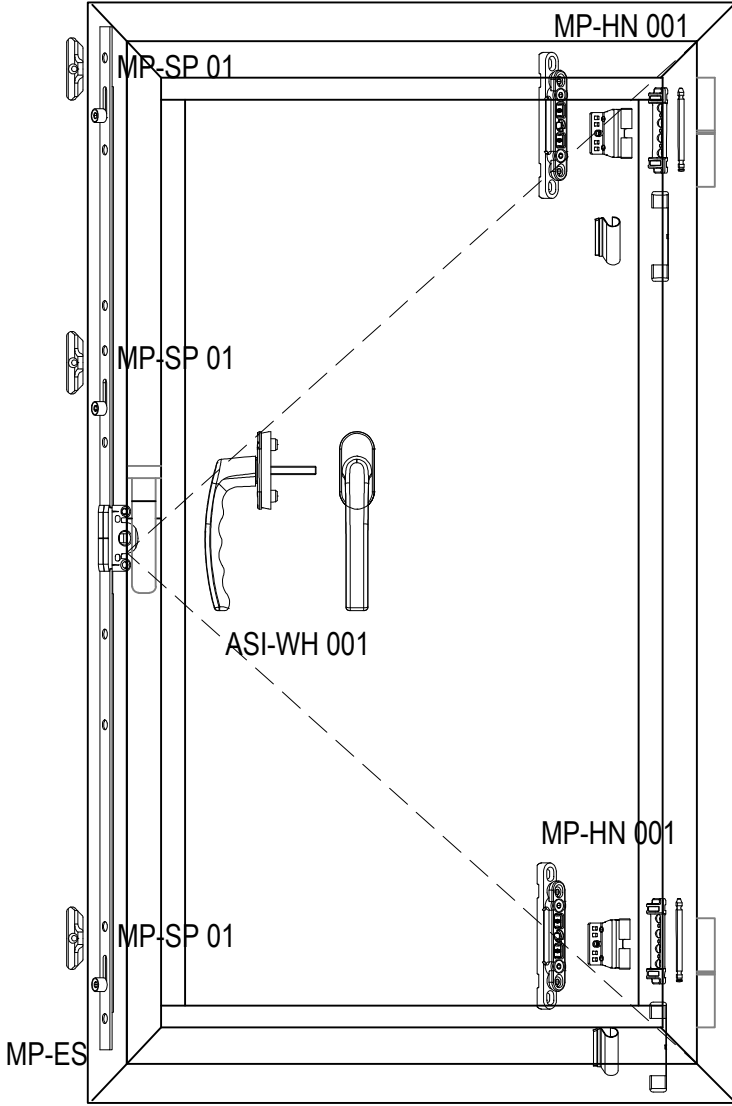
<p>EURO KANALLI KESİM CUTTING FOR EURO GROOVE</p> 	<p>KANAT PROFİLİ SEÇİMİ / CASEMENT PROFILE SELECTION</p> 	<p>TH62 17</p>	
		<p>KASA PROFİLİ SEÇİMİ / PRAME PROFILE SELECTION</p> 	
	<p>SW</p>	<p>FW - 51.8</p>	
	<p>SH</p>	<p>FH - 51.8</p>	
<p>PVC KANALLI KESİM CUTTING FOR MULTI-POINT</p> 	<p>KANAT PROFİLİ SEÇİMİ / CASEMENT PROFILE SELECTION</p> 	<p>TH62 20</p>	
		<p>KASA PROFİLİ SEÇİMİ / PRAME PROFILE SELECTION</p> 	
	<p>SW</p>	<p>FW - 51.8</p>	
	<p>SH</p>	<p>FH - 51.8</p>	

TH62-HV

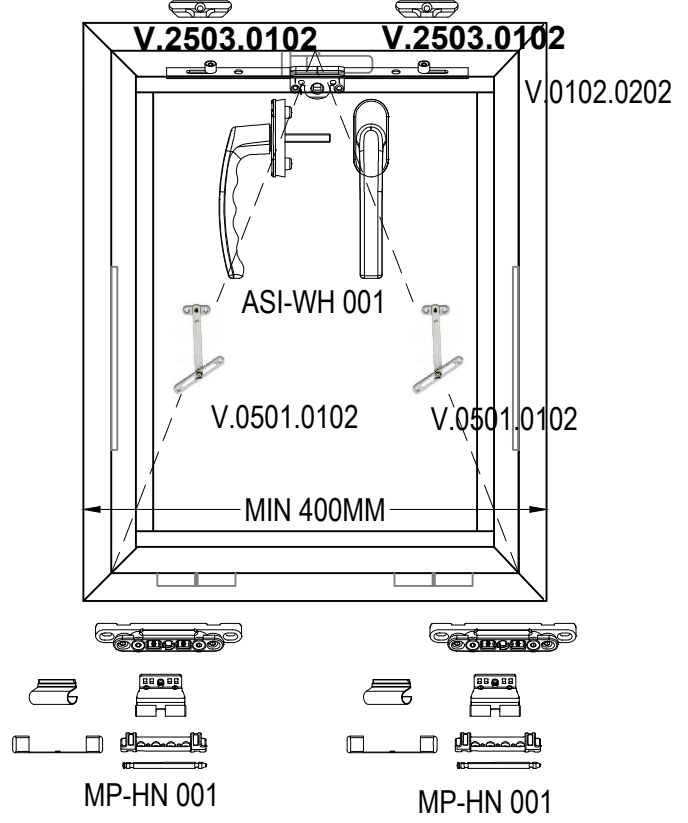
YALITIMLI GİZLİ KANAT SİSTEMİ
THERMAL HIDDEN WINDOW SYSTEM

ASISTAL

MULTI POINT SİSTEM (PVC KANALLI)
TEK EKSEN AÇILIM AKSESUARLARI
MULTI POINT SYSTEM SINGLE OPENING WINDOW ACCESSORIES



MULTI POINT SİSTEM (PVC KANALLI)
VAŞİSTAS AÇILIM AKSESUARLARI
MULTI POINT SYSTEM TOP HUNG WINDOW ACCESSORIES



MULTI POINT SİSTEM (PVC KANALLI)
ÇİFT EKSEN AÇILIM AKSESUAR TABLOSUALU - PVC TT
MULTI POINT SYSTEM TILT&TURN OPENING ACCESSORIES TABLE

MULTI POINT (PVC KANALLI) KİLİTLEME AKSESUAR SEÇİM TABLOSU MULTI POINT SYSTEM ACCESSORIES TABLE						
YÜKSEKLİK - HEIGHT	GENİŞLİK - WIDTH					
	400-650mm	600-850mm	850-1100mm	1100-1350mm	1350mm-1600mm	
450-700 mm	ASI-PVC TT 01	ASI-PVC TT 02	ASI-PVC TT 03	ASI-PVC TT 04		
700-1200 mm	ASI-PVC TT 05	ASI-PVC TT 06	ASI-PVC TT 07	ASI-PVC TT 08	ASI-PVC TT 09	
1200-1400 mm	ASI-PVC TT 10	ASI-PVC TT 11	ASI-PVC TT 12	ASI-PVC TT 013	ASI-PVC TT 14	
1400-1700 mm	ASI-PVC TT 15	ASI-PVC TT 16	ASI-PVC TT 017	ASI-PVC TT 18	ASI-PVC TT 19	
1700-2400 mm	ASI-PVC TT 20	ASI-PVC TT 21	ASI-PVC TT 22	ASI-PVC TT 23	ASI-PVC TT 24	

