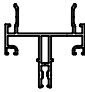

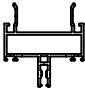

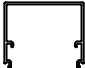












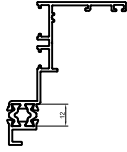
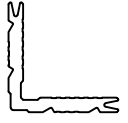
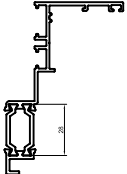
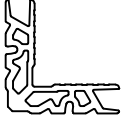
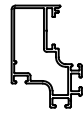
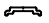
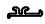
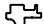
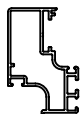
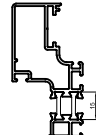

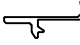
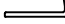



PROFİL VE AKSESUAR LİSTELERİ  
*PROFILES & ACCESSORIES LIST*








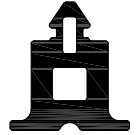


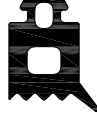





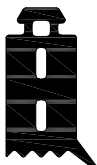



## PROFİL LİSTESİ - PROFILES LIST

FC65-011-20	Jx cm <sup>4</sup> 21,01	Jy cm <sup>4</sup> 12,85		FC50-132-14	
DÜŞEY PROFİL MULLION PROFILE	AĞIRLIK / Weight 1,472 kg/mt			VİDALI KAPAK PROFİLİ COVER PROFILE	
FC65-021-20	Jx cm <sup>4</sup> 18,32	Jy cm <sup>4</sup> 8,44		FC50-135-15	
YATAY PROFİL TRANZOM PROFILE	AĞIRLIK / Weight 1,589 kg/mt			KANAL KAPAK PROFİLİ COVER PROFILE	
FC65-031-18	Jx cm <sup>4</sup> 25,64	Jy cm <sup>4</sup> 11,24		FC50-033-09	
YATAY PROFİL TRANZOM PROFILE	AĞIRLIK / Weight 0,932 kg/mt			KANAL KAPAK PROFİLİ COVER PROFILE	
FC65-034-18	Jx cm <sup>4</sup> 58,00	Jy cm <sup>4</sup> 15,34		FC50-035-14	
YATAY PROFİL TRANZOM PROFILE	AĞIRLIK / Weight 1,810 kg/mt			BADEM KAPAK PROFİLİ COVER PROFILE	
FC50-131-15				FC50-138-15	
BASKI KAPAK PROFİLİ COVER BOTTOM PROFILE	AĞIRLIK / Weight 0,392 kg/mt			KUTU KAPAK PROFİLİ BOX COVER PROFILE	
FC50-037-14				FC50-140-15	
KAPAK PROFİLİ-14mm COVER PROFILE	AĞIRLIK / Weight 0,296 kg/mt			KUTU KAPAK PROFİLİ BOX COVER PROFILE	
FC50-032-14					
KAPAK PROFİLİ-16mm COVER PROFILE	AĞIRLIK / Weight 0,314 kg/mt				
FC50-031-14					
KAPAK PROFİLİ-17mm COVER PROFILE	AĞIRLIK / Weight 0,315 kg/mt				
FC50-038-14					
YATAY KAPAK PROFİLİ COVER PROFILE	AĞIRLIK / Weight 0,284 kg/mt				

## PROFİL LİSTESİ - PROFILES LIST


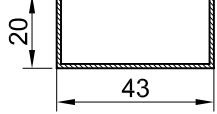
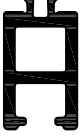
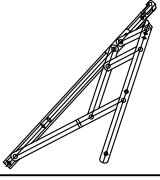
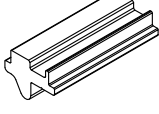
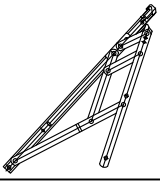
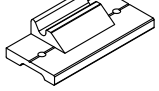
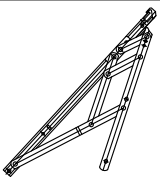
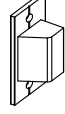
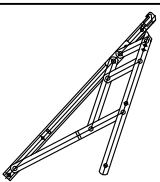
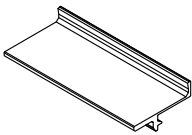
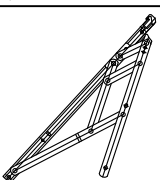
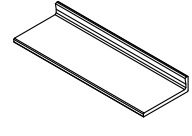
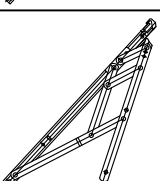
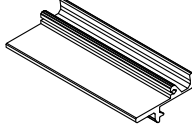
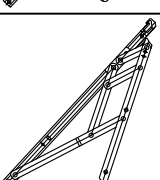
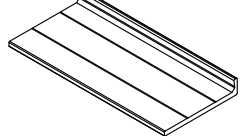

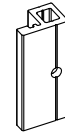

FC50-221-15			FC10-080-00		
DIŞA AÇILIR KANAT KASA PROFİLİ-AS2 FRAME PROFILE	AĞIRLIK / Weight 1,085 kg/mt		KÖŞE TAKOZU - 8mm PRESS CORNER PROFILE	AĞIRLIK / Weight 1,085 kg/mt	
FC50-221-16			FC10-158-00		
DIŞA AÇILIR KANAT KASA PROFİLİ-AS2 FRAME PROFILE	AĞIRLIK / Weight 1,165 kg/mt		KÖŞE TAKOZU - 15,8mm PRESS CORNER PROFILE	AĞIRLIK / Weight 2,566 kg/mt	
FC50-021-15			FC12-195-20		
CAM KASET PROFİLİ GLAZING FRAME PROFILE	AĞIRLIK / Weight 0,841kg/mt		TİJ PROFİLİ ROD PROFILE	AĞIRLIK / Weight 0,120 kg/mt	
FC12-187-12		 siyah mat eloksall	FC12-191-42		
CAM KASET BONDİNG PROFİLİ GLAZING FRAME BONDING PROFILE	AĞIRLIK / Weight 0,109 kg/mt		KASET DESTEK PROFİLİ SASH SUPPORT	AĞIRLIK / Weight 0,355 kg/mt	
FC50-022-15					
CAM KASET PROFİLİ GLAZING FRAME PROFILE	AĞIRLIK / Weight 0,874 kg/mt				
FC50-123-18					
YALITIMLI CAM KASET PROFİLİ INSULATED GLAZING FRAME PROFILE	AĞIRLIK / Weight 1,211 kg/mt				
FC10-170-04					
TESPİT PROFİLİ FIXATION PROFILE	AĞIRLIK / Weight 0,373 kg/mt				
FC12-043-14					
CAM TAKOZU GLASS SUPPORT	AĞIRLIK / Weight 0,373 kg/mt				
FC12-344-25					
TESPİT PROFİLİ FIXATION PROFILE	AĞIRLIK / Weight 0,270 kg/mt				
FC12-117-12					
TESPİT PROFİLİ FIXATION PROFILE	AĞIRLIK / Weight 0,133 kg/mt				

## AKSESUAR LİSTESİ - ACCESSORIES LIST





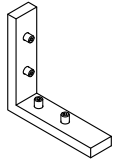
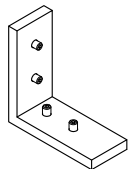
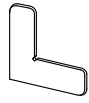

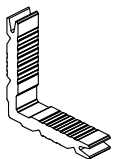
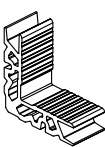
CE1-01			KC 02		
İÇ CAM FİTİLİ - 3 mm INNER GLAZING GASKET	KOLİ MİKTARI/Package 260 mt / 15 kg		KAMA CAM FİTİLİ - 2mm INNER GLAZING GASKET	KOLİ MİKTARI/Package 100 mt / 4,5 kg	
CE1-06			CE2-01		
İÇ CAM FİTİLİ - 3,5 mm INNER GLAZING GASKET	KOLİ MİKTARI/Package 250 mt / 15 kg		ORTA BASKI FİTİLİ-5,2mm CENTRAL EPDM GASKET	KOLİ MİKTARI/Package 150 mt / 15 kg	
CE1-02			CE2-04		
İÇ CAM FİTİLİ - 4,9 mm INNER GLAZING GASKET	KOLİ MİKTARI/Package 140 mt / 15 kg		ORTA BASKI FİTİLİ-11mm CENTRAL EPDM GASKET	KOLİ MİKTARI/Package 95 mt / 15 kg	
CE1-05			CE2-02		
İÇ CAM FİTİLİ - 7,1 mm INNER GLAZING GASKET	KOLİ MİKTARI/Package 160 mt / 15 kg		ORTA BASKI FİTİLİ-12mm CENTRAL EPDM GASKET	KOLİ MİKTARI/Package 90 mt / 15 kg	
CE1-03			CE2-05		
İÇ CAM FİTİLİ - 9,1 mm INNER GLAZING GASKET	KOLİ MİKTARI/Package 125 mt / 15 kg		ORTA BASKI FİTİLİ-15mm CENTRAL EPDM GASKET	KOLİ MİKTARI/Package 15 kg	
CE1-09			CE2-03		
İÇ CAM FİTİLİ - 10,6 mm INNER GLAZING GASKET	KOLİ MİKTARI/Package -		ORTA CAM FİTİLİ YARI KAPAKLI CEPHE CENTRAL EPDM GASKET	KOLİ MİKTARI/Package 63 mt / 15 kg	
CE1-07			CE3-01		
İÇ CAM FİTİLİ - 12,7 mm INNER GLAZING GASKET	KOLİ MİKTARI/Package 107 mt / 15 kg		BİNI FİTİLİ EPDM GASKET	KOLİ MİKTARI/Package 290 mt / 15 kg	
CE1-08			EP3-03		
İÇ CAM FİTİLİ - 14,7 mm INNER GLAZING GASKET	KOLİ MİKTARI/Package		KANAT BİNI FİTİLİ SASH GASKET	KOLİ MİKTARI/Package 430 mt / 15 kg	
CE1-04			CE5-01		
İÇ CAM FİTİLİ - 16,6 mm INNER GLAZING GASKET	KOLİ MİKTARI/Package 70 mt / 15 kg		KASET DERZ FİTİLİ SASH GASKET	KOLİ MİKTARI/Package 180 mt / 15 kg	
CE4-01			CE5-02		
DIŞ CAM FİTİLİ - 3 mm (BASKI KAPAK FİTİLİ) OUTER GLAZING GASKET	KOLİ MİKTARI/Package 210 mt / 15 kg		KASET DERZ FİTİLİ SASH GASKET	KOLİ MİKTARI/Package 15 kg	

\* Sipariş öncesi kalıp bilgisi kontrol edilmeli / must be check profile production before the order

SC:1/2

PF50-M01			ASI-NPP 06		
ORTA PVC BASKI - 8,5mm PVC PROFILE	KOLİ MİKTARI/Package 6 mt / Adet / Piece		YALITIM PVC U PROFİLİ PVC U PROFILE	KOLİ MİKTARI/Package 6 mt / Adet / Piece	
PF50-M02			FC50-CWA 16		
ORTA PVC BASKI -16mm PVC PROFILE	KOLİ MİKTARI/Package 6 mt / Adet / Piece		KANAT MAKASI h:265-635mm / 37 - 40kg FACADE RESTRICTOR	KOLİ MİKTARI/Package Adet / Piece	
SG40-19142			FC50-CWA 18		
SİLİKON CEPHE KASET DESTEK - ÜST ALM. SASH SUPPORT - TOP	KOLİ MİKTARI/Package Adet / Piece		KANAT MAKASI h:635-785mm / 45 - 50kg FACADE RESTRICTOR	KOLİ MİKTARI/Package Adet / Piece	
PF50-19142			FC50-CWA 20		
SİLİKON CEPHE KASET DESTEK - ALT PVC SASH SUPPORT-BOTTOM	KOLİ MİKTARI/Package Adet / Piece		KANAT MAKASI h:785-1090mm / 55 - 65kg FACADE RESTRICTOR	KOLİ MİKTARI/Package Adet / Piece	
PF50-060			FC50-CWA 22		
SİLİKON CEPHE KASET YAN DESTEK - PVC SASH SUPPORT- SIDE	KOLİ MİKTARI/Package Adet / Piece		KANAT MAKASI h:1090-1500mm/75-100kg FACADE RESTRICTOR	KOLİ MİKTARI/Package Adet / Piece	
SG100-04314			FC50-CWA 24		
CAM TAKOZU GLASS SUPPORT	KOLİ MİKTARI/Package Adet / Piece		KANAT MAKASI h:1500-2000mm / 100 kg FACADE RESTRICTOR	KOLİ MİKTARI/Package Adet / Piece	
SG100-34425			FC50-CWA 26		
CAM TAKOZU GLASS SUPPORT	KOLİ MİKTARI/Package Adet / Piece		KANAT MAKASI h:2000-2500mm / 180 kg FACADE RESTRICTOR	KOLİ MİKTARI/Package Adet / Piece	
SG100-43814			FC50-CWA 28		
CAM TAKOZU GLASS SUPPORT	KOLİ MİKTARI/Package Adet / Piece		KANAT MAKASI L=>2H / 100 kg FACADE RESTRICTOR	KOLİ MİKTARI/Package Adet / Piece	
SG100-52025			FC50-LA 01		
CAM TAKOZU GLASS SUPPORT	KOLİ MİKTARI/Package Adet / Piece		KANAT LİMİTLEME KOLU LIMITATION ARM	KOLİ MİKTARI/Package Adet / Piece	
FX40-12003			FC50-WH 01		
TESPİT MONTAJ PARÇASI FIXING ACCESSORIES	KOLİ MİKTARI/Package Adet / Piece		KIVIRIK PENCERE KOLU WINDOW HANDLE	KOLİ MİKTARI/Package Adet / Piece	

## AKSESUAR LİSTESİ - ACCESSORIES LIST

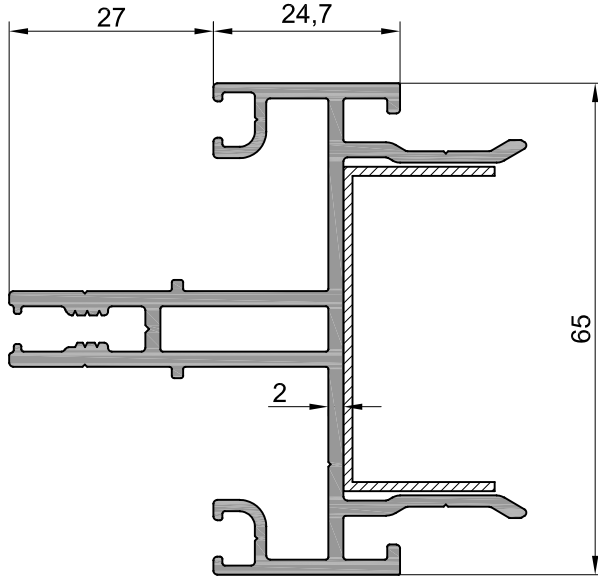
FC50-WH A01				
KOL İLETİŞİM PARÇASI WINDOW HANDLE CONNECTOR	KOLİ MİKTARI/Package Adet / Piece			
ASI-RP 001				
AYARLI TİJ PİMİ ADJUSTABLE LOCKING PAWL	KOLİ MİKTARI/Package Adet / Piece			
ASI-RS 002				
PİM KARŞILIĞI ROD PAWL STRIKE	KOLİ MİKTARI/Package Adet / Piece			
FC50-CD 01				
KÖŞE İLETİŞİM PARÇASI CORNER DRIVE	KOLİ MİKTARI/Package Adet / Piece			
ASI-PB 0410				
KASA KÖŞE BAĞLANTI CORNER JOINT	KOLİ MİKTARI/Package Adet / Piece			
ASI-PB 0417				
KASA KÖŞE BAĞLANTI CORNER JOINT	KOLİ MİKTARI/Package Adet / Piece			
ASI-SB 19.1				
KÖŞE GÖNYESİ CORNER ALIGNMENT	KOLİ MİKTARI/Package Adet / Piece			
ASI-FUJI 2000				
AYARLI KÖŞE GÖNYESİ CORNER ALIGNMENT	KOLİ MİKTARI/Package Adet / Piece			
ASI-KT 0815				
KÖŞE BAĞLANTI CORNER JOINT	KOLİ MİKTARI/Package Adet / Piece			
ASI-KT 1628				
KÖŞE BAĞLANTI CORNER JOINT	KOLİ MİKTARI/Package Adet / Piece			



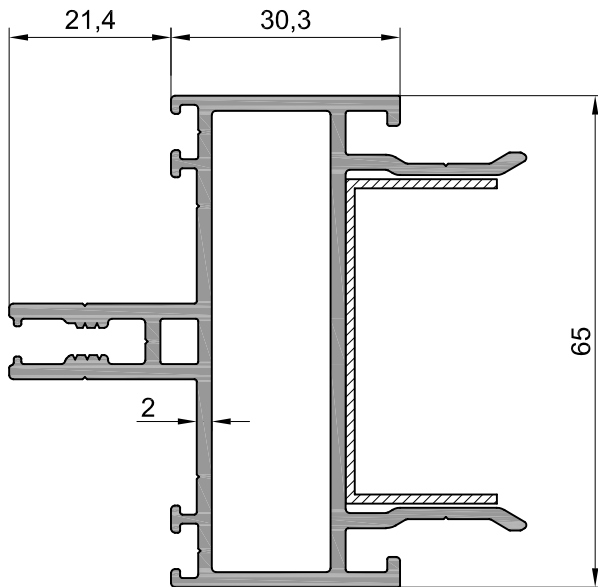
PROFİL DETAYLARI  
*PROFILE DETAILS*

## FC65

ÇELİK TAKVİYELİ CEPHE SİSTEMİ  
STEEL SUPPORTED FACADE SYSTEM



FC65-011-20	Jx cm <sup>4</sup>	Jy cm <sup>4</sup>
	21,01	12,85
	AĞIRLIK / Weight	
	1,472 kg/mt	

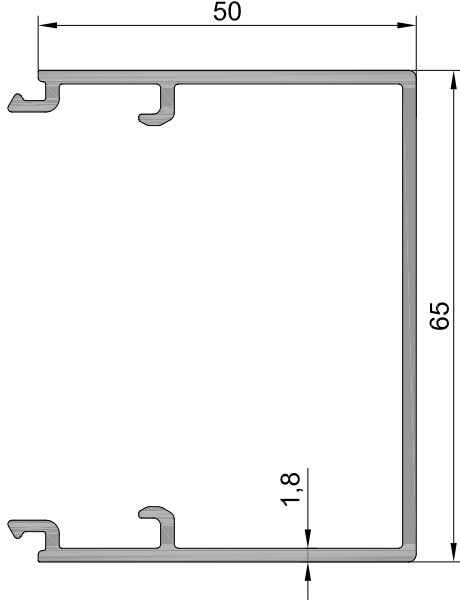


FC65-021-20	Jx cm <sup>4</sup>	Jy cm <sup>4</sup>
	18,32	8,44
	AĞIRLIK / Weight	
	1,589 kg/mt	

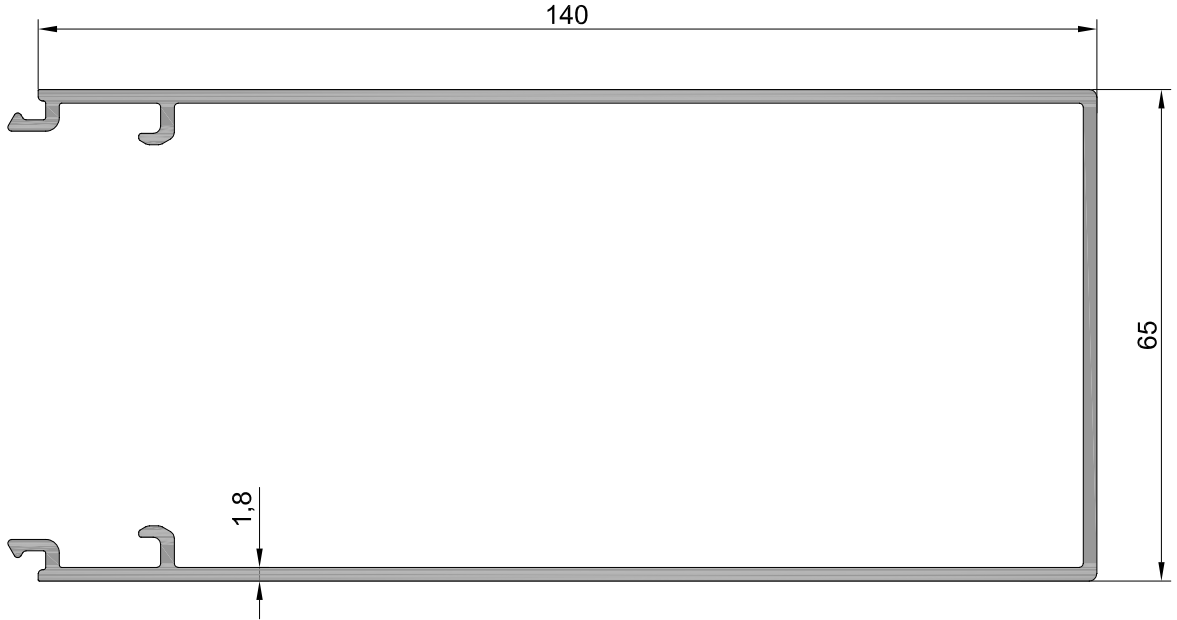


## FC65

ÇELİK TAKVİYELİ CEPHE SİSTEMİ  
STEEL SUPPORTED FACADE SYSTEM



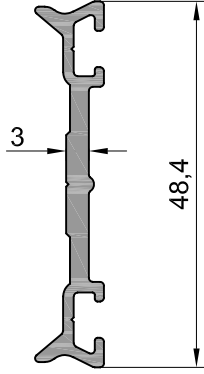
FC65-031-18	Jx cm <sup>4</sup>	Jy cm <sup>4</sup>
	25,64	11,24
	AĞIRLIK / Weight	
	0,932 kg/mt	



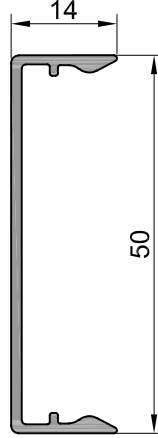
FC65-034-18	Jx cm <sup>4</sup>	Jy cm <sup>4</sup>
	58,00	15,34
	AĞIRLIK / Weight	
	1,810 kg/mt	

## FC65

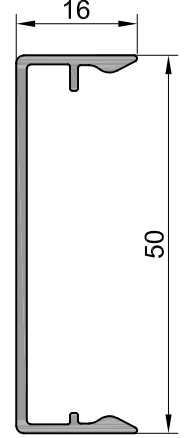
ÇELİK TAKVİYELİ CEPHE SİSTEMİ  
STEEL SUPPORTED FACADE SYSTEM



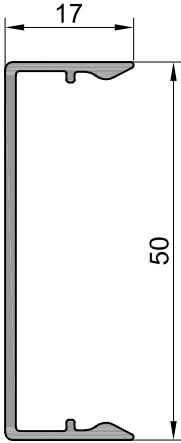
<b>FC50-131-15</b>
AĞIRLIK / Weight
0,392 kg/mt



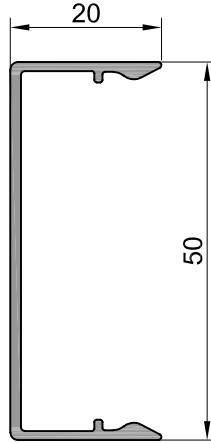
<b>FC50-037-14</b>
AĞIRLIK / Weight
0,296 kg/mt



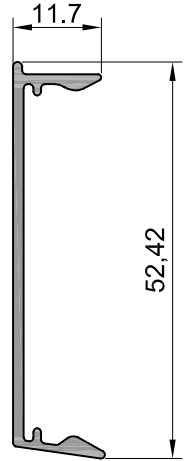
<b>FC50-032-14</b>
AĞIRLIK / Weight
0,314 kg/mt



<b>FC50-031-14</b>
AĞIRLIK / Weight
0,315 kg/mt



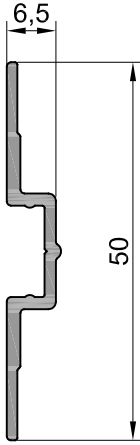
<b>FC50-036-14</b>
AĞIRLIK / Weight
0,335 kg/mt



<b>FC50-038-14</b>
AĞIRLIK / Weight
0,284 kg/mt

## FC65

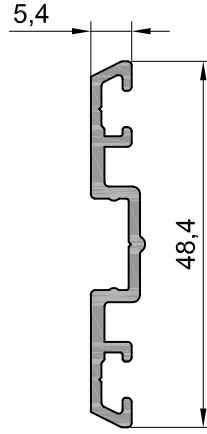
ÇELİK TAKVİYELİ CEPHE SİSTEMİ  
STEEL SUPPORTED FACADE SYSTEM



**FC50-132-14**

AĞIRLIK / Weight

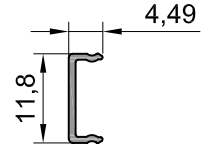
0,284 kg/mt



**FC50-135-15**

AĞIRLIK / Weight

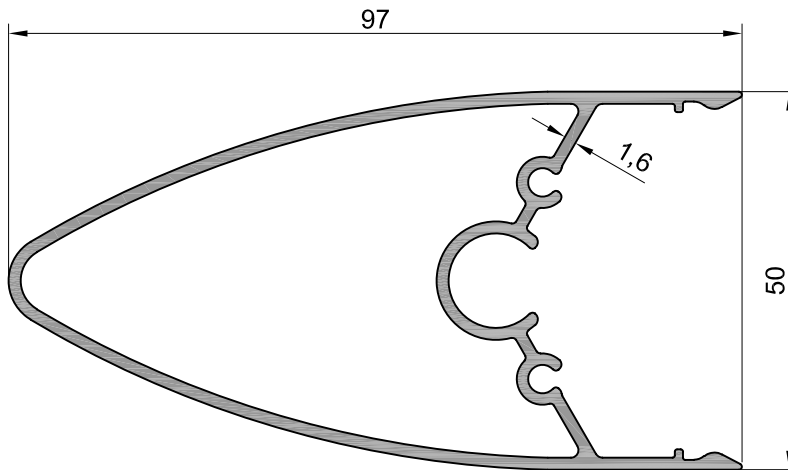
0,322 kg/mt



**FC50-033-09**

AĞIRLIK / Weight

0,043 kg/mt



**FC50-035-14**

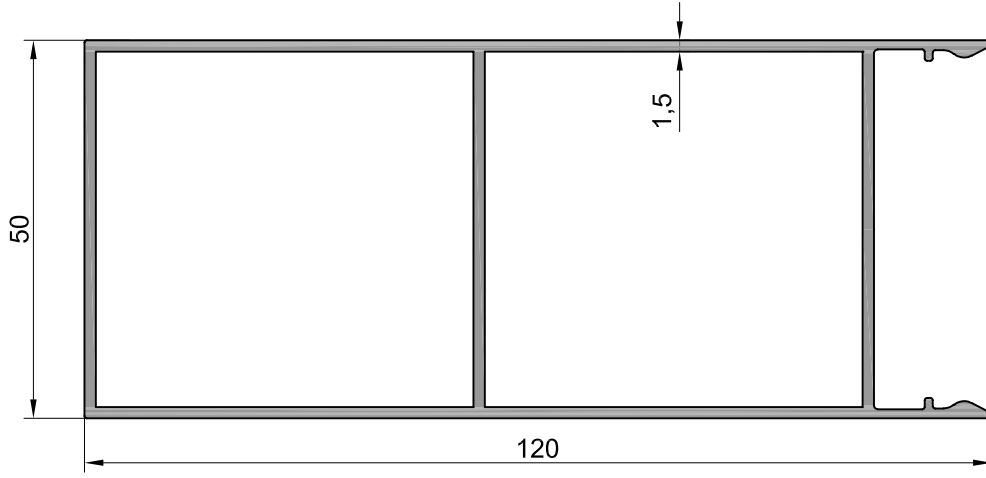
AĞIRLIK / Weight

1,263 kg/mt

**FC65**

ÇELİK TAKVİYELİ CEPHE SİSTEMİ  
STEEL SUPPORTED FACADE SYSTEM

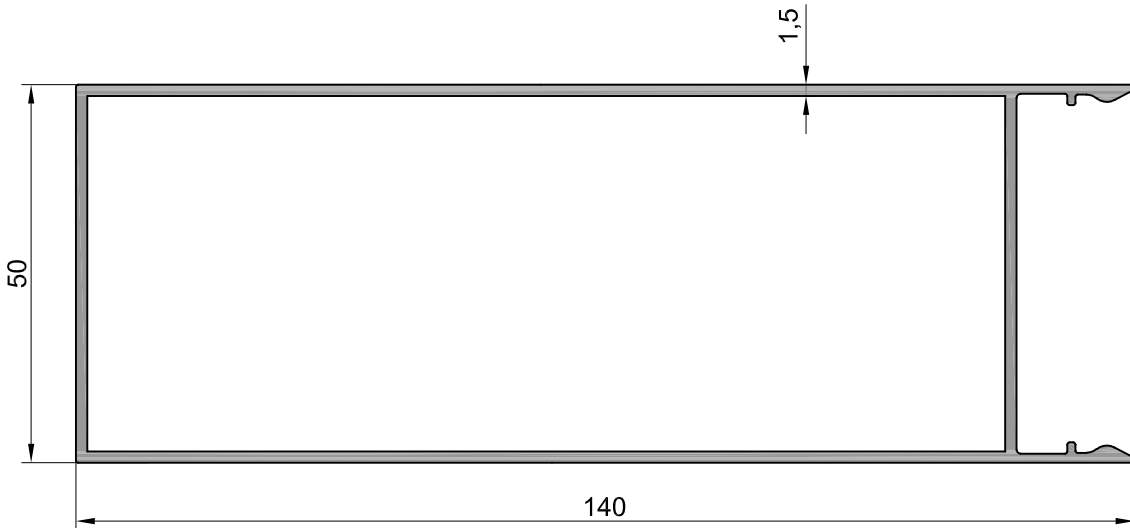
**ASISTAL**



**FC50-138-15**

AĞIRLIK / Weight

1,547 kg/mt



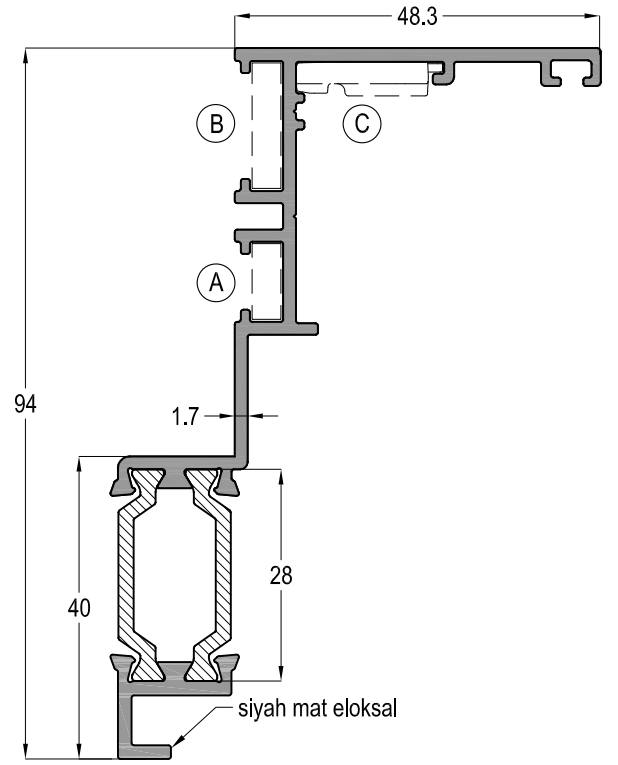
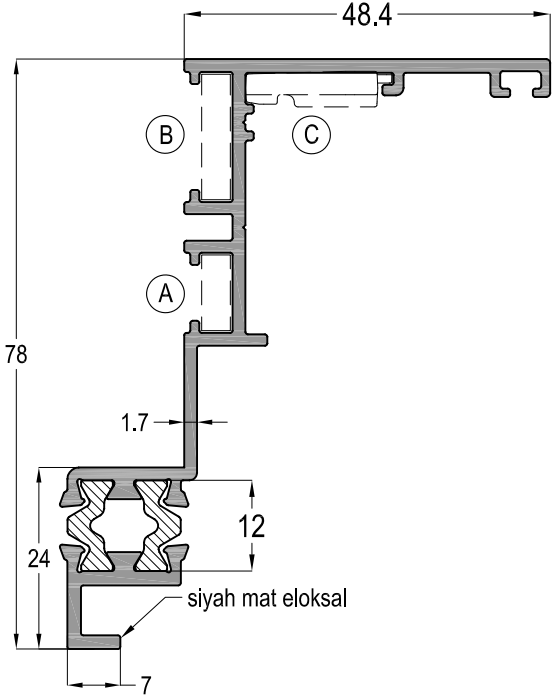
**FC50-140-15**

AĞIRLIK / Weight

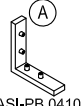
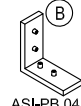
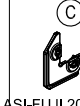
FC50-140-15

# FC65

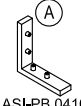
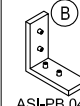

ÇELİK TAKVİYELİ CEPHE SİSTEMİ  
STEEL SUPPORTED FACADE SYSTEM

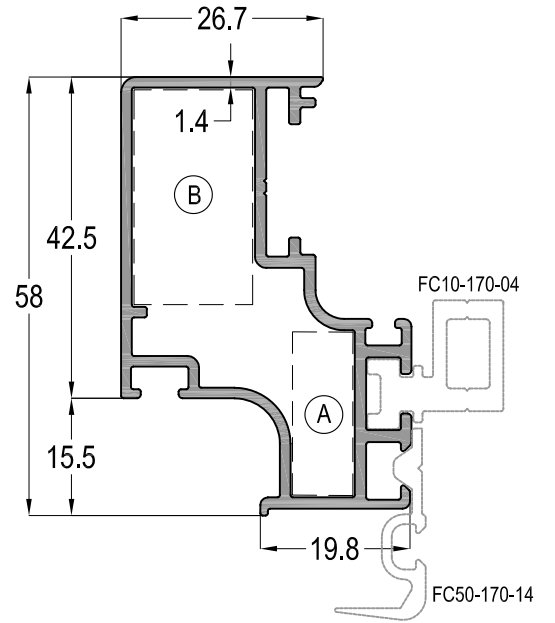
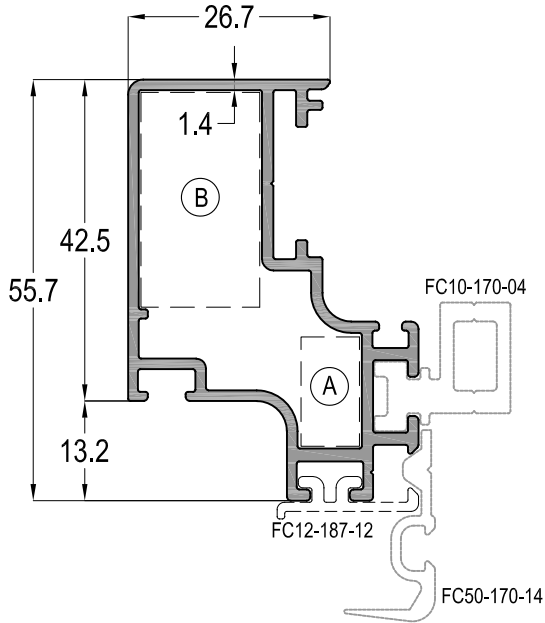


## FC50-221-15

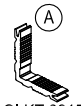
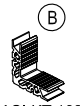
 ASI-PB 0410	 ASI-PB 0417	 ASI-FUJI 2000	AĞIRLIK / Weight 1,085 kg/mt
--	--	--	---------------------------------

## FC50-221-16

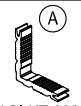
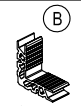
 ASI-PB 0410	 ASI-PB 0417	 ASI-FUJI 2000	AĞIRLIK / Weight 1,165 kg/mt
--	--	--	---------------------------------



## FC50-021-15

 ASI-KT 0815	 ASI-KT 1628	AĞIRLIK / Weight 0,841 kg/mt
--	--	---------------------------------

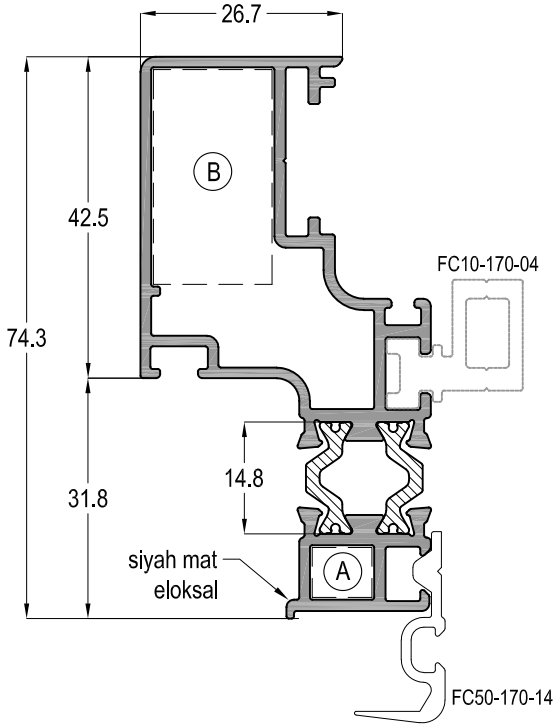
## FC50-022-15 (Sadece Mat Elokçal)

 ASI-KT 0822	 ASI-KT 1628	AĞIRLIK / Weight 0,874 kg/mt
---	--	---------------------------------

Profil ağırlıklarımız teorik olup; teslim anındaki tartımız geçerlidir.

## FC65

ÇELİK TAKVİYELİ CEPHE SİSTEMİ  
STEEL SUPPORTED FACADE SYSTEM



FC50-123-17



ASI-KT 0807



ASI-KT 1628

AĞIRLIK / Weight

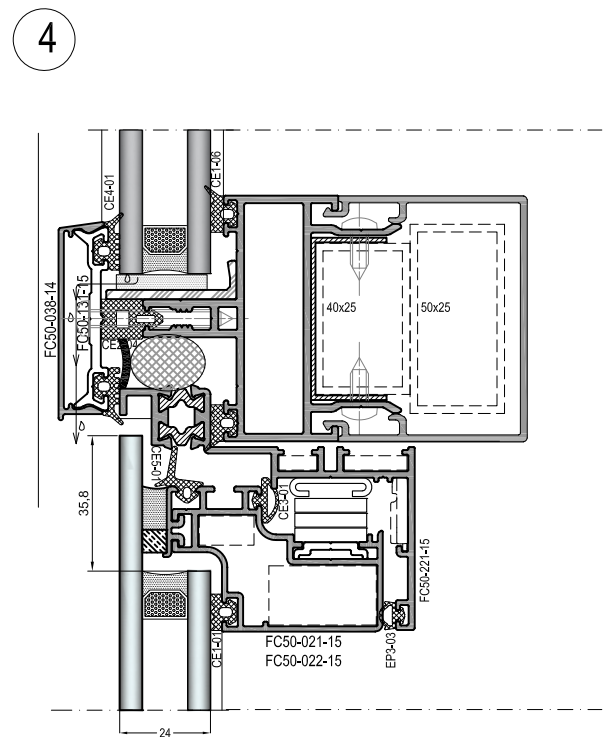
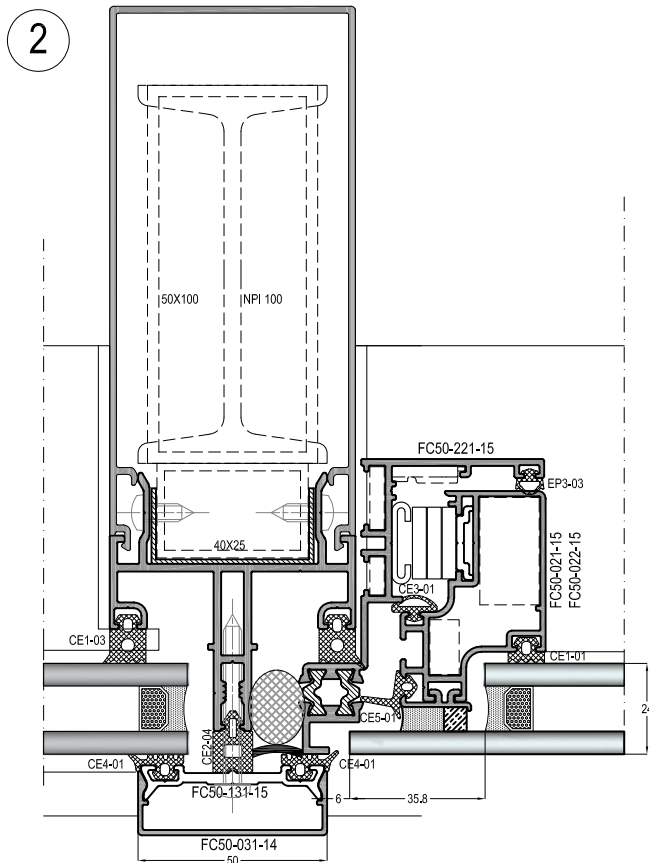
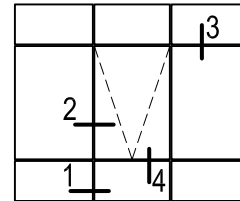
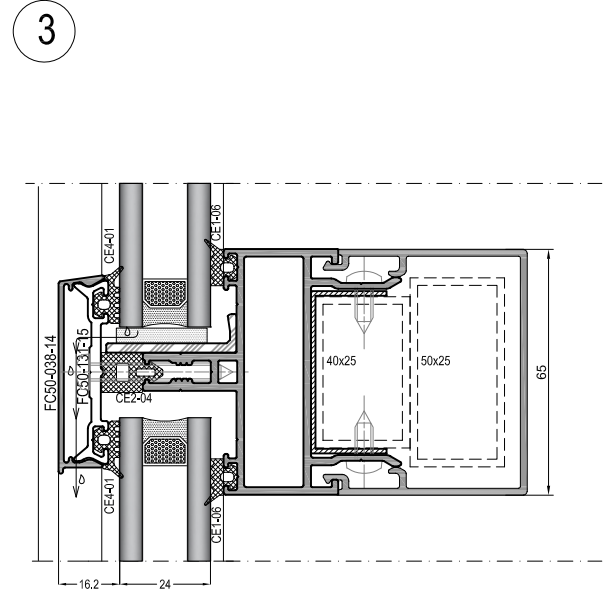
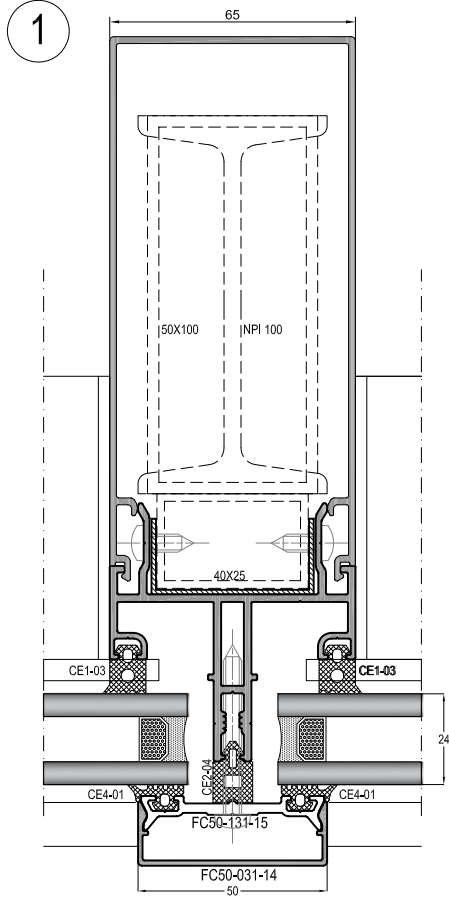
1,209 kg/mt

- KAPAKLI CEPHE DETAYLARI

-CARPED CURTAIN WALL SYSTEM DETAILS

# FC65

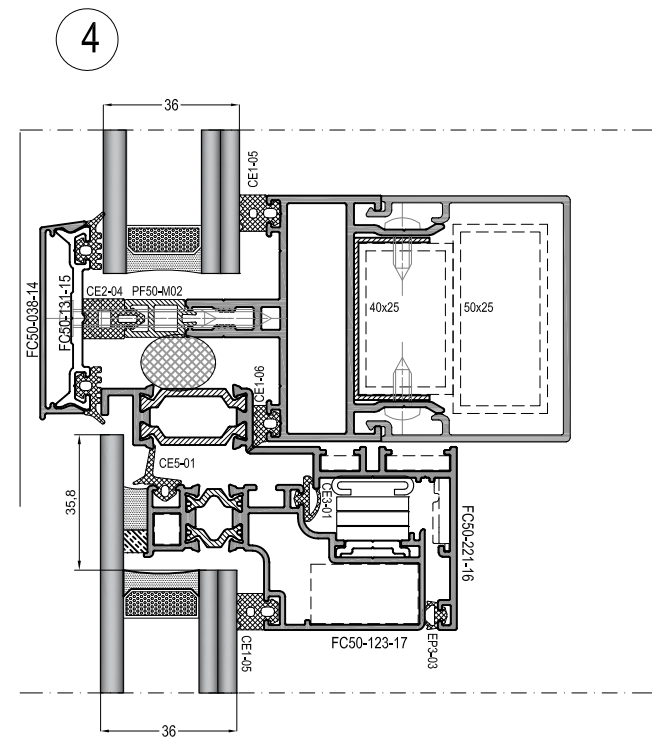
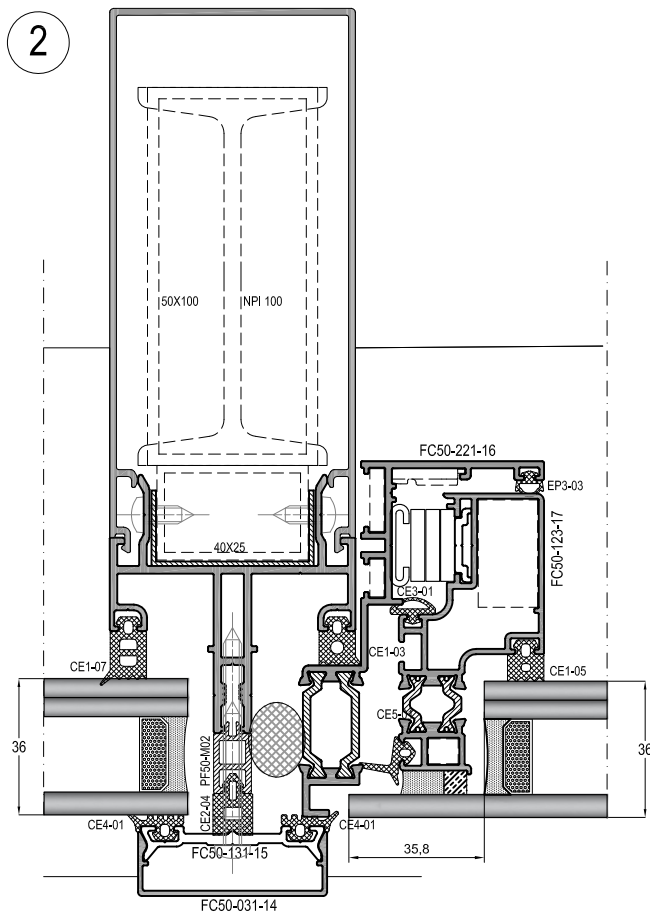
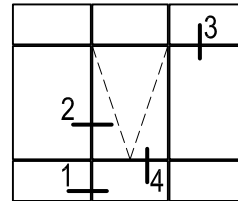
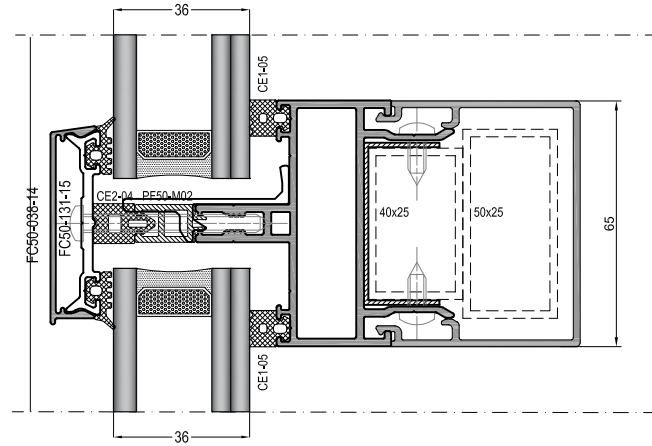
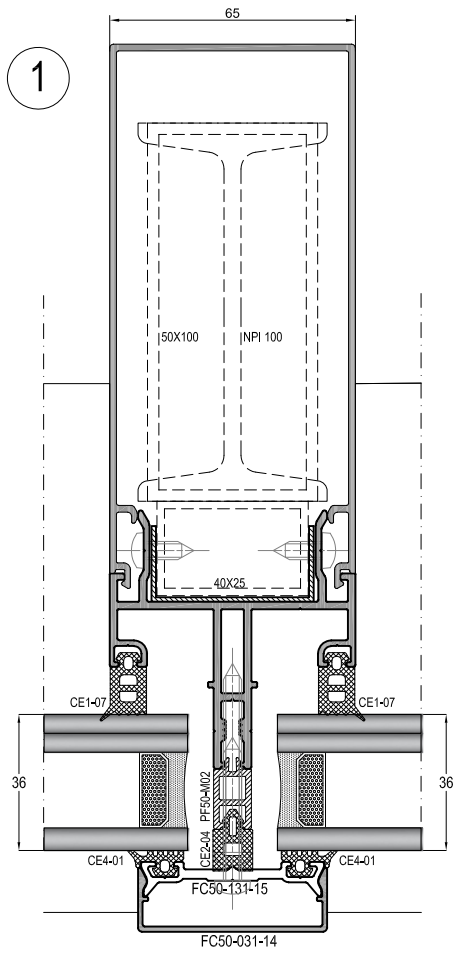
ÇELİK TAKVİYELİ CEPHE SİSTEMİ  
STEEL SUPPRTED FACADE SYSTEM

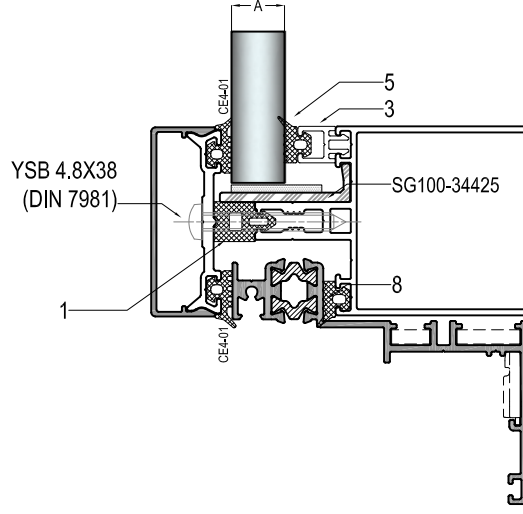
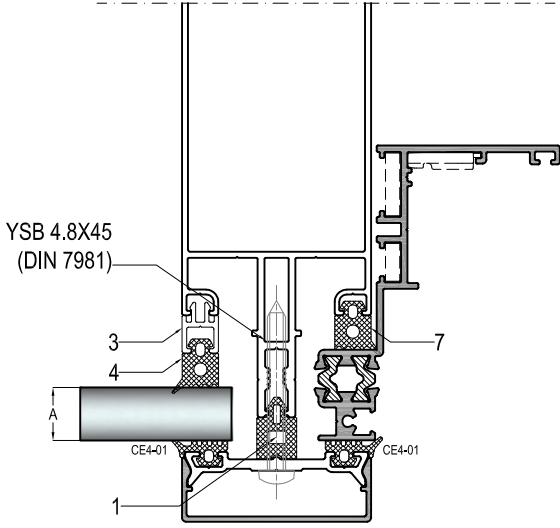




# FC65

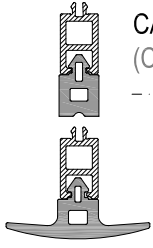
ÇELİK TAKVİYELİ CEPHE SİSTEMİ  
STEEL SUPPRTED FACADE SYSTEM



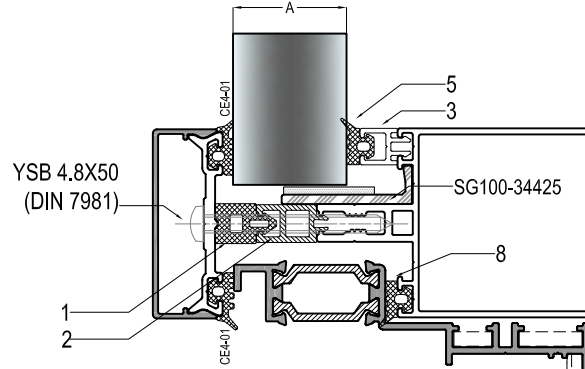
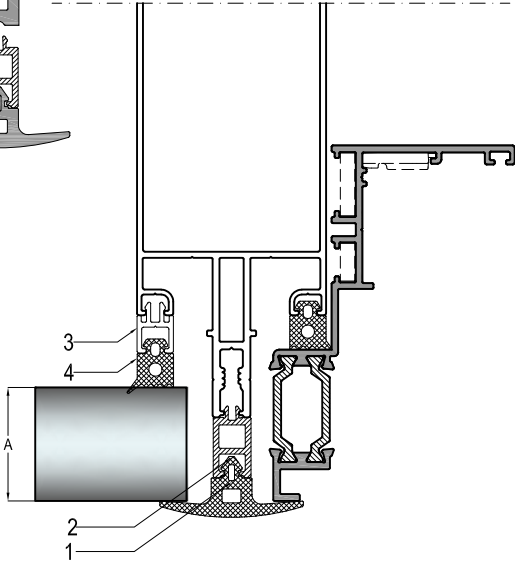
CAM TABLOSU / GLAZING BEAD  
(CE2-04)

## KASA PROFİLİ / FRAME PROFILE


A	1	2	3	4	5	KOD /CODE	6	7	8
CAM KALINLIĞI GLAZING THICKNESS	ORTA BASKI FİTİLİ CENTER PRESSURE GASKET	PVC ADAPTÖR PVC ADAPTER	UZATMA PROFİLİ EXTENSION PROFILE	DÜŞEY FİTİL VERTICAL GASKET	YATAY FİTİL HORIZONTAL GASKET		UZATMA PROFİLİ EXTENSION PROFILE	DÜŞEY FİTİL VERTICAL GASKET	YATAY FİTİL HORIZONTAL GASKET
6 mm	CE2-04	-	FC12-117-12	CE1-04	CE1-09	FC50-221-15	-	CE1-03	CE1-06
8 mm	CE2-04	-	FC12-117-12	CE1-08	CE1-03				
10 mm	CE2-04	-	FC12-117-12	CE1-07	CE1-05				
12 mm	CE2-04	-	FC12-117-12	CE1-09	CE1-02				
14 mm	CE2-04	-	FC12-117-12	CE1-03	CE1-06				
16 mm	CE2-04	-	-	CE1-04	CE1-09				
18 mm	CE2-04	-	-	CE1-08	CE1-03				
20 mm	CE2-04	-	-	CE1-07	CE1-05				
22 mm	CE2-04	-	-	CE1-09	CE1-02				
24 mm	CE2-04	-	-	CE1-03	CE1-06				



CAM TABLOSU / GLAZING BEAD  
(CE2-03+PF50-M02)/(CE2-04+PF50-M02)

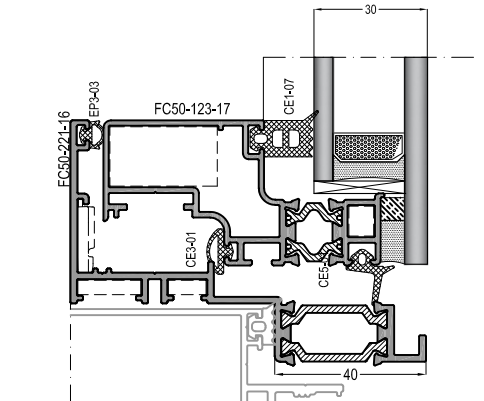
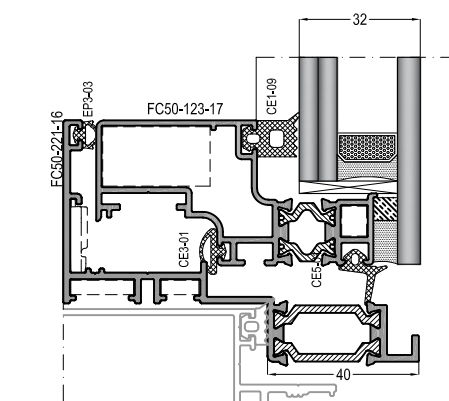
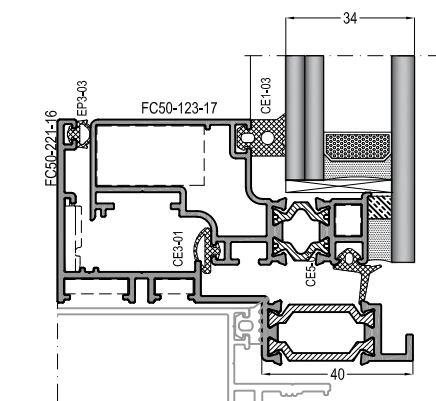
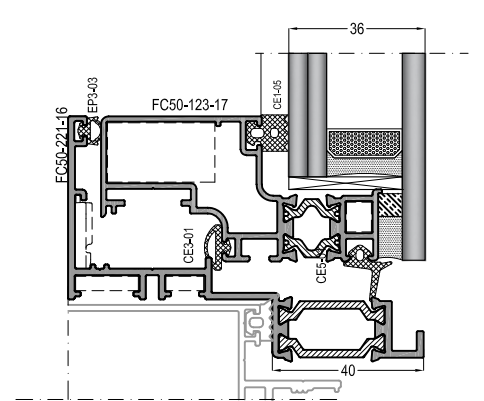
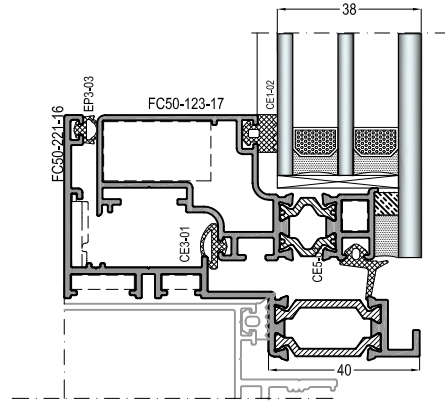
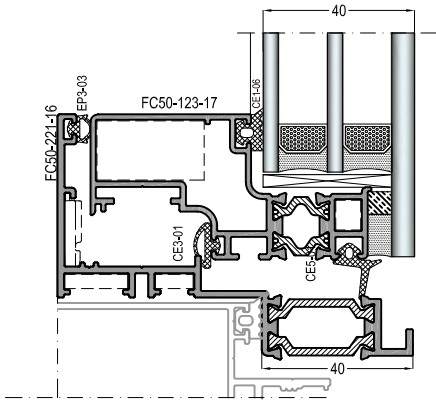
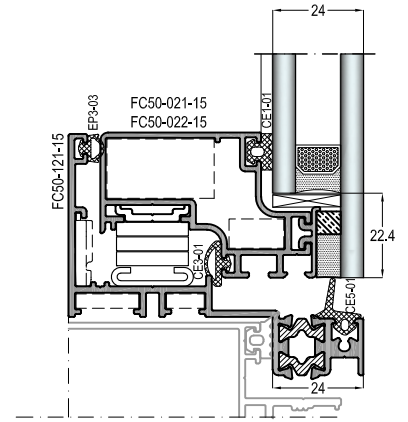
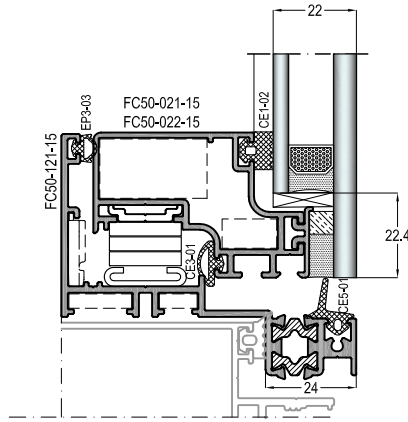
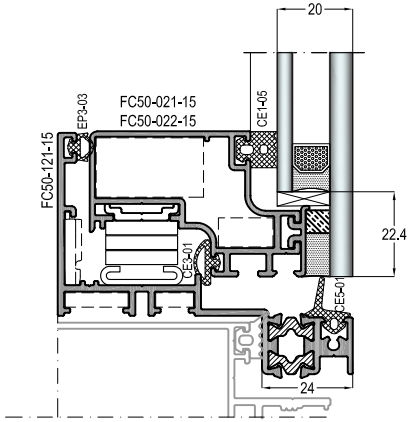


KASA PROFİLİ / FRAME PROFILE

A	1	2	3	4	5	KOD / CODE	6	7	8
CAM KALINLIĞI GLAZING THICKNESS	ORTA BASKI FİTİLİ CENTER PRESSURE GASKET	PVC ADAPTÖR PVC ADAPTER	UZATMA PROFİLİ EXTENSION PROFILE	DÜŞEY FİTİL VERTICAL GASKET	YATAY FİTİL HORIZONTAL GASKET		UZATMA PROFİLİ EXTENSION PROFILE	DÜŞEY FİTİL VERTICAL GASKET	YATAY FİTİL HORIZONTAL GASKET
24	(CE2-04-PF50-M02)/ (CE2-03-PF50-M02)	PF50-M02	FC12-117-12	CE1-08	CE1-03	FC50-121-16	-	CE1-03	CE1-06
26	(CE2-04-PF50-M02)/ (CE2-03-PF50-M02)	PF50-M02	FC12-117-12	CE1-07	CE1-05				
28	(CE2-04-PF50-M02)/ (CE2-03-PF50-M02)	PF50-M02	FC12-117-12	CE1-09	CE1-02				
30	(CE2-04-PF50-M02)/ (CE2-03-PF50-M02)	PF50-M02	FC12-117-12	CE1-03	CE1-06				
32	(CE2-04-PF50-M02)/ (CE2-03-PF50-M02)	PF50-M02		CE1-04	CE1-09				
34	(CE2-04-PF50-M02)/ (CE2-03-PF50-M02)	PF50-M02		CE1-08	CE1-03				
36	(CE2-04-PF50-M02)/ (CE2-03-PF50-M02)	PF50-M02		CE1-07	CE1-05				
38	(CE2-04-PF50-M02)/ (CE2-03-PF50-M02)	PF50-M02		CE1-09	CE1-02				
40	(CE2-04-PF50-M02)/ (CE2-03-PF50-M02)	PF50-M02		CE1-03	CE1-06				

# FC65

ÇELİK TAKVİYELİ CEPHE SİSTEMİ  
STEEL SUPPRTED FACADE SYSTEM



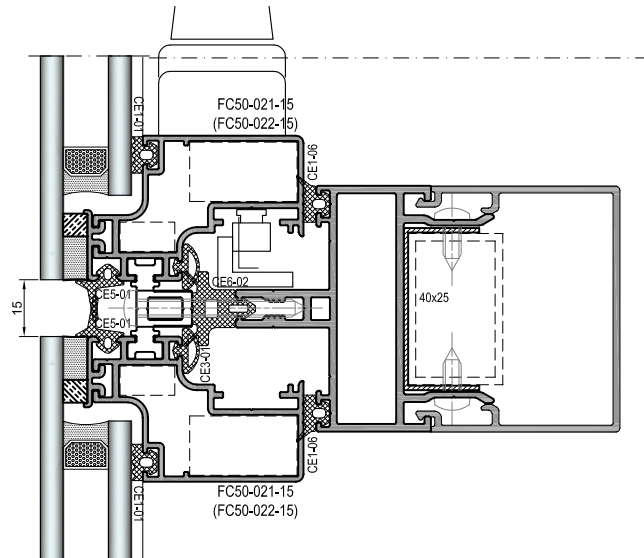
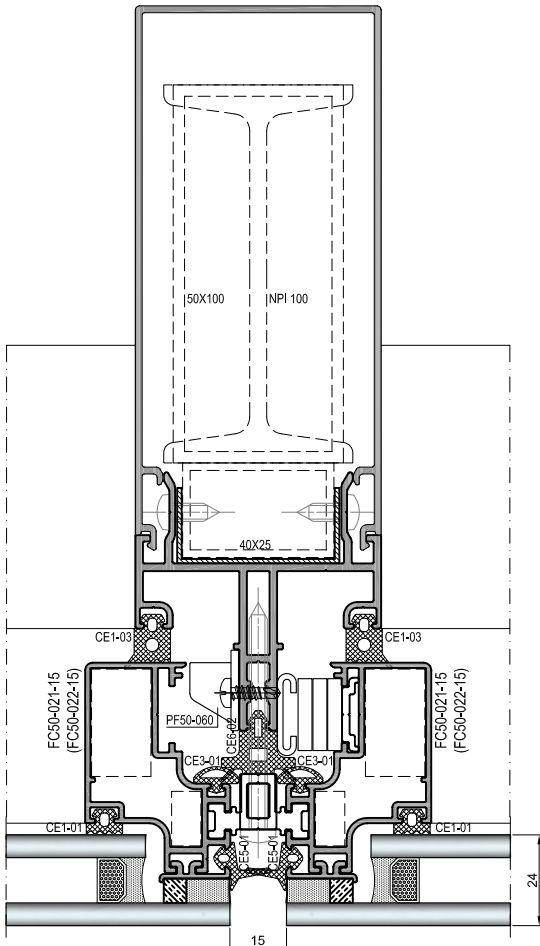
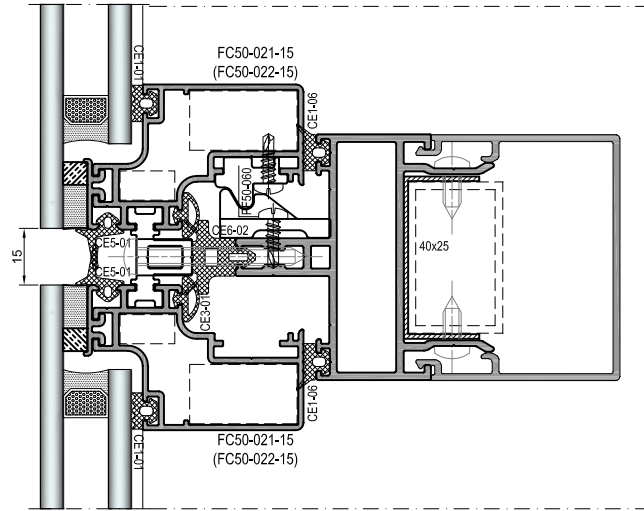
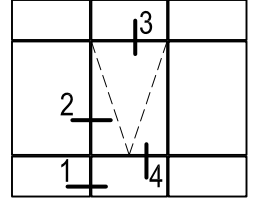
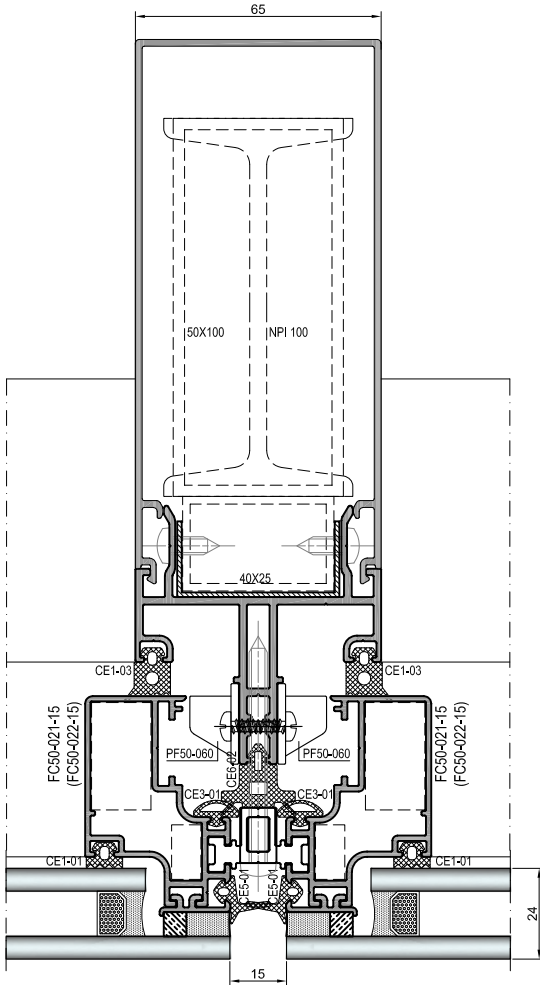
- KASETLÍ SLÍKON CEPHE

-MODUL SYSTEM WITH STRUCTURAL SYSTEM DETAILS

# FC65

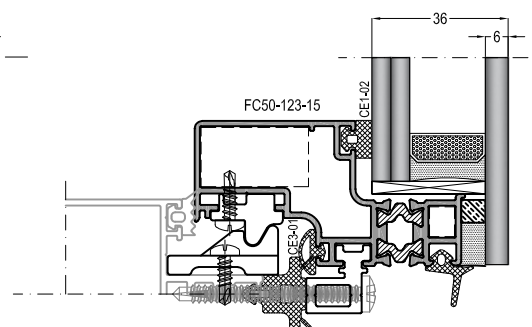
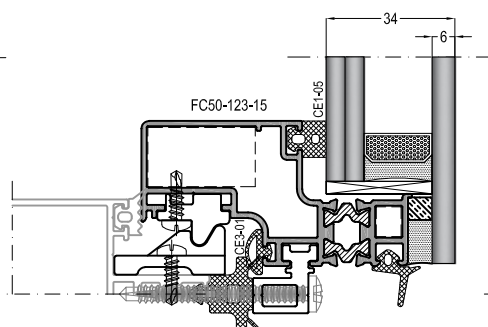
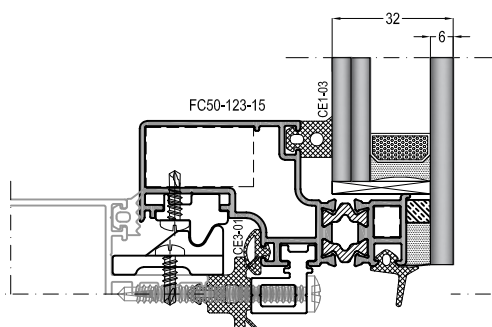
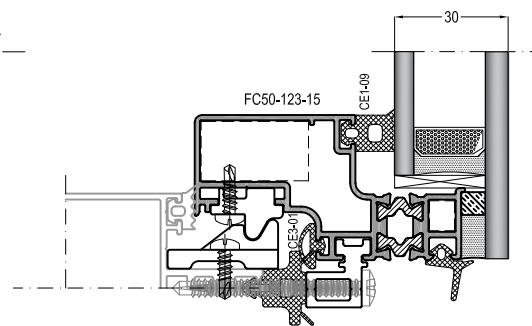
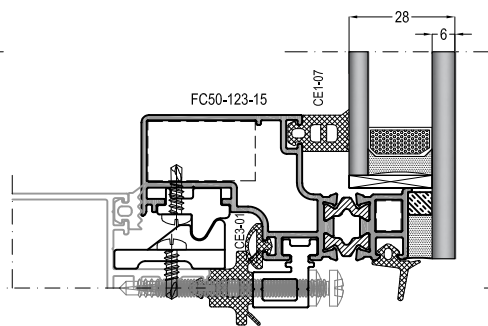
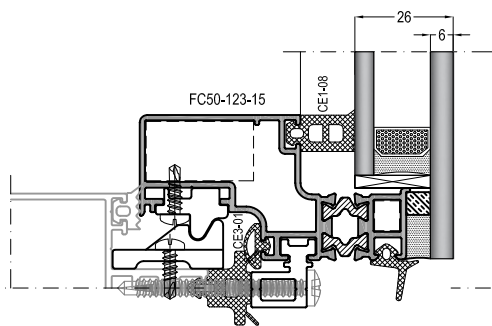
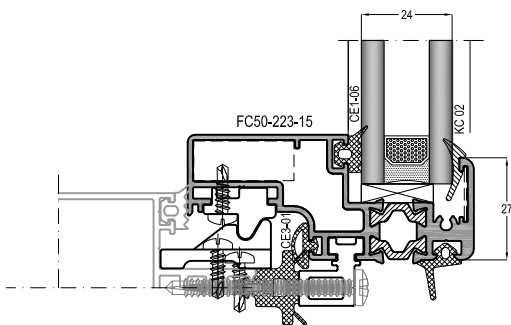
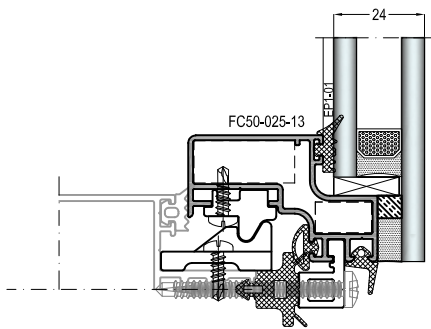
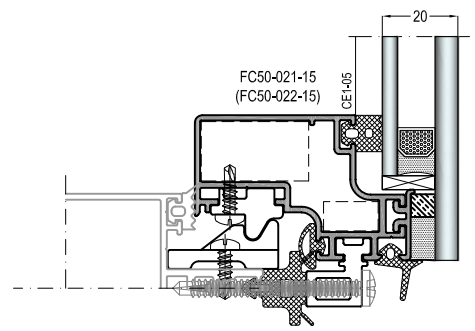
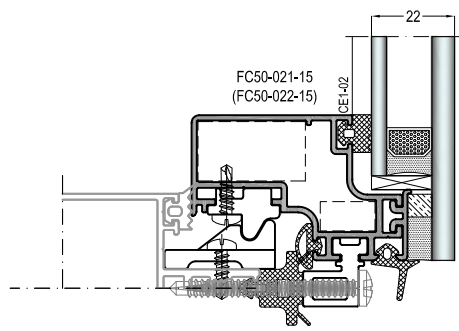
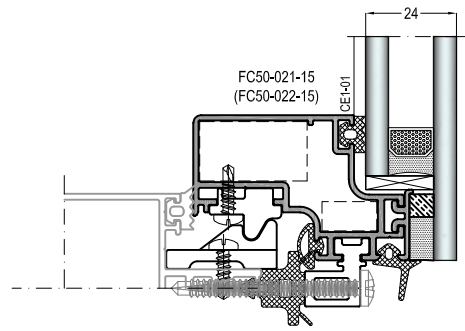
ÇELİK TAKVİYELİ CEPHE SİSTEMİ  
STEEL SUPPORTED FACADE SYSTEM

# ASISTAL



# FC50

CEPHE SİSTEMİ  
CURTAIN WALL SYSTEM





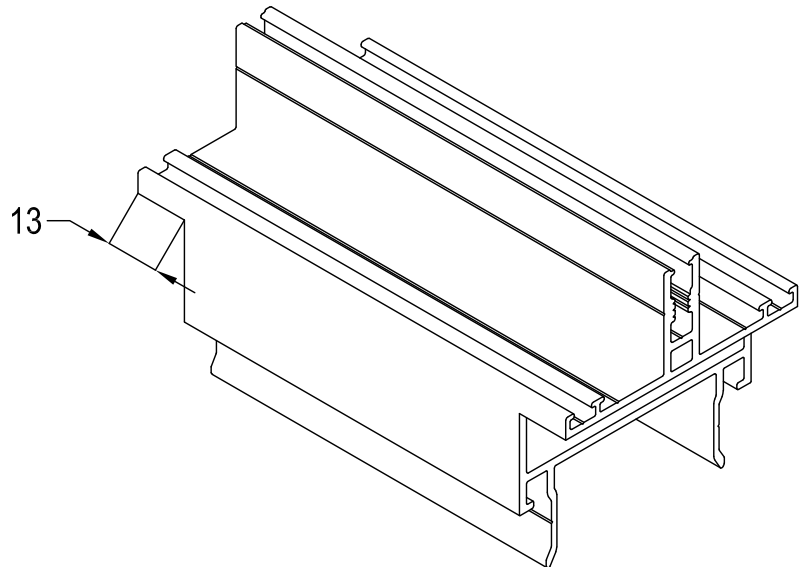
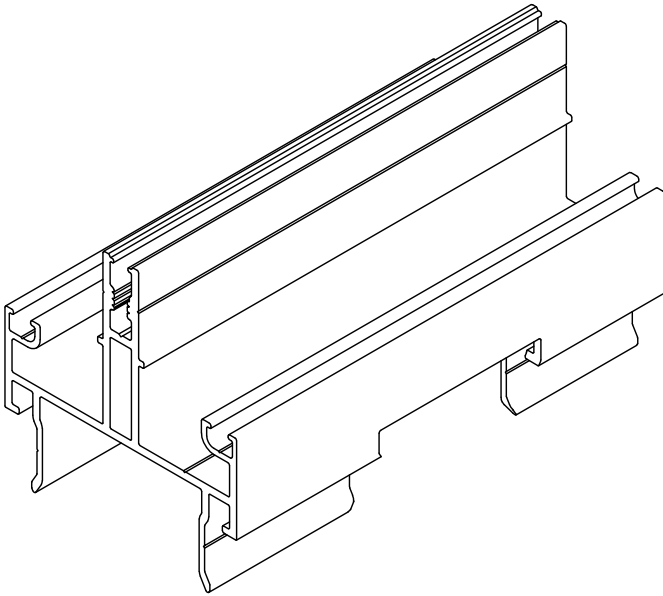
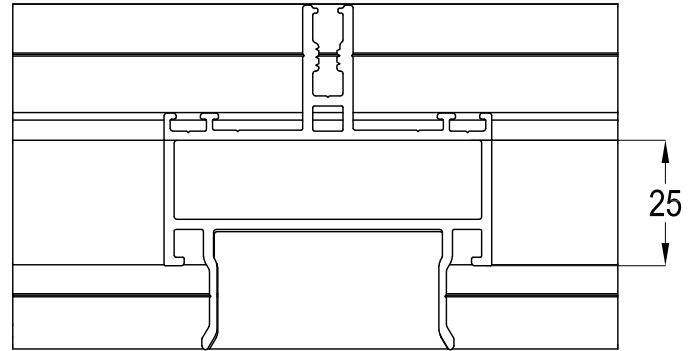
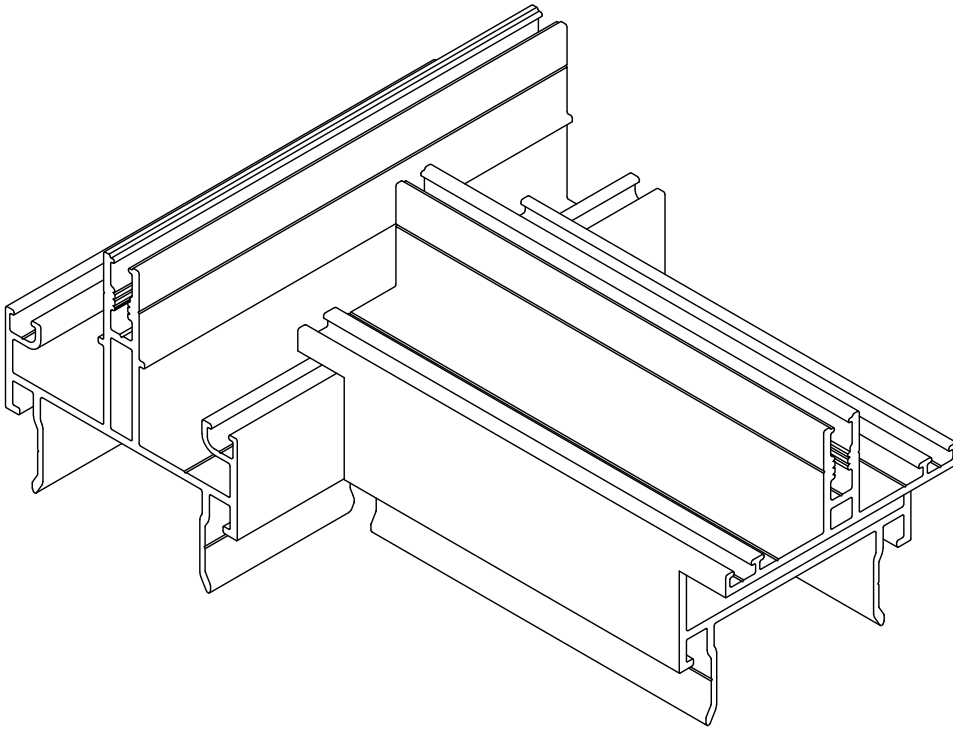
KESİM VE MONTAJ  
*CUTTING & ASSEMBLY*

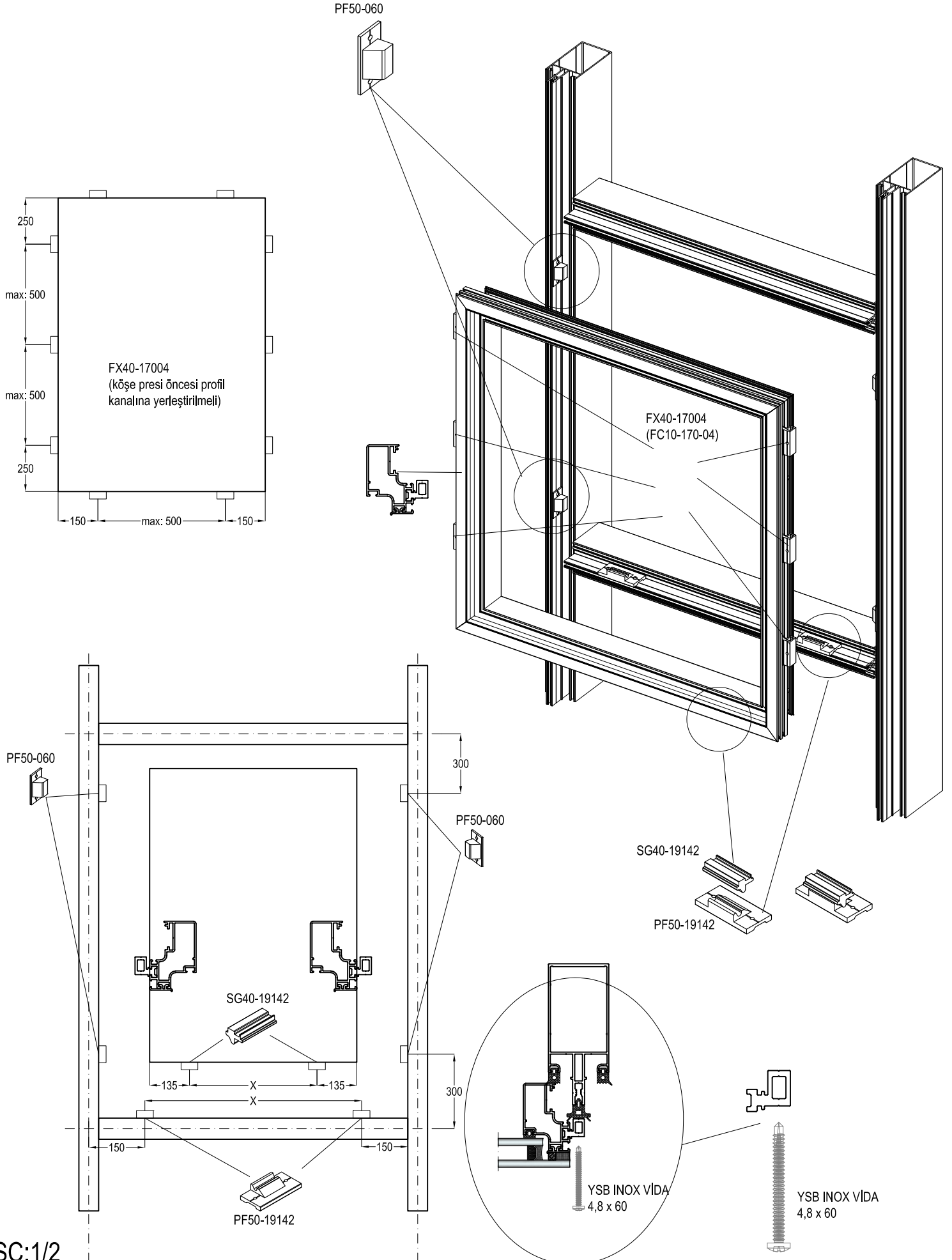




# FC65

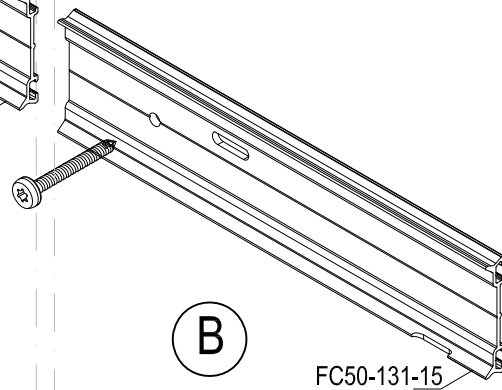
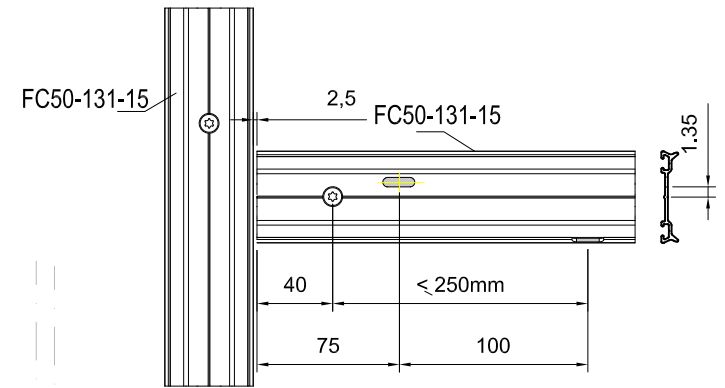
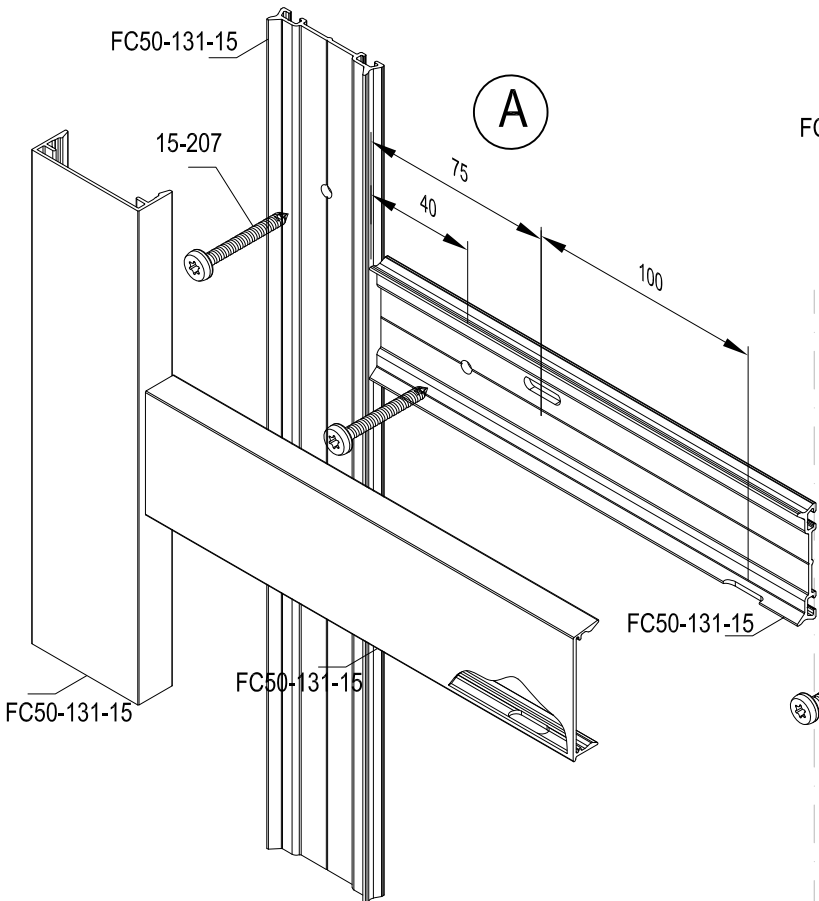
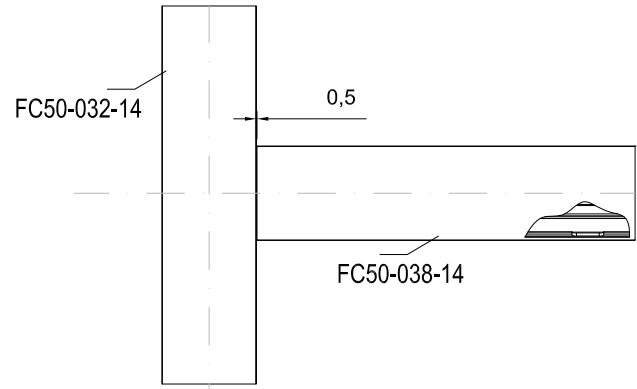
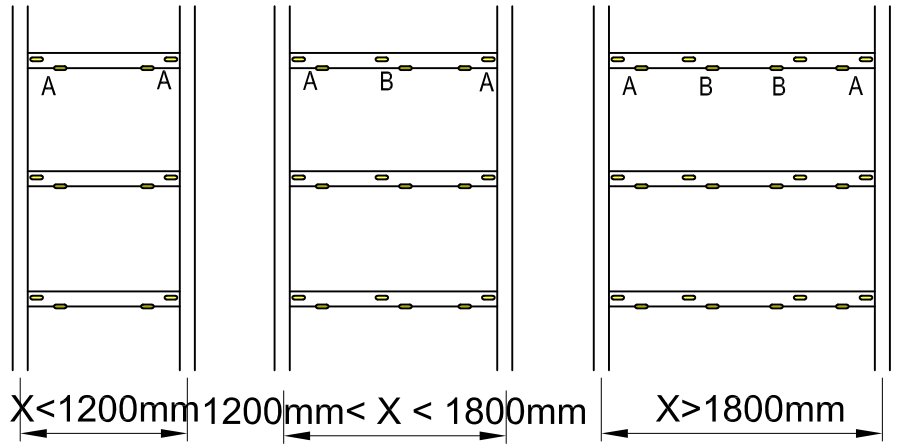
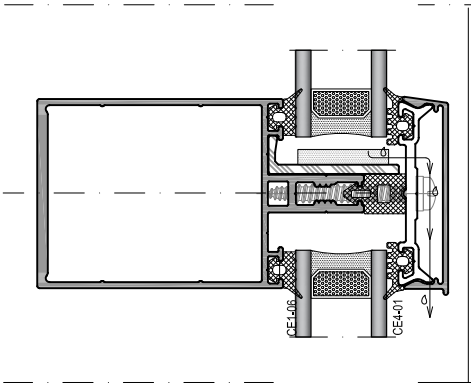
ÇELİK TAKVİYELİ CEPHE SİSTEMİ  
STEEL SUPPORTED FACADE SYSTEM





# FC65

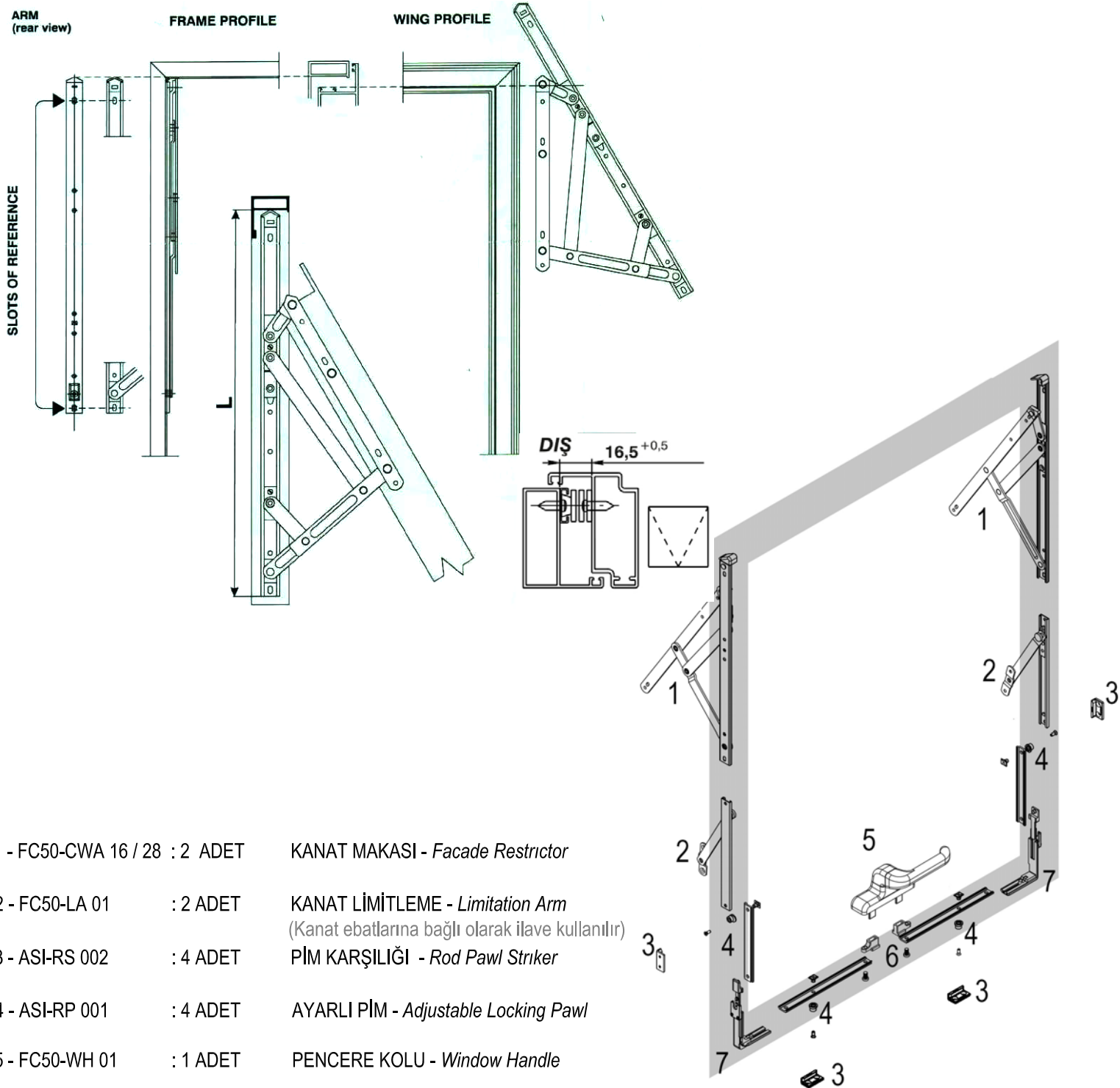
ÇELİK TAKVIYELİ CEPHE SİSTEMİ  
STEEL SUPPORTED FACADE SYSTEM



CEPHE DIŞA AÇILIR KANAT AKSESUARLARI  
FACADE OUTER OPENING SASH ACCESSORIES

FC50 CEPHE DIŞA AÇILIR KANAT MAKAS SEÇİM TABLOSU / FACADE RESTRICTOR TABLE

YÜKSEKLİK - HEIGHT						
265-635mm	635-785mm	785-1090mm	1090-1500mm	1500-2000mm	2000-2500mm	L => 2H (en boydan geniş ise yani bant pencere)
FC50-CWA-16	FC50-CWA-18	FC50-CWA-20	FC50-CWA-22	FC50-CWA-24	FC50-CWA-26	FC50-CWA-28



- |                      |           |  |
|----------------------|-----------|--|
| 1 - FC50-CWA 16 / 28 | : 2 ADET  | KANAT MAKASI - Facade Restrictor   |
| 2 - FC50-LA 01       | : 2 ADET  | KANAT LİMİTLEME - Limitation Arm<br>(Kanat ebatlarına bağlı olarak ilave kullanılır) |
| 3 - ASI-RS 002       | : 4 ADET  | PİM KARŞILIĞI - Rod Pawl Striker   |
| 4 - ASI-RP 001       | : 4 ADET  | AYARLI PİM - Adjustable Locking Pawl   |
| 5 - FC50-WH 01       | : 1 ADET  | PENCERE KOLU - Window Handle   |
| 6 - FC50-WH A01      | : 1 TAKIM | KOL İLETİŞİM PARÇASI - Window Handle Connector                                       |
| 7 - FC50-CD 01       | : 2 ADET  | KÖŞE İLETİŞİM PARÇASI - Corner Drive   |