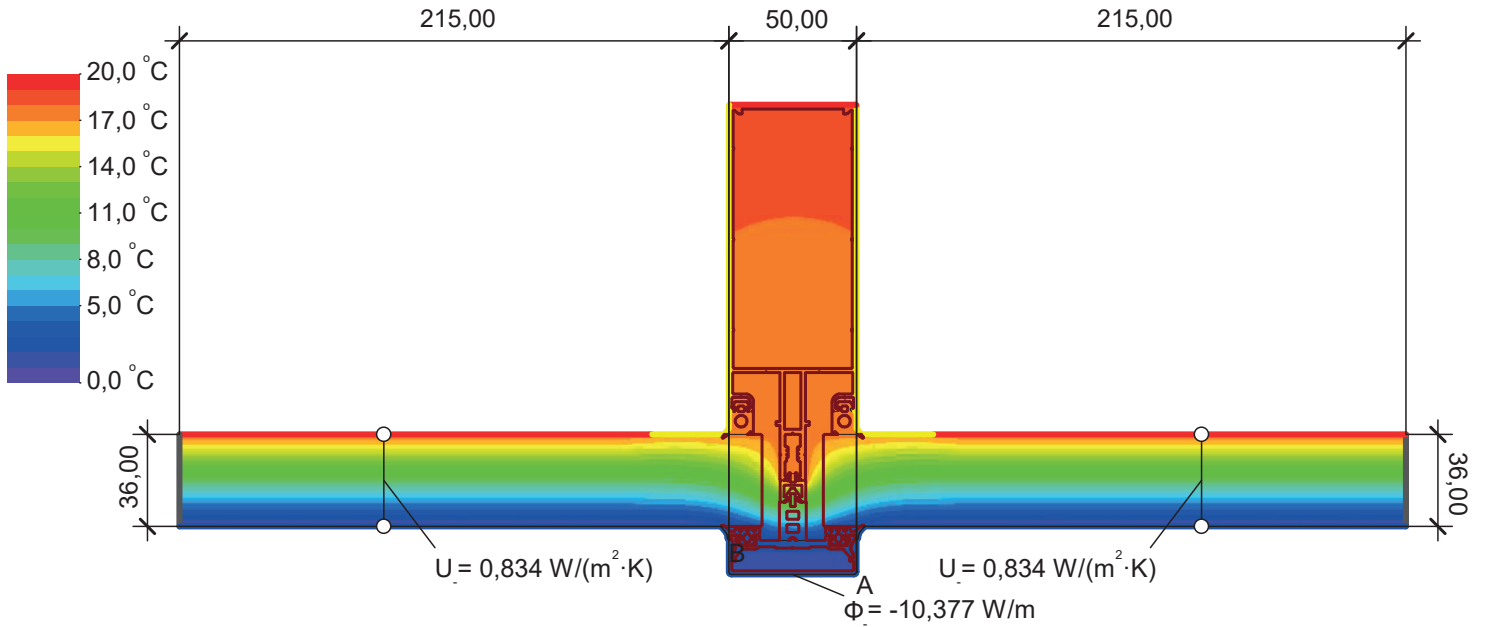


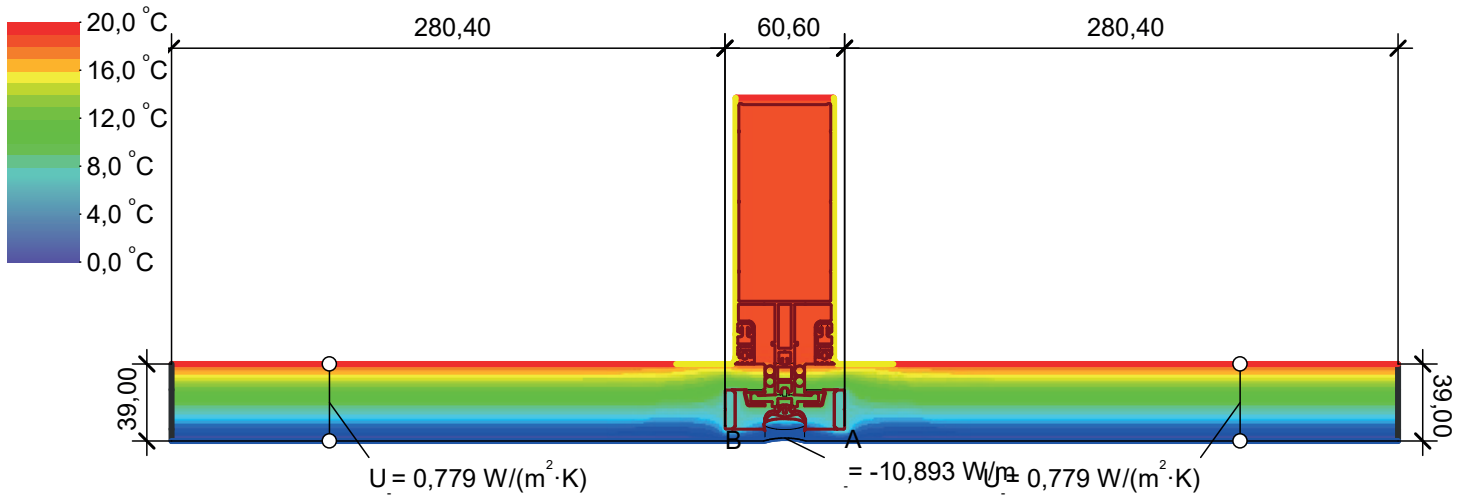


FC50-AS1 KAPAKLI CEPHE DETAYLARI / FC50-AS1 CARPED CURTAIN WALL SYSTEM DETAILS



$$U_{fAB} = \frac{\frac{\Phi}{\Delta T} - U_{p1} \cdot b_{p1} - U_{p2} \cdot b_{p2}}{b_f} = \frac{\frac{10,377}{20,000} - 0,834 \cdot 0,215 - 0,834 \cdot 0,215}{0,050} = 3,20 \text{ W}/(\text{m}^2 \cdot \text{K})$$

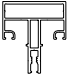

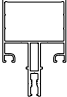

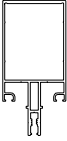

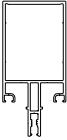

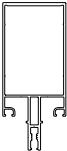
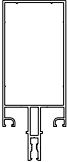
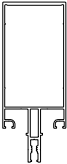

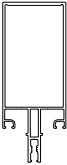

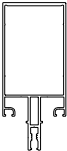

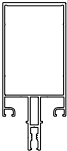

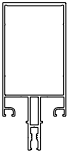

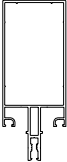

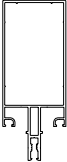

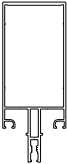

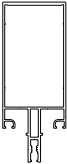

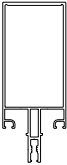

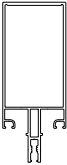





FC50-AS5 ÇİTALİ SLİKON CEPHE / FC50-AS5 STRUCTURAL GLAZING SYSTEM DETAILS



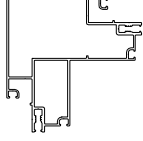
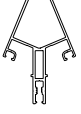



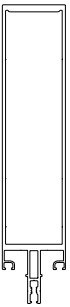
$$U_{fAB} = \frac{\frac{\Phi}{T} - U_{p1} \cdot b_{p1} - U_{p2} \cdot b_{p2}}{b_f} = \frac{\frac{10,893}{20,000} - 0,779 \cdot 0,280 - 0,779 \cdot 0,280}{0,061} = 1,78 \text{ W}/(\text{m}^2 \cdot \text{K})$$

PROFİL VE AKSESUAR LİSTELERİ
PROFILES & ACCESSORIES LIST

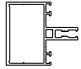



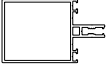

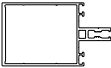



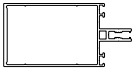


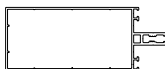
PROFİL LİSTESİ - PROFILES LIST





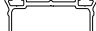










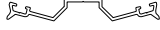




FC50-011-16	Jx cm ⁴	Jy cm ⁴		FC50-015-17	Jx cm ⁴	Jy cm ⁴	
	13,15	10,10			209,67	29,23	
DÜŞEY PROFİL - 30mm MULLION PROFILE - 30mm	AĞIRLIK / Weight			DÜŞEY PROFİL - 120mm MULLION PROFILE - 120mm	AĞIRLIK / Weight		
	1,337 kg/mt				2,348 kg/mt		
FC50-012-16	Jx cm ⁴	Jy cm ⁴		FC50-115-17	Jx cm ⁴	Jy cm ⁴	
	29,42	13,94			213,92	30,80	
DÜŞEY PROFİL - 50mm MULLION PROFILE - 50mm	AĞIRLIK / Weight			DÜŞEY PROFİL - 120mm 1,9mm MULLION PROFILE - 120mm	AĞIRLIK / Weight		
	1,523 kg/mt				2,454 kg/mt		
FC50-013-16	Jx cm ⁴	Jy cm ⁴		FC50-016-17	Jx cm ⁴	Jy cm ⁴	
	74,95	19,63			300,08	33,28	
DÜŞEY PROFİL - 80mm MULLION PROFILE - 80mm	AĞIRLIK / Weight			DÜŞEY PROFİL - 140mm MULLION PROFILE - 140mm	AĞIRLIK / Weight		
	1,795 kg/mt				2,561 kg/mt		
FC50-013-20	Jx cm ⁴	Jy cm ⁴		FC50-018-20	Jx cm ⁴	Jy cm ⁴	
	78,61	23,02			368,44	40,50	
DÜŞEY PROFİL - 80mm 2mm MULLION PROFILE - 80mm	AĞIRLIK / Weight			DÜŞEY PROFİL - 146mm MULLION PROFILE - 146mm	AĞIRLIK / Weight		
	2,000 kg/mt				3,135 kg/mt		
FC50-010-16	Jx cm ⁴	Jy cm ⁴		FC50-018-20	Jx cm ⁴	Jy cm ⁴	
	96,19	21,50			368,44	40,50	
DÜŞEY PROFİL - 90mm MULLION PROFILE - 90mm	AĞIRLIK / Weight			DÜŞEY PROFİL - 146mm MULLION PROFILE - 146mm	AĞIRLIK / Weight		
	1,882 kg/mt				3,135 kg/mt		
FC50-004-16	Jx cm ⁴	Jy cm ⁴		FC50-018-20	Jx cm ⁴	Jy cm ⁴	
	107,33	22,80			368,44	40,50	
EKO. DÜŞEY PROFİL 100mm MULLION PROFILE - 100mm	AĞIRLIK / Weight			DÜŞEY PROFİL - 146mm MULLION PROFILE - 146mm	AĞIRLIK / Weight		
	1,875 kg/mt				3,135 kg/mt		
FC50-014-16	Jx cm ⁴	Jy cm ⁴		FC50-017-18	Jx cm ⁴	Jy cm ⁴	
	120,82	23,38			522,65	43,62	
DÜŞEY PROFİL - 100mm MULLION PROFILE - 100mm	AĞIRLIK / Weight			DÜŞEY PROFİL - 150mm MULLION PROFILE - 150mm	AĞIRLIK / Weight		
	1,969 kg/mt				3,782 kg/mt		
FC50-114-16	Jx cm ⁴	Jy cm ⁴		FC50-017-18	Jx cm ⁴	Jy cm ⁴	
	125,29	25,96			522,65	43,62	
DÜŞEY PROFİL - 100mm 1,9mm MULLION PROFILE - 100mm	AĞIRLIK / Weight			DÜŞEY PROFİL - 150mm MULLION PROFILE - 150mm	AĞIRLIK / Weight		
	2,098 kg/mt				3,782 kg/mt		
FC50-005-17	Jx cm ⁴	Jy cm ⁴		FC50-017-18	Jx cm ⁴	Jy cm ⁴	
	172,10	28,14			522,65	43,62	
EKO. DÜŞEY PROFİL 120mm MULLION PROFILE - 120mm	AĞIRLIK / Weight			DÜŞEY PROFİL - 150mm MULLION PROFILE - 150mm	AĞIRLIK / Weight		
	2,138 kg/mt				3,782 kg/mt		

PROFİL LİSTESİ - PROFILES LIST

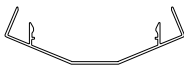
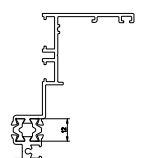

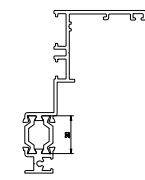

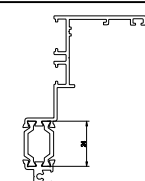
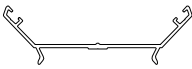
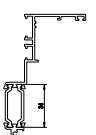

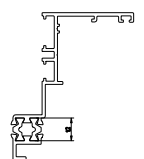

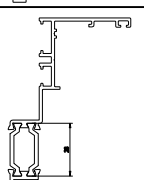
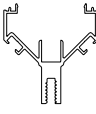
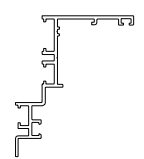

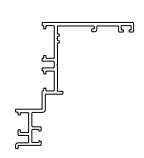

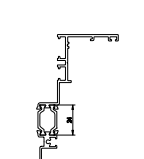

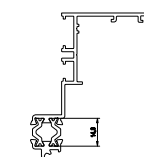
FC50-111-16	Jx cm ⁴	Jy cm ⁴		FC50-112-16	Jx cm ⁴	Jy cm ⁴	
	101,16	98,93			25,97	8,92	
KÖŞE DÖNÜŞ PROFİLİ 90° CORNER PROFILE - 90°	AĞIRLIK / Weight			KÖŞE DÖNÜŞ PROFİLİ 135° CORNER PROFILE - 135°	AĞIRLIK / Weight		
	2,571 kg/mt				1,348 kg/mt		
FC50-006-18	Jx cm ⁴	Jy cm ⁴					
	316,44	36,45					
DÜŞEY PROFİL - 155mm MULLION PROFILE - 155mm	AĞIRLIK / Weight						
	2,563 kg/mt						
FC50-019-20	Jx cm ⁴	Jy cm ⁴					
	497,91	45,11					
DÜŞEY PROFİL - 166mm MULLION PROFILE - 166mm	AĞIRLIK / Weight						
	3,352 kg/mt						
FC50-020-20	Jx cm ⁴	Jy cm ⁴					
	755,29	52,07					
DÜŞEY PROFİL - 188mm MULLION PROFILE - 188mm	AĞIRLIK / Weight						
	3,878 kg/mt						
FC50-021-25	Jx cm ⁴	Jy cm ⁴					
	1037,63	66,68					
DÜŞEY PROFİL - 210mm MULLION PROFILE - 210mm	AĞIRLIK / Weight						
	4,615 kg/mt						

PROFİL LİSTESİ - PROFILES LIST

FC50-211-16	Jx cm ⁴ 14,43	Jy cm ⁴ 10,90		FC50-214-16	Jx cm ⁴ 130,25	Jy cm ⁴ 24,04	
YATAY PROFİL - 35mm TRANSOM PROFILE - 35mm	AĞIRLIK / Weight 1,241 kg/mt			YATAY PROFİL - 105mm TRANSOM PROFILE - 105mm	AĞIRLIK / Weight 1,849 kg/mt		
FC50-212-16	Jx cm ⁴ 27,35	Jy cm ⁴ 13,62		FC50-214-20	Jx cm ⁴ 126,33	Jy cm ⁴ 27,42	
YATAY PROFİL - 50mm TRANSOM PROFILE - 50mm	AĞIRLIK / Weight 1,367 kg/mt			YATAY PROFİL - 105mm TRANSOM PROFILE - 105mm	AĞIRLIK / Weight 1,985 kg/mt		
FC50-213-18	Jx cm ⁴ 35,96	Jy cm ⁴ 16,54		FC50-215-16	Jx cm ⁴ 197,20	Jy cm ⁴ 30,30	
YATAY PROFİL - 60mm TRANSOM PROFILE - 60mm	AĞIRLIK / Weight 1,436 kg/mt			YATAY PROFİL - 125mm TRANSOM PROFILE - 125mm	AĞIRLIK / Weight 2,148 kg/mt		
FC50-313-16	Jx cm ⁴ 46,33	Jy cm ⁴ 16,43		FC50-216-18	Jx cm ⁴ 250,23	Jy cm ⁴ 33,89	
YATAY PROFİL - 65mm TRANSOM PROFILE - 65mm	AĞIRLIK / Weight 1,497 kg/mt			YATAY PROFİL - 145mm TRANSOM PROFILE - 145mm	AĞIRLIK / Weight 2,247 kg/mt		
FC50-007-16	Jx cm ⁴ 59,42	Jy cm ⁴ 18,31		FC50-217-17	Jx cm ⁴ 359,28	Jy cm ⁴ 34,78	
YATAY PROFİL - 80mm TRANSOM PROFILE - 80mm	AĞIRLIK / Weight 1,479 kg/mt			YATAY PROFİL - 155mm TRANSOM PROFILE - 155mm	AĞIRLIK / Weight 2,485 kg/mt		
FC50-213-16	Jx cm ⁴ 71,50	Jy cm ⁴ 19,24					
YATAY PROFİL - 80mm TRANSOM PROFILE - 80mm	AĞIRLIK / Weight 1,626 kg/mt						
FC50-203-17	Jx cm ⁴ 66,76	Jy cm ⁴ 18,38					
EKO. YATAY PROFİL 85mm TRANSOM PROFILE - 85mm	AĞIRLIK / Weight 1,468 kg/mt						
FC50-213-17	Jx cm ⁴ 82,57	Jy cm ⁴ 20,29					
YATAY PROFİL - 85mm TRANSOM PROFILE - 85mm	AĞIRLIK / Weight 1,652 kg/mt						
FC50-204-16	Jx cm ⁴ 106,62	Jy cm ⁴ 21,94					
EKO. YATAY PROFİL 105mm TRANSOM PROFILE - 105mm	AĞIRLIK / Weight 1,633 kg/mt						

FC50-131-15			FC50-033-09		
BASKI KAPAK PROFİLİ COVER BOTTOM PROFILE	AĞIRLIK / Weight 0,392 kg/mt		KANAL KAPAK PROFİLİ COVER PROFILE	AĞIRLIK / Weight 0,043 kg/mt	
FC50-131-01			FC50-035-14		
BASKI KAPAK PROFİLİ COVER BOTTOM PROFILE	AĞIRLIK / Weight 0,421 kg/mt		BADEM KAPAK PROFİLİ COVER PROFILE	Jx cm ⁴ 31,85	
FC50-131-20			FC50-138-15		
BASKI KAPAK PROFİLİ COVER BOTTOM PROFILE	AĞIRLIK / Weight 0,452 kg/mt		KUTU KAPAK PROFİLİ BOX COVER PROFILE	Jx cm ⁴ 81,59	
FC50-037-14			FC50-140-15		
KAPAK PROFİLİ-14mm COVER PROFILE	AĞIRLIK / Weight 0,296 kg/mt		KUTU KAPAK PROFİLİ BOX COVER PROFILE	Jx cm ⁴ 121,79	
FC50-032-14			FC50-200-20		
KAPAK PROFİLİ-16mm COVER PROFILE	AĞIRLIK / Weight 0,309kg/mt		KUTU KAPAK PROFİLİ BOX COVER PROFILE	Jx cm ⁴ 433,6	
FC50-031-14			FC50-039-20		
KAPAK PROFİLİ-17mm COVER PROFILE	AĞIRLIK / Weight 0,315 kg/mt		AÇILI KAPAK PROFİLİ ANGULAR COVER PROFILE	AĞIRLIK / Weight 0,867 kg/mt	
FC50-036-14			FC12-110-12		
KAPAK PROFİLİ-20mm COVER PROFILE	AĞIRLIK / Weight 0,335 kg/mt		AÇILI KAPAK AYAR PROFİLİ ANGULAR COVER PROFILE	AĞIRLIK / Weight 0,132 kg/mt	
FC50-038-14			FC50-137-15		
YATAY KAPAK PROFİLİ COVER PROFILE	AĞIRLIK / Weight 0,284 kg/mt		AÇILI BASKI KAPAK PROFİLİ - 150° ANGULAR COVER PROFILE	AĞIRLIK / Weight 0,486 kg/mt	
FC50-132-14			FC50-037-15		
VİDALI KAPAK PROFİLİ COVER PROFILE	AĞIRLIK / Weight 0,257 kg/mt		AÇILI KAPAK PROFİLİ - 150° ANGULAR COVER PROFILE	AĞIRLIK / Weight 0,486 kg/mt	
FC50-135-15			FC50-136-15		
VİDALI KAPAK PROFİLİ COVER PROFILE	AĞIRLIK / Weight 0,322 kg/mt		AÇILI BASKI KAPAK PROFİLİ - 135° ANGULAR COVER PROFILE	AĞIRLIK / Weight 0,514 kg/mt	

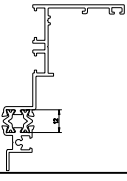
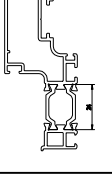
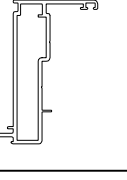
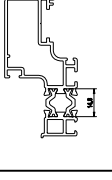
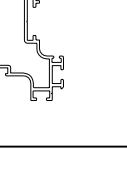
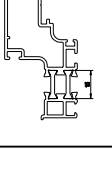

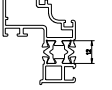
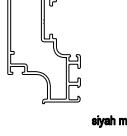
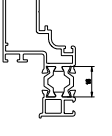
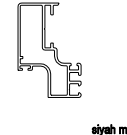
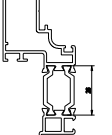
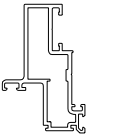

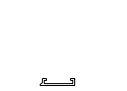
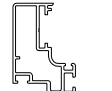
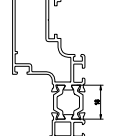
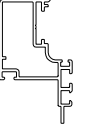
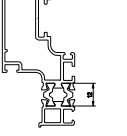
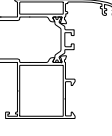
PROFİL LİSTESİ - PROFILES LIST

FC50-136-14			FC50-121-15		
AÇILI KAPAK PROFİLİ - 135° ANGULAR COVER PROFILE	AĞIRLIK / Weight 0,570 kg/mt		DIŞA AÇILIR KANAT KASA PROFİLİ-AS1 FRAME PROFILE	AĞIRLIK / Weight 1,145 kg/mt	
FC50-133-14			FC50-121-16		
AÇILI BASKI KAPAK PROFİLİ - İÇ KÖŞE 90° ANGULAR COVER PROFILE	AĞIRLIK / Weight 0,305 kg/mt		DIŞA AÇILIR KANAT KASA PROFİLİ-AS1 FRAME PROFILE	AĞIRLIK / Weight 1,183 kg/mt	
FC50-034-15			FC50-121-17		
AÇILI KAPAK PROFİLİ - İÇ KÖŞE 90° ANGULAR COVER PROFILE	AĞIRLIK / Weight 0,278 kg/mt		DIŞA AÇILIR KANAT KASA PROFİLİ-AS1 FRAME PROFILE	AĞIRLIK / Weight 1,204 kg/mt	
FC50-131-16			FC50-121-18		
AÇILI BASKI KAPAK PROFİLİ - DIŞ KÖŞE 90° ANGULAR COVER PROFILE	AĞIRLIK / Weight 0,724 kg/mt		DIŞA AÇILIR KANAT KASA PROFİLİ-AS1 FRAME PROFILE	AĞIRLIK / Weight 1,256 kg/mt	
FC50-131-17			FC50-221-15		
AÇILI KAPAK PROFİLİ - DIŞ KÖŞE 90° ANGULAR COVER PROFILE	AĞIRLIK / Weight 0,759 kg/mt		DIŞA AÇILIR KANAT KASA PROFİLİ-AS2 FRAME PROFILE	AĞIRLIK / Weight 1,085 kg/mt	
FC50-139-16			FC50-221-16		
VİDALI KAPAK PROFİLİ COVER PROFILE	AĞIRLIK / Weight 0,401 kg/mt		DIŞA AÇILIR KANAT KASA PROFİLİ-AS2 FRAME PROFILE	AĞIRLIK / Weight 1,165 kg/mt	
FC50-134-15			FC50-122-18		
KÖŞE ADAPTÖR PROFİLİ CORNER ADAPTER PROFILE	AĞIRLIK / Weight 0,976 kg/mt		DIŞA AÇILIR KANAT KASA PROFİLİ-AS4,AS5 FRAME PROFILE	AĞIRLIK / Weight 0,893 kg/mt	
FC12-036-15			13-09899		
KÖŞE ADAPTÖR PROFİLİ CORNER ADAPTER PROFILE	AĞIRLIK / Weight 0,206 kg/mt		DIŞA AÇILIR KANAT KASA PROFİLİ-AS5 FRAME PROFILE	AĞIRLIK / Weight 0,862 kg/mt	
FC12-200-20			FC50-122-19		
AYARLANABİLİR KÖŞE DÖNÜŞ PROFİLİ ADJUSTABLE CORNER PROFILE	AĞIRLIK / Weight 0,532 kg/mt		DIŞA AÇILIR KANAT KASA PROFİLİ-AS5 FRAME PROFILE	AĞIRLIK / Weight 1,128 kg/mt	
FC12-210-20			FC50-122-20		
AYARLANABİLİR KÖŞE DÖNÜŞ PROFİLİ ADJUSTABLE CORNER PROFILE	AĞIRLIK / Weight 0,624 kg/mt		DIŞA AÇILIR KANAT KASA PROFİLİ-AS5 FRAME PROFILE	AĞIRLIK / Weight	

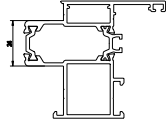
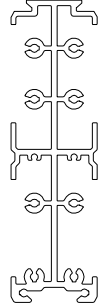
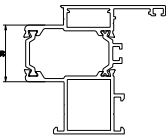
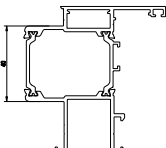
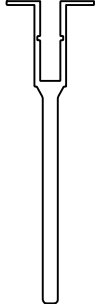
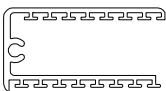
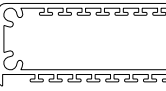
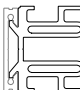

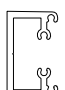
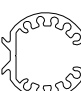

* Sipariş öncesi kalıp bilgisi kontrol edilmeli / must be check profile production before the order

Profil ağırlıklarımız teorik olup; teslim anındaki tartımız geçerlidir.

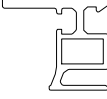

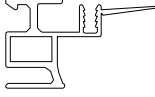
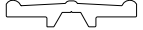
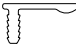
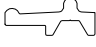
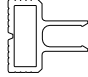








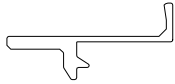

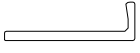

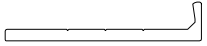
PROFİL LİSTESİ - PROFILE LIST

FC50-122-21			FC50-123-16		
DIŞA AÇILIR KANAT KASA PROFİLİ-AS5 FRAME PROFILE	AĞIRLIK / Weight 1,161 kg/mt		YALITIMLI CAM KASET PROFİLİ INSULATED GLAZING FRAME PROFILE	AĞIRLIK / Weight 1,256 kg/mt	
FC50-122-23			FC50-123-17		
DIŞA AÇILIR KANAT KASA PROFİLİ-AS1(1147) FRAME PROFILE	AĞIRLIK / Weight 1,347 kg/mt		YALITIMLI CAM KASET PROFİLİ INSULATED GLAZING FRAME PROFILE	AĞIRLIK / Weight 1,209 kg/mt	
FC50-021-15			FC50-123-18		
CAM KASET PROFİLİ GLAZING FRAME PROFILE	AĞIRLIK / Weight 0,841kg/mt		YALITIMLI CAM KASET PROFİLİ INSULATED GLAZING FRAME PROFILE	AĞIRLIK / Weight 1,211 kg/mt	
FC12-187-12			FC50-323-15		
CAM KASET BONDİNG PROFİLİ GLAZING FRAME BONDING PROFILE	AĞIRLIK / Weight 0,109 kg/mt		YALITIMLI CAM KASET PROFİLİ INSULATED GLAZING FRAME PROFILE	AĞIRLIK / Weight 1,193 kg/mt	
FC50-022-15			FC50-323-16P		
CAM KASET PROFİLİ GLAZING FRAME PROFILE	AĞIRLIK / Weight 0,874 kg/mt		YALITIMLI CAM KASET PROFİLİ INSULATED GLAZING FRAME PROFILE	AĞIRLIK / Weight 1,216 kg/mt	
FC50-025-13			FC50-323-17		
EKONOMİK CAM KASET PROFİLİ ECONOMIC GLAZING FRAME PROFILE	AĞIRLIK / Weight 0,674 kg/mt		YALITIMLI CAM KASET PROFİLİ INSULATED GLAZING FRAME PROFILE	AĞIRLIK / Weight 1,267 kg/mt	
FC50-323-19			FC50-170-24		
CAM KASET PROFİLİ (1148) GLAZING FRAME PROFILE	AĞIRLIK / Weight 1,226 kg/mt		CAM KASET EMNİYET PROFİLİ GLAZING FRAME SECURITY PROFILE	AĞIRLIK / Weight 0,183 kg/mt	
FC12-187-13			FC50-223-15		
CAM KASET BONDİNG PROFİLİ GLAZING FRAME BONDING PROFILE	AĞIRLIK / Weight 0,071 kg/mt		YALITIMLI BONDİNGSİZ CAM KASET PROFİLİ INSULATED GLAZING FRAME PROFILE	AĞIRLIK / Weight 1,333 kg/mt	
FC50-023-15			FC50-024-15		
YALITIMLI CAM KASET PROFİLİ INSULATED GLAZING FRAME PROFILE	AĞIRLIK / Weight 1,238 kg/mt		KOMPOZİT LEVHA KASET PROFİLİ COMPOSITE PANEL FRAME PROFILE	AĞIRLIK / Weight 0,850 kg/mt	
FC50-123-15			TE62 47		
YALITIMLI CAM KASET PROFİLİ INSULATED GLAZING FRAME PROFILE	AĞIRLIK / Weight 1,210 kg/mt		İÇE AÇILIR KANAT KASA PROFİLİ - TE62 FRAME PROFILE	AĞIRLIK / Weight 1,413 kg/mt	

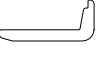
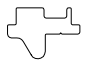
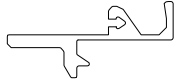
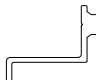
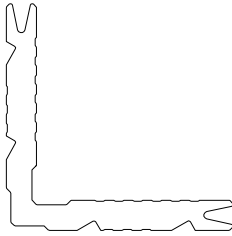
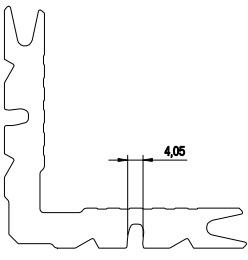
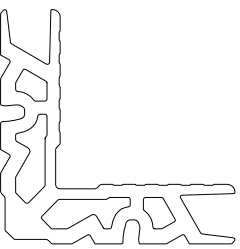
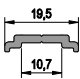
PROFİL LİSTESİ - PROFILES LIST










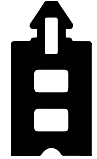






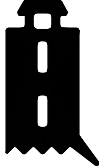



TH62 47			FC10-160-03		
İÇE AÇILIR KANAT KASA PROFİLİ-TH62 <i>FRAME PROFILE</i>	AĞIRLIK / Weight 1,699 kg/mt		DİLATASYON PROFİLİ <i>DILATATION PROFILE</i>	AĞIRLIK / Weight 4,664 kg/mt	
TH68 47					
İÇE AÇILIR KANAT KASA PROFİLİ-TH68 <i>FRAME PROFILE</i>	AĞIRLIK / Weight 1,736 kg/mt				
TH78 47			FC10-160-05		
İÇE AÇILIR KANAT KASA PROFİLİ-TH78 <i>FRAME PROFILE</i>	AĞIRLIK / Weight 1,768 kg/mt		SAÇAK-GÜNEŞ KIRICI BAĞLANTI PROFİLİ <i>ASSEMBLY PROFILE FOR SUNBREAK</i>	AĞIRLIK / Weight 3,496 kg/mt	
FC10-161-25					
ANKRAJ BAĞLANTI PROFİLİ <i>MULLION ANCHORS PROFILE</i>	AĞIRLIK / Weight 2,196 kg/mt				
FC10-161-26					
ANKRAJ BAĞLANTI PROFİLİ <i>MULLION ANCHORS PROFILE</i>	AĞIRLIK / Weight 2,506 kg/mt				
FC10-456-02					
YATAY BAĞLANTI PROFİLİ <i>TRANSOM JOINT PROFILE</i>	AĞIRLIK / Weight 1,672 kg/mt				
FC10-438-02					
YATAY BAĞLANTI KIZAK PROFİLİ <i>TRANSOM JOINT PROFILE</i>	AĞIRLIK / Weight 0,430 kg/mt				
99-027044-35					
U BAĞLANTI PROFİLİ <i>TRANSOM JOINT PROFILE</i>	AĞIRLIK / Weight 1,050 kg/mt				
FC10-462-02					
AÇILI YATAY BAĞLANTI PROFİLİ <i>ANGULAR T JOINT PROFILE</i>	AĞIRLIK / Weight 1,317 kg/mt				
FC12-181-12					
DİLATASYON GEÇİŞ PROFİLİ <i>DILATATION ISOLATION PROFILE</i>	AĞIRLIK / Weight 0,149 kg/mt				

PROFİL LİSTESİ - PROFILES LIST






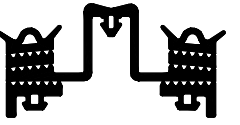
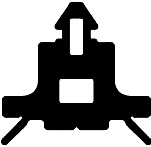
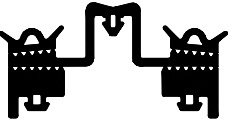
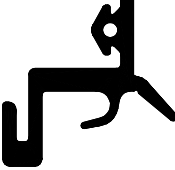
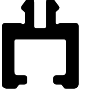



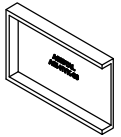

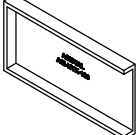

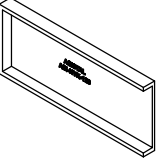

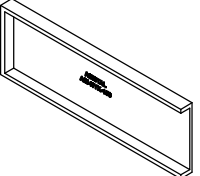
FC12-239-13			FC12-220-20		
CAM KASET PROFİLİ GLAZING FRAME PROFILE	AĞIRLIK / Weight 0,475 kg/mt		TEKLİ TESPİT PROFİLİ SINGLE FIXATION PROFILE	AĞIRLIK / Weight 0,193 kg/mt	
FC12-401-13			FC12-034-30		
CAM KASET PROFİLİ GLAZING FRAME PROFILE	AĞIRLIK / Weight 0,467 kg/mt		İKİLİ TESPİT PROFİLİ DOUBLE FIXATION PROFILE	AĞIRLIK / Weight 0,350 kg/mt	
FC12-203-15			FC12-023-30		
LEVHA TIRNAK PROFİLİ ADAPTER PROFILE	AĞIRLIK / Weight 0,162 kg/mt		TEKLİ TESPİT PROFİLİ SINGLE FIXATION PROFILE	AĞIRLIK / Weight 0,275 kg/mt	
FC12-193-16			FC12-039-40		
CAM ARA ÇİTA PROFİLİ GLAZING PROFILE	AĞIRLIK / Weight 0,287 kg/mt		KÖŞE DÖNÜŞ TESPİT PROFİLİ CORNER FIXATION PROFILE	AĞIRLIK / Weight 0,529 kg/mt	
FC12-193-06			FC12-067-12		
TEK CAM ÇİTA PROFİLİ SINGLE GLAZING PROFILE	AĞIRLIK / Weight 0,304 kg/mt		AÇILI TEK CAM ÇİTASI ANGULAR GLAZING PROFILE	AĞIRLIK / Weight 0,115 kg/mt	
13-09893			FC12-117-12		
U CAM ARA ÇİTA PROFİLİ GLAZING PROFILE	AĞIRLIK / Weight 0,077 kg/mt		TEK CAM ÇİTASI-10,5mm SINGLE GLAZING PROFILE	AĞIRLIK / Weight 0,133 kg/mt	
FC10-170-04			FC12-177-12		
TESPİT PROFİLİ FIXATION PROFILE	AĞIRLIK / Weight 0,373 kg/mt		TEK CAM ÇİTASI-17,5mm SINGLE GLAZING PROFILE	AĞIRLIK / Weight 0,206 kg/mt	
FC10-120-03			FC12-043-14		
TESPİT PROFİLİ FIXATION PROFILE	AĞIRLIK / Weight 0,285 kg/mt		CAM TAKOZU GLASS SUPPORT	AĞIRLIK / Weight 0,397 kg/mt	
FC12-266-22			FC12-344-25		
TESPİT PROFİLİ FIXATION PROFILE	AĞIRLIK / Weight 0,344 kg/mt		CAM TAKOZU GLASS SUPPORT	AĞIRLIK / Weight 0,270 kg/mt	
FC12-320-20			FC12-520-25		
İKİLİ TESPİT PROFİLİ DOUBLE FIXATION PROFILE	AĞIRLIK / Weight 0,263 kg/mt		CAM TAKOZU GLASS SUPPORT	AĞIRLIK / Weight 0,464 kg/mt	

PROFİL LİSTESİ - PROFILES LIST



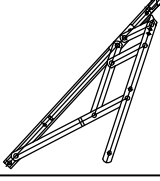

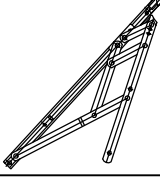
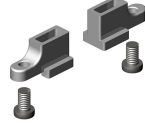
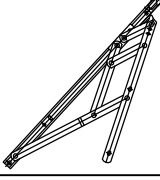
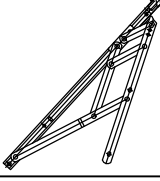

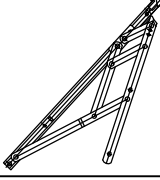

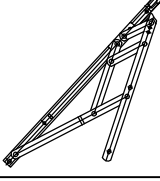
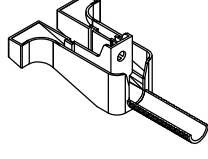

FC12-025-30			FC12-191-42		
CAM TAKOZU (1149) GLASS SUPPORT	AĞIRLIK / Weight 0,250 kg/mt		KASET DESTEK PROFİLİ SASH SUPPORT	AĞIRLIK / Weight 0,355 kg/mt	
FC12-438-14					
CAM TAKOZU GLASS SUPPORT	AĞIRLIK / Weight 0,491 kg/mt				
FC50-170-22					
CAM KASET EMNİYET PROFİLİ (1150) GLAZING FRAME SECURITY PROFILE	AĞIRLIK / Weight 0,200 kg/mt				
FC10-080-00					
KÖŞE TAKOZU - 8mm PRESS CORNER PROFILE	AĞIRLIK / Weight 2,038 kg/mt				
10-010106-00					
KÖŞE TAKOZU - 10,6mm PRESS CORNER PROFILE	AĞIRLIK / Weight 2,653 kg/mt				
FC10-158-00					
KÖŞE TAKOZU - 15,8mm PRESS CORNER PROFILE	AĞIRLIK / Weight 2,566 kg/mt				
FC12-195-20					
TİJ PROFİLİ ROD PROFILE	AĞIRLIK / Weight 0,120 kg/mt				

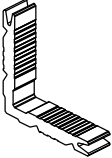
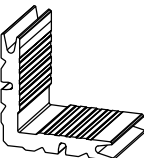
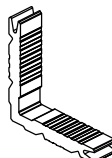

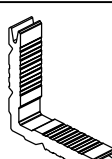

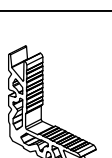
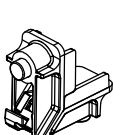

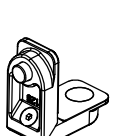
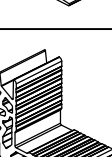
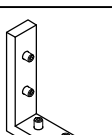
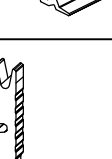
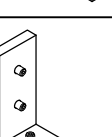
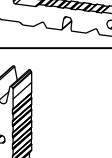
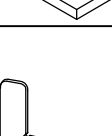
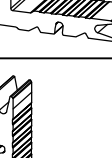
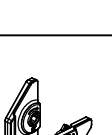
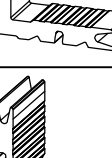
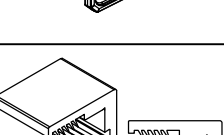
CE1-01			KC 02		
İÇ CAM FİTİLİ - 3 mm INNER GLAZING GASKET	KOLİ MİKTARI/Package 260 mt / 15 kg		KAMA CAM FİTİLİ - 2mm INNER GLAZING GASKET	KOLİ MİKTARI/Package 100 mt / 4,5 kg	
CE1-06			CE2-01		
İÇ CAM FİTİLİ - 3,5 mm INNER GLAZING GASKET	KOLİ MİKTARI/Package 250 mt / 15 kg		ORTA BASKI FİTİLİ-5,2mm CENTRAL EPDM GASKET	KOLİ MİKTARI/Package 150 mt / 15 kg	
CE1-02			CE2-04		
İÇ CAM FİTİLİ - 4,9 mm INNER GLAZING GASKET	KOLİ MİKTARI/Package 140 mt / 15 kg		ORTA BASKI FİTİLİ-11mm CENTRAL EPDM GASKET	KOLİ MİKTARI/Package 95 mt / 15 kg	
CE1-05			CE2-02		
İÇ CAM FİTİLİ - 7,1 mm INNER GLAZING GASKET	KOLİ MİKTARI/Package 160 mt / 15 kg		ORTA BASKI FİTİLİ-12mm CENTRAL EPDM GASKET	KOLİ MİKTARI/Package 90 mt / 15 kg	
CE1-03			CE2-05		
İÇ CAM FİTİLİ - 9,1 mm INNER GLAZING GASKET	KOLİ MİKTARI/Package 125 mt / 15 kg		ORTA BASKI FİTİLİ-15mm CENTRAL EPDM GASKET	KOLİ MİKTARI/Package 15 kg	
CE1-09			CE2-03		
İÇ CAM FİTİLİ - 10,6 mm INNER GLAZING GASKET	KOLİ MİKTARI/Package 120 mt / 15 kg		ORTA CAM FİTİLİ YARI KAPAKLI CEPHE CENTRAL EPDM GASKET	KOLİ MİKTARI/Package 63 mt / 15 kg	
CE1-07			CE3-01		
İÇ CAM FİTİLİ - 12,7 mm INNER GLAZING GASKET	KOLİ MİKTARI/Package 107 mt / 15 kg		BİNI FİTİLİ EPDM GASKET	KOLİ MİKTARI/Package 290 mt / 15 kg	
CE1-08			EP3-03		
İÇ CAM FİTİLİ - 14,7 mm INNER GLAZING GASKET	KOLİ MİKTARI/Package		KANAT BİNI FİTİLİ SASH GASKET	KOLİ MİKTARI/Package 430 mt / 15 kg	
CE1-04			CE5-01		
İÇ CAM FİTİLİ - 16,6 mm INNER GLAZING GASKET	KOLİ MİKTARI/Package 70 mt / 15 kg		KASET DERZ FİTİLİ SASH GASKET	KOLİ MİKTARI/Package 180 mt / 15 kg	
CE4-01			CE5-02		
DIŞ CAM FİTİLİ - 3 mm (BASKI KAPAK FİTİLİ) OUTER GLAZING GASKET	KOLİ MİKTARI/Package 210 mt / 15 kg		KASET DERZ FİTİLİ SASH GASKET	KOLİ MİKTARI/Package 15 kg	

SC:1/2

CE5-03			CE9-02		
KASET DERZ FİTİLİ SASH GASKET	KOLİ MİKTARI/Package 15 kg		KASA BİNI FİTİLİ FRAME GASKET	KOLİ MİKTARI/Package 15 kg	
CE5-04			CE10-01		
KASET DERZ FİTİLİ SASH GASKET	KOLİ MİKTARI/Package 15 kg		KONDENS KANALLI İÇ CAM FİTİLİ - 16mm GLAZING GASKET-16mm	KOLİ MİKTARI/Package 18 mt / 13,3 kg	
CE6-01			CE10-02		
DERZ FİTİLİ CENTRAL GASKET	KOLİ MİKTARI/Package 200 mt / 15 kg		KONDENS KANALLI İÇ CAM FİTİLİ - 12mm GLAZING GASKET-12mm	KOLİ MİKTARI/Package 18 mt / 13,7 kg	
CE6-02			CE10-03		
SİLİKON CEPHE ORTA FİTİLİ CENTRAL EPDM GASKET	KOLİ MİKTARI/Package 15 kg		KONDENS KANALLI İÇ CAM FİTİLİ - 8mm GLAZING GASKET-8mm	KOLİ MİKTARI/Package 18 mt / 13,7 kg	
CE7-01			PF50-M01		
KASA FİTİLİ FRAME GASKET	KOLİ MİKTARI/Package 110 mt / 15 kg		ORTA PVC BASKI - 8,5mm PVC PROFILE	KOLİ MİKTARI/Package 6 mt / Adet / Piece	
CE7-02			PF50-M02		
KANAT FİTİLİ SASH GASKET	KOLİ MİKTARI/Package 15 kg		ORTA PVC BASKI - 16mm PVC PROFILE	KOLİ MİKTARI/Package 6 mt / Adet / Piece	
CE8-01			ASI-HYK-80		
KULAKLI CAM FİTİLİ -9,6 INNER GLAZING GASKET	KOLİ MİKTARI/Package 15 kg		GENLEŞME CONTASI (KIZAKLI GEÇME)- 80mm HEMYUZ GASKET FOR T JOINT	KOLİ MİKTARI/Package Adet / Piece	
CE8-02			ASI-HYK-100		
KULAKLI CAM FİTİLİ -3,8 INNER GLAZING GASKET	KOLİ MİKTARI/Package 15 kg		GENLEŞME CONTASI (KIZAKLI GEÇME)-100mm HEMYUZ GASKET FOR T JOINT	KOLİ MİKTARI/Package Adet / Piece	
CE8-03			ASI-HYK-120		
KANAT BİNI FİTİLİ SASH GASKET	KOLİ MİKTARI/Package 15 kg		GENLEŞME CONTASI (KIZAKLI GEÇME)-120mm HEMYUZ GASKET FOR T JOINT	KOLİ MİKTARI/Package Adet / Piece	
CE9-01			ASI-HYK-150		
KULAKLI İÇ CAM FİTİLİ INNER GLAZING GASKET	KOLİ MİKTARI/Package 200 mt / 15 kg		GENLEŞME CONTASI (KIZAKLI GEÇME)-150mm HEMYUZ GASKET FOR T JOINT	KOLİ MİKTARI/Package Adet / Piece	

AKSESUAR LİSTESİ - ACCESSORIES LIST

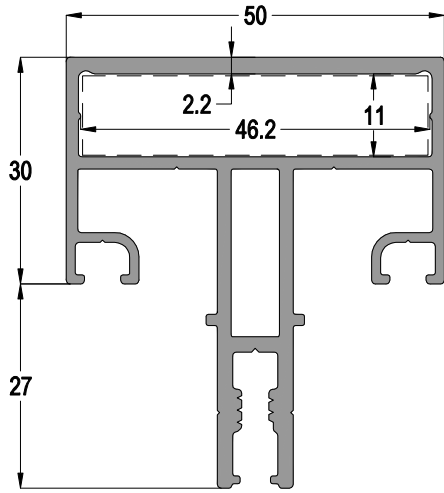
FC50-CWA 16			FC50-LA 01		
KANAT MAKASI h:265-635mm / 37- 40kg FACADE RESTRICTOR	KOLİ MİKTARI/Package Adet / Piece		KANAT LİMİTLEME KOLU LIMITATION ARM	KOLİ MİKTARI/Package Adet / Piece	
FC50-CWA 18			FC50-WH 01		
KANAT MAKASI h:635-785mm / 45 - 50kg FACADE RESTRICTOR	KOLİ MİKTARI/Package Adet / Piece		KIVRIK PENCERE KOLU WINDOW HANDLE	KOLİ MİKTARI/Package Adet / Piece	
FC50-CWA 20			FC50-WH A01		
KANAT MAKASI h:785-1090mm / 55 - 65kg FACADE RESTRICTOR	KOLİ MİKTARI/Package Adet / Piece		KOL İLETİŞİM PARÇASI WINDOW HANDLE CONNECTOR	KOLİ MİKTARI/Package Adet / Piece	
FC50-CWA 22			ASI-RP 001		
KANAT MAKASI h:1090-1500mm/75-100kg FACADE RESTRICTOR	KOLİ MİKTARI/Package Adet / Piece		AYARLI TİJ PİMİ ADJUSTABLE LOCKING PAWL	KOLİ MİKTARI/Package Adet / Piece	
FC50-CWA 24			ASI-RS 002		
KANAT MAKASI h:1500-2000mm / 100 kg FACADE RESTRICTOR	KOLİ MİKTARI/Package Adet / Piece		PİM KARŞILIĞI ROD PAWL STRIKE	KOLİ MİKTARI/Package Adet / Piece	
FC50-CWA 26			FC50-CD 01		
KANAT MAKASI h:2000-2500mm / 180 kg FACADE RESTRICTOR	KOLİ MİKTARI/Package Adet / Piece		KÖŞE İLETİŞİM PARÇASI CORNER DRIVE	KOLİ MİKTARI/Package Adet / Piece	
FC50-CWA 28			PF50-010		
KANAT MAKASI L=>2H / 100 kg FACADE RESTRICTOR	KOLİ MİKTARI/Package Adet / Piece		SU TAHLİYE PARÇASI ÇÖRTEN WATER DRAINAGE PART	KOLİ MİKTARI/Package Adet / Piece	
			PNC-FC50		
			YATAY BAĞLANTI KESME PANÇ MAKİNESİ PUNCH MACHINE	KOLİ MİKTARI/Package Adet / Piece	


ASI-KT 0807			ASI-KT 1168		
KÖŞE BAĞLANTI CORNER JOINT	KOLİ MİKTARI/Package Adet / Piece		KÖŞE BAĞLANTI CORNER JOINT	KOLİ MİKTARI/Package Adet / Piece	
ASI-KT 0815			ASI-KT 2308		
KÖŞE BAĞLANTI CORNER JOINT	KOLİ MİKTARI/Package Adet / Piece		KÖŞE BAĞLANTI CORNER JOINT	KOLİ MİKTARI/Package Adet / Piece	
ASI-KT 0822			ASI-KT 2660		
KÖŞE BAĞLANTI CORNER JOINT	KOLİ MİKTARI/Package Adet / Piece		KÖŞE BAĞLANTI CORNER JOINT	KOLİ MİKTARI/Package Adet / Piece	
ASI-KT 1610			ASI-PB 2326		
KÖŞE BAĞLANTI CORNER JOINT	KOLİ MİKTARI/Package Adet / Piece		PİMLİ KÖŞE BAĞLANTI CORNER JOINT	KOLİ MİKTARI/Package Adet / Piece	
ASI-KT 1628			ASI-PB 1126		
KÖŞE BAĞLANTI CORNER JOINT	KOLİ MİKTARI/Package Adet / Piece		PİMLİ KÖŞE BAĞLANTI CORNER JOINT	KOLİ MİKTARI/Package Adet / Piece	
ASI-KT 1635			ASI-PB 0410		
KÖŞE BAĞLANTI CORNER JOINT	KOLİ MİKTARI/Package Adet / Piece		KASA KÖŞE BAĞLANTI CORNER JOINT	KOLİ MİKTARI/Package Adet / Piece	
ASI-KT 1106			ASI-PB 0417		
KÖŞE BAĞLANTI CORNER JOINT	KOLİ MİKTARI/Package Adet / Piece		KASA KÖŞE BAĞLANTI CORNER JOINT	KOLİ MİKTARI/Package Adet / Piece	
ASI-KT 1126			ASI-SB 19.1		
KÖŞE BAĞLANTI CORNER JOINT	KOLİ MİKTARI/Package Adet / Piece		KÖŞE GÖNYESİ CORNER ALIGNMENT	KOLİ MİKTARI/Package Adet / Piece	
ASI-KT 1120			ASI-FUJI 2000		
KÖŞE BAĞLANTI CORNER JOINT	KOLİ MİKTARI/Package Adet / Piece		AYARLI KÖŞE GÖNYESİ CORNER ALIGNMENT	KOLİ MİKTARI/Package Adet / Piece	
ASI-KT 1136			FC50-KT 01		
KÖŞE BAĞLANTI CORNER JOINT	KOLİ MİKTARI/Package Adet / Piece		KÖŞE BAĞLANTI-PVC CORNER JOINT	KOLİ MİKTARI/Package Adet / Piece	

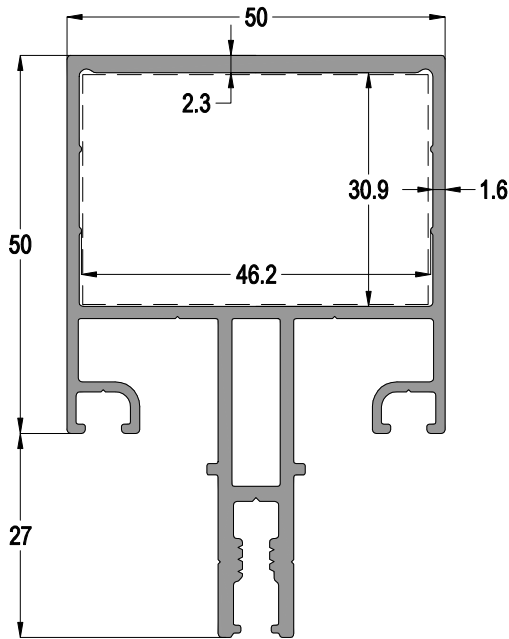
FC50


CEPHE SİSTEMİ
FACADE SYSTEM

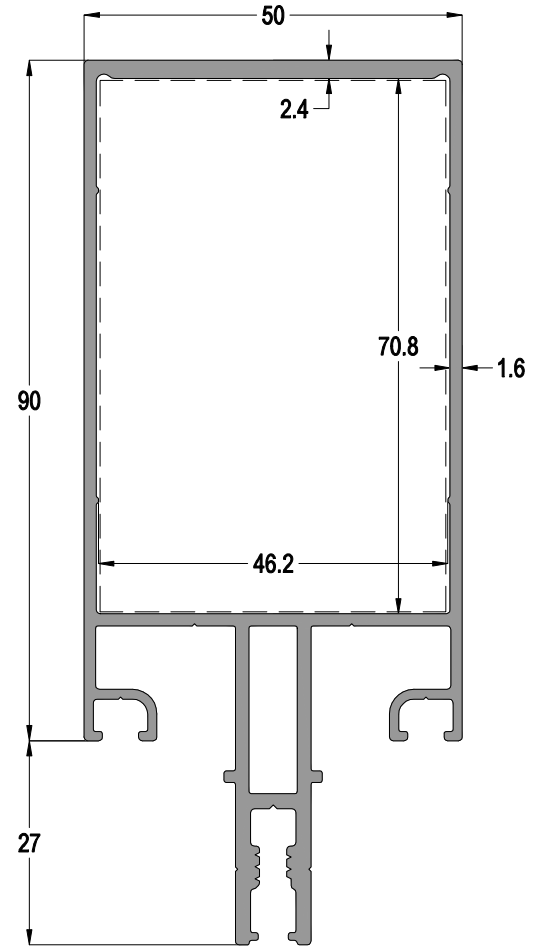
ASISTAL




FC50-011-16	Jx cm ⁴	Jy cm ⁴
	13,15	10,10
 AW4510	AĞIRLIK / Weight	
	1,337 kg/mt	



FC50-012-16	Jx cm ⁴	Jy cm ⁴
	29,42	13,94
 AW4530	AĞIRLIK / Weight	
	1,523 kg/mt	



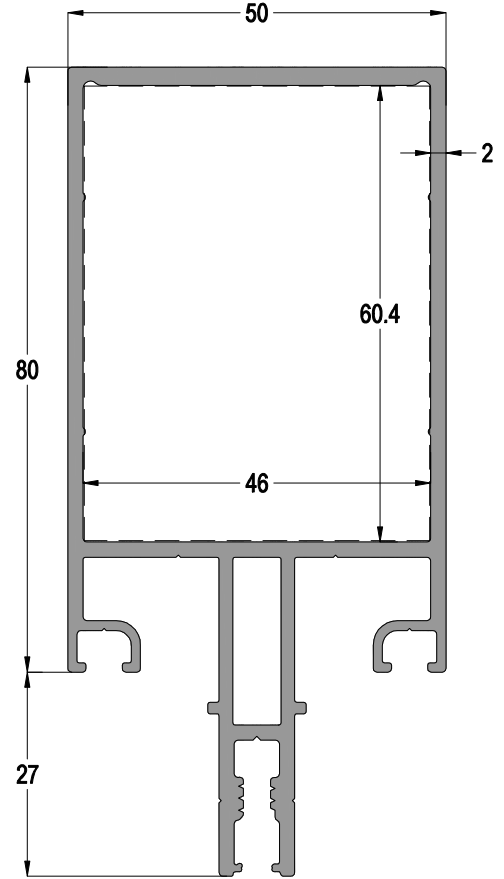
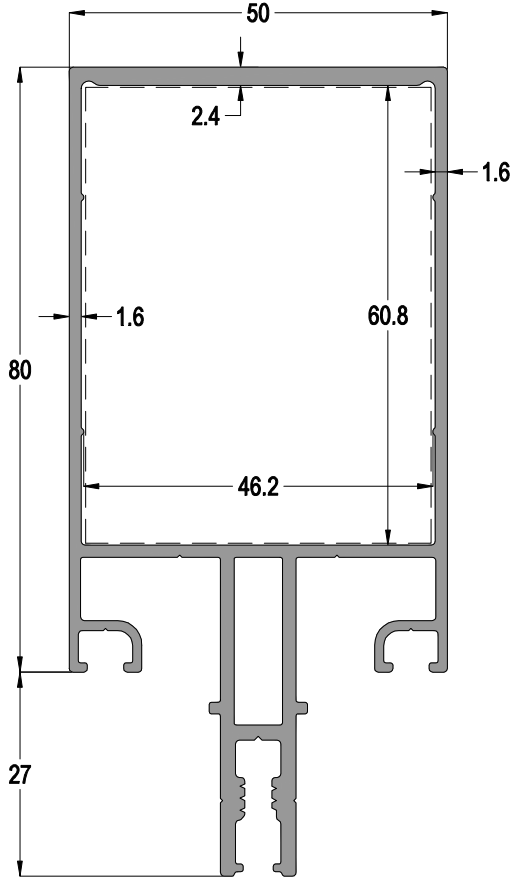
FC50-010-16	Jx cm ⁴	Jy cm ⁴
	96,19	21,50
 AW4570	AĞIRLIK / Weight	
	1,882 kg/mt	


Profil ağırlıklarımız teorik olup; teslim anındaki tartımız geçerlidir.


FC50

CEPHE SİSTEMİ
FACADE SYSTEM

ASISTAL



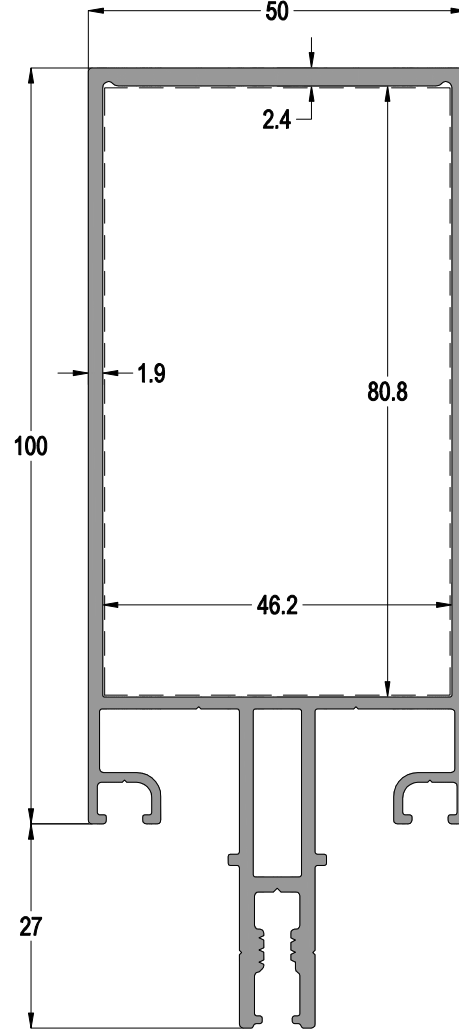
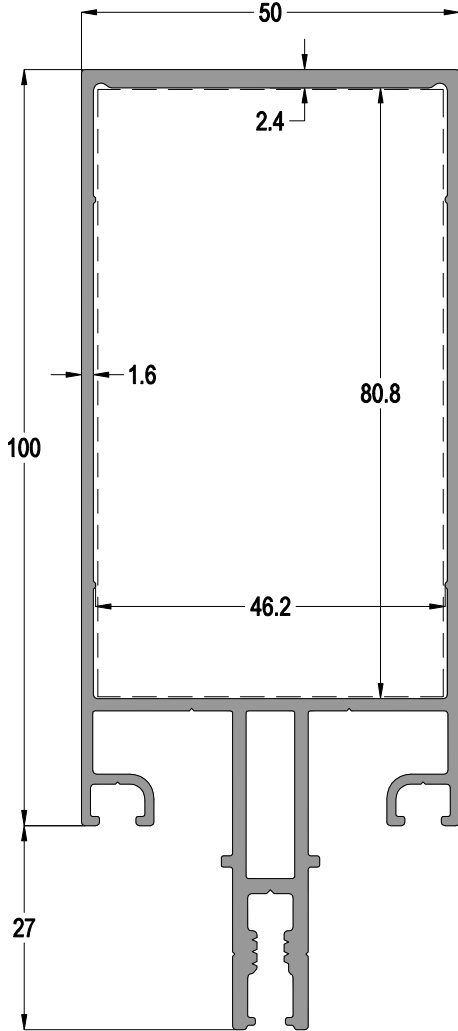
FC50-013-16	Jx cm*	Jy cm*
	74,95	19,63
 AW4560	AĞIRLIK / Weight	
	1,795 kg/mt	

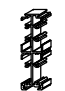
FC50-013-20	Jx cm*	Jy cm*
	78,61	23,02
 AW4560	AĞIRLIK / Weight	
	2,000 kg/mt	

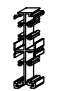
FC50

CEPHE SİSTEMİ
FACADE SYSTEM

ASISTAL



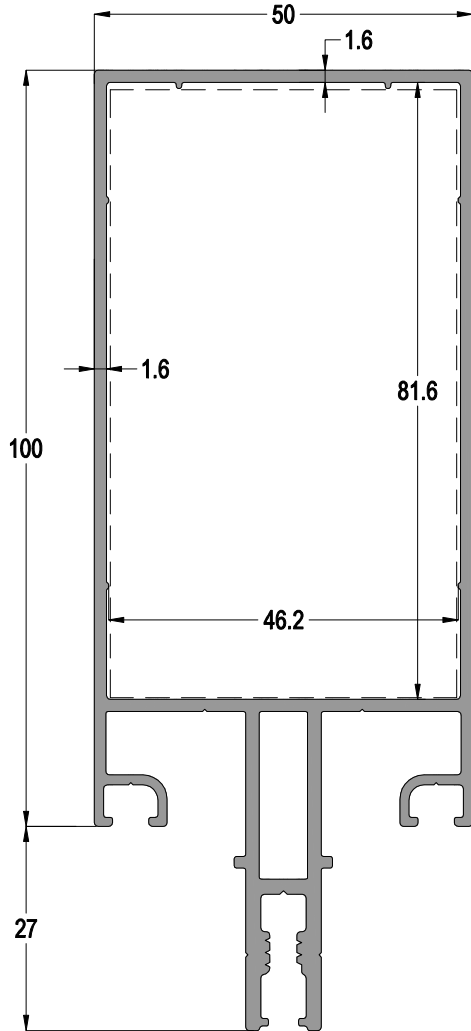
FC50-014-16	Jx cm ⁴	Jy cm ⁴
	120,82	23,38
 AW4580	AĞIRLIK / Weight	
	1,969 kg/mt	


FC50-114-16	Jx cm ⁴	Jy cm ⁴
	125,29	25,96
 AW4580	AĞIRLIK / Weight	
	2,098 kg/mt	

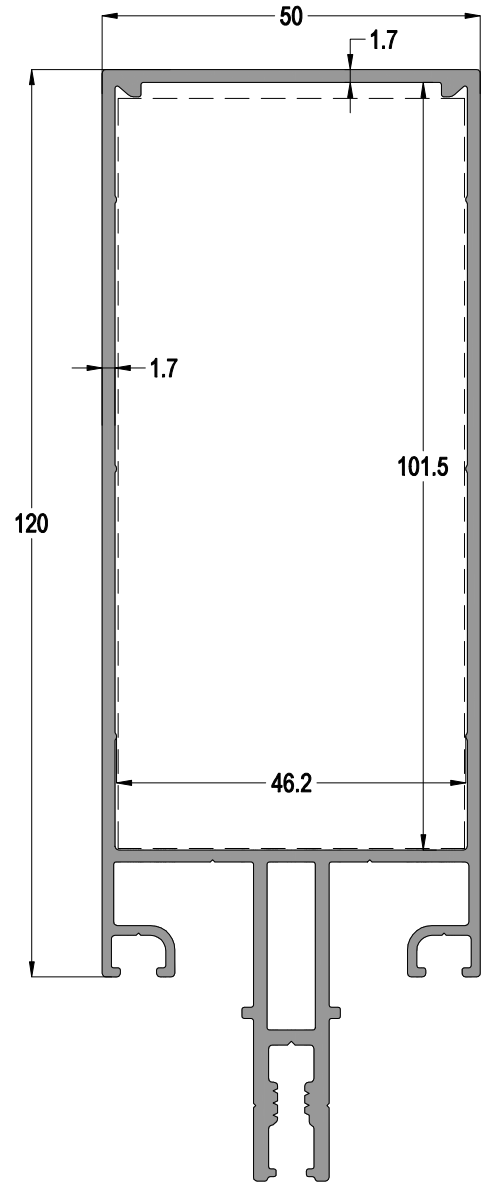
FC50


CEPHE SİSTEMİ
FACADE SYSTEM

ASISTAL



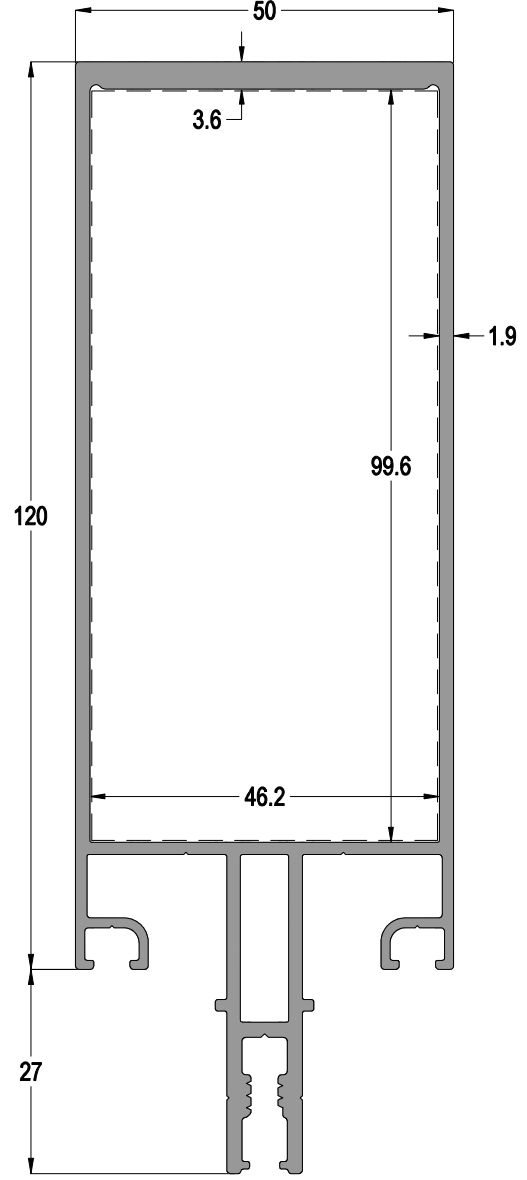
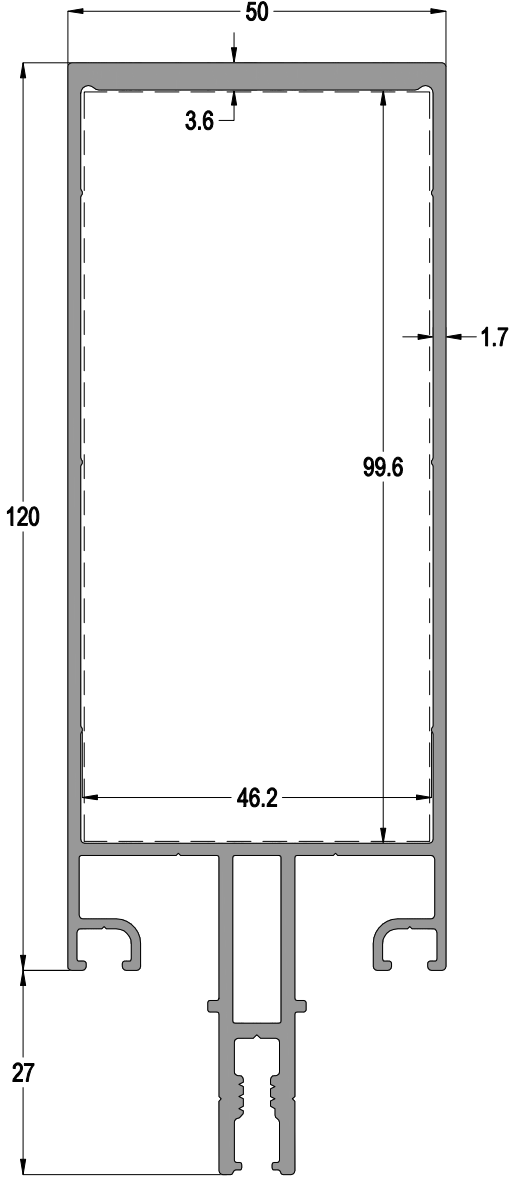
FC50-004-16	Jx cm*	Jy cm*
	107,33	22,80
 AW4580	AĞIRLIK / Weight	
	1,875 kg/mt	





FC50-005-17	Jx cm*	Jy cm*
	172,10	28,14
 AW4598	AĞIRLIK / Weight	
	2,138 kg/mt	

FC50

CEPHE SİSTEMİ
FACADE SYSTEM

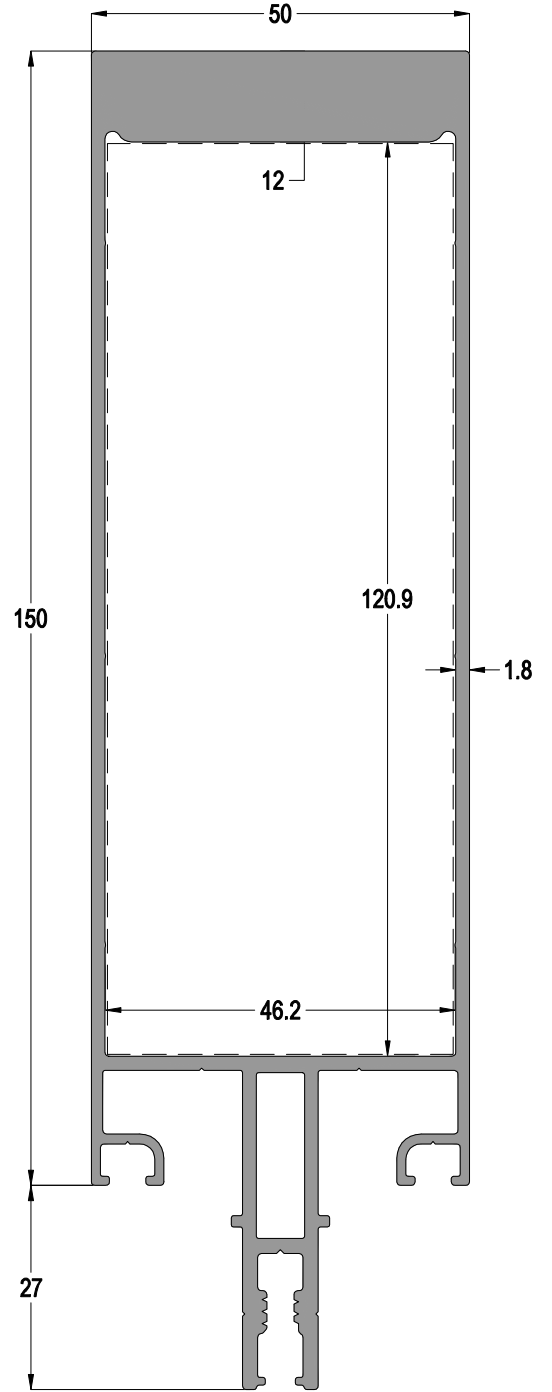
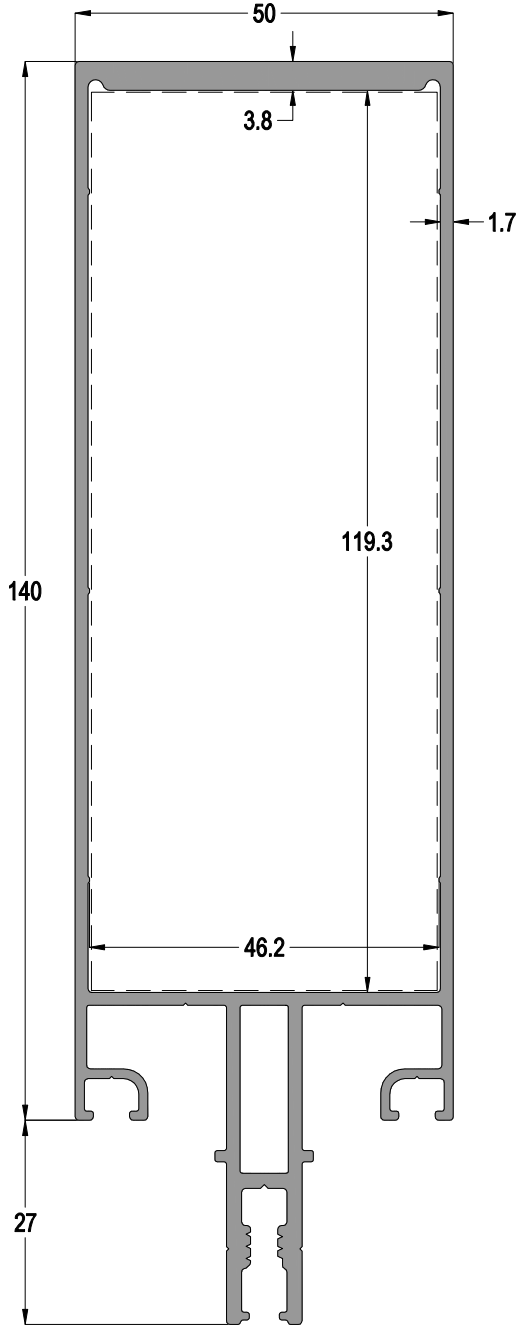


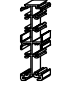
FC50-015-17	Jx cm⁴	Jy cm⁴
	209,67	29,23
	AĞIRLIK / Weight	
 AW4598	2,348 kg/mt	

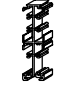
FC50-115-17	Jx cm⁴	Jy cm⁴
	213,92	30,80
	AĞIRLIK / Weight	
 AW4598	2,454 kg/mt	

FC50

CEPHE SİSTEMİ
FACADE SYSTEM

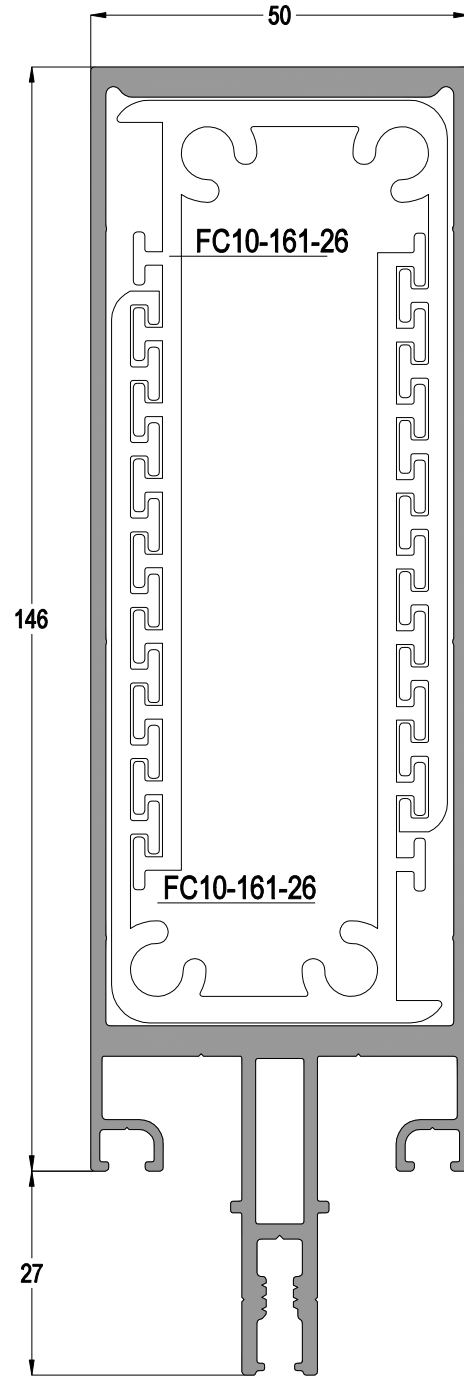
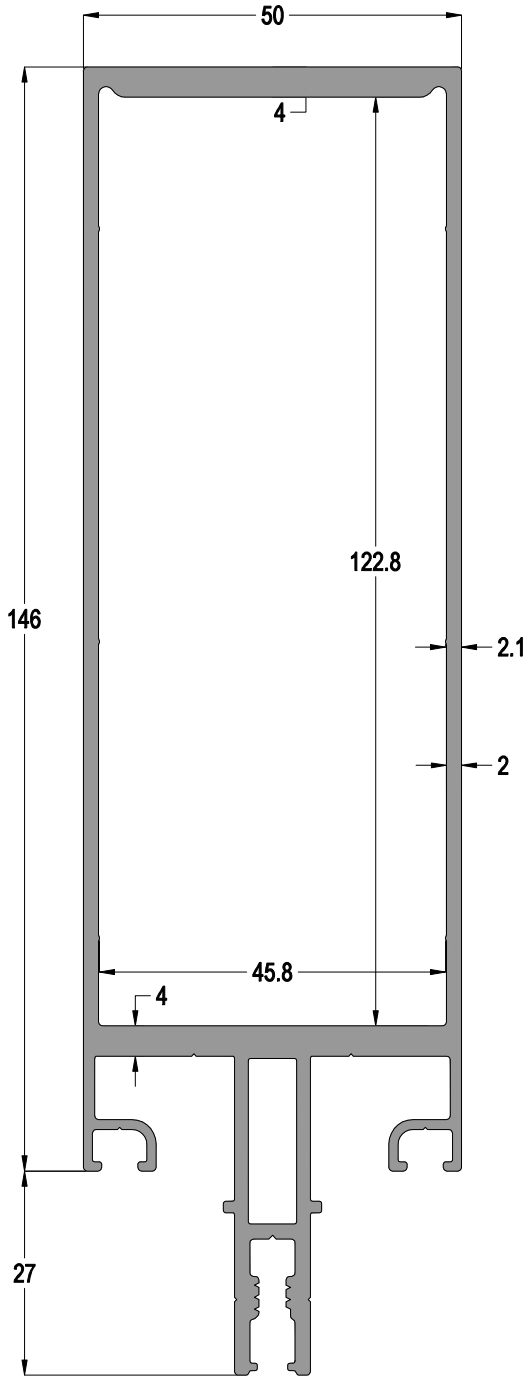


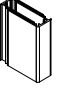
FC50-016-17	Jx cm ⁴	Jy cm ⁴
	300,08	33,28
 AW4518	AĞIRLIK / Weight	
	2,561 kg/mt	

FC50-017-18	Jx cm ⁴	Jy cm ⁴
	522,65	43,62
 AW4512	AĞIRLIK / Weight	
	3,782 kg/mt	

FC50

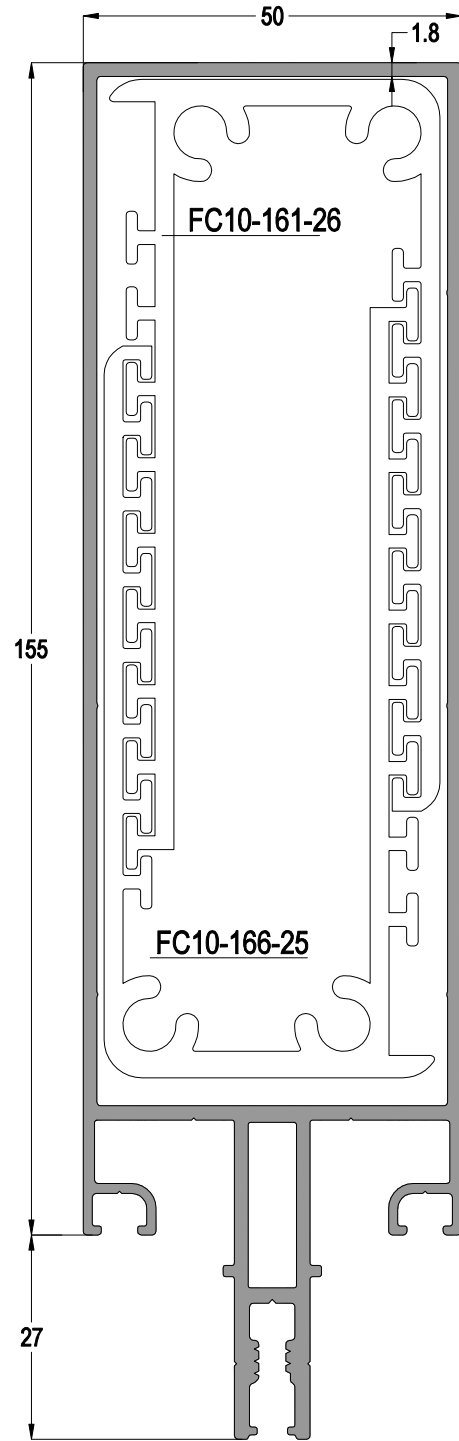
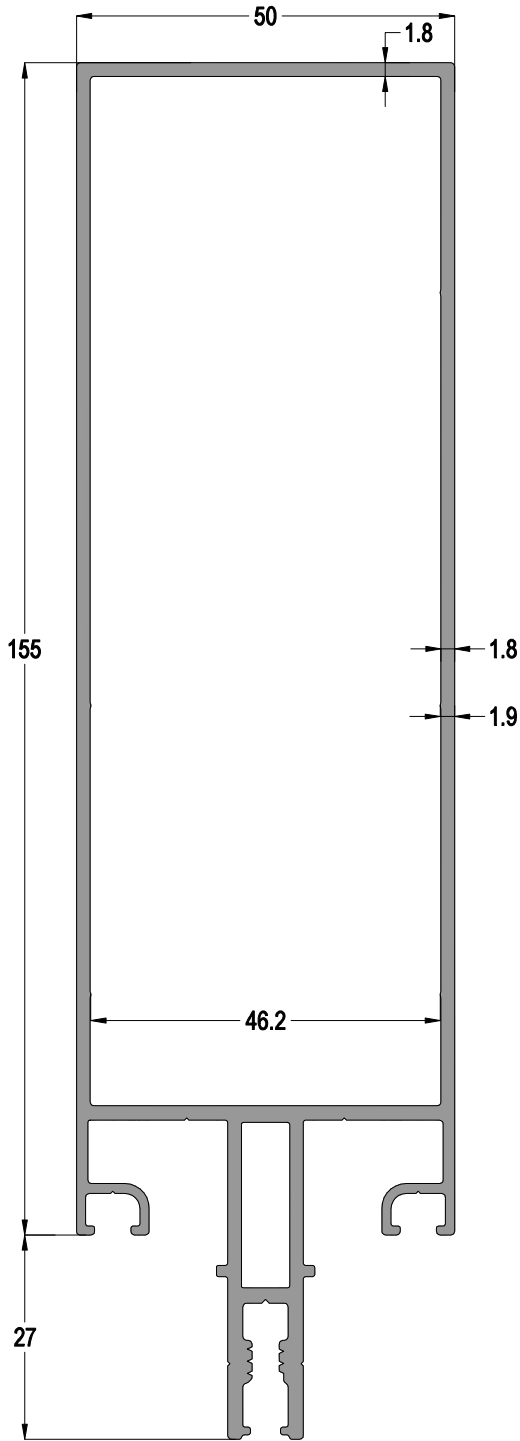
CEPHE SİSTEMİ
FACADE SYSTEM

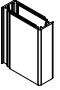


FC50-018-20	Jx cm ⁴	Jy cm ⁴
	368,44	40,50
 (FC10-161-26)X2_250MM	AĞIRLIK / Weight	
	3,135 kg/mt	

NOT: KAT ARASI UYGULAMALAR İÇİN KULLANILMASI ÖNERİLİR,
That profiler are not suitable for multi-floor building, must be use single floor height.

Profil ağırlıklarımız teorik olup; teslim anındaki tartımız geçerlidir.



FC50-006-18	Jx cm*	Jy cm*
	316,44	36,45
 (FC10-161-25)X2_250MM	AĞIRLIK / Weight	
	2,563 kg/mt	

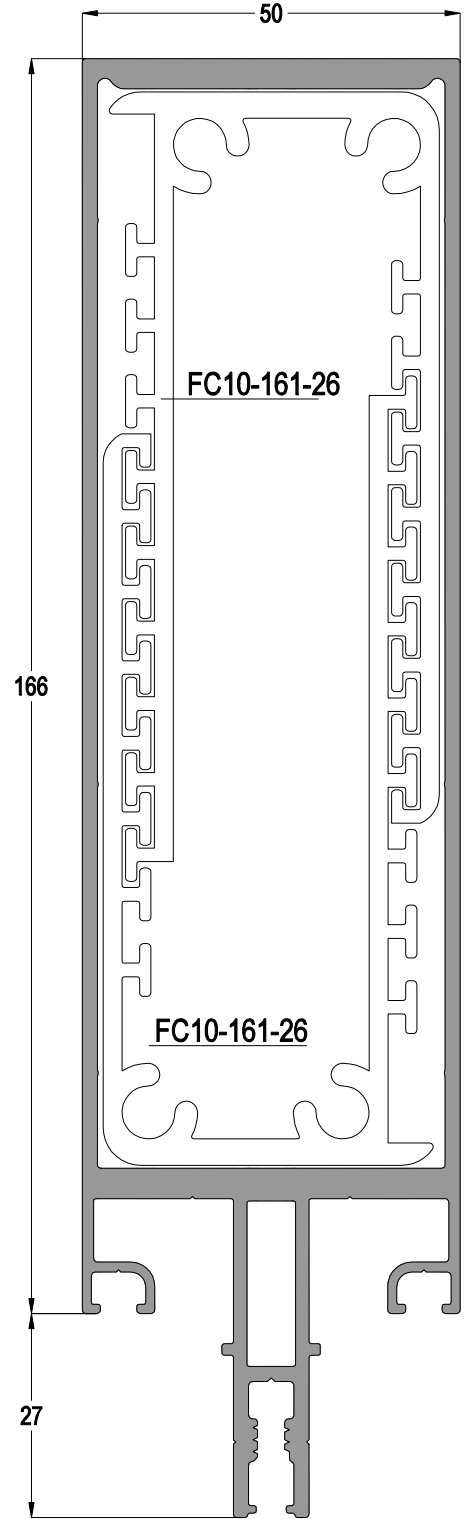
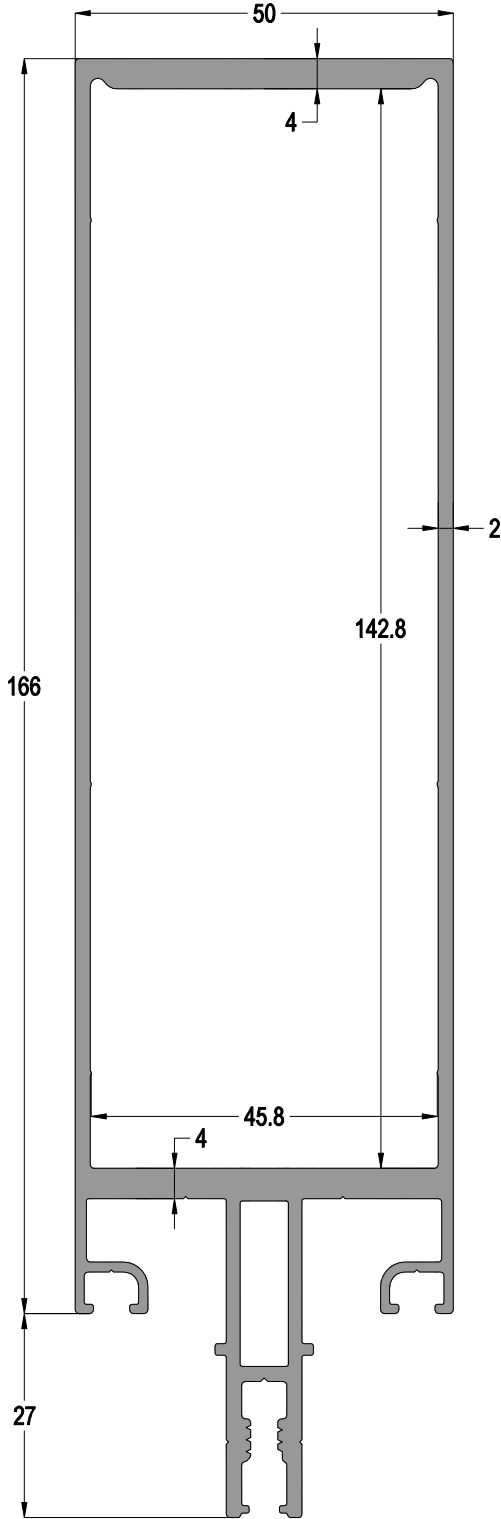
NOT: KAT ARASI UYGULAMALAR İÇİN KULLANILMASI ÖNERİLİR,
That profiler are not suitable for multi-floor building, must be use single floor height.


Profil ağırlıklarımız teorik olup; teslim anındaki tartımız geçerlidir.

FC50

CEPHE SİSTEMİ
FACADE SYSTEM

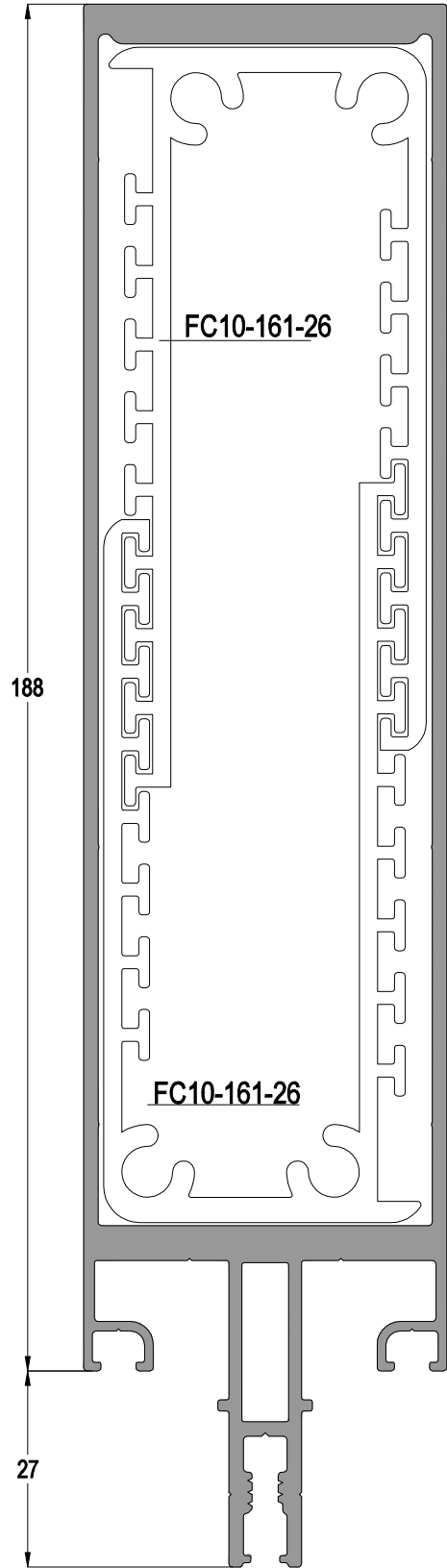
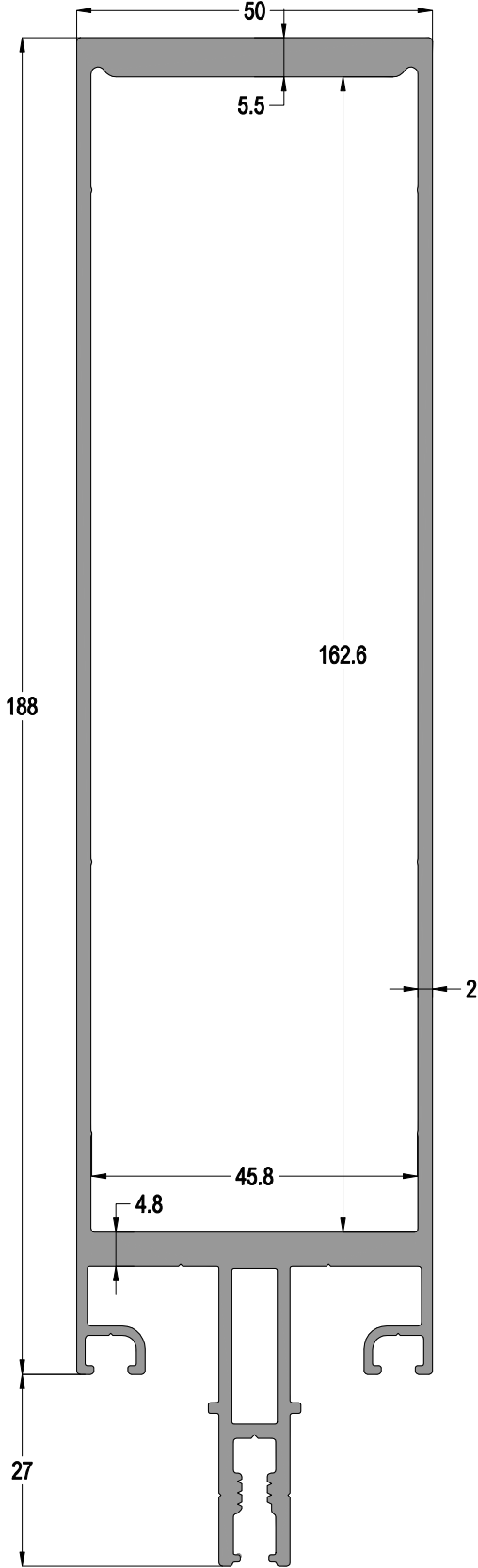
ASISTAL

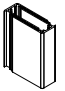


FC50-019-20	Jx cm ⁴	Jy cm ⁴
	497,91	45,11
 (FC10-161-25)X2_250MM	AĞIRLIK / Weight	
	3,352 kg/mt	

NOT: KAT ARASI UYGULAMALAR İÇİN KULLANILMASI ÖNERİLİR,
That profiler are not suitable for multi-floor building, must be use single floor height.

Profil ağırlıklarımız teorik olup; teslim anındaki tartımız geçerlidir.



FC50-020-20	Jx cm ⁴	Jy cm ⁴
	755,29	52,07
 (FC10-161-26)X2_250MM	AĞIRLIK / Weight	
	3,878 kg/mt	

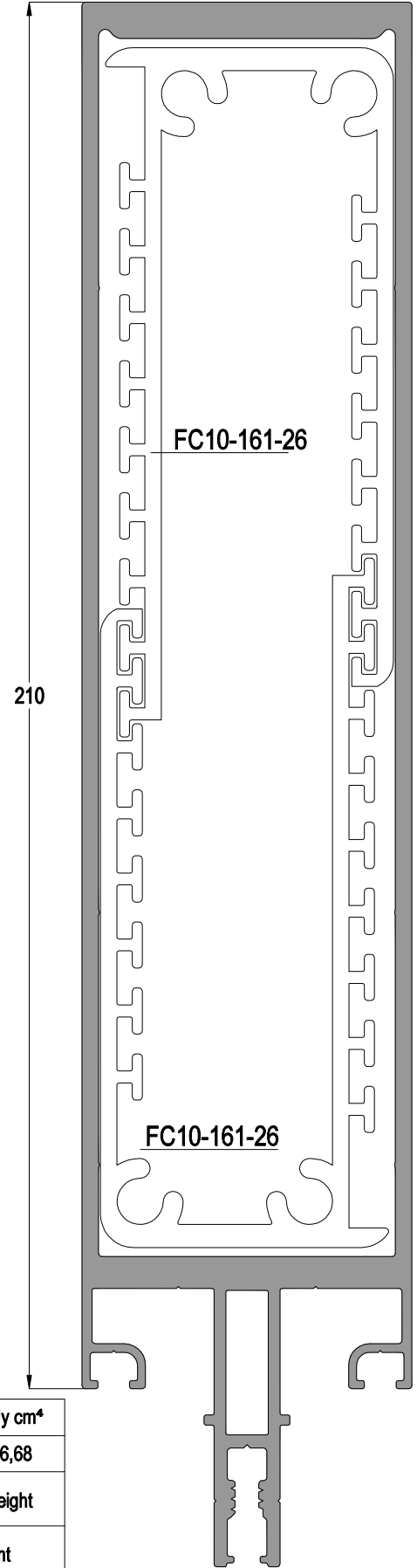
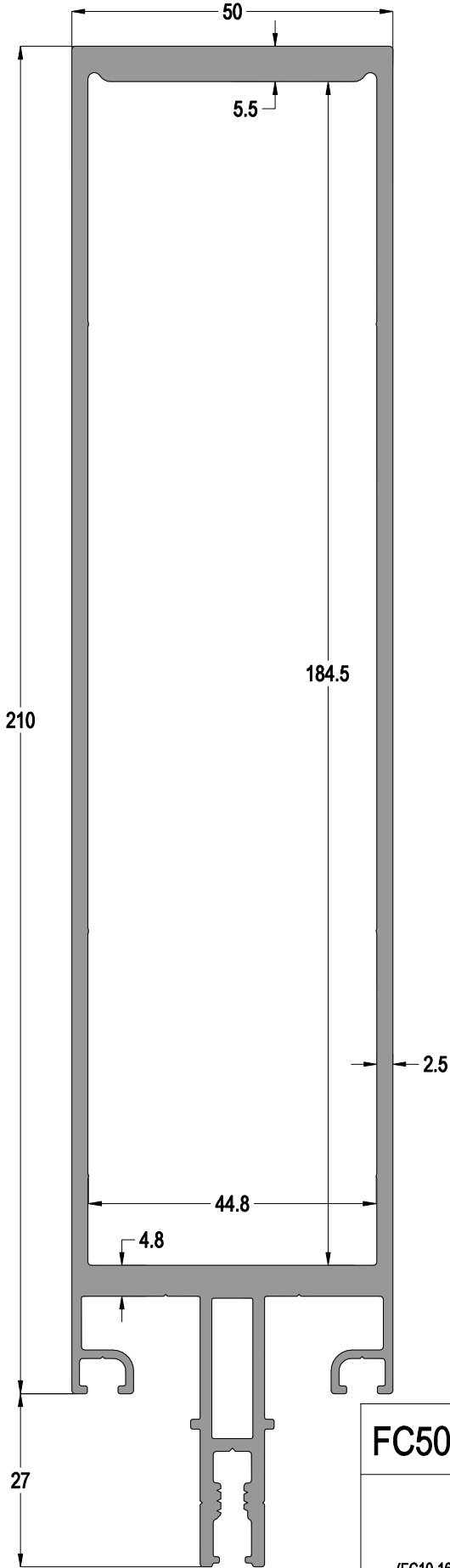
NOT: KAT ARASI UYGULAMALAR İÇİN KULLANILMASI ÖNERİLİR,
That profil are not suitable for multi-floor building, must be use single floor height.

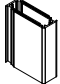
Profil ağırlıklarımız teorik olup; teslim anındaki tartımız geçerlidir.

FC50

CEPHE SİSTEMİ
FACADE SYSTEM

ASISTAL



FC50-021-25	Jx cm ⁴	Jy cm ⁴
	1037,63	66,68
 (FC10-161-26)X2_250MM	AĞIRLIK / Weight	
	4,615 kg/mt	

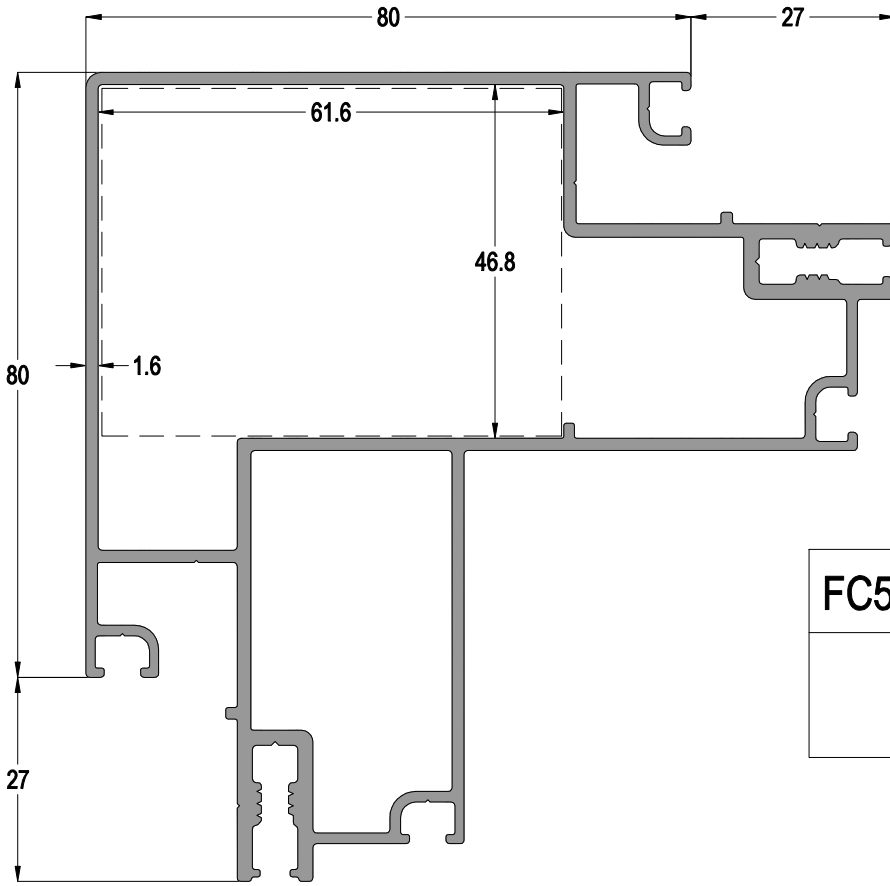
NOT: KAT ARASI UYGULAMALAR İÇİN KULLANILMASI ÖNERİLİR,
That profiler are not suitable for multi-floor building, must be use single floor height.


Profil ağırlıklarımız teorik olup; teslim anındaki tartımız geçerlidir.

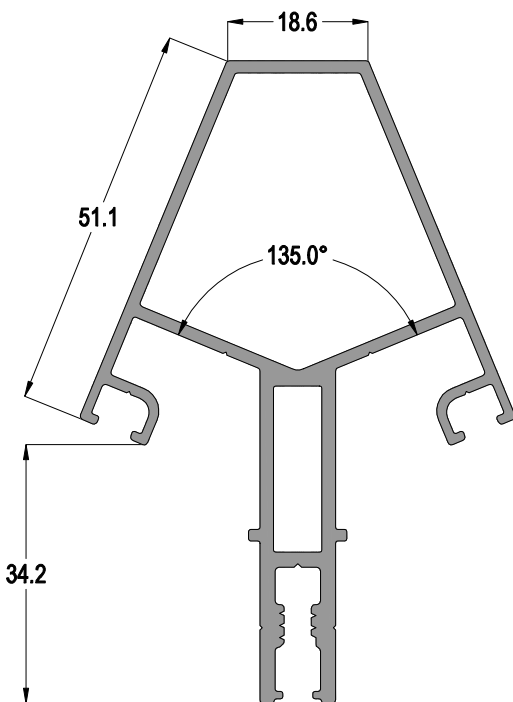
FC50

CEPHE SİSTEMİ
FACADE SYSTEM

ASISTAL



FC50-111-16	Jx cm ⁴	Jy cm ⁴
	101,16	98,93
 AW4560	AĞIRLIK / Weight	
	2,571 kg/mt	

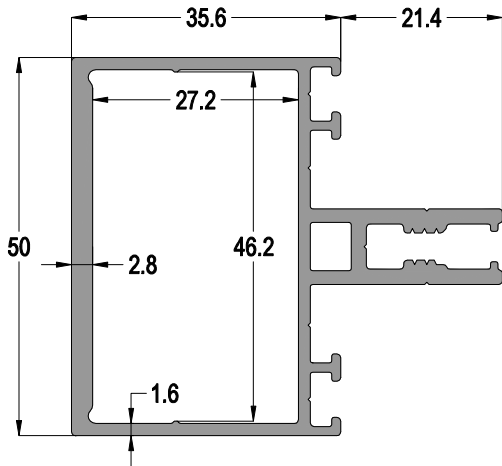





FC50-112-16	Jx cm ⁴	Jy cm ⁴
	25,97	8,92
	AĞIRLIK / Weight	
	1,348 kg/mt	

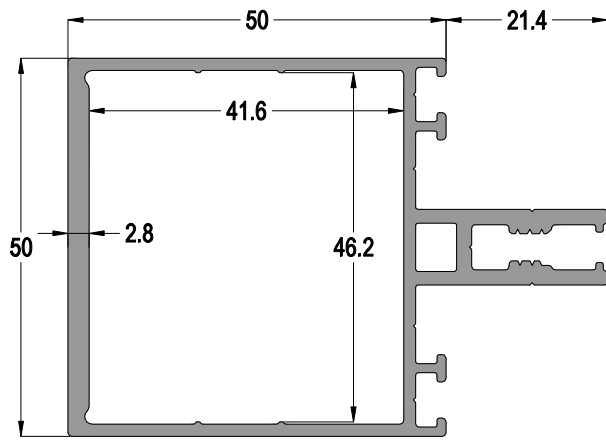
FC50




CEPHE SİSTEMİ
FACADE SYSTEM

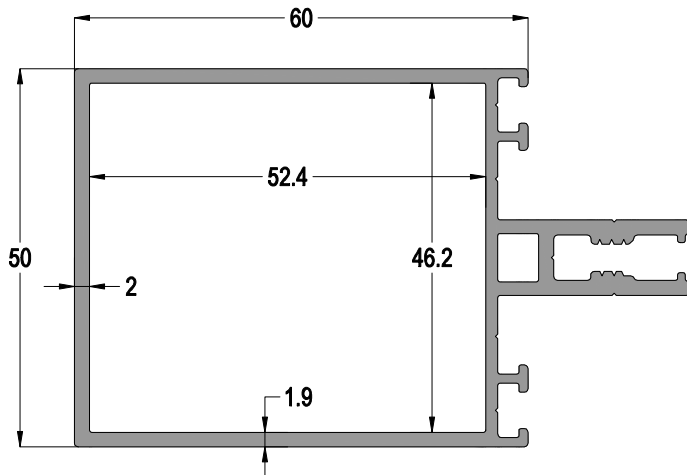
ASISTAL






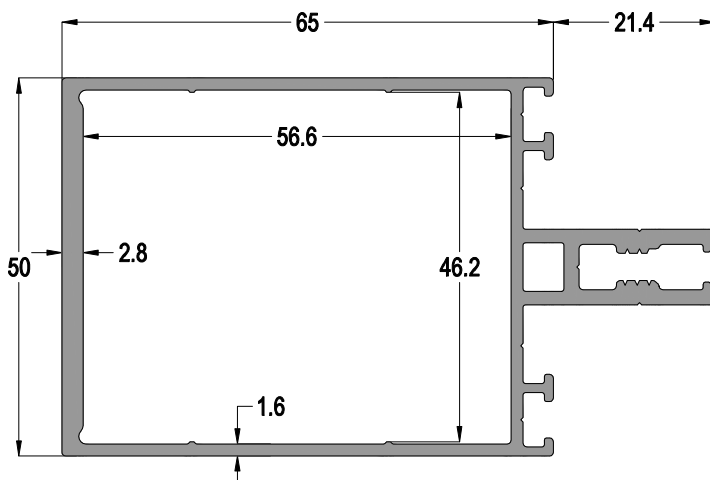
FC50-211-16			Jx cm ⁴	Jy cm ⁴
			14,43	10,90
 AW0725-TK ASI-YK 150	 AW0725	 AW4526	AĞIRLIK / Weight	
			1,241 kg/mt	






FC50-212-16			Jx cm ⁴	Jy cm ⁴
			27,35	13,62
 AW0741-TK ASI-YK 150	 AW0741 GC2-050	 AW4541	AĞIRLIK / Weight	
			1,367 kg/mt	



FC50-213-18			Jx cm ⁴	Jy cm ⁴
			35,96	16,54
 AW0752-TK ASI-YK 150	 AW0752 GC2-065	 AW4552	AĞIRLIK / Weight	
			1,439 kg/mt	



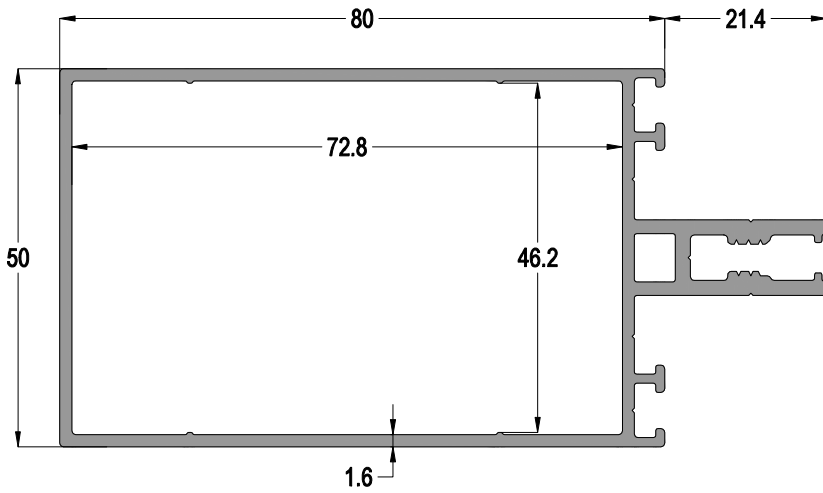
FC50-313-16			Jx cm ⁴	Jy cm ⁴
			46,33	16,43
 AW0756-TK GC-65	 AW0756 GC2-065	 AW4556	AĞIRLIK / Weight	
			1,497 kg/mt	




Profil ağırlıklarımız teorik olup; teslim anındaki tartımız geçerlidir.

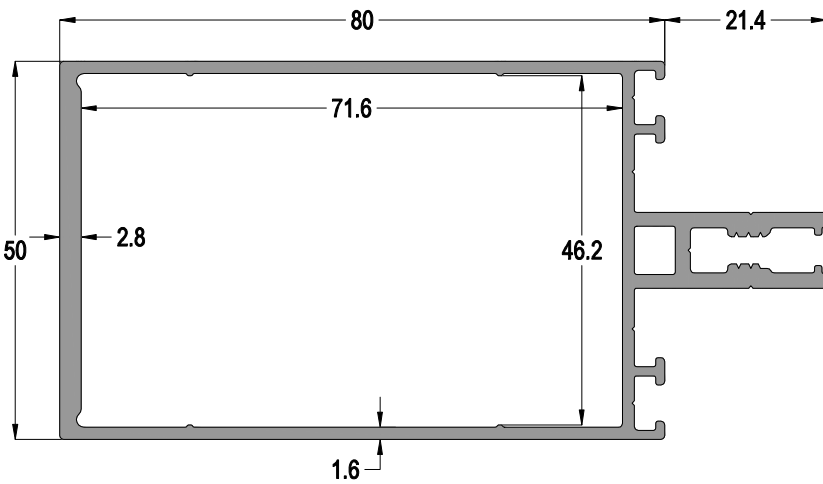
FC50




CEPHE SİSTEMİ
FACADE SYSTEM

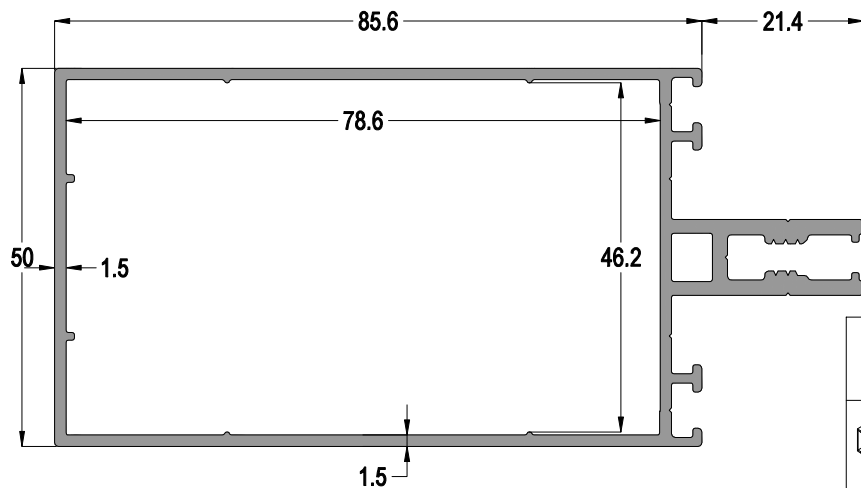
ASISTAL






FC50-007-16			Jx cm ⁴	Jy cm ⁴
			59,42	18,31
 AW0771-TK ASI-YK 150	 AW0771 GC2-080	 AW4571	AĞIRLIK / Weight	
			1,479 kg/mt	



FC50-213-16			Jx cm ⁴	Jy cm ⁴
			71,50	19,24
 AW0771-TK ASI-YK 150	 AW0771 GC2-080	 AW4571	AĞIRLIK / Weight	
			1,626 kg/mt	



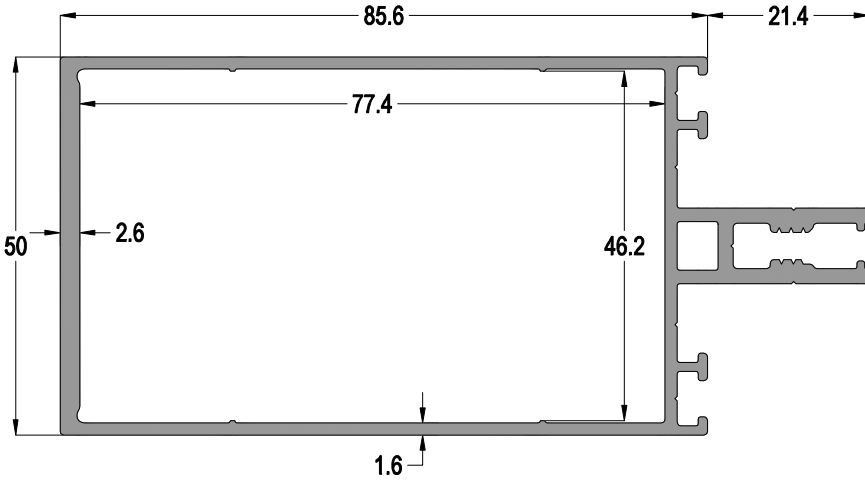
FC50-203-17			Jx cm ⁴	Jy cm ⁴
			66,76	18,38
 AW0766-TK ASI-HYK-80	 AW0766 GC2-080	 AW4571	AĞIRLIK / Weight	
			1,468 kg/mt	

Profil ağırlıklarımız teorik olup; teslim anındaki tartımız geçerlidir.

FC50

CEPHE SİSTEMİ
FACADE SYSTEM

ASISTAL



FC50-213-17

Jx cm⁴

Jy cm⁴

82,57

20,29



AW0766-TK
ASI-HYK-80



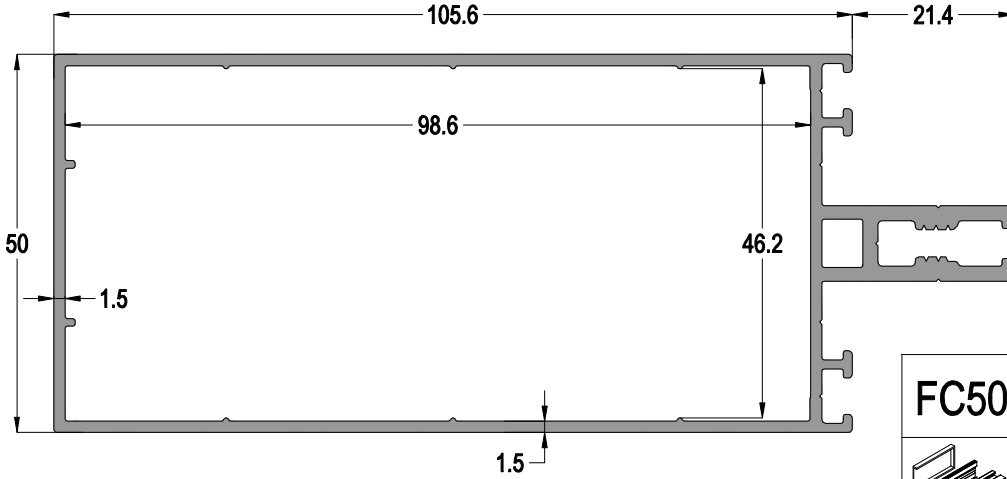
AW0766
GC2-080



AW4577

AĞIRLIK / Weight

1,652 kg/mt



FC50-204-16

Jx cm⁴

Jy cm⁴

106,62

21,94



AW0796-TK
ASI-HYK-100



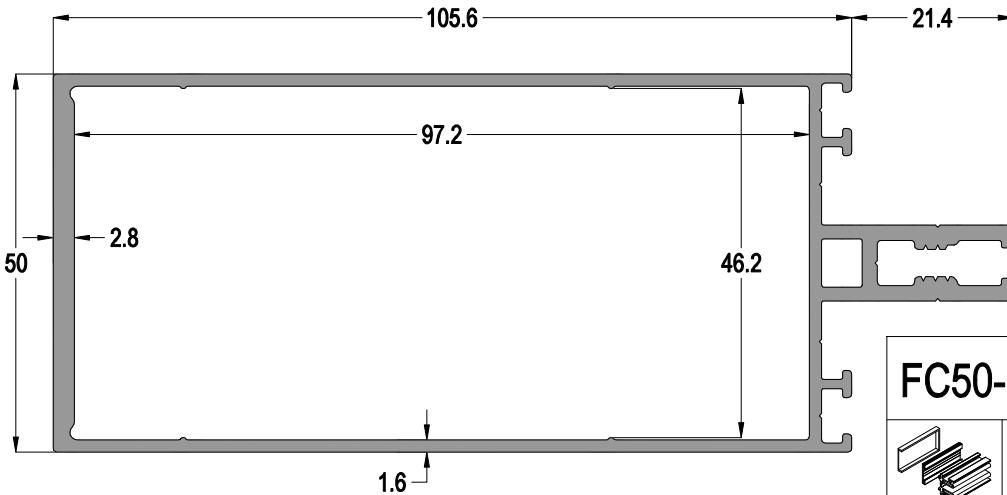
AW0796
GC2-105



AW4596

AĞIRLIK / Weight

1,633 kg/mt



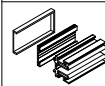
FC50-214-16

Jx cm⁴

Jy cm⁴

130,25

24,04



AW0796-TK
ASI-HYK-100



AW0796
GC2-105



AW4596

AĞIRLIK / Weight

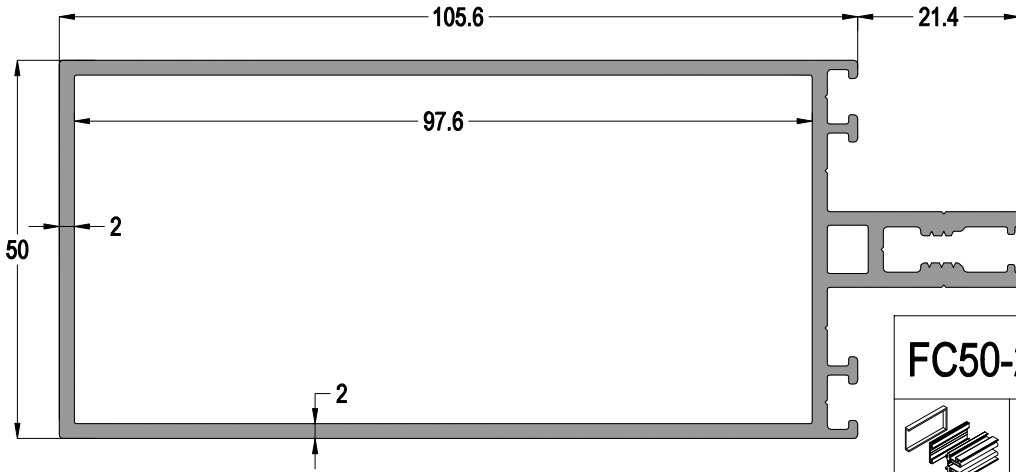
1,849 kg/mt

Profil ağırlıklarımız teorik olup; teslim anındaki tartımımız geçerlidir.

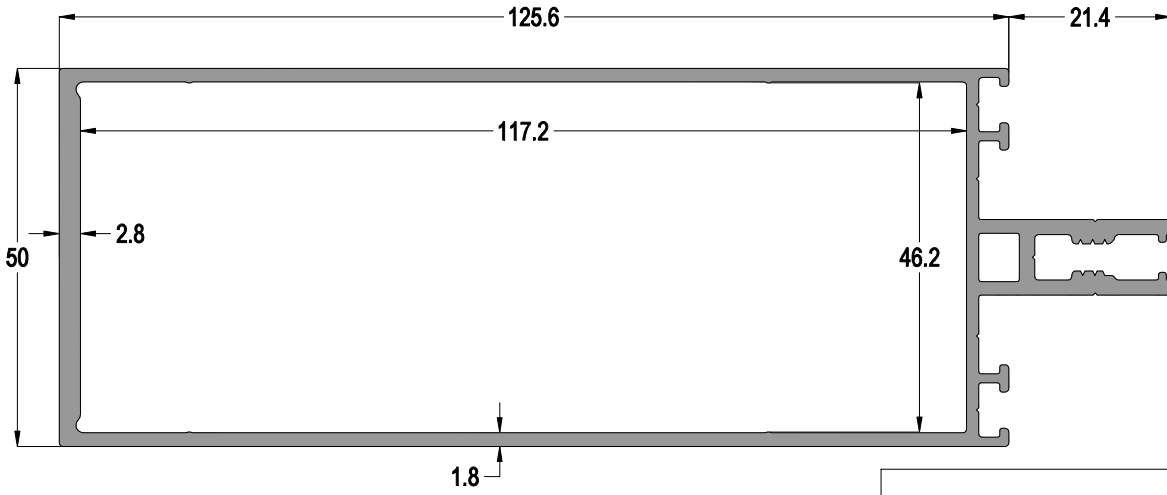
FC50

CEPHE SİSTEMİ
FACADE SYSTEM

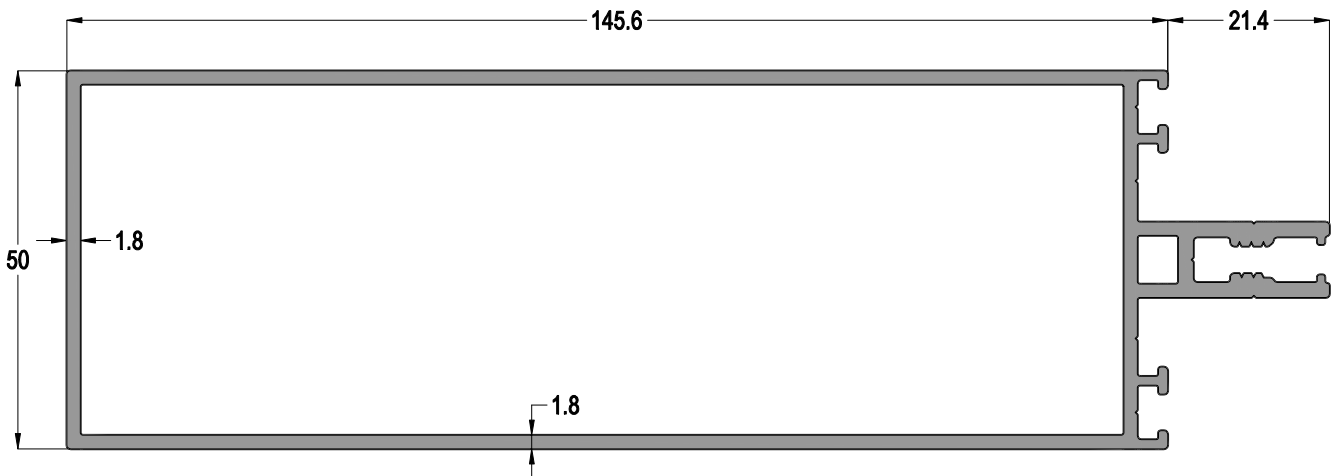
ASISTAL



FC50-214-20			Jx cm ⁴	Jy cm ⁴
			126,33	27,42
AĞIRLIK / Weight			1,985 kg/mt	
 AW0796-TK ASI-HYK-100	 AW0796 GC2-105	 AW4596		



FC50-215-16			Jx cm ⁴	Jy cm ⁴
			197,20	30,30
AĞIRLIK / Weight			2,148 kg/mt	
 AW0716-TK ASI-HYK-120	 AW0716 GC2-125	 AW4516		

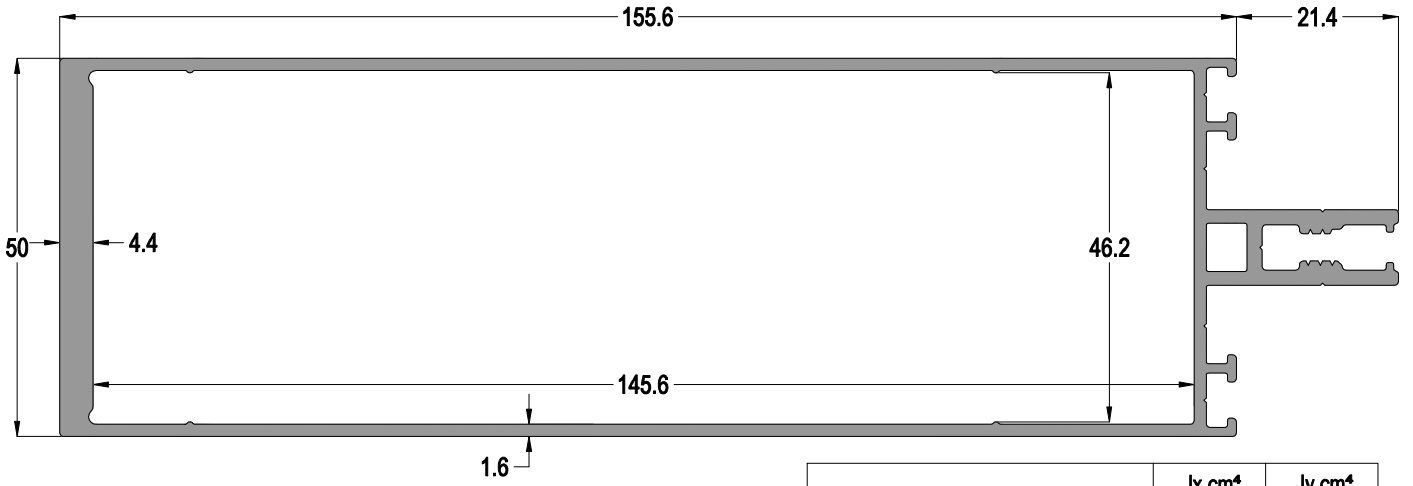





FC50-216-18			Jx cm ⁴	Jy cm ⁴
			250,23	33,89
AĞIRLIK / Weight			2,247 kg/mt	
 AW0738-TK ASI-HYK-150	 AW0738	 AW4538		

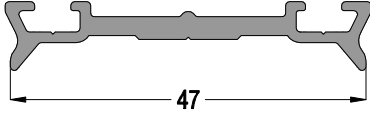
Profil ağırlıklarımız teorik olup; teslim anındaki tartımız geçerlidir.

FC50

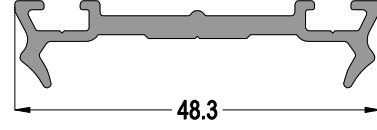
CEPHE SİSTEMİ
FACADE SYSTEM



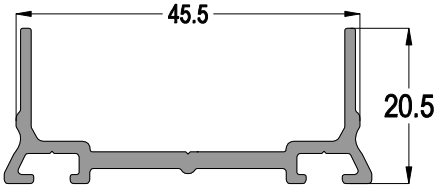
FC50-217-17		Jx cm ⁴	Jy cm ⁴
		359,28	34,78
 AW0745-TK ASI-HYK-150	 AW0745 —	 AW4514	AĞIRLIK / Weight
			2,485 kg/mt



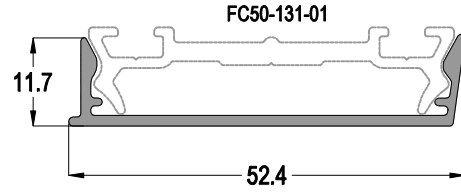
FC50-131-15
AĞIRLIK / Weight
0,392 kg/mt



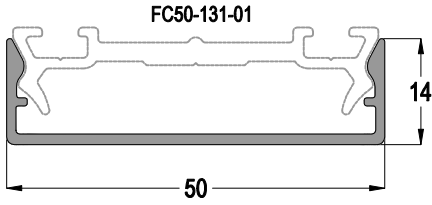
FC50-131-01
AĞIRLIK / Weight
0,421 kg/mt



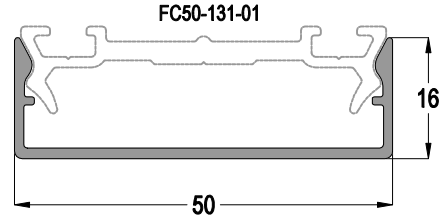
FC50-131-20
AĞIRLIK / Weight
0,452 kg/mt



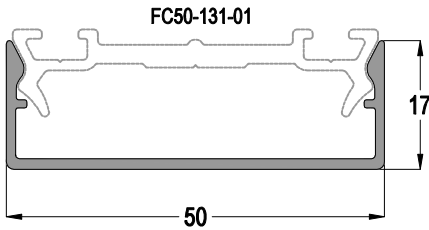
FC50-038-14
AĞIRLIK / Weight
0,284 kg/mt



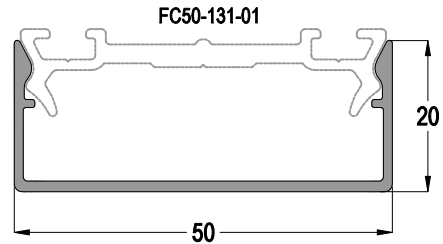
FC50-037-14
AĞIRLIK / Weight
0,296 kg/mt



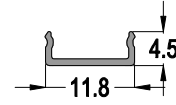
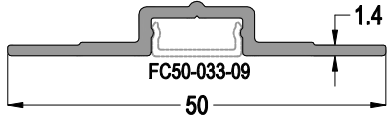
FC50-032-14
AĞIRLIK / Weight
0,309 kg/mt



FC50-031-14
AĞIRLIK / Weight
0,315 kg/mt

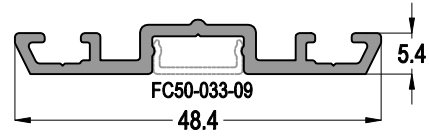
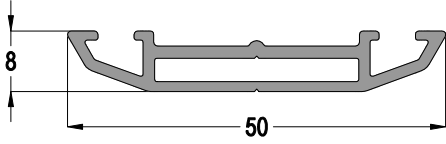


FC50-036-14
AĞIRLIK / Weight
0,335 kg/mt



FC50-132-14
AĞIRLIK / Weight
0,257 kg/mt

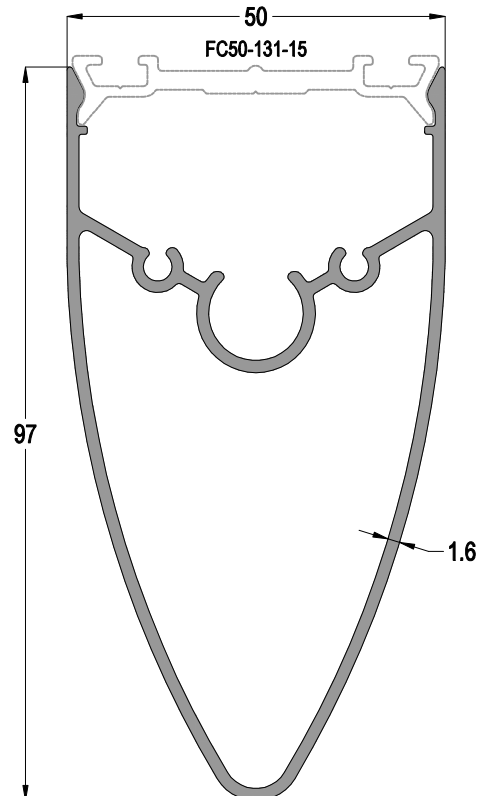
FC50-033-09
AĞIRLIK / Weight
0,043 kg/mt



FC50-139-16
AĞIRLIK / Weight
0,401 kg/mt

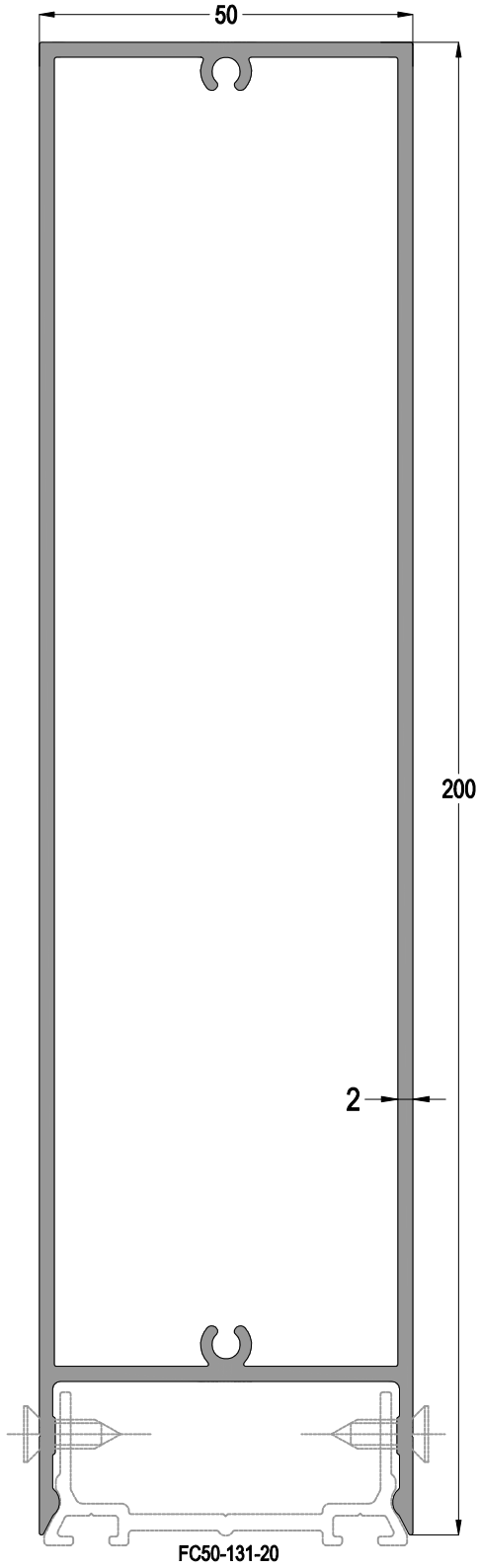
FC50-135-15
AĞIRLIK / Weight
0,322 kg/mt

FC50-035-14
AĞIRLIK / Weight
1,263 kg/mt

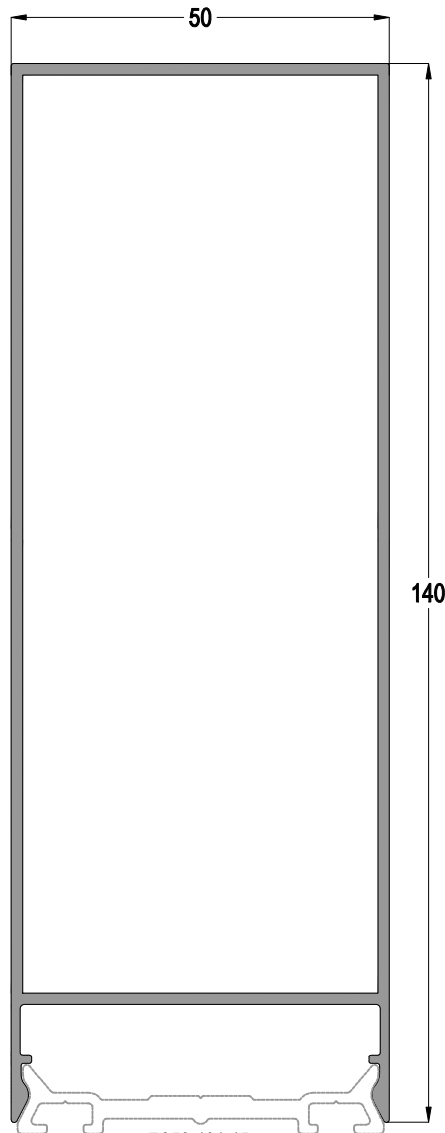


FC50

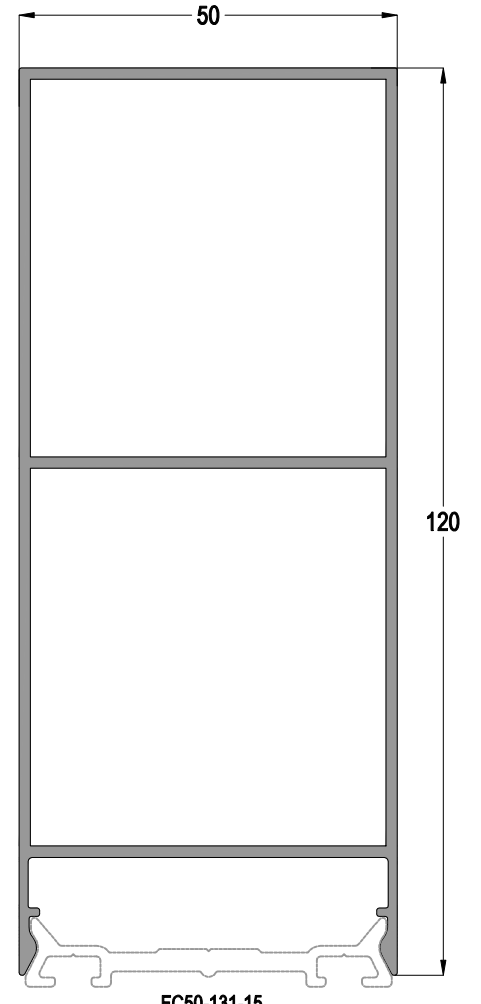
CEPHE SİSTEMİ
FACADE SYSTEM



FC50-131-20



FC50-131-15



FC50-131-15

FC50-200-20

AĞIRLIK / Weight

2,750 kg/mt

FC50-140-15

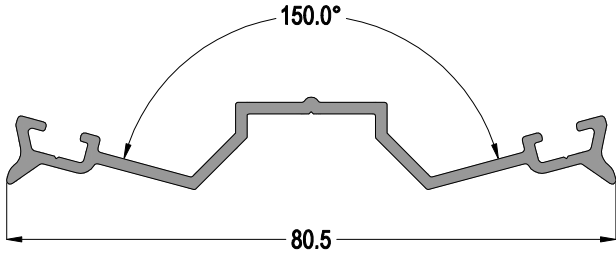
AĞIRLIK / Weight

1,520 kg/mt

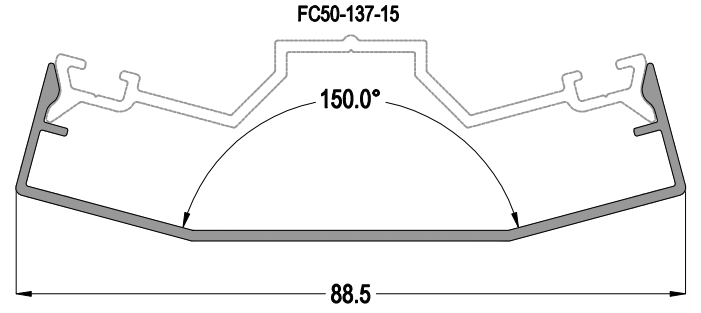
FC50-138-15

AĞIRLIK / Weight

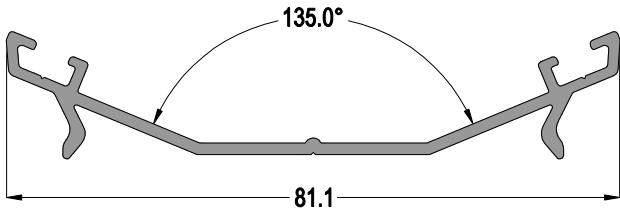
1,547 kg/mt



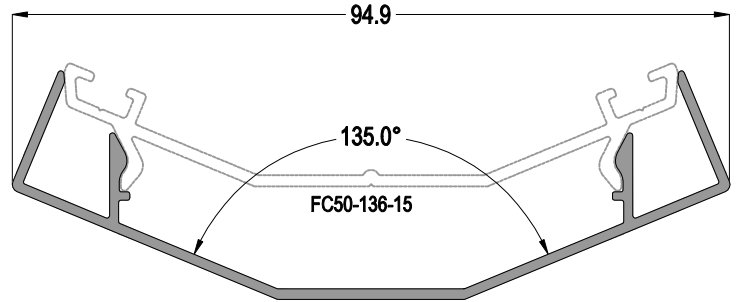
FC50-137-15
AĞIRLIK / Weight
0,486 kg/mt



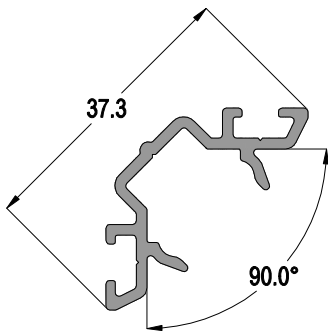
FC50-037-15
AĞIRLIK / Weight
0,486 kg/mt



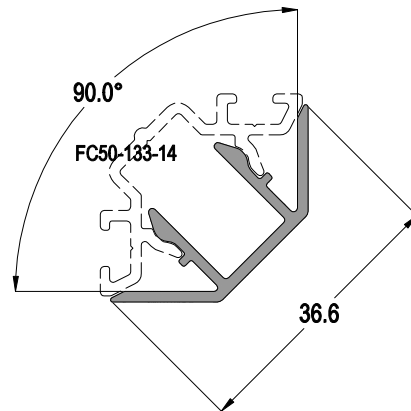
FC50-136-15
AĞIRLIK / Weight
0,514 kg/mt



FC50-136-14
AĞIRLIK / Weight
0,570 kg/mt



FC50-133-14
AĞIRLIK / Weight
0,305 kg/mt

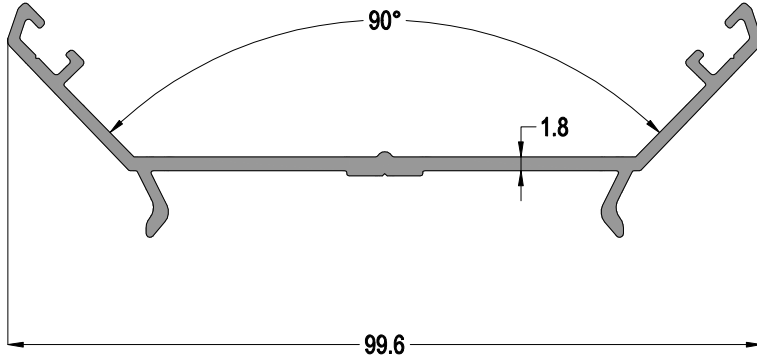


FC50-034-15
AĞIRLIK / Weight
0,278 kg/mt

FC50

CEPHE SİSTEMİ
FACADE SYSTEM

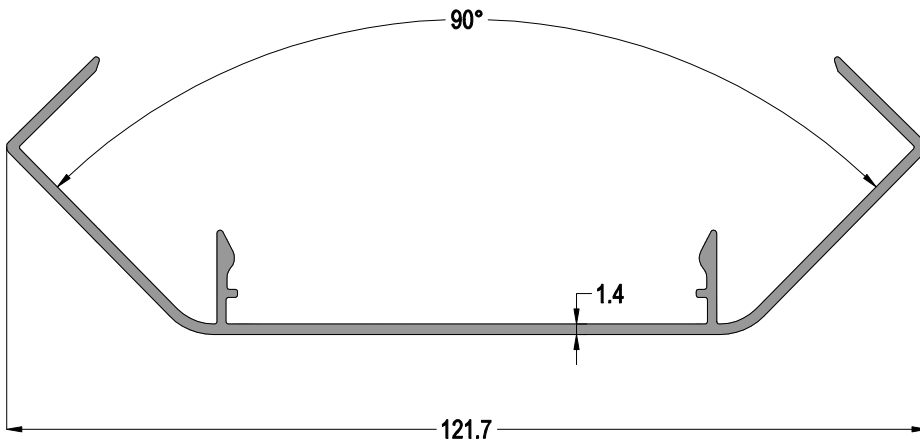
ASISTAL



FC50-131-16

AĞIRLIK / Weight

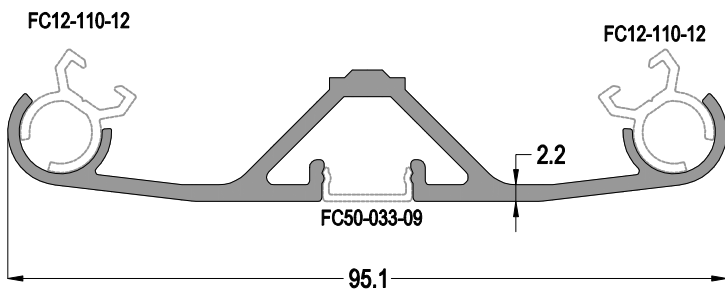
0,724 kg/mt



FC50-131-17

AĞIRLIK / Weight

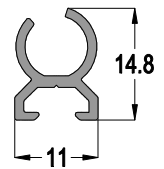
0,759 kg/mt



FC50-039-20

AĞIRLIK / Weight

0,867 kg/mt



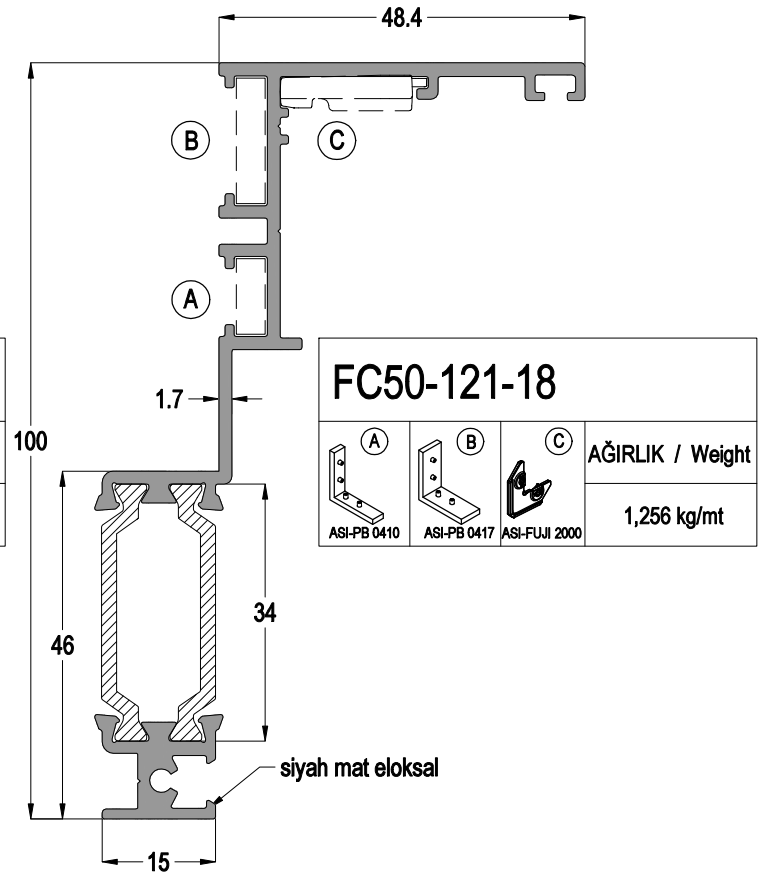
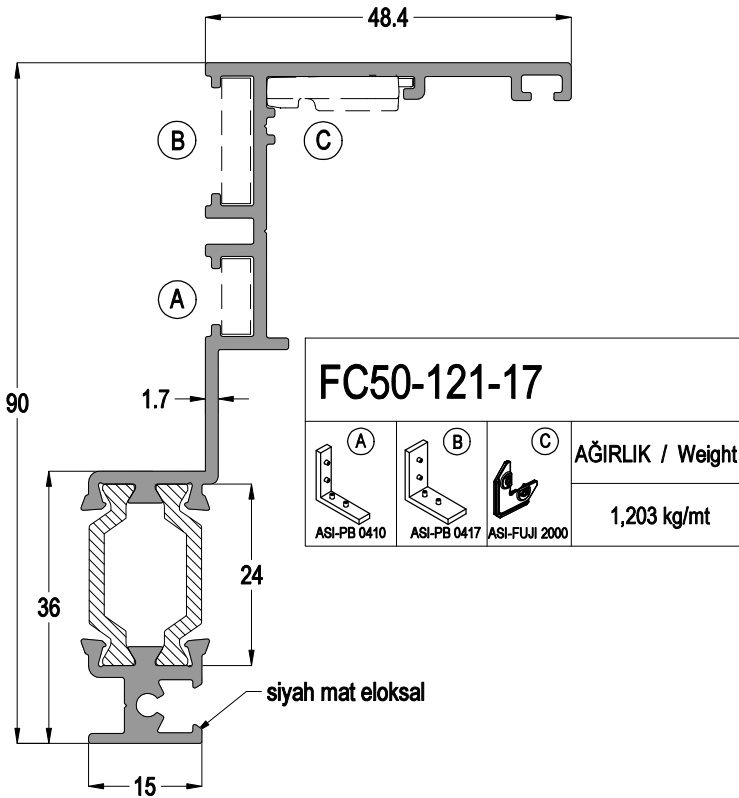
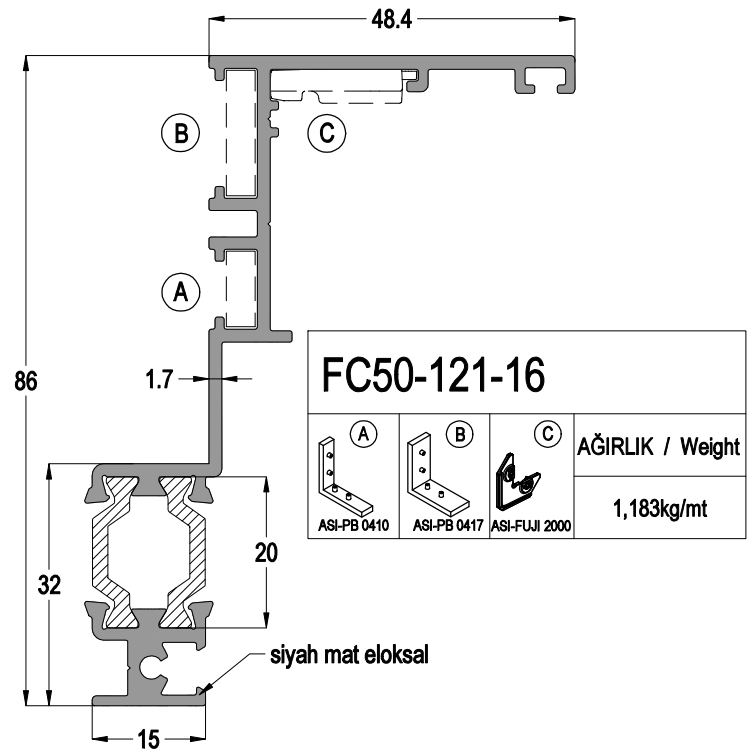
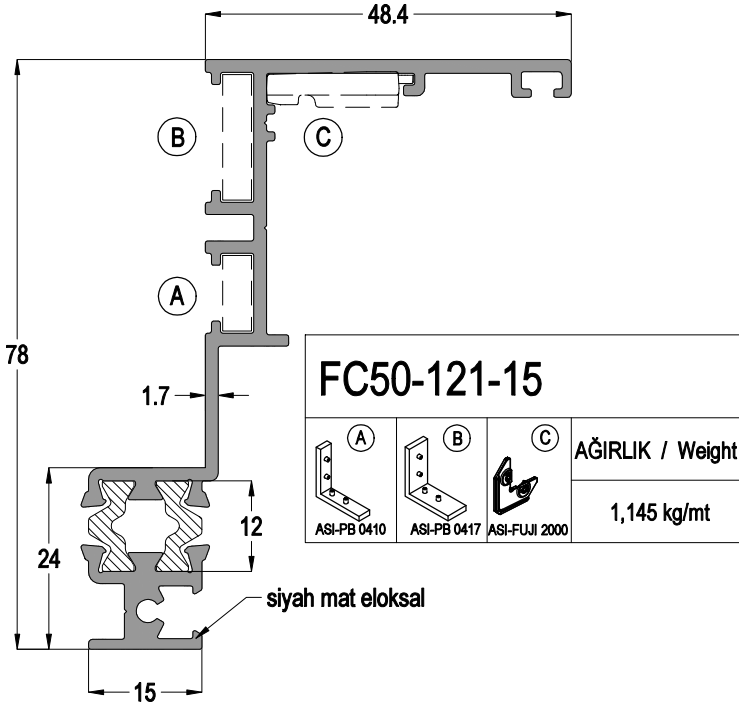
FC12-110-12

AĞIRLIK / Weight

0,132 kg/mt

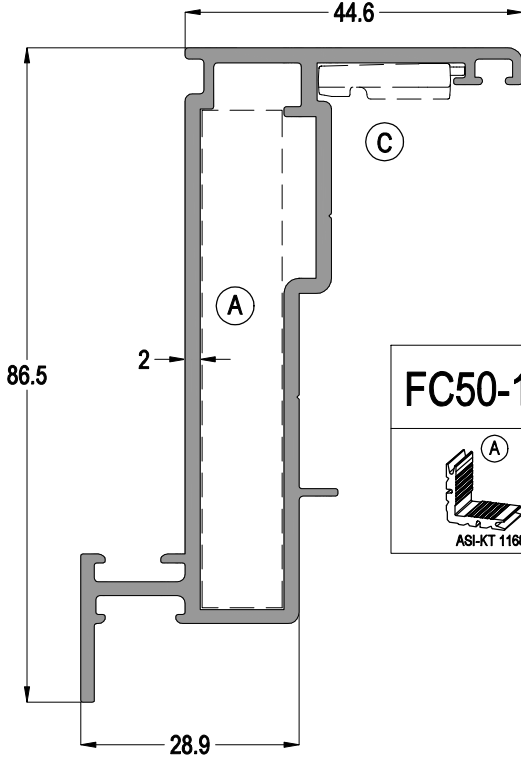




FC50-AS1-Kapaklı Cephe Kasaları / COVER CURTAIN WALL FRAME



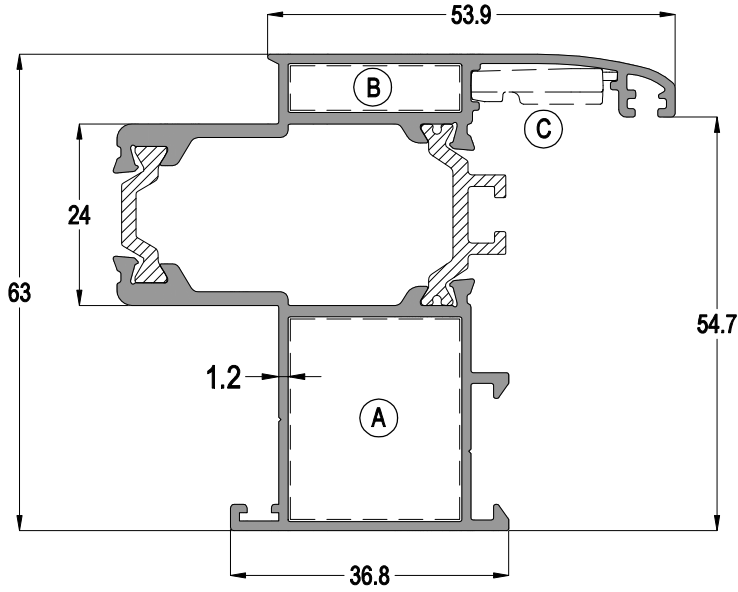


FC50-AS1-Kapaklı Cephe Kasaları / COVER CURTAIN WALL FRAME



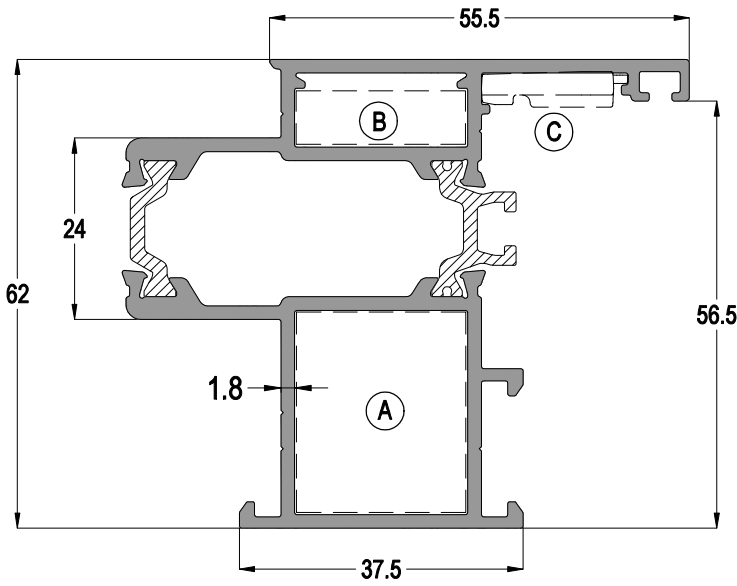
FC50-122-23		
		AĞIRLIK / Weight
ASI-KT 1168	ASI-FUJI 2000	1,337 kg/mt

FC50-AS1-Kapaklı Cephe Kasaları / COVER CURTAIN WALL FRAME



TE62 47

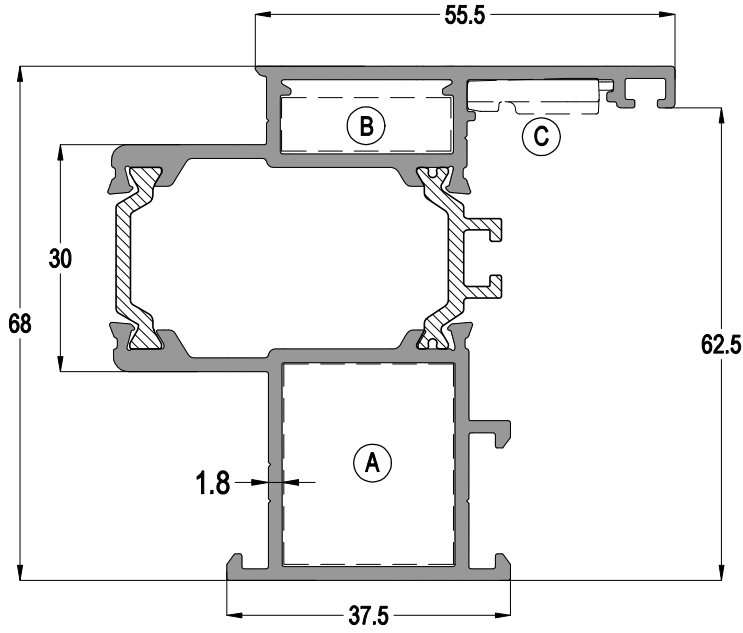
			AĞIRLIK / Weight
			1,413 kg/mt



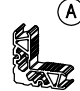

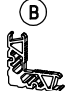
TH62 47

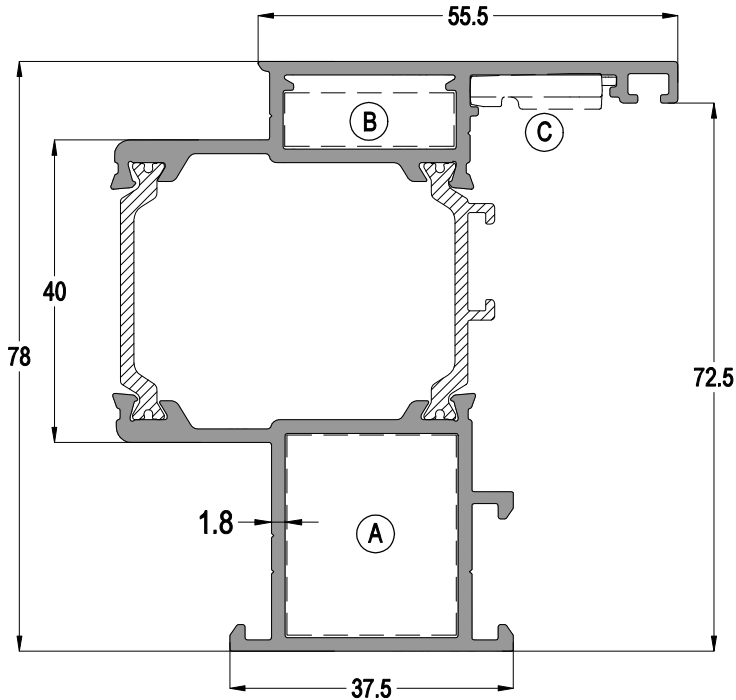
			AĞIRLIK / Weight
			1,699 kg/mt

FC50-AS1-Kapaklı Cephe Kasaları / COVER CURTAIN WALL FRAME

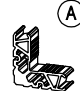

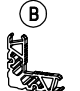


TH68 47

			AĞIRLIK / Weight 1,736 kg/mt
ASI-KT 2660 ~ ASI-PB 2326	ASI-KT 2308	ASI-FUJI 2000	

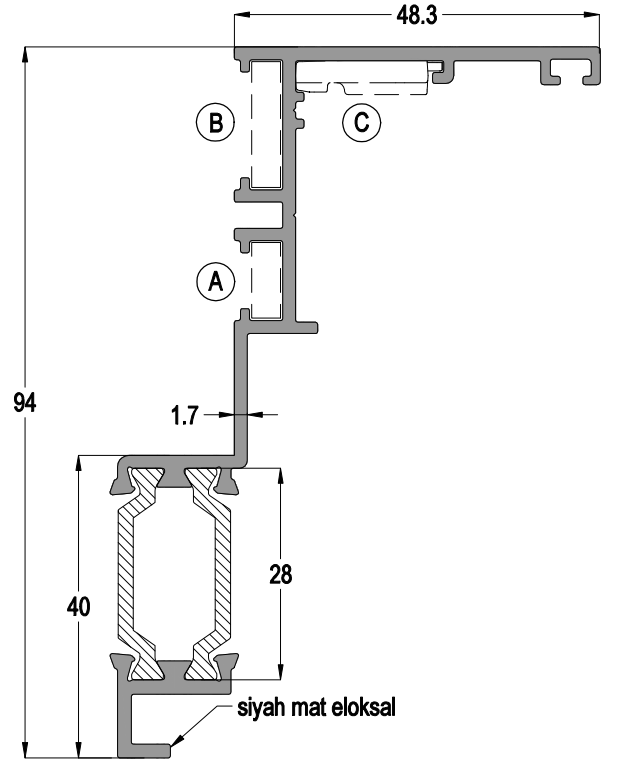
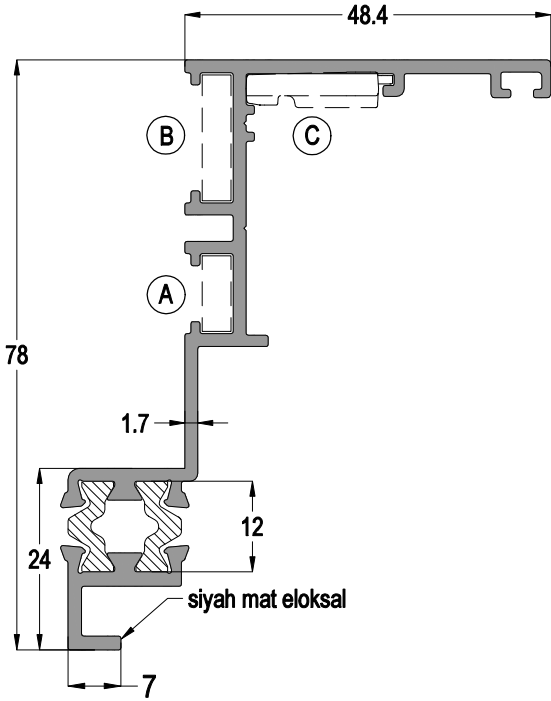


TH78 47

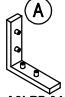
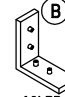

			AĞIRLIK / Weight 1,768 kg/mt
ASI-KT 2660 ~ ASI-PB 2326	ASI-KT 2308	ASI-FUJI 2000	



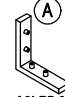
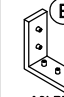

FC50-AS2-Yarı Kapaklı Cephe Kapı Ve Pencere Kasaları / SEMI COVER CURTAIN WALL FRAME



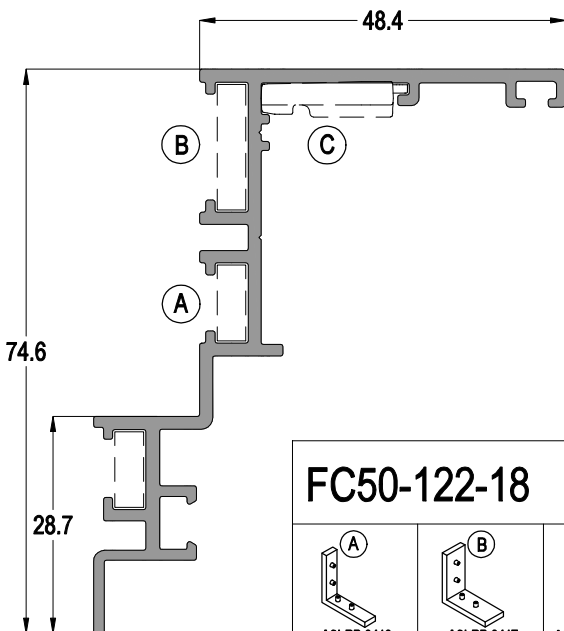
FC50-221-15

			AĞIRLIK / Weight
ASI-PB 0410	ASI-PB 0417	ASI-FUJI 2000	1,085 kg/mt

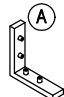
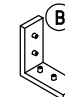

FC50-221-16

			AĞIRLIK / Weight
ASI-PB 0410	ASI-PB 0417	ASI-FUJI 2000	1,165 kg/mt

FC50-AS4_AS5-Ekonomik Slikon Cephe Kasası / ECO STRUCTUREL SLICONE FRAME

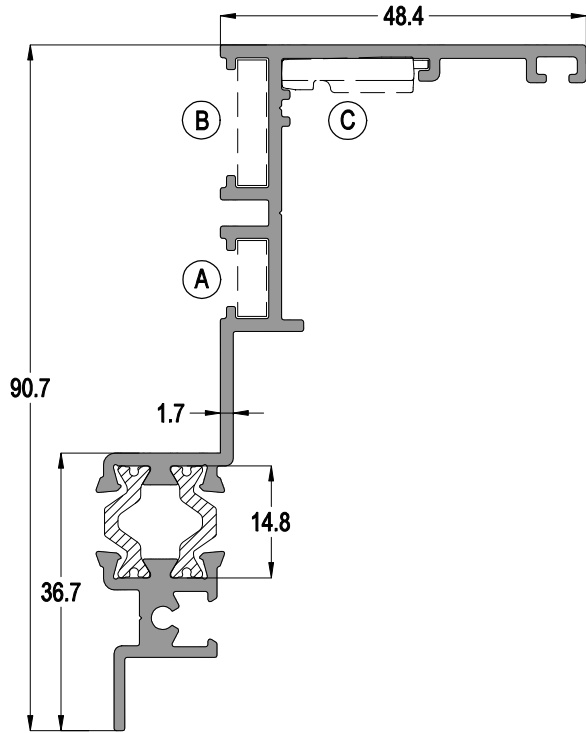


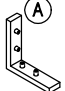
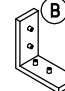

FC50-122-18

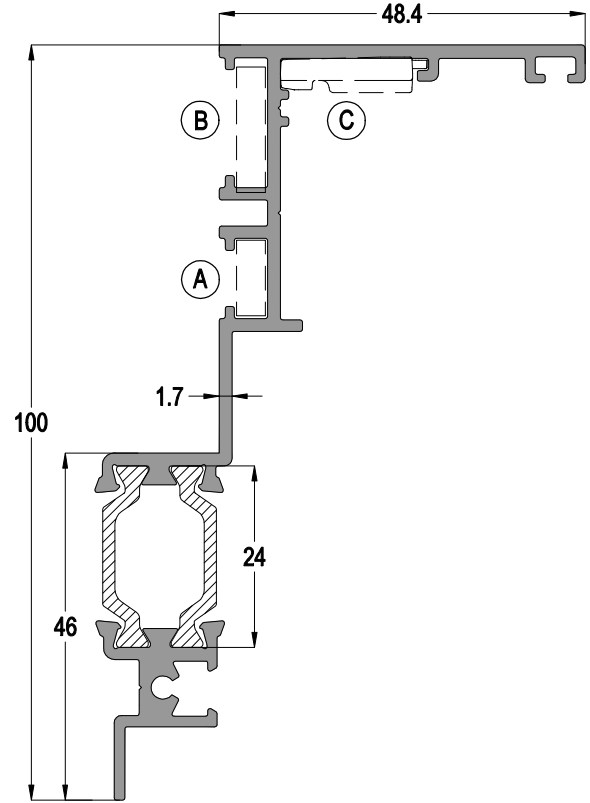
			AĞIRLIK / Weight
ASI-PB 0410	ASI-PB 0417	ASI-FUJI 2000	0,893 kg/mt

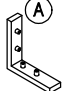
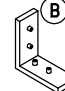



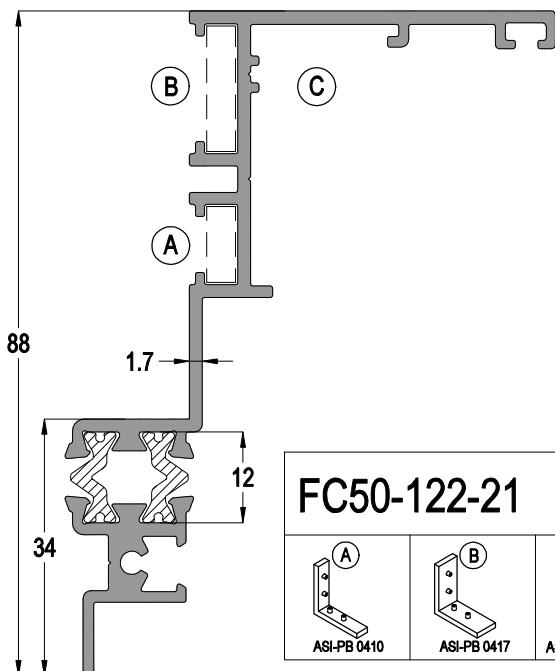
FC50-AS5-Ekonomik Silikon Cephe Kasası / ECO STRUCTUREL SLICONE FRAME

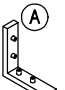
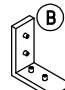



FC50-122-20			
			AĞIRLIK / Weight
ASI-PB 0410	ASI-PB 0417	ASI-FUJI 2000	1,128 kg/mt



FC50-122-19			
			AĞIRLIK / Weight
ASI-PB 0410	ASI-PB 0417	ASI-FUJI 2000	1,223 kg/mt

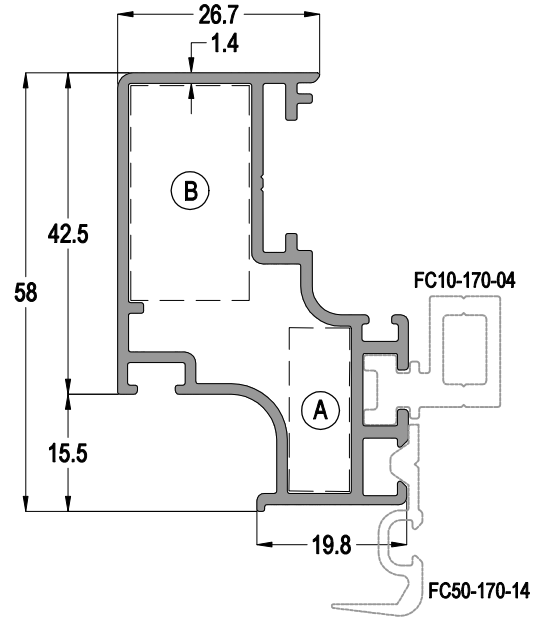
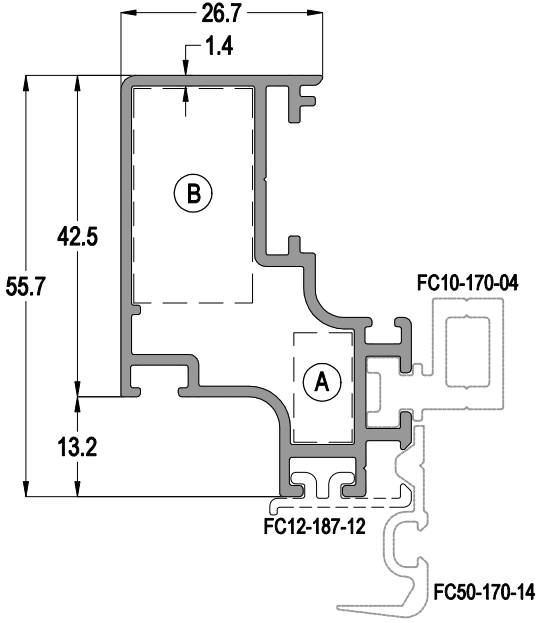


FC50-122-21			
			AĞIRLIK / Weight
ASI-PB 0410	ASI-PB 0417	ASI-FUJI 2000	1,161 kg/mt



FC50

CEPHE SİSTEMİ
FACADE SYSTEM



ASISTAL

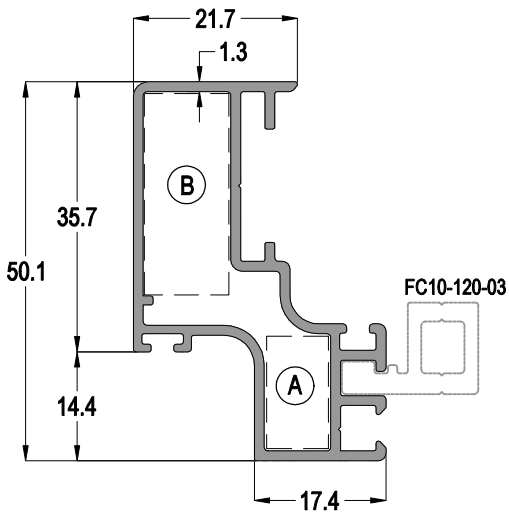


FC50-021-15


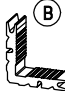
 ASI-KT 0815	 ASI-KT 1628	AĞIRLIK / Weight
		0,841 kg/mt

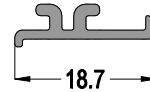
FC50-022-15 (Sadece Mat Eloksal)

 ASI-KT 0822	 ASI-KT 1628	AĞIRLIK / Weight
		0,874 kg/mt



FC50-025-13 (Sadece Mat Eloksal)

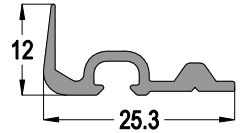
 ASI-KT 0815	 ASI-KT 1126	AĞIRLIK / Weight
		0,674 kg/mt



FC12-187-12

(Sadece Mat Siyah Eloksal)

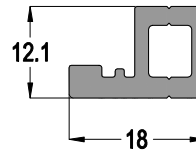
AĞIRLIK / Weight
0,109 kg/mt



FC50-170-24

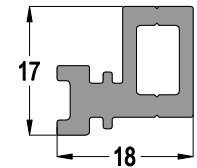
(Sadece Mat Siyah Eloksal)

AĞIRLIK / Weight
0,183 kg/mt



FC10-120-03

AĞIRLIK / Weight
0,285 kg/mt



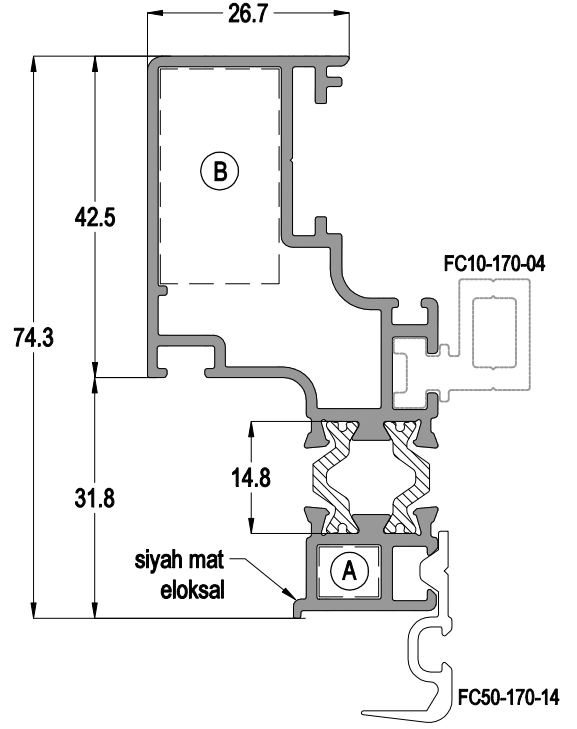
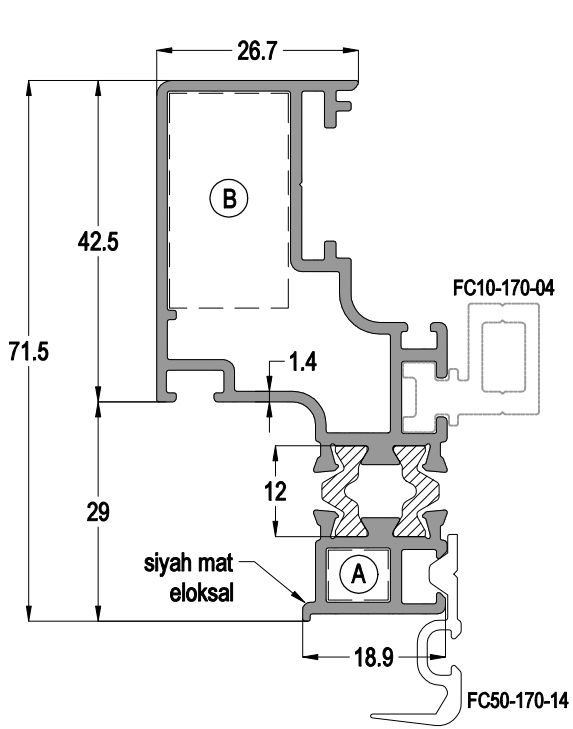
FC10-170-04

AĞIRLIK / Weight
0,373 kg/mt



FC50

CEPHE SİSTEMİ
FACADE SYSTEM



ASISTAL

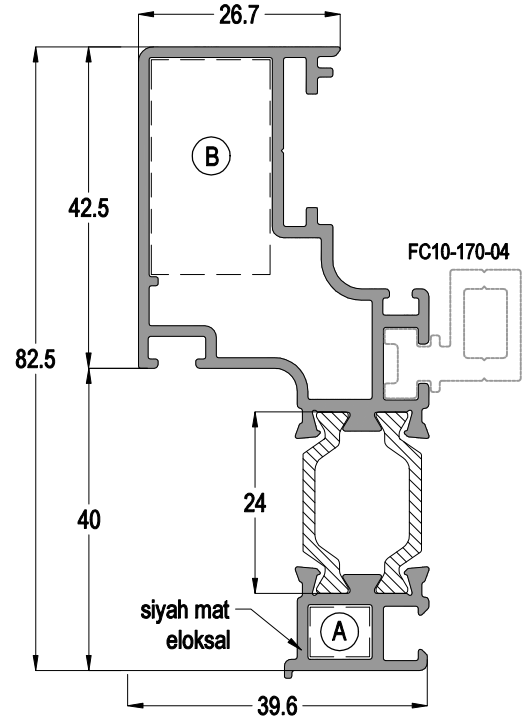
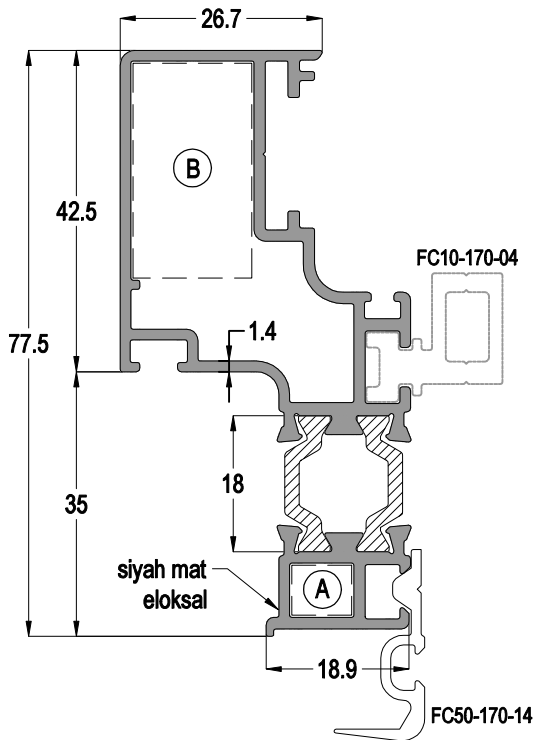


FC50-123-15



		AĞIRLIK / Weight
ASI-KT 0807	ASI-KT 1628	1,210 kg/mt

FC50-123-17



		AĞIRLIK / Weight
ASI-KT 0807	ASI-KT 1628	1,209 kg/mt



FC50-023-15

		AĞIRLIK / Weight
ASI-KT 0807	ASI-KT 1628	1,238 kg/mt

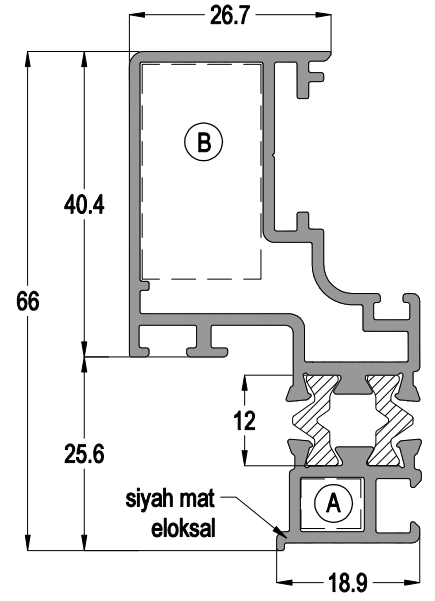
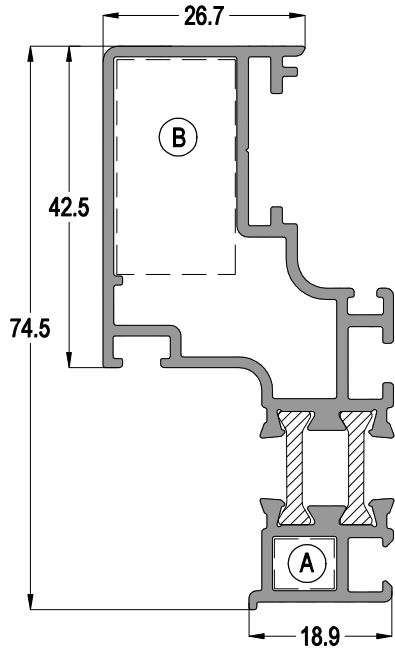
FC50-123-16

		AĞIRLIK / Weight
ASI-KT 0807	ASI-KT 1628	1,256 kg/mt

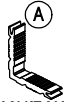

Profil ağırlıklarımız teorik olup; teslim anındaki tartımız geçerlidir.

FC50



CEPHE SİSTEMİ
FACADE SYSTEM

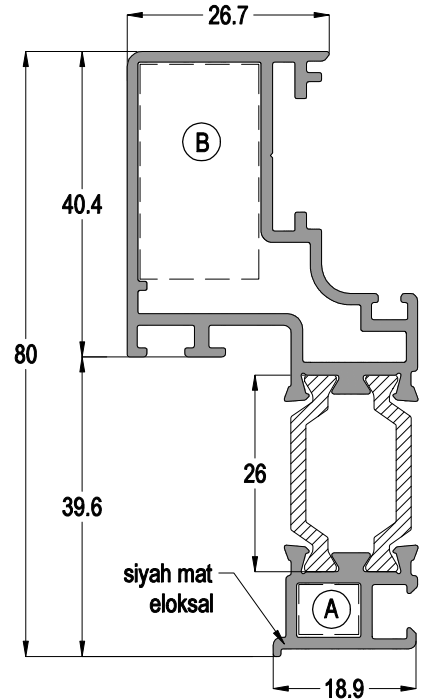
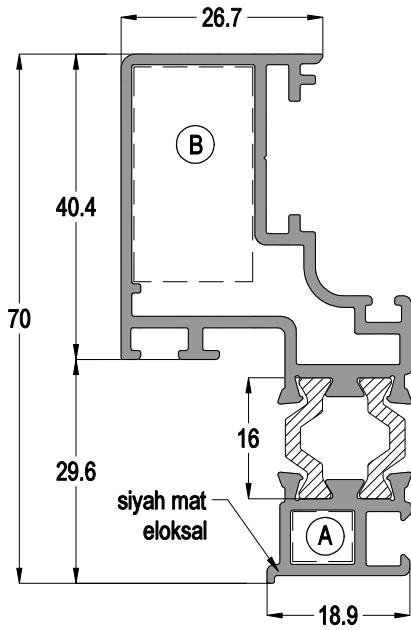


FC50-123-18



 ASI-KT 0807	 ASI-KT 1628	AĞIRLIK / Weight 1,211 kg/mt
--	--	---------------------------------

FC50-323-15



 ASI-KT 0807	 ASI-KT 1628	AĞIRLIK / Weight 1,193 kg/mt
--	--	---------------------------------



FC50-323-16P

 ASI-KT 0807	 ASI-KT 1628	AĞIRLIK / Weight 1,216 kg/mt
--	--	---------------------------------

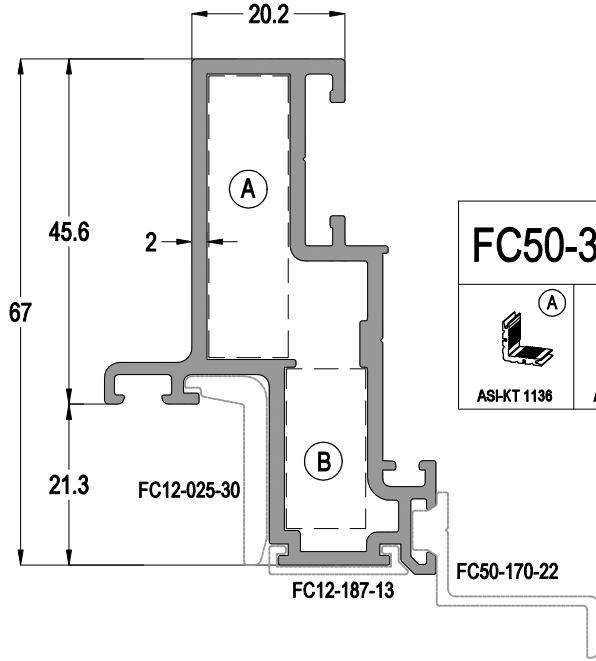
FC50-323-17



 ASI-KT 0807	 ASI-KT 1628	AĞIRLIK / Weight 1,267 kg/mt
--	--	---------------------------------

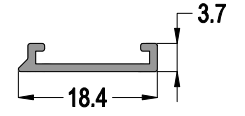
Profil ağırlıklarımız teorik olup; teslim anındaki tartımız geçerlidir.

FC50

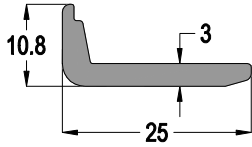
CEPHE SİSTEMİ
FACADE SYSTEM



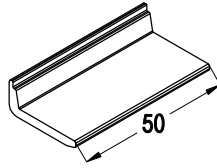
FC50-323-19	
	
ASH-KT 1138	ASH-KT 1120
AĞIRLIK / Weight	
1,226 kg/mt	



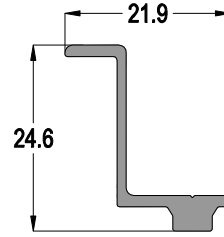
FC12-187-13
AĞIRLIK / Weight
0,071 kg/mt



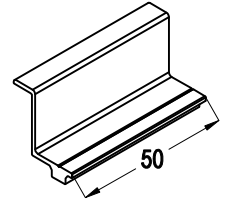
FC12-025-30
AĞIRLIK / Weight
0,250 kg/mt



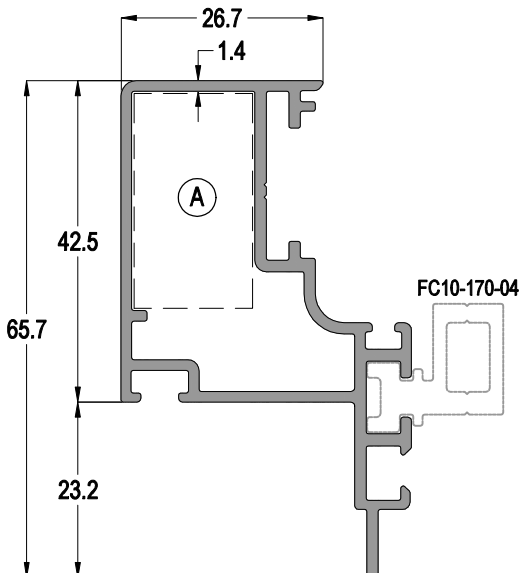
SG50-025-30
Parça Kodu
Part Code




FC50-170-22
AĞIRLIK / Weight
0,200 kg/mt



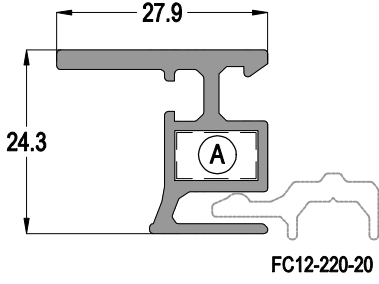
SG50-170-22
Parça Kodu
Part Code



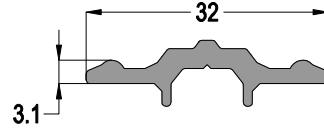
FC50-024-15	
	AĞIRLIK / Weight
ASH-KT 1628	0,850 kg/mt

FC50

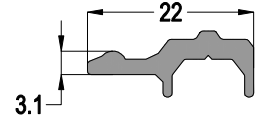
CEPHE SİSTEMİ
FACADE SYSTEM



FC12-220-20



FC12-320-20



FC12-220-20

FC12-239-13 (Sadece Mat Eloksal)



AĞIRLIK / Weight

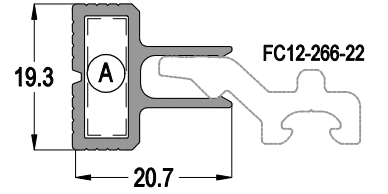
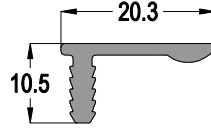
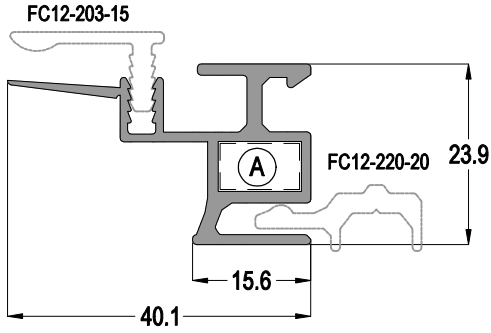
0,475 kg/mt

AĞIRLIK / Weight

0,263 kg/mt

AĞIRLIK / Weight

0,193 kg/mt



FC12-401-13 (Sadece Mat Eloksal)



AĞIRLIK / Weight

0,467 kg/mt

FC12-203-15

AĞIRLIK / Weight

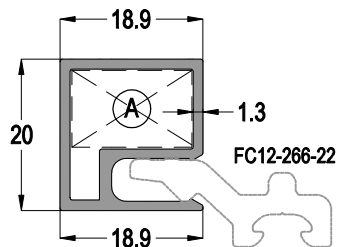
0,162 kg/mt

FC12-193-16 (Sadece Mat Siyah Eloksal)

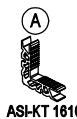


AĞIRLIK / Weight

0,287 kg/mt

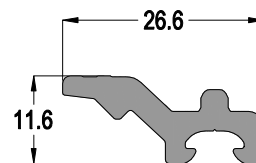


FC12-193-06 (Sadece Mat Eloksal)



AĞIRLIK / Weight

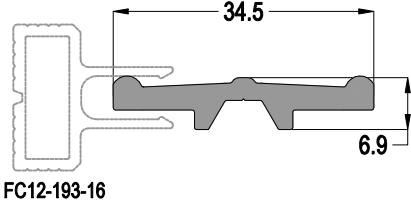
0,304 kg/mt



FC12-266-22

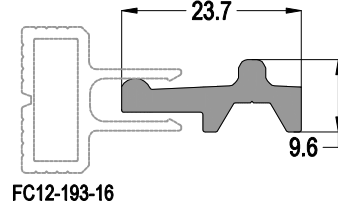
AĞIRLIK / Weight

0,344 kg/mt

**FC12-034-30**

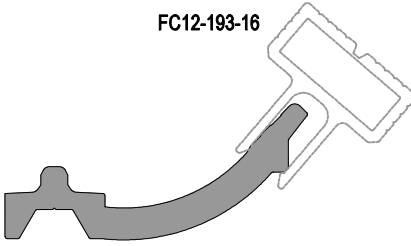
AĞIRLIK / Weight

0,350 kg/mt

**FC12-023-30**

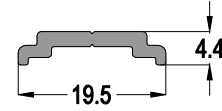
AĞIRLIK / Weight

0,275 kg/mt

**FC12-039-40**

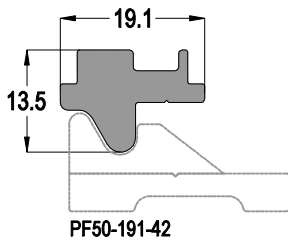
AĞIRLIK / Weight

0,529 kg/mt

**FC12-195-20**

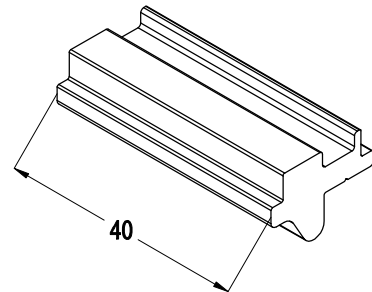
AĞIRLIK / Weight

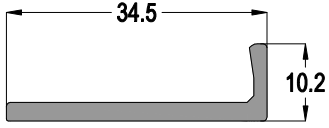
0,120 kg/mt

**FC12-191-42**

AĞIRLIK / Weight

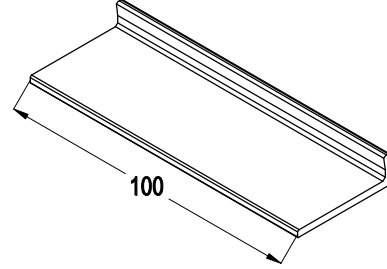
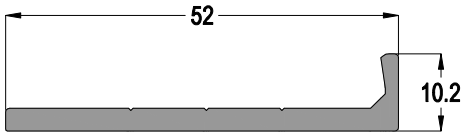
0,355 kg/mt

SG40-19142
parça kodu

**FC12-344-25**

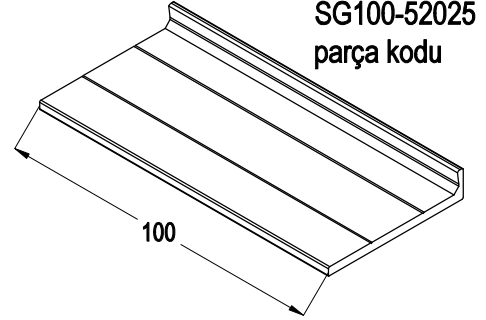
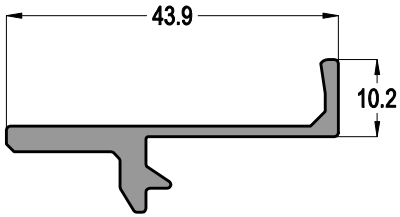
AĞIRLIK / Weight

0,270 kg/mt

SG100-34425
parça kodu**FC12-520-25**

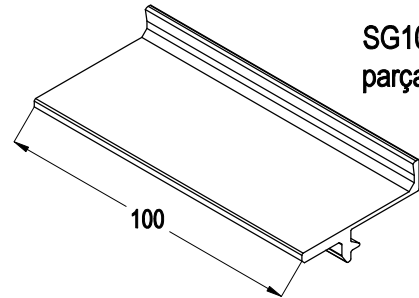
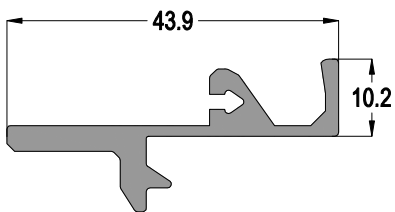
AĞIRLIK / Weight

0,464 kg/mt

SG100-52025
parça kodu**FC12-043-14**

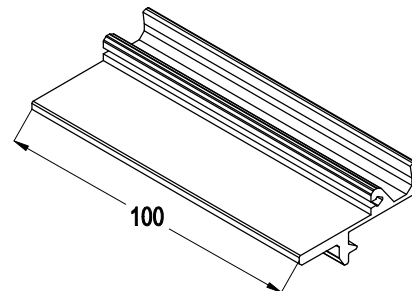
AĞIRLIK / Weight

0,397 kg/mt

SG100-04314
parça kodu**FC12-438-14**

AĞIRLIK / Weight

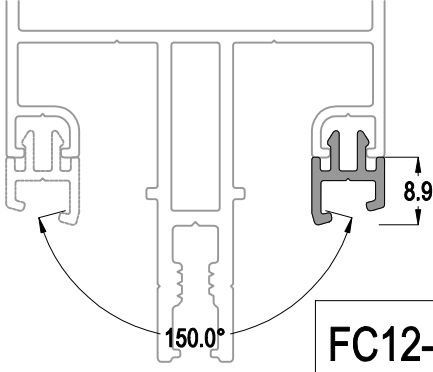
0,491 kg/mt

SG100-43814
parça kodu

FC50

CEPHE SİSTEMİ
FACADE SYSTEM

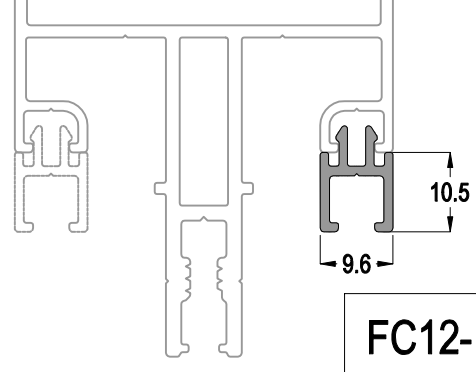
ASISTAL



FC12-067-12

AĞIRLIK / Weight

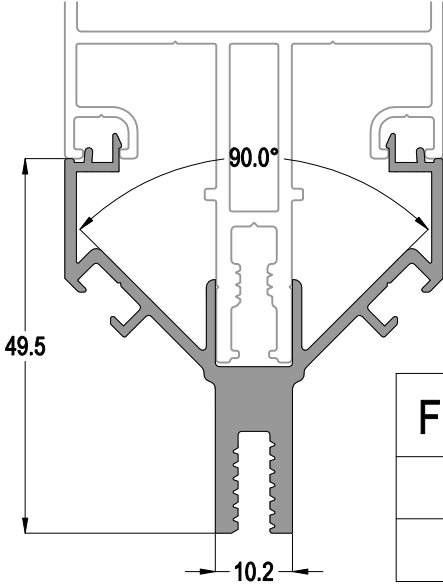
0,115 kg/mt



FC12-117-12

AĞIRLIK / Weight

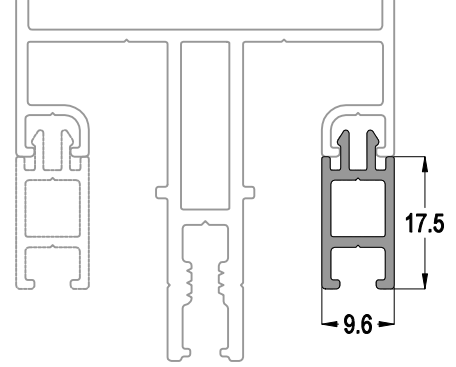
0,133 kg/mt



FC50-134-15

AĞIRLIK / Weight

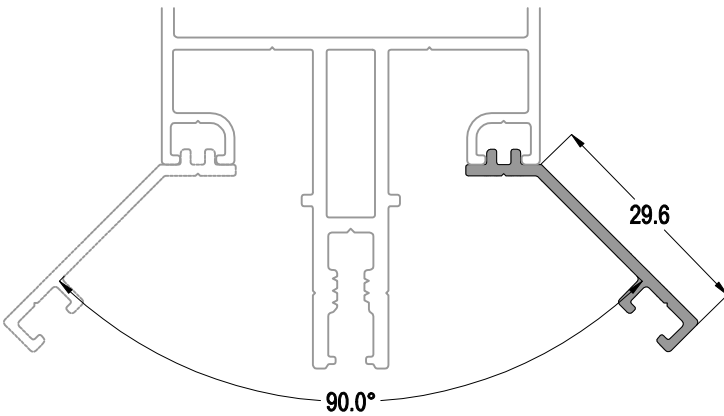
0,976 kg/mt



FC12-177-12

AĞIRLIK / Weight

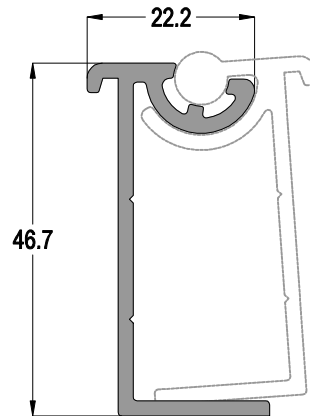
0,206 kg/mt



FC12-036-15

AĞIRLIK / Weight

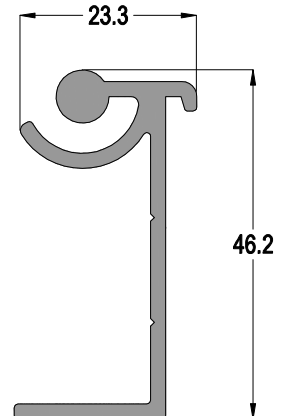
0,206 kg/mt



FC12-200-20

AĞIRLIK / Weight

0,532 kg/mt



FC12-210-20

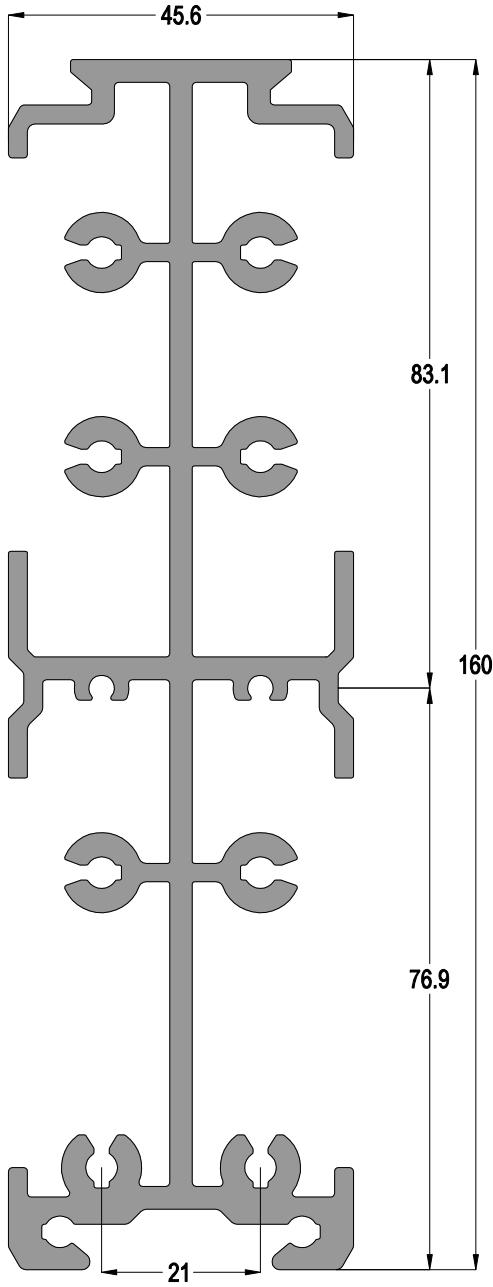
AĞIRLIK / Weight

0,624 kg/mt

FC50

CEPHE SİSTEMİ
FACADE SYSTEM

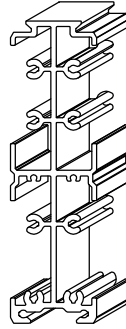
ASISTAL



FC10-160-03

AĞIRLIK / Weight

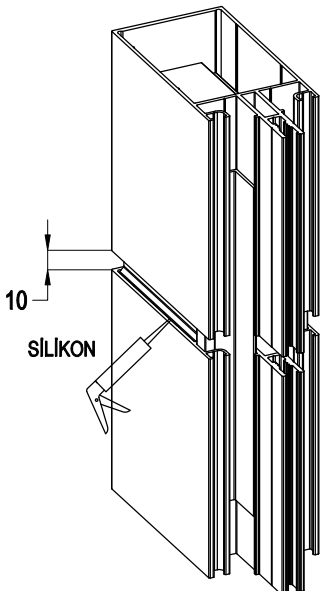
4,664 kg/mt



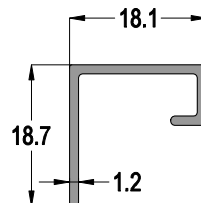
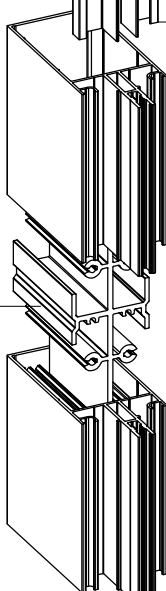
PARÇA KODU
Accessories code

FC12-181-12

200



FC10-160-03



FC12-181-12

AĞIRLIK / Weight

0,149 kg/mt

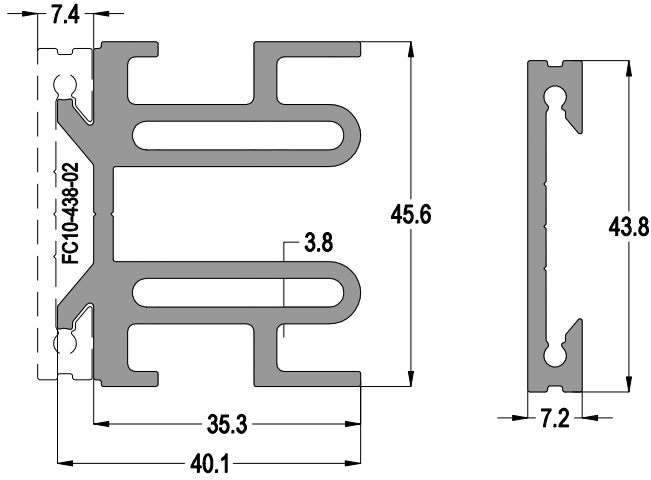
DÜŞEY BAĞLANTI / DİLATASYON PROFİLİ SEÇİM TABLOSU

Accessories Selection Table For Vertical Joint

PROFİL KODU Profile code	PARÇA KODU Accessories code	KESİM ÖLÇÜSÜ Cutting Size (mm)
FC50-011-16	AW4510	10,5
FC50-012-16	AW4530	30,5
FC50-013-16	AW4560	60,3
*FC50-113-16	AW4560	60,3
FC50-111-16	AW4560	60,3
FC50-010-16	AW4570	70,3
FC50-014-16	AW4580	80,3
FC50-114-16	AW4580	80,3
FC50-005-17	AW4598	99
FC50-015-17	AW4598	99
FC50-115-17	AW4598	99
FC50-016-17	AW4518	118,5
FC50-017-18	AW4512	120,5
FC50-006-18	AW4535	135,5
FC50-216-18	AW4538	137,5
FC50-211-16	AW4526	26,5
FC50-212-16	AW4541	41
FC50-213-18	AW4552	51,9
FC50-313-16	AW4556	56
FC50-213-16	AW4571	71
FC50-007-16	AW4572	72,2
FC50-213-17	AW4577	76,9
FC50-214-16	AW4596	96,5
FC50-214-20	AW4596	96,5
FC50-215-16	AW4516	116,5
FC50-217-17	AW4514	145

Profil ağırlıklarımız teorik olup; teslim anındaki tartımımız geçerlidir.

KIZAKLI (KIRLANGIÇ) GEÇME BAĞLANTI TRANSOM JOINT BY SLIDING



FC10-456-02

AĞIRLIK / Weight

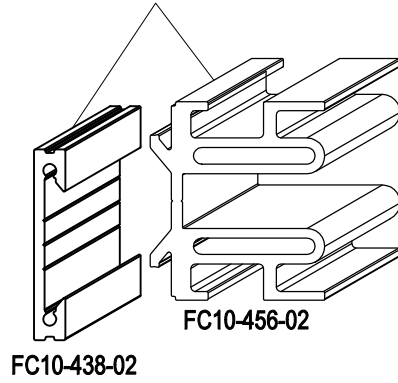
1,672 kg/mt

FC10-438-02

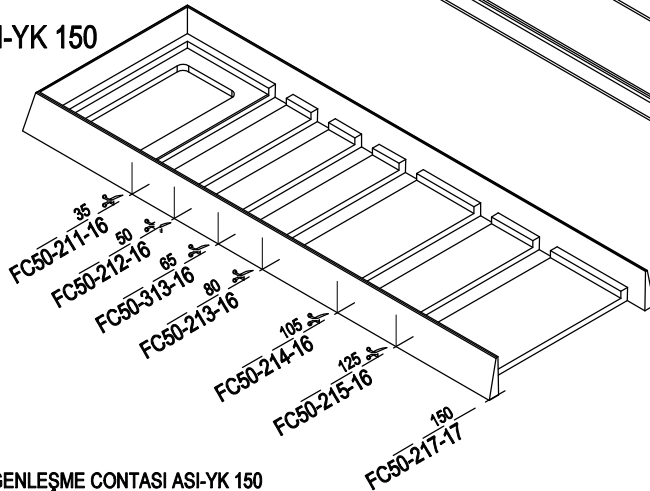
AĞIRLIK / Weight

0,430 kg/mt

PARÇA KODU : AW07XX-TK
Accessories code



ASI-YK 150

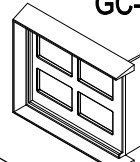


NOT: GENLEŞME CONTASI ASI-YK 150
PROFİL ÖLÇÜSÜNDE KESİLİP KULLANILMALIDIR.

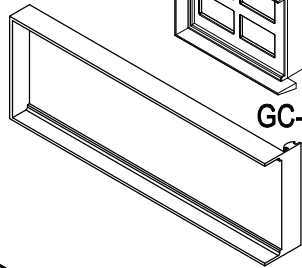
KIZAKLI GEÇME YATAY BAĞLANTI SEÇİM TABLOSU Accessories Selection Table For Transom Sliding Joint

PROFİL KODU Profile code	PARÇA KODU Accessories code	KESİM ÖLÇÜSÜ Cutting Size (mm)	GENLEŞME CONTASI T Joint Gasket	GENLEŞME CONTASI T Joint Gasket (CUT) (ALTERNATİF)
FC50-211-16	AW0725-TK	26,5	-	ASI-YK-150
FC50-212-16	AW0741-TK	41	-	ASI-YK-150
FC50-213-18	AW0752-TK	51,9	-	ASI-YK-150
FC50-313-16	AW0756-TK	56	GC-65	ASI-YK-150
FC50-213-16	AW0771-TK	71	-	ASI-YK-150
FC50-007-16	AW0772-TK	72.2	-	ASI-YK-150
FC50-203-17	AW0766-TK	76,8	ASI-HYK-80	ASI-YK-150
FC50-213-17	AW0766-TK	76,8	ASI-HYK-80	ASI-YK-150
FC50-204-16	AW0796-TK	96,5	ASI-HYK-100	ASI-YK-150
FC50-214-16	AW0796-TK	96,5	ASI-HYK-100	ASI-YK-150
FC50-214-20	AW0796-TK	96,5	ASI-HYK-100	ASI-YK-150
FC50-215-16	AW0716-TK	116,5	AS-HYK-120	ASI-YK-150
FC50-216-18	AW0738-TK	137,5	AS-HYK-150	ASI-YK-150
FC50-217-17	AW0745-TK	145	GC-150	ASI-YK-150

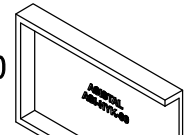
GC-65



GC-150



ASI-HYK-80



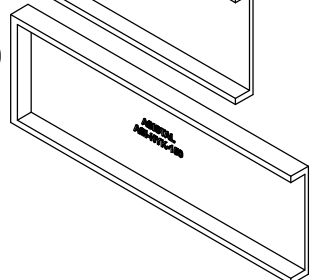
ASI-HYK-100



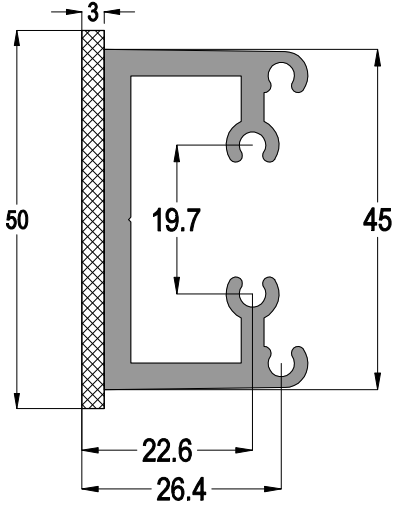
ASI-HYK-120



ASI-HYK-150



YATAY "U" BAĞLANTI TRANSOM "U" TYPE JOINT



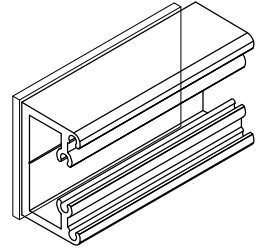
99-027044-35

AĞIRLIK / Weight

1,050 kg/mt

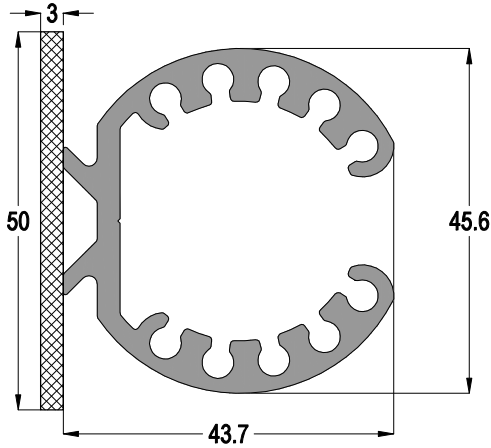
YATAY "U" BAĞLANTI SEÇİM TABLOSU Accessories Selection Table For Transom "U" Joint

PROFİL KODU Profile code	PARÇA KODU Accessories code	(GNL-3MM)EPDM GENLEŞME CONTASI (mm) EPDM EXPANSION GASKET-3MM Size	FC10-465-02 KESİM ÖLÇÜSÜ Cutting Size (mm)
FC50-211-16	AW0725	30	26,5
FC50-212-16	AW0741	44,4	41
FC50-213-18	AW0752	54,4	51,9
FC50-313-16	AW0756	59,4	56
FC50-007-16	AW0772	74,4	72,2
FC50-213-16	AW0771	74,4	71
FC50-203-17	AW0766	80	76,8
FC50-213-17	AW0766	80	76,8
FC50-204-16	AW0796	100	96,5
FC50-214-16	AW0796	100	96,5
FC50-215-16	AW0716	120	116,5
FC50-216-18	AW0738	140	137,5
FC50-217-17	AW0745	150	145



AÇILI YATAY BAĞLANTI SEÇİM TABLOSU Accessories Selection Table For Transom "Angular T" Joint

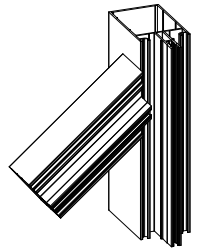
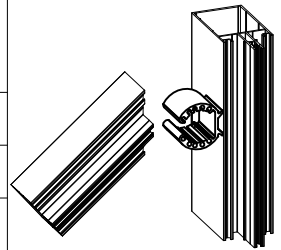
PROFİL KODU Profile code	PARÇA KODU Accessories code	(GNL-3MM)EPDM GENLEŞME CONTASI (mm) EPDM EXPANSION GASKET-3MM Size	FC10-462-02 KESİM ÖLÇÜSÜ Cutting Size (mm)
FC50-211-16	AWA0725	30	26,5
FC50-212-16	AWA0741	44,4	41
FC50-213-18	AWA0752	54,4	51,9
FC50-313-16	AWA0756	59,4	56
FC50-007-16	AWA0772	74,4	72,2
FC50-213-16	AWA0771	74,4	71
FC50-203-17	AWA0766	80	76,8
FC50-213-17	AWA0766	80	76,8
FC50-204-16	AWA0796	100	96,5
FC50-214-16	AWA0796	100	96,5
FC50-215-16	AWA0716	120	116,5
FC50-216-18	AWA0738	140	137,5
FC50-217-17	AWA0745	150	145



FC10-462-02

AĞIRLIK / Weight

1,317 kg/mt



FC50

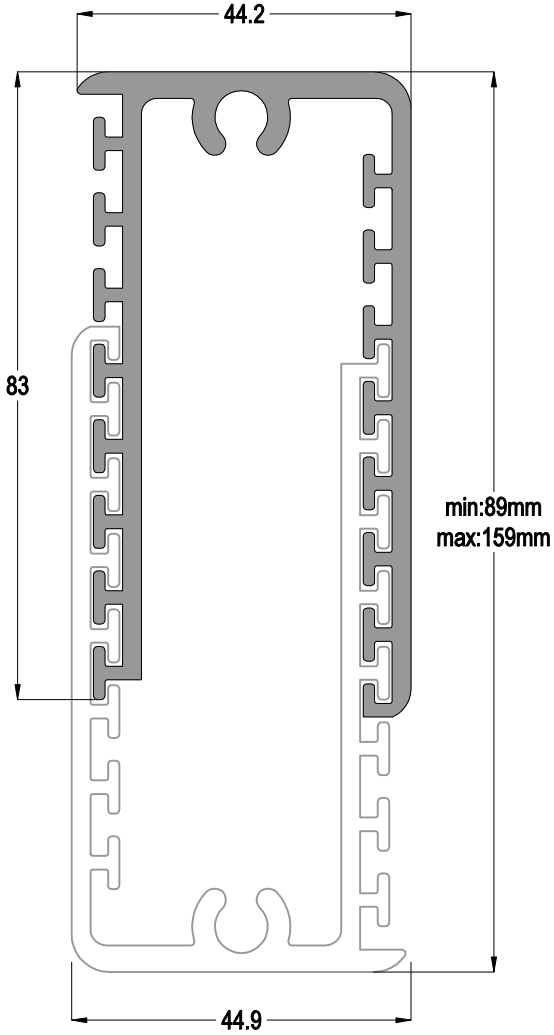
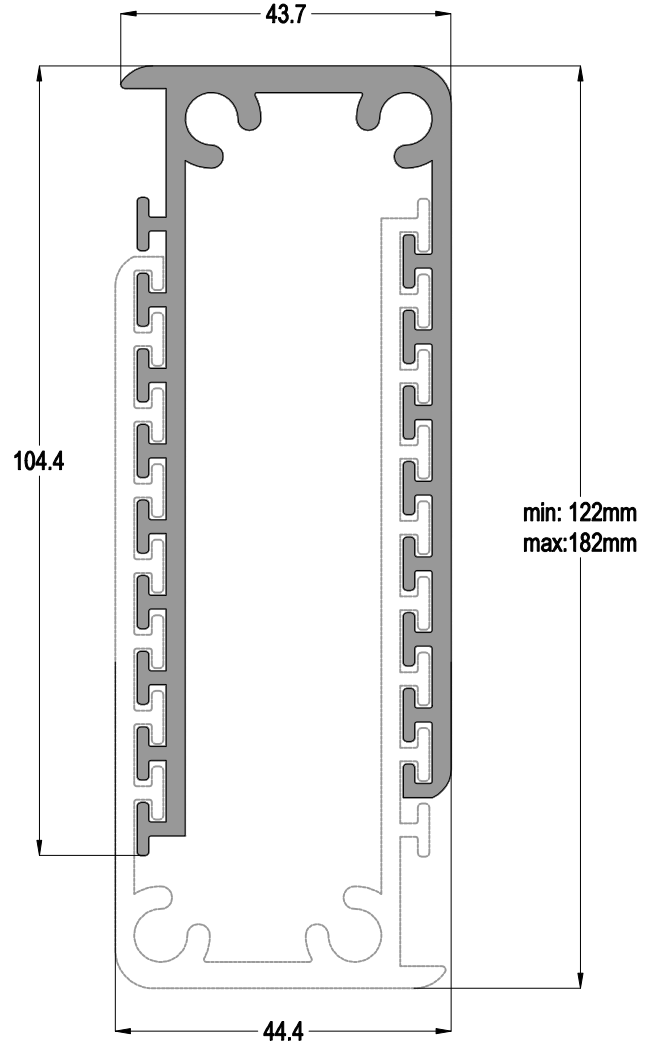
CEPHE SİSTEMİ
FACADE SYSTEM

ASISTAL

FC10-161-26

AĞIRLIK / Weight

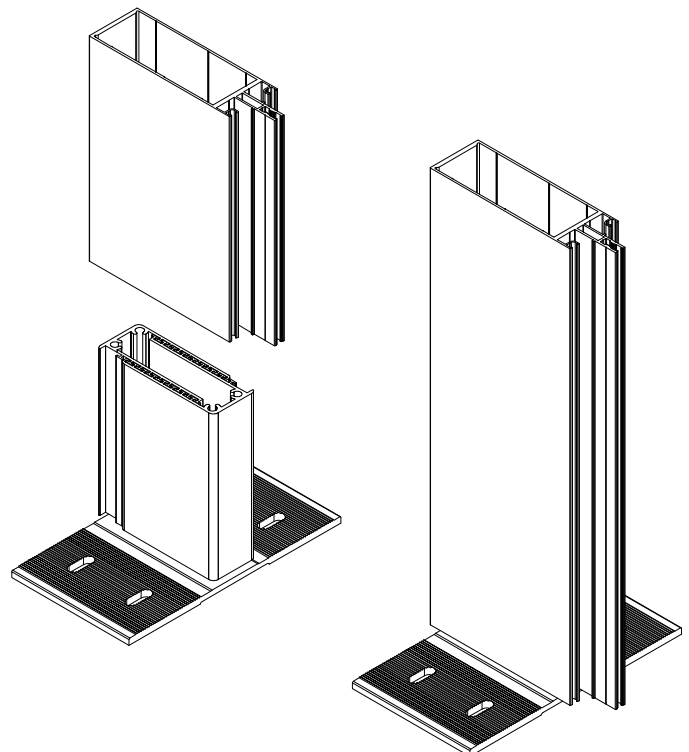
2,506 kg/mt



FC10-161-25

AĞIRLIK / Weight

2,198 kg/mt



Profil ağırlıklarımız teorik olup; teslim anındaki tartımız geçerlidir.

FC50-AS SERİSİ

KONDENS KANALLI (KERTMELİ) SİSTEM
CURTAIN WALL SYSTEM FC50-AS SERIES

- KAPAKLI CEPHE DETAYLARI / FC50-AS1

CURTAIN WALL SYSTEM DETAIL S / FC50-AS1

- YARI KAPAKLI CEPHE DETAYLARI / FC50-AS2

SEMI COVER CURTAIN WALL SYSTEM DETAILS / FC50-AS2

- KASETLİ SİLİKON CEPHE DETAYLARI / FC50-AS3

STRUCTUREL SILICONE CURTAIN WALL SYSTEM DETAILS / FC50-AS3

- EKONOMİK SİLİKON CEPHE DETAYLARI / FC50-AS4

ECO STRUCTUREL SILICONE CURTAIN WALL SYSTEM DETAILS / FC50-AS4

- CAM İÇİ ÇITALI SİLİKON CEPHE DETAYLARI / FC50-AS5

4 SIDE STRUCTUREL SILICONE CURTAIN WALL SYSTEM DETAILS / FC50-AS5

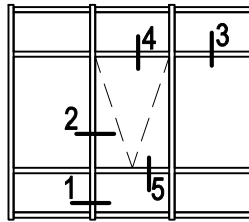
- KAPAKLI CEPHE DETAYLARI / FC50-AS1
- CARPED CURTAIN WALL SYSTEM DETAILS / FC50-AS1

FC50

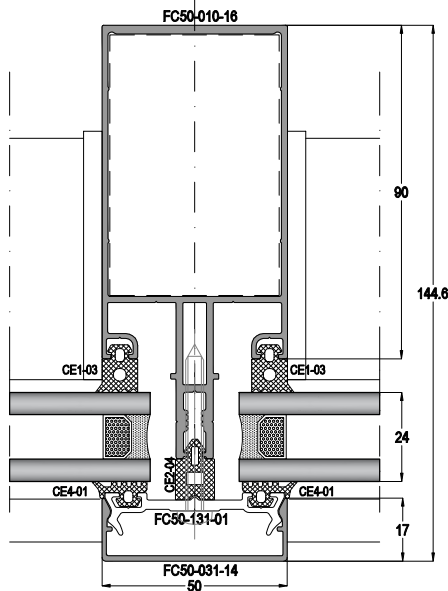
CEPHE SİSTEMİ
CURTAIN WALL SYSTEM



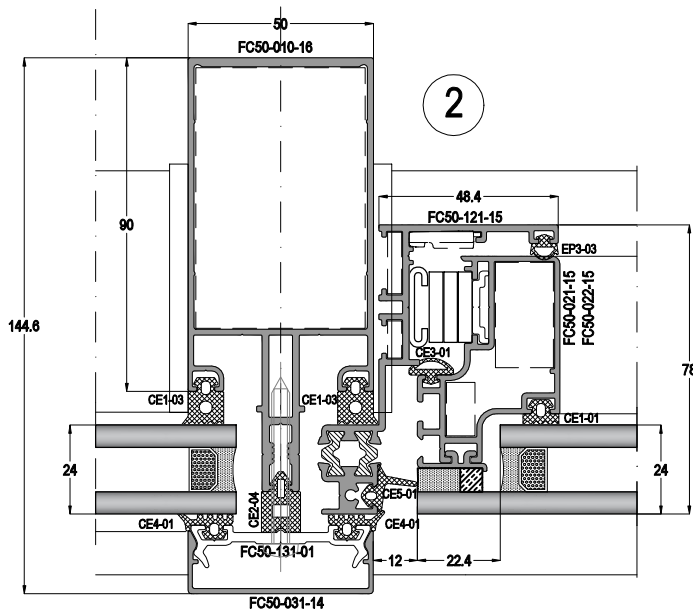
FC50-AS1 24mm Cam / 24mm Glass



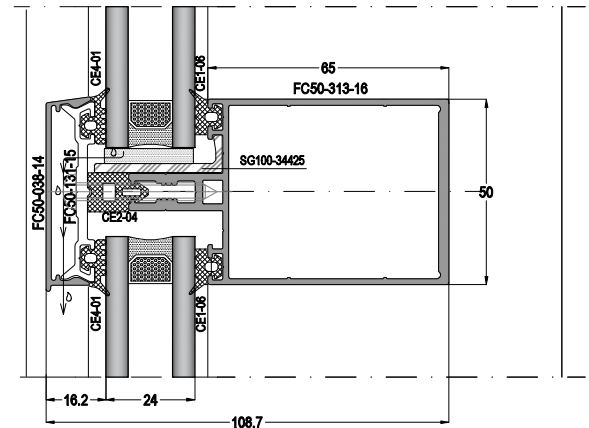
1



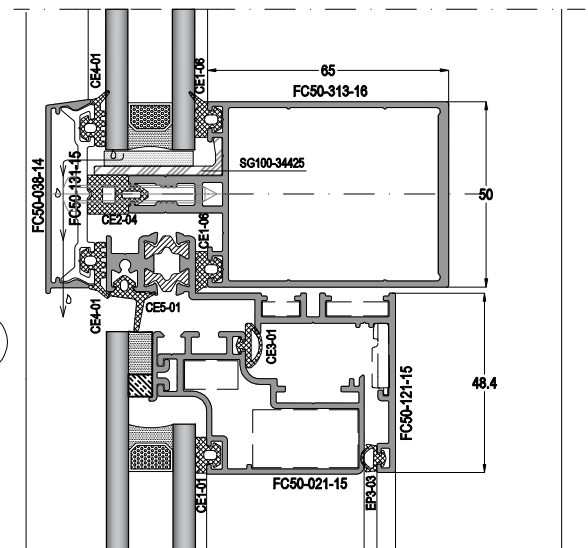
2



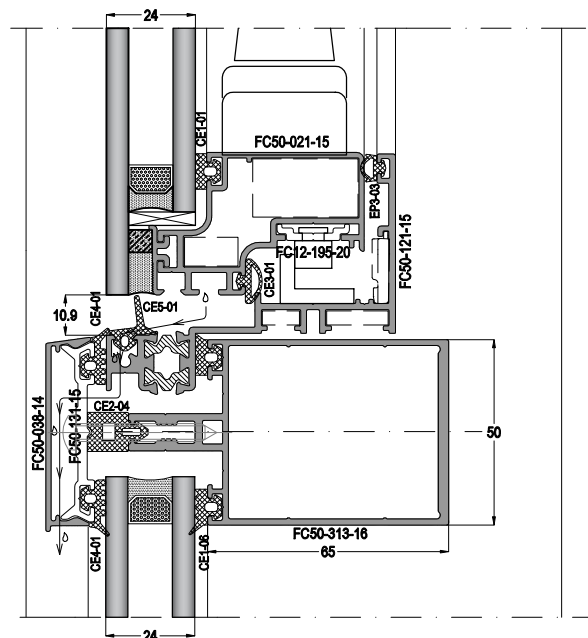
3



4



5

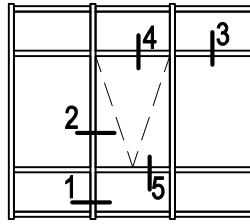


FC50

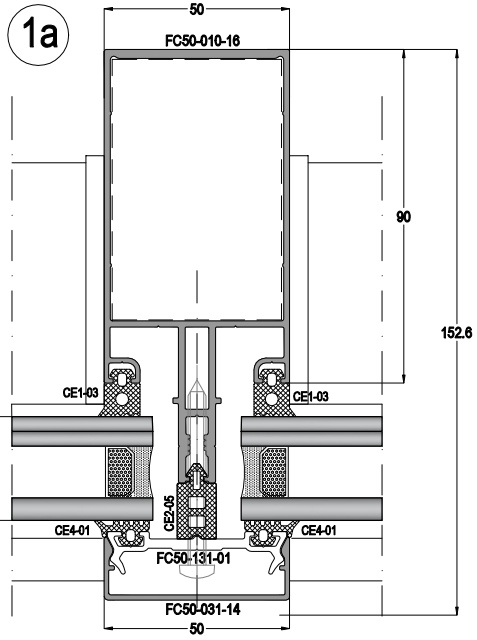
CEPHE SISTEM
CURTAIN WALL SYSTEM



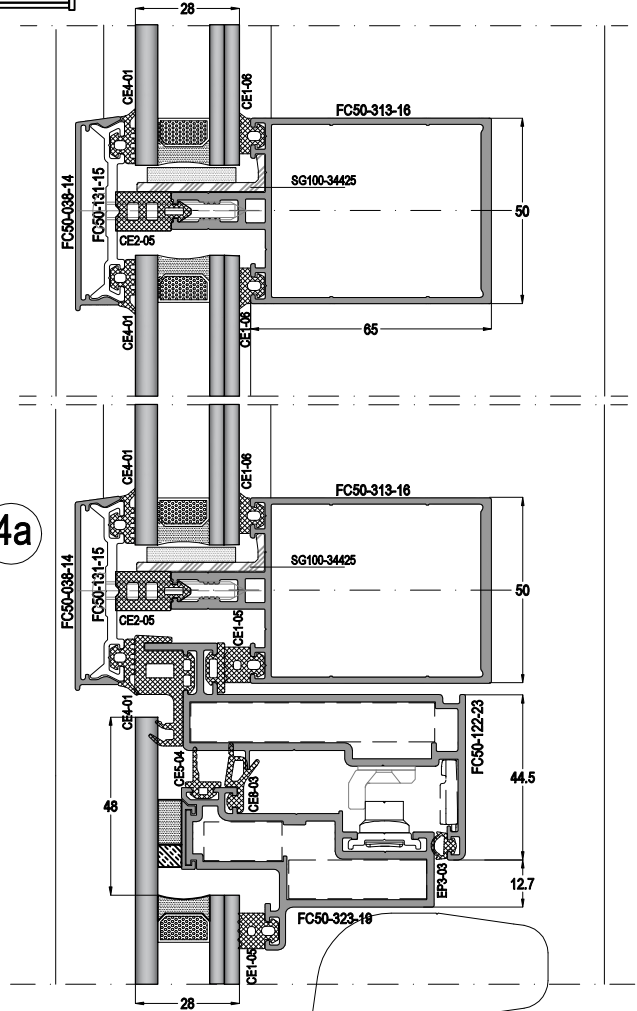
FC50-AS1 32mm Cam / 32mm Glass



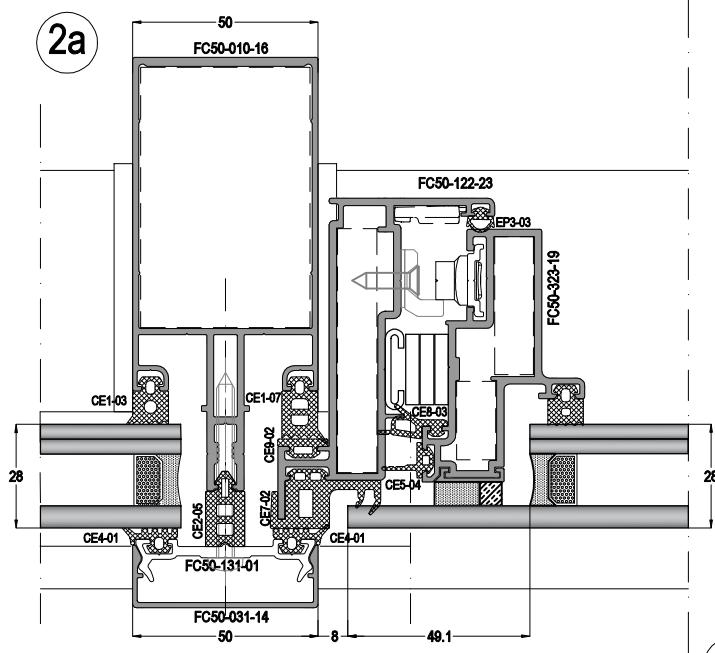
3a



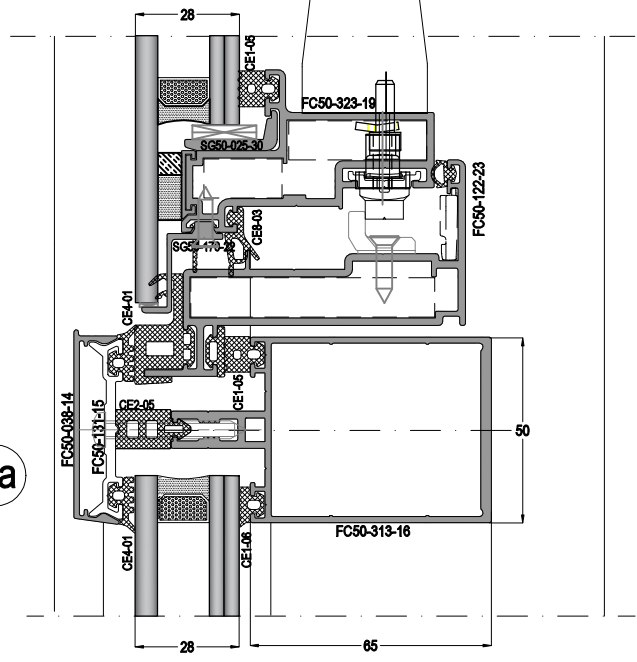
4a



2a



5a

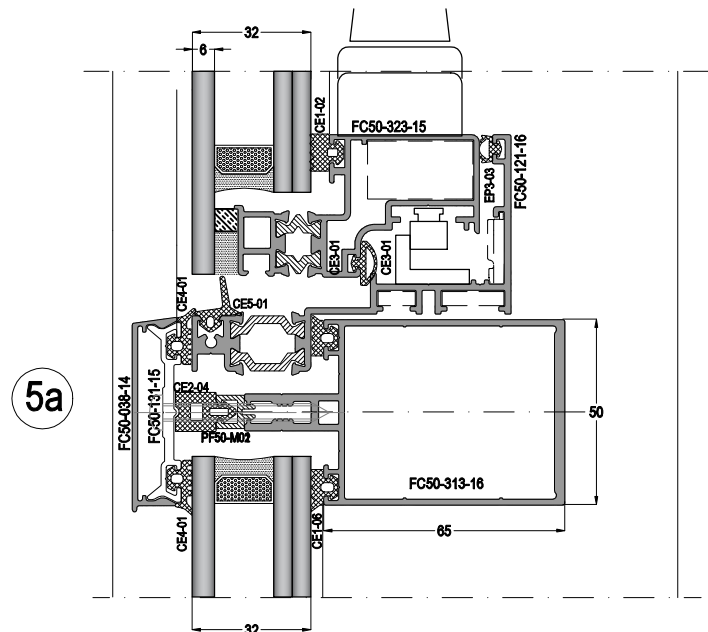
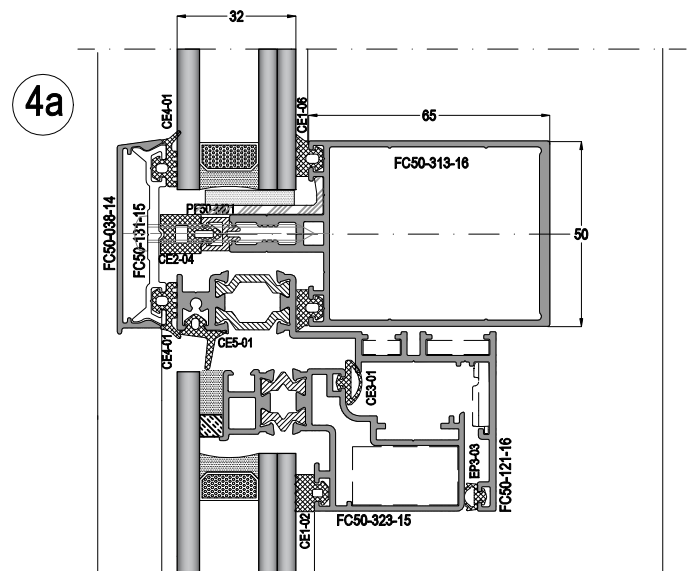
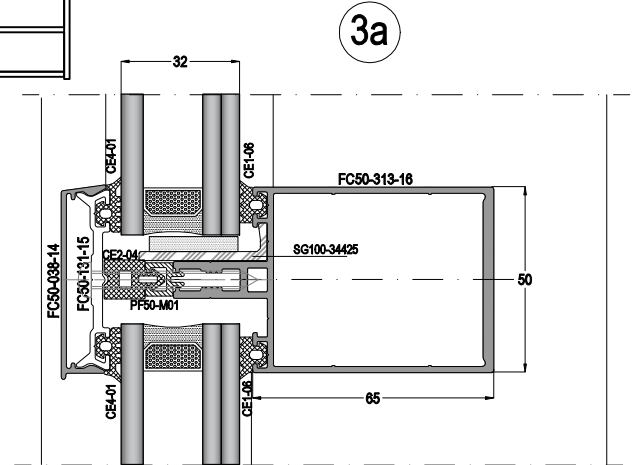
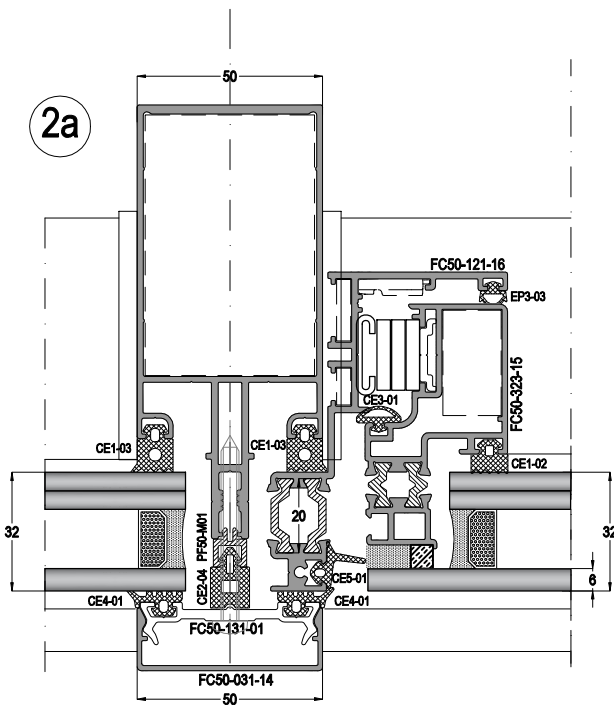
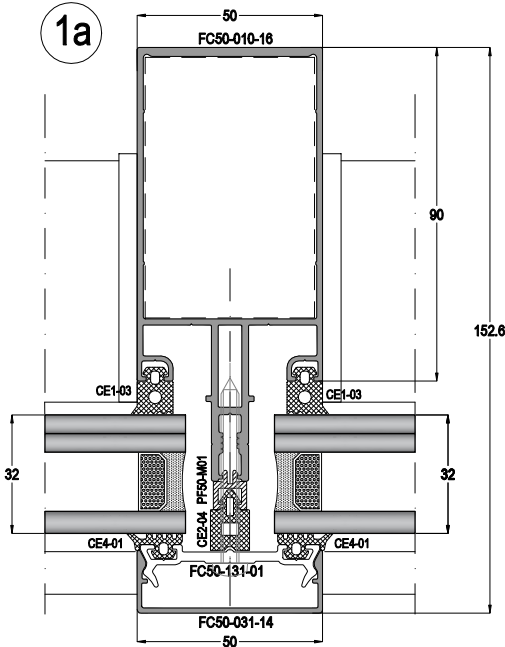
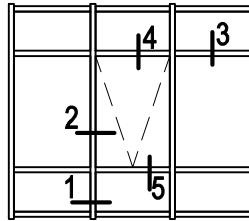


FC50

CEPHE SİSTEMİ
CURTAIN WALL SYSTEM



FC50-AS1 32mm Cam / 32mm Glass

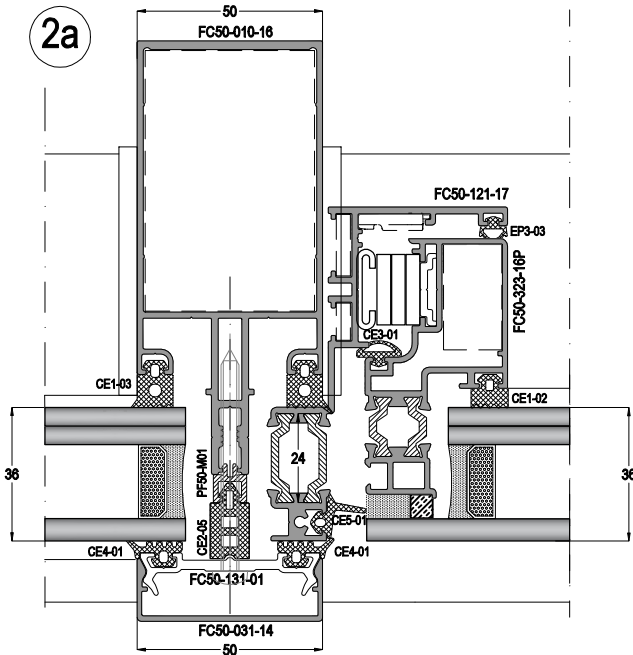
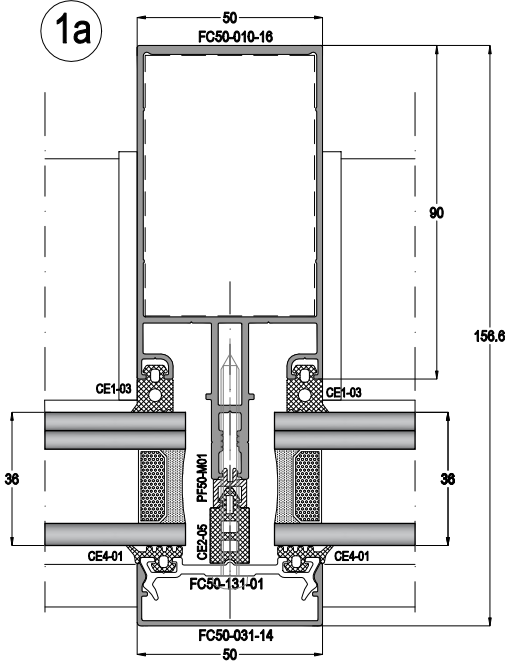
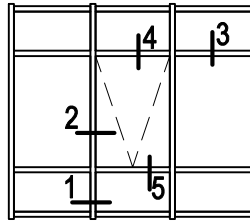


FC50

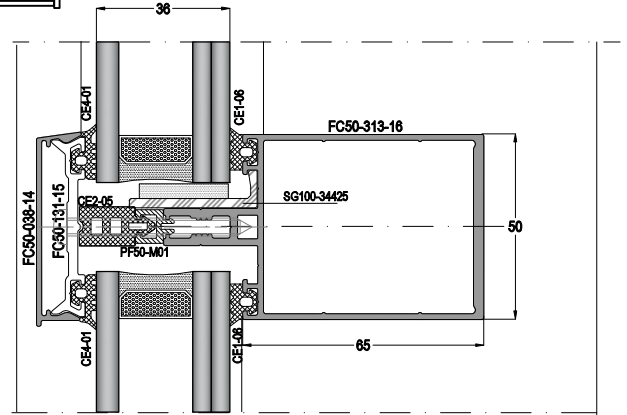
CEPHE SISTEM
CURTAIN WALL SYSTEM



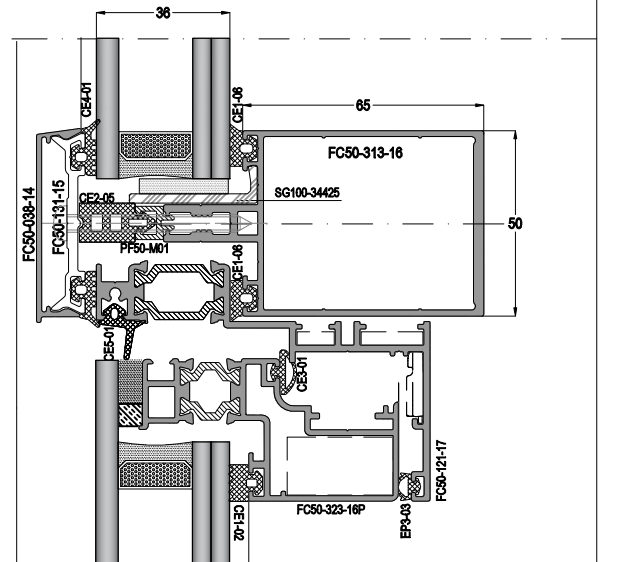
FC50-AS1
36mm Cam / 36mm Glass



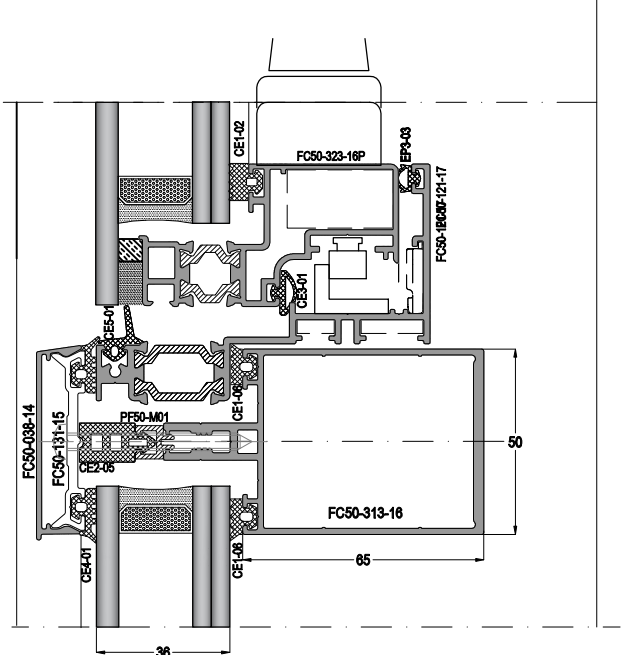
3a



4a



5a

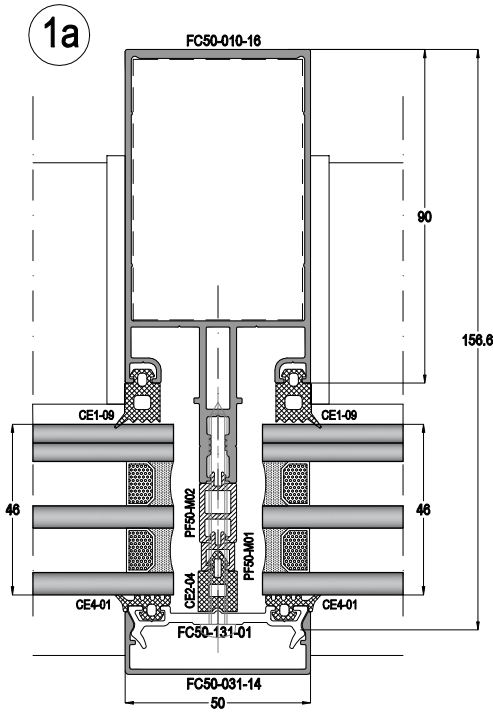
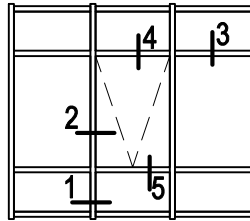


FC50

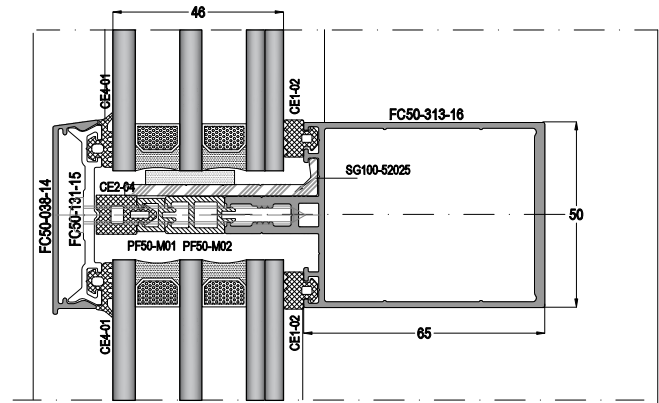
CEPHE SISTEM
CURTAIN WALL SYSTEM



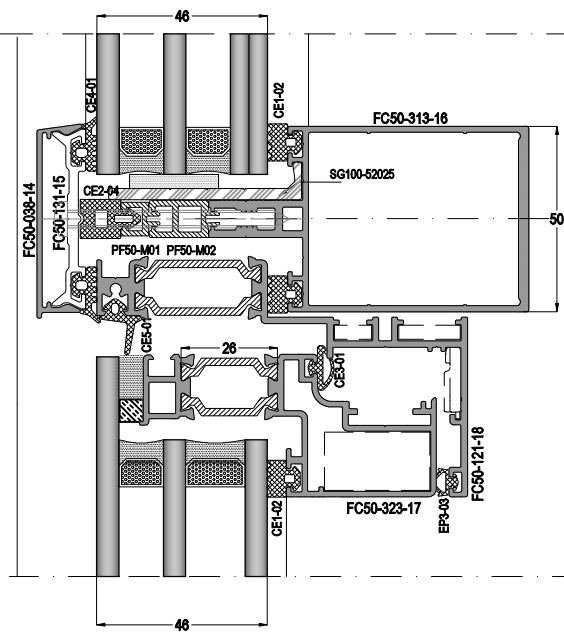
FC50-AS1 46mm Cam / 46mm Glass



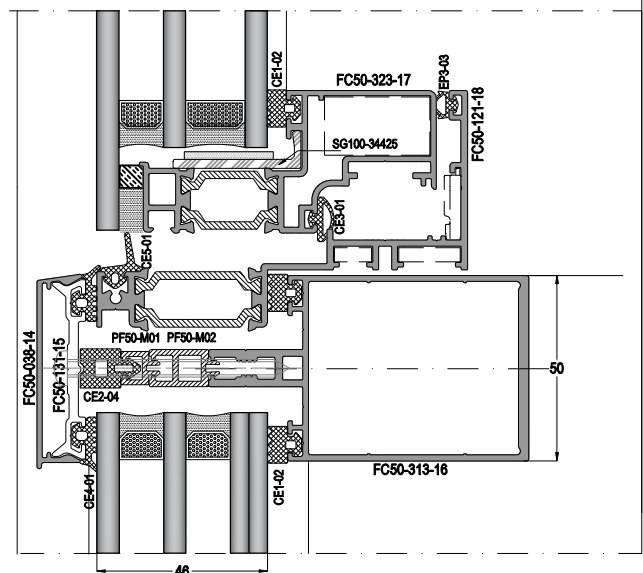
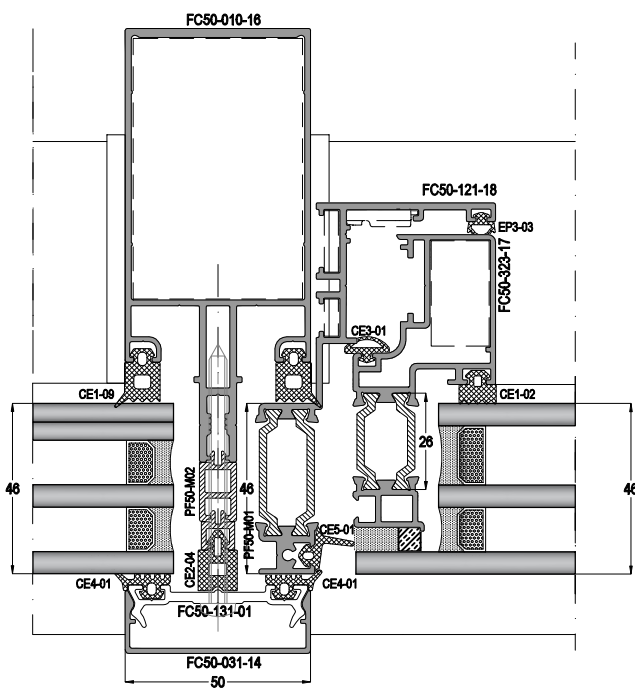
3a



4a



2a

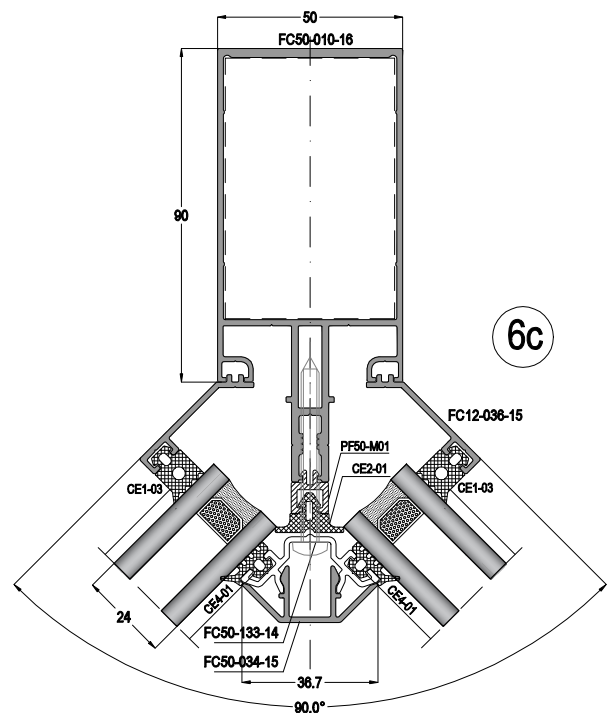
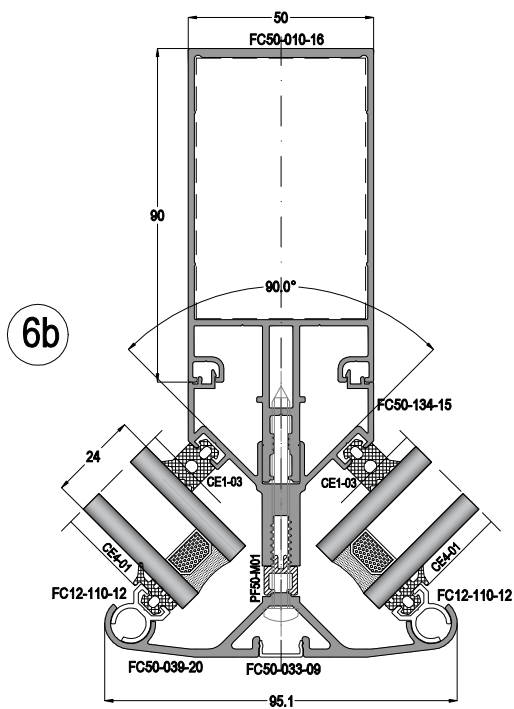
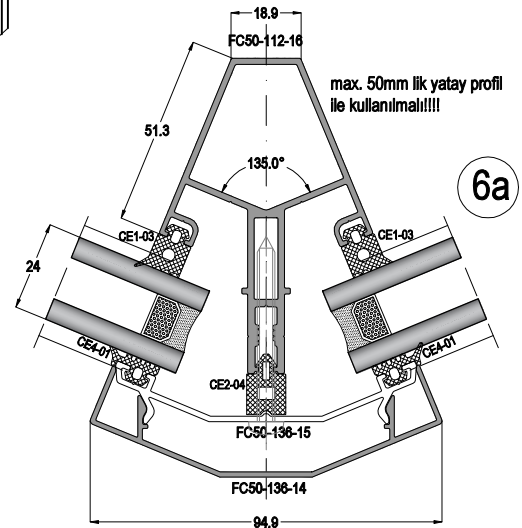
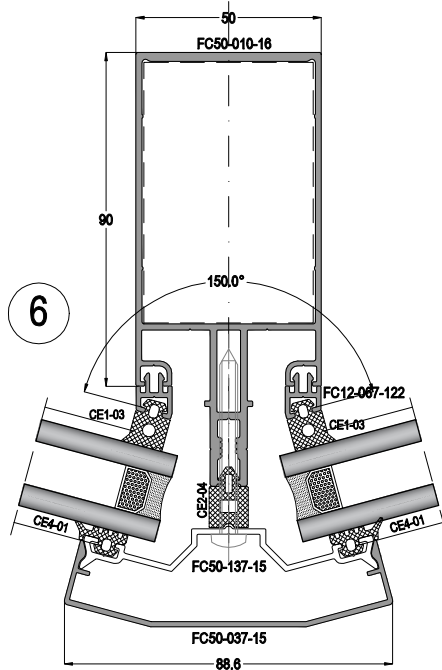
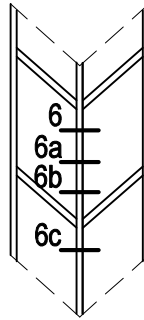


FC50

CEPHE SİSTEMİ
CURTAIN WALL SYSTEM



FC50-AS1

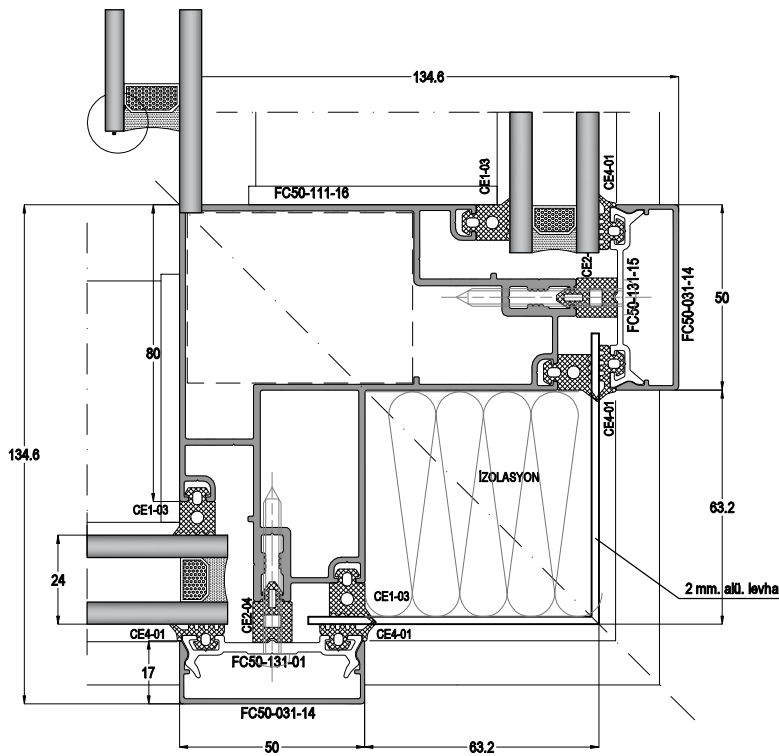


FC50

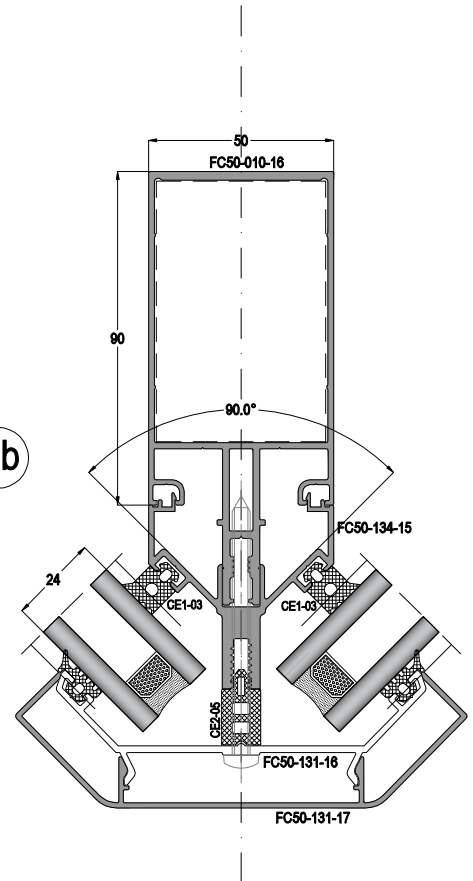
CEPHE SİSTEMİ
CURTAIN WALL SYSTEM



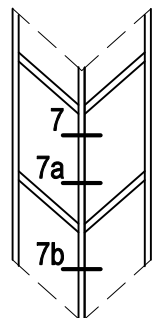
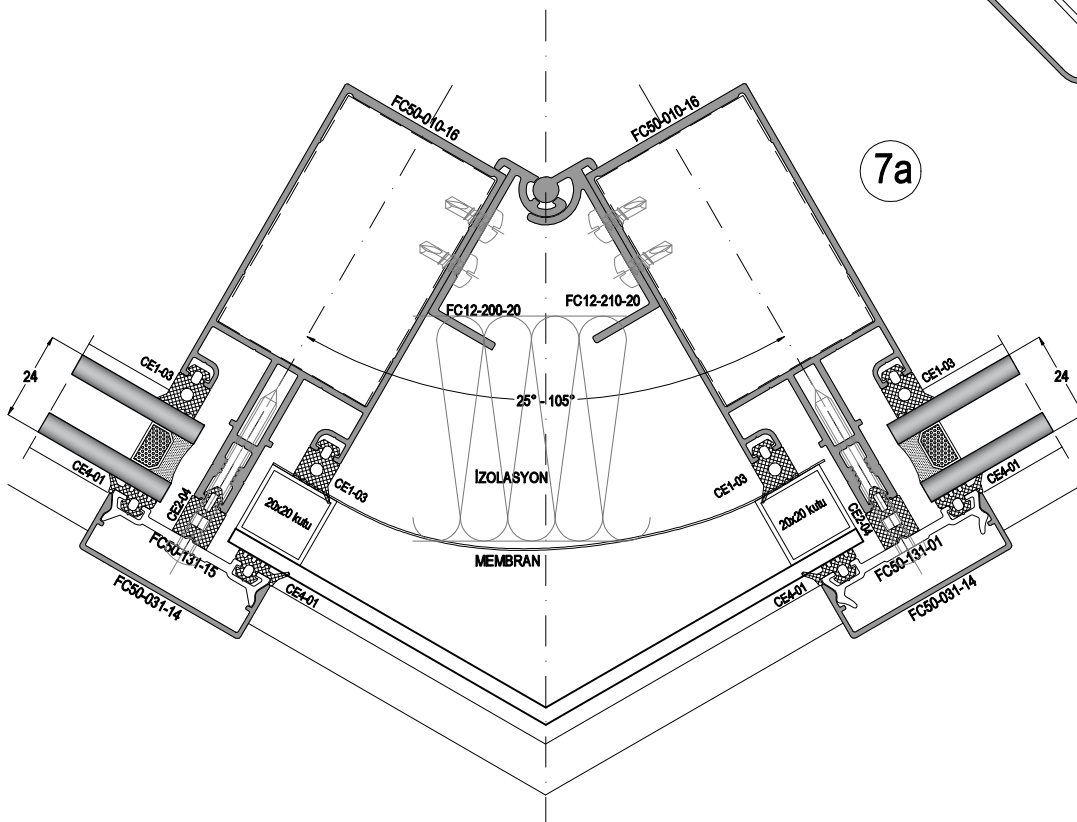
FC50-AS1



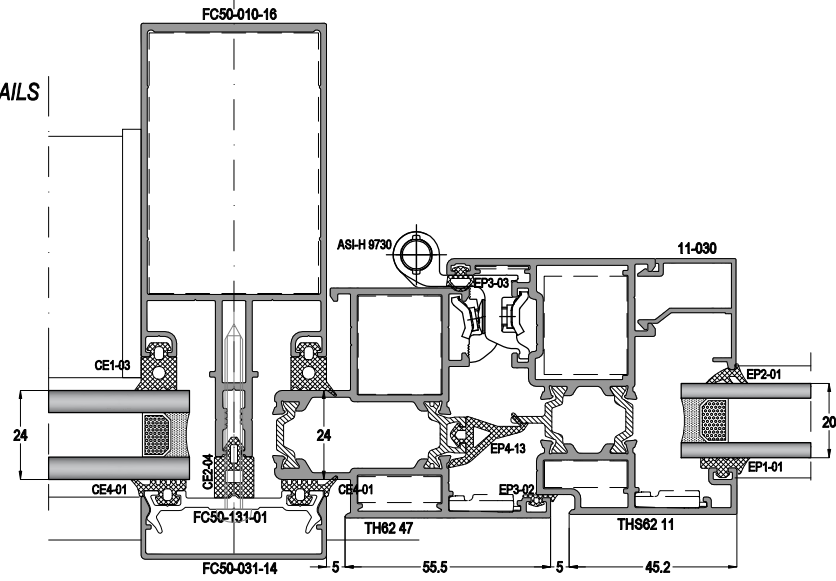
7b



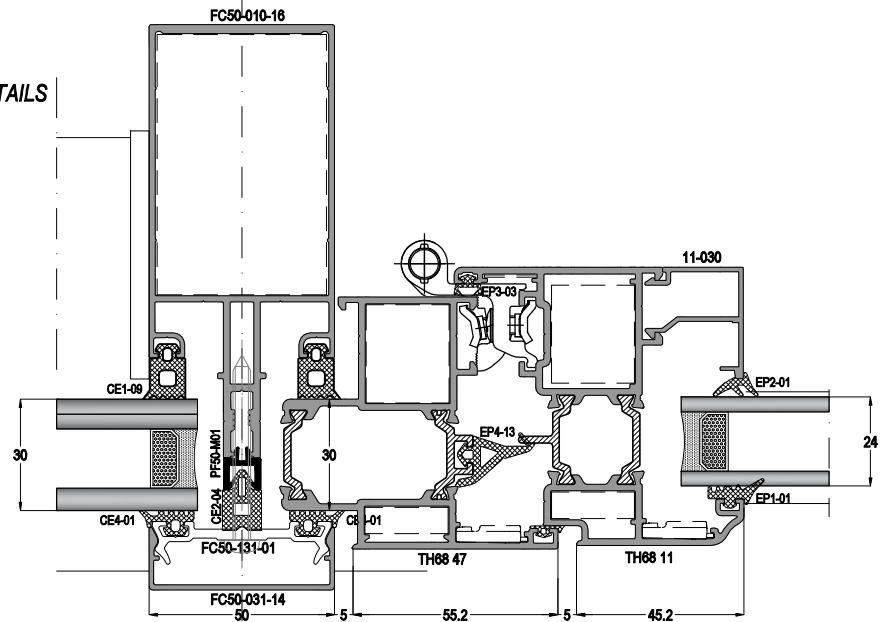
7a



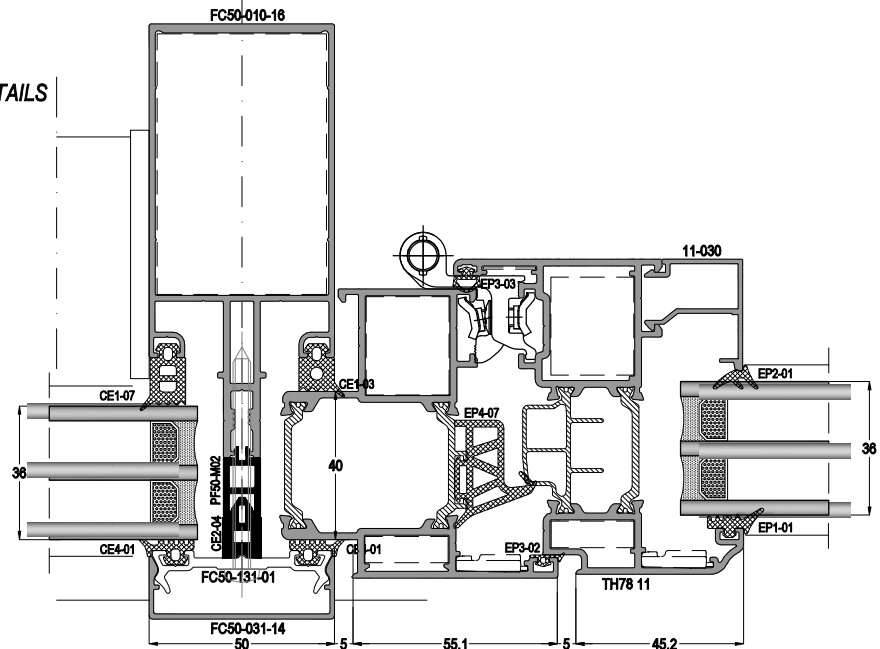
TH 62_THS62
PENCERE AÇILIM DETAYLARI
INWARD OPENING WINDOW DETAILS



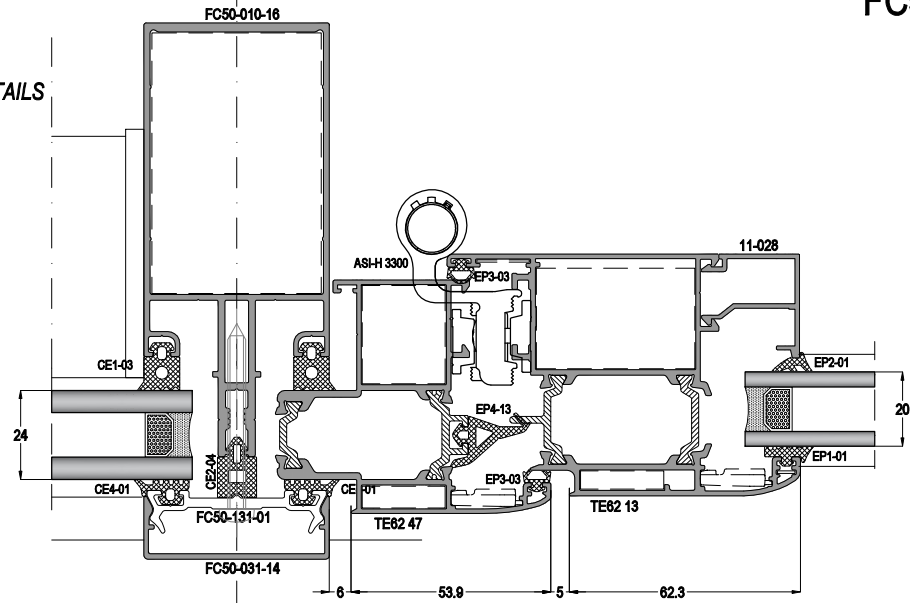
TH 68_THS68
PENCERE AÇILIM DETAYLARI
INWARD OPENING WINDOW DETAILS



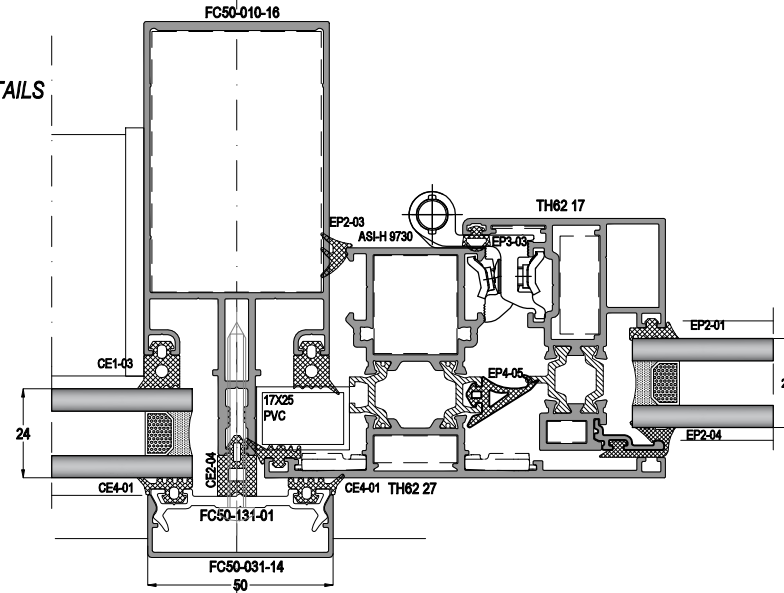
TH 78_THS78
PENCERE AÇILIM DETAYLARI
INWARD OPENING WINDOW DETAILS



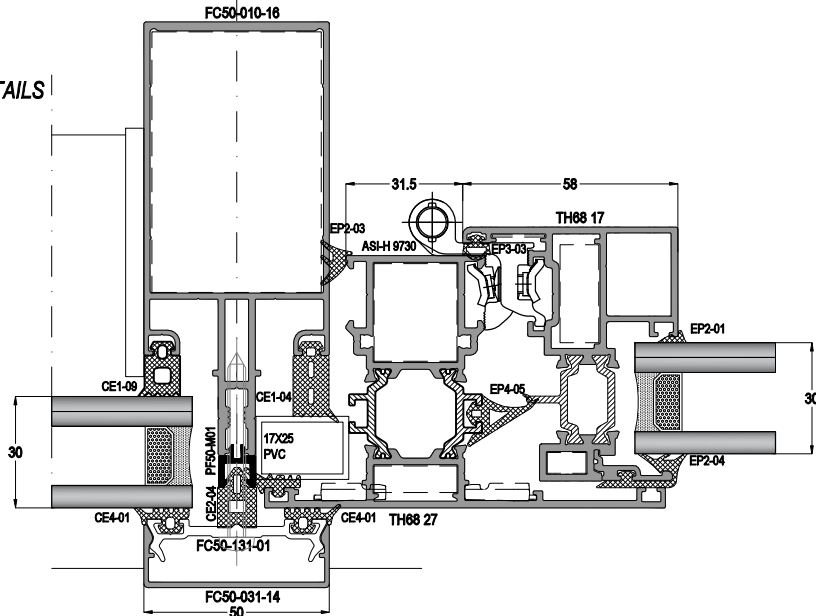
TE 62
PENCERE AÇILIM DETAYLARI
INWARD OPENING WINDOW DETAILS



TH 62-HV
PENCERE AÇILIM DETAYLARI
INWARD OPENING WINDOW DETAILS

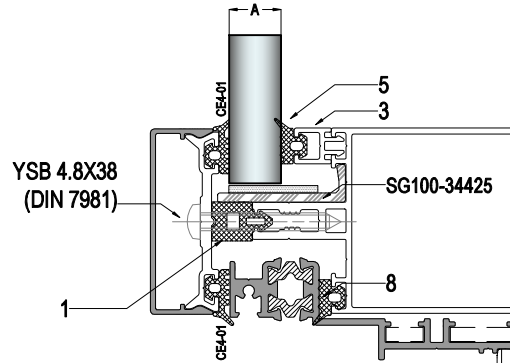
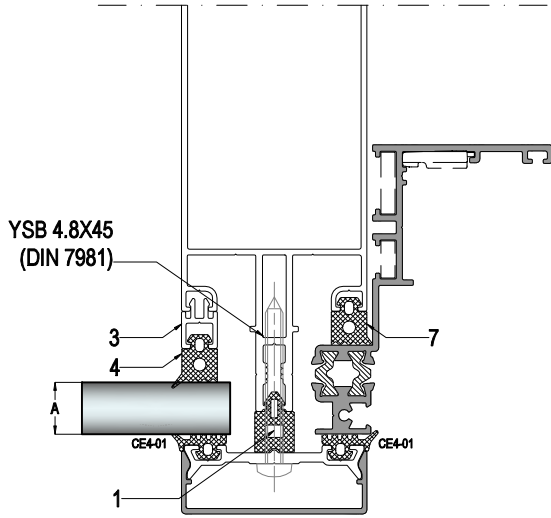


TH 68-HV
PENCERE AÇILIM DETAYLARI
INWARD OPENING WINDOW DETAILS





CAM TABLOSU / GLAZING BEAD (CE2-04)

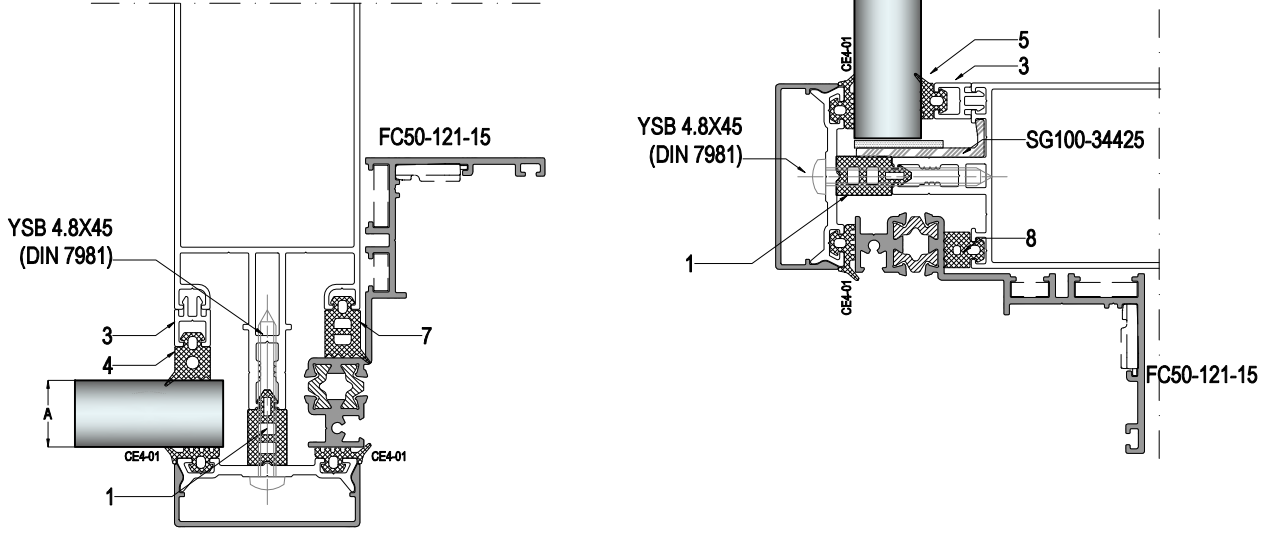


KASA PROFİLİ / FRAME PROFILE

A	1	2	3	4	5	KOD /CODE	6	7	8
CAM KALINLIĞI GLAZING THICKNESS	ORTA BASKI FİTİLİ CENTER PRESSURE GASKET	PVC ADAPTÖR PVC ADAPTER	UZATMA PROFİLİ EXTENSION PROFILE	DÜŞEY FİTİL VERTICAL GASKET	YATAY FİTİL HORIZONTAL GASKET		UZATMA PROFİLİ EXTENSION PROFILE	DÜŞEY FİTİL VERTICAL GASKET	YATAY FİTİL HORIZONTAL GASKET
6 mm	CE2-04	-	FC12-117-12	CE1-04	CE1-09	FC50-121-15	FC12-117-12	CE1-04	CE1-09
8 mm	CE2-04	-	FC12-117-12	CE1-08	CE1-03	FC50-122-23	-	CE1-03	CE1-06
10 mm	CE2-04	-	FC12-117-12	CE1-07	CE1-05				
12 mm	CE2-04	-	FC12-117-12	CE1-09	CE1-02				
14 mm	CE2-04	-	FC12-117-12	CE1-03	CE1-06				
16 mm	CE2-04	-	-	CE1-04	CE1-09				
18 mm	CE2-04	-	-	CE1-08	CE1-03				
20 mm	CE2-04	-	-	CE1-07	CE1-05				
22 mm	CE2-04	-	-	CE1-09	CE1-02				
24 mm	CE2-04	-	-	CE1-03	CE1-06				



CAM TABLOSU / GLAZING BEAD (CE2-05)

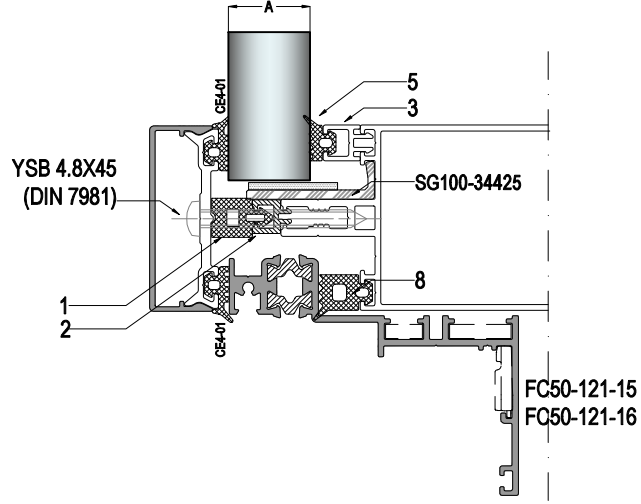
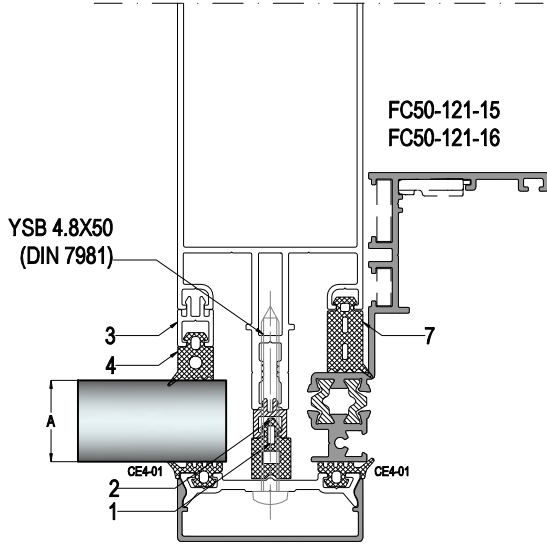


KASA PROFİLİ / FRAME PROFILE

A	1	2	3	4	5	KOD /CODE	6	7	8
CAM KALINLIĞI GLAZING THICKNESS	ORTA BASKI FİTİLİ CENTER PRESSURE GASKET	PVC ADAPTÖR PVC ADAPTER	UZATMA PROFİLİ EXTENSION PROFILE	DÜŞEY FİTİL VERTICAL GASKET	YATAY FİTİL HORIZONTAL GASKET		UZATMA PROFİLİ EXTENSION PROFILE	DÜŞEY FİTİL VERTICAL GASKET	YATAY FİTİL HORIZONTAL GASKET
6	CE2-05	-	FC12-117-12 + FC12-117-12	CE1-09	CE1-02	FC50-121-15	FC12-117-12	CE1-04	CE1-09
8	CE2-05	-	FC12-117-12 + FC12-117-12	CE1-03	CE1-06	FC50-122-23	-	CE1-07	CE1-05
10	CE2-05	-	FC12-117-12	CE1-04	CE1-09				
12	CE2-05	-	FC12-117-12	CE1-08	CE1-03				
14	CE2-05	-	FC12-117-12	CE1-07	CE1-05				
16	CE2-05	-	FC12-117-12	CE1-09	CE1-02				
18	CE2-05	-	FC12-117-12	CE1-03	CE1-06				
20	CE2-05	-	-	CE1-04	CE1-09				
22	CE2-05	-	-	CE1-08	CE1-03				
24	CE2-05	-	-	CE1-07	CE1-05				
26	CE2-05	-	-	CE1-09	CE1-02				
28	CE2-05	-	-	CE1-03	CE1-06				



CAM TABLOSU / GLAZING BEAD (CE2-04+PF50-M01)

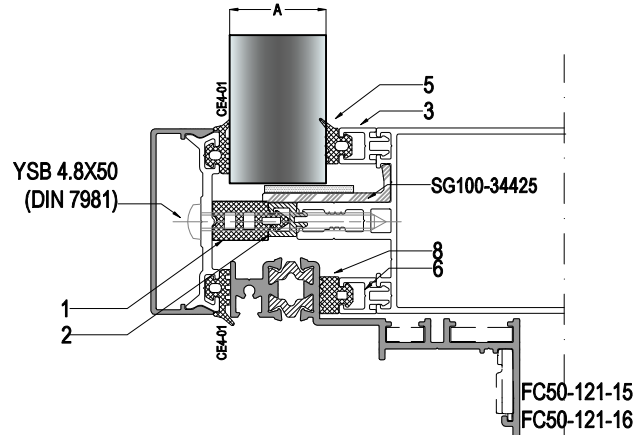
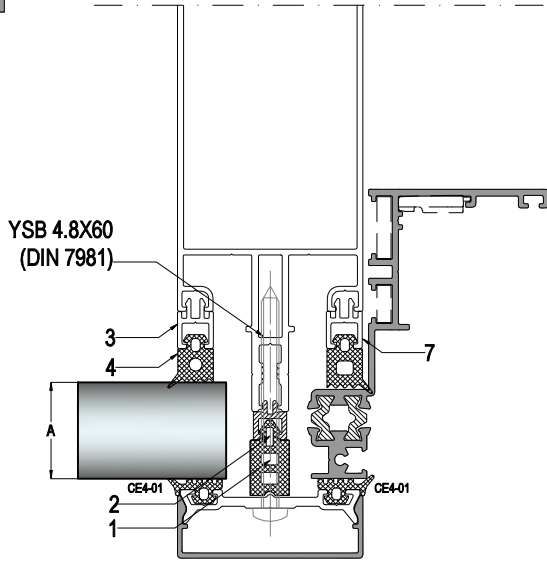


KASA PROFİLİ / FRAME PROFILE

A	1	2	3	4	5	KOD /CODE	6	7	8
CAM KALINLIĞI GLAZING THICKNESS	ORTA BASKI FİTİLİ CENTER PRESSURE GASKET	PVC ADAPTÖR PVC ADAPTER	UZATMA PROFİLİ EXTENSION PROFILE	DÜŞEY FİTİL VERTICAL GASKET	YATAY FİTİL HORIZONTAL GASKET		UZATMA PROFİLİ EXTENSION PROFILE	DÜŞEY FİTİL VERTICAL GASKET	YATAY FİTİL HORIZONTAL GASKET
6	CE2-04	PF50-M01	FC12-117-12 + FC12-117-12	CE1-08	CE1-03	FC50-121-15	FC12-117-12	CE1-04	CE1-09
8	CE2-04	PF50-M01	FC12-117-12 + FC12-117-12	CE1-07	CE1-05	FC50-121-16	-	CE1-03	CE1-06
10	CE2-04	PF50-M01	FC12-117-12 + FC12-117-12	CE1-09	CE1-02	FC50-122-23	-	CE1-04	CE1-09
12	CE2-04	PF50-M01	FC12-117-12 + FC12-117-12	CE1-03	CE1-06				
14	CE2-04	PF50-M01	FC12-117-12	CE1-04	CE1-09				
16	CE2-04	PF50-M01	FC12-117-12	CE1-08	CE1-03				
18	CE2-04	PF50-M01	FC12-117-12	CE1-07	CE1-05				
20	CE2-04	PF50-M01	FC12-117-12	CE1-09	CE1-02				
22	CE2-04	PF50-M01	FC12-117-12	CE1-03	CE1-06				
24	CE2-04	PF50-M01	-	CE1-04	CE1-09				
26	CE2-04	PF50-M01	-	CE1-08	CE1-03				
28	CE2-04	PF50-M01	-	CE1-07	CE1-05				
30	CE2-04	PF50-M01	-	CE1-09	CE1-02				
32	CE2-04	PF50-M01	-	CE1-03	CE1-06				



CAM TABLOSU / GLAZING BEAD (CE2-05+PF50-M01)

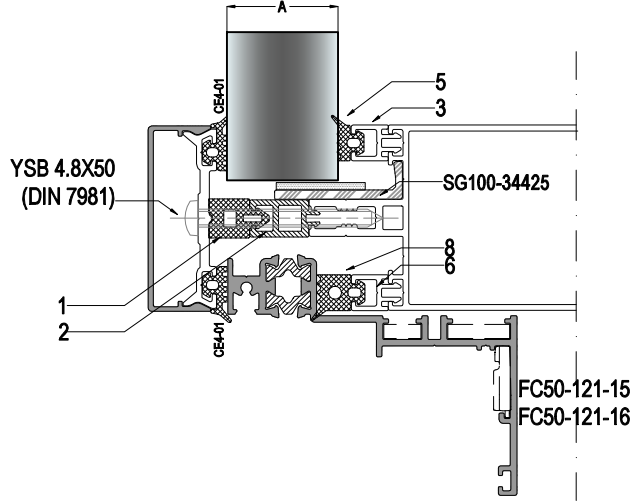
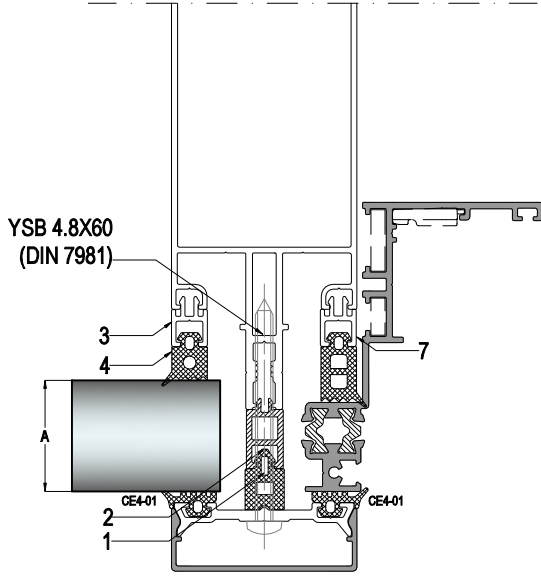


KASA PROFİLİ / FRAME PROFILE

A	1	2	3	4	5	KOD /CODE	6	7	8	
CAM KALINLIĞI GLAZING THICKNESS	ORTA BASKI FİTİLİ CENTER PRESSURE GASKET	PVC ADAPTÖR PVC ADAPTER	UZATMA PROFİLİ EXTENSION PROFILE	DÜŞEY FİTİL VERTICAL GASKET	YATAY FİTİL HORIZONTAL GASKET		UZATMA PROFİLİ EXTENSION PROFILE	DÜŞEY FİTİL VERTICAL GASKET	YATAY FİTİL HORIZONTAL GASKET	
6	CE2-05	PF50-M01	FC12-177-12 + FC12-117-12	CE1-09	CE1-02	FC50-121-15	FC12-117-12	CE1-09	CE1-02	
8	CE2-05	PF50-M01	FC12-177-12 + FC12-117-12	CE1-03	CE1-06	FC50-121-16	-	CE1-07	CE1-05	
10	CE2-05	PF50-M01	FC12-117-12 + FC12-117-12	CE1-08	CE1-03	FC50-121-17	-	CE1-03	CE1-06	
12	CE2-05	PF50-M01	FC12-117-12 + FC12-117-12	CE1-07	CE1-05					
14	CE2-05	PF50-M01	FC12-117-12 + FC12-117-12	CE1-09	CE1-02					
16	CE2-05	PF50-M01	FC12-117-12 + FC12-117-12	CE1-03	CE1-06					
18	CE2-05	PF50-M01	FC12-117-12	CE1-04	CE1-09					
20	CE2-05	PF50-M01	FC12-117-12	CE1-08	CE1-03					
22	CE2-05	PF50-M01	FC12-117-12	CE1-07	CE1-05					
24	CE2-05	PF50-M01	FC12-117-12	CE1-09	CE1-02					
26	CE2-05	PF50-M01	FC12-117-12	CE1-03	CE1-06					
28	CE2-05	PF50-M01	-	CE1-04	CE1-09					
30	CE2-05	PF50-M01	-	CE1-08	CE1-03					
32	CE2-05	PF50-M01	-	CE1-07	CE1-05					
34	CE2-05	PF50-M01	-	CE1-09	CE1-02					
36	CE2-05	PF50-M01	-	CE1-03	CE1-06					



CAM TABLOSU / GLAZING BEAD
(CE2-04+PF50-M02)

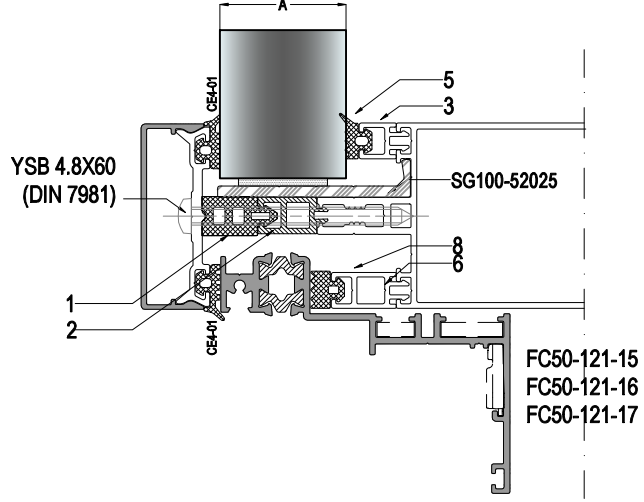
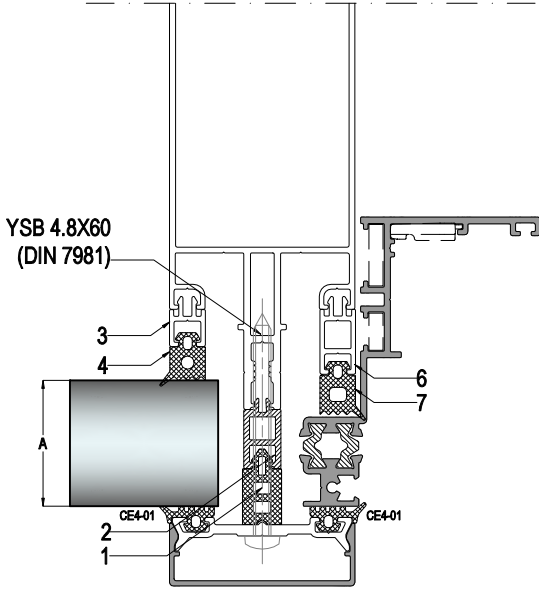


KASA PROFİLİ / FRAME PROFILE

A	1	2	3	4	5	KOD /CODE	6	7	8	
CAM KALINLIĞI GLAZING THICKNESS	ORTA BASKI FİTİLİ CENTER PRESSURE GASKET	PVC ADAPTÖR PVC ADAPTER	UZATMA PROFİLİ EXTENSION PROFILE	DÜŞEY FİTİL VERTICAL GASKET	YATAY FİTİL HORIZONTAL GASKET		UZATMA PROFİLİ EXTENSION PROFILE	DÜŞEY FİTİL VERTICAL GASKET	YATAY FİTİL HORIZONTAL GASKET	
6	CE2-04	PF50-M02	FC12-177-12 + FC12-117-12	CE1-08	CE1-03	FC50-121-15	FC12-117-12	CE1-09	CE1-02	
8	CE2-04	PF50-M02	FC12-177-12 + FC12-117-12	CE1-07	CE1-05	FC50-121-16	-	CE1-07	CE1-05	
10	CE2-04	PF50-M02	FC12-117-12 + FC12-117-12	CE1-09	CE1-02	FC50-121-17	-	CE1-03	CE1-06	
12	CE2-04	PF50-M02	FC12-117-12 + FC12-117-12	CE1-03	CE1-06					
14	CE2-04	PF50-M02	FC12-117-12 + FC12-117-12	CE1-08	CE1-03					
16	CE2-04	PF50-M02	FC12-117-12 + FC12-117-12	CE1-07	CE1-05					
18	CE2-04	PF50-M02	FC12-117-12 + FC12-117-12	CE1-09	CE1-02					
20	CE2-04	PF50-M02	FC12-117-12 + FC12-117-12	CE1-03	CE1-06					
22	CE2-04	PF50-M02	FC12-117-12	CE1-04	CE1-09					
24	CE2-04	PF50-M02	FC12-117-12	CE1-08	CE1-03					
26	CE2-04	PF50-M02	FC12-117-12	CE1-07	CE1-05					
28	CE2-04	PF50-M02	FC12-117-12	CE1-09	CE1-02					
30	CE2-04	PF50-M02	FC12-117-12	CE1-03	CE1-06					
32	CE2-04	PF50-M02	-	CE1-04	CE1-09					
34	CE2-04	PF50-M02	-	CE1-08	CE1-03					
36	CE2-04	PF50-M02	-	CE1-07	CE1-05					
38	CE2-04	PF50-M02	-	CE1-09	CE1-02					
40	CE2-04	PF50-M02	-	CE1-03	CE1-06					



CAM TABLOSU / GLAZING BEAD (CE2-05+PF50-M02)

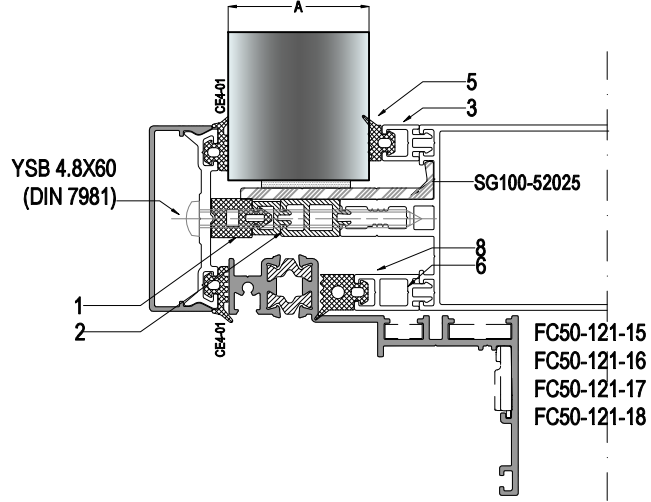
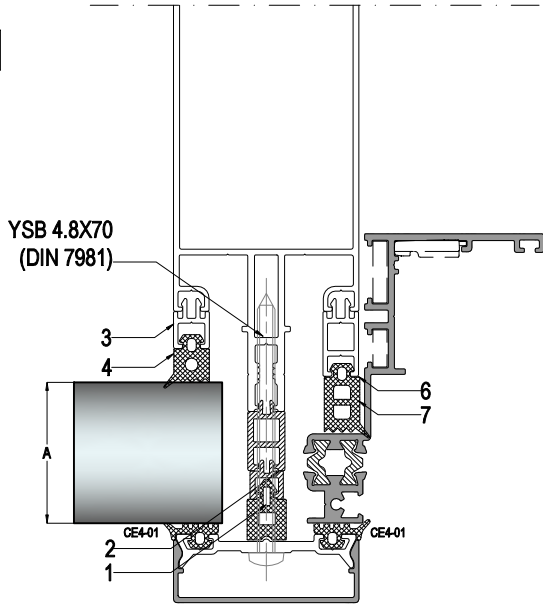


KASA PROFİLİ / FRAME PROFILE

A	1	2	3	4	5	KOD /CODE	6	7	8
CAM KALINLIĞI GLAZING THICKNESS	ORTA BASKI FİTİLİ CENTER PRESSURE GASKET	PVC ADAPTÖR PVC ADAPTER	UZATMA PROFİLİ EXTENSION PROFILE	DÜŞEY FİTİL VERTICAL GASKET	YATAY FİTİL HORIZONTAL GASKET		UZATMA PROFİLİ EXTENSION PROFILE	DÜŞEY FİTİL VERTICAL GASKET	YATAY FİTİL HORIZONTAL GASKET
24	CE2-05	PF50-M02	FC12-177-12	CE1-09	CE1-02	FC50-121-15	FC12-177-12	CE1-09	CE1-02
26	CE2-05	PF50-M02	FC12-177-12	CE1-03	CE1-06	FC50-121-16	FC12-117-12	CE1-09	CE1-02
28	CE2-05	PF50-M02	FC12-117-12	CE1-08	CE1-03	FC50-121-17	-	CE1-04	CE1-09
30	CE2-05	PF50-M02	FC12-117-12	CE1-07	CE1-05				
32	CE2-05	PF50-M02	FC12-117-12	CE1-09	CE1-02				
34	CE2-05	PF50-M02	FC12-117-12	CE1-03	CE1-06				
36	CE2-05	PF50-M02	-	CE1-04	CE1-09				
38	CE2-05	PF50-M02	-	CE1-08	CE1-03				
40	CE2-05	PF50-M02	-	CE1-07	CE1-05				
42	CE2-05	PF50-M02	-	CE1-09	CE1-02				
44	CE2-05	PF50-M02	-	CE1-03	CE1-06				

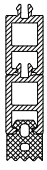


CAM TABLOSU / GLAZING BEAD (CE2-04+PF50-M01+PF50-M02)

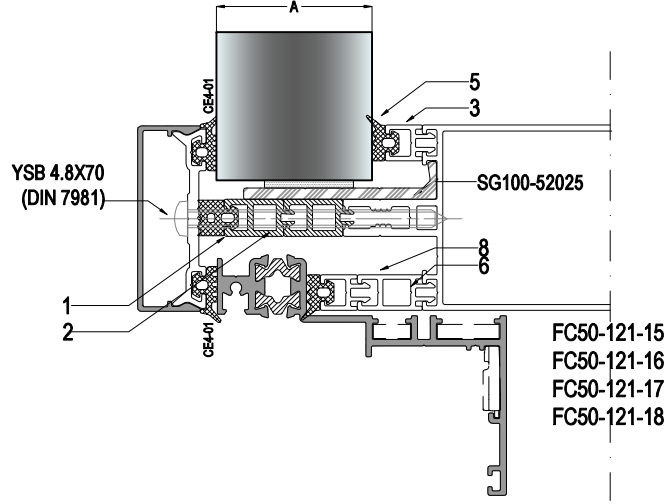
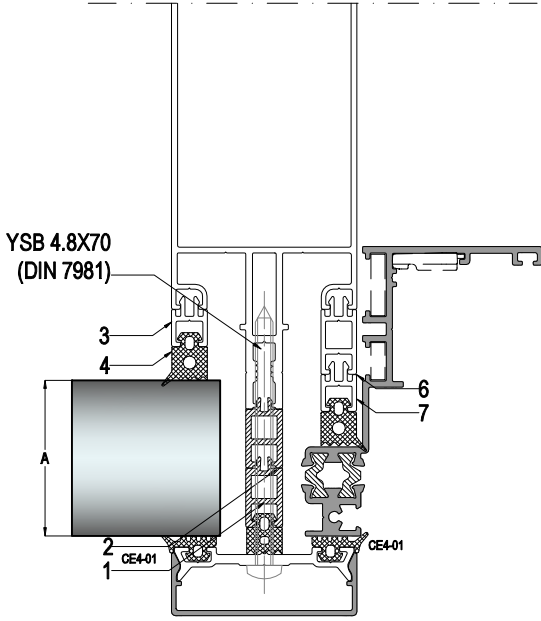


KASA PROFİLİ / FRAME PROFILE

A	1	2	3	4	5	KOD /CODE	6	7	8
CAM KALINLIĞI GLAZING THICKNESS	ORTA BASKI FİTİLİ CENTER PRESSURE GASKET	PVC ADAPTÖR PVC ADAPTER	UZATMA PROFİLİ EXTENSION PROFILE	DÜŞEY FİTİL VERTICAL GASKET	YATAY FİTİL HORIZONTAL GASKET		UZATMA PROFİLİ EXTENSION PROFILE	DÜŞEY FİTİL VERTICAL GASKET	YATAY FİTİL HORIZONTAL GASKET
24	CE2-04	PF50-M01 PF50-M02	FC12-177-12	CE1-08	CE1-03	FC50-121-15	FC12-177-12	CE1-08	CE1-03
26	CE2-04	PF50-M01 PF50-M02	FC12-177-12	CE1-07	CE1-05	FC50-121-16	FC12-117-12	CE1-08	CE1-03
28	CE2-04	PF50-M01 PF50-M02	FC12-177-12	CE1-09	CE1-02	FC50-121-17	FC12-117-12	CE1-04	CE1-09
30	CE2-04	PF50-M01 PF50-M02	FC12-177-12	CE1-03	CE1-06	FC50-121-18	-	CE1-09	CE1-02
32	CE2-04	PF50-M01 PF50-M02	FC12-117-12	CE1-08	CE1-03				
34	CE2-04	PF50-M01 PF50-M02	FC12-117-12	CE1-07	CE1-05				
36	CE2-04	PF50-M01 PF50-M02	FC12-117-12	CE1-09	CE1-02				
38	CE2-04	PF50-M01 PF50-M02	FC12-117-12	CE1-03	CE1-06				
40	CE2-04	PF50-M01 PF50-M02	-	CE1-04	CE1-09				
42	CE2-04	PF50-M01 PF50-M02	-	CE1-08	CE1-03				
44	CE2-04	PF50-M01 PF50-M02	-	CE1-07	CE1-05				
46	CE2-04	PF50-M01 PF50-M02	-	CE1-09	CE1-02				
48	CE2-04	PF50-M01 PF50-M02	-	CE1-03	CE1-06				



CAM TABLOSU / GLAZING BEAD
(CE1-05+PF50-M02+PF50-M02)

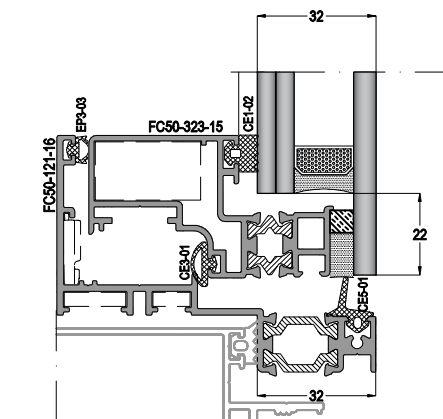
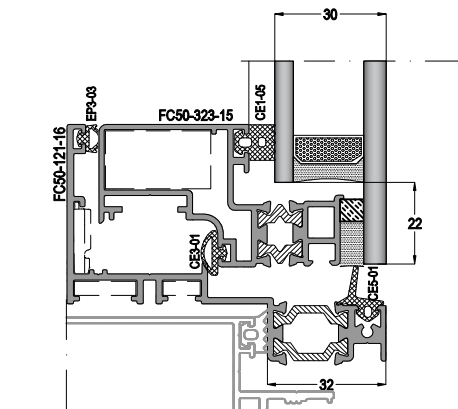
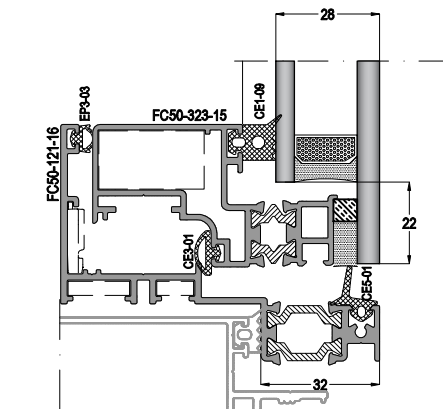
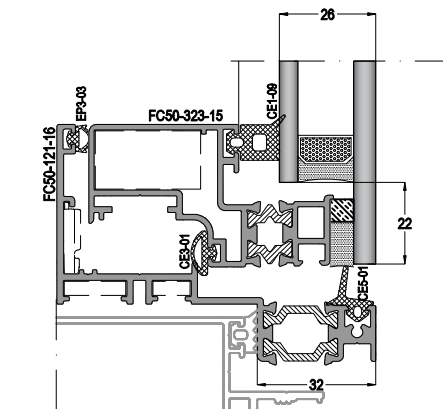
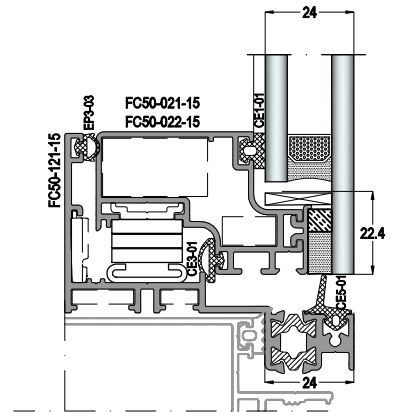
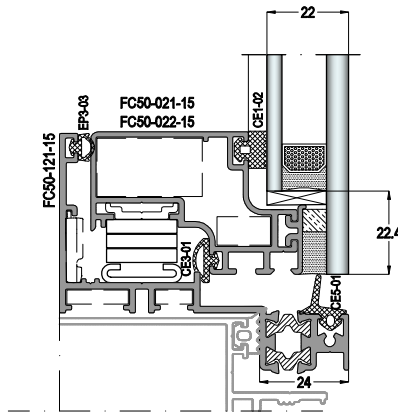
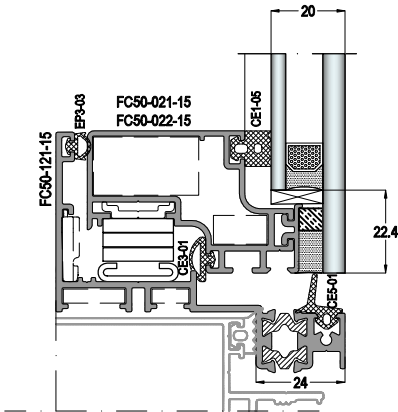


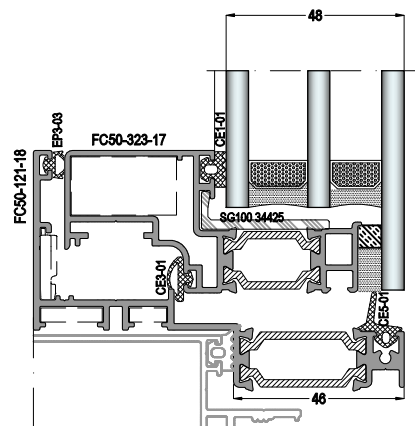
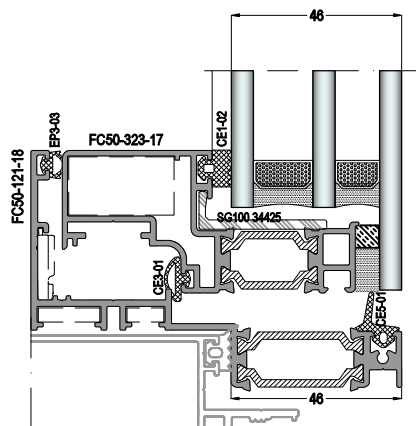
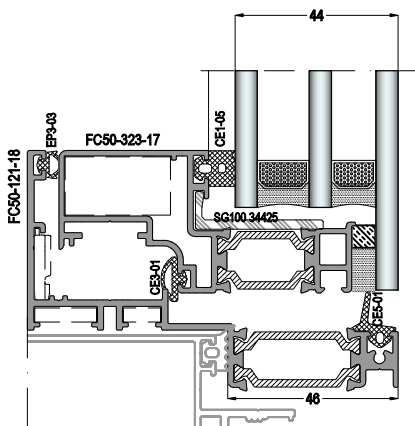
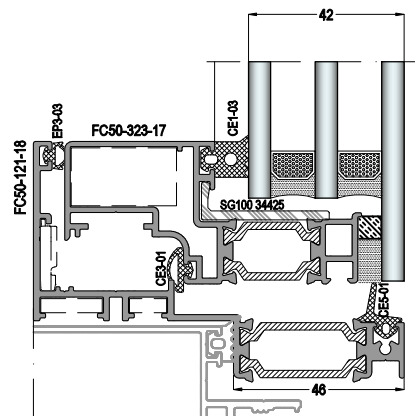
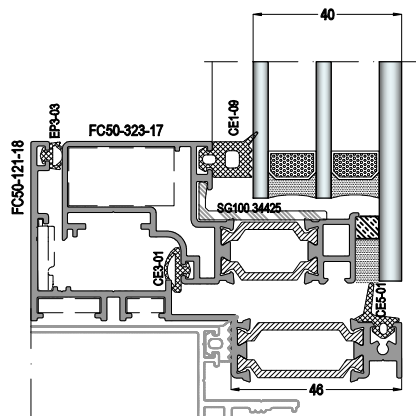
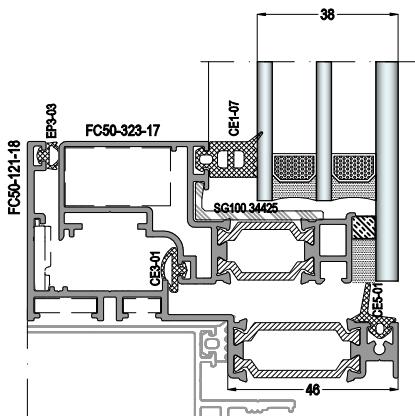
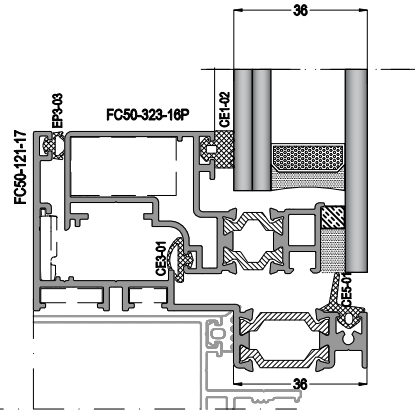
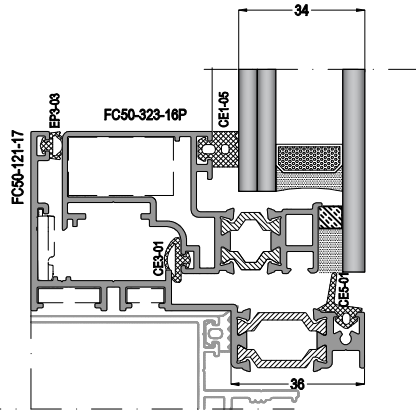
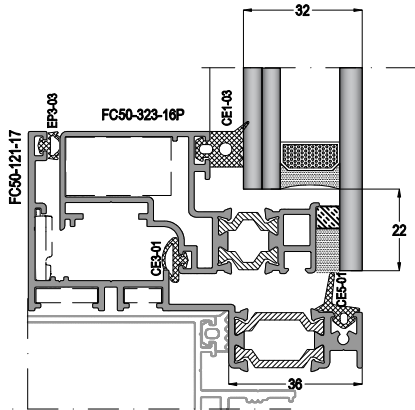
KASA PROFİLİ / FRAME PROFILE

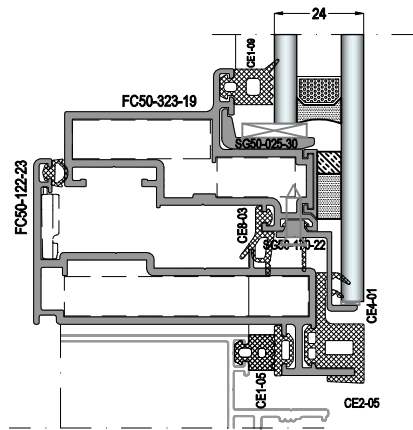
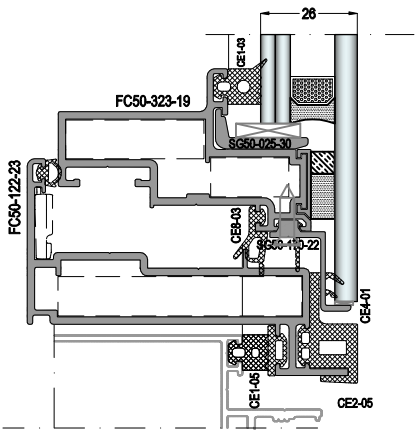
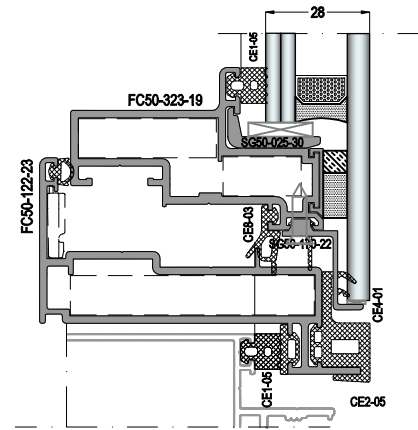
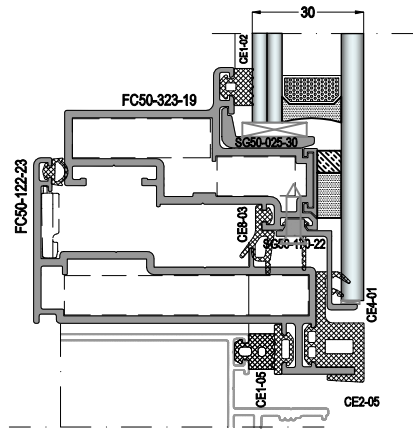
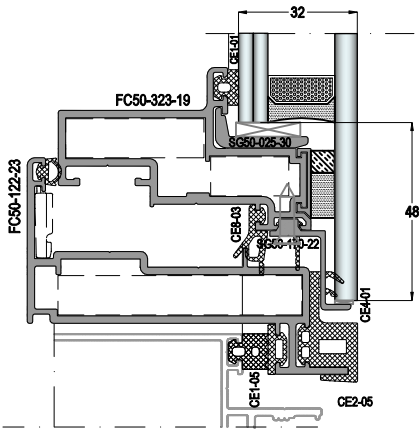
A	1	2	3	4	5	KOD /CODE	6	7	8
CAM KALINLIĞI GLAZING THICKNESS	ORTA BASKI FİTİLİ CENTER PRESSURE GASKET	PVC ADAPTÖR PVC ADAPTER	UZATMA PROFİLİ EXTENSION PROFILE	DÜŞEY FİTİL VERTICAL GASKET	YATAY FİTİL HORIZONTAL GASKET		UZATMA PROFİLİ EXTENSION PROFILE	DÜŞEY FİTİL VERTICAL GASKET	YATAY FİTİL HORIZONTAL GASKET
24	CE1-05	PF50-M02 PF50-M02	FC12-177-12 FC12-117-12	CE1-03	CE1-06	FC50-121-15	FC12-177-12 FC12-117-12	CE1-03	CE1-06
26	CE1-05	PF50-M02 PF50-M02	FC12-177-12	CE1-04	CE1-09	FC50-121-16	FC12-177-12	CE1-09	CE1-02
28	CE1-05	PF50-M02 PF50-M02	FC12-177-12	CE1-08	CE1-03	FC50-121-17	FC12-117-12	CE1-08	CE1-03
30	CE1-05	PF50-M02 PF50-M02	FC12-177-12	CE1-07	CE1-05	FC50-121-18	-	CE1-07	CE1-05
32	CE1-05	PF50-M02 PF50-M02	FC12-177-12	CE1-09	CE1-02				
34	CE1-05	PF50-M02 PF50-M02	FC12-177-12	CE1-03	CE1-06				
36	CE1-05	PF50-M02 PF50-M02	FC12-117-12	CE1-08	CE1-03				
38	CE1-05	PF50-M02 PF50-M02	FC12-117-12	CE1-07	CE1-05				
40	CE1-05	PF50-M02 PF50-M02	FC12-117-12	CE1-09	CE1-02				
42	CE1-05	PF50-M02 PF50-M02	FC12-117-12	CE1-03	CE1-06				
44	CE1-05	PF50-M02 PF50-M02	-	CE1-04	CE1-09				
46	CE1-05	PF50-M02 PF50-M02	-	CE1-08	CE1-03				
48	CE1-05	PF50-M02 PF50-M02	-	CE1-07	CE1-05				
50	CE1-05	PF50-M02 PF50-M02	-	CE1-09	CE1-02				
52	CE1-05	PF50-M02 PF50-M02	-	CE1-03	CE1-06				

FC50

CEPHE SISTEM
CURTAIN WALL SYSTEM







- YARI KAPAKLI CEPHE DETAYLARI / FC50-AS2

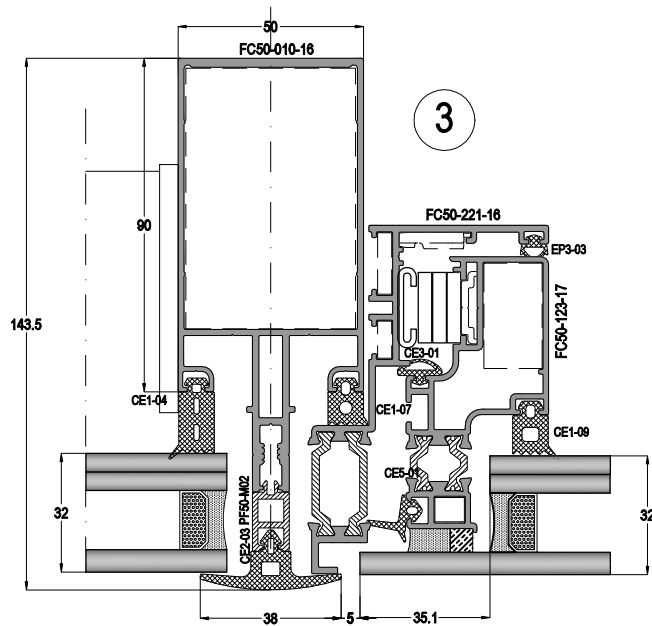
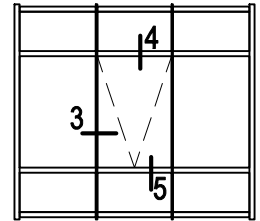
-SEMI CARPED CURTAIN WALL SYSTEM DETAILS / FC50-AS2

FC50

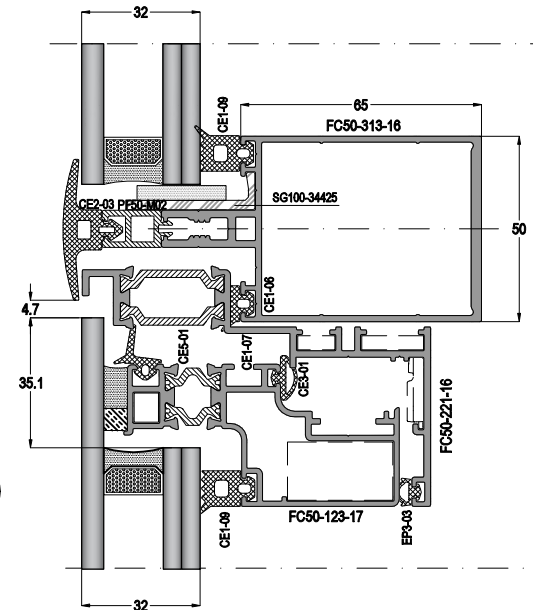
CEPHE SİSTEMİ
CURTAIN WALL SYSTEM



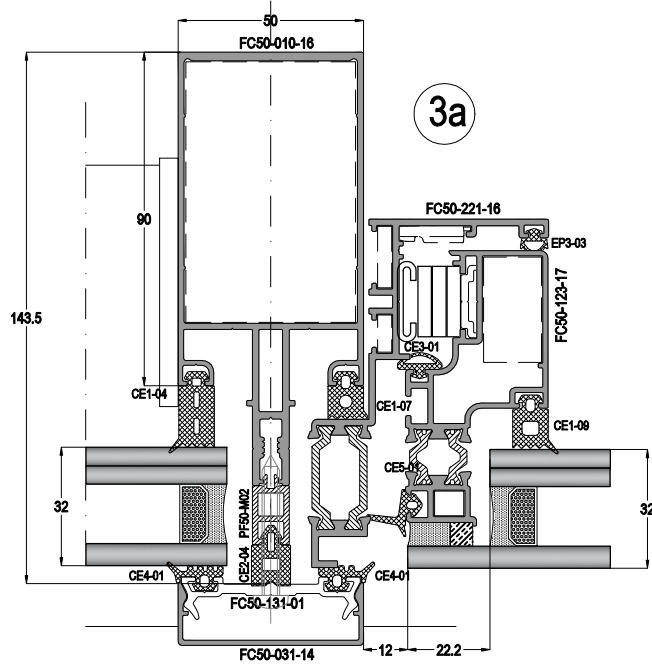
FC50-AS2 32mm Cam / 32mm Glass



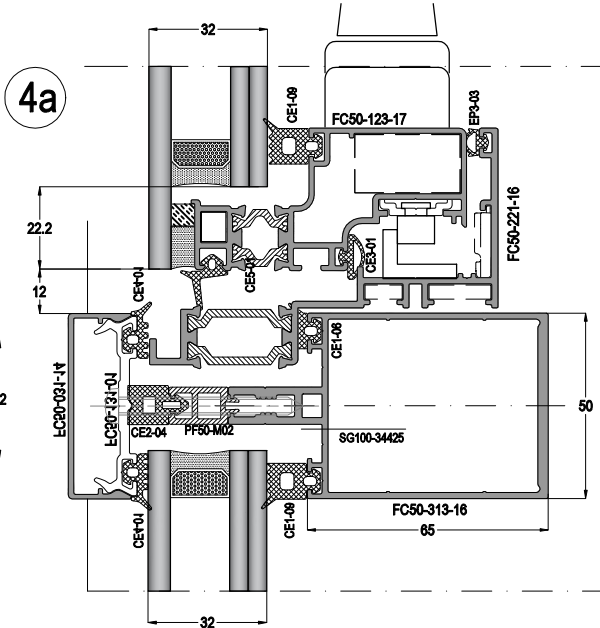
3



4



3a



4a

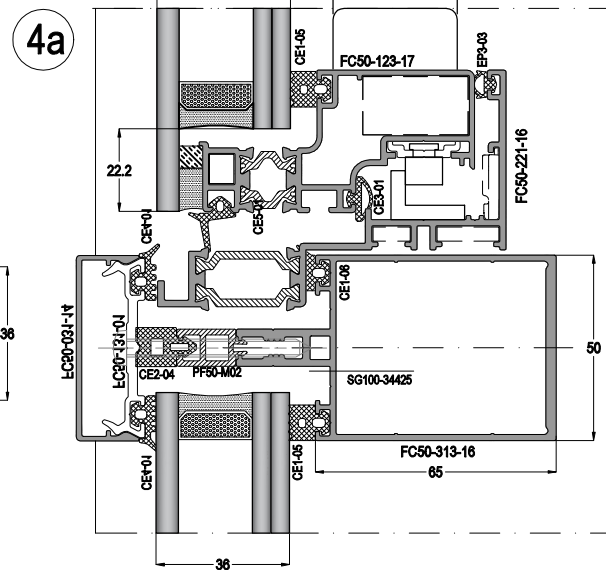
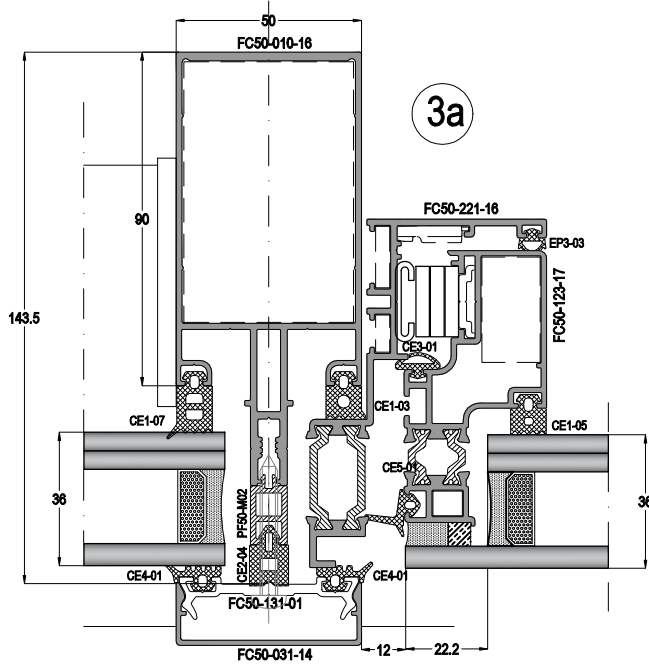
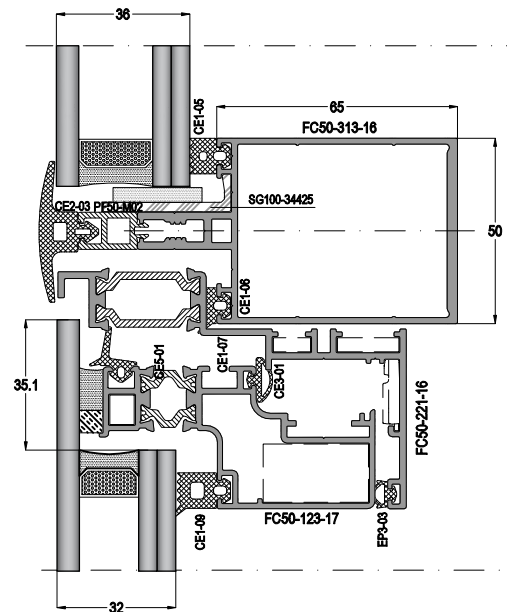
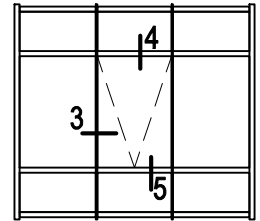
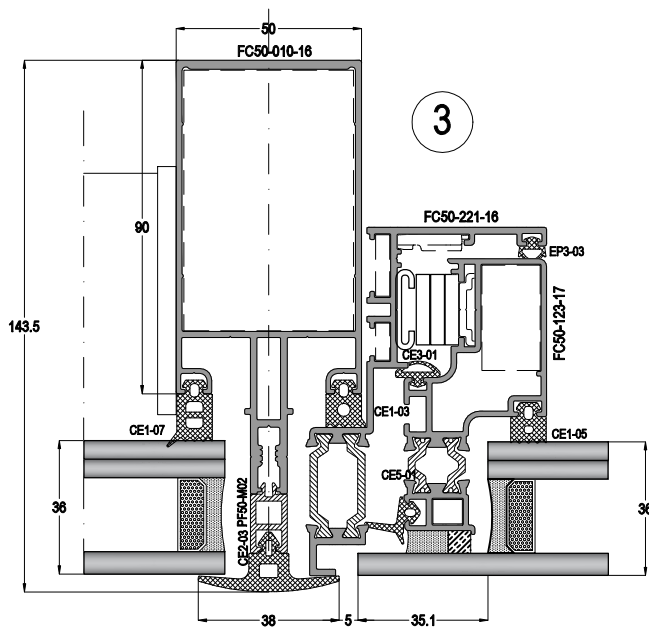
FC50

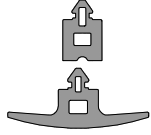
CEPHE SISTEMI
CURTAIN WALL SYSTEM



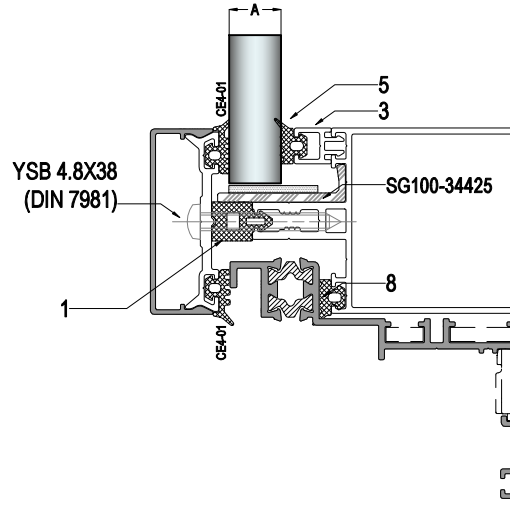
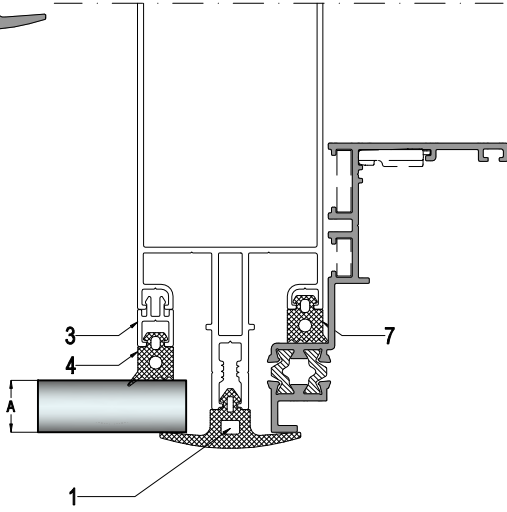
FC50-AS2

36mm Cam / 36mm Glass





CAM TABLOSU / GLAZING BEAD
(CE2-03)/(CE2-04)

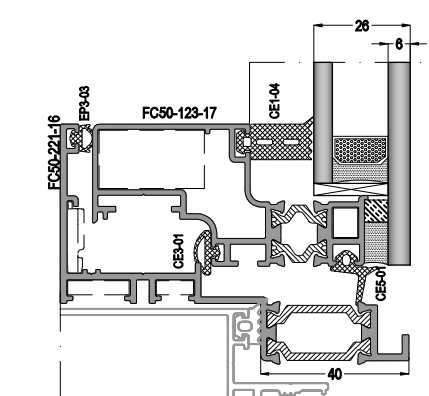
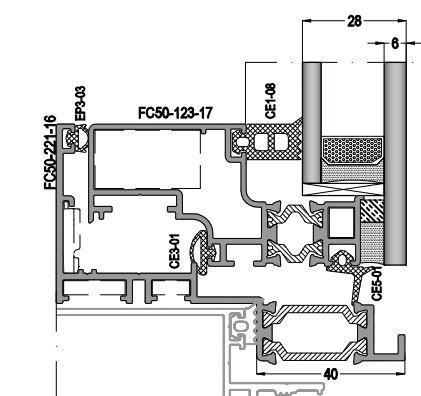
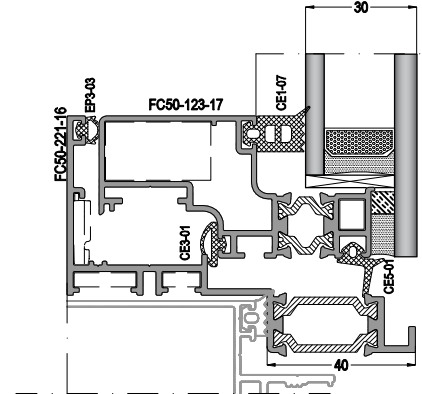
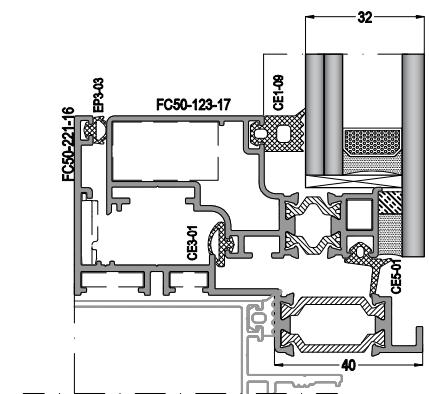
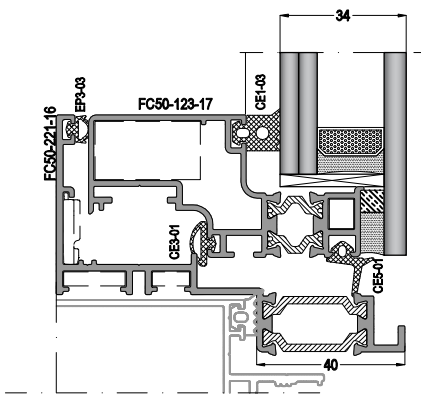
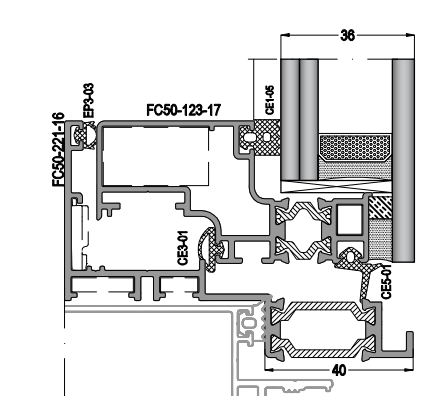
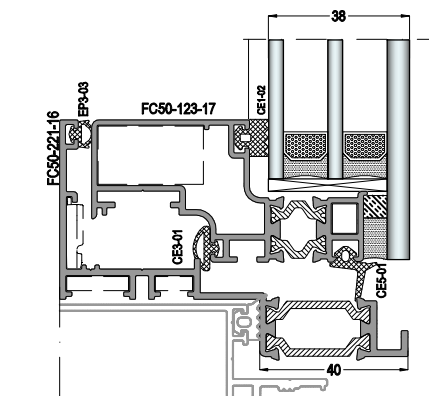
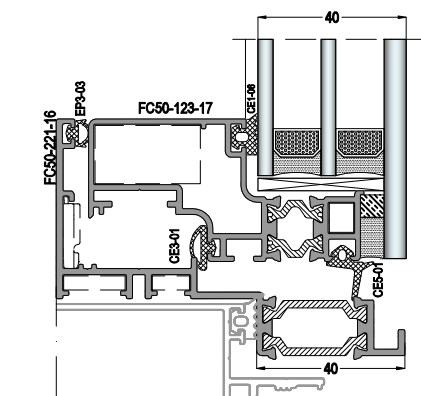
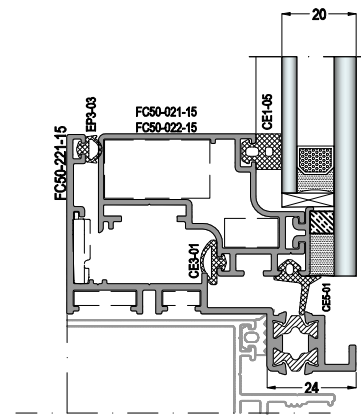
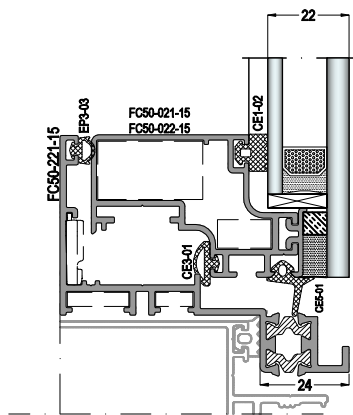
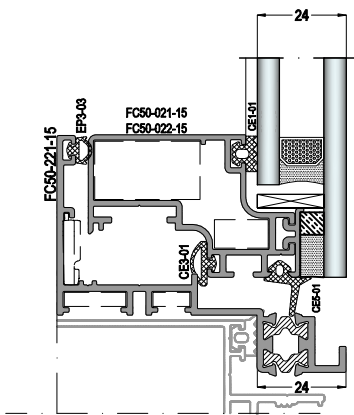


KASA PROFİLİ / FRAME PROFILE

A	1	2	3	4	5	KOD /CODE	6	7	8
CAM KALINLIĞI GLAZING THICKNESS	ORTA BASKI FİTİLİ CENTER PRESSURE GASKET	PVC ADAPTÖR PVC ADAPTER	UZATMA PROFİLİ EXTENSION PROFILE	DÜŞEY FİTİL VERTICAL GASKET	YATAY FİTİL HORIZONTAL GASKET		UZATMA PROFİLİ EXTENSION PROFILE	DÜŞEY FİTİL VERTICAL GASKET	YATAY FİTİL HORIZONTAL GASKET
6 mm	CE2-04/CE2-04	-	FC12-117-12	CE1-04	CE1-09	FC50-121-15		CE1-03	CE1-06
8 mm	CE2-04/CE2-04	-	FC12-117-12	CE1-08	CE1-03				
10 mm	CE2-04/CE2-04	-	FC12-117-12	CE1-07	CE1-05				
12 mm	CE2-04/CE2-04	-	FC12-117-12	CE1-09	CE1-02				
14 mm	CE2-04/CE2-04	-	FC12-117-12	CE1-03	CE1-06				
16 mm	CE2-04/CE2-04	-		CE1-04	CE1-09				
18 mm	CE2-04/CE2-04	-		CE1-08	CE1-03				
20 mm	CE2-04/CE2-04	-		CE1-07	CE1-05				
22 mm	CE2-04/CE2-04	-		CE1-09	CE1-02				
24 mm	CE2-04/CE2-04	-		CE1-03	CE1-06				

FC50

CEPHE SİSTEMİ
CURTAIN WALL SYSTEM



- KASETLÍ SLÍKON CEPHE / FC50-AS3

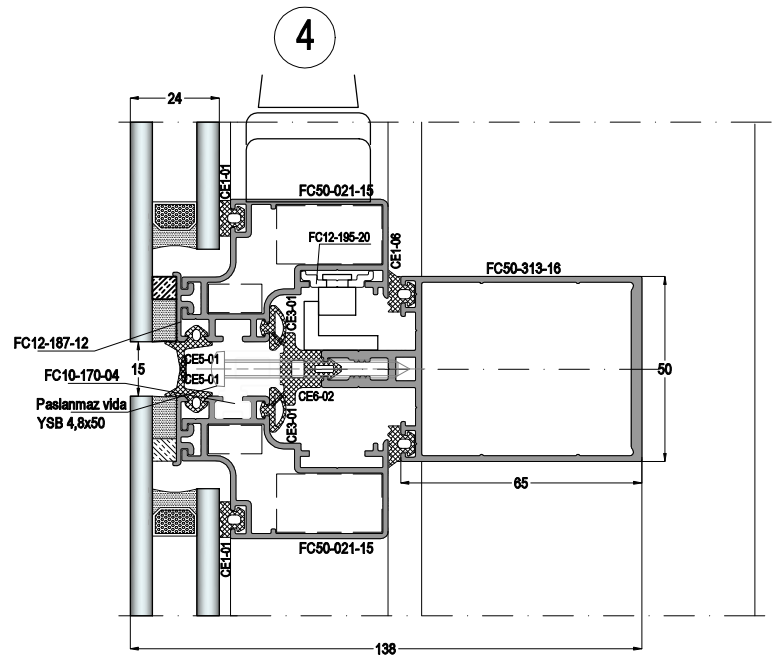
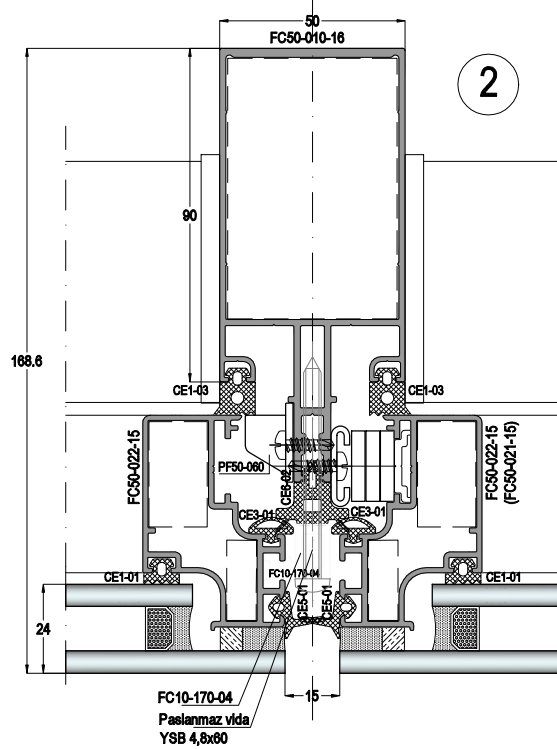
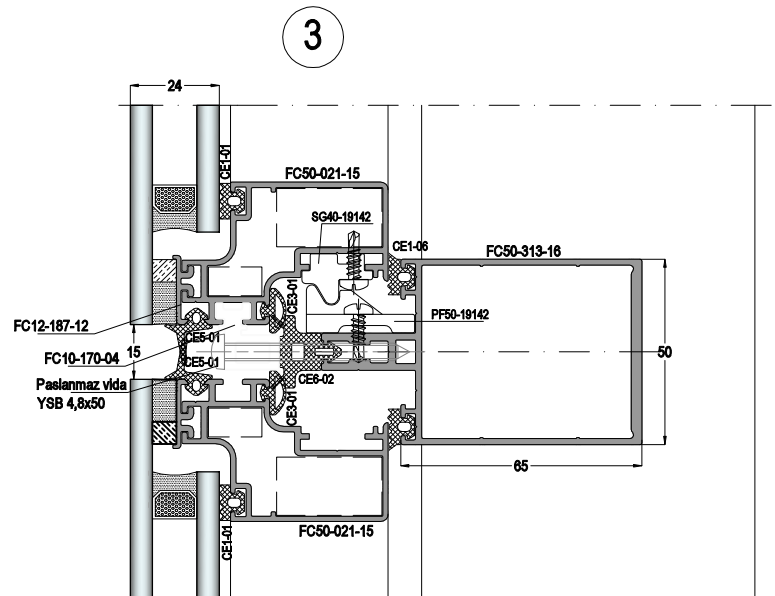
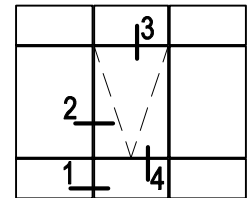
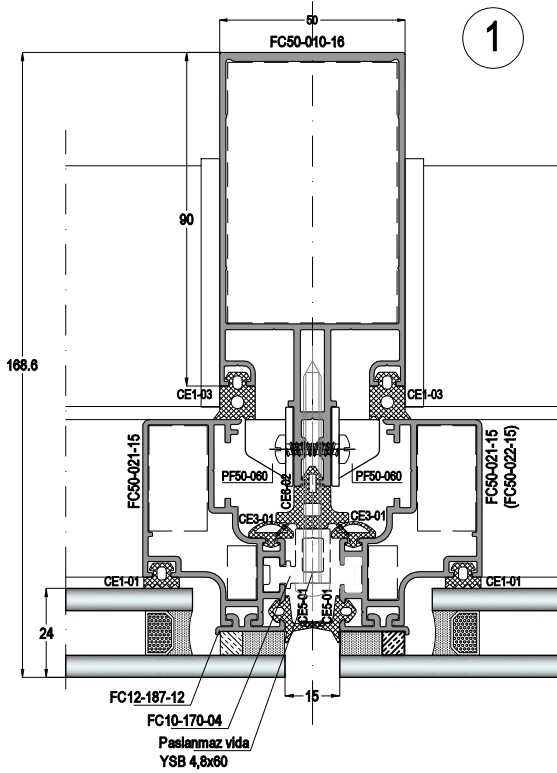
-MODUL SYSTEM WITH STRUCTURAL SYSTEM DETAILS / FC50-AS3

FC50

CEPHE SİSTEMİ
CURTAIN WALL SYSTEM



FC50-AS3

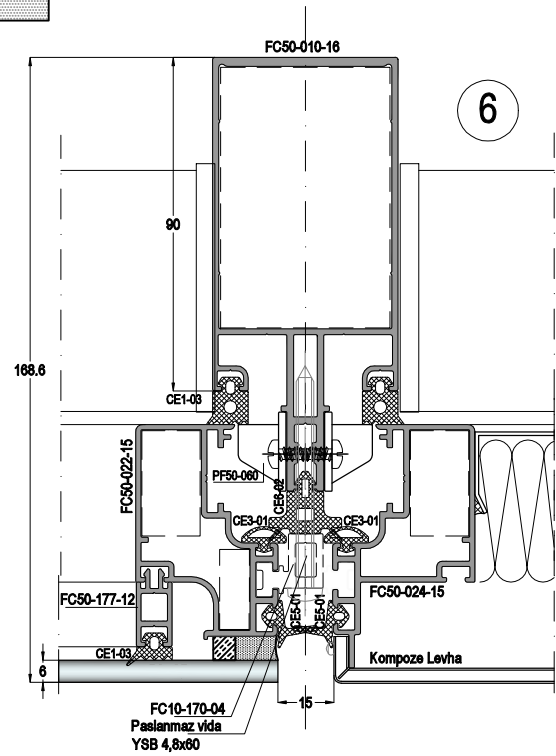
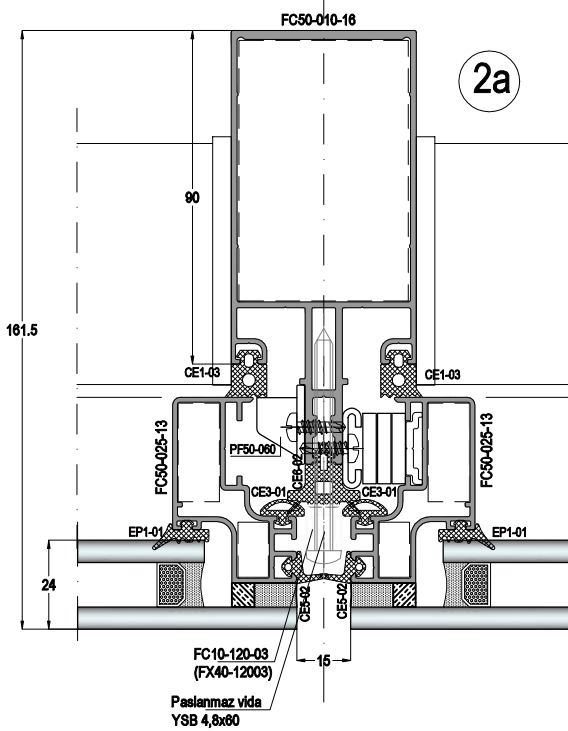
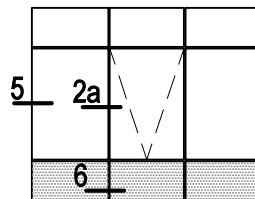
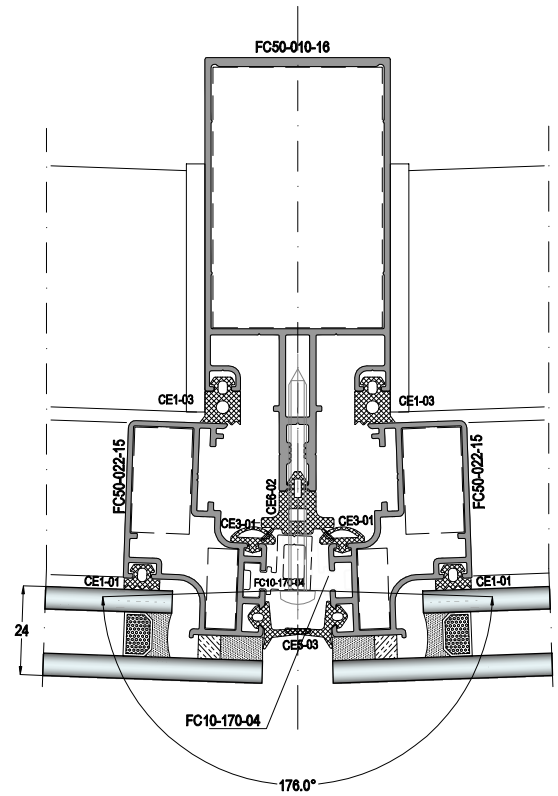
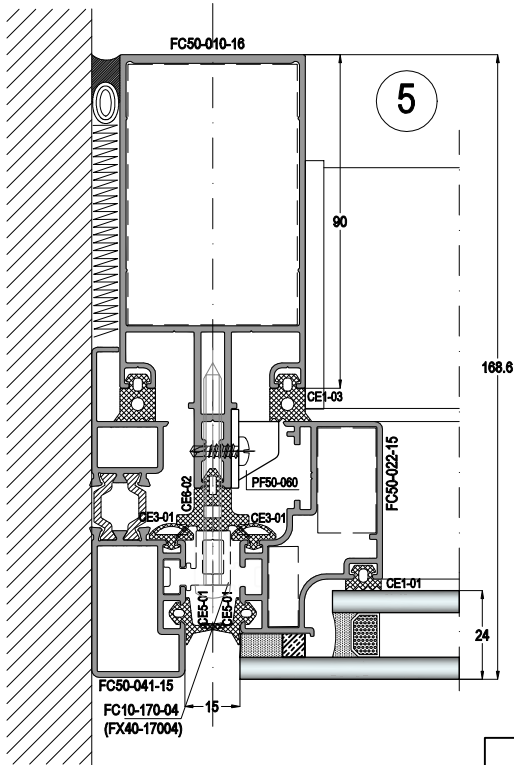


FC50

CEPHE SİSTEMİ
CURTAIN WALL SYSTEM



FC50-AS3

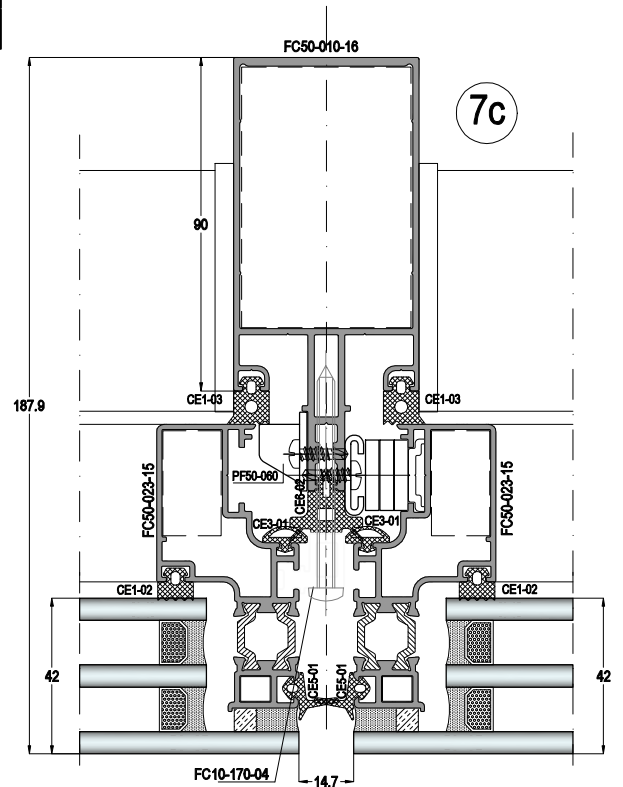
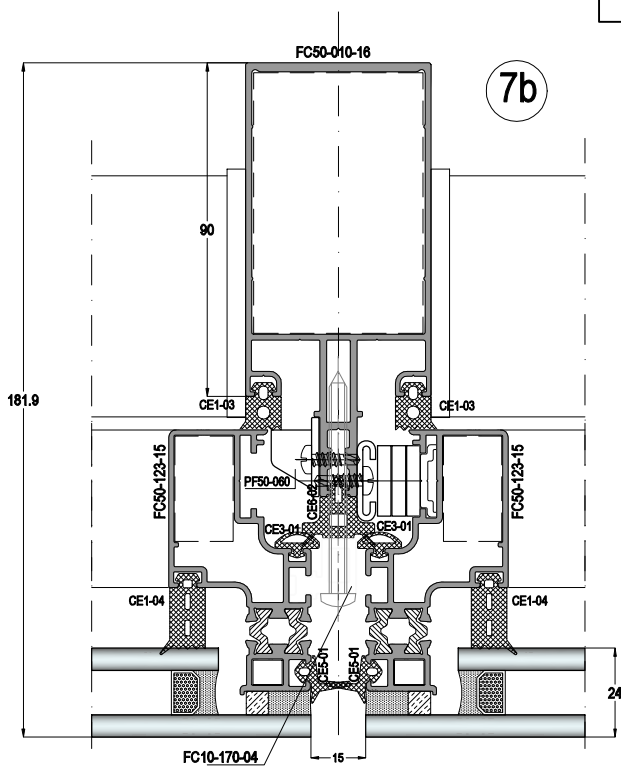
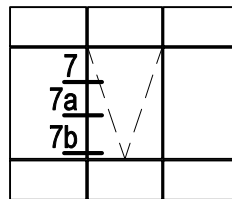
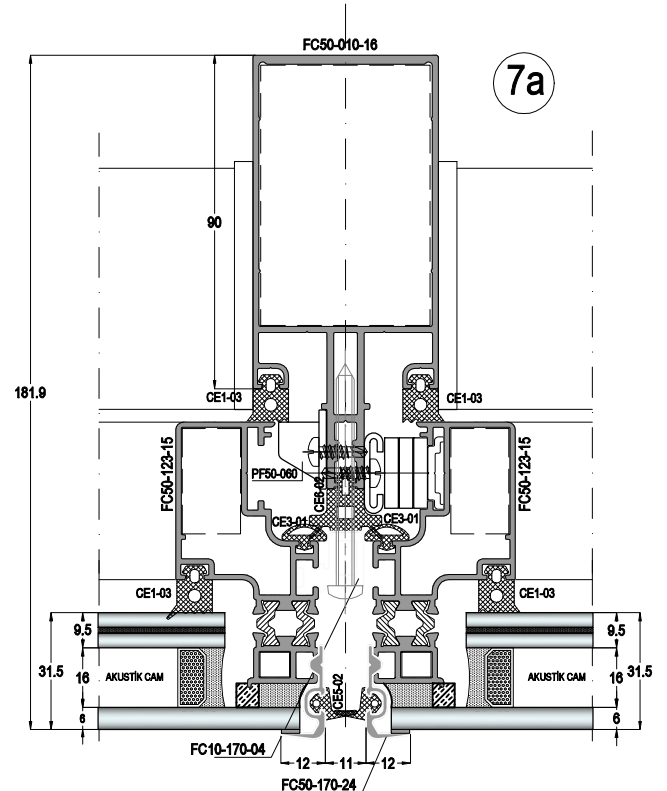
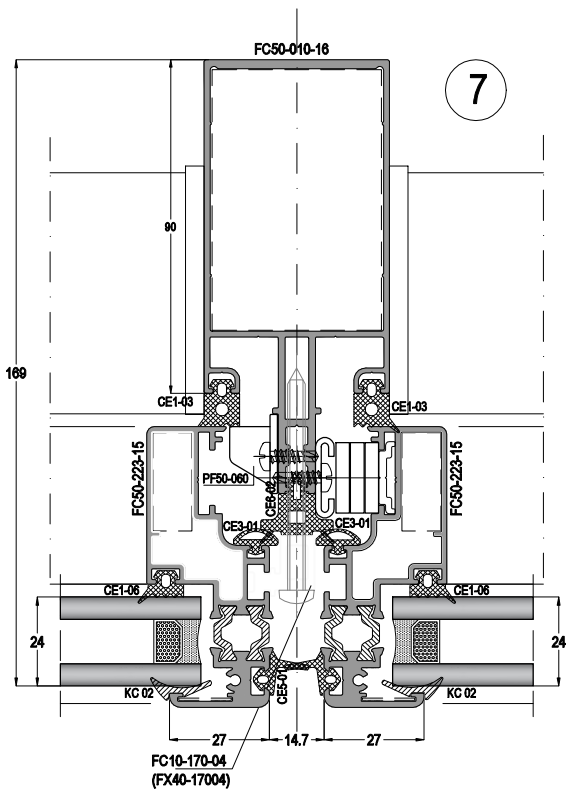


FC50

CEPHE SİSTEMİ
CURTAIN WALL SYSTEM



FC50-AS3

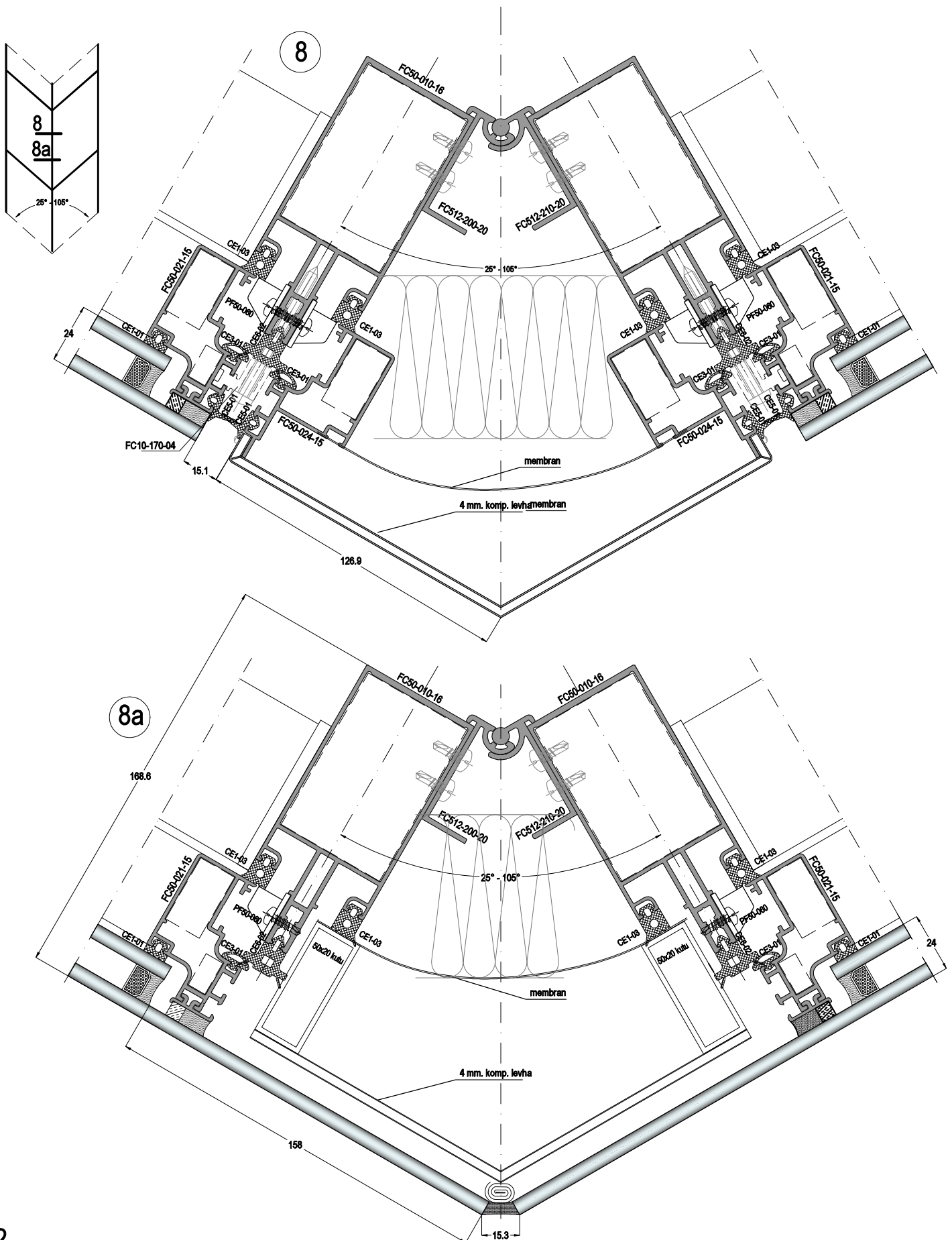


FC50

CEPHE SİSTEMİ
CURTAIN WALL SYSTEM



FC50-AS3

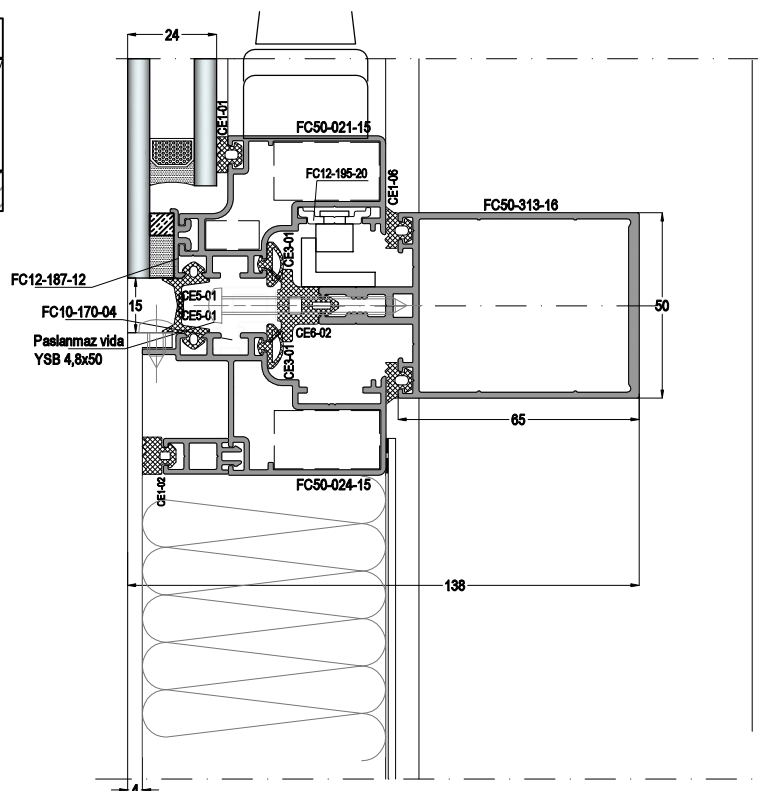
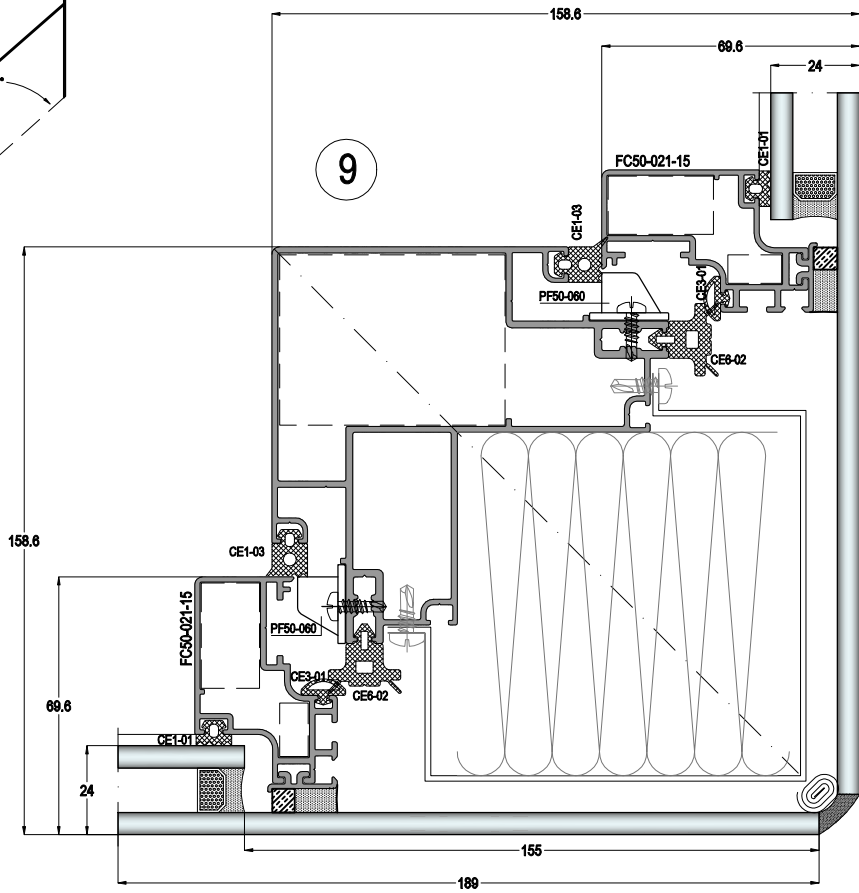
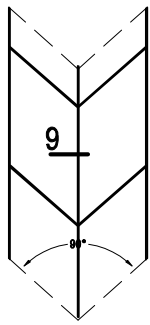


FC50

CEPHE SİSTEMİ
CURTAIN WALL SYSTEM

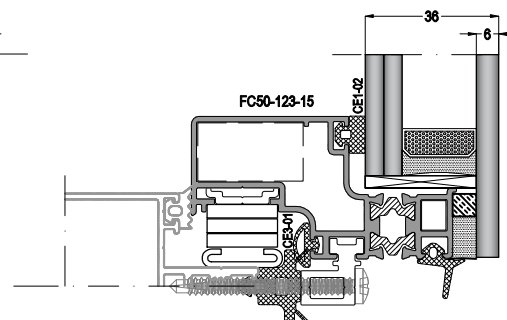
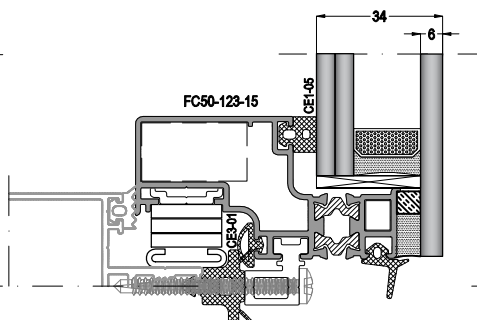
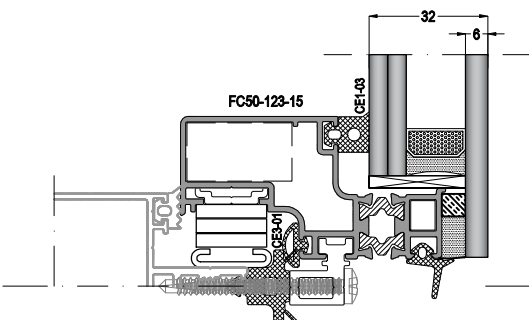
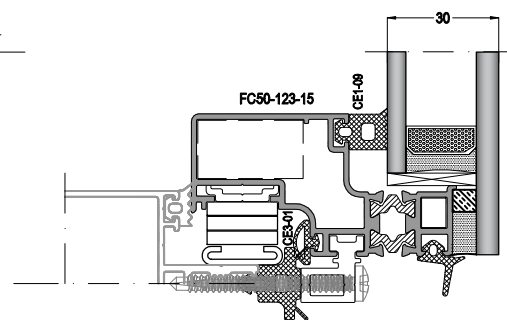
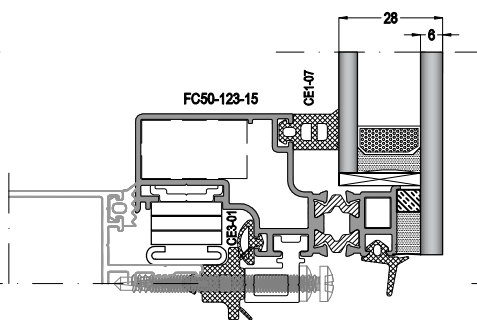
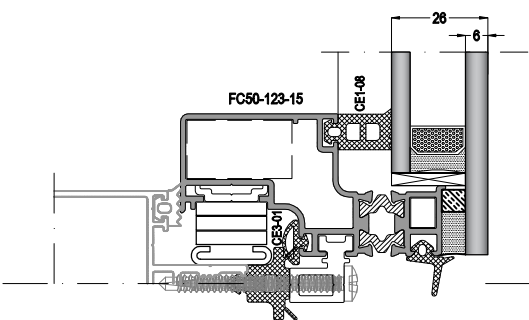
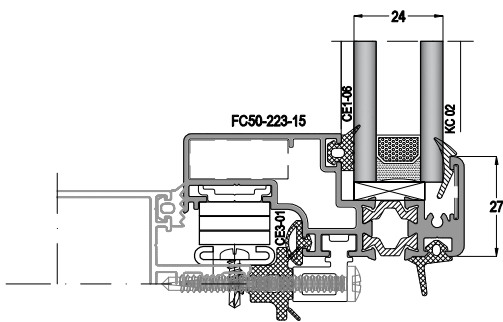
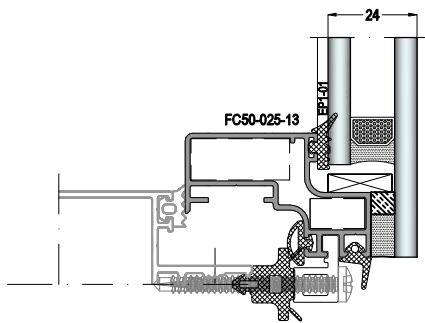
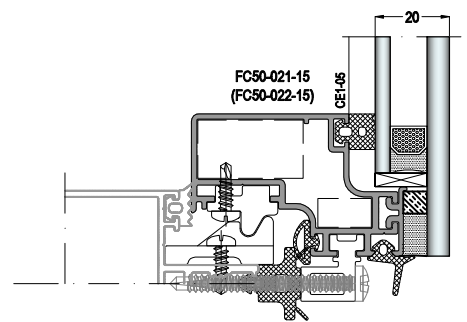
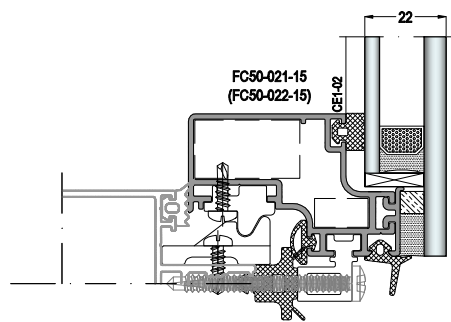
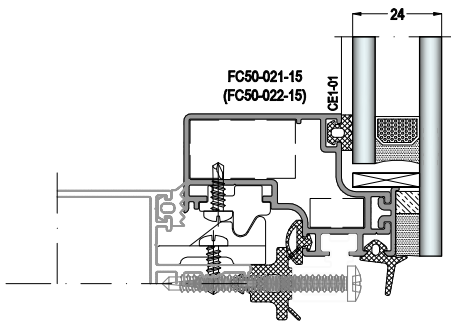


FC50-AS3



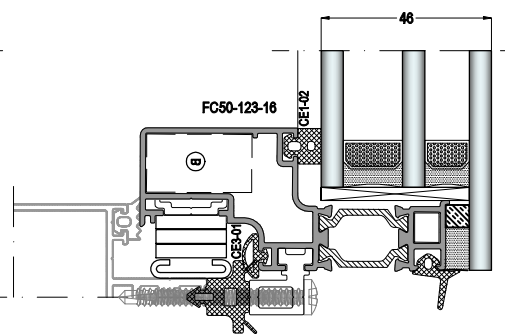
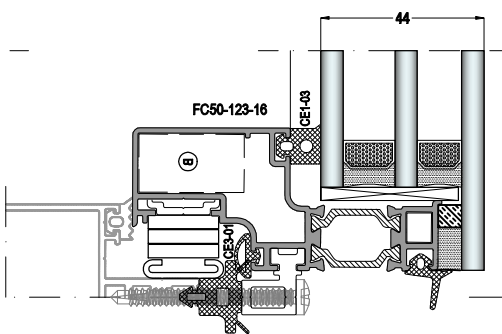
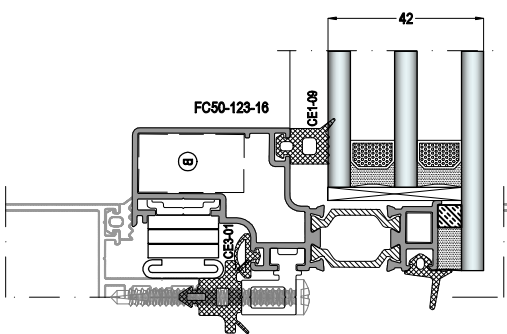
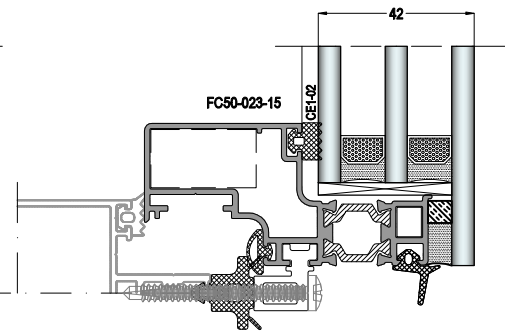
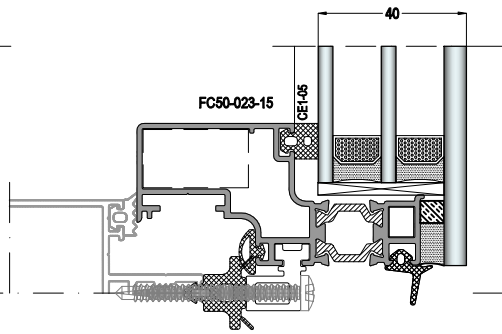
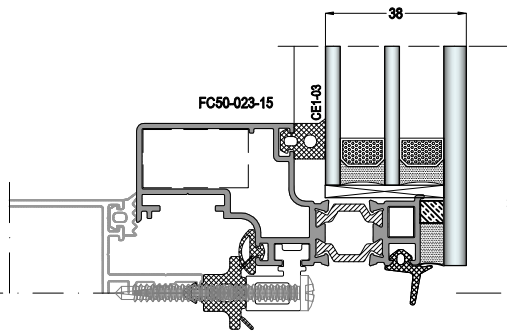
FC50

CEPHE SİSTEMİ
CURTAIN WALL SYSTEM



FC50

CEPHE SISTEMI
CURTAIN WALL SYSTEM



- ECO KASETLÍ SLÍKON CEPHE / FC50-AS4

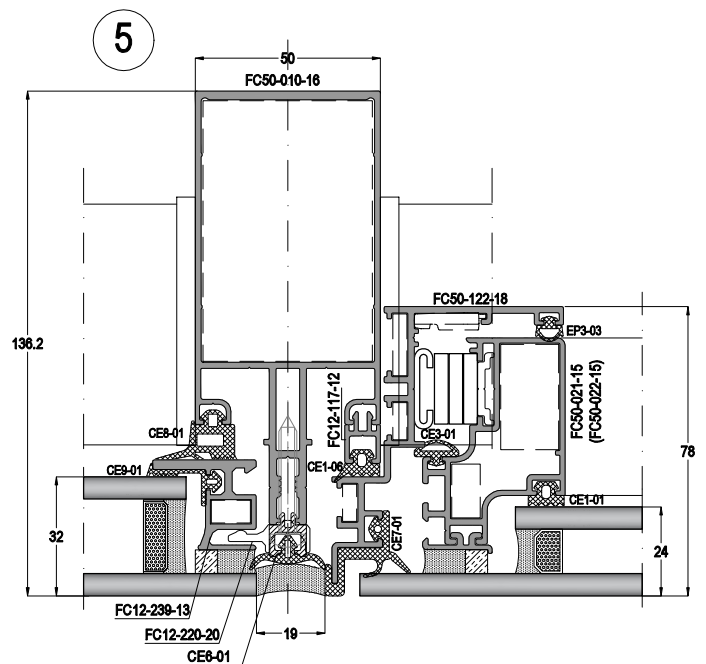
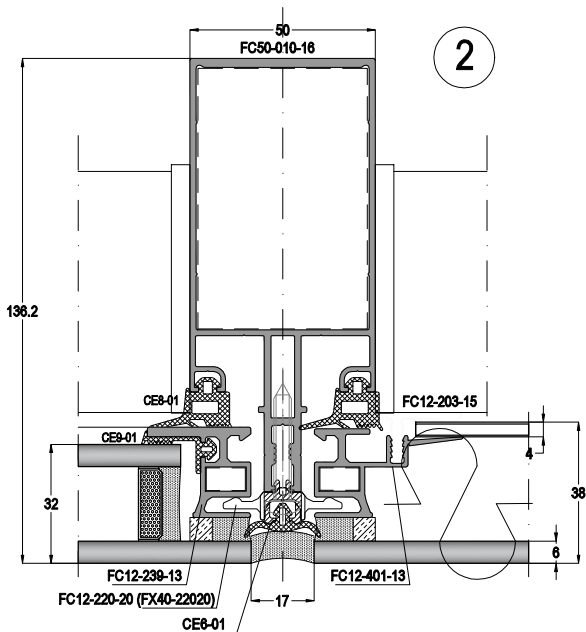
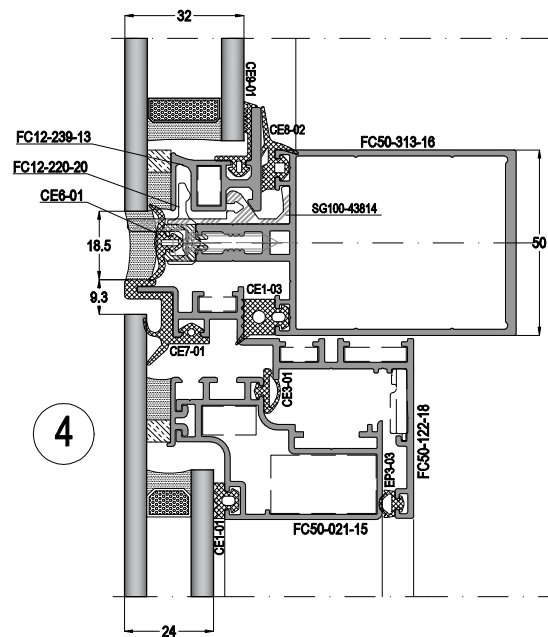
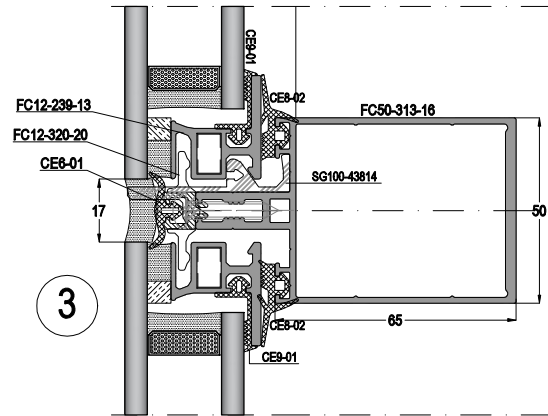
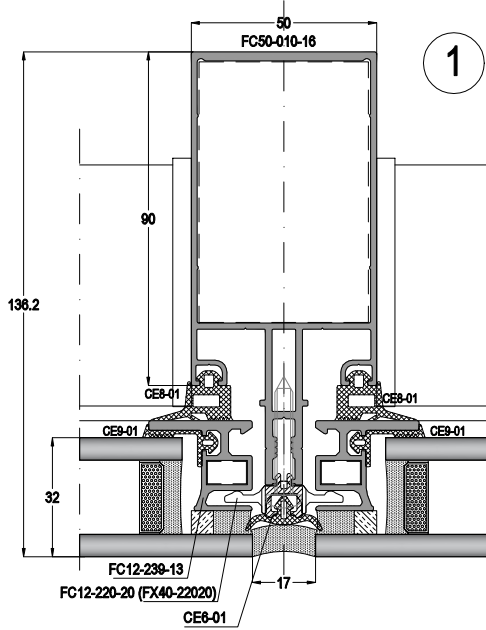
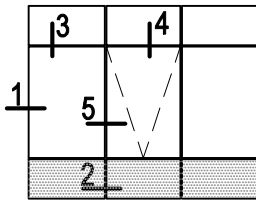
-ECO MODUL SYSTEM WITH STRUCTURAL SYSTEM DETAILS / FC50-AS4

FC50

CEPHE SİSTEMİ
CURTAIN WALL SYSTEM



FC50-AS4



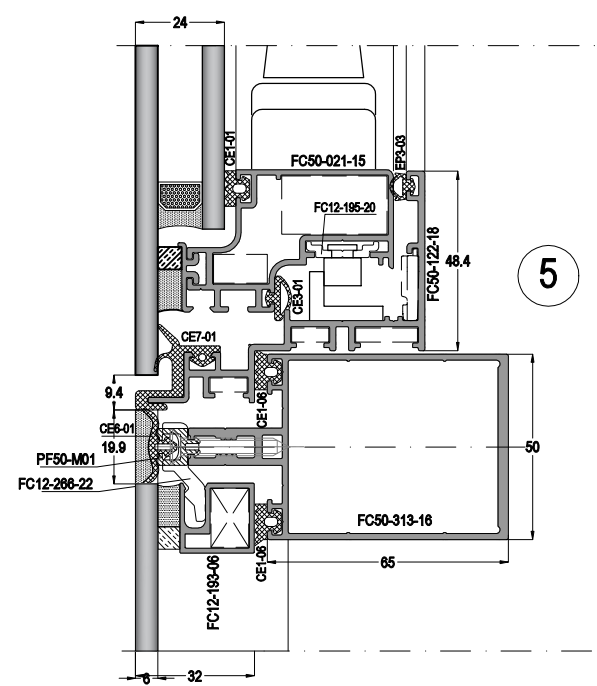
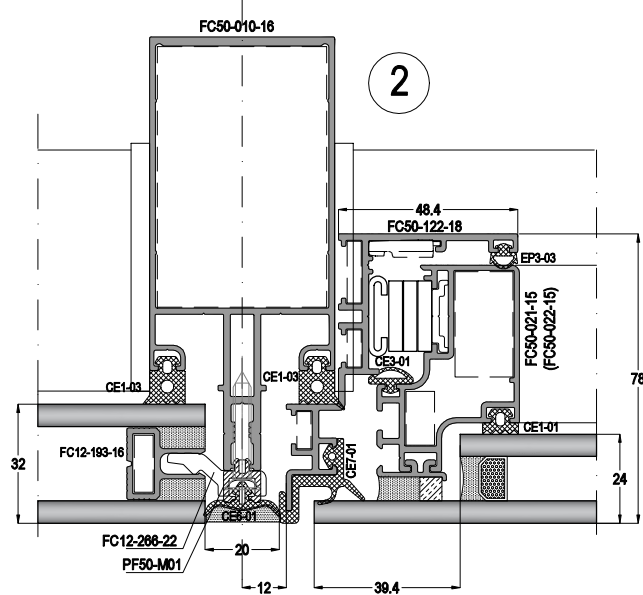
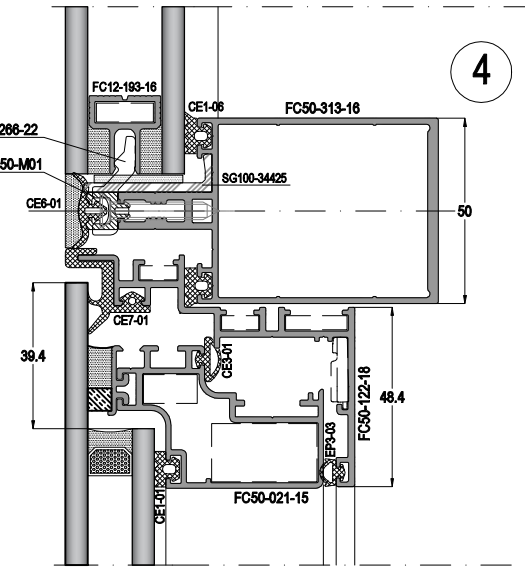
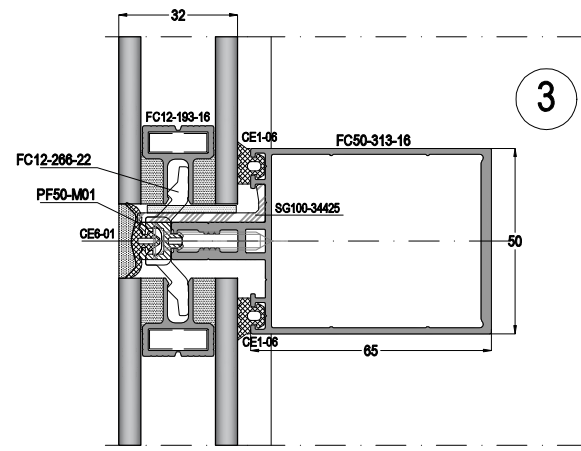
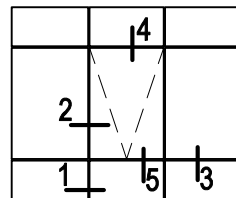
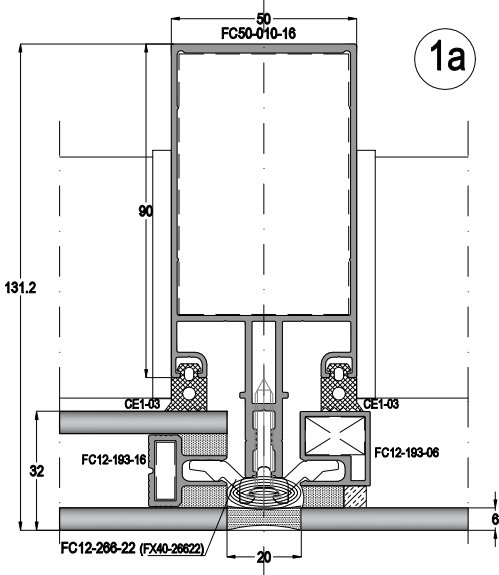
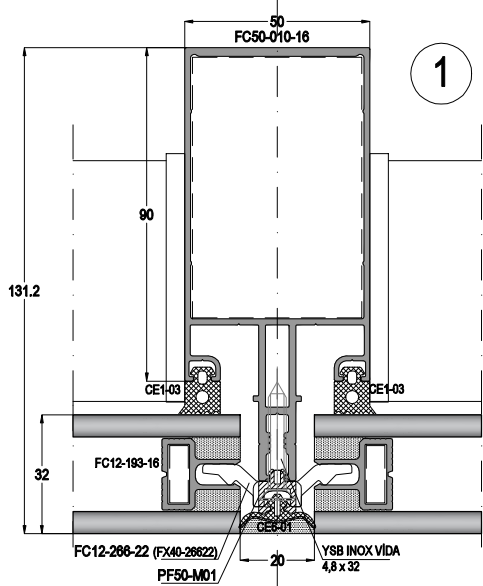
- ÇİTALI SLİKON CEPHE / FC50-AS5

-STRUCTURAL GLAZING SYSTEM DETAILS / FC50-AS5



32mm CAM I. ALTERNATIVE
4 SIDE FOR 32mm GLASS

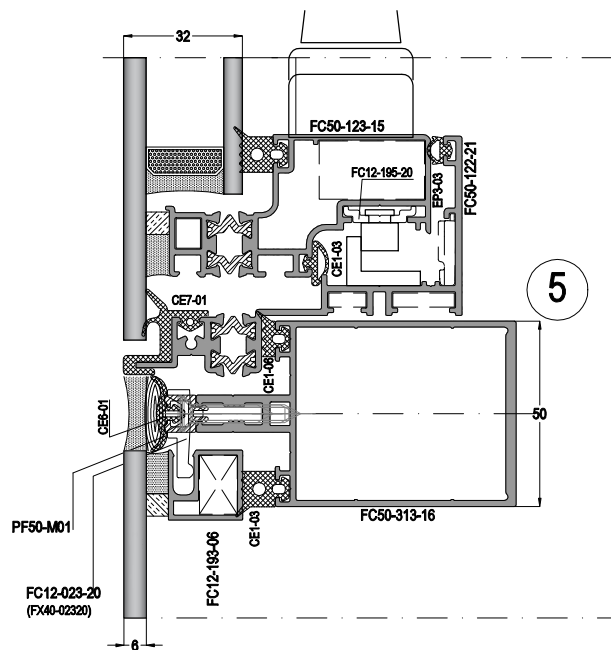
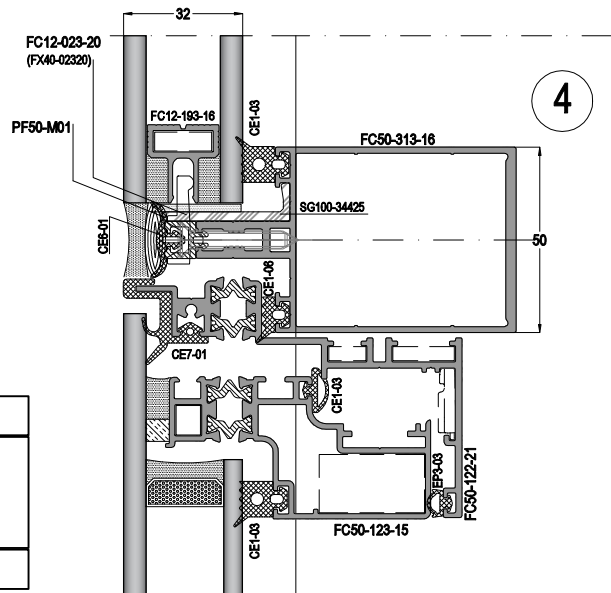
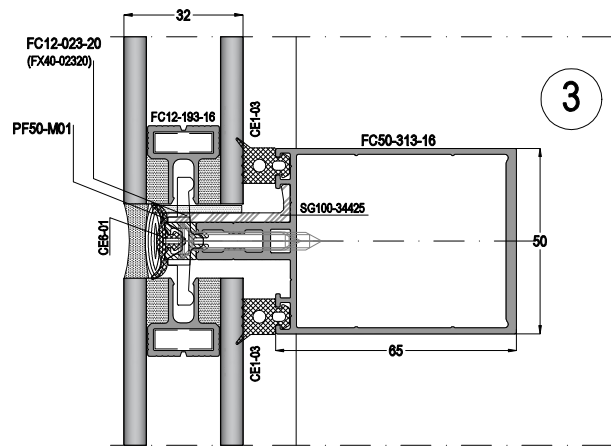
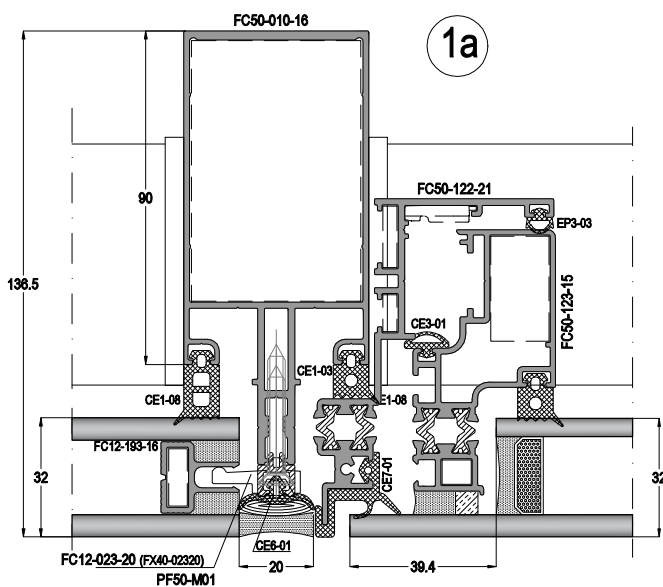
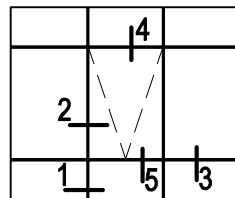
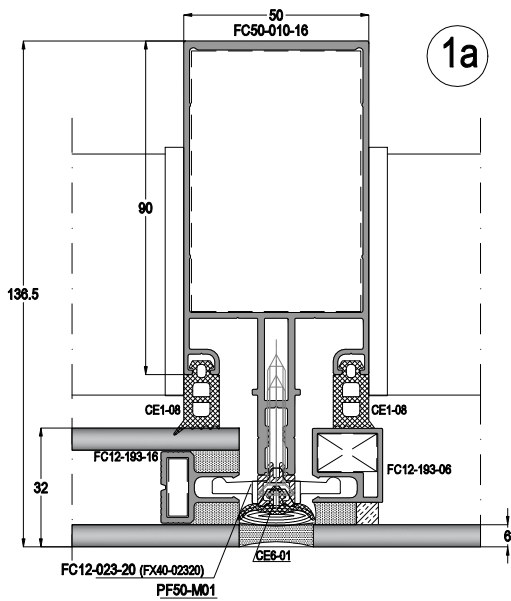
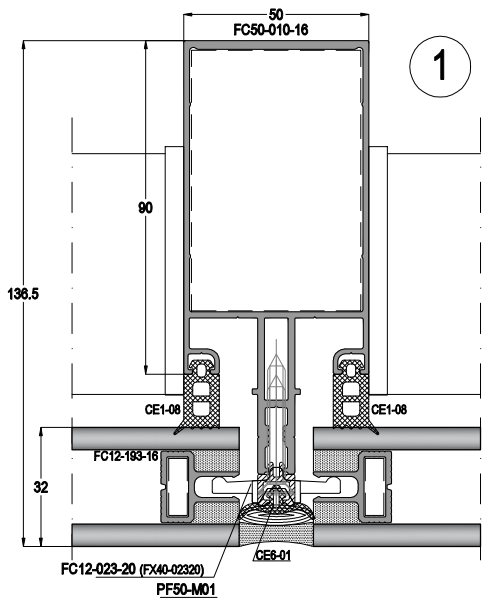
FC50-AS5





32mm CAM II. ALTERNATIVE
4 SIDE FOR 32mm GLASS

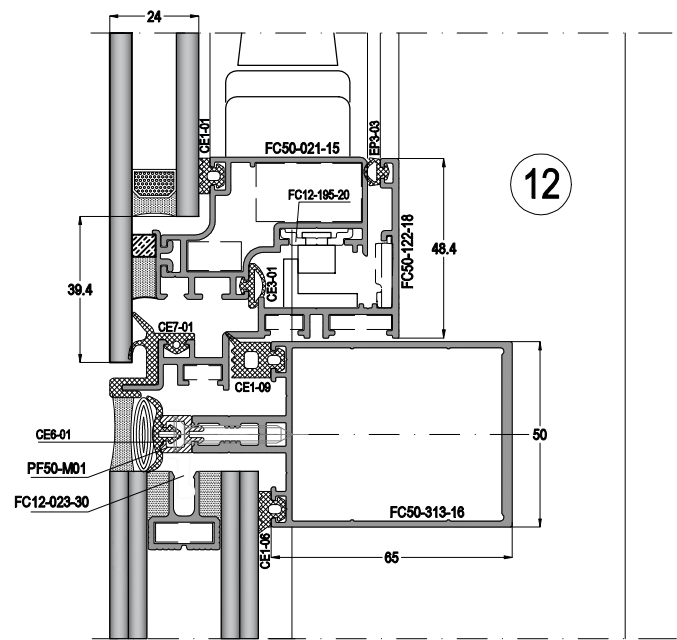
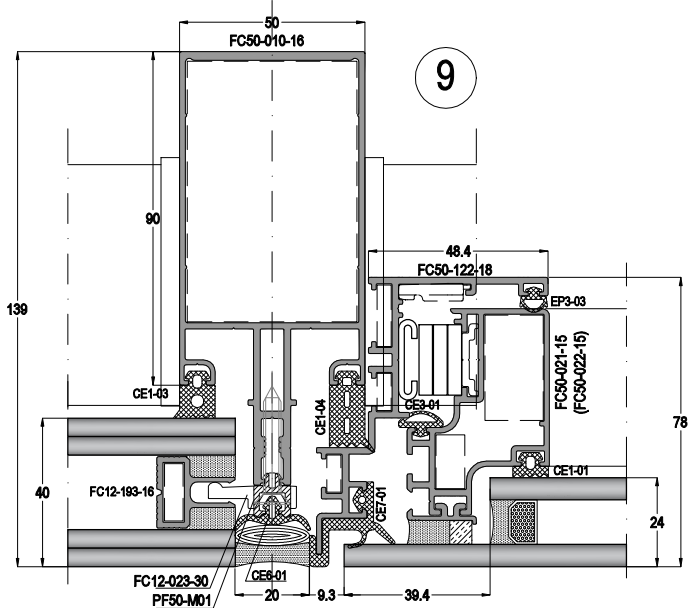
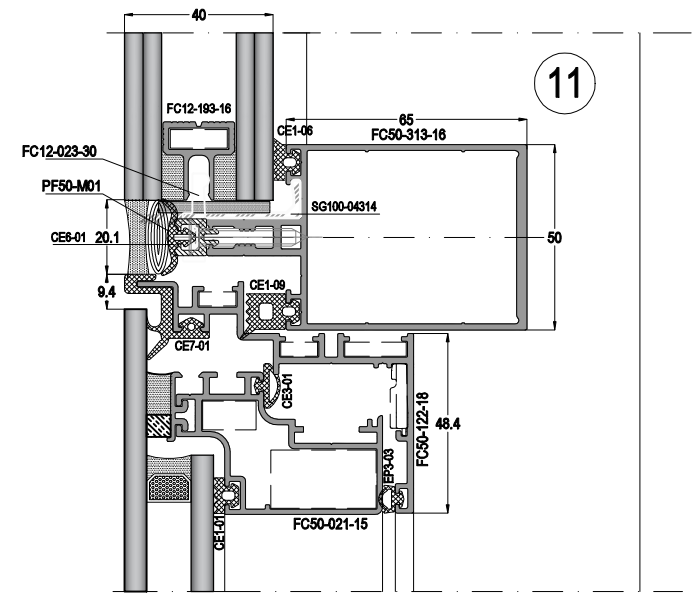
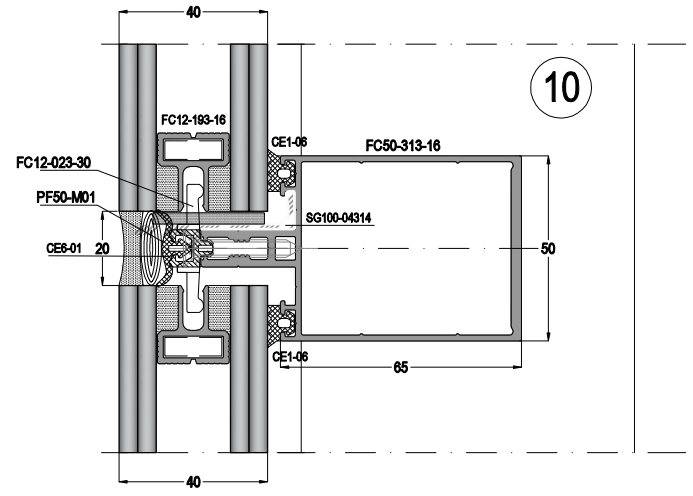
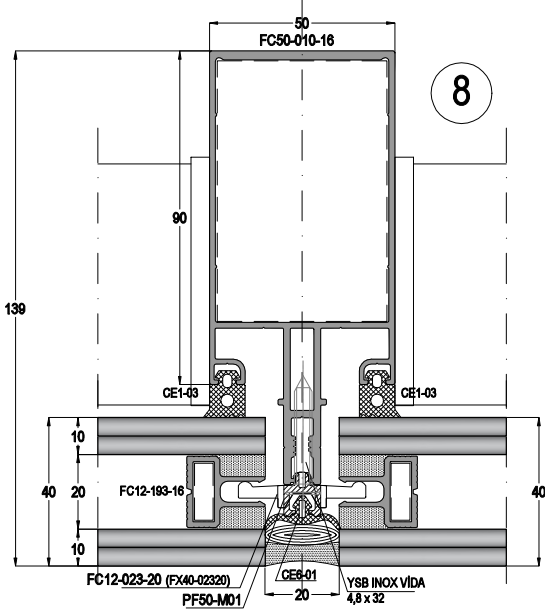
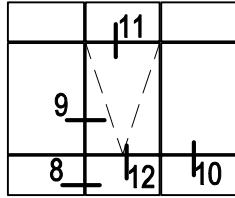
FC50-AS5





40mm CAM
 4 SIDE FOR 40m GLASS

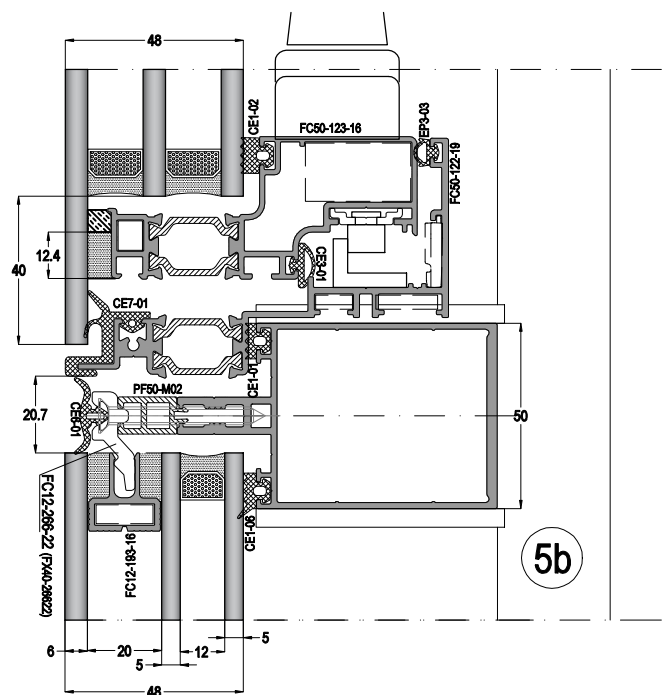
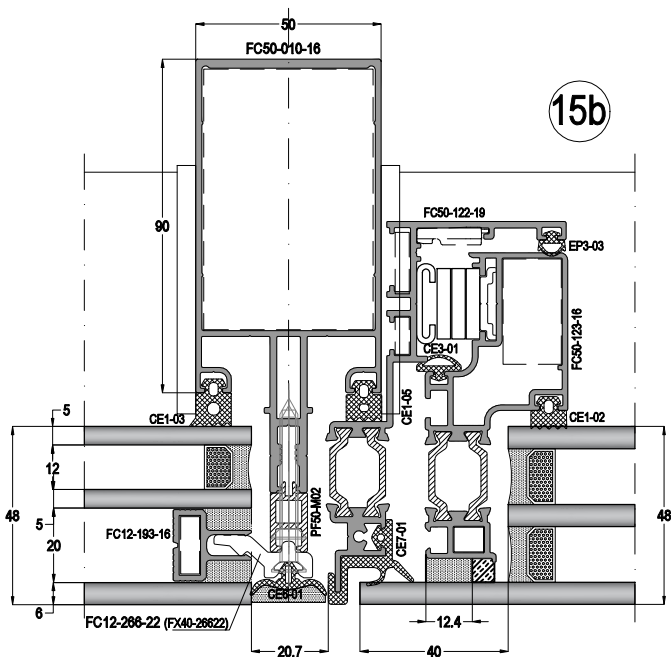
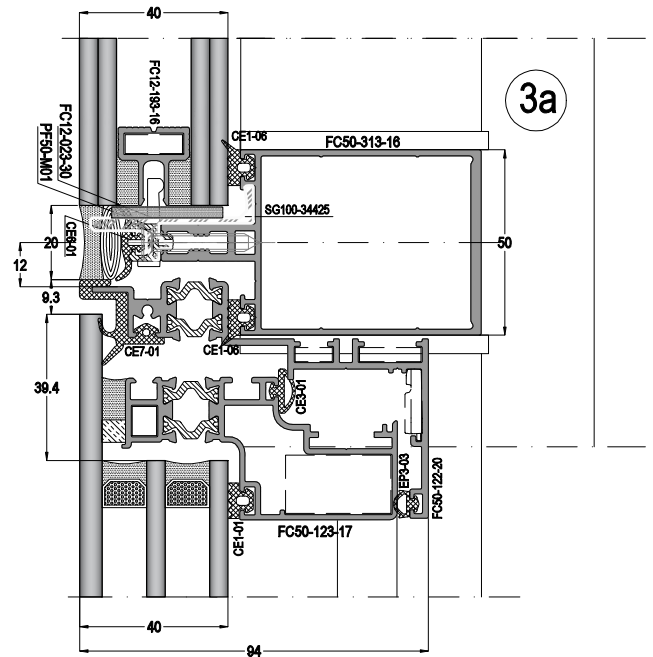
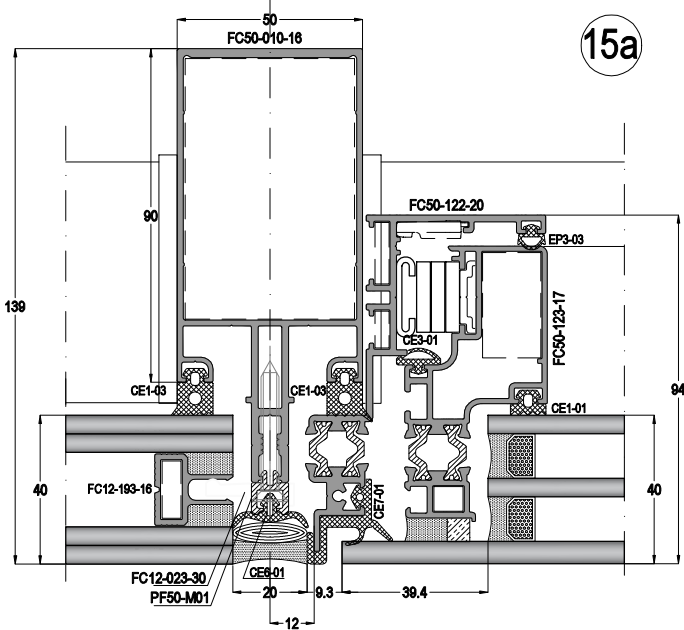
FC50-AS5



DIŞA AÇILIR KANAT 40mm ve 48mm CAM İÇİN
OUTWARD OPENING SASHES FOR 40mm and 48mm GLASS
4 SIDE

FC50-AS5

	3a	
15a		
15b		
	5b	



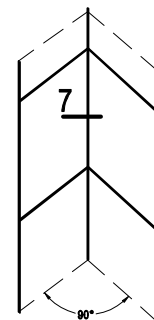
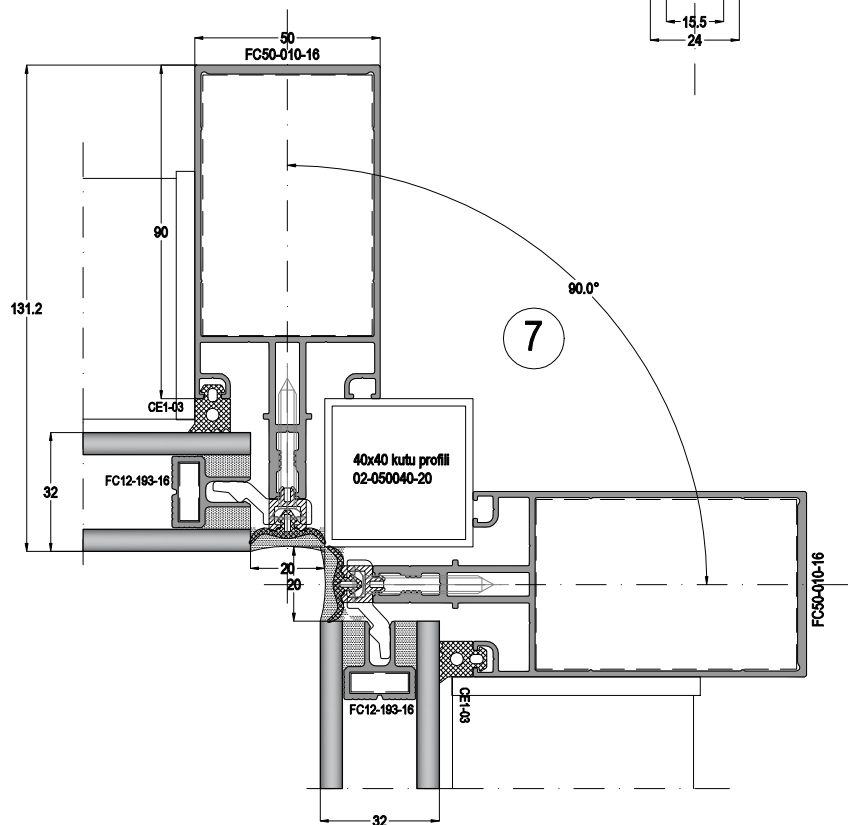
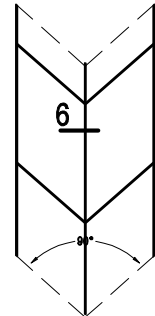
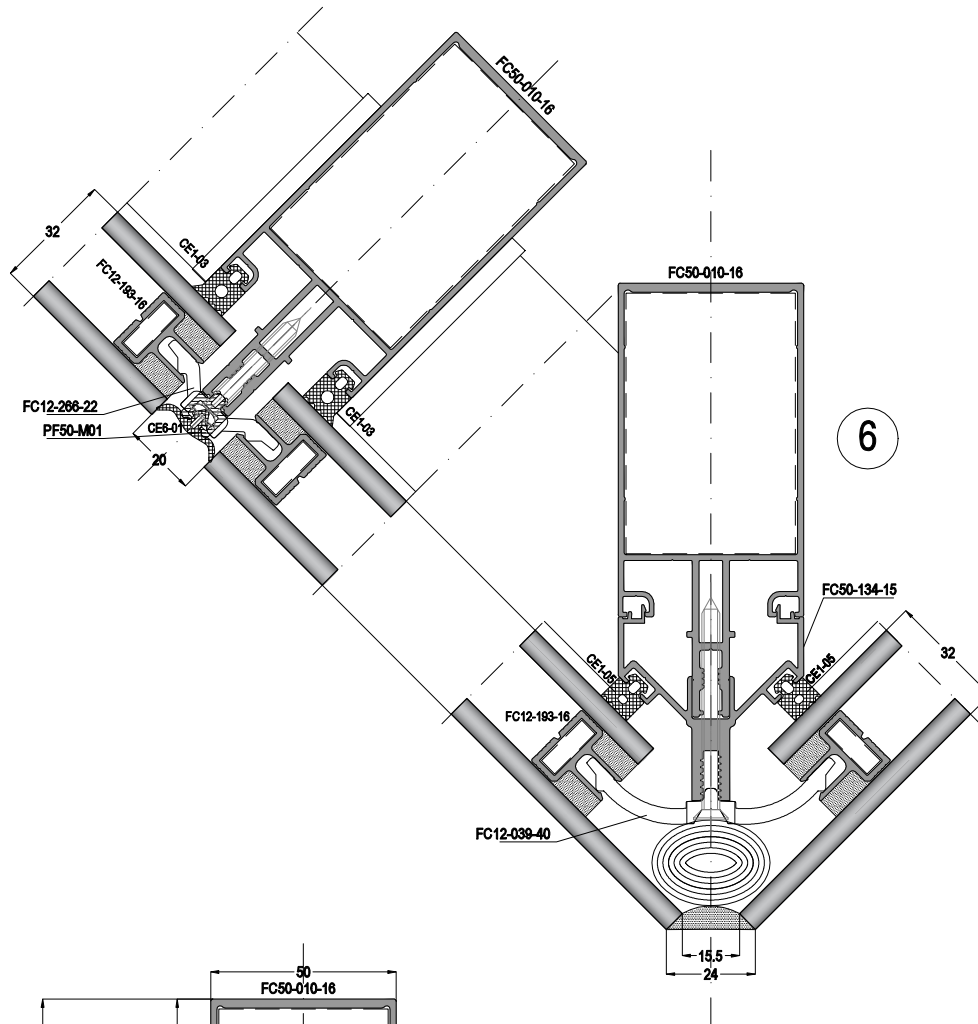
FC50

CEPHE SİSTEMİ
CURTAIN WALL SYSTEM

ASISTAL

32mm CAM
4 SIDE FOR 32mm GLASS

FC50-AS5



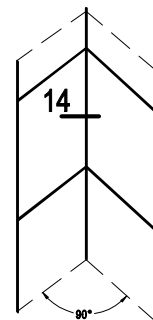
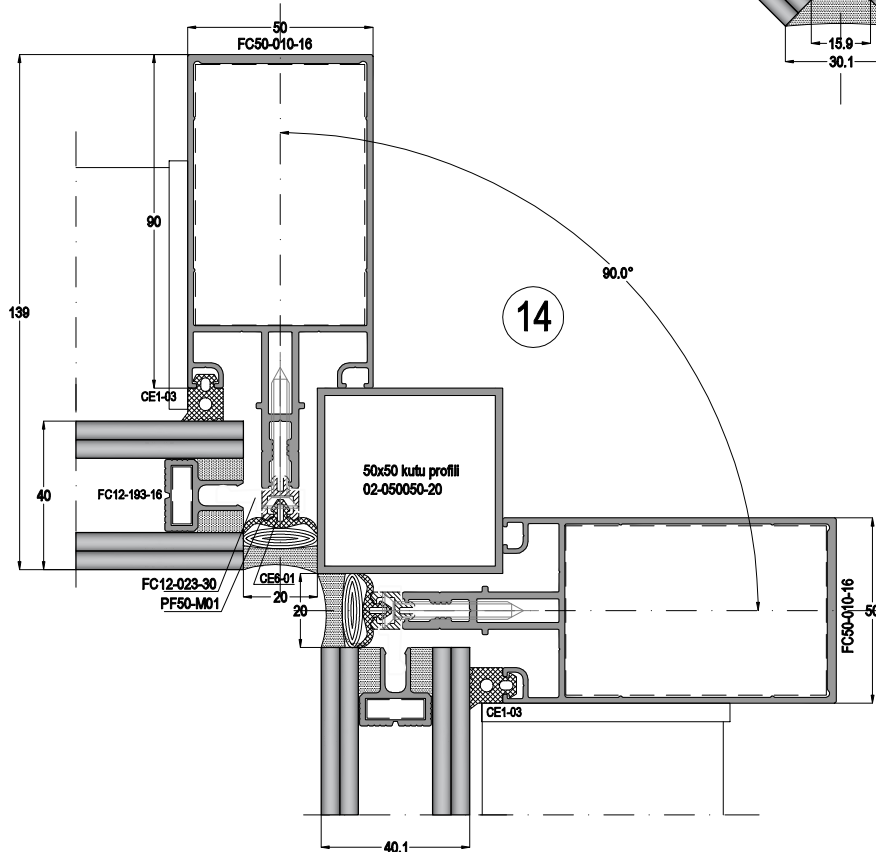
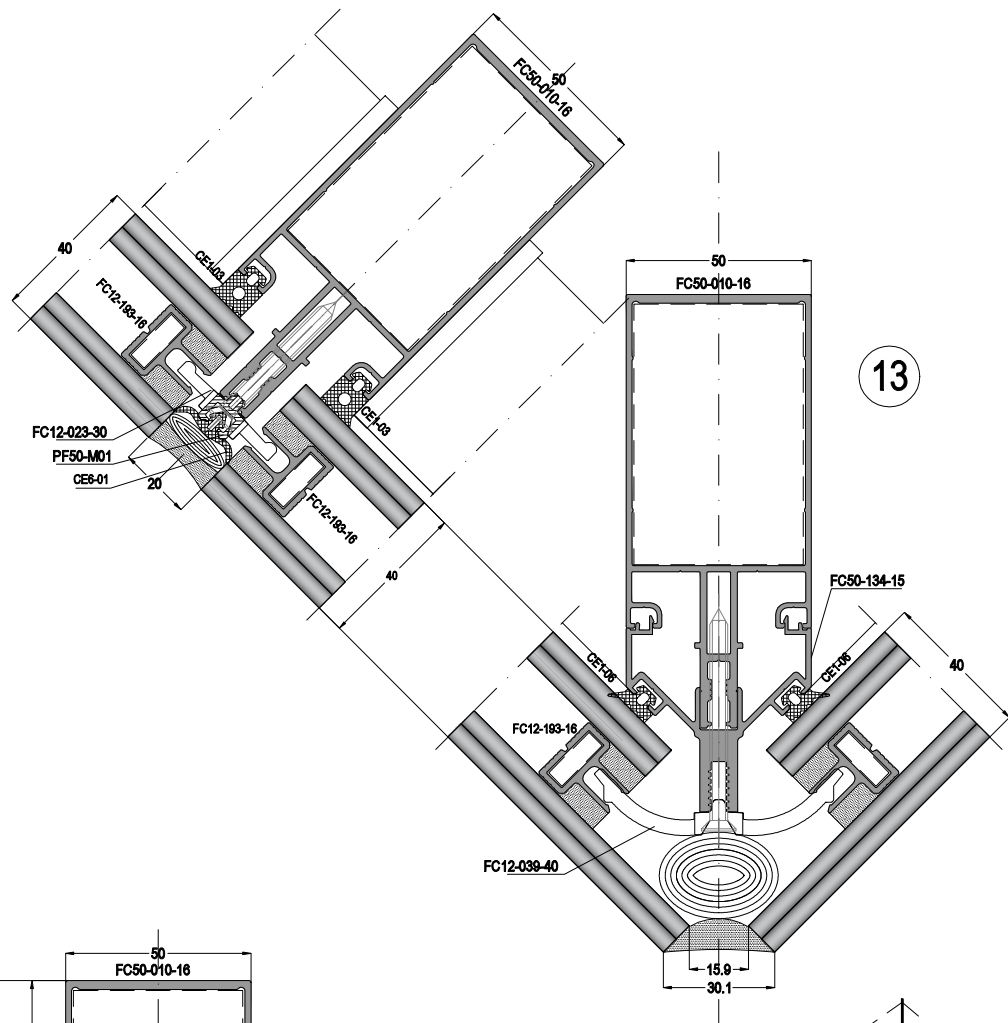
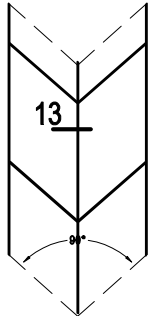
FC50

CEPHE SİSTEMİ
CURTAIN WALL SYSTEM



40mm CAM
4 SIDE FOR 40m GLASS

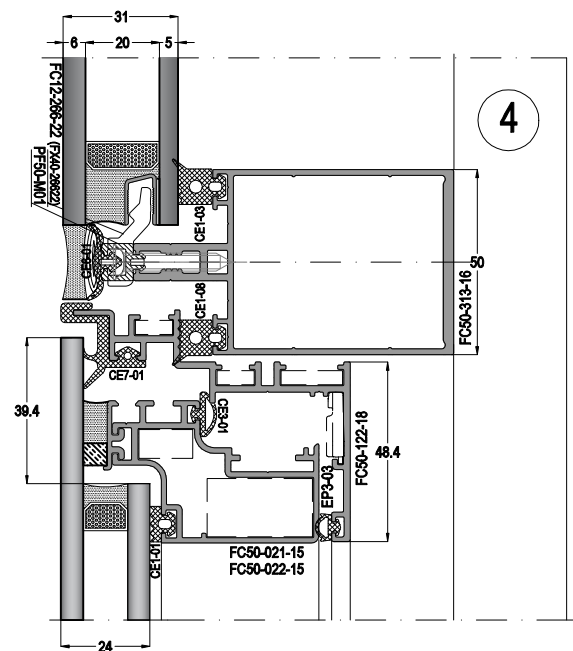
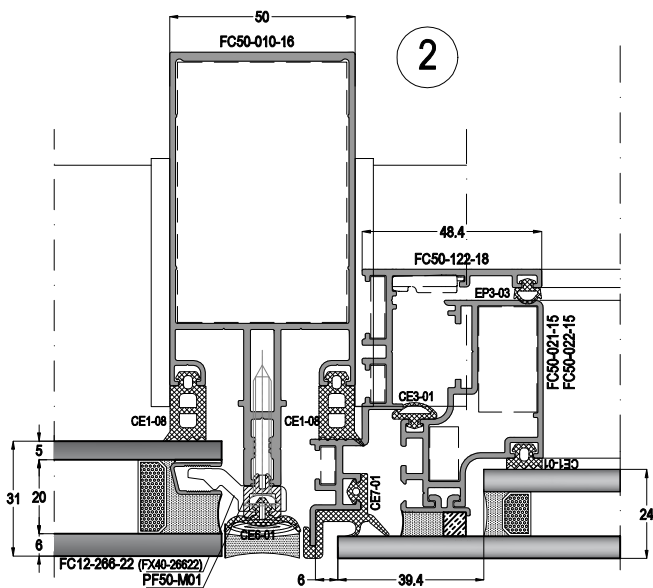
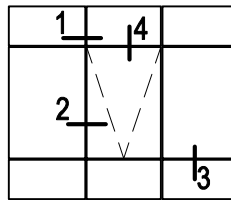
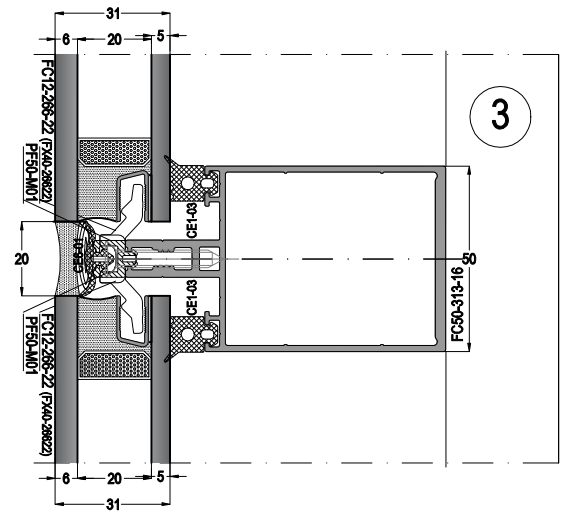
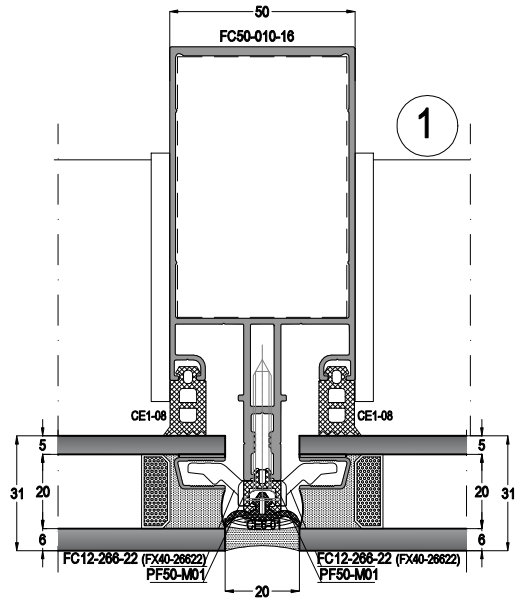
FC50-AS5





31mm CAM U ÇİTALI
4 SIDE FOR 31mm GLASS U ADAPTOR

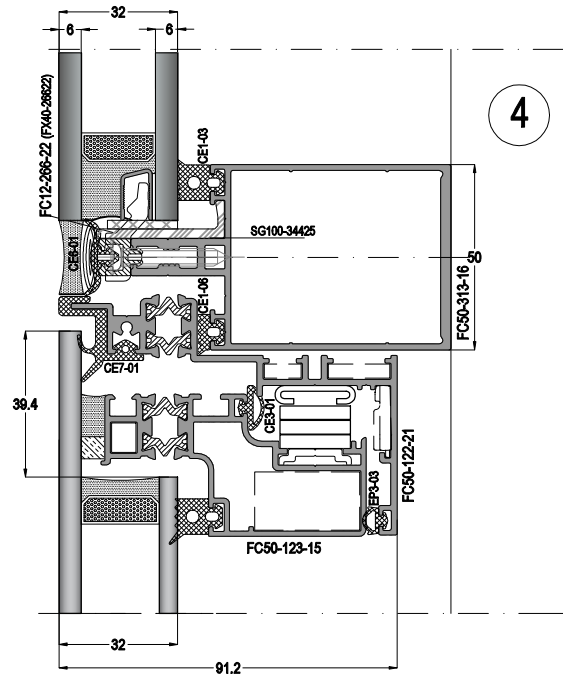
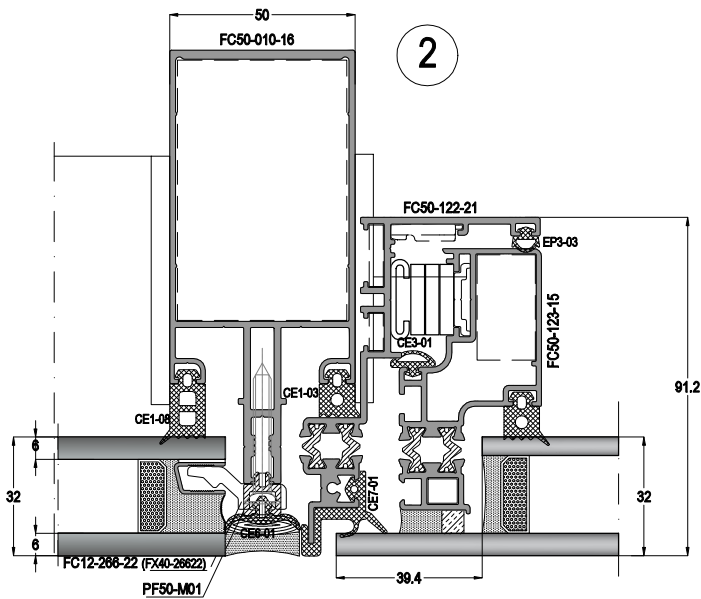
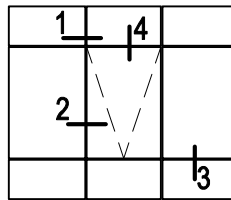
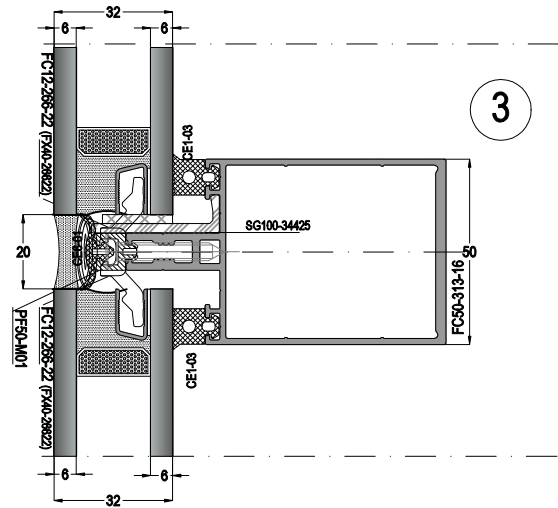
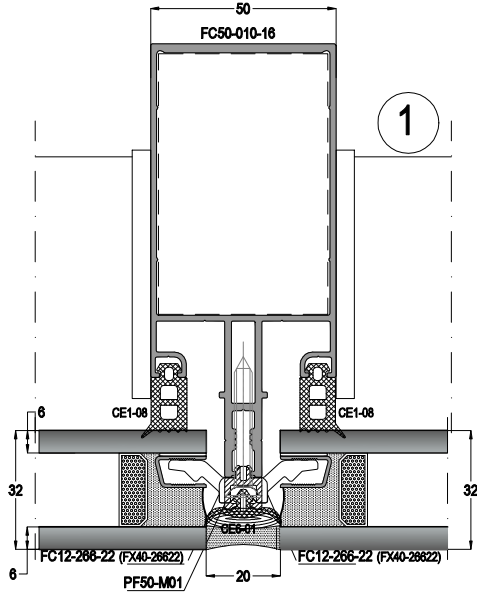
FC50-AS5

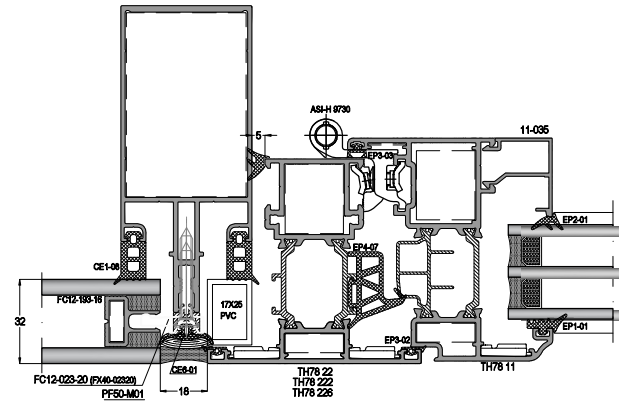
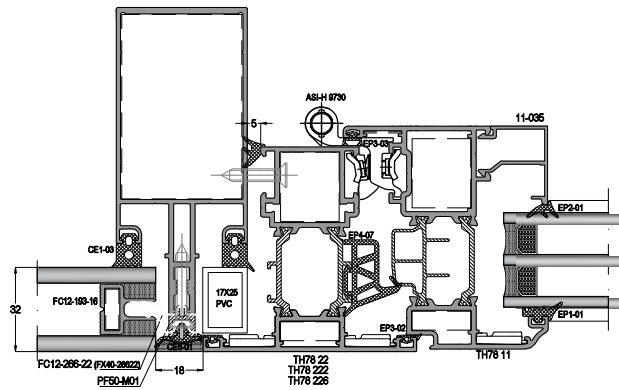
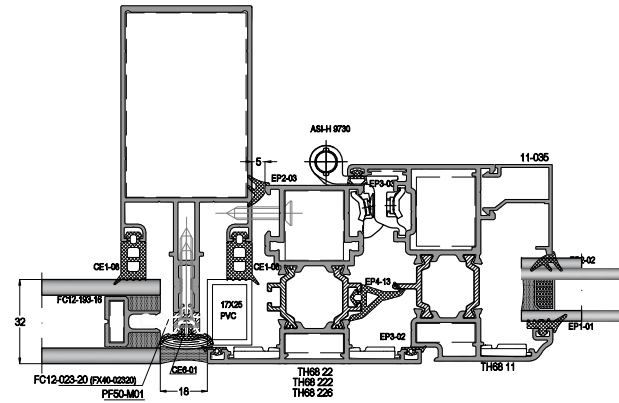
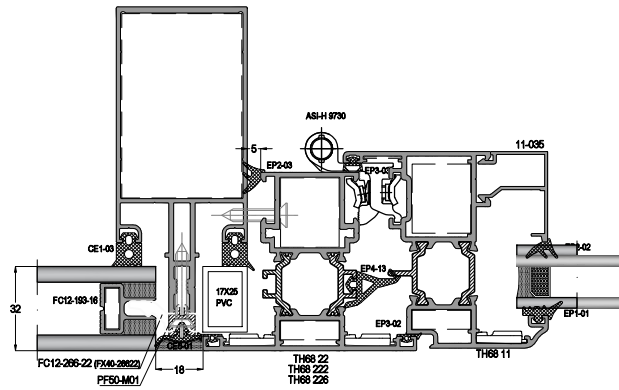
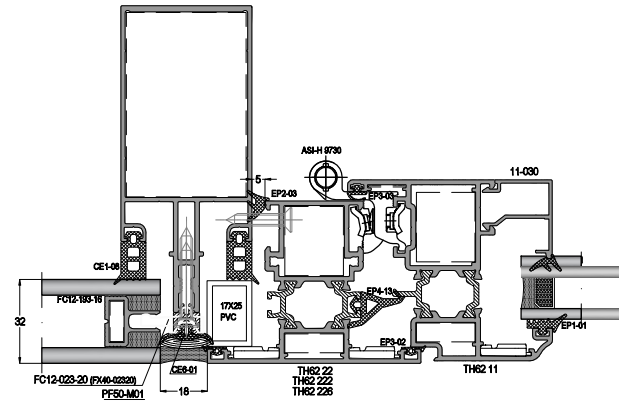
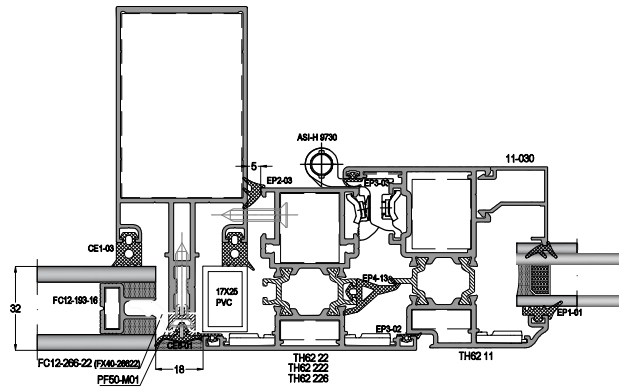




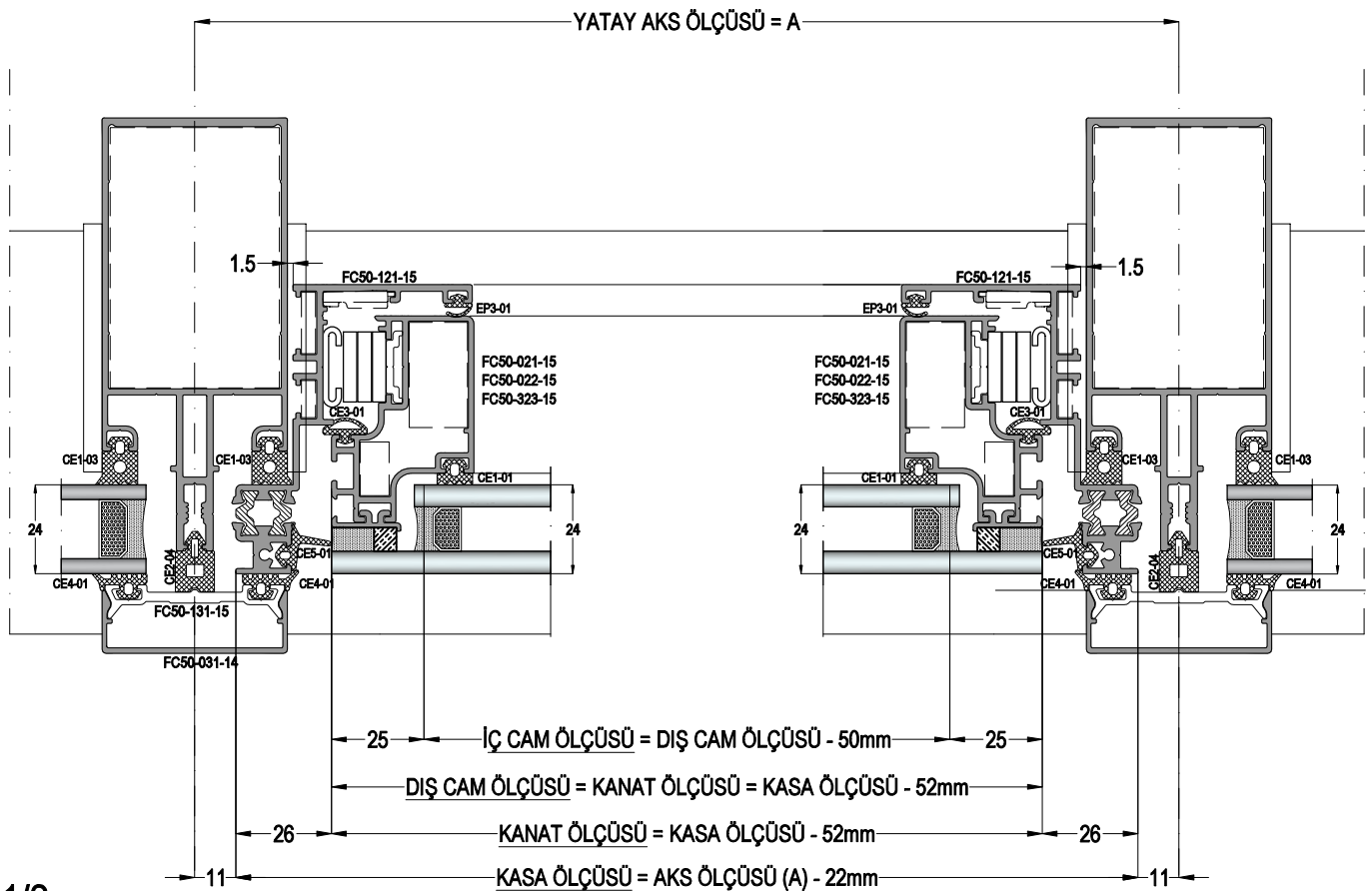
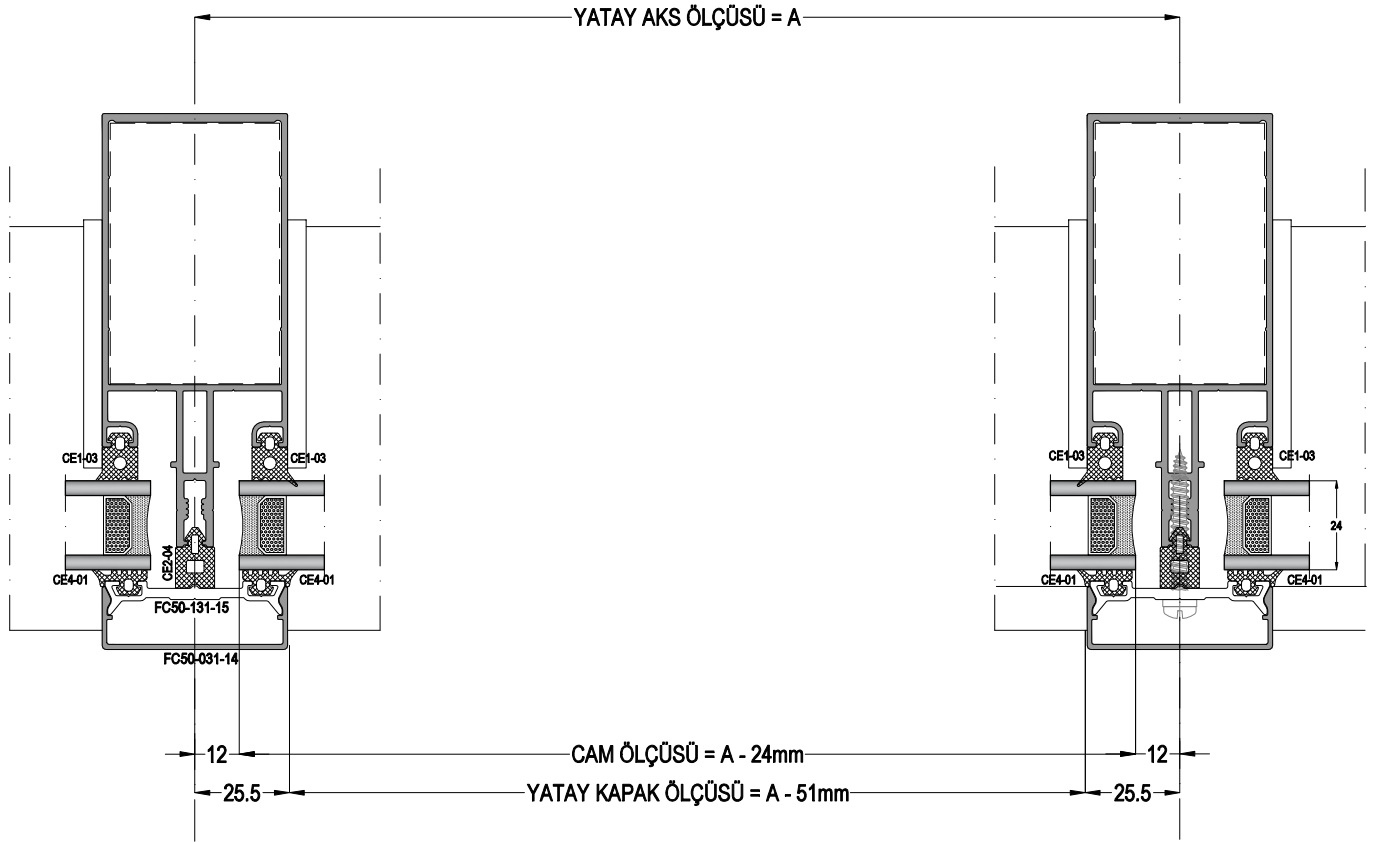
32mm CAM U ÇİTALI
4 SIDE FOR 31mm GLASS U ADAPTOR

FC50-AS5





KESİM VE MONTAJ
CUTTING & ASSEMBLY

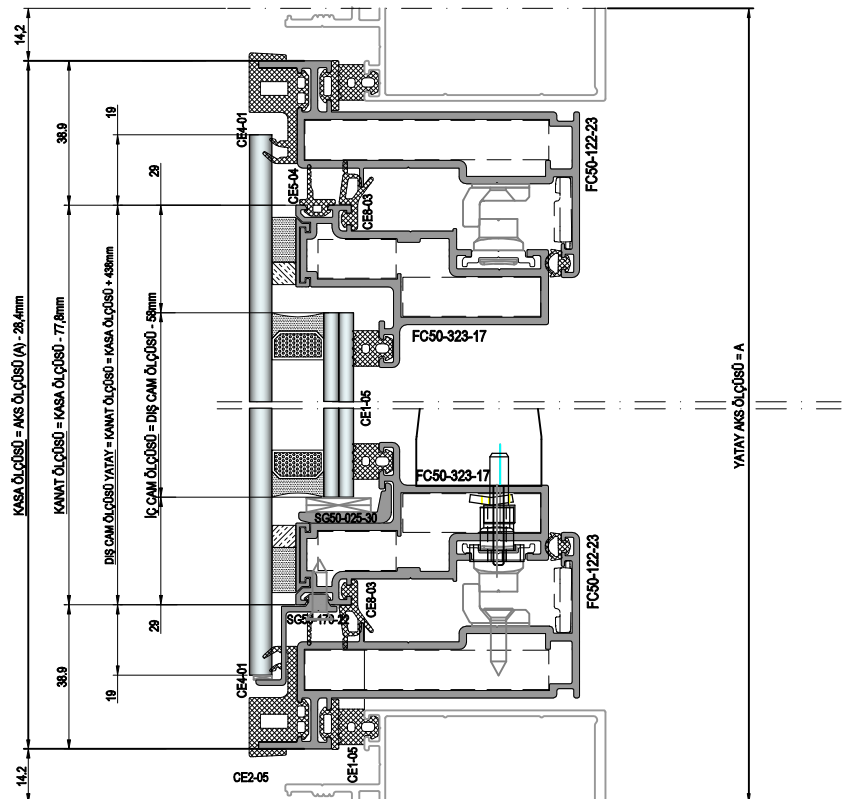
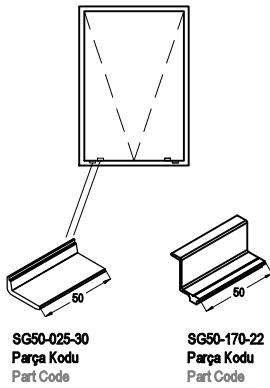
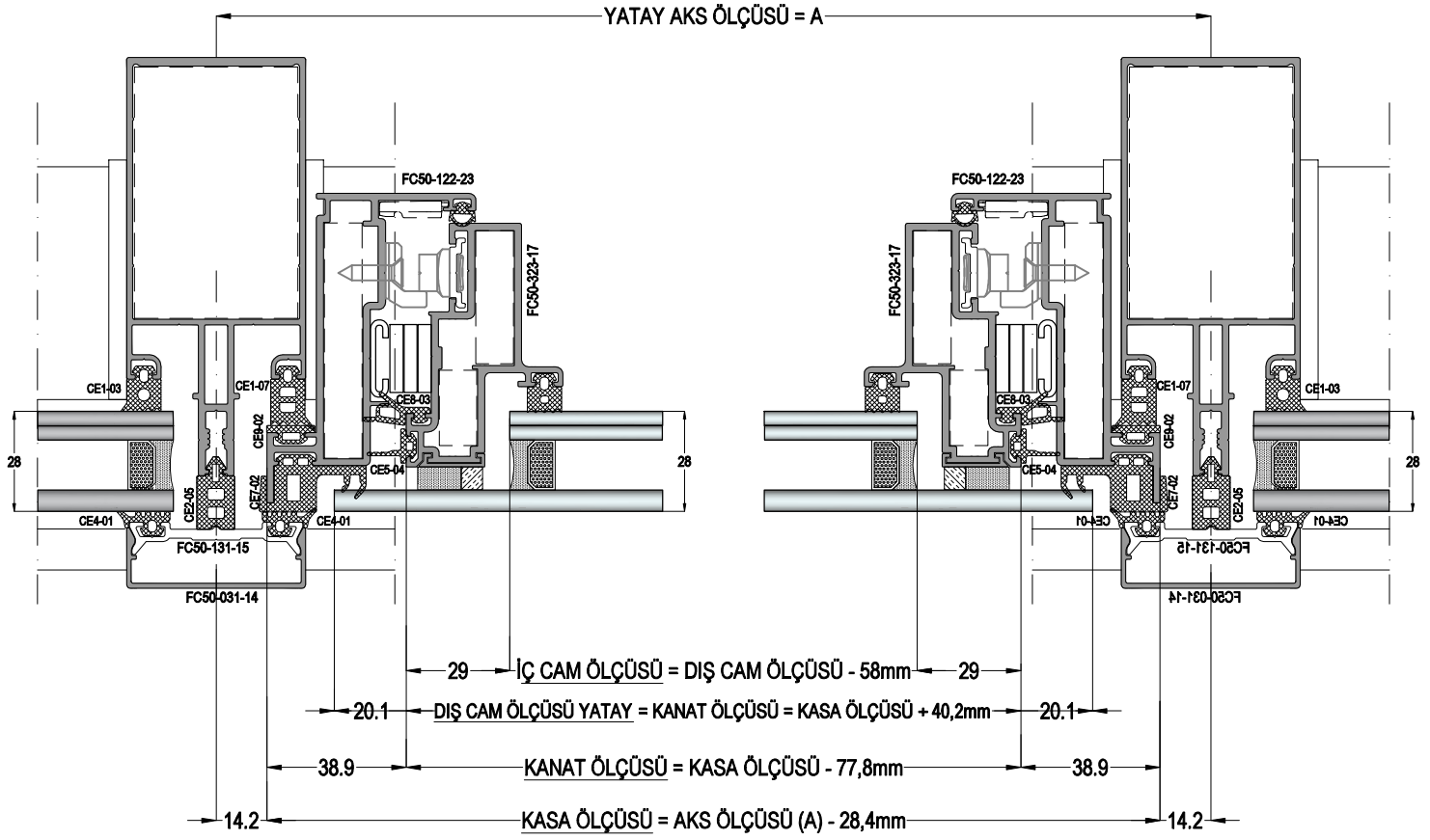


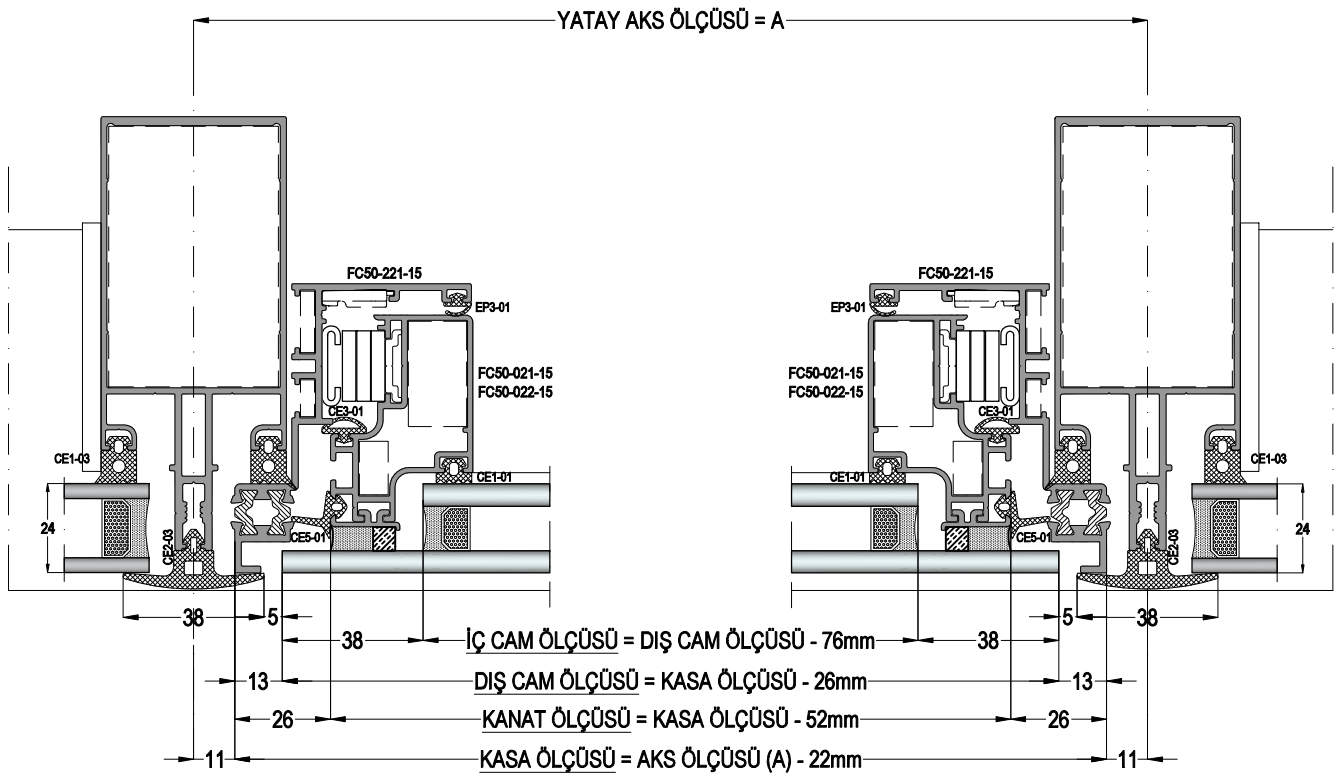
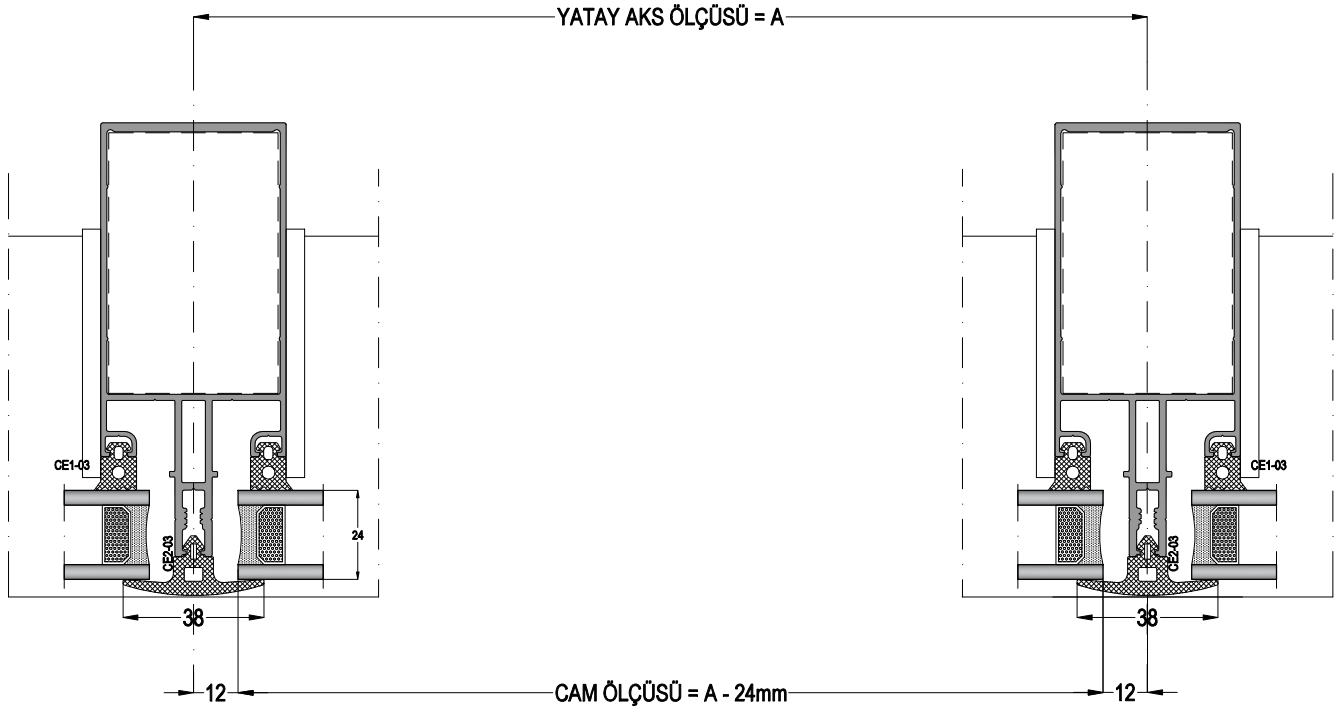
FC50

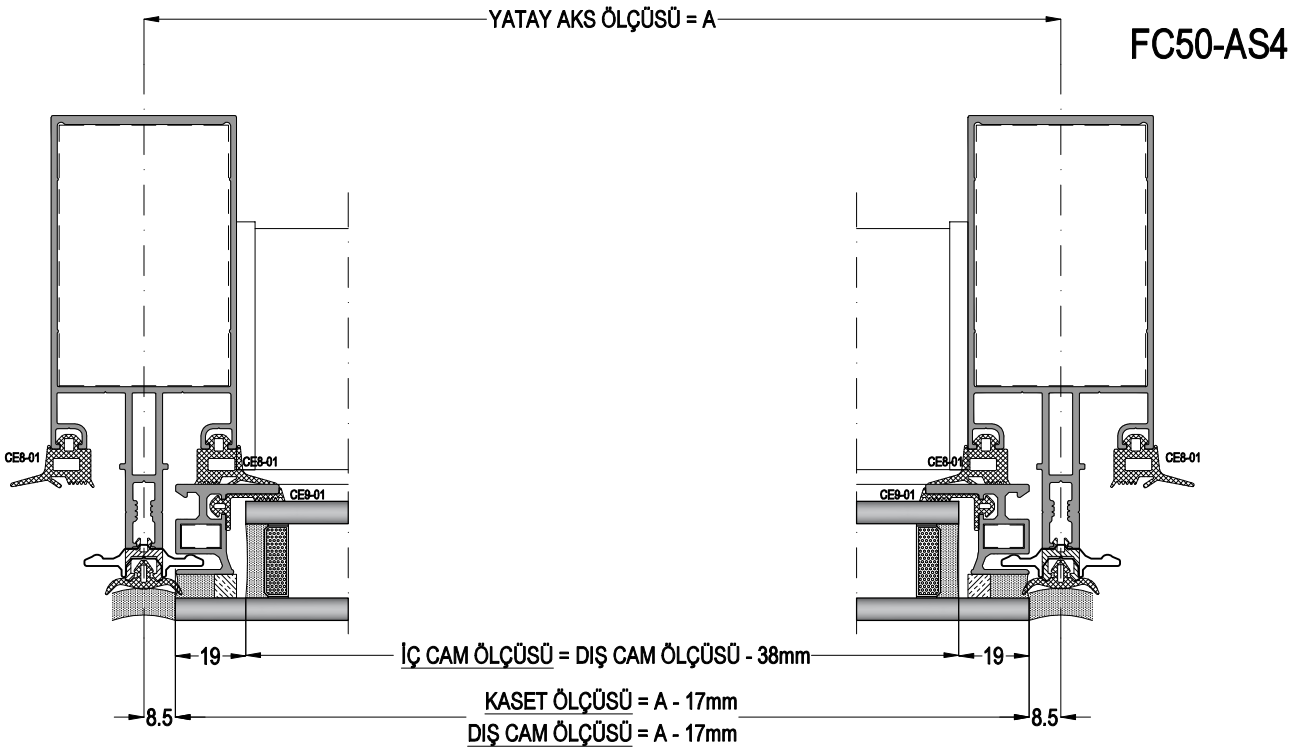
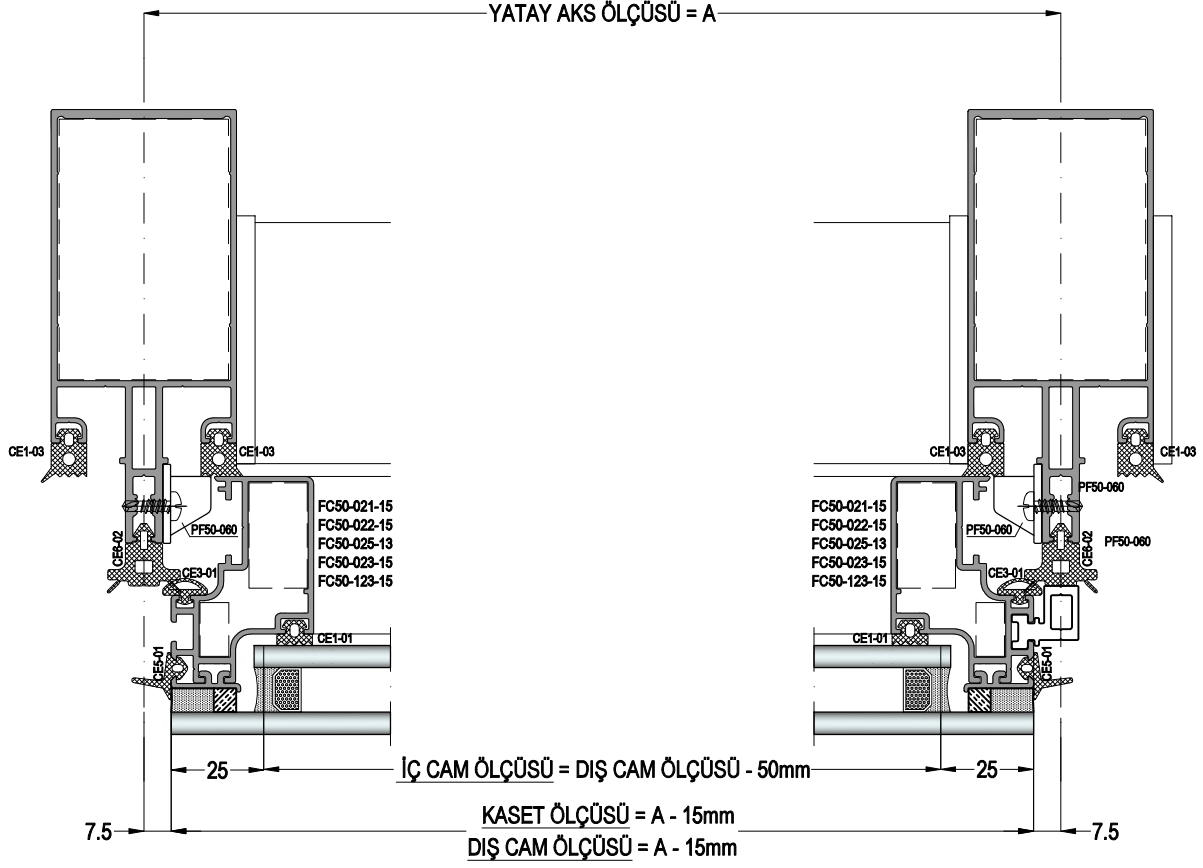
CEPHE SİSTEMİ
CURTAIN WALL SYSTEM



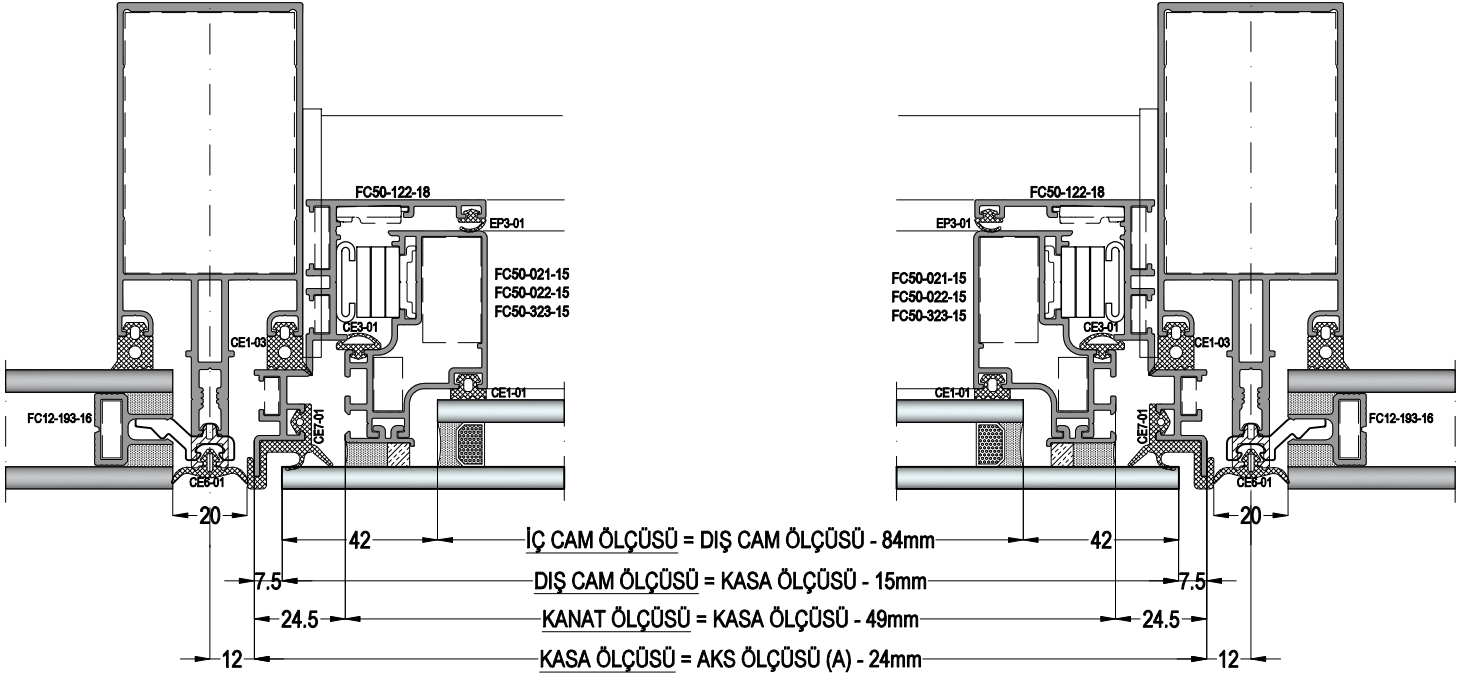
FC50-AS1





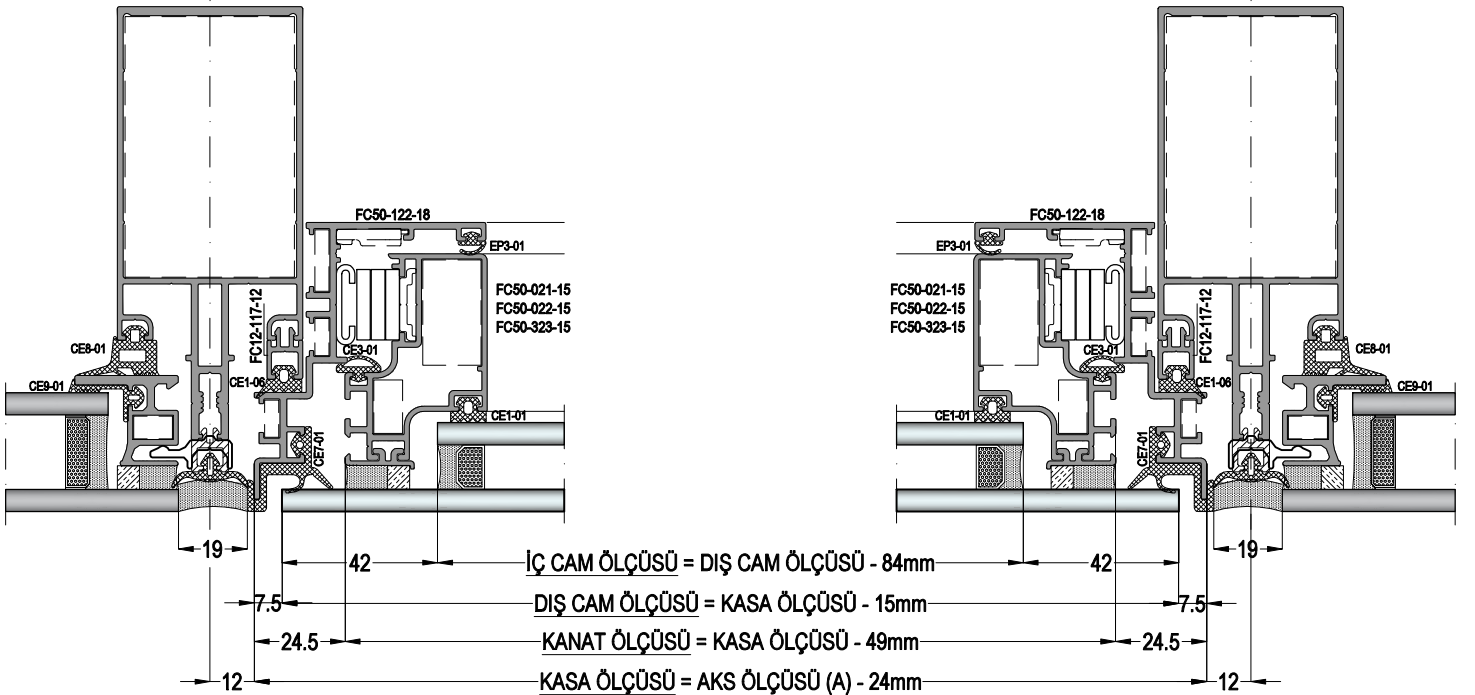


YATAY AKS ÖLÇÜSÜ = A



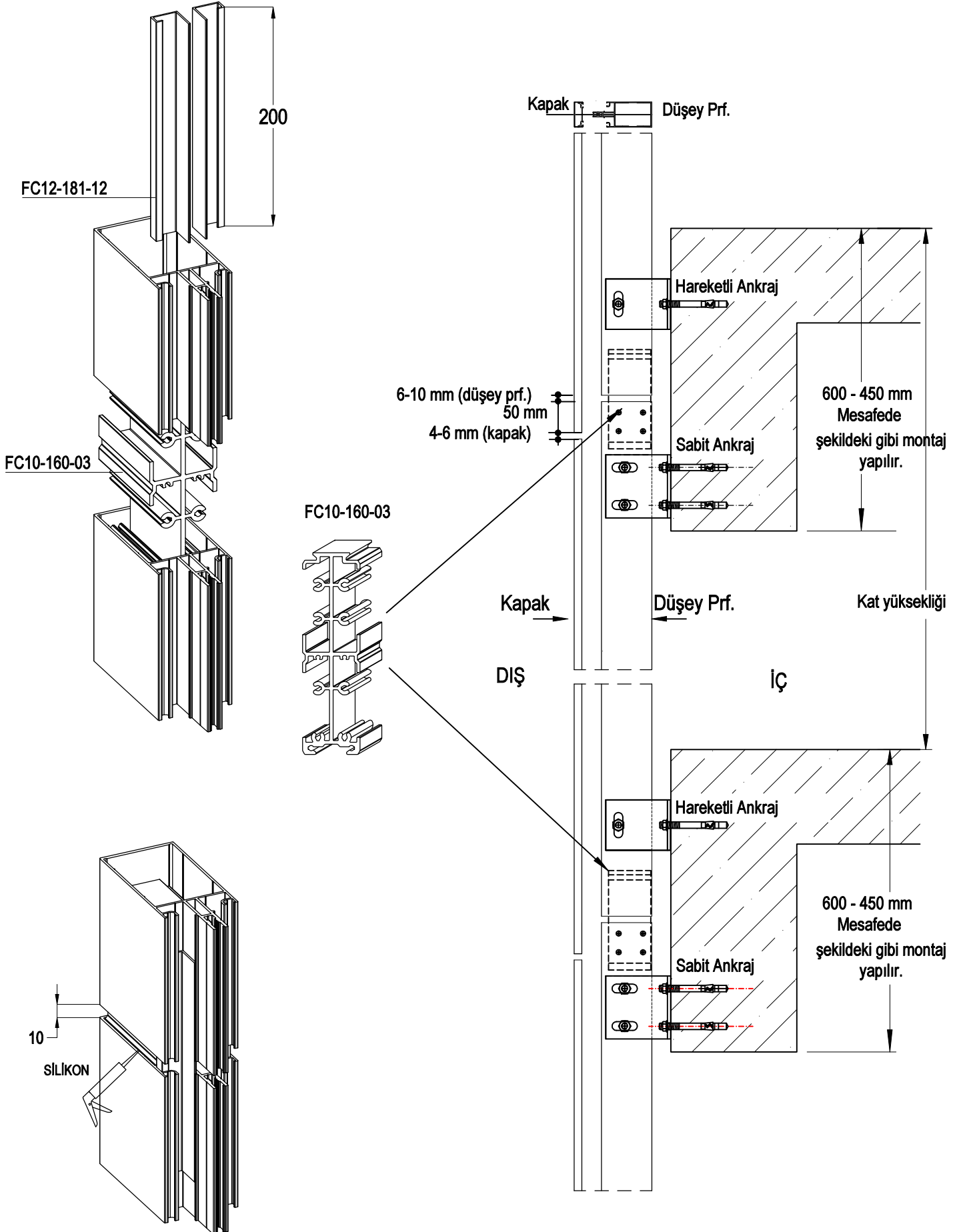
YATAY AKS ÖLÇÜSÜ = A

FC50-AS4



FC50

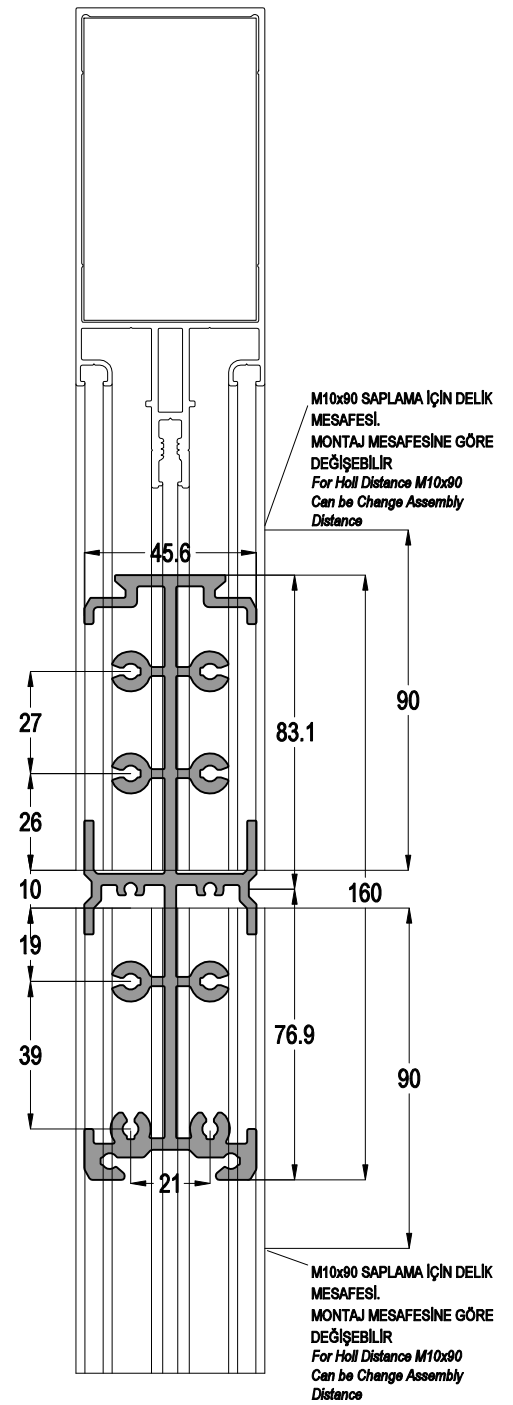
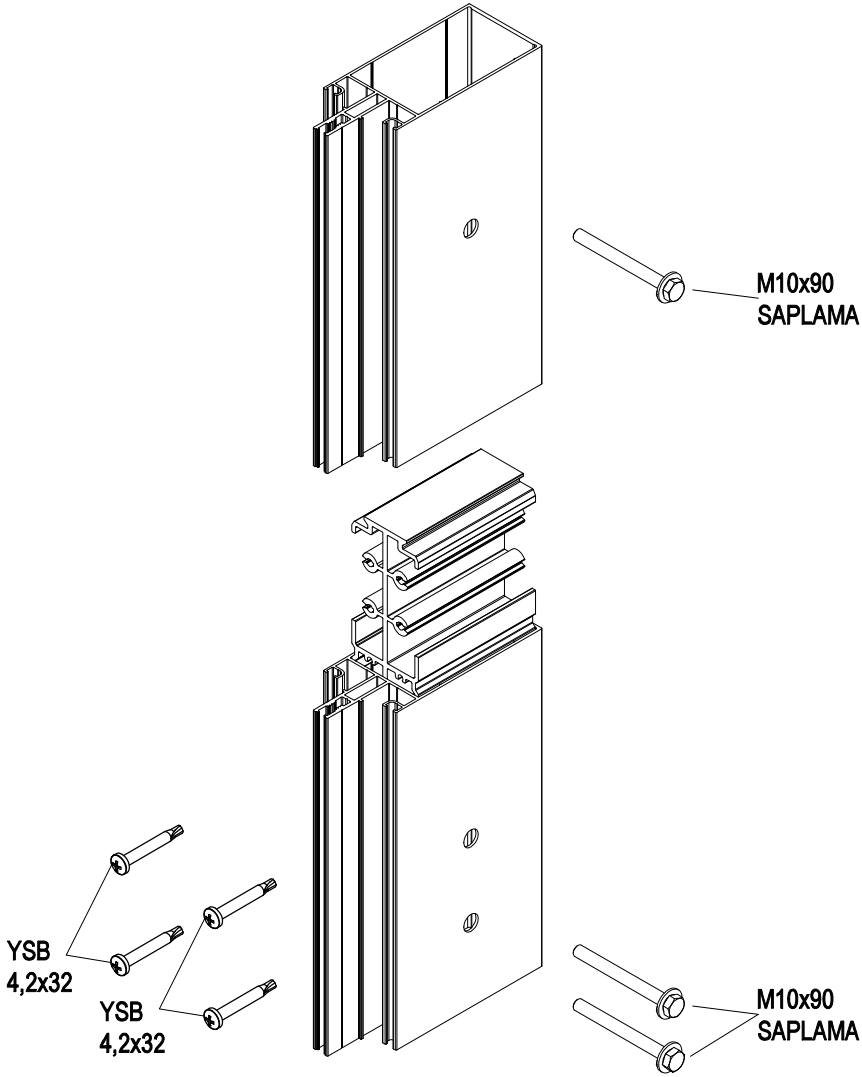
CEPHE SİSTEMİ
FAÇADE SYSTEM



FC50

CEPHE SİSTEMİ
FACADE SYSTEM

ASISTAL

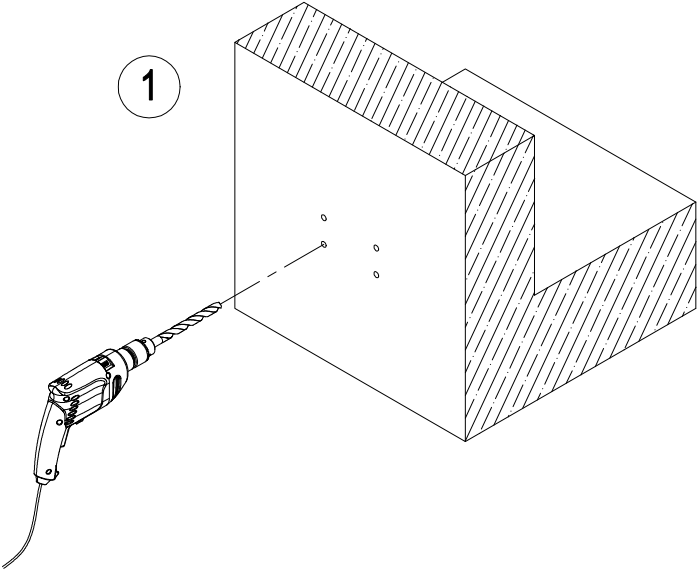


FC50

CEPHE SİSTEMİ
FACADE SYSTEM

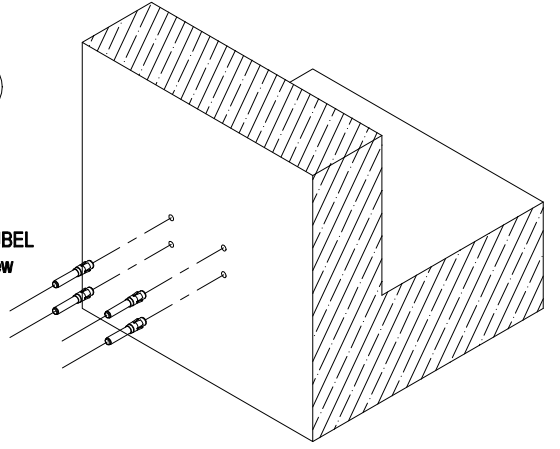


1

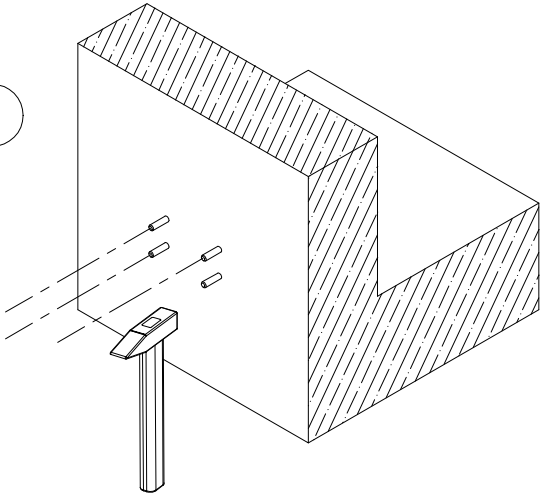


2

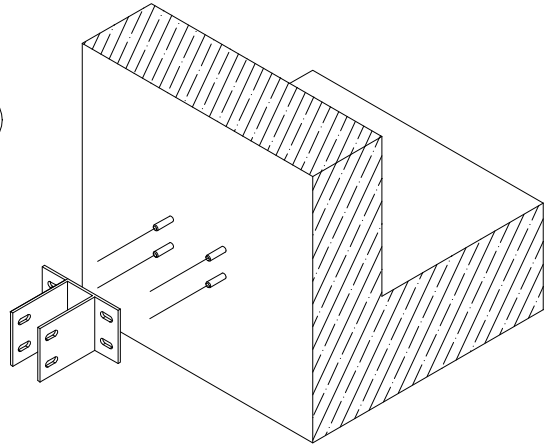
M12x110
ÇELİK DÜBEL
Steel Screw
M12x110



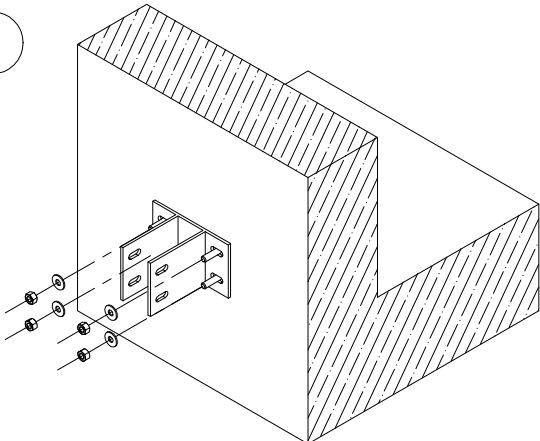
3



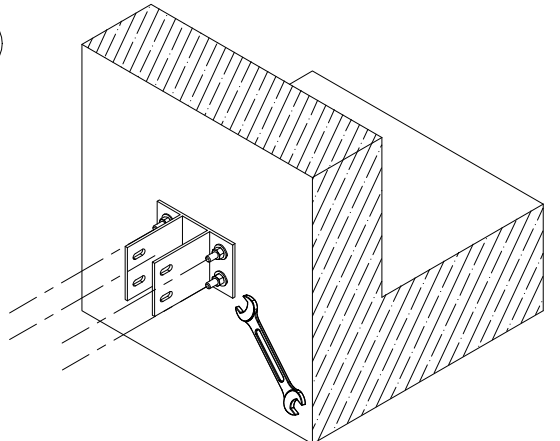
4



5

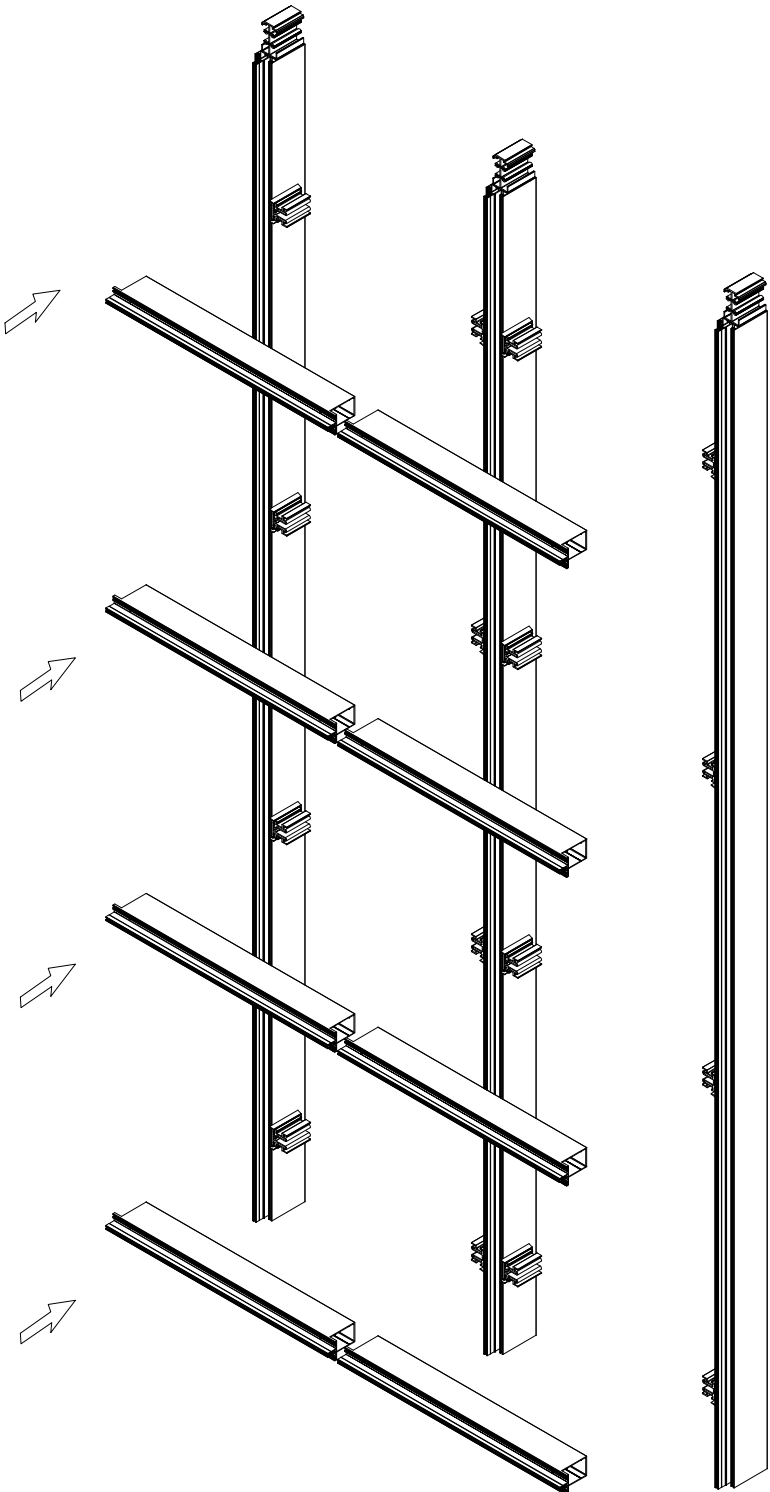


6



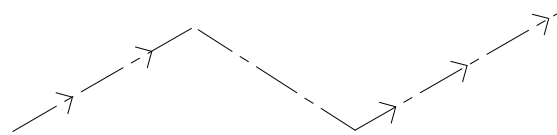
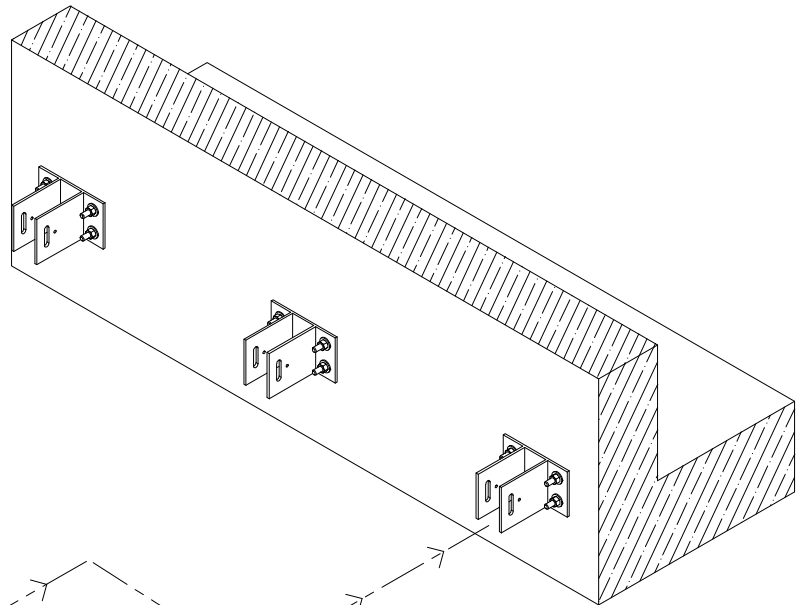
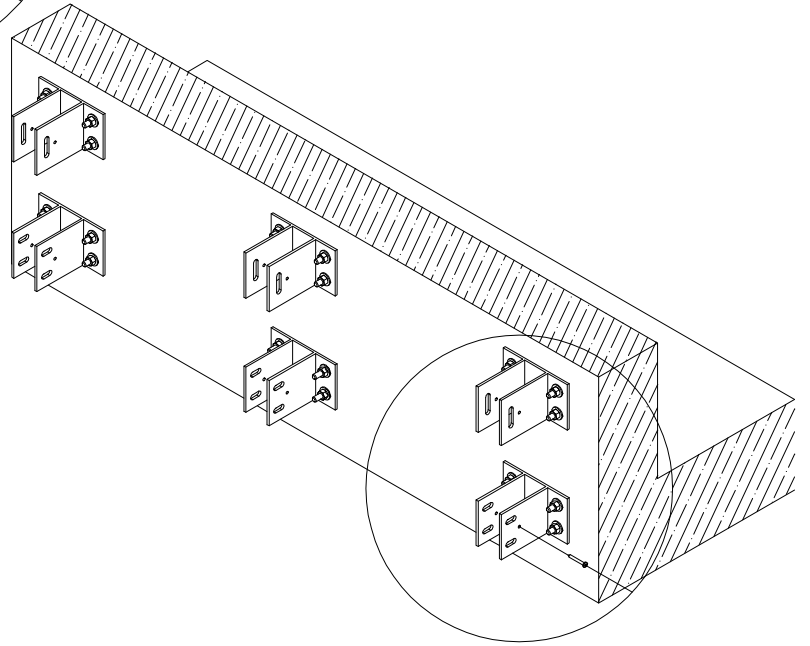
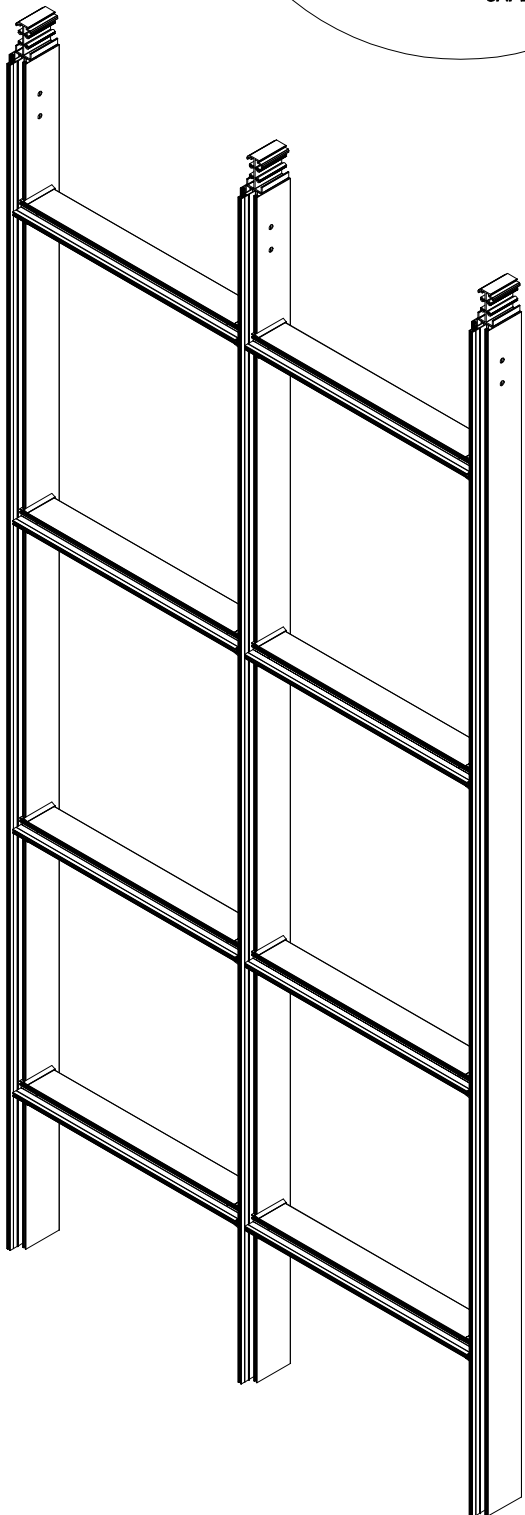
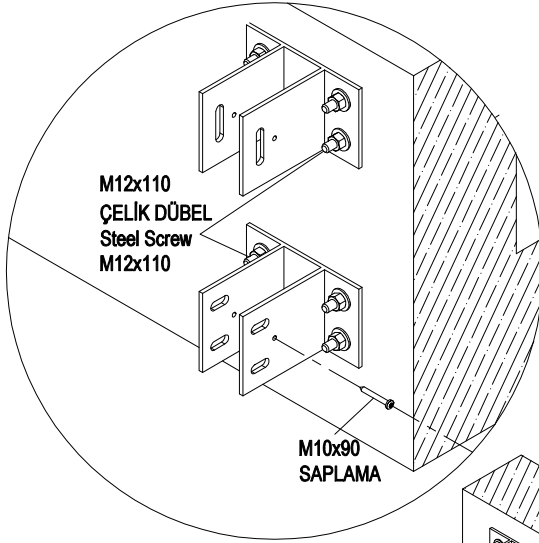
FC50

CEPHE SİSTEMİ
FACADE SYSTEM



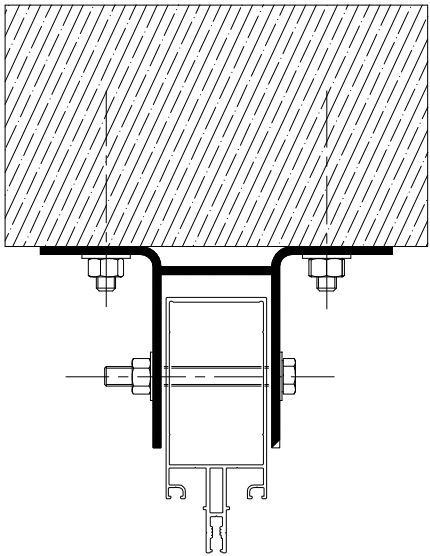
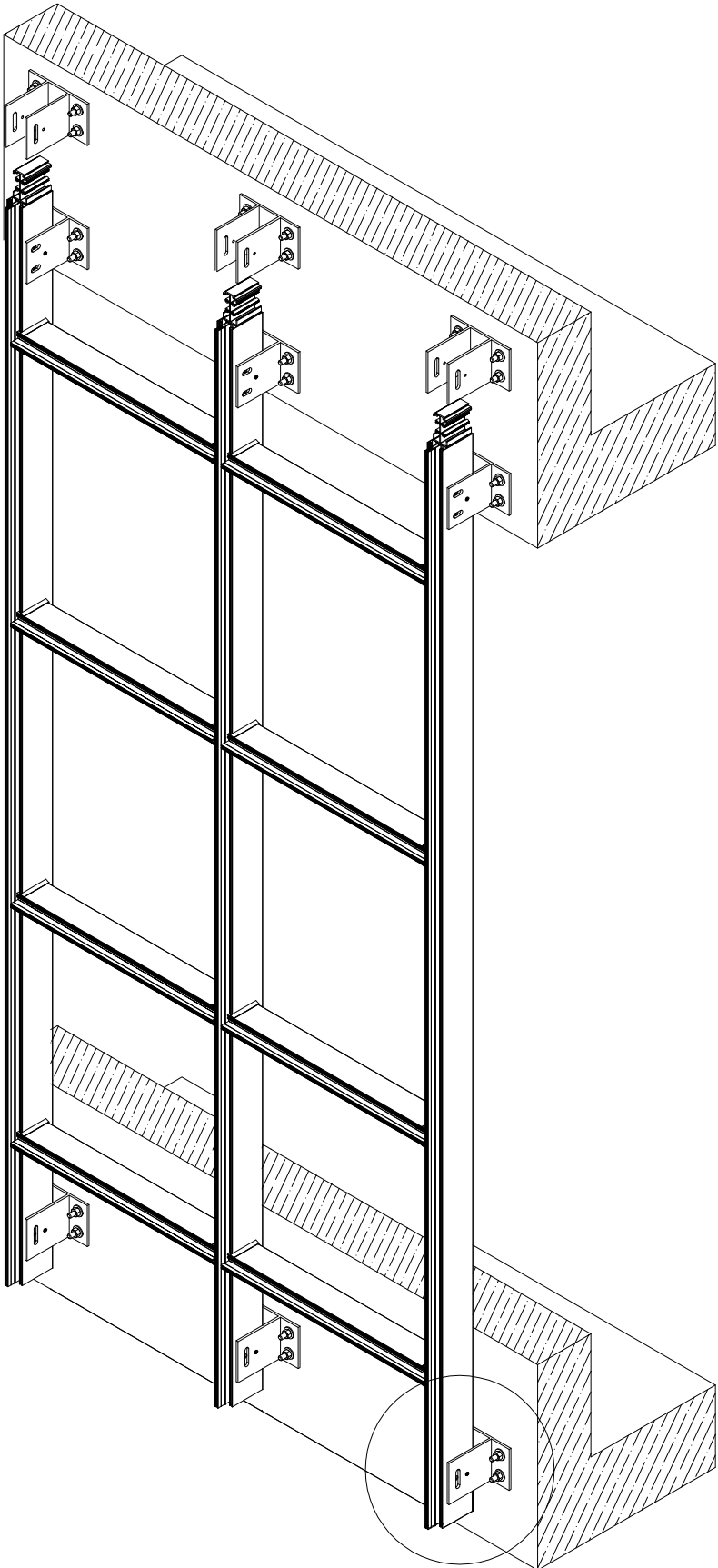
FC50

CEPHE SİSTEMİ
FACADE SYSTEM



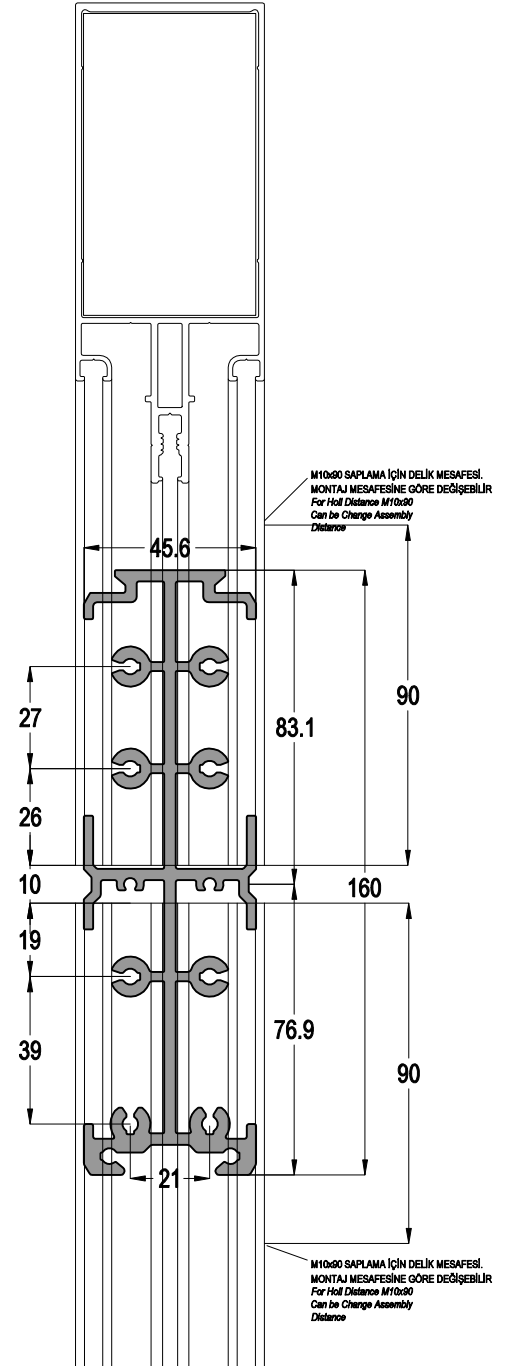
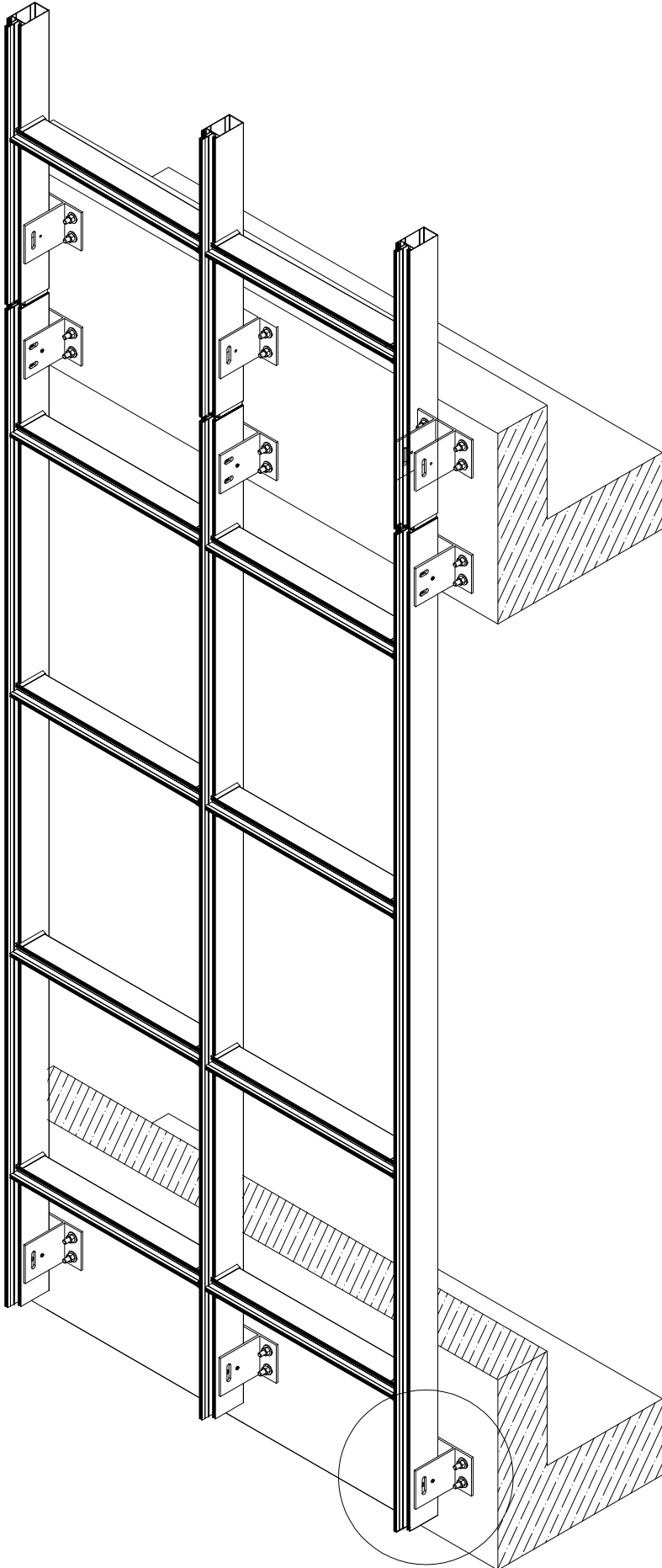
FC50

CEPHE SİSTEMİ
FACADE SYSTEM



FC50

CEPHE SİSTEMİ
FACADE SYSTEM

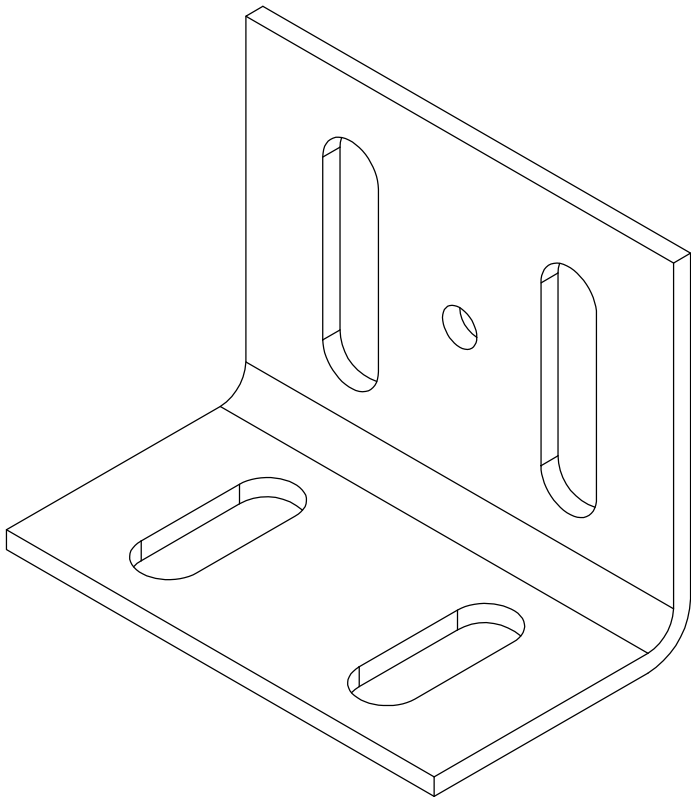
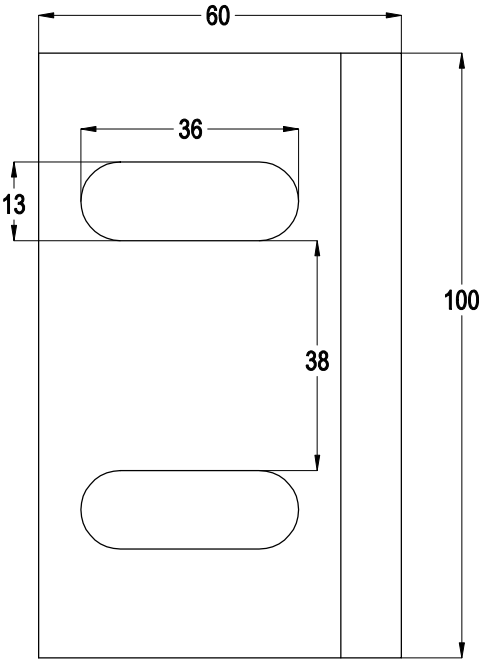
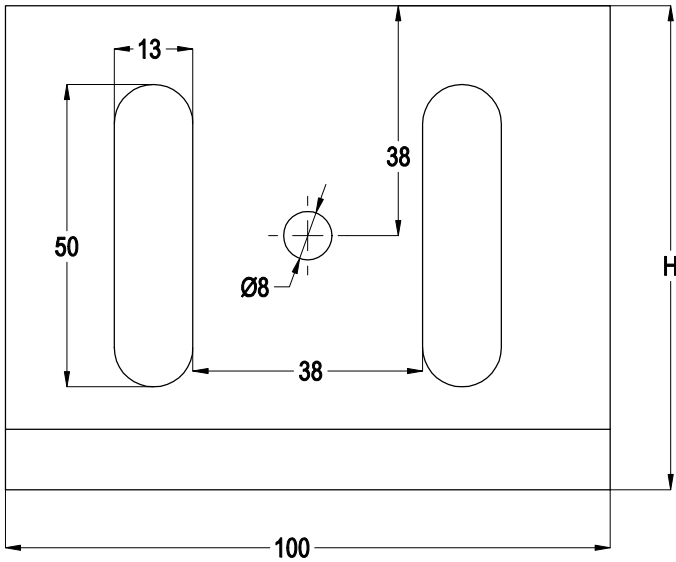
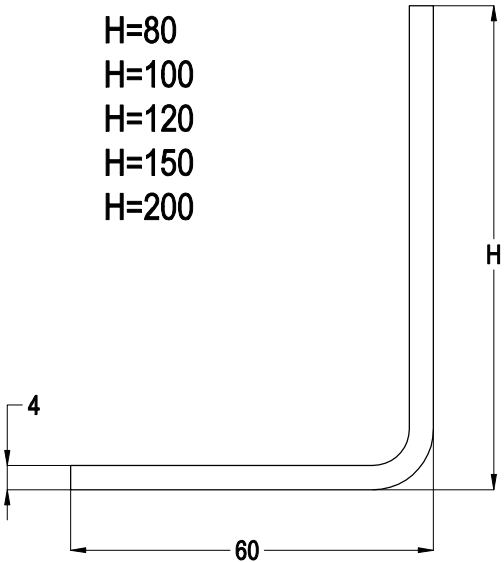


FC50

CEPHE SİSTEMİ
FACADE SYSTEM



H=80
H=100
H=120
H=150
H=200



FC50

CEPHE SİSTEMİ
FACADE SYSTEM



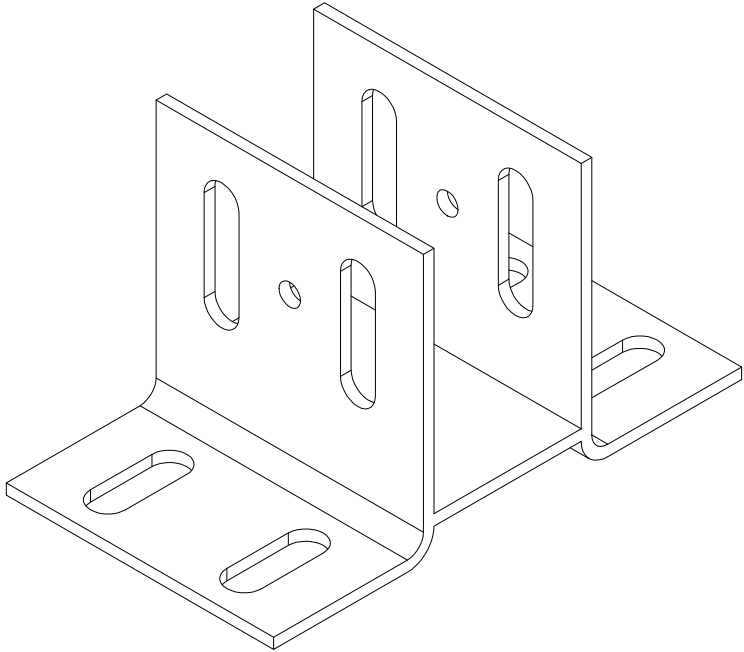
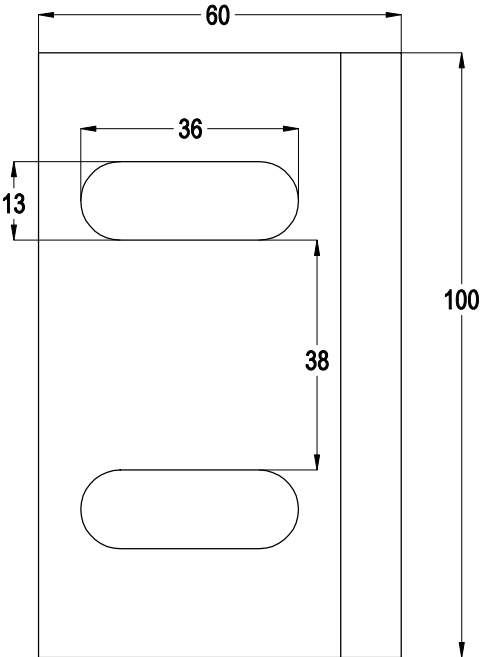
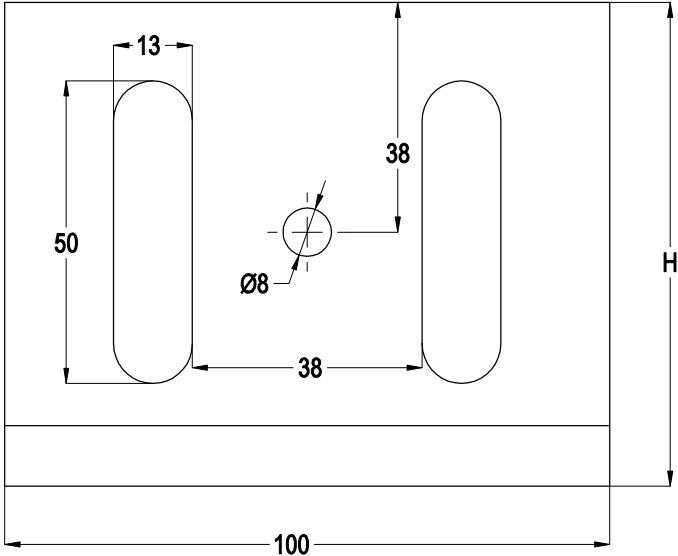
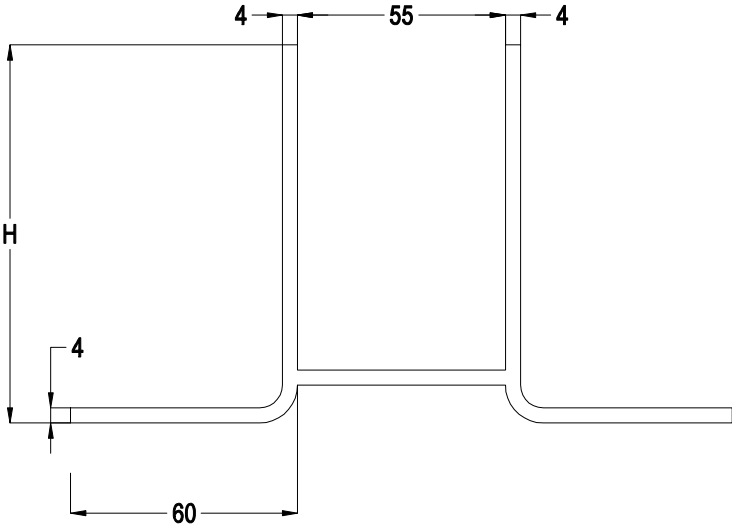
H=80

H=100

H=120

H=150

H=200



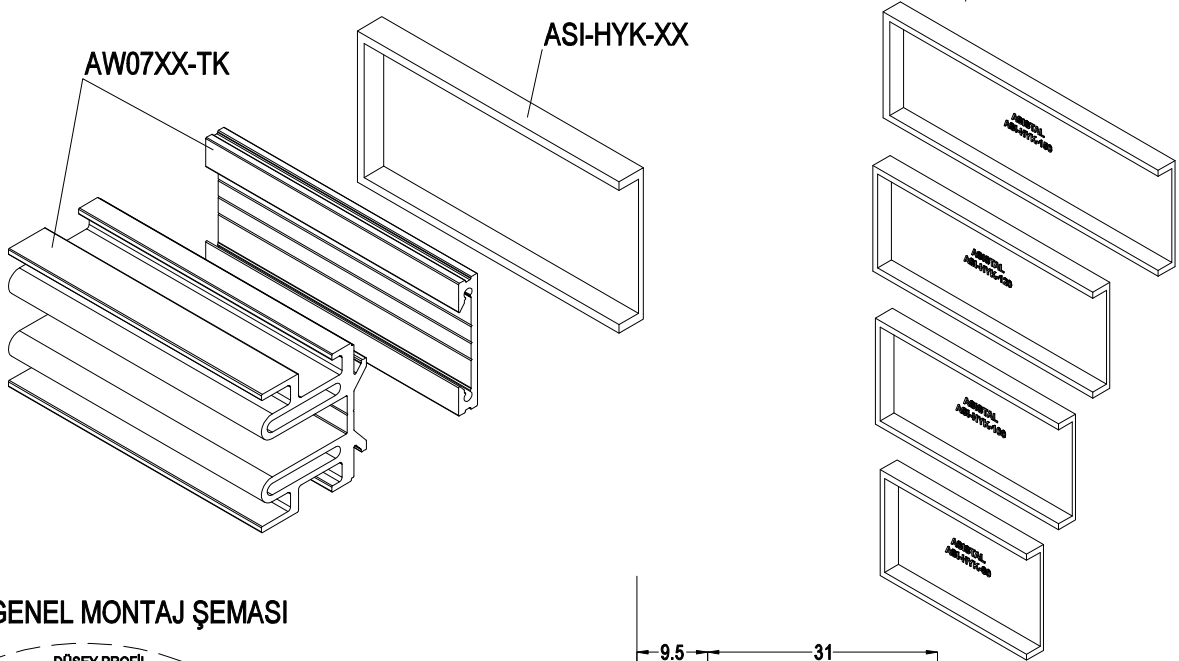
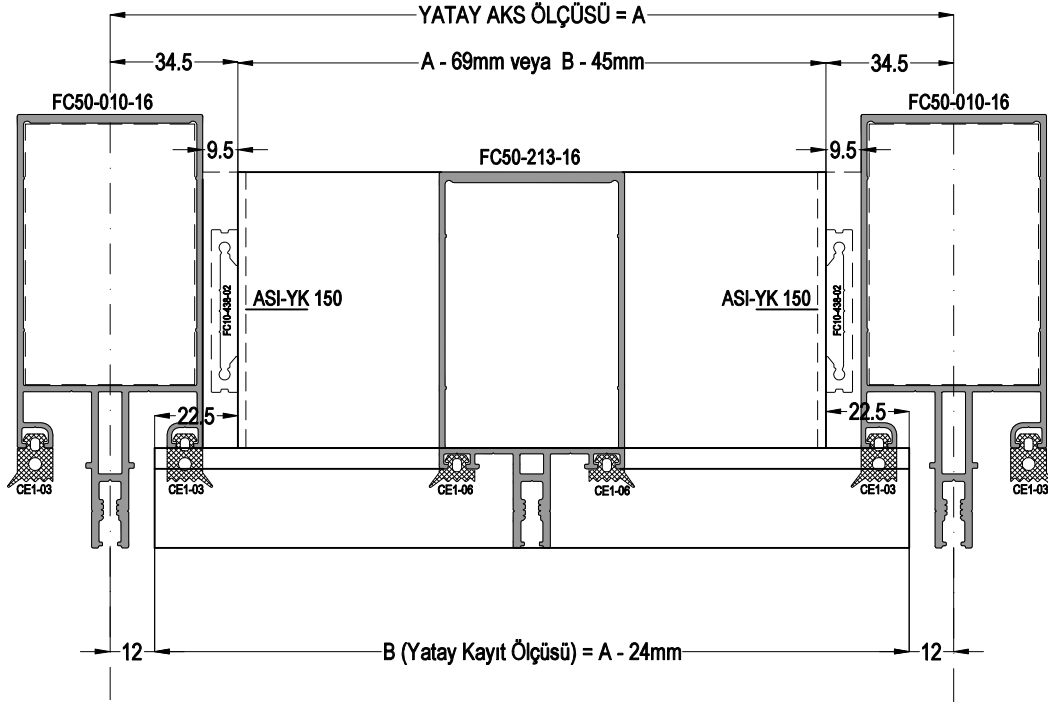
FC50-AS SİSTEM YATAY (KIZAKLI GEÇME) BAĞLANTI PROFİL KESİM ÖLÇÜSÜ

FC50-AS

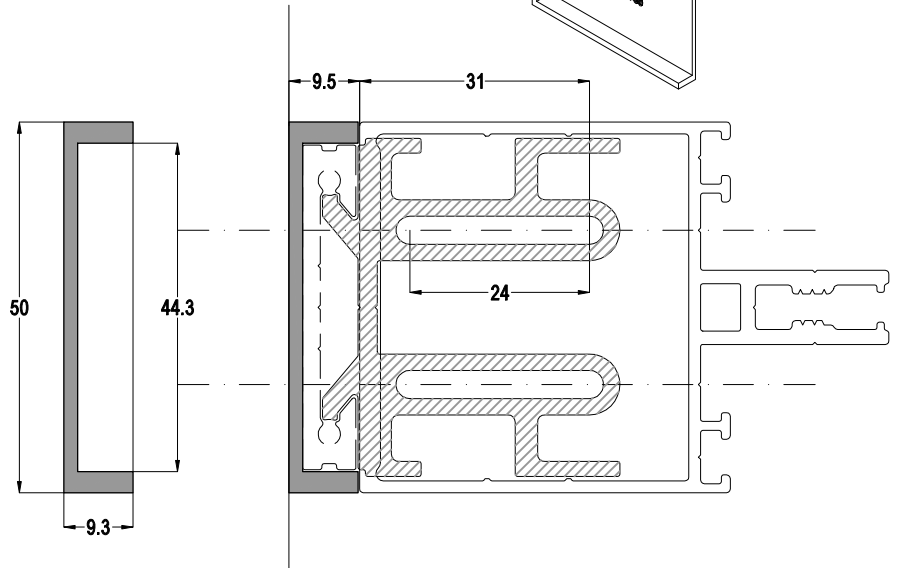
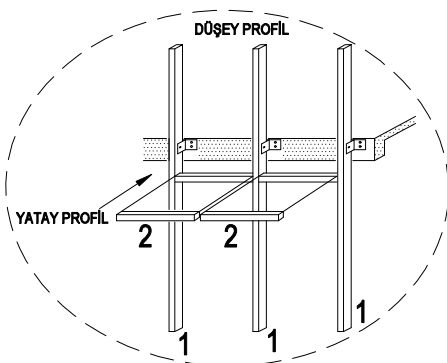
ALTERNATİF 1 (Yatay Kayıt Kertmeli)

TRANSOM JOINT BY SLIDING SYSTEM CUTTING SIZES / FC50-AS

PROPOSAL 1



GENEL MONTAJ ŞEMASI



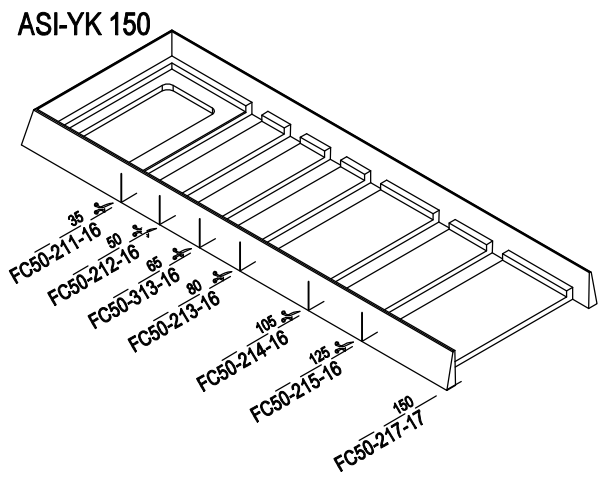
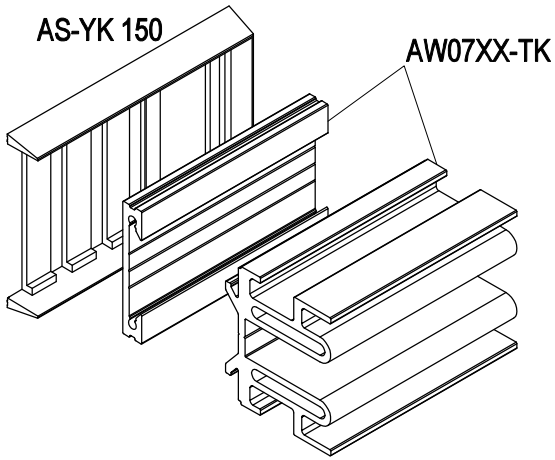
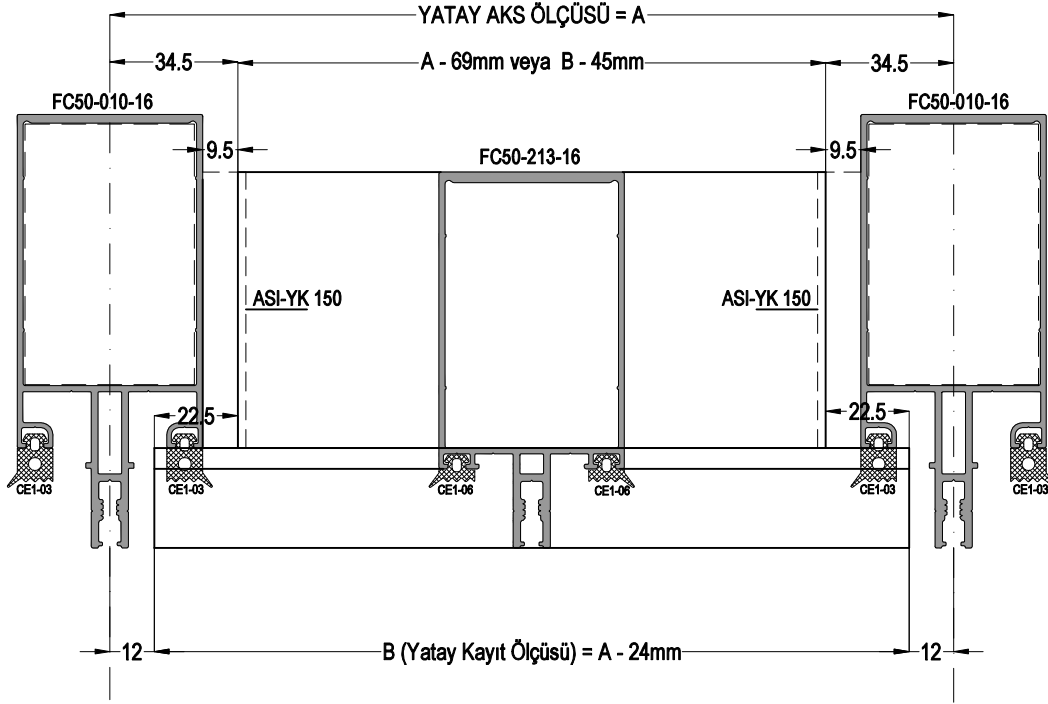
FC50-AS SİSTEM YATAY (KIZAKLI GEÇME) BAĞLANTI PROFİL KESİM ÖLÇÜSÜ

FC50-AS

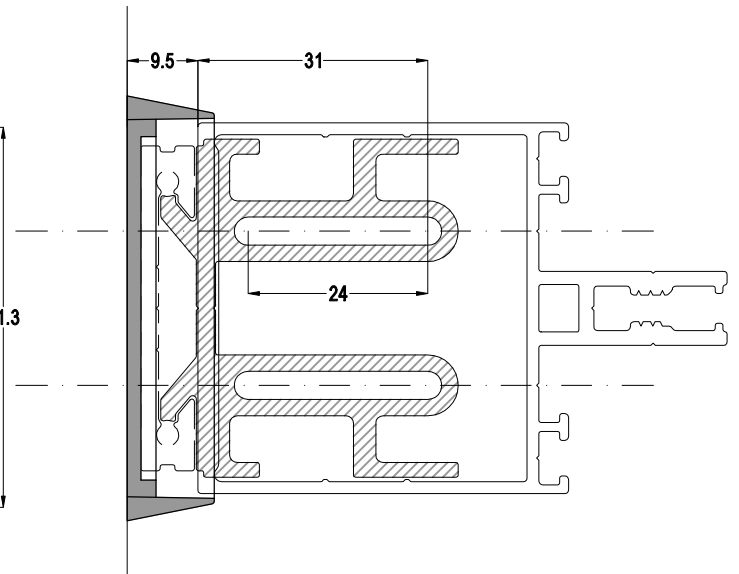
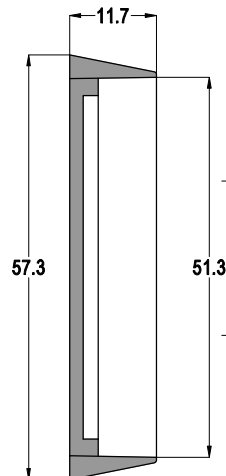
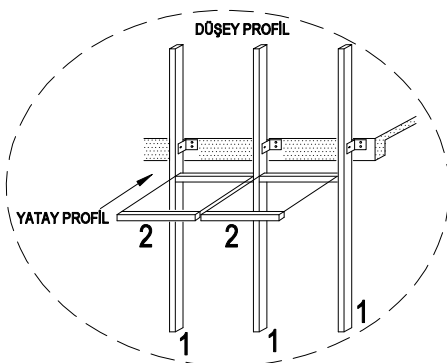
ALTERNATİF 2 (Yatay Kayıt Kertmeli)

TRANSOM JOINT BY SLIDING SYSTEM CUTTING SIZES / FC50-AS

PROPOSAL 2

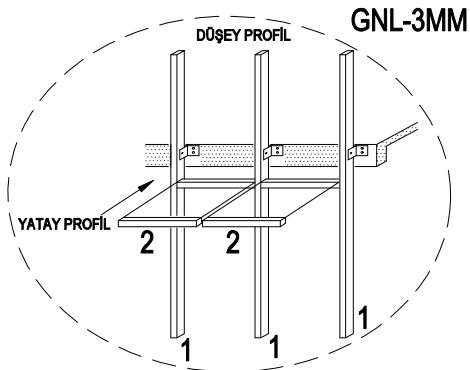
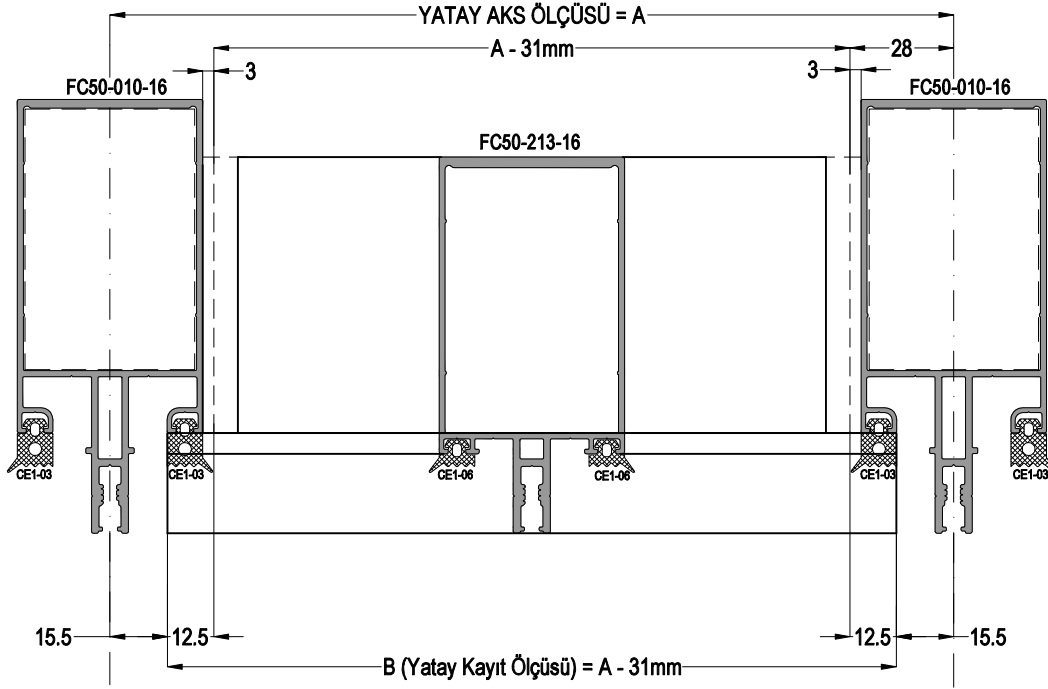


GENEL MONTAJ ŞEMASI

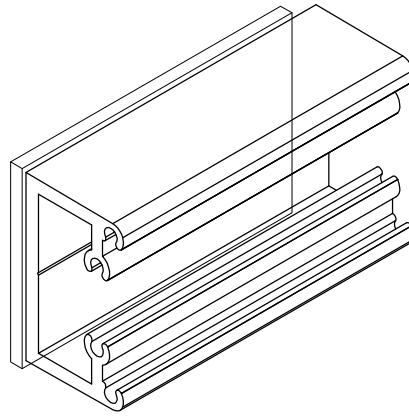


FC50-AS SİSTEM YATAY U (ÖRME GEÇME) BAĞLANTI PROFİL KESİM ÖLÇÜSÜ
ALTERNATİF 4 TRANSOM BASIC JOINT SYSTEM CUTTING SIZES / FC50-AS
PROPOSAL 4

FC50-AS

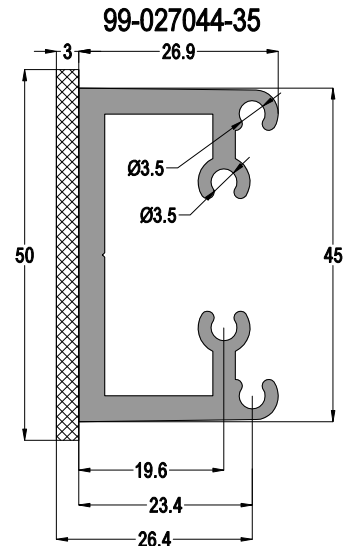
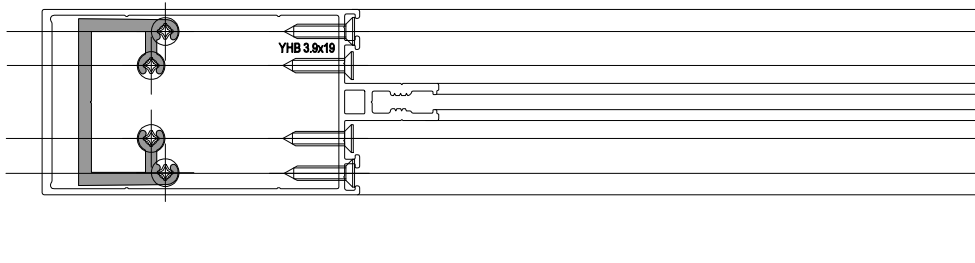


GENEL MONTAJ ŞEMASI



AW07XX

YATAY "U" BAĞLANTI SEÇİM TABLOSU Accessories Selection Table For Transom "U" Joint			
PROFİL KODU Profile code	PARÇA KODU Accessories code	(GNL-3MM)EPDM GENİŞLEME CONTASI (mm) EPDM EXPANSION GASKET-3MM Size	FC10-485-02 KESİM ÖLÇÜSÜ Cutting Size (mm)
FC50-211-16	AW0725	30	26,5
FC50-212-16	AW0741	44,4	41
FC50-213-18	AW0752	54,4	51,9
FC50-313-16	AW0756	59,4	56
FC50-007-16	AW0772	74,4	72,2
FC50-213-16	AW0771	74,4	71
FC50-203-17	AW0786	80	76,8
FC50-213-17	AW0786	80	76,8
FC50-204-16	AW0796	100	96,5
FC50-214-16	AW0796	100	96,5
FC50-215-16	AW0716	120	116,5
FC50-217-18	AW0745	150	145



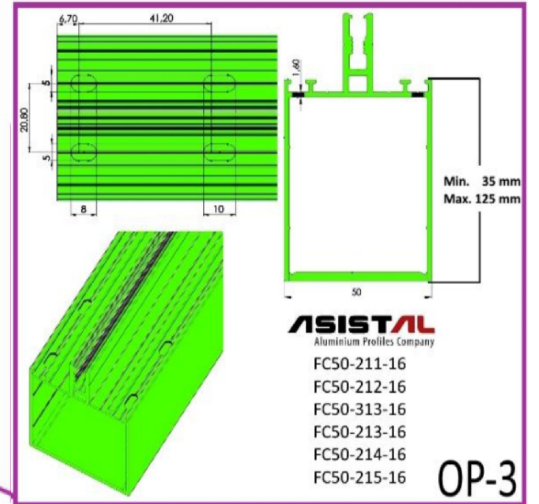
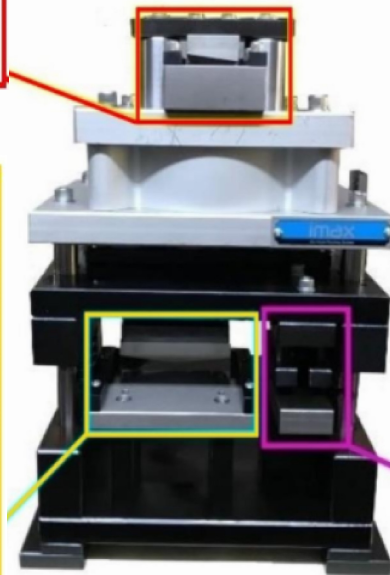
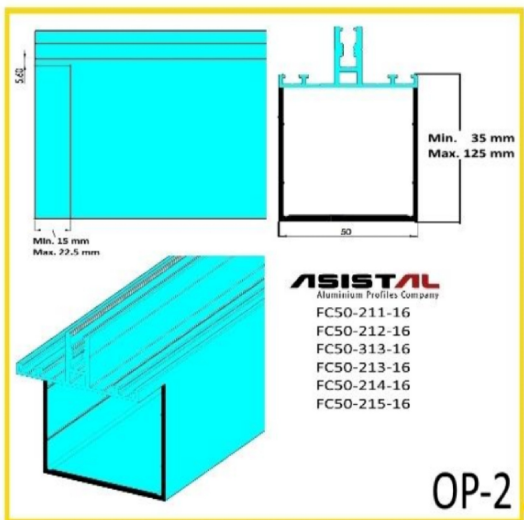
FC50

CEPHE SİSTEMİ
FACADE SYSTEM

ASISTAL



PNC - FC50
YATAY PROFİL KERTME PANÇ MAKİNESİ
PUNCH MACHINE FOR TRANSOM JOINT CUTTING



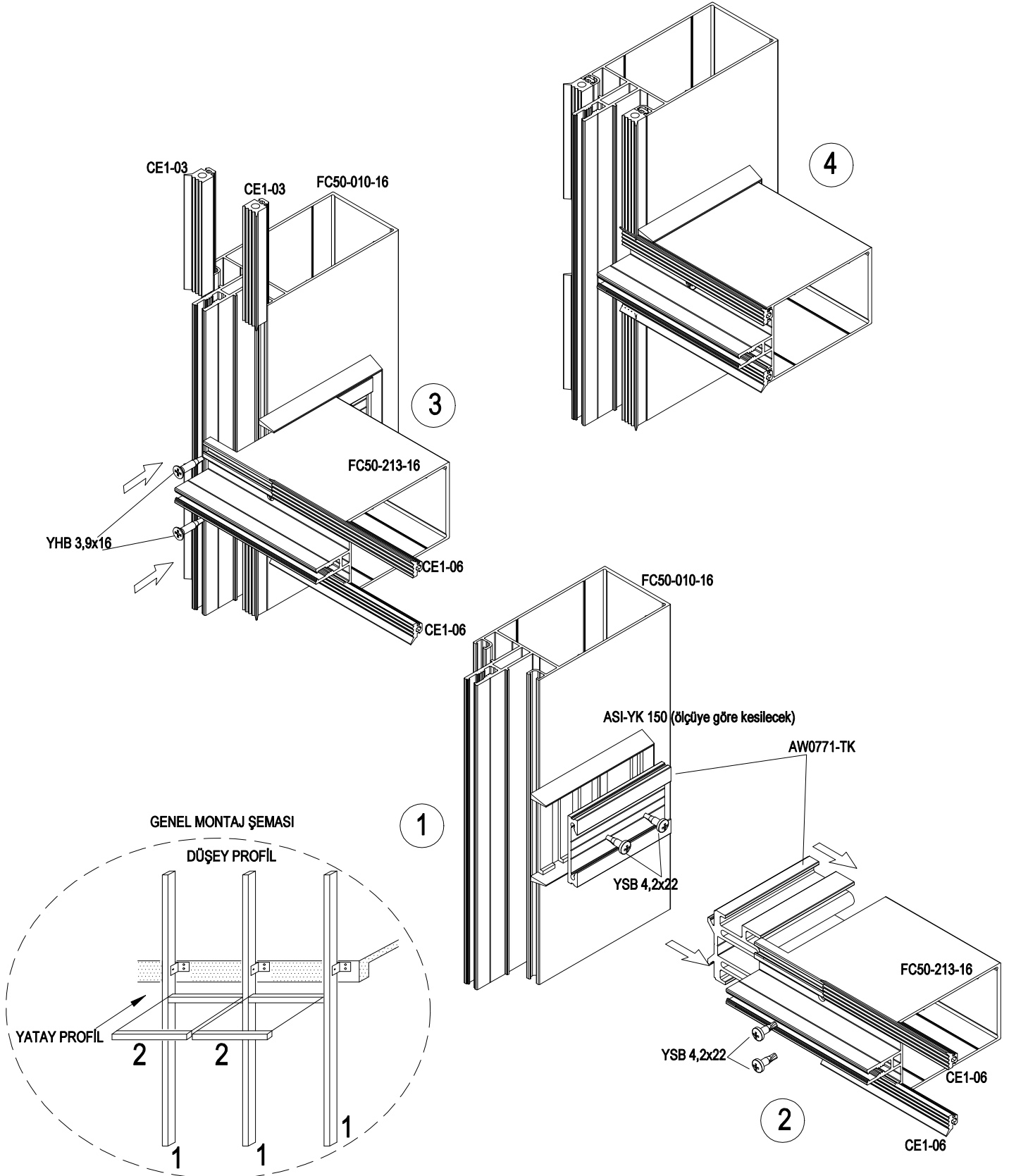
FC50-AS SİSTEM YATAY (KIZAKLI GEÇME) BAĞLANTI MONTAJ DETAYI

ALTERNATİF 2 (Yatay Kayıt Kertmeli)

TRANSOM JOINT BY SLIDING SYSTEM ASSEMBLY DETAIL / FC50-AS

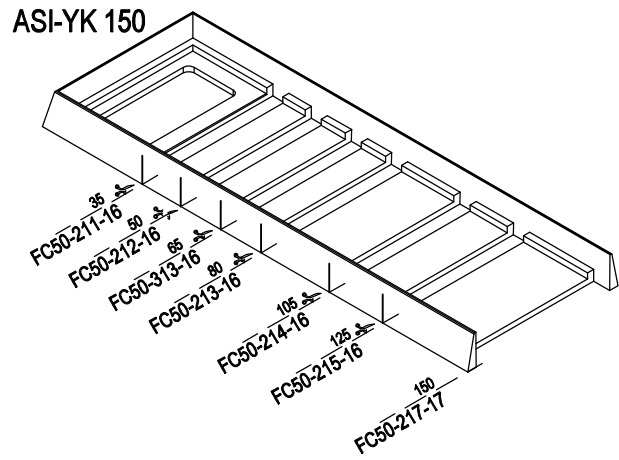
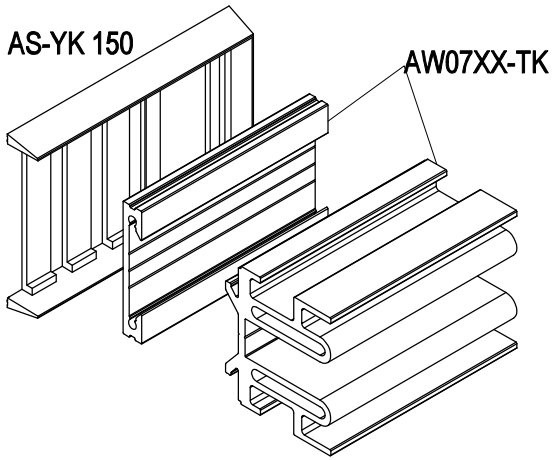
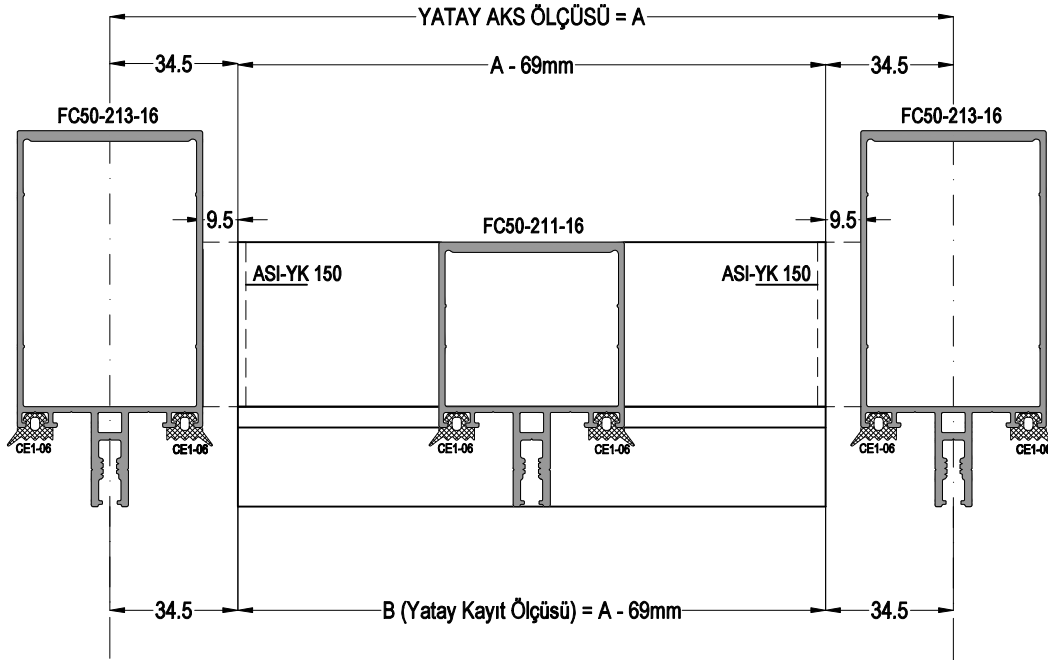
PROPOSAL 2 (Standart Cutting)

FC50-AS

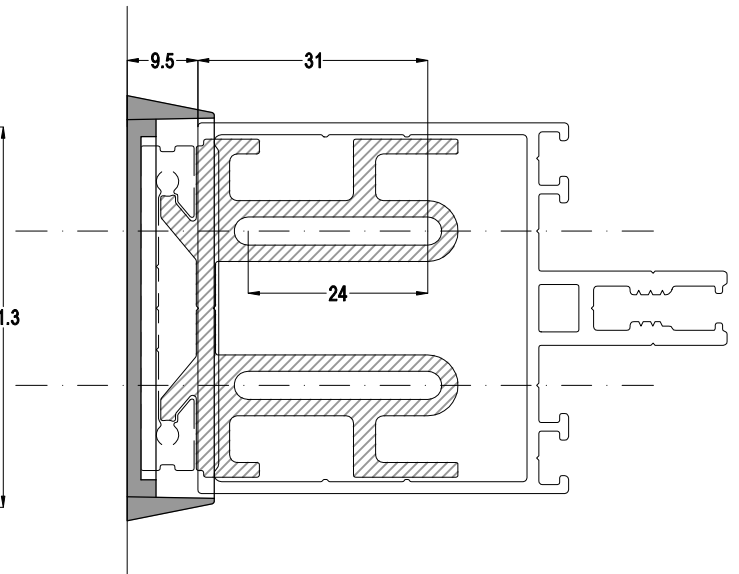
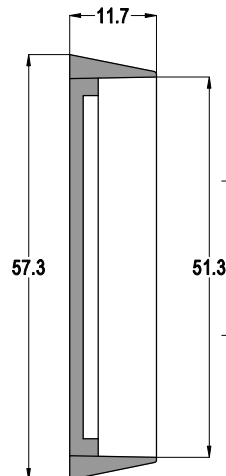
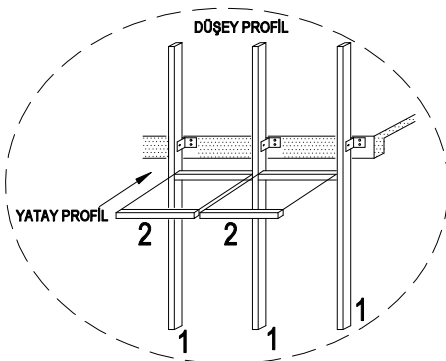


FC50-AST SİSTEM YATAY (KIZAKLI GEÇME) BAĞLANTI PROFİL KESİM ÖLÇÜSÜ
TRANSOM JOINT BY SLIDING SYSTEM, CUTTING SIZES / FC50-AST

FC50-AST

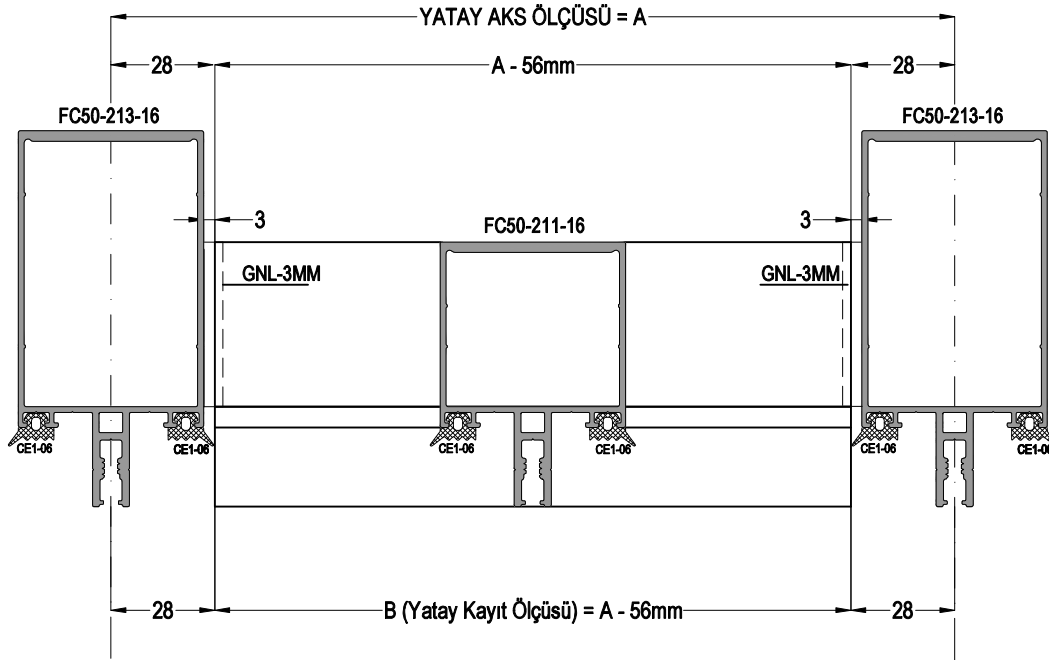


GENEL MONTAJ ŞEMASI

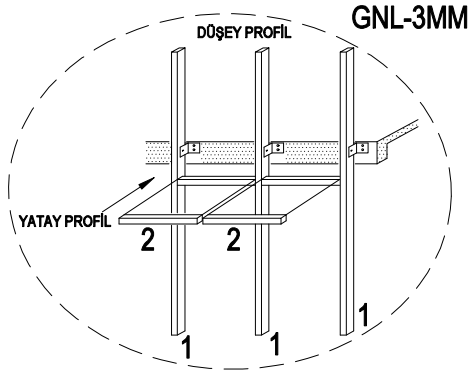


FC50-AST SİSTEM YATAY U (ÖRME GEÇME) BAĞLANTI PROFİLİ KESİM ÖLÇÜSÜ
TRANSOM BASIC JOINT SYSTEM CUTTING SIZES

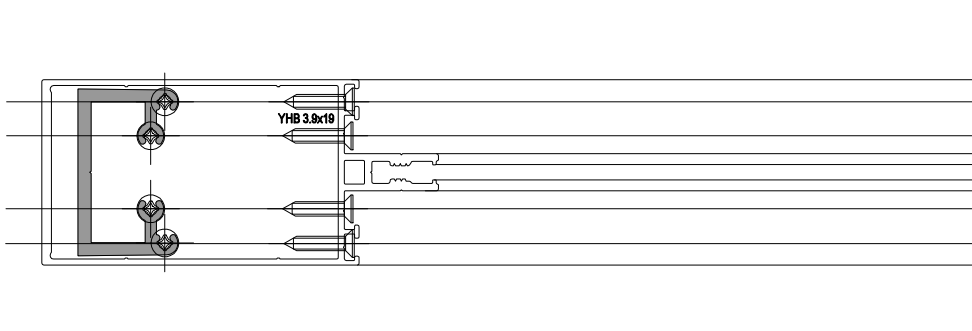
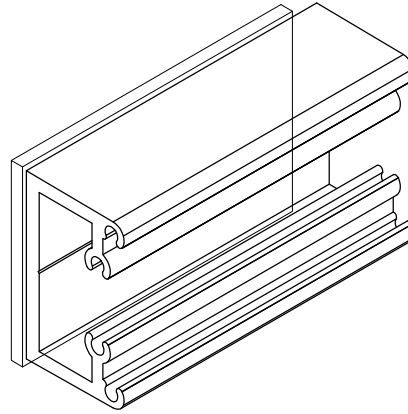
FC50-AST



AW07XX

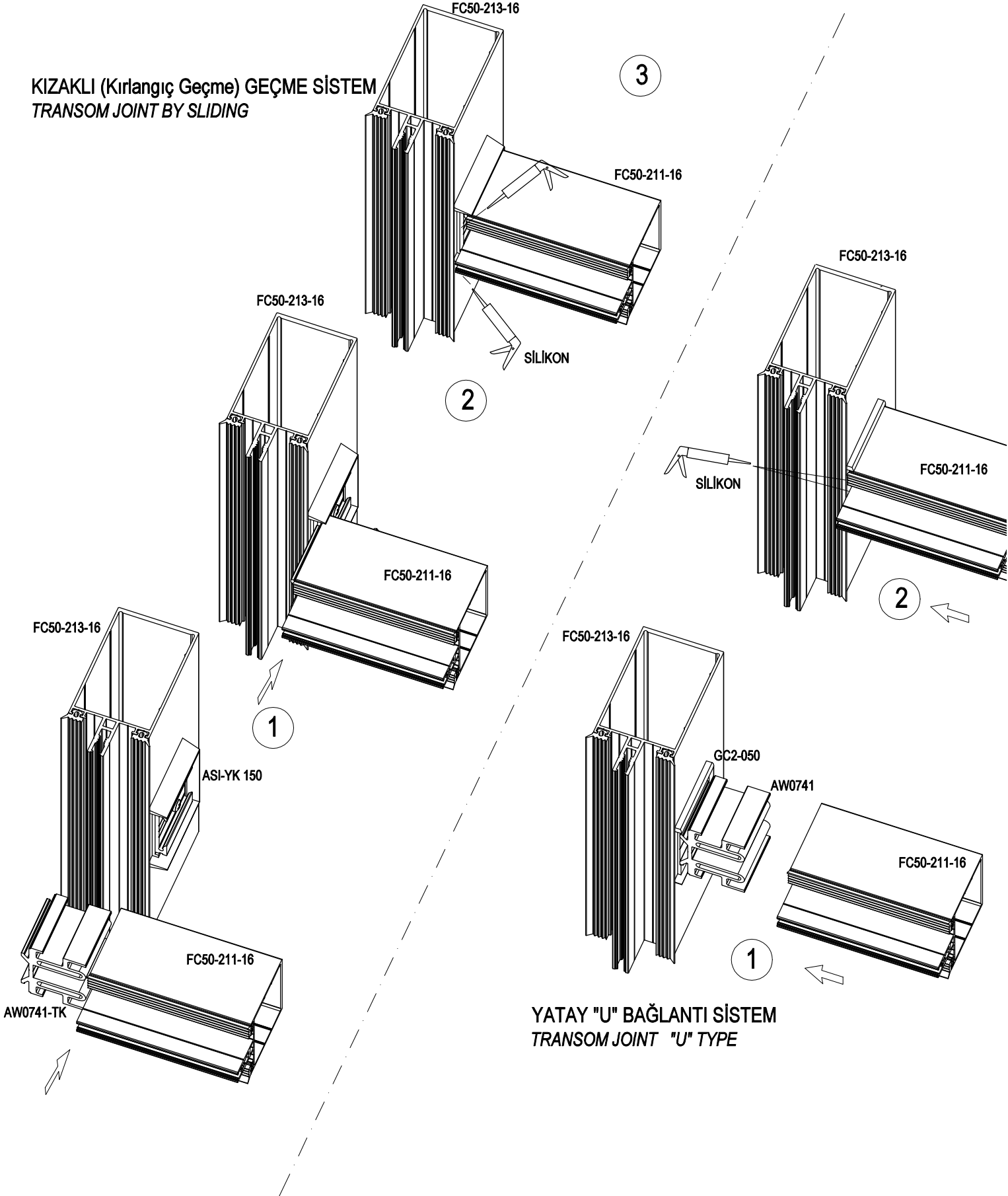


GENEL MONTAJ ŞEMASI



FC50-AST SİSTEM, YATAY BAĞLANTI MONTAJ DETAYI
TRANSOM JOINT FOR FC50-AST SYSTEM

FC50-AST

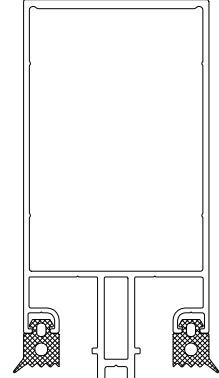
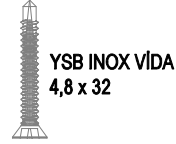
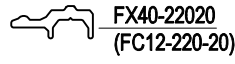
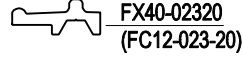
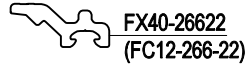
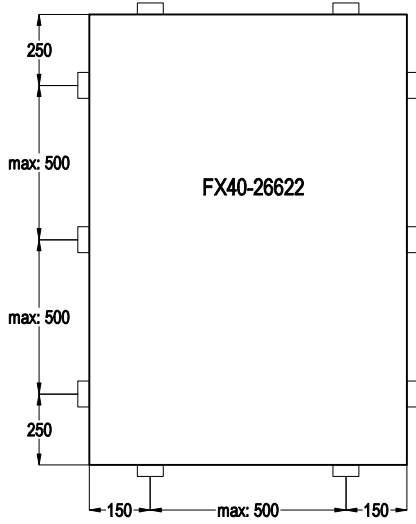
KIZAKLI (Kırlangıç Geçme) GEÇME SİSTEMİ
TRANSOM JOINT BY SLIDING

FC50

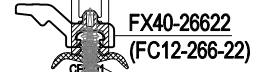
CEPHE SİSTEMİ
FACADE SYSTEM



FC50-AS5 FC50-AST4



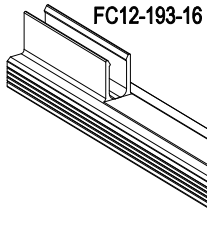
FC12-193-16



FX40-26622
(FC12-266-22)

PF50-M01

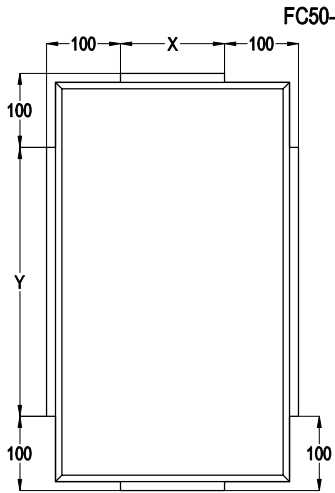
YSB INOX VİDA
4,8 x 32



TÜM KÖŞELER
45° KESİLMELİ ve
100mm KERTİLMELİ

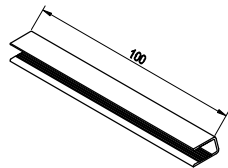
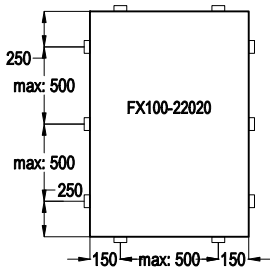
PF50-M01

PF50-M01

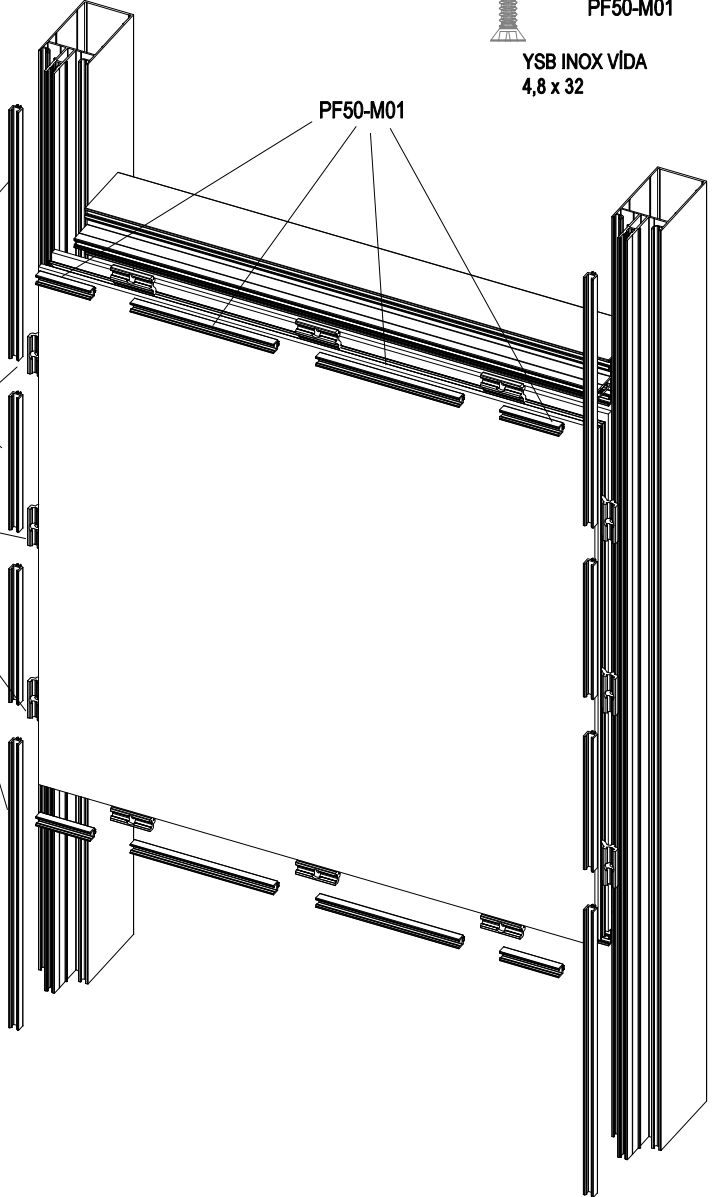


FX40-26622

FC12-193-16



FX100-22020



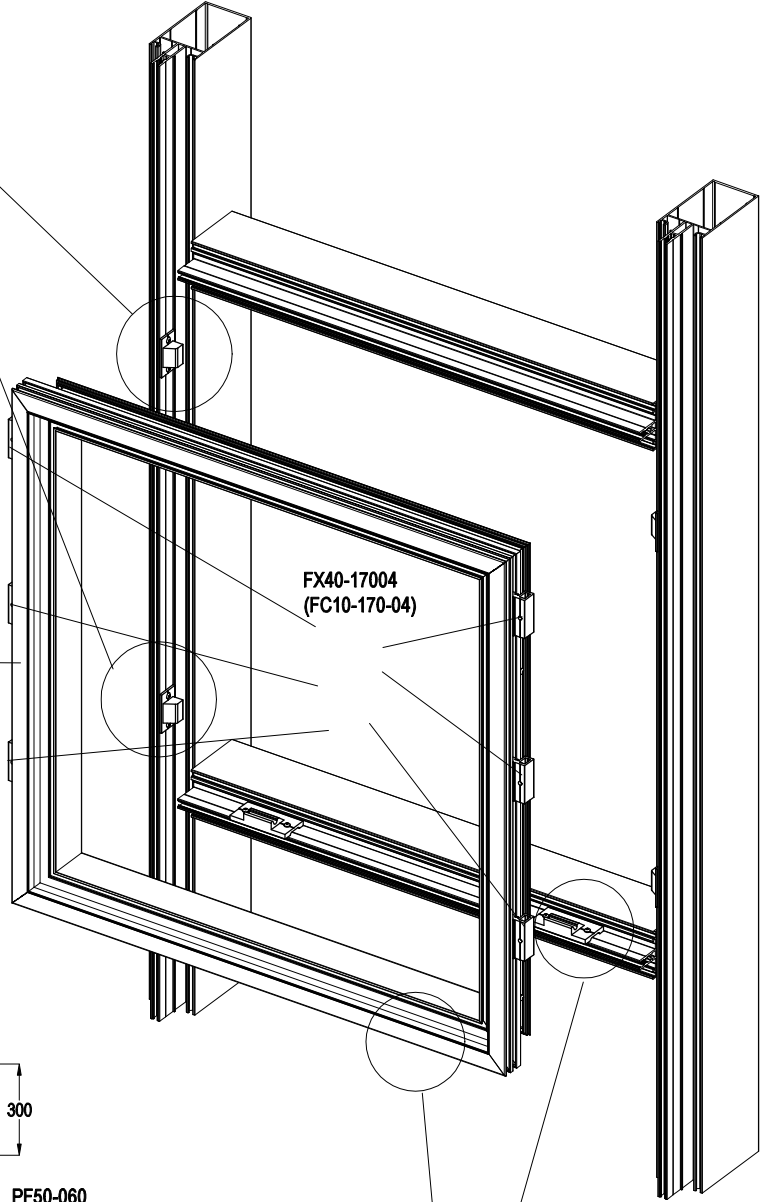
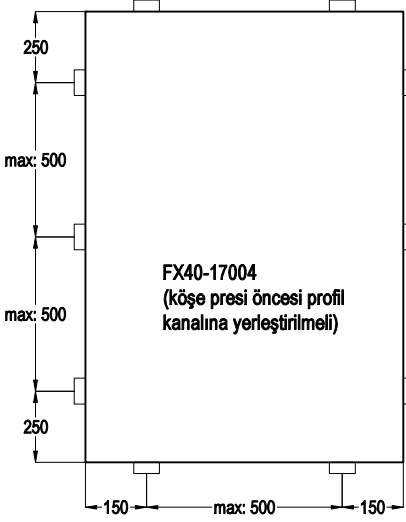
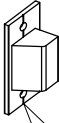
FC50

CEPHE SİSTEMİ
FACADE SYSTEM

ASISTAL

FC50-AS3 FC50-AST3

PF50-060



FX40-17004
(FC10-170-04)

PF50-060

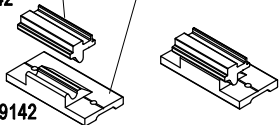


PF50-060



SG40-19142

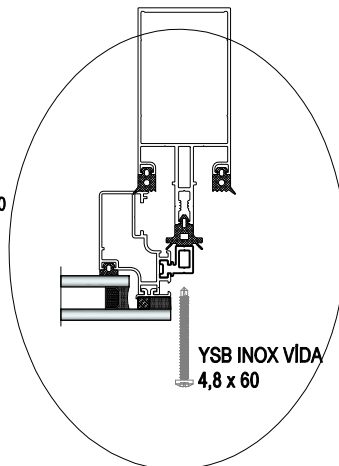
PF50-19142



SG40-19142

135 X 135
X X

PF50-19142



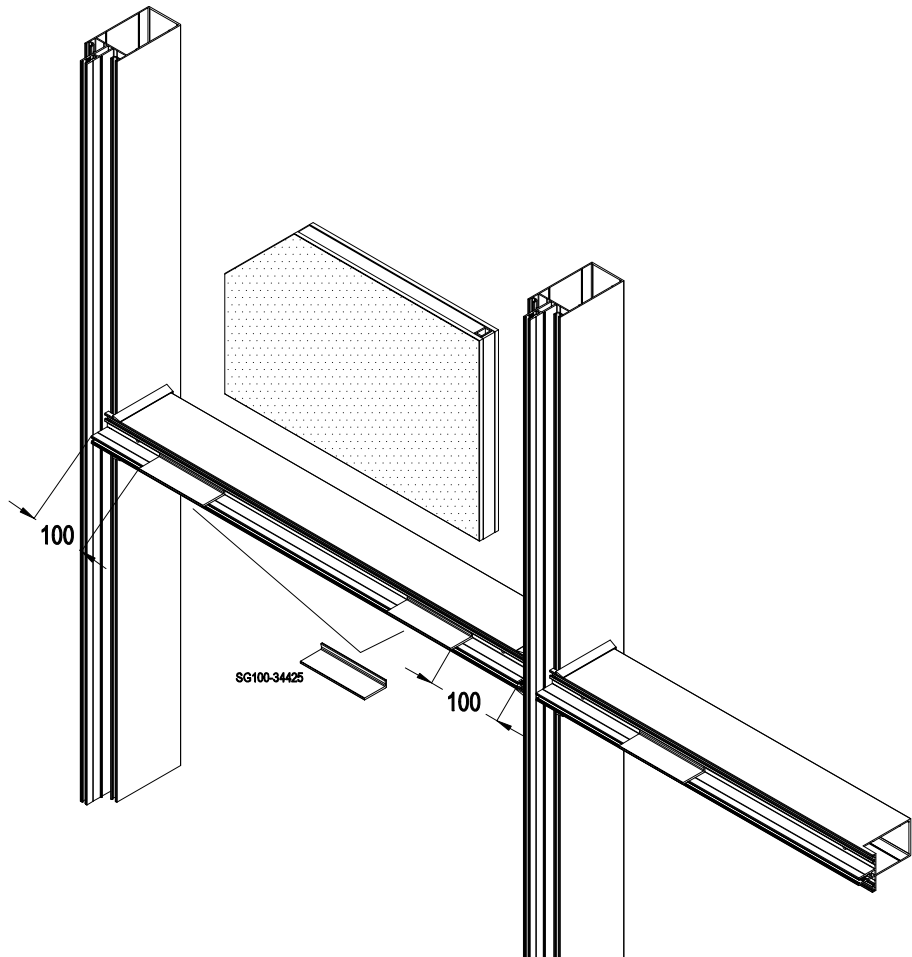
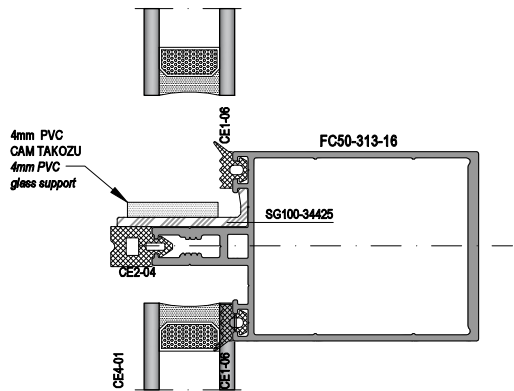
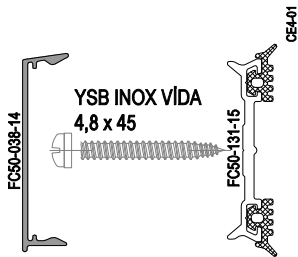
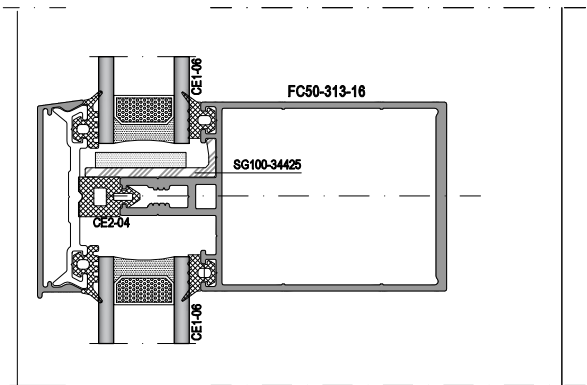
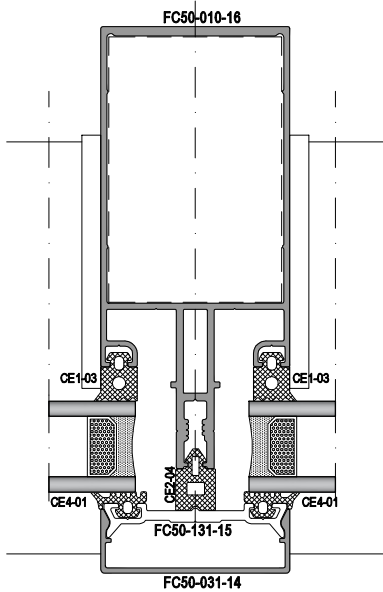
YSB INOX VİDA
4,8 x 60

YSB INOX VİDA
4,8 x 60



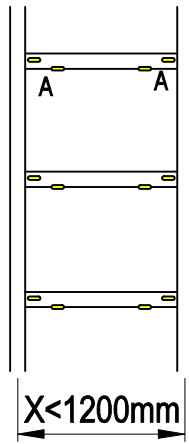
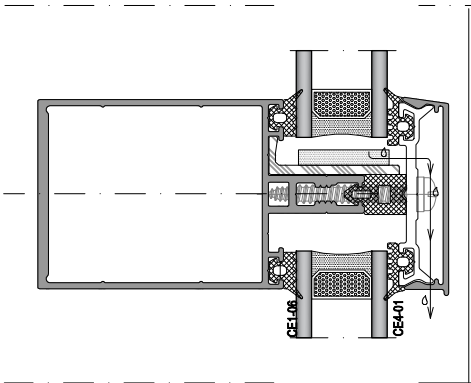
FC50

CEPHE SİSTEMİ
FACADE SYSTEM

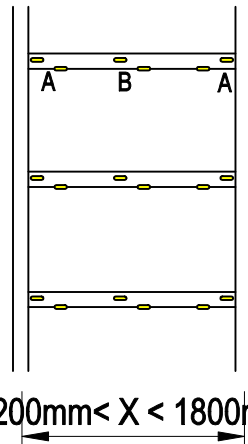


FC50

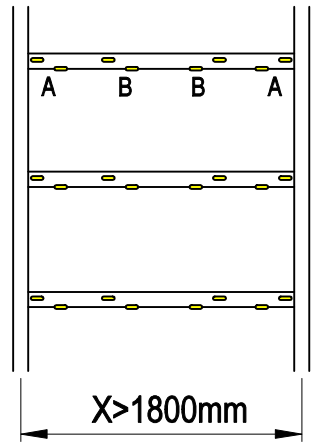
CEPHE SİSTEMİ
FACADE SYSTEM



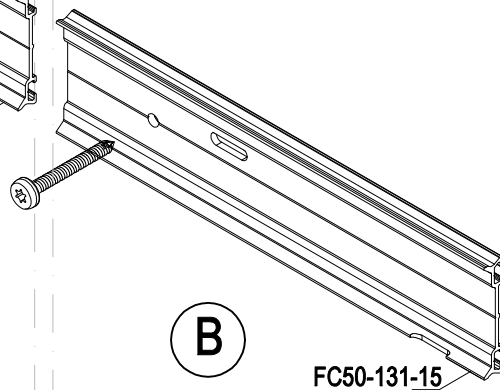
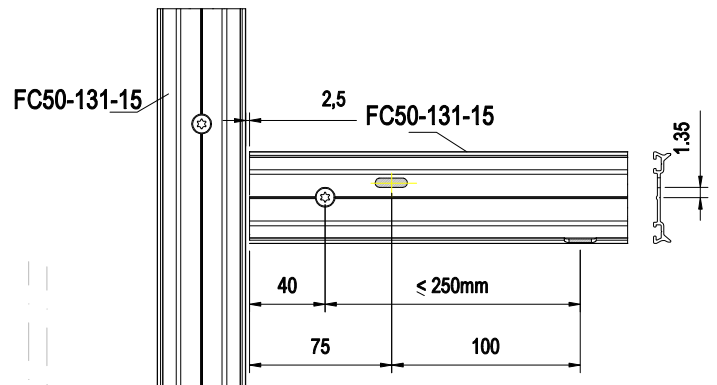
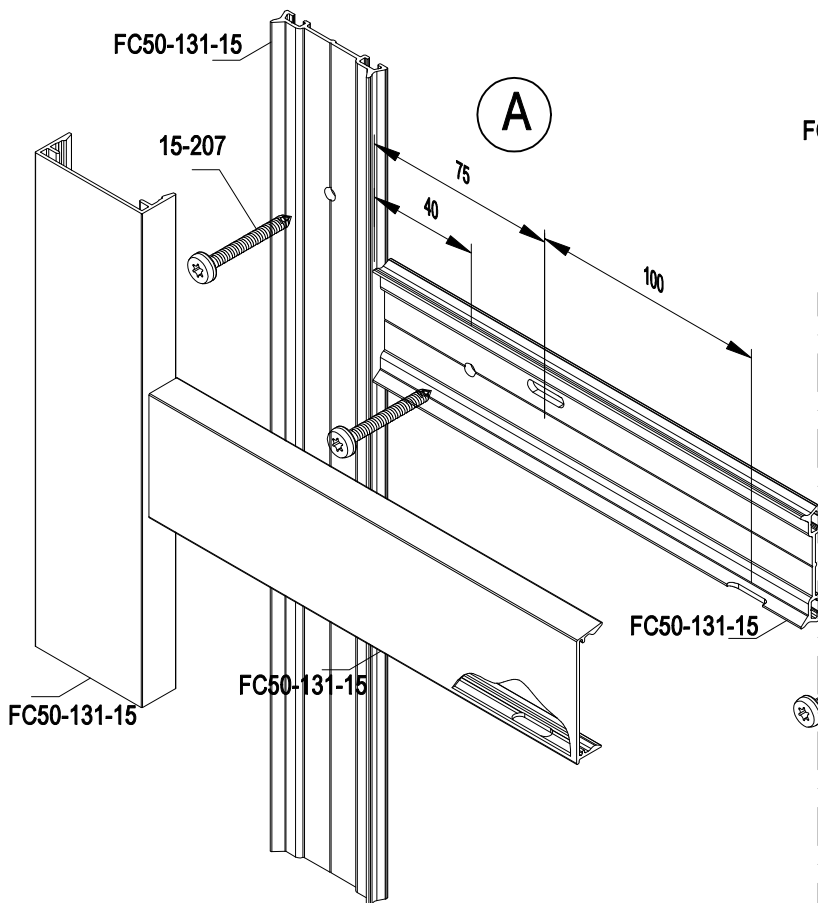
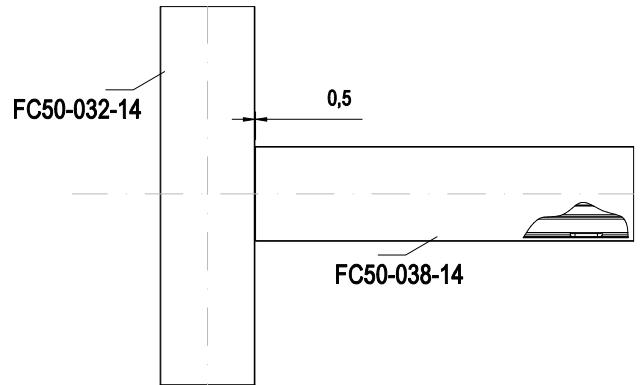
$X < 1200\text{mm}$



$1200\text{mm} < X < 1800\text{mm}$



$X > 1800\text{mm}$



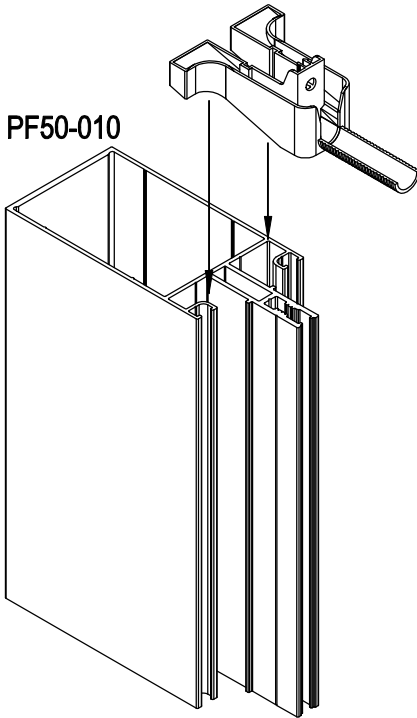
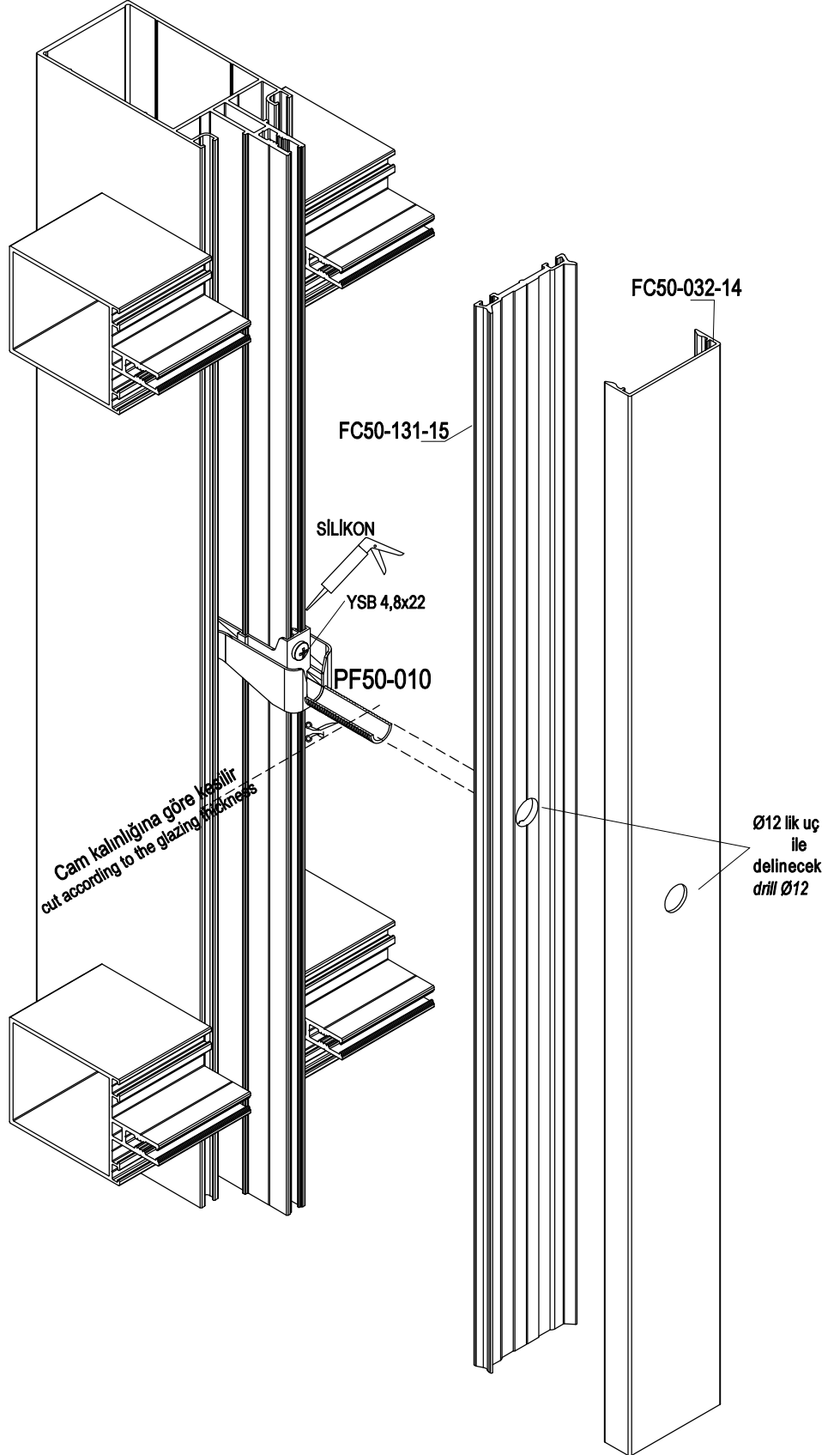
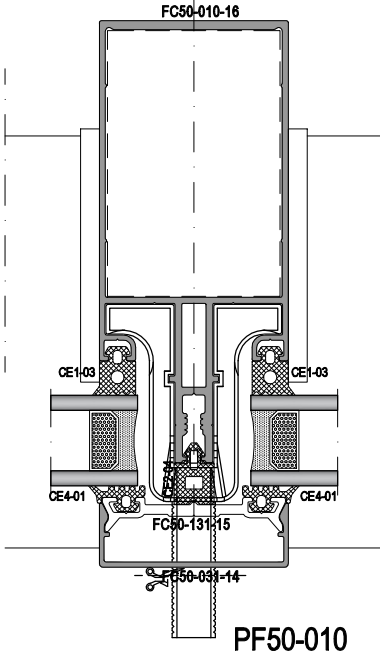
B

FC50-131-15

FC50

CEPHE SİSTEMİ
FACADE SYSTEM

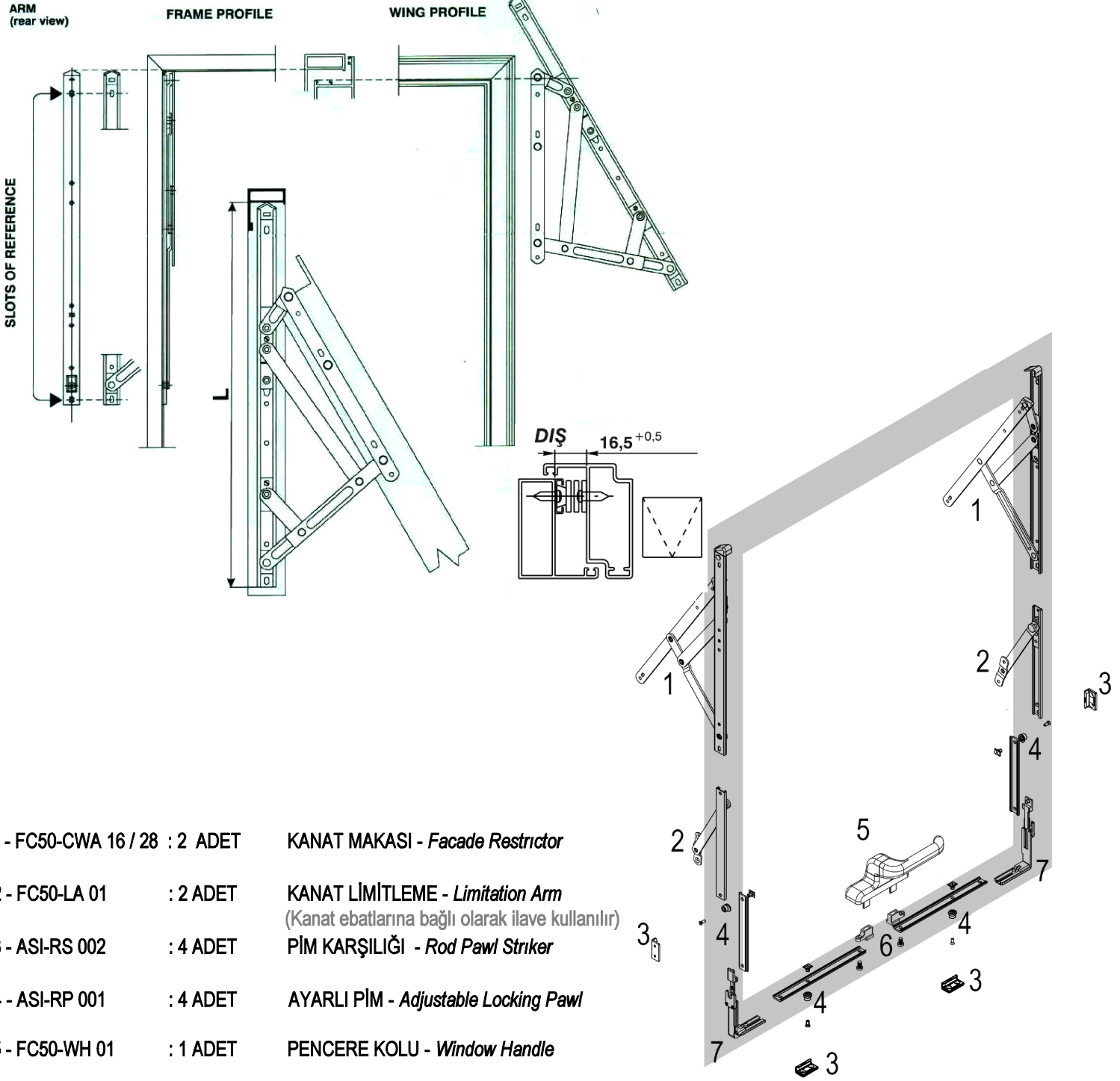
SU TAHLİYE - ÇÖRTEN MONTAJI WATER DRAINAGE ACCESSORIES



CEPHE DIŐA AÇILIR KANAT AKSESUARLARI
FACADE OUTER OPENING SASH ACCESSORIES

FC50 CEPHE DIŐA AÇILIR KANAT MAKAS SEÇİM TABLOSU / FACADE RESTRICTOR TABLE

YÜKSEKLİK - HEIGHT						
265-635mm	635-785mm	785-1090mm	1090-1500mm	1500-2000mm	2000-2500mm	L => 2H (en boydan geniş ise yani bant pencere)
FC50-CWA-16	FC50-CWA-18	FC50-CWA-20	FC50-CWA-22	FC50-CWA-24	FC50-CWA-26	FC50-CWA-28



- | | | |
|----------------------|-----------|--|
| 1 - FC50-CWA 16 / 28 | : 2 ADET | KANAT MAKASI - <i>Facade Restrictor</i> |
| 2 - FC50-LA 01 | : 2 ADET | KANAT LİMİTLEME - <i>Limitation Arm</i>
(Kanat ebatlarına bağılı olarak ilave kullanılır) |
| 3 - ASI-RS 002 | : 4 ADET | PİM KARŐILIĐI - <i>Rod Pawl Striker</i> |
| 4 - ASI-RP 001 | : 4 ADET | AYARLI PİM - <i>Adjustable Locking Pawl</i> |
| 5 - FC50-WH 01 | : 1 ADET | PENCERE KOLU - <i>Window Handle</i> |
| 6 - FC50-WH A01 | : 1 TAKIM | KOL İLETİŐİM PARÇASI - <i>Window Handle Connector</i> |
| 7 - FC50-CD 01 | : 2 ADET | KÖŐE İLETİŐİM PARÇASI - <i>Corner Drive</i> |