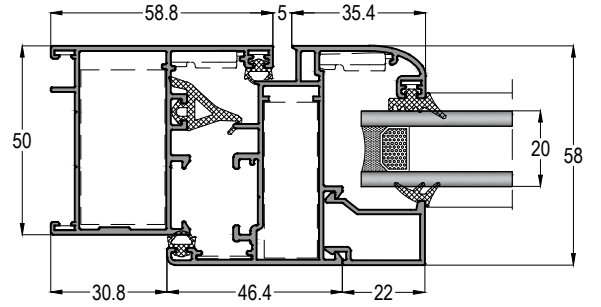
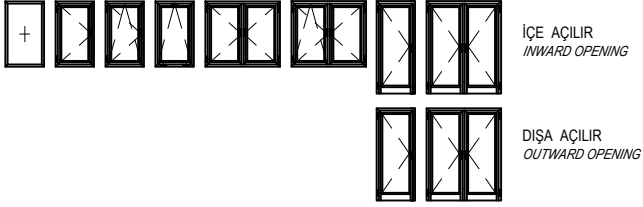


# AS50

**YALITIMSIZ KAPI-PENCERE SİSTEMİ**  
UNINSULATED WINDOW & DOOR SYSTEM



**KASA GENİŞLİĞİ** : 50 mm  
Frame Width

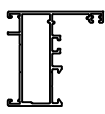
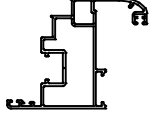
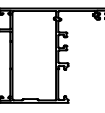
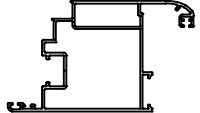
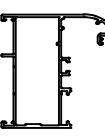
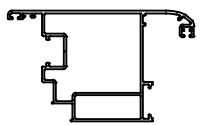
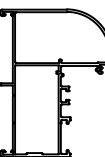
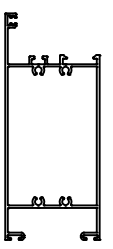
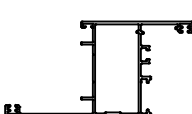
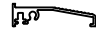
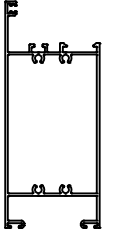
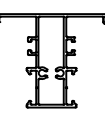
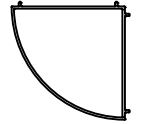
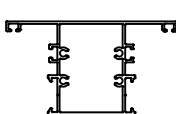
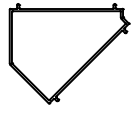
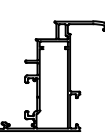

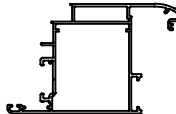
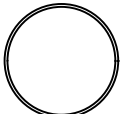
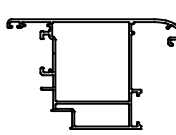
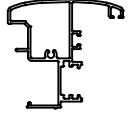
**KANAT DERİNLİĞİ** : 58 mm  
Sash Depth

**SİSTEM ET KALINLIĞI** : 1,4 mm  
System Wall Thickness

**CAM KALINLIĞI** : 4-34 mm  
Glass Thickness

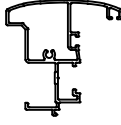

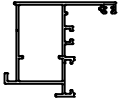

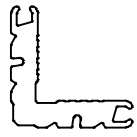

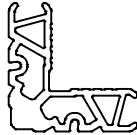

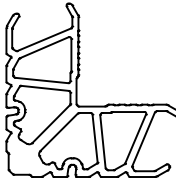










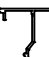


## PROFİL LİSTESİ - PROFILES LIST



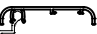



AS50 01	Jx cm <sup>4</sup> 9,81	Jy cm <sup>4</sup> 4,73		AS50 14	Jx cm <sup>4</sup> 17,78	Jy cm <sup>4</sup> 12,21	
DÜZ KASA PROFİLİ FLAT FRAME PROFILE	AĞIRLIK / Weight 0,776 kg/mt			KANAT PROFİLİ MULTI POINT SİSTEM SASH PROFILE-MULTI POINT	AĞIRLIK / Weight 1,085 kg/mt		
AS50 02	Jx cm <sup>4</sup> 11,33	Jy cm <sup>4</sup> 7,65		AS50 15	Jx cm <sup>4</sup> 23,93	Jy cm <sup>4</sup> 32,57	
DÜZ KASA PROFİLİ FLAT FRAME PROFILE	AĞIRLIK / Weight 0,840 kg/mt			İÇE AÇILIR KAPI KANAT PROFİLİ-MULTI POINT INNER OPENING DOOR SASH PROFILE-MULTI POINT	AĞIRLIK / Weight 1,346 kg/mt		
AS50 04	Jx cm <sup>4</sup> 17,03	Jy cm <sup>4</sup> 9,58		AS50 16	Jx cm <sup>4</sup> 22,16	Jy cm <sup>4</sup> 32,50	
KASA PROFİLİ FRAME PROFILE	AĞIRLIK / Weight 1,024 kg/mt			DIŞA AÇILIR KAPI KANAT PROFİLİ-MULTI POINT OUTWARD OPENING DOOR SASH PROFILE-MULTI POINT	AĞIRLIK / Weight 1,320 kg/mt		
AS50 05	Jx cm <sup>4</sup> 28,87	Jy cm <sup>4</sup> 13,00		AS50 31	Jx cm <sup>4</sup> 73,87	Jy cm <sup>4</sup> 22,42	
KASA PROFİLİ FRAME PROFILE	AĞIRLIK / Weight 1,177 kg/mt			ETEK PROFİLİ-130 mm BOTTOM PLATE PROFILE	AĞIRLIK / Weight 1,496 kg/mt		
AS50 07	Jx cm <sup>4</sup> 28,33	Jy cm <sup>4</sup> 8,18		12-34			
KASA PROFİLİ FRAME PROFILE	AĞIRLIK / Weight 1,030 kg/mt			EŞİK PROFİLİ BOTTOM RAIL PROFILE	AĞIRLIK / Weight 0,340 kg/mt		
AS50 21	Jx cm <sup>4</sup> 10,79	Jy cm <sup>4</sup> 7,67		AS50 51			
ORTA KAYIT PROFİLİ 70 mm TRANSOM-MULLION PROFILE	AĞIRLIK / Weight 0,973 kg/mt			90° KÖŞE PROFİLİ CORNER PROFILE			AĞIRLIK / Weight 0,710 kg/mt
AS50 22	Jx cm <sup>4</sup> 14,18	Jy cm <sup>4</sup> 20,59		AS50 52			
ORTA KAYIT PROFİLİ 90 mm TRANSOM-MULLION PROFILE	AĞIRLIK / Weight 1,198 kg/mt			135° KÖŞE PROFİLİ CORNER PROFILE			AĞIRLIK / Weight 0,624 kg/mt
AS50 11	Jx cm <sup>4</sup> 16,06	Jy cm <sup>4</sup> 9,23		AS50 54			
KANAT PROFİLİ-35 mm SASH PROFILE	AĞIRLIK / Weight 0,989 kg/mt			EKSENEL DÖNÜŞ ADAPTÖR PROFİLİ CORNER PROFILE ADAPTER			AĞIRLIK / Weight 0,432 kg/mt
AS50 12	Jx cm <sup>4</sup> 22,51	Jy cm <sup>4</sup> 26,46		01-000600-15			
İÇE AÇILIR KAPI KANAT PROFİLİ 60mm INNER OPENING DOOR SASH PROFILE	AĞIRLIK / Weight 1,252 kg/mt			BORU PROFİLİ TUBE PROFILE			AĞIRLIK / Weight 0,745 kg/mt
AS50 13	Jx cm <sup>4</sup> 21,09	Jy cm <sup>4</sup> 26,09		AS50 41			
DIŞA AÇILIR KAPI KANAT PROFİLİ OUTWARD OPENING DOOR SASH PROFILE	AĞIRLIK / Weight 1,261 kg/mt			ÇİFT KANAT ADAPTÖR PROFİLİ DOUBLE SASH ADAPTER PROFILE			AĞIRLIK / Weight 0,932 kg/mt

Profil ağırlıklarımız teorik olup; teslim anındaki tartımız geçerlidir.

Profile weights are theoretical and the weight at the time of delivery is valid.

AS50 42			11-106		
ÇİFT KANAT ADAPTÖR PROFİLİ-MULTI POINT DOUBLE SASH ADAPTER PROFILE-MULTI POINT	AĞIRLIK / Weight 0,923 kg/mt		CAM ÇİTASI-6 mm GLAZING BEAD PROFILE	AĞIRLIK / Weight 0,198 kg/mt	
AS50 43			11-010		
DIŞA AÇILIR KAPI ADAPTÖR PROFİLİ OUTWARD OPENING DOOR ADAPTER PROFILE	AĞIRLIK / Weight 0,791 kg/mt		CAM ÇİTASI-10 mm GLAZING BEAD PROFILE	AĞIRLIK / Weight 0,233 kg/mt	
10-010140-00			11-015		
KÖŞE TAKOZU-14,2 mm CORNER JOINT	AĞIRLIK / Weight 3,583 kg/mt		CAM ÇİTASI-15 mm GLAZING BEAD PROFILE	AĞIRLIK / Weight 0,244 kg/mt	
10-010225-00			11-017		
KÖŞE TAKOZU-22,5 mm CORNER JOINT	AĞIRLIK / Weight 3,566 kg/mt		CAM ÇİTASI-17 mm GLAZING BEAD PROFILE	AĞIRLIK / Weight 0,250 kg/mt	
10-010382-00			11-020		
KÖŞE TAKOZU-38,2 mm CORNER JOINT	AĞIRLIK / Weight 5,235 kg/mt		CAM ÇİTASI-20 mm GLAZING BEAD PROFILE	AĞIRLIK / Weight 0,276 kg/mt	
12-91			11-022		
DİK BAĞLANTI T JOINT	AĞIRLIK / Weight 0,794 kg/mt		CAM ÇİTASI-22 mm GLAZING BEAD PROFILE	AĞIRLIK / Weight 0,282 kg/mt	
04-025025-12			11-026		
KASA T 'Sİ - 30 mm FRAME BORDER	AĞIRLIK / Weight 0,159 kg/mt		CAM ÇİTASI-26 mm GLAZING BEAD PROFILE	AĞIRLIK / Weight 0,296 kg/mt	
12-54			11-028		
PERVAZ PROFİLİ BORDER PROFILE	AĞIRLIK / Weight 0,326 kg/mt		CAM ÇİTASI-28 mm GLAZING BEAD PROFILE	AĞIRLIK / Weight 0,302 kg/mt	
12-57			11-030		
PERVAZ PROFİLİ BORDER PROFILE	AĞIRLIK / Weight 0,358 kg/mt		CAM ÇİTASI-30 mm GLAZING BEAD PROFILE	AĞIRLIK / Weight 0,308 kg/mt	
11-004			11-032		
CAM ÇİTASI-4 mm GLAZING BEAD PROFILE	AĞIRLIK / Weight 0,181 kg/mt		CAM ÇİTASI-32 mm GLAZING BEAD PROFILE	AĞIRLIK / Weight 0,315 kg/mt	

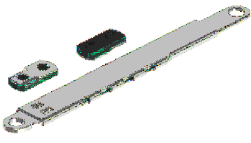
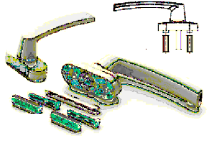
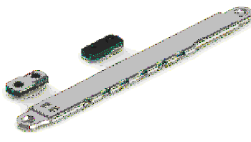



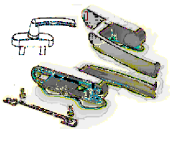


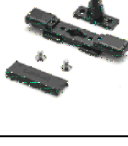
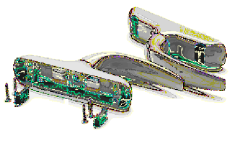

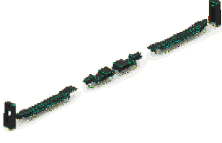


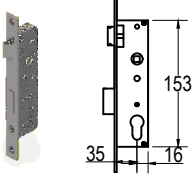



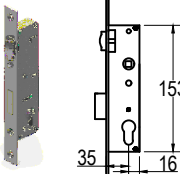
## PROFİL LİSTESİ - PROFILES LIST

12-01				
DAMLALIK PROFİLİ <i>RAINDROP PROFILE</i>	AĞIRLIK / Weight			
	0,198 kg/mt			
12-02				
DAMLALIK PROFİLİ <i>RAINDROP PROFILE</i>	AĞIRLIK / Weight			
	0,136 kg/mt			
12-03				
DAMLALIK PROFİLİ <i>RAINDROP PROFILE</i>	AĞIRLIK / Weight			
	0,313 kg/mt			
12-52				
PERVAZ PROFİLİ <i>BORDER PROFILE</i>	AĞIRLIK / Weight			
	0,279 kg/mt			
12-53				
PERVAZ MONTAJ PROFİLİ <i>BORDER FIXING PROFILE</i>	AĞIRLIK / Weight			
	0,177 kg/mt			
12-54				
PERVAZ PROFİLİ <i>BORDER PROFILE</i>	AĞIRLIK / Weight			
	0,326 kg/mt			
12-57				
PERVAZ PROFİLİ <i>BORDER PROFILE</i>	AĞIRLIK / Weight			
	0,358 kg/mt			
12-41				
TİJ PROFİLİ <i>SASH PROFILE</i>	AĞIRLIK / Weight			
	0,118 kg/mt			


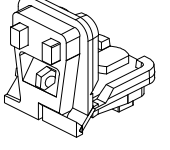
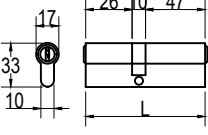
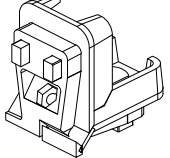

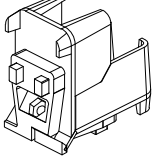
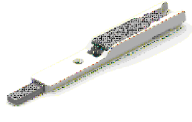
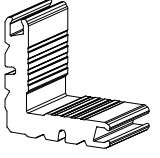
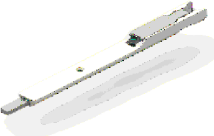
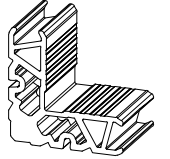

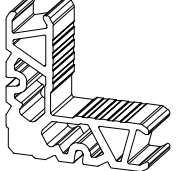
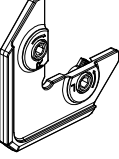
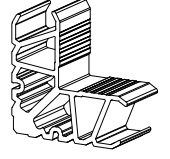

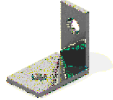

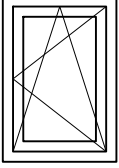
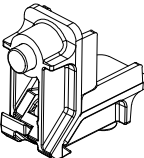
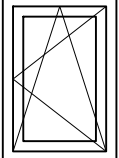


## AKSESUAR LİSTESİ - ACCESSORIES LIST

EP1-01			ASI-WDC 01		
DİŞ CAM FİTİLİ - 3,5 mm <i>OUTER GLAZING GASKET</i>	KOLİ MİKTARI/Package 240 mt / 15 kg		YAĞMUR TAHLİYE KAPAĞI <i>WATER REJECT COVER</i>	KOLİ MİKTARI/Package Adet / Piece	
EP2-01			ASI-WDC 02		
İÇ CAM FİTİLİ - 3 mm <i>INNER GLAZING GASKET</i>	KOLİ MİKTARI/Package 440 mt / 15 kg		KLAPELİ YAĞMUR TAHLİYE KAPAĞI <i>WATER REJECT COVER</i>	KOLİ MİKTARI/Package Adet / Piece	
EP2-02			AS50 HOK		
İÇ CAM FİTİLİ - 4 mm <i>INNER GLAZING GASKET</i>	KOLİ MİKTARI/Package 300 mt / 15 kg		ADAPTÖR KAPAĞI <i>ADAPTER COVER</i>	KOLİ MİKTARI/Package alt-üst takım / set	
EP2-03			ASI-H 9730		
İÇ CAM FİTİLİ - 5 mm <i>INNER GLAZING GASKET</i>	KOLİ MİKTARI/Package 250 mt / 15 kg		SİSTEM İKİLİ MENTEŞE <i>DOUBLE SYSTEM HINGE</i>	KOLİ MİKTARI/Package 250 Adet / Piece	
EP3-01			ASI-H 9733		
KANAT BİNİ FİTİLİ <i>SASH GASKET</i>	KOLİ MİKTARI/Package 430 mt / 15 kg		SİSTEM ÜÇLÜ MENTEŞE <i>TRIPLE SYSTEM HINGE</i>	KOLİ MİKTARI/Package 250 Adet / Piece	
EP3-03			ASI-H 3300		
KASA BİNİ FİTİLİ <i>FRAME GASKET</i>	KOLİ MİKTARI/Package Adet / Piece		SİSTEM KAPI MENTEŞESİ <i>SYSTEM DOOR HINGE</i>	KOLİ MİKTARI/Package Adet / Piece	
EP4-13K			ASI-V 820		
VULKANİZE FİTİLİ <i>GASKET FOR CORNER</i>	KOLİ MİKTARI/Package Adet / Piece		VASİSTAS AÇILIM KOLU <i>TRANSOM OPENING HANDLE</i>	KOLİ MİKTARI/Package 30 Adet / Piece	
EP4-15			ASI-V 816		
ORTA BİNİ FİTİLİ <i>GASKET FOR OPEN JOINT</i>	KOLİ MİKTARI/Package 100 mt / 15 kg		VASİSTAS AÇILIM KOLU <i>TRANSOM OPENING HANDLE</i>	KOLİ MİKTARI/Package 50 Adet / Piece	
KF 67-1000			ASI-V 1000		
FİRÇA FİTİL <i>BRUSH GASKET</i>	KOLİ MİKTARI/Package 600 mt		VASİSTAS MAKAS (PVC) <i>TRANSOM RESTRICTOR</i>	KOLİ MİKTARI/Package 120 Adet / Piece	
ASI-F 100A			ASI-V 1080		
KAPI ALTI FİRÇASI <i>DOOR BRUSH GASKET</i>	KOLİ MİKTARI/Package Adet / Piece		VASİSTAS MAKAS <i>TRANSOM RESTRICTOR</i>	KOLİ MİKTARI/Package 60 Adet / Piece	

<b>ASI-V 1275-3</b>			<b>ASI-WH 001B</b>		
VASİSTAS 3 KADEMELİ ÇELİK MAKAS <i>TRANSOM RESTRICTOR WITH 3 POSITIONS</i>	KOLİ MİKTARI/Package 10 Adet / Piece		KARE MİLLİ PENCERE KOLU - İKİLİ TAKIM <i>WINDOW HANDLE WITH LOCK</i>	KOLİ MİKTARI/Package Takım / Set	
<b>ASI-V 1275-5</b>			<b>ASI-DH 002</b>		
VASİSTAS 5 KADEMELİ ÇELİK MAKAS <i>TRANSOM RESTRICTOR WITH 5 POSITIONS</i>	KOLİ MİKTARI/Package 10 Adet / Piece		KAPI KOLU <i>DOOR HANDLE</i>	KOLİ MİKTARI/Package Adet / Piece	
<b>ASI-WH 003</b>			<b>ASI-KA M108</b>		
TEK DİLLİ EKSENEL KOL <i>WINDOW HANDLE</i>	KOLİ MİKTARI/Package Adet / Piece		EKSENEL KOL KİLİTLEME MEKANİZMASI <i>LOCKING FOR WINDOW</i>	KOLİ MİKTARI/Package Adet / Piece	
<b>ASI-WH 004</b>			<b>ASI-WH005-58</b>		
ÇİFT DİLLİ EKSENEL KOL <i>WINDOW HANDLE</i>	KOLİ MİKTARI/Package Adet / Piece		DIŞA AÇILIR PENCERE KOL DİLİ - 58mm <i>HANDLE FORK FOR OUTWARD OPENING - 58mm</i>	KOLİ MİKTARI/Package Adet / Piece	
<b>ASI-WH 004A</b>			<b>ASI-WH 005K</b>		
ÇİFT DİLLİ EKSENEL KOL - ANAHTARLI <i>WINDOW HANDLE WITH LOCK</i>	KOLİ MİKTARI/Package Adet / Piece		DIŞA AÇILIR PENCERE KOL BAĞLANTI-19mm <i>HANDLE CONNECTOR FOR OUTWARD OPENING-19mm</i>	KOLİ MİKTARI/Package Adet / Piece	
<b>ASI-WH 005</b>			<b>ASI-RP 001</b>		
DIŞA AÇILIR PENCERE KANAT KOLU <i>WINDOW HANDLE FOR OUTWARD OPENING</i>	KOLİ MİKTARI/Package Adet / Piece		TİJ PİMİ <i>ROD PROFILE LOCKING</i>	KOLİ MİKTARI/Package Adet / Piece	
<b>ASI-KA P200</b>			<b>ASI-RS 001</b>		
EKSENEL KOL KİLİTLEME MEKANİZMASI <i>LOCKING FOR WINDOW</i>	KOLİ MİKTARI/Package Adet / Piece		PİM KARŞILIĞI <i>ROD PROFILE STRIKES</i>	KOLİ MİKTARI/Package 120 Adet / Piece	
<b>ASI-KA VNT</b>			<b>ASI-153 35</b>		
KANAT SABİTLEME <i>SASH FIXING</i>	KOLİ MİKTARI/Package Adet / Piece		DİLLİ KİLİT <i>MORTISE LOCK WITH CYLINDER</i>	KOLİ MİKTARI/Package Adet / Piece	
<b>ASI-WH 001</b>			<b>ASI-LS 90185D</b>		
KARE MİLLİ PENCERE KOLU <i>WINDOW HANDLE</i>	KOLİ MİKTARI/Package Adet / Piece		DİLLİ KİLİT KARŞILIĞI <i>LOCK STRIKES</i>	KOLİ MİKTARI/Package Adet / Piece	
<b>ASI-WH 001A</b>			<b>ASI-155 35</b>		
KARE MİLLİ PENCERE KOLU-ANAHTARLI <i>WINDOW HANDLE WITH LOCK</i>	KOLİ MİKTARI/Package Adet / Piece		MAKARALI KİLİT <i>MORTISE LOCK WITH ROLLER</i>	KOLİ MİKTARI/Package Adet / Piece	

## AKSESUAR LİSTESİ - ACCESSORIES LIST

<b>ASI-LS 90185M</b>			<b>ASI-PB 4201</b>		
MAKARALI KİLİT KARŞILIĞI <i>ROLLER LOCK STRIKES</i>	KOLİ MİKTARI/Package Adet / Piece		PİMLİ KÖŞE BAĞLANTI <i>CORNER JOINT</i>	KOLİ MİKTARI/Package 200 Adet / Piece	
<b>ASI-BRL 83</b>			<b>ASI-PB 4205</b>		
83 LİK BAREL <i>CYLINDER 83</i>	KOLİ MİKTARI/Package Adet / Piece		PİMLİ KÖŞE BAĞLANTI <i>CORNER JOINT</i>	KOLİ MİKTARI/Package 150 Adet / Piece	
<b>ASI-225</b>			<b>ASI-PB 3842</b>		
BAREL AYNASI (Beyaz,Siyah,Gri) <i>DOOR HANDLE CYLINDER (White,Black,Grey)</i>	KOLİ MİKTARI/Package Adet / Piece		PİMLİ KÖŞE BAĞLANTI <i>CORNER JOINT</i>	KOLİ MİKTARI/Package 150 Adet / Piece	
<b>ASI-B 2217</b>			<b>ASI-KT 4201</b>		
SÜRGÜ KİLİTLEME-KISA <i>SASH FIXING LOCK-SHORT</i>	KOLİ MİKTARI/Package 240 Adet / Piece		KÖŞE TAKOZU <i>CORNER JOINT</i>	KOLİ MİKTARI/Package Adet / Piece	
<b>ASI-B 2215</b>			<b>ASI-KT 2342</b>		
SÜRGÜ KİLİTLEME-UZUN <i>SASH FIXING LOCK-LONG</i>	KOLİ MİKTARI/Package 120 Adet / Piece		KÖŞE TAKOZU <i>CORNER JOINT</i>	KOLİ MİKTARI/Package Adet / Piece	
<b>ASI-DH 60Y</b>			<b>ASI-KT 2660</b>		
ÇEKME KAPI KOLU <i>DOOR HANDLE</i>	KOLİ MİKTARI/Package Adet / Piece		KÖŞE TAKOZU <i>CORNER JOINT</i>	KOLİ MİKTARI/Package Adet / Piece	
<b>ASI-FUJI 2000</b>			<b>ASI-KT 3842</b>		
AYARLI KÖŞE GÖNYESİ <i>CORNER ALIGNMENT</i>	KOLİ MİKTARI/Package Adet / Piece		KÖŞE TAKOZU <i>CORNER JOINT</i>	KOLİ MİKTARI/Package Adet / Piece	
<b>ASI-SB 19</b>			<b>ASI-P 100.1</b>		
KÖŞE GÖNYESİ <i>CORNER ALIGNMENT</i>	KOLİ MİKTARI/Package 1000 Adet / Piece		ORTA KAYIT BAĞLANTI <i>T JOINT FIXING</i>	KOLİ MİKTARI/Package 250 Adet / Piece	
<b>ASI-SB 19.1</b>			<b>ASI-ALU TT</b>		
KÖŞE GÖNYESİ <i>CORNER ALIGNMENT</i>	KOLİ MİKTARI/Package 1000 Adet / Piece		ÇİFT EKSEN AÇILIM MEKANİZMASI <i>TILT&amp;TURN OPENING</i>	KOLİ MİKTARI/Package Takım / Set	
<b>ASI-PB 2660</b>			<b>ASI-PVC TT</b>		
PİMLİ KÖŞE BAĞLANTI <i>CORNER JOINT</i>	KOLİ MİKTARI/Package 200 Adet / Piece		ÇİFT EKSEN AÇILIM MEKANİZMASI <i>TILT&amp;TURN OPENING</i>	KOLİ MİKTARI/Package Takım / Set	



**AS50 - 1,4mm**

YALITIMSIZ KAPI-PENCERE SİSTEMİ  
UNINSULATED WINDOW & DOOR SYSTEM

**ASISTAL**

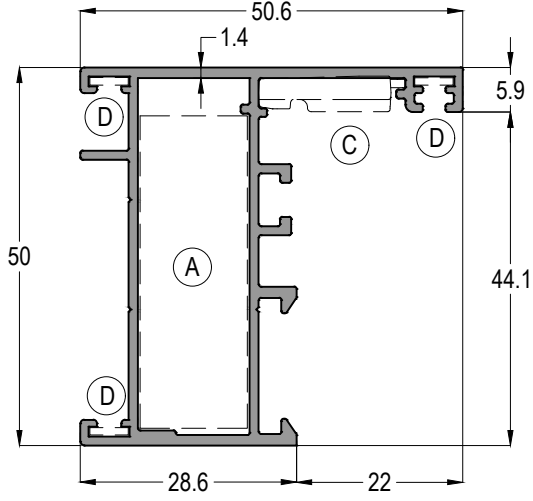
**PROFİL DETAYLARI**

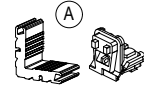


*PROFILE DETAILS*

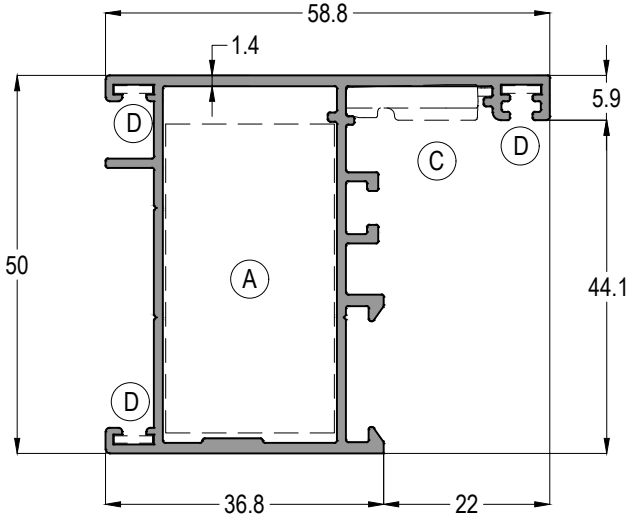
# AS50 - 1,4mm

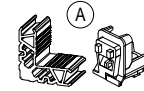


YALITIMSIZ KAPI-PENCERE SİSTEMİ  
UNINSULATED WINDOW & DOOR SYSTEM

## ASISTAL



AS50 01		Jx cm <sup>4</sup>	Jy cm <sup>4</sup>
		9,81	4,73
 ASI-KT 4201-ASI-PB 4201	 ASI-FUJI 2000	 ASI-SB 19	AĞIRLIK / Weight
0,776 kg/mt			

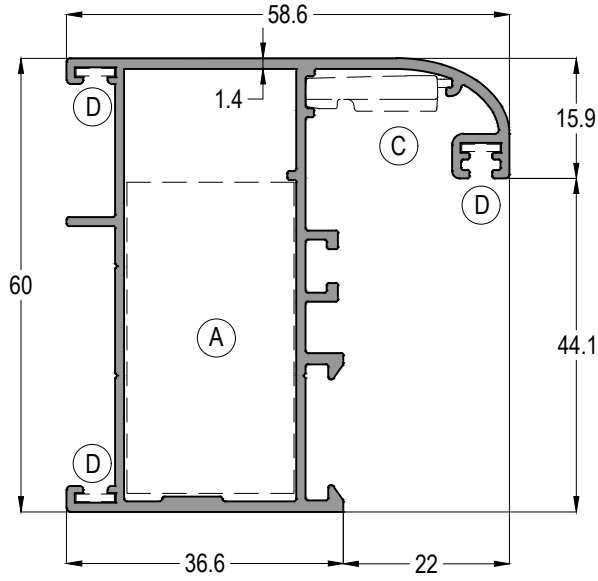


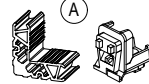

AS50 02		Jx cm <sup>4</sup>	Jy cm <sup>4</sup>
		11,33	7,65
 ASI-KT 2342-ASI-PB 4205	 ASI-FUJI 2000	 ASI-SB 19	AĞIRLIK / Weight
0,840 kg/mt			

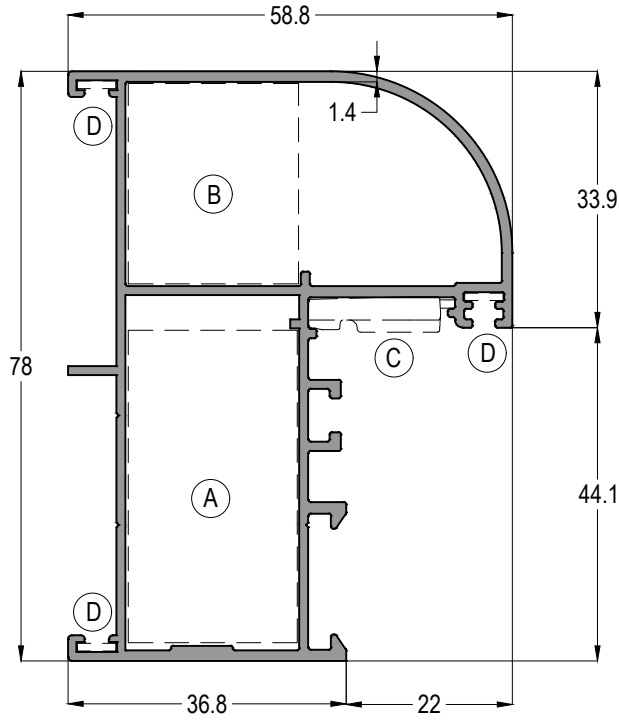
# AS50 - 1,4mm

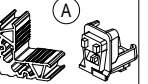
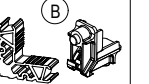
YALITIMSIZ KAPI-PENCERE SİSTEMİ  
UNINSULATED WINDOW & DOOR SYSTEM

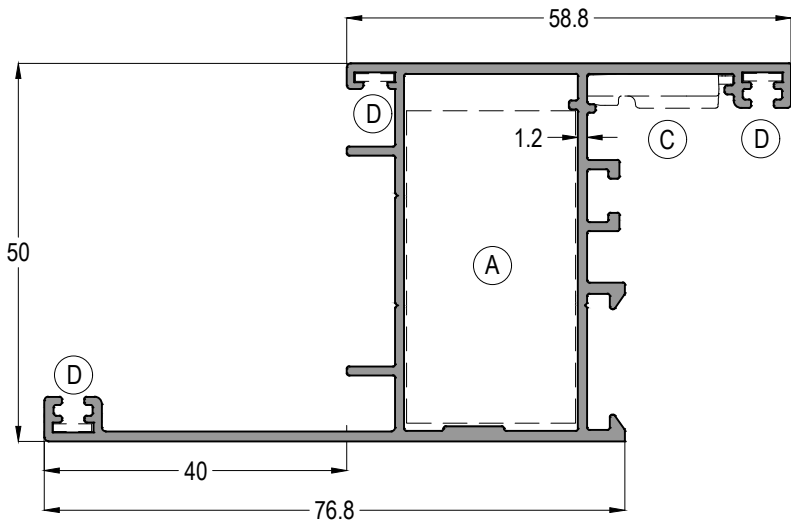
## ASISTAL





AS50 04		Jx cm <sup>4</sup>	Jy cm <sup>4</sup>
		17,03	9,58
		AĞIRLIK / Weight	
		1,024 kg/mt	



AS50 05		Jx cm <sup>4</sup>	Jy cm <sup>4</sup>
		28,87	13,00
		AĞIRLIK / Weight	
		1,177 kg/mt	



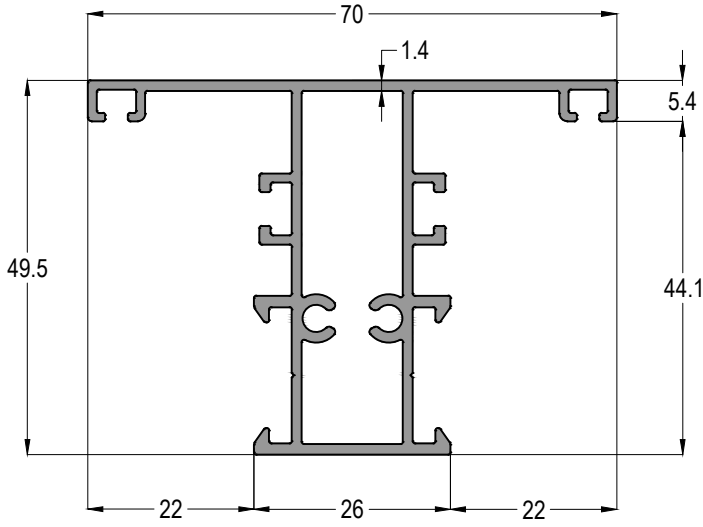
AS50 07		Jx cm <sup>4</sup>	Jy cm <sup>4</sup>
		28,33	8,18
		AĞIRLIK / Weight	
		1,030 kg/mt	

Profil ağırlıklarımız teorik olup; teslim anındaki tartımız geçerlidir.  
Profile weights are theoretical and the weight at the time of delivery is valid.

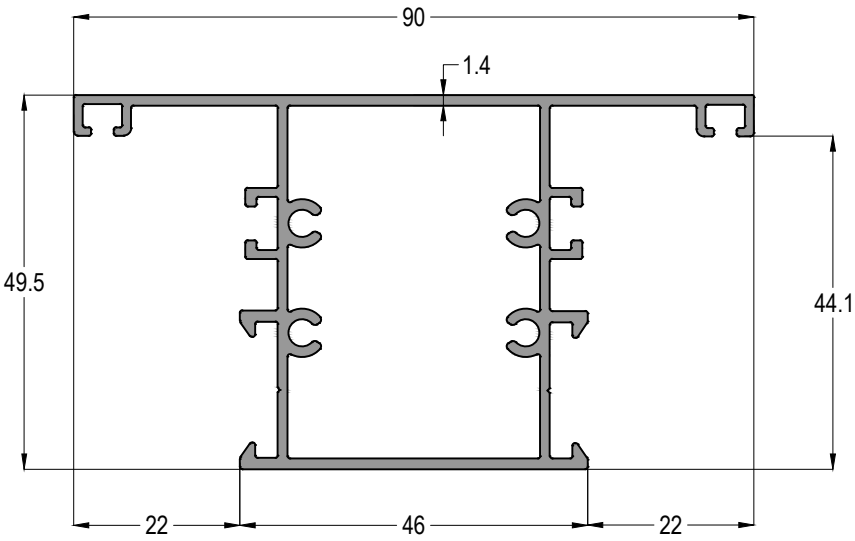
# AS50 - 1,4mm

YALITIMSIZ KAPI-PENCERE SİSTEMİ  
UNINSULATED WINDOW & DOOR SYSTEM

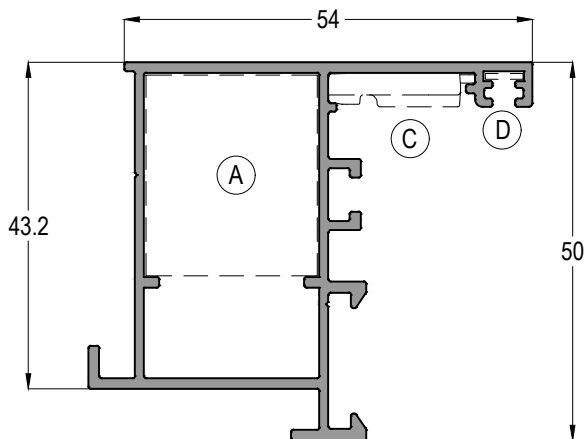
## ASISTAL

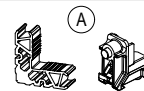

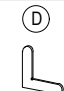


AS50 21	Jx cm <sup>4</sup>	Jy cm <sup>4</sup>
	10,79	7,67
AĞIRLIK / Weight		
0,973 kg/mt		



AS50 22	Jx cm <sup>4</sup>	Jy cm <sup>4</sup>
	14,18	20,59
AĞIRLIK / Weight		
1,198 kg/mt		



AS50 43	Jx cm <sup>4</sup>	Jy cm <sup>4</sup>
	9,81	4,73
AĞIRLIK / Weight		
0,791 kg/mt		
		
ASI-KT 2660-ASI-PB 2660	ASI-FUJII 2000	ASI-SB 19

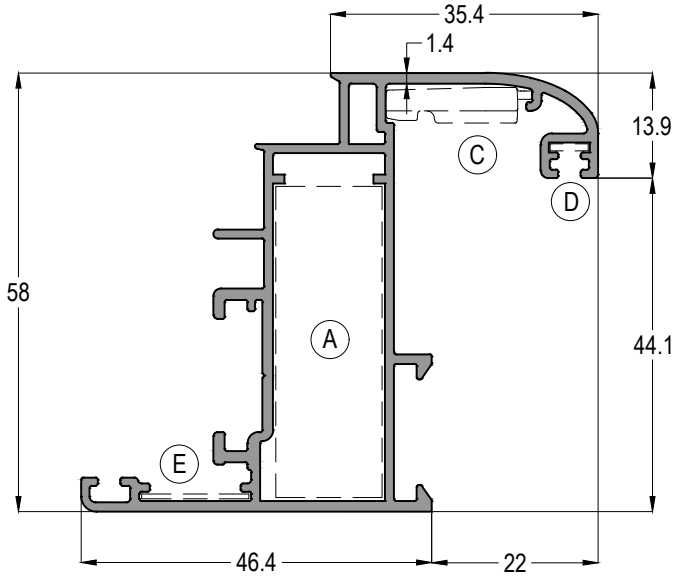
Profil ağırlıklarımız teorik olup; teslim anındaki tartımız geçerlidir.  
Profile weights are theoretical and the weight at the time of delivery is valid.

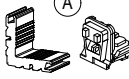

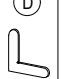
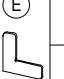


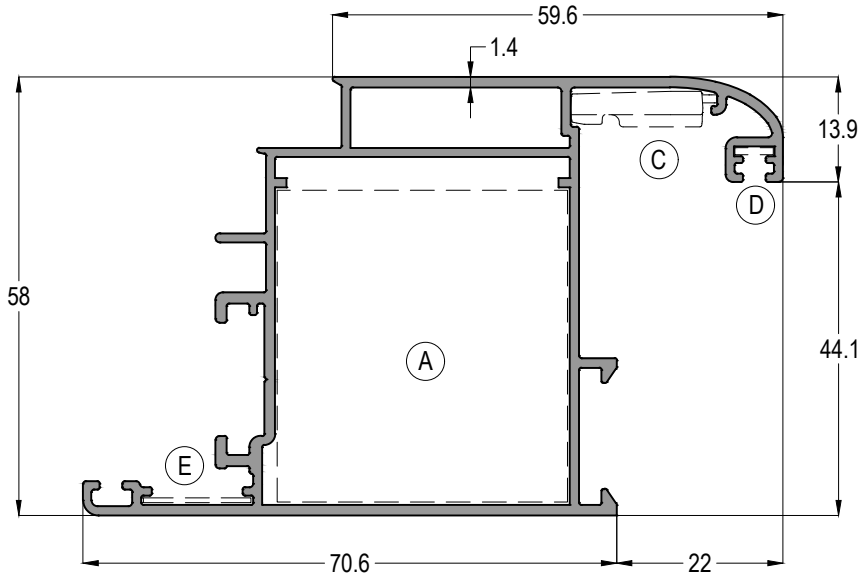
# AS50 - 1,4mm



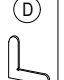
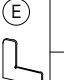
YALITIMSIZ KAPI-PENCERE SİSTEMİ  
UNINSULATED WINDOW & DOOR SYSTEM

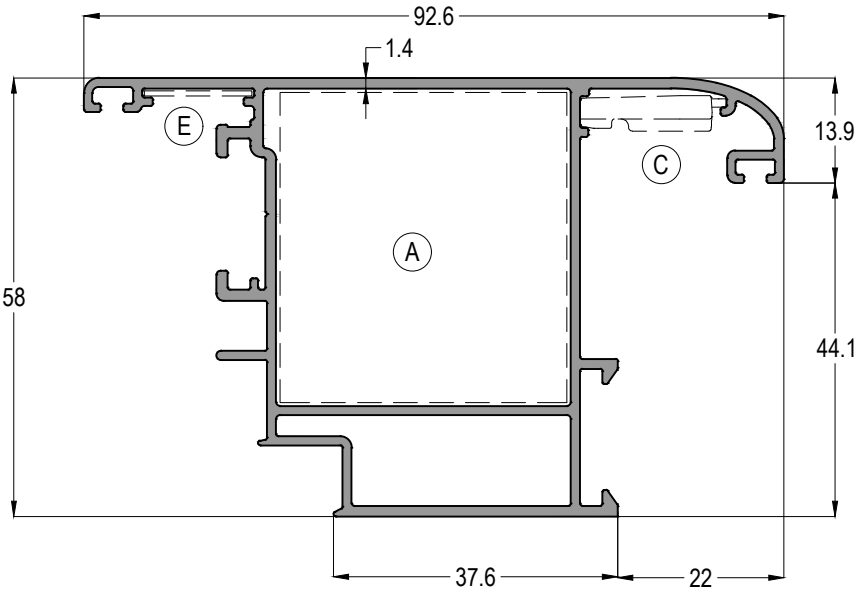
## ASISTAL



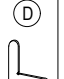
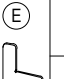


AS50 11				Jx cm <sup>4</sup>	Jy cm <sup>4</sup>
				16,06	9,23
				AĞIRLIK / Weight	
ASI-KT 4201-ASI-PB 4201	ASI-FUJJI 2000	ASI-SB 19	ASI-SB 19.1	0,989 kg/mt	



AS50 12				Jx cm <sup>4</sup>	Jy cm <sup>4</sup>
				22,51	26,46
				AĞIRLIK / Weight	
ASI-KT 3842-ASI-PB 3842	ASI-FUJJI 2000	ASI-SB 19	ASI-SB 19.1	1,252 kg/mt	



AS50 13				Jx cm <sup>4</sup>	Jy cm <sup>4</sup>
				21,09	26,09
				AĞIRLIK / Weight	
ASI-KT 3842-ASI-PB 3842	ASI-FUJJI 2000	ASI-SB 19	ASI-SB 19.1	1,261 kg/mt	

Profil ağırlıklarımız teorik olup; teslim anındaki tartımız geçerlidir.  
Profile weights are theoretical and the weight at the time of delivery is valid.

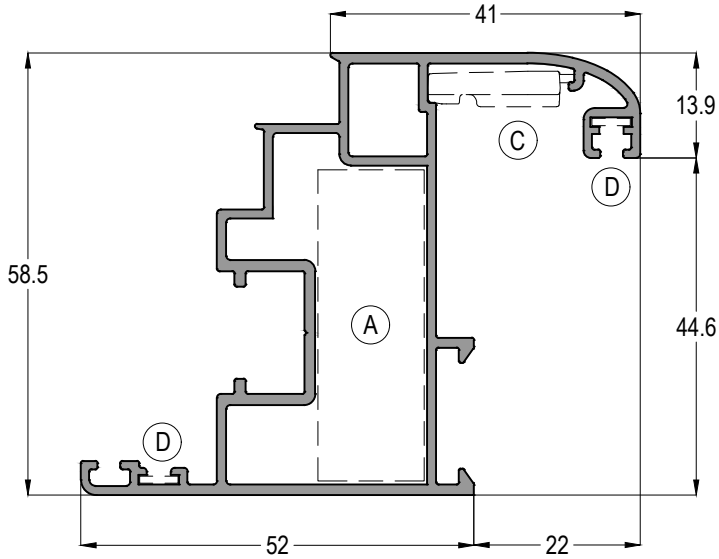
# AS50 - 1,4mm

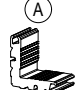
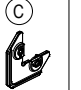
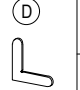
YALITIMSIZ KAPI-PENCERE SİSTEMİ  
UNINSULATED WINDOW & DOOR SYSTEM

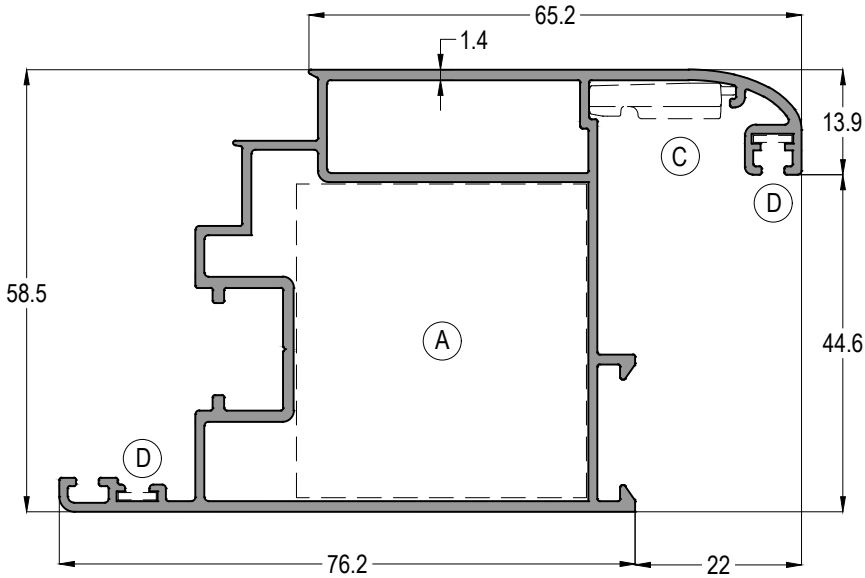
## ASISTAL



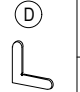
### ÇOK NOKTADAN KİLİTLEME KANAT PROFİLLERİ

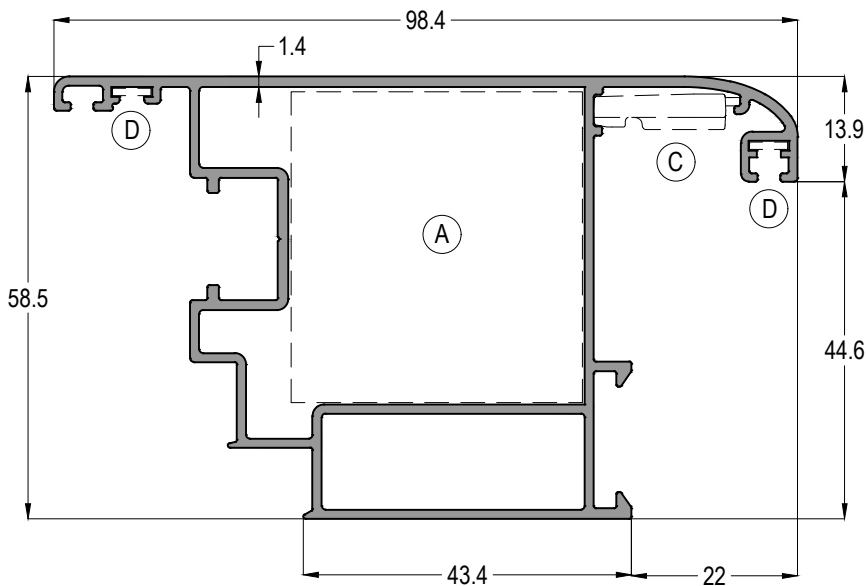
MULTI POINT LOCK SASH PROFILES



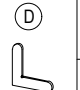


AS50 14			Jx cm <sup>4</sup>	Jy cm <sup>4</sup>
			17,78	12,21
			AĞIRLIK / Weight	
			1,085 kg/mt	



AS50 15			Jx cm <sup>4</sup>	Jy cm <sup>4</sup>
			23,93	32,57
			AĞIRLIK / Weight	
			1,346 kg/mt	



AS50 16			Jx cm <sup>4</sup>	Jy cm <sup>4</sup>
			22,16	32,50
			AĞIRLIK / Weight	
			1,320 kg/mt	

Profil ağırlıklarımız teorik olup; teslim anındaki tartımız geçerlidir.  
Profile weights are theoretical and the weight at the time of delivery is valid.

# AS50 - 1,4mm

YALITIMSIZ KAPI-PENCERE SİSTEMİ  
UNINSULATED WINDOW & DOOR SYSTEM

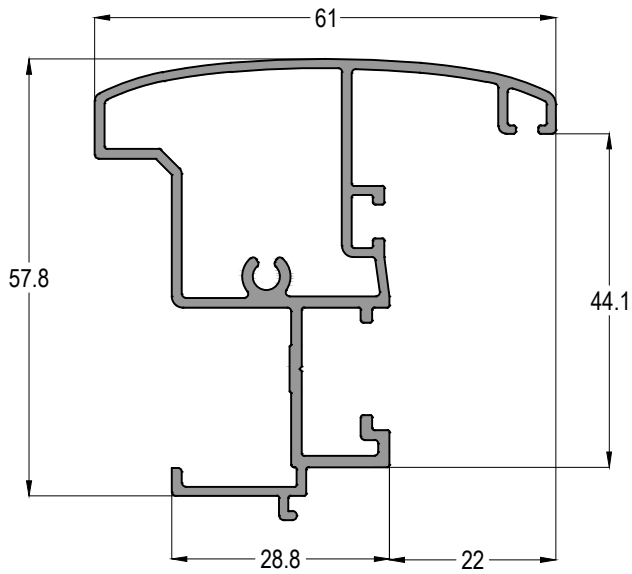
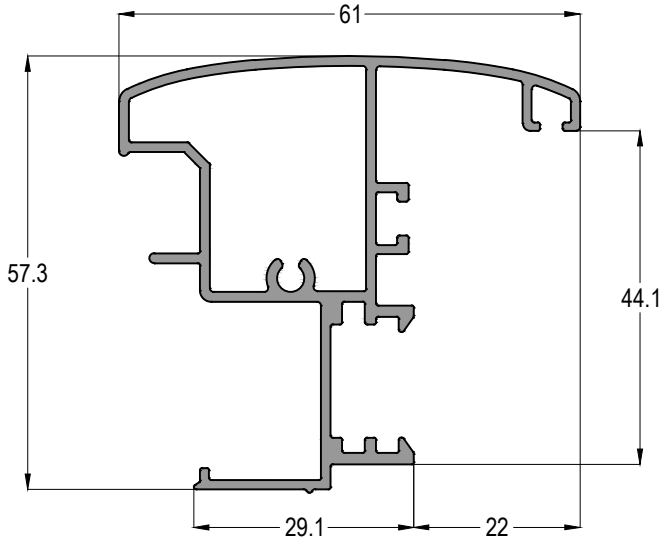
## ASISTAL

### AS50 41



AĞIRLIK / Weight

0,932 kg/mt



### AS50 42



AĞIRLIK / Weight

0,923 kg/mt

### AS50 31

Jx cm<sup>4</sup>

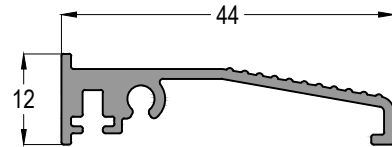
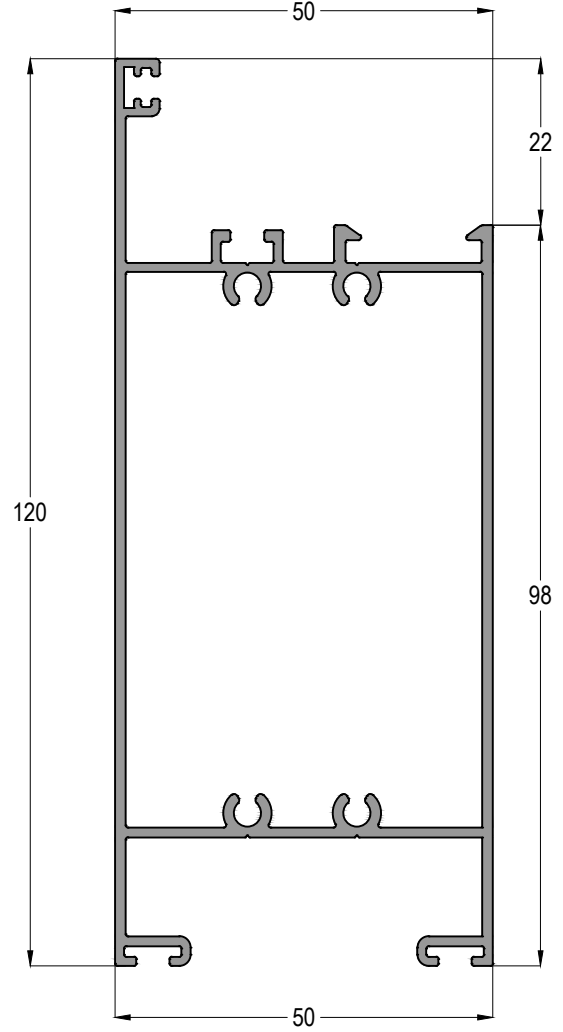
73,87

Jy cm<sup>4</sup>

22,42

AĞIRLIK / Weight

1,496 kg/mt



### 12-34

AĞIRLIK / Weight

0,340 kg/mt

Profil ağırlıklarımız teorik olup; teslim anındaki tartımız geçerlidir.  
Profile weights are theoretical and the weight at the time of delivery is valid.

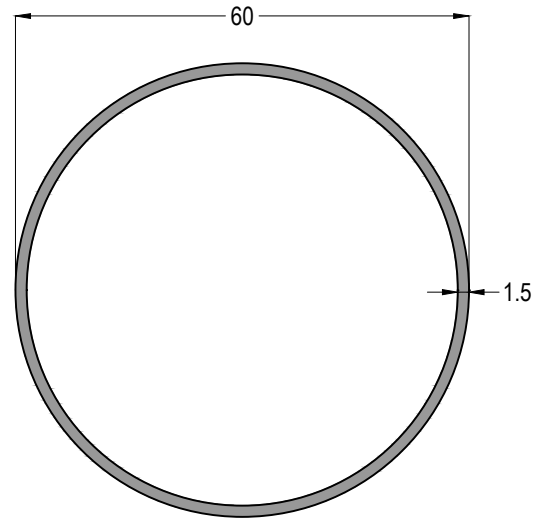
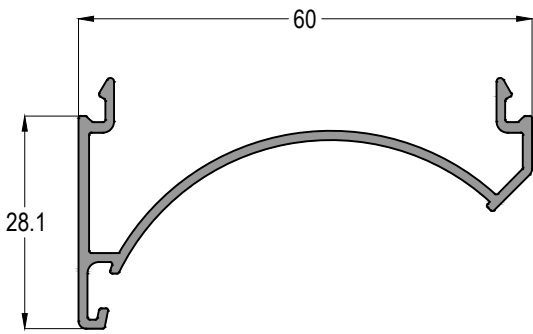
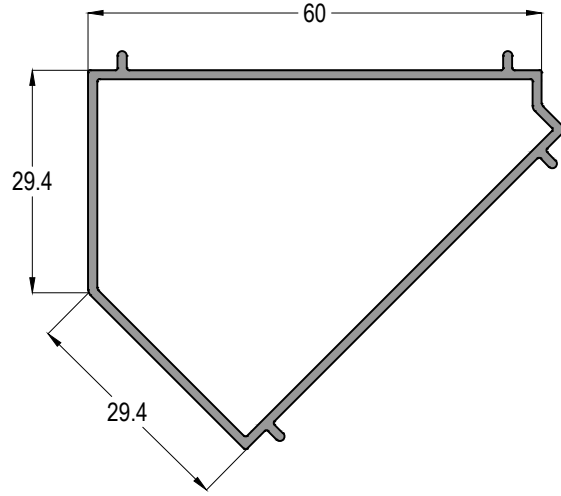
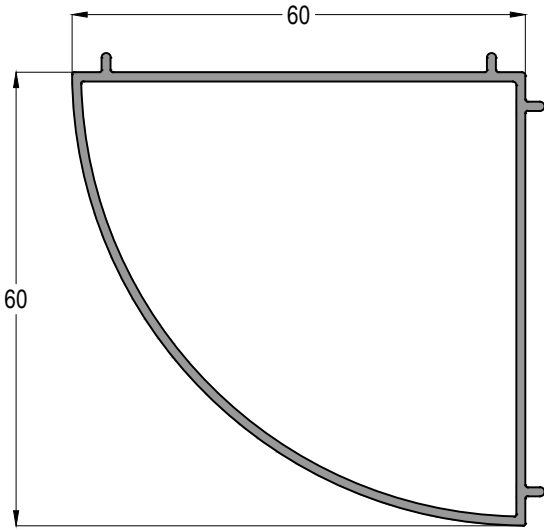
# AS50 - 1,4mm

YALITIMSIZ KAPI-PENCERE SİSTEMİ  
UNINSULATED WINDOW & DOOR SYSTEM

## ASISTAL

AS50 51	
	AĞIRLIK / Weight
	0,710 kg/mt

AS50 52	
	AĞIRLIK / Weight
	0,624 kg/mt



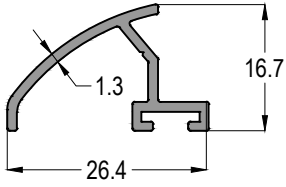
AS50 54	
	AĞIRLIK / Weight
	0,432 kg/mt

01-000600-15	
	AĞIRLIK / Weight
	0,745 kg/mt

# AS50 - 1,4mm

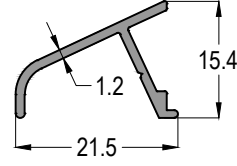
YALITIMSIZ KAPI-PENCERE SİSTEMİ  
UNINSULATED WINDOW & DOOR SYSTEM

## ASISTAL



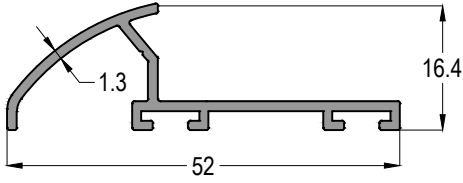
12-01

0,198 kg/mt



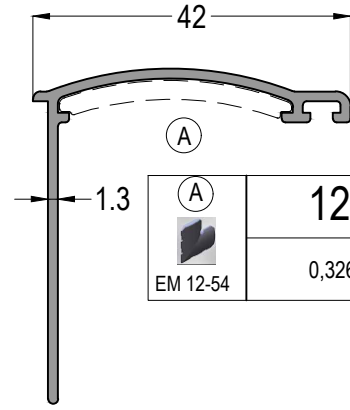
12-02

0,136 kg/mt



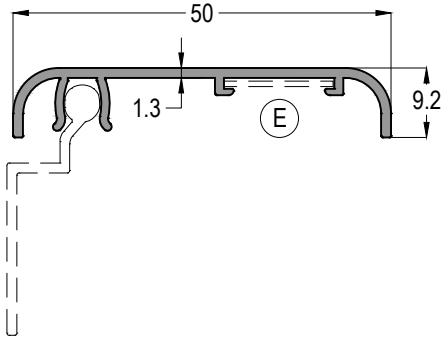
12-03

0,313 kg/mt



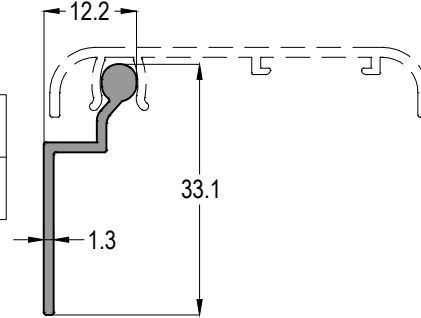
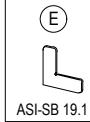
12-54

0,326 kg/mt



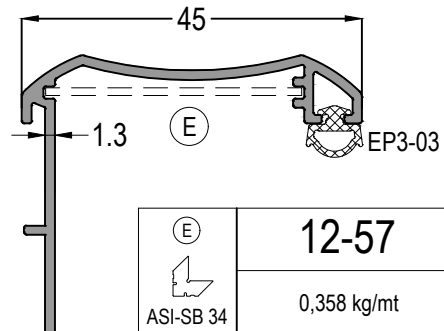
12-52

0,279 kg/mt



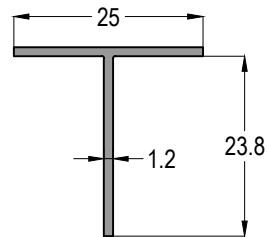
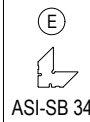
12-53

0,177 kg/mt



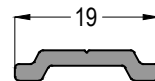
12-57

0,358 kg/mt



04-025025-12

0,159 kg/mt



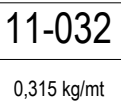
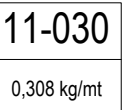
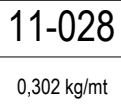
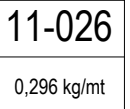
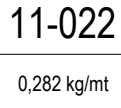
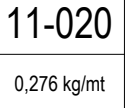
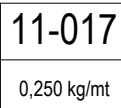
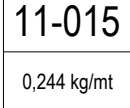
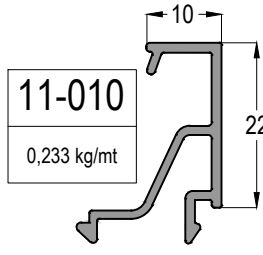
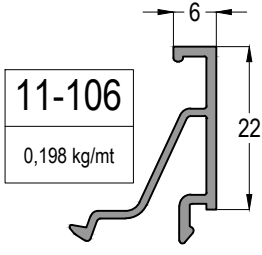
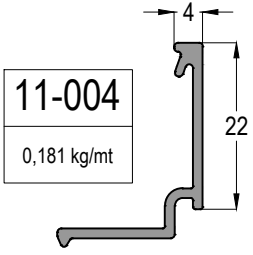
12-41

0,118 kg/mt

# AS50 - 1,4mm

YALITIMSIZ KAPI-PENCERE SİSTEMİ  
UNINSULATED WINDOW & DOOR SYSTEM

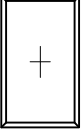
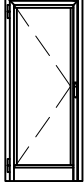
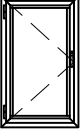
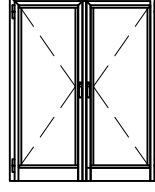
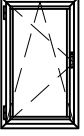

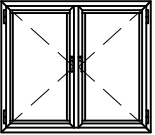
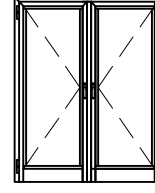
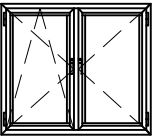
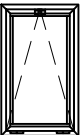
## ASISTAL



CAM KALINLIĞINA GÖRE CAM ÇİTASI SEÇİM TABLOSU  
Glazing Bead Selection Table according to the Glass Thickness

CAM KALINLIĞI Glass Thickness (mm)	CAM ÇİTASI Glazing Bead	İÇ CAM FİTİLİ Glass Gasket (IN)	DIŞ CAM FİTİLİ Glass Gasket (OUT)
4	11-032	EP2-03	EP1-01
5	11-032	EP2-01	EP1-01
6	11-032	EP2-01	EP1-01
7	11-030	EP2-01	EP1-01
8	11-030	EP2-01	EP1-01
9	11-028	EP2-01	EP1-01
10	11-028	EP2-01	EP1-01
11	11-026	EP2-01	EP1-01
12	11-026	EP2-01	EP1-01
14	11-022	EP2-03	EP1-01
15	11-022	EP2-01	EP1-01
16	11-022	EP2-01	EP1-01
17	11-020	EP2-01	EP1-01
18	11-020	EP2-01	EP1-01
19	11-017	EP2-03	EP1-01
20	11-017	EP2-01	EP1-01
21	11-017	EP2-01	EP1-01
22	11-015	EP2-01	EP1-01
23	11-015	EP2-01	EP1-01
24	11-015	KC 02	EP1-01
26	11-010	EP2-03	EP1-01
27	11-010	EP2-01	EP1-01
28	11-010	EP2-01	EP1-01
30	11-106	EP2-03	EP1-01
32	11-106	EP2-01	EP1-01
33	11-004	EP2-01	EP1-01
34	11-004	EP2-01	EP1-01

### AÇILIM TİPLERİ - OPENING TYPES

 <p>SABİT <i>FIXED</i></p>	 <p>TEK KANAT İÇE AÇILIR KAPI <i>SINGLE INWARD OPENING DOOR</i></p>
 <p>TEK AÇILIR KANAT <i>SINGLE OPENING SASH</i></p>	 <p>ÇİFT KANAT İÇE AÇILIR KAPI <i>DOUBLE INWARD OPENING DOOR</i></p>
 <p>TEK KANAT ÇİFT EKSEN AÇILIM KANAT <i>SINGLE TILT-TURN OPENING SASH</i></p>	 <p>TEK KANAT DIŞA AÇILIR KAPI <i>SINGLE OUTWARD OPENING DOOR</i></p>
 <p>ÇİFT AÇILIR KANAT <i>DOUBLE OPENING SASH</i></p>	 <p>ÇİFT KANAT DIŞA AÇILIR KAPI <i>DOUBLE OUTWARD OPENING DOOR</i></p>
 <p>ÇİFT EKSEN AÇILIR KANAT <i>DOUBLE TILT-TURN OPENING SASH</i></p>	
 <p>VASİSTAS AÇILIR KANAT <i>TILT OPENING SASH</i></p>	

**AS50 - 1,4mm**

YALITIMSIZ KAPI-PENCERE SİSTEMİ  
UNINSULATED WINDOW & DOOR SYSTEM

**ASISTAL**

**SİSTEM DETAYLARI**  
*SYSTEM DETAILS*



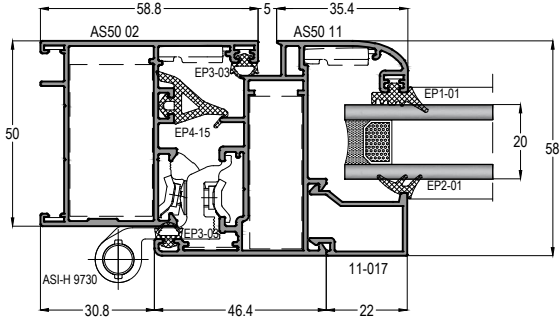
# AS50 - 1,4mm

YALITIMSIZ KAPI-PENCERE SİSTEMİ  
UNINSULATED WINDOW & DOOR SYSTEM

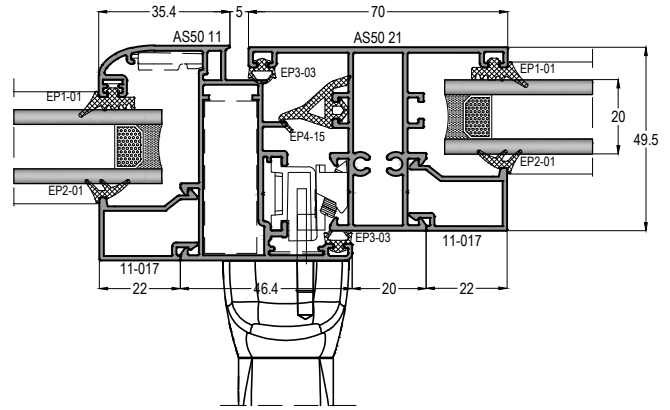
## ASISTAL

### PENCERE AÇILIM DETAYLARI WINDOW OPENING DETAILS

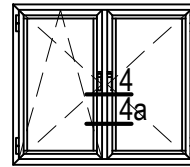
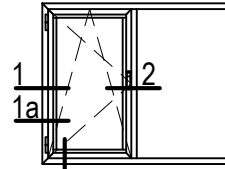
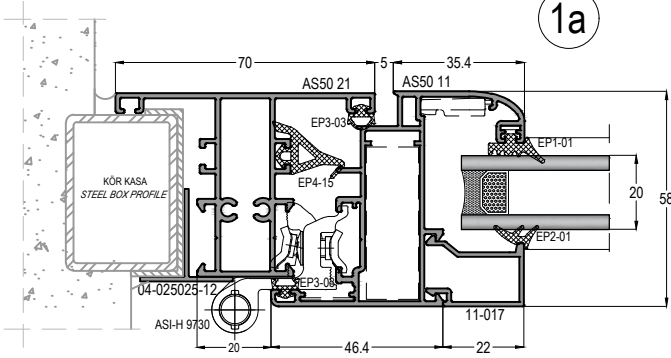
1



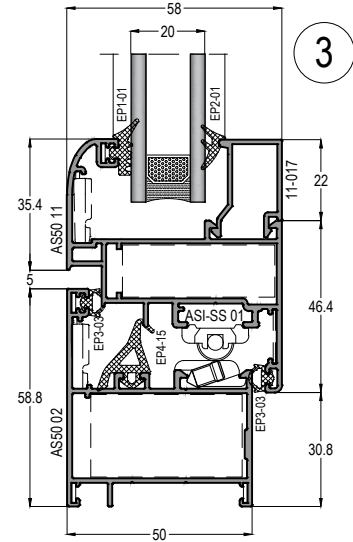
2



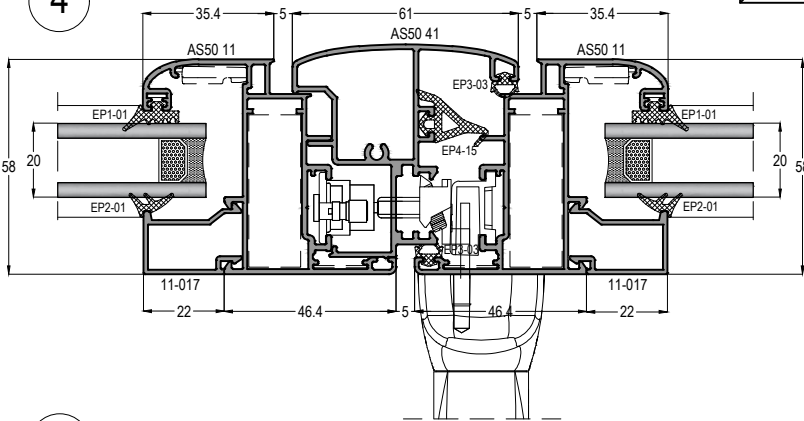
1a



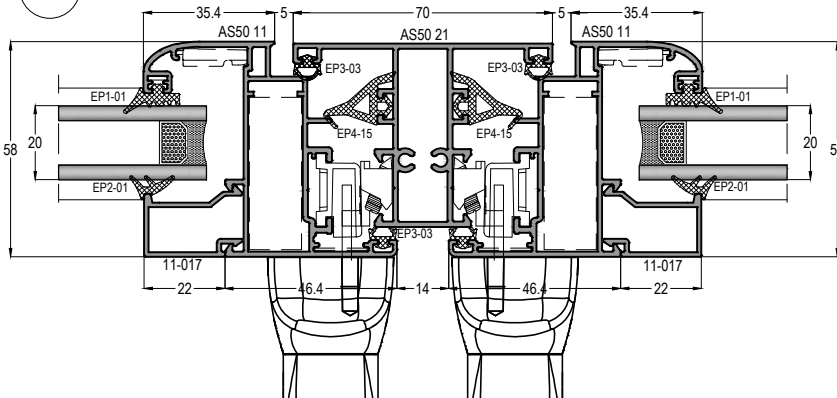
3



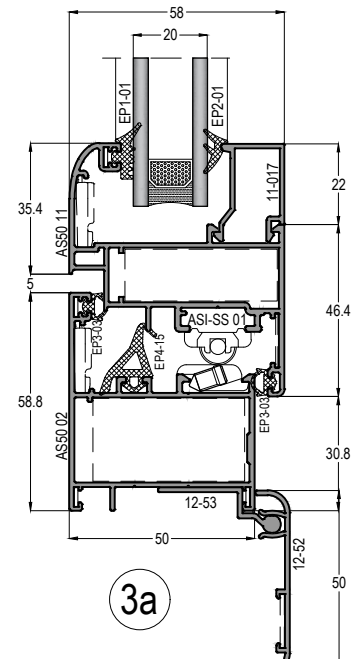
4



4a

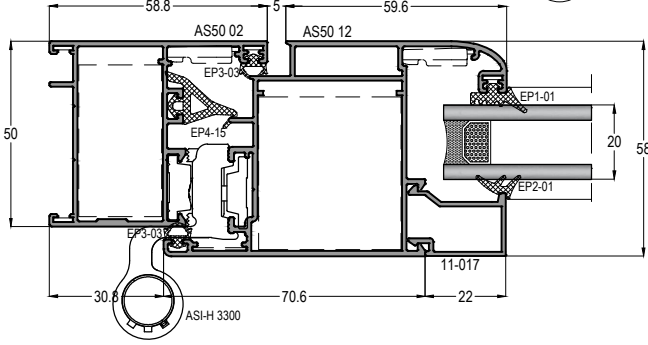


3a

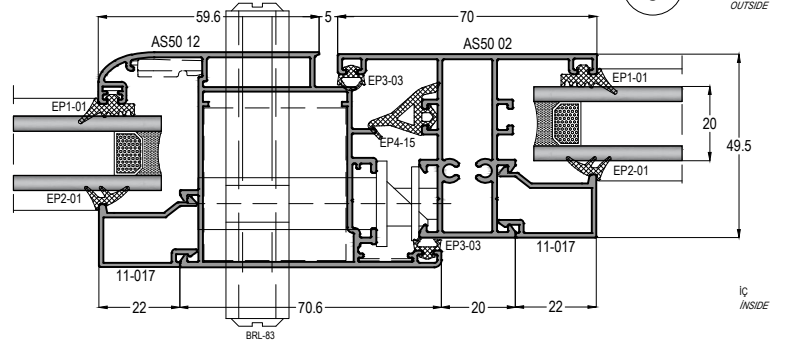


### İÇE AÇILIR KAPI DETAYLARI INNER OPENING DOOR DETAILS

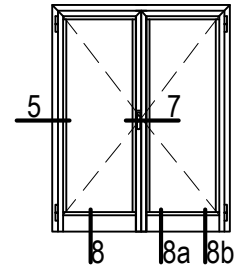
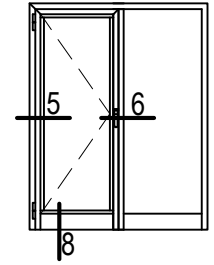
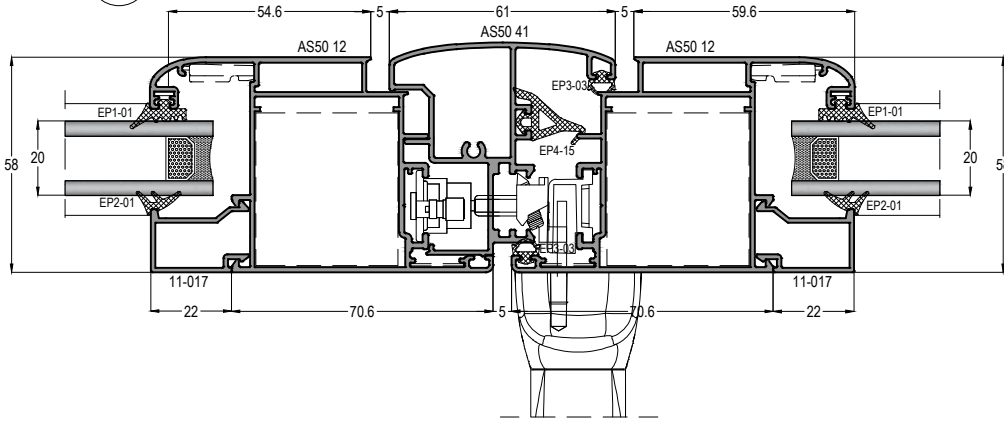
5



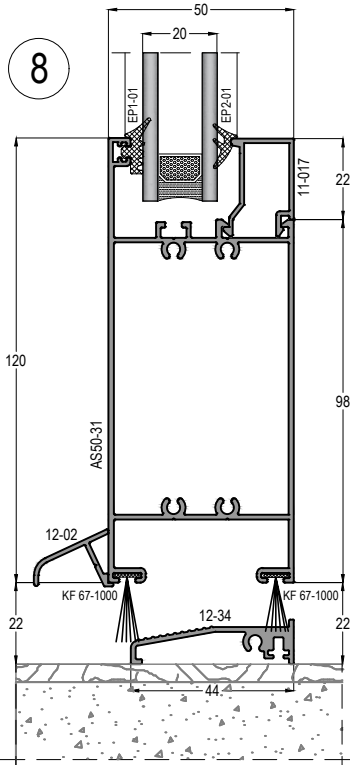
6



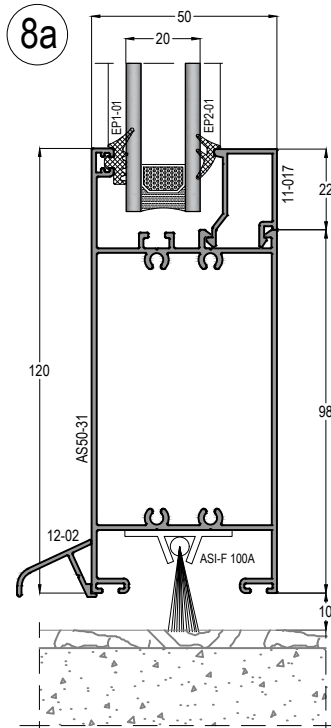
7



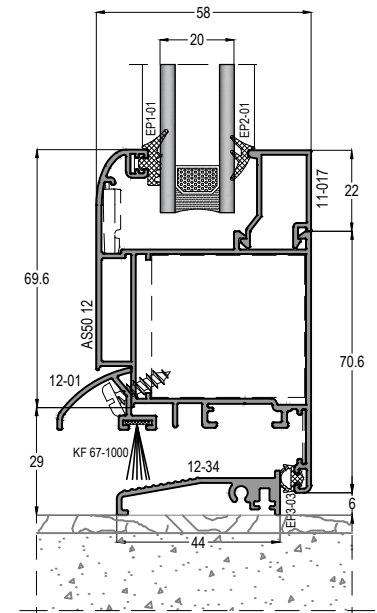
8



8a



8b

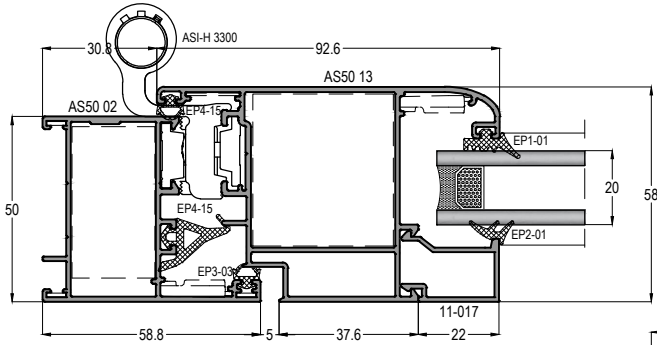


# AS50 - 1,4mm

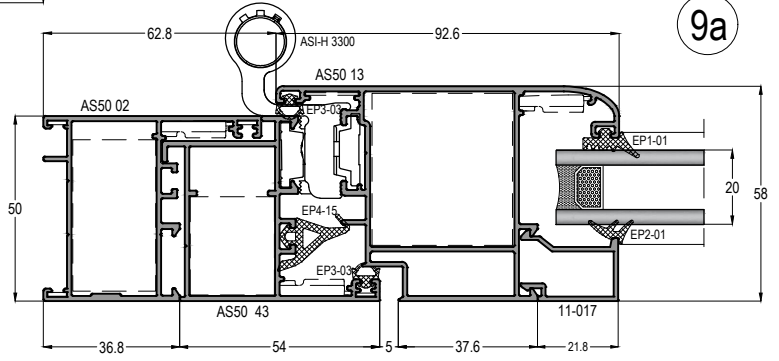
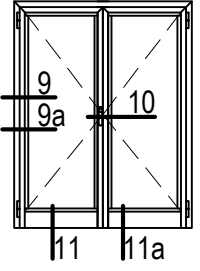
YALITIMSIZ KAPI-PENCERE SİSTEMİ  
UNINSULATED WINDOW & DOOR SYSTEM

## ASISTAL

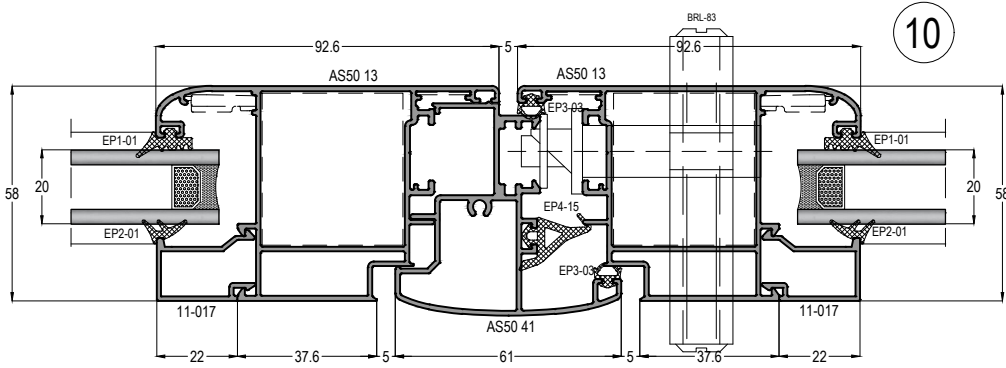
### DİŞA AÇILIR KAPI DETAYLARI OUTER OPENING DOOR DETAILS



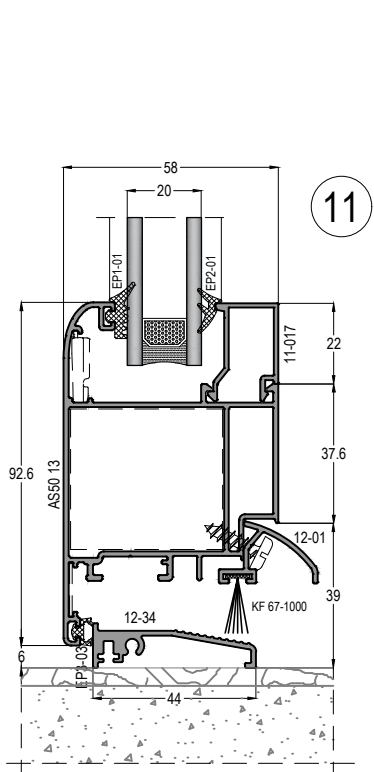
9



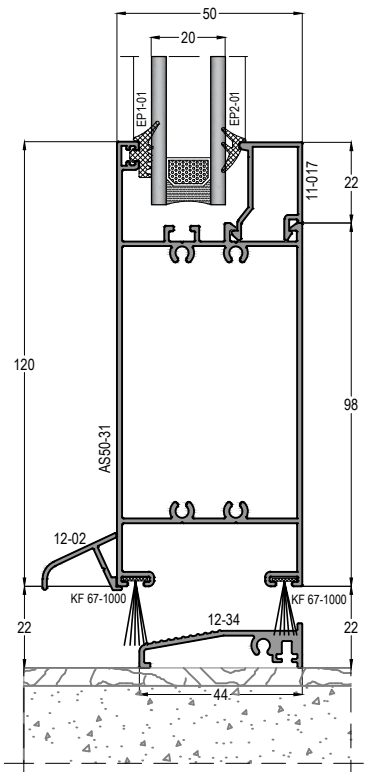
9a



10



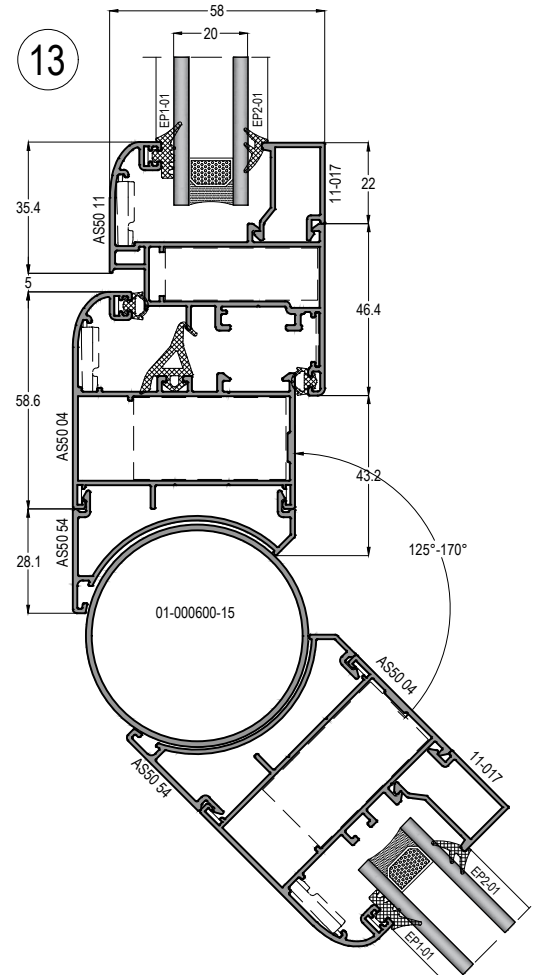
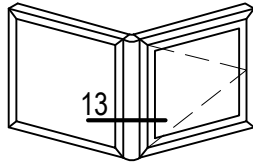
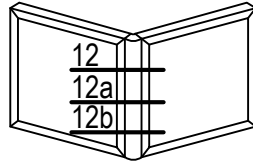
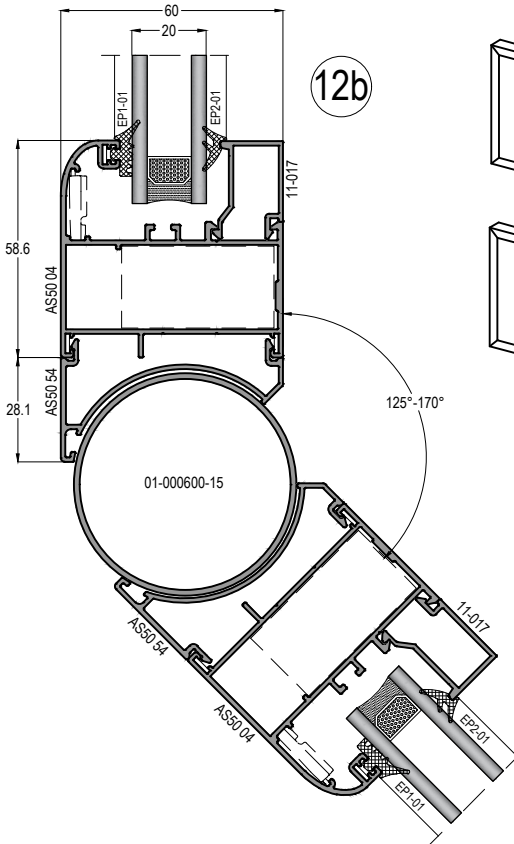
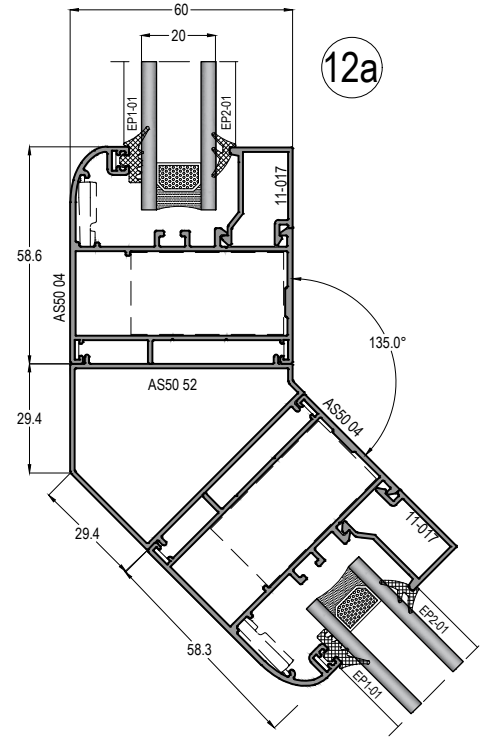
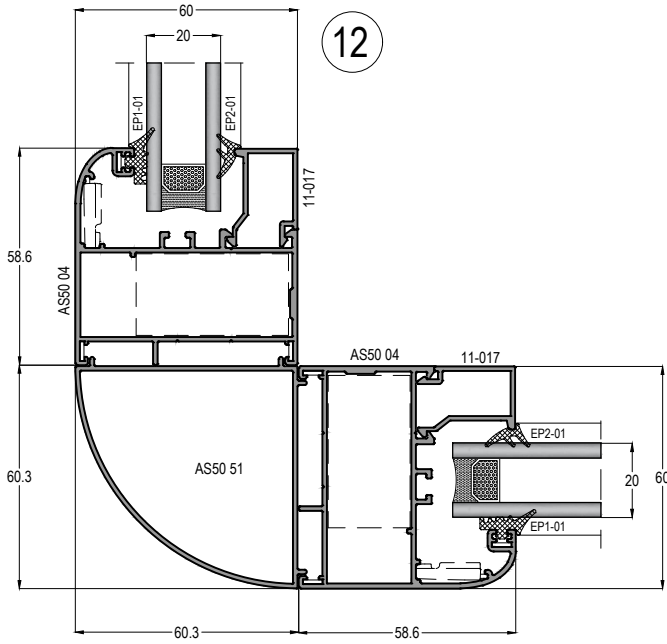
11



11a

# AS50 - 1,4mm

YALITIMSIZ KAPI-PENCERE SİSTEMİ  
UNINSULATED WINDOW & DOOR SYSTEM



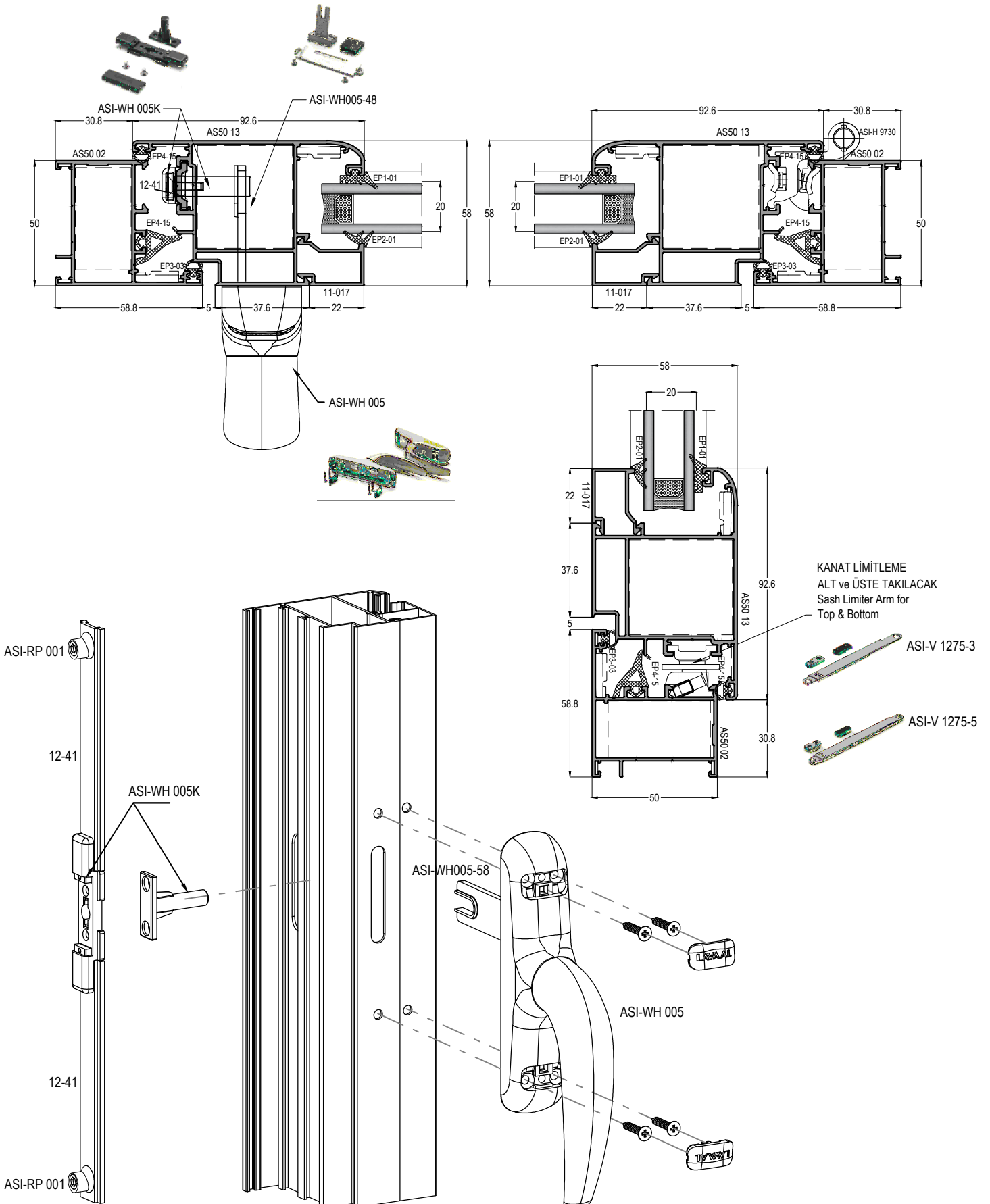
# AS50 - 1,4mm

YALITIMSIZ KAPI-PENCERE SİSTEMİ  
UNINSULATED WINDOW & DOOR SYSTEM

## ASISTAL

### DIŞA AÇILIR PENCERE DETAYI

OUTER OPENING WINDOW DETAILS



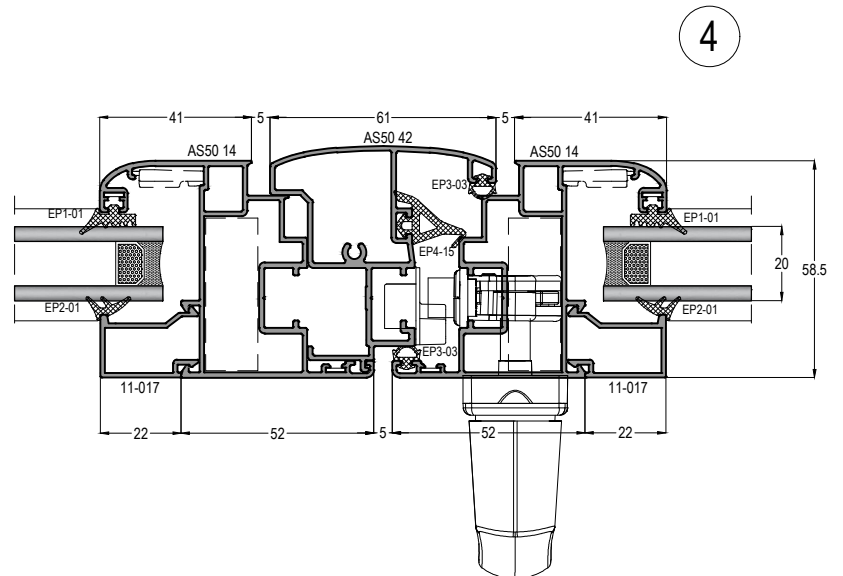
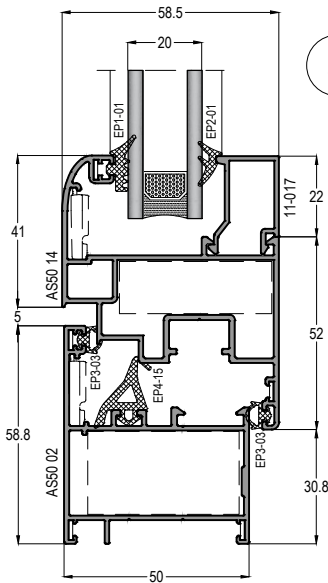
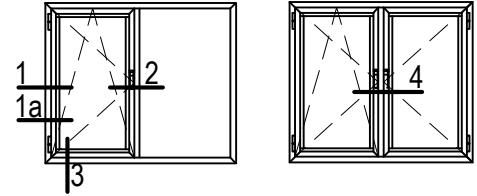
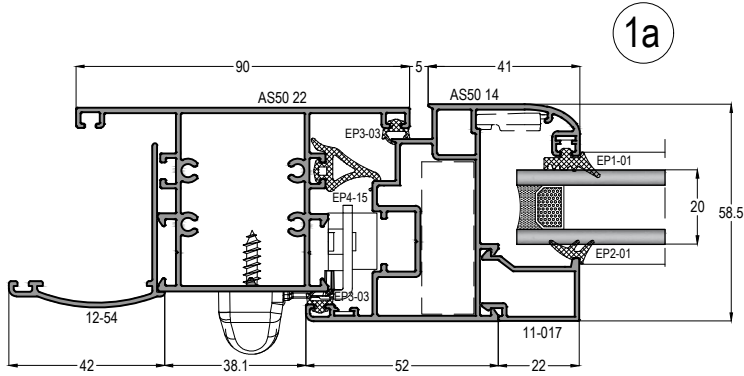
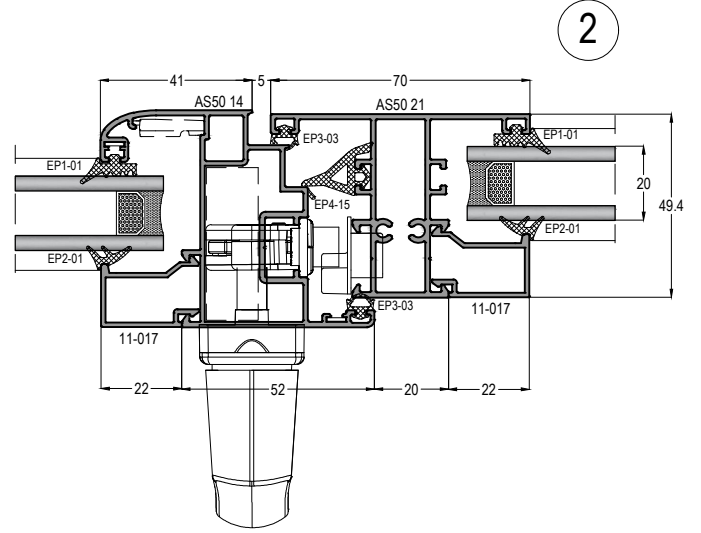
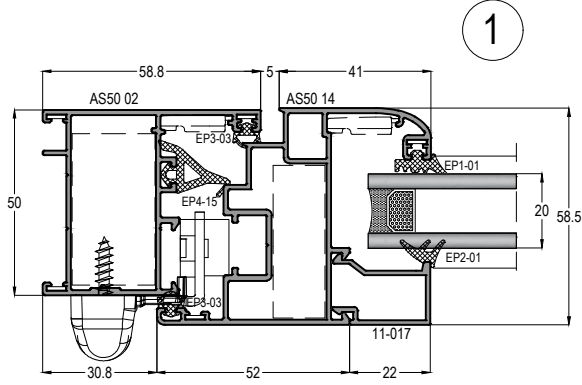
**ÇOK NOTADAN KİLİTLEME SİSTEM DETAYLARI**  
**(PVC AKSESUAR KANALLI)**  
*MULTI POINT POINTING SYSTEM DETAILS*

# AS50 - 1,4mm

YALITIMSIZ KAPI-PENCERE SİSTEMİ  
UNINSULATED WINDOW & DOOR SYSTEM

## ASISTAL

### PENCERE AÇILIM DETAYLARI WINDOW OPENING DETAILS

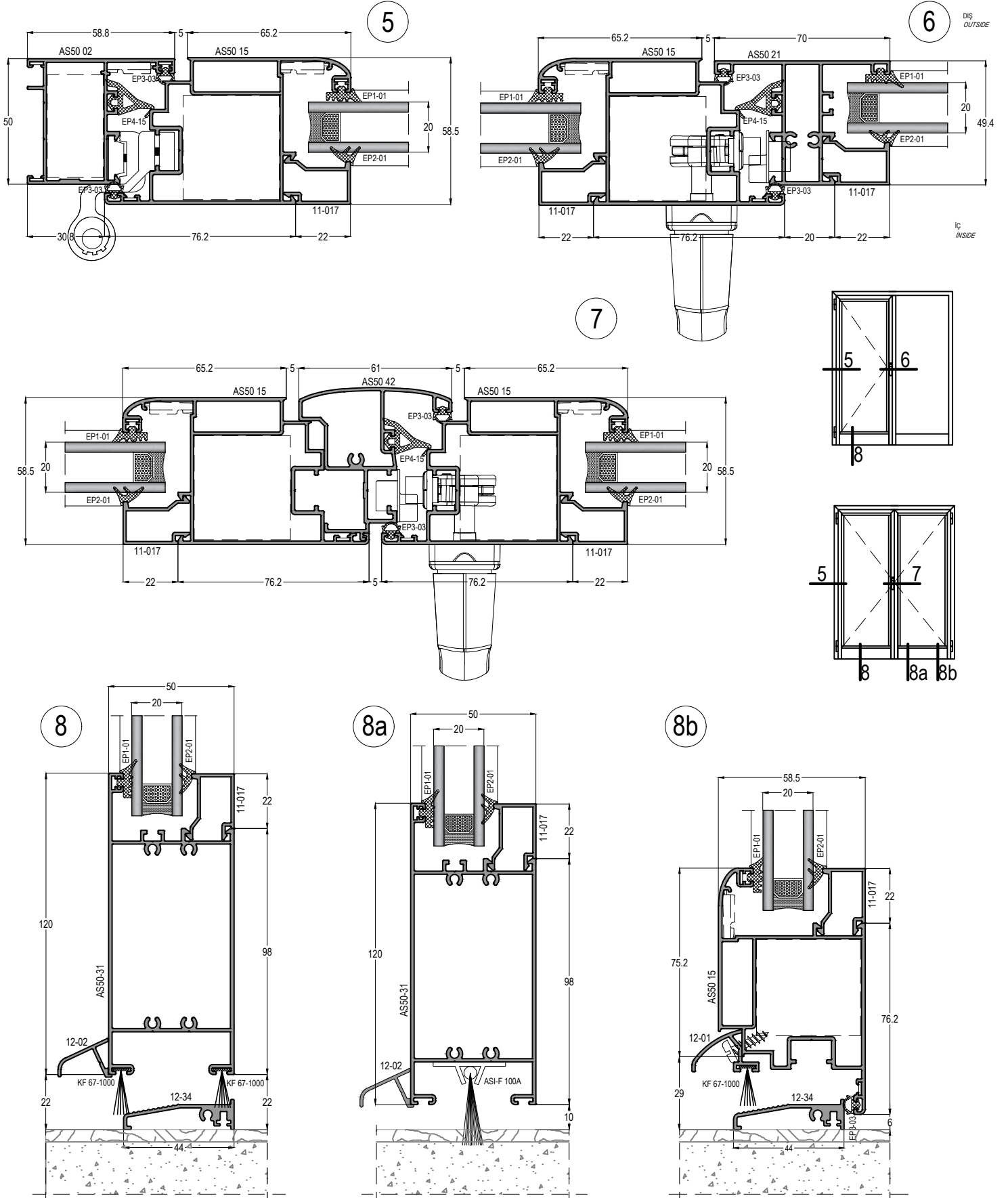


# AS50 - 1,4mm

YALITIMSIZ KAPI-PENCERE SİSTEMİ  
UNINSULATED WINDOW & DOOR SYSTEM

## ASISTAL

### İÇE AÇILIR KAPI DETAYLARI INNER OPENING DOOR DETAILS



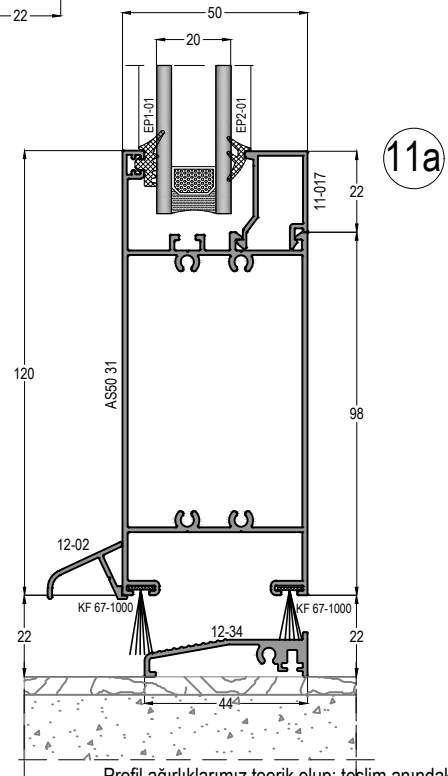
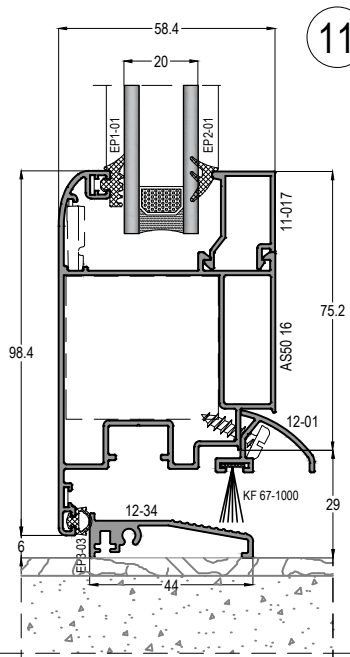
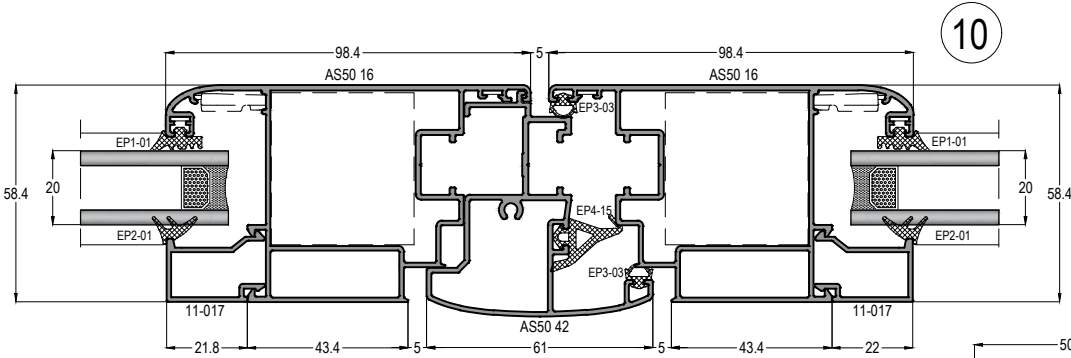
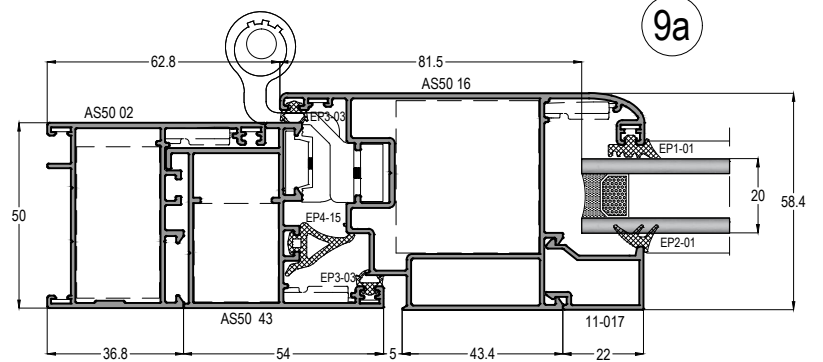
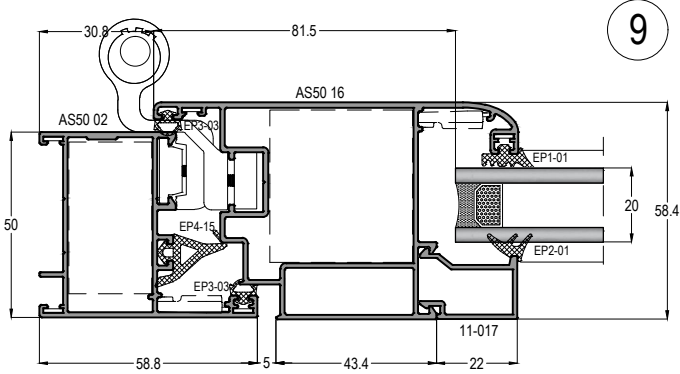
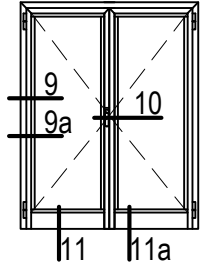


# AS50 - 1,4mm

YALITIMSIZ KAPI-PENCERE SİSTEMİ  
UNINSULATED WINDOW & DOOR SYSTEM

## ASISTAL

### DIŞA AÇILIR KAPI DETAYLARI OUTER OPENING DOOR DETAILS



**AS50 - 1,4mm**

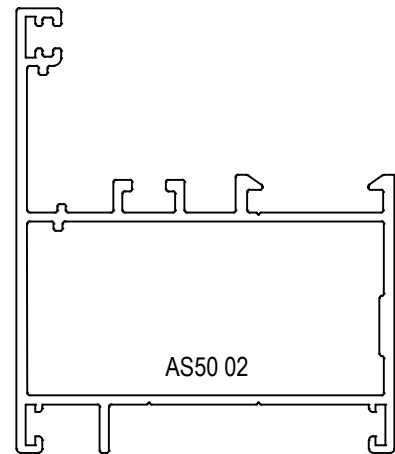
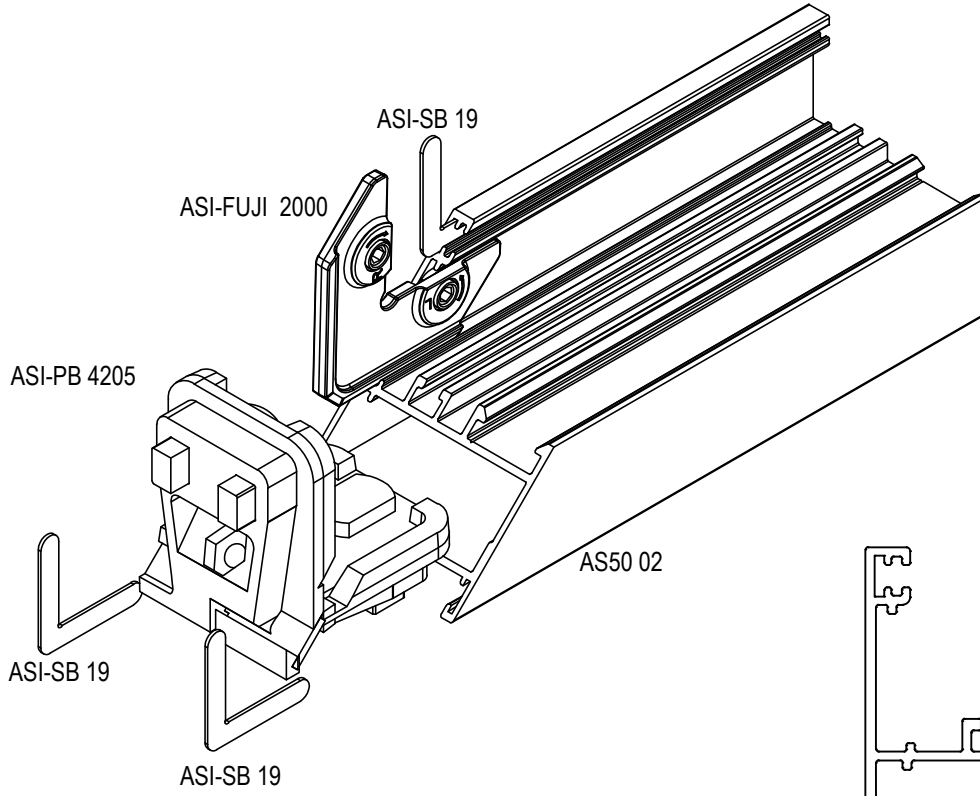
YALITIMSIZ KAPI-PENCERE SİSTEMİ  
UNINSULATED WINDOW & DOOR SYSTEM

**ASISTAL**

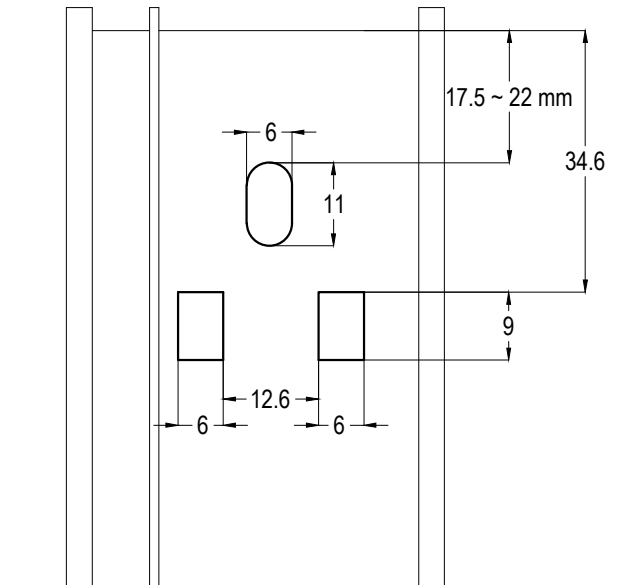
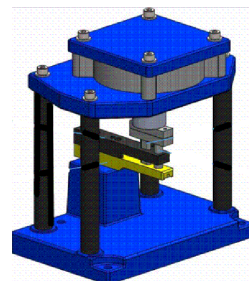
**KESİM ve MONTAJ**  
*CUTTING & ASSEMBLY*

# AS50 - 1,4mm

YALITIMSIZ KAPI-PENCERE SİSTEMİ  
UNINSULATED WINDOW & DOOR SYSTEM



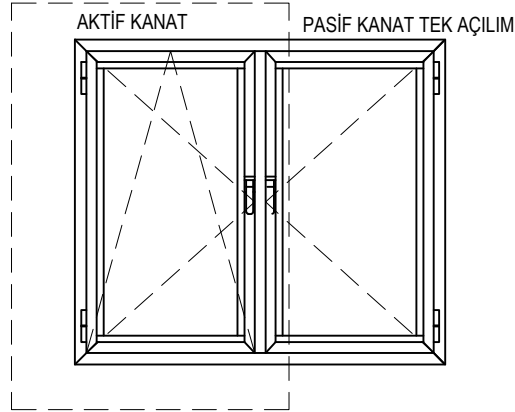
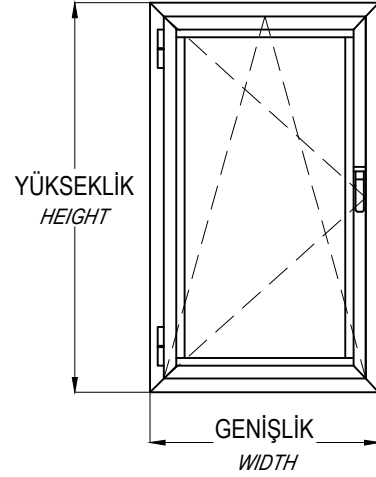
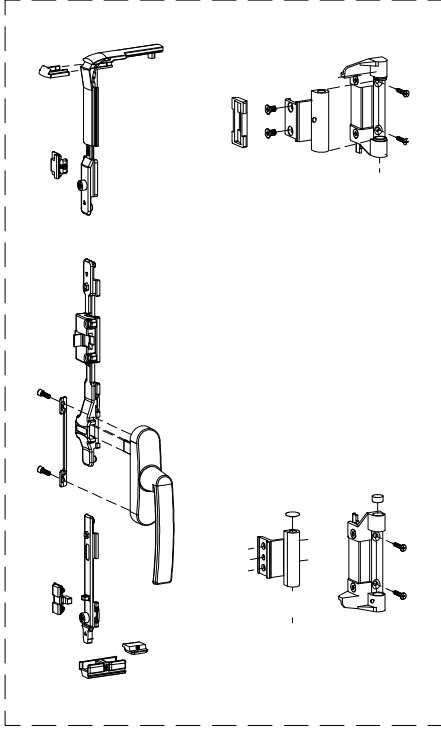
510 EKO PANÇ

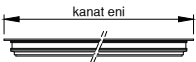
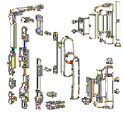







## ÇİFT EKSEN AÇILIM AKSESUAR KULLANIM TABLOSU / ALU - ALU TT

TILT&amp;TURN OPENING ACCESSORIES TABLE

## STANDART KİT / ASI-LTT-S01



							
	kanat eni	ASI-LTT-S01	ASI-LTT-M01	ASI-LTT-M02	ASI-LTT-M03	ASI-LTT-M04	ASI-LTT-B01
KANAT GENİŞLİK / Sash Width : 345-400mm		X	X				
KANAT GENİŞLİK / Sash Width : 401-540mm		X		X			
KANAT GENİŞLİK / Sash Width : 541-1100mm		X			X		
KANAT GENİŞLİK / Sash Width : 1100-1500mm		X			X	X	
KANAT YÜKSEKLİK / Sash Height : < 1400mm							X

# AS50 - 1,4mm

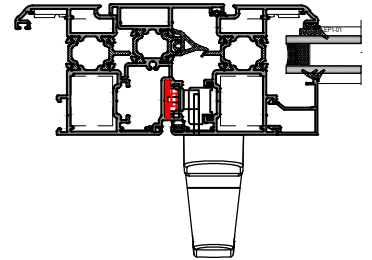
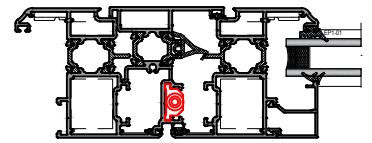
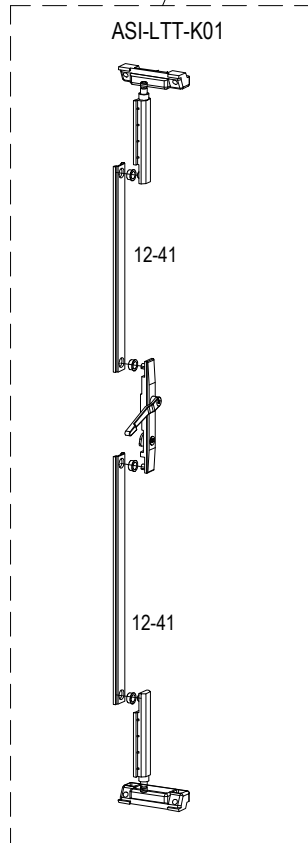
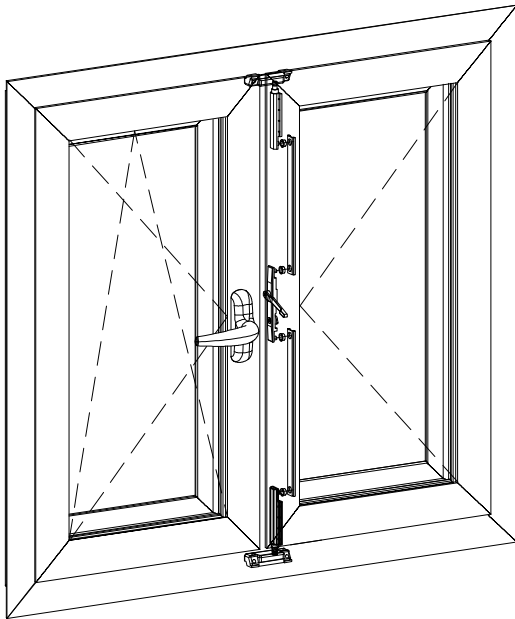
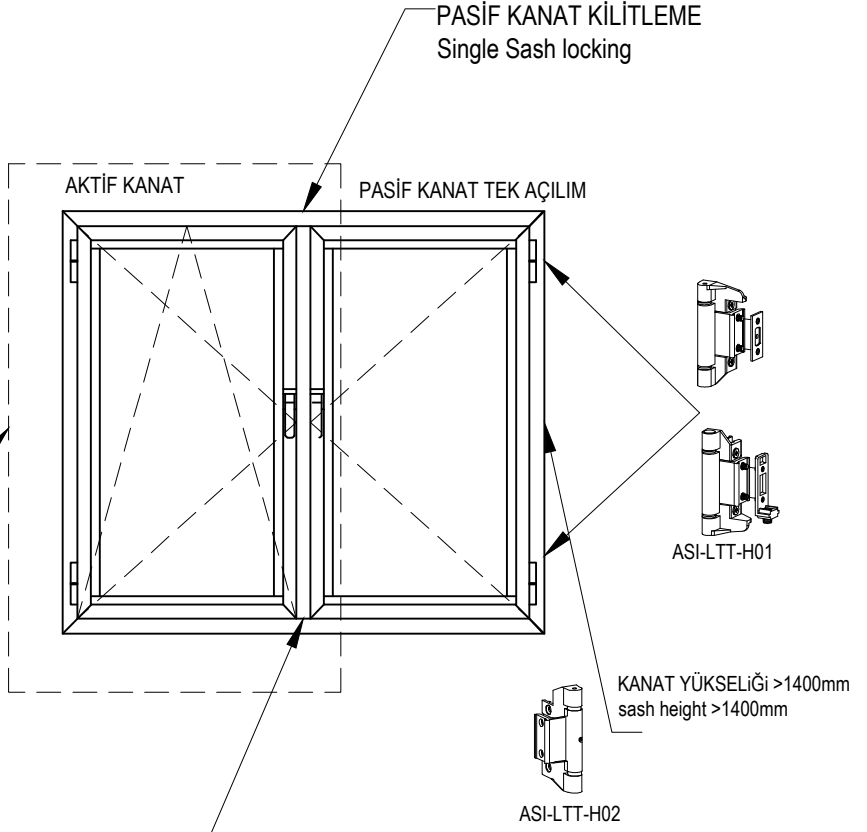
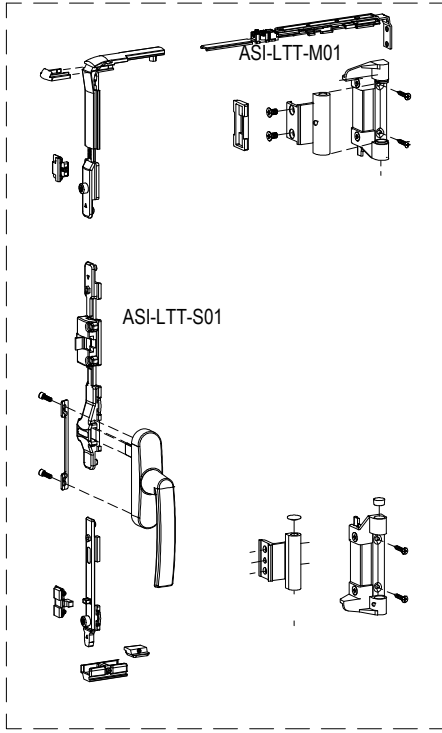
YALITIMSIZ KAPI-PENCERE SİSTEMİ  
UNINSULATED WINDOW & DOOR SYSTEM

## ASISTAL

### ÇİFT EKSEN AÇILIM ÇİFT KANAT AKSESUAR KULLANIM TABLOSU / ALU - ALU TT

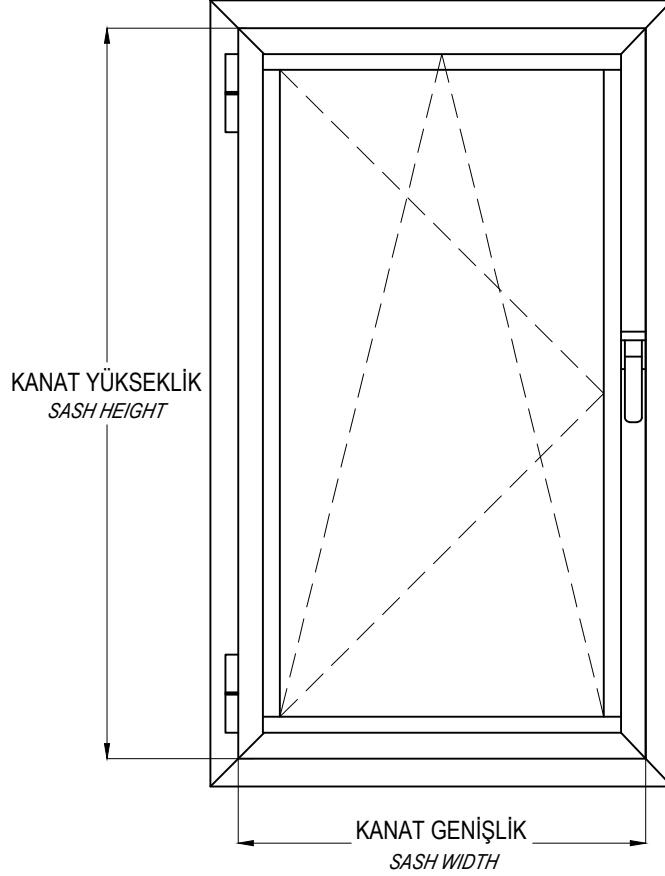
TILT&TURN OPENING ACCESSORIES TABLE

#### STANDART KİT / ASI-LTT-S01



**MULTI POINT SİSTEM (PVC KANALLI) ÇİFT EKSEN AÇILIM AKSESUAR TABLOSU**

MULTI POINT SYSTEM TILT&amp;TURN OPENING ACCESSORIES TABLE

**MULTI POINT (PVC KANALLI) KİLİTLEME AKSESUAR SEÇİM TABLOSU**

MULTI POINT SYSTEM ACCESSORIES TABLE

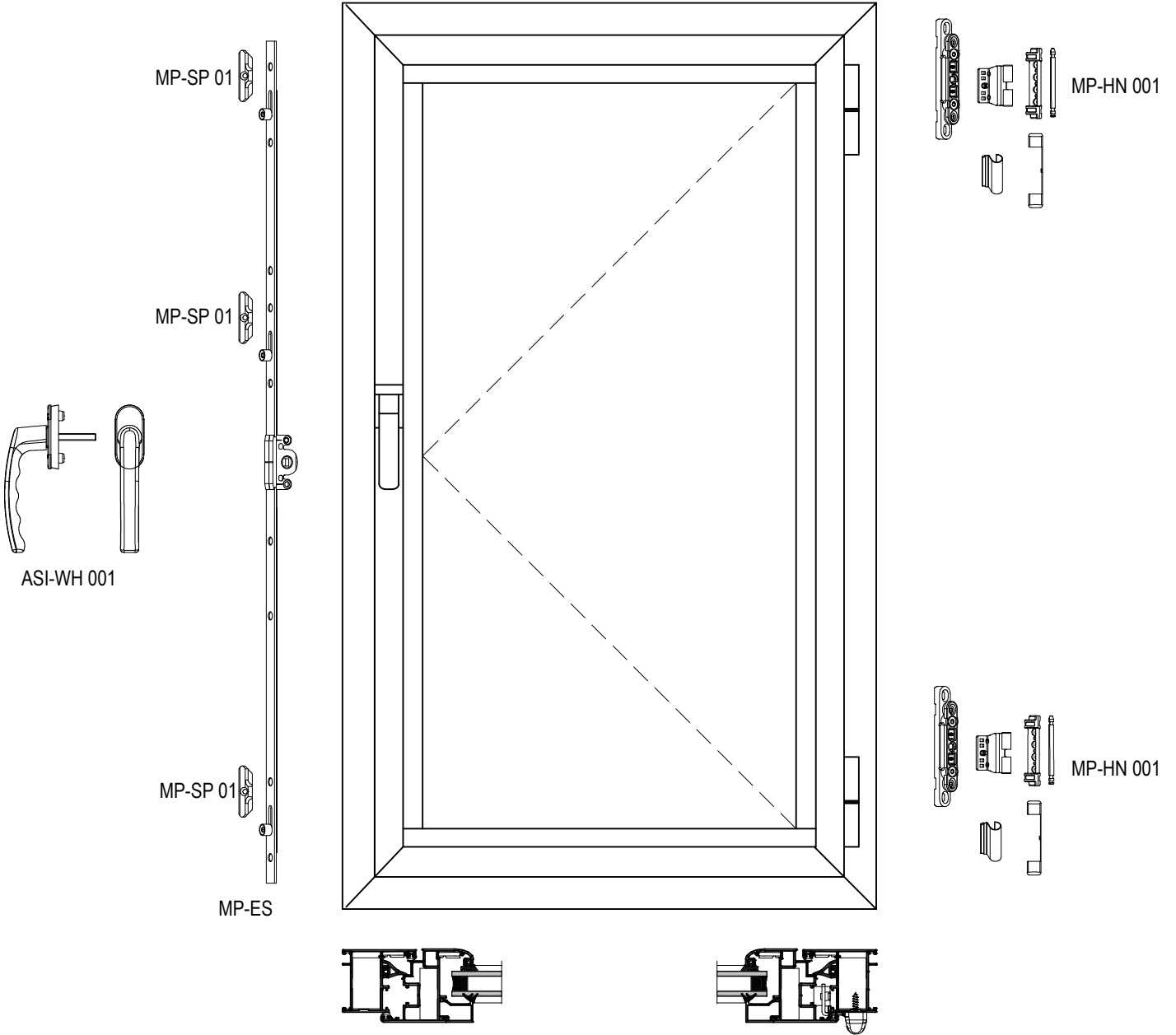
MULTI POINT (PVC KANALLI) KİLİTLEME AKSESUAR SEÇİM TABLOSU						
MULTI POINT SYSTEM ACCESSORIES TABLE						
YÜKSEKLİK - HEIGHT	GENİŞLİK - WIDTH					
		400-650mm	600-850mm	850-1100mm	1100-1350mm	1350mm-1600mm
	450-700 mm	ASI-PVC TT 01	ASI-PVC TT 02	ASI-PVC TT 03	ASI-PVC TT 04	
	700-1200 mm	ASI-PVC TT 05	ASI-PVC TT 06	ASI-PVC TT 07	ASI-PVC TT 08	ASI-PVC TT 09
	1200-1400 mm	ASI-PVC TT 10	ASI-PVC TT 11	ASI-PVC TT 12	ASI-PVC TT 013	ASI-PVC TT 14
	1400-1700 mm	ASI-PVC TT 15	ASI-PVC TT 16	ASI-PVC TT 017	ASI-PVC TT 18	ASI-PVC TT 19
1700-2400 mm	ASI-PVC TT 20	ASI-PVC TT 21	ASI-PVC TT 22	ASI-PVC TT 23	ASI-PVC TT 24	

AS50 - 1,4mm

YALITIMSIZ KAPI-PENCERE SİSTEMİ  
UNINSULATED WINDOW & DOOR SYSTEM



**MULTI POINT SİSTEM (PVC KANALLI) TEK EKSEN AÇILIM AKSESUARLARI**  
*MULTI POINT SYSTEM SINGLE OPENING ACCESSORIES*



# AS50 - 1,4mm

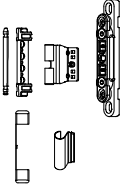
YALITIMSIZ KAPI-PENCERE SİSTEMİ  
UNINSULATED WINDOW & DOOR SYSTEM

## ASISTAL

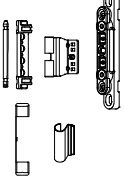
### MULTI POINT SİSTEM (PVC KANALLI) TEK KANAT AÇILIM KAPI AKSESUARLARI

MULTI POINT SYSTEM INNER / OUTER OPENING DOOR ACCESSORIES

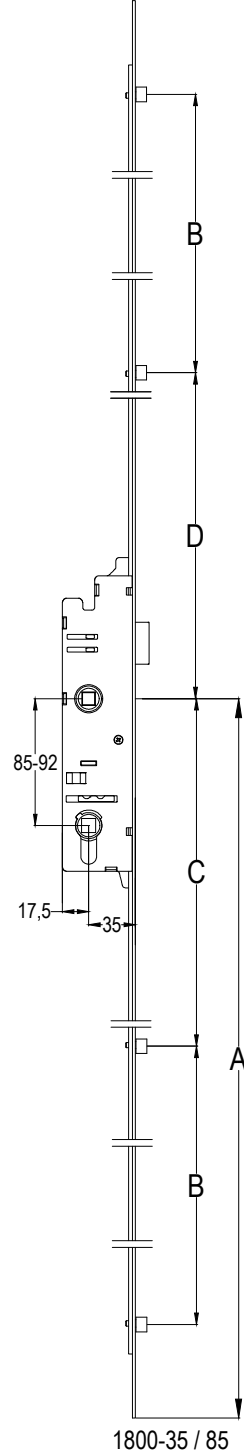
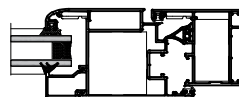
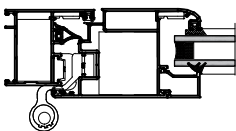
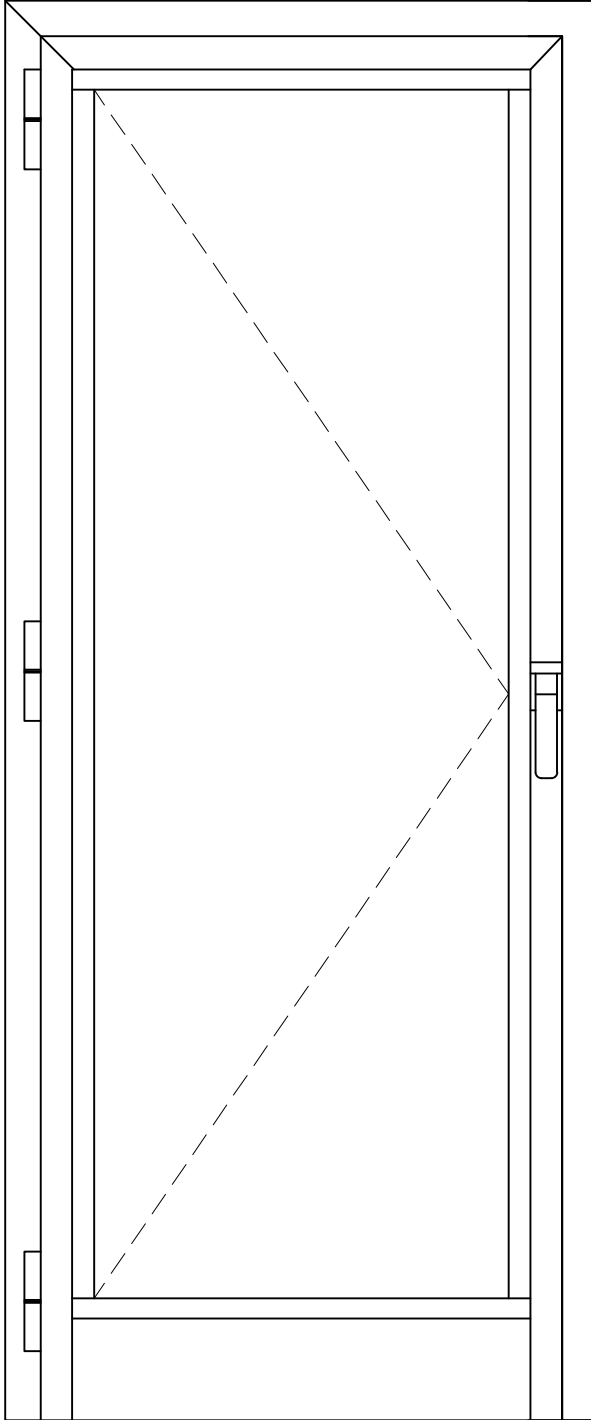
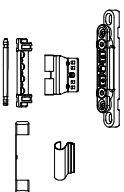
MP-HN 002



MP-HN 002



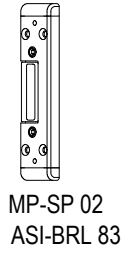
MP-HN 002



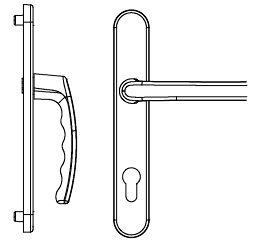
MP-SP 01



MP-SP 01



MP-SP 02  
ASI-BRL 83



ASI-DH 001



MP-SP 01



MP-SP 01

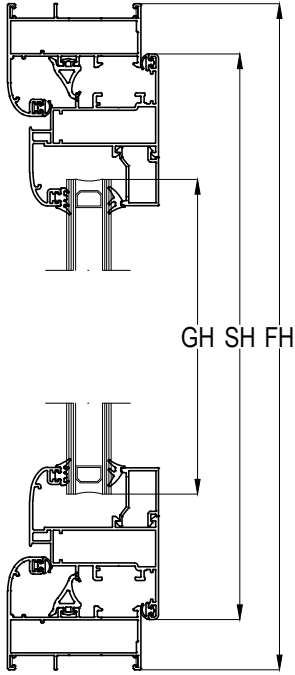
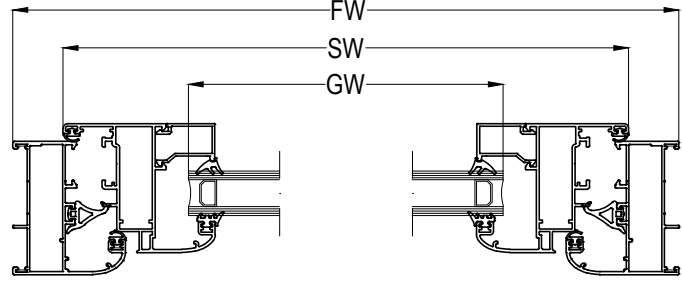
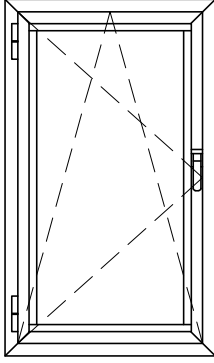


# AS50 - 1,4mm

YALITIMSIZ KAPI-PENCERE SİSTEMİ  
UNINSULATED WINDOW & DOOR SYSTEM



## TEK KANAT AÇILIM KESİM ÖLÇÜLERİ SINGLE SASH CUTTING SIZES



KASA PROFİLİ Frame Profile	KANAT PROFİLİ Sash Profile	KESİM ÖLÇÜLERİ Cutting Sizes (mm)
AS50 01	AS50 11	SW=FW-45,2 mm GW=SW-102,8 mm  SH=FH-45,2 mm GH=SH-102,8 mm
AS50 01	AS50 12 AS50 13	SW=FW-45,2 mm GW=SW-151,2 mm  SH=FH-45,2 GH=SH-151,2 mm
AS50 01	AS50 14	SW=FW-45,2 mm GW=SW-114 mm  SH=FH-45,2mm GH=SH-114mm
AS50 01	AS50 15 AS50 16	SW=FW-45,2mm GW=SW-162,4 mm  SH=FH-45,2 mm GH=SH-162,4 mm

FW= KASA GENİŞLİĞİ / FRAME WIDTH  
SW= KANAT GENİŞLİĞİ / SASH WIDTH  
GW= CAM GENİŞLİĞİ / GLASS WIDTH

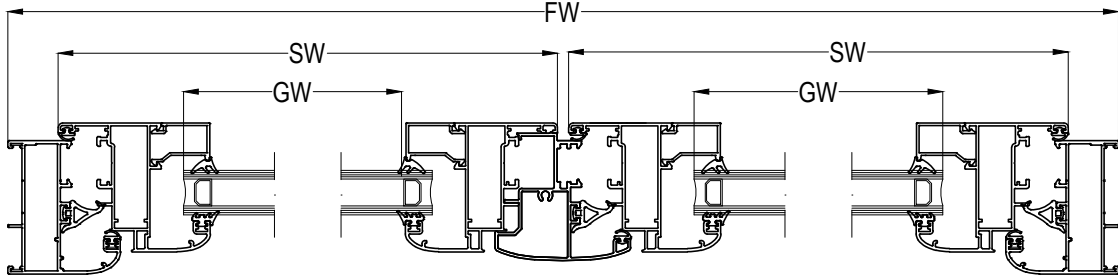
FH= KASA YÜKSEKLİĞİ / FRAME HEIGHT  
SH= KANAT YÜKSEKLİĞİ / SASH HEIGHT  
GH= CAM YÜKSEKLİĞİ / GLASS HEIGHT

# AS50 - 1,4mm

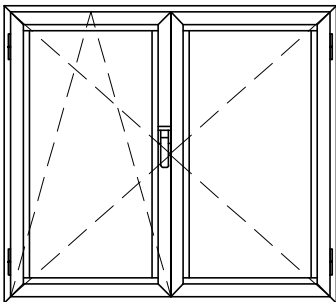
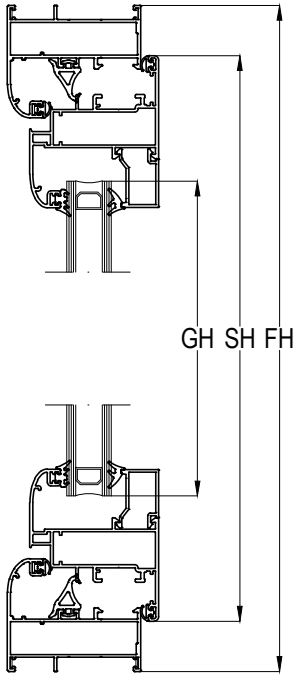
YALITIMSIZ KAPI-PENCERE SİSTEMİ  
UNINSULATED WINDOW & DOOR SYSTEM



## ÇİFT KANAT AÇILIM KESİM ÖLÇÜLERİ DOUBLE SASH CUTTING SIZES



ADAPTÖR PROFİLİ  
AS50 41 = SH - 70mm



KASA PROFİLİ Frame Profile	KANAT PROFİLİ Sash Profile	KESİM ÖLÇÜLERİ Cutting Sizes (mm)
AS50 01	AS50 11	SW=FW/2-25 mm GW=SW-102,8 mm SH=FH-45,2 mm GH=SH-102,8 mm
AS50 01	AS50 12 AS50 13	SW=FW/2-25 mm GW=SW-151,2mm SH=FH-45,2 GH=SH-151,2 mm
AS50 01	AS50 14	SW=FW/2-25 mm GW=SW-114 mm SH=FH-45,2mm GH=SH-114mm
AS50 01	AS50 15 AS50 16	SW=FW/2-25mm GW=SW-162,4 mm SH=FH-45,2 mm GH=SH-162,4 mm

FW= KASA GENİŞLİĞİ / FRAME WIDTH  
SW= KANAT GENİŞLİĞİ / SASH WIDTH  
GW= CAM GENİŞLİĞİ / GLASS WIDTH

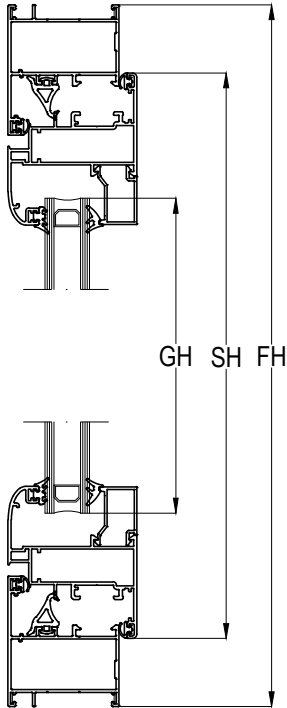
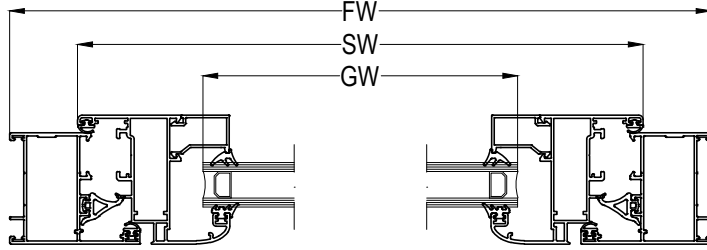
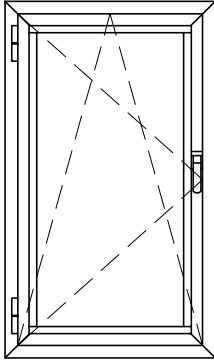
FH= KASA YÜKSEKLİĞİ / FRAME HEIGHT  
SH= KANAT YÜKSEKLİĞİ / SASH HEIGHT  
GH= CAM YÜKSEKLİĞİ / GLASS HEIGHT

# AS50 - 1,4mm

YALITIMSIZ KAPI-PENCERE SİSTEMİ  
UNINSULATED WINDOW & DOOR SYSTEM



## TEK KANAT AÇILIM KESİM ÖLÇÜLERİ SINGLE SASH CUTTING SIZES



KASA PROFİLİ Frame Profile	KANAT PROFİLİ Sash Profile	KESİM ÖLÇÜLERİ Cutting Sizes (mm)
AS50 02 AS50 04 AS50 05	AS50 11	SW=FW-61,6 mm GW=SW-102,8 mm  SH=FH-61,6 mm GH=SH-102,8 mm
AS50 02 AS50 04 AS50 05	AS50 12 AS50 13	SW=FW-61,6 mm GW=SW-151,2mm  SH=FH-61,6 GH=SH-151,2 mm
AS50 02 AS50 04 AS50 05	AS50 14	SW=FW-61,6 mm GW=SW-114 mm  SH=FH-61,6mm GH=SH-114mm
AS50 02 AS50 04 AS50 05	AS50 15 AS50 16	SW=FW-61,6mm GW=SW-162,4 mm  SH=FH-61,6 mm GH=SH-162,4 mm

FW= KASA GENİŞLİĞİ / FRAME WIDTH  
SW= KANAT GENİŞLİĞİ / SASH WIDTH  
GW= CAM GENİŞLİĞİ / GLASS WIDTH

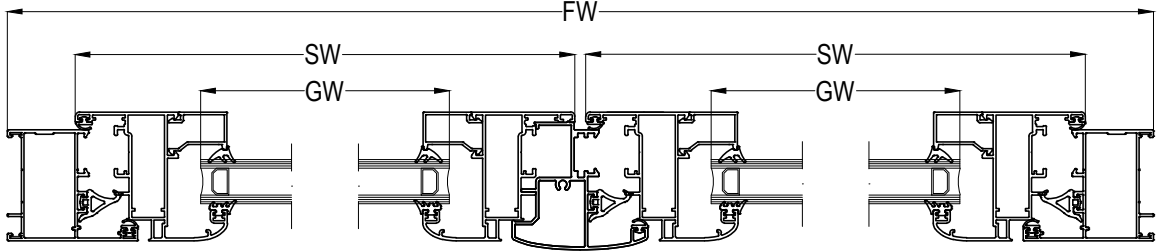
FH= KASA YÜKSEKLİĞİ / FRAME HEIGHT  
SH= KANAT YÜKSEKLİĞİ / SASH HEIGHT  
GH= CAM YÜKSEKLİĞİ / GLASS HEIGHT

# AS50 - 1,4mm

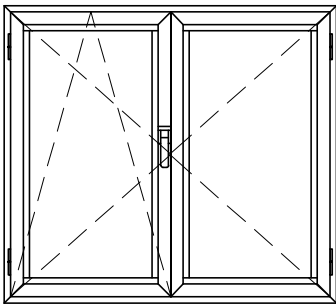
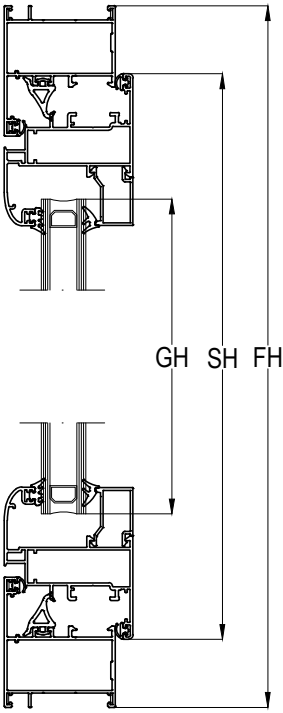
YALITIMSIZ KAPI-PENCERE SİSTEMİ  
UNINSULATED WINDOW & DOOR SYSTEM

## ASISTAL

### ÇİFT KANAT AÇILIM KESİM ÖLÇÜLERİ DOUBLE SASH CUTTING SIZES



ADAPTÖR PROFİLİ  
AS50 42 = SH - 70mm



KASA PROFİLİ Frame Profile	KANAT PROFİLİ Sash Profile	KESİM ÖLÇÜLERİ Cutting Sizes (mm)
AS50 02 AS50 04 AS50 05	AS50 11	SW=FW/2-33,3 mm GW=SW-102,8 mm  SH=FH-61,6 mm GH=SH-102,8 mm
AS50 02 AS50 04 AS50 05	AS50 12 AS50 13	SW=FW/2-33,3 mm GW=SW-151,2mm  SH=FH-61,6 GH=SH-151,2 mm
AS50 02 AS50 04 AS50 05	AS50 14	SW=FW/2-33,3 mm GW=SW-114 mm  SH=FH-61,6mm GH=SH-114mm
AS50 02 AS50 04 AS50 05	AS50 15 AS50 16	SW=FW/2-33,3mm GW=SW-162,4 mm  SH=FH-61,6 mm GH=SH-162,4 mm

FW= KASA GENİŞLİĞİ / FRAME WIDTH  
SW= KANAT GENİŞLİĞİ / SASH WIDTH  
GW= CAM GENİŞLİĞİ / GLASS WIDTH

FH= KASA YÜKSEKLİĞİ / FRAME HEIGHT  
SH= KANAT YÜKSEKLİĞİ / SASH HEIGHT  
GH= CAM YÜKSEKLİĞİ / GLASS HEIGHT