

SL40T - 1,4mm

ISI YALITIMLI SÜRME SİSTEMİ  
THERMAL SLIDING SYSTEM



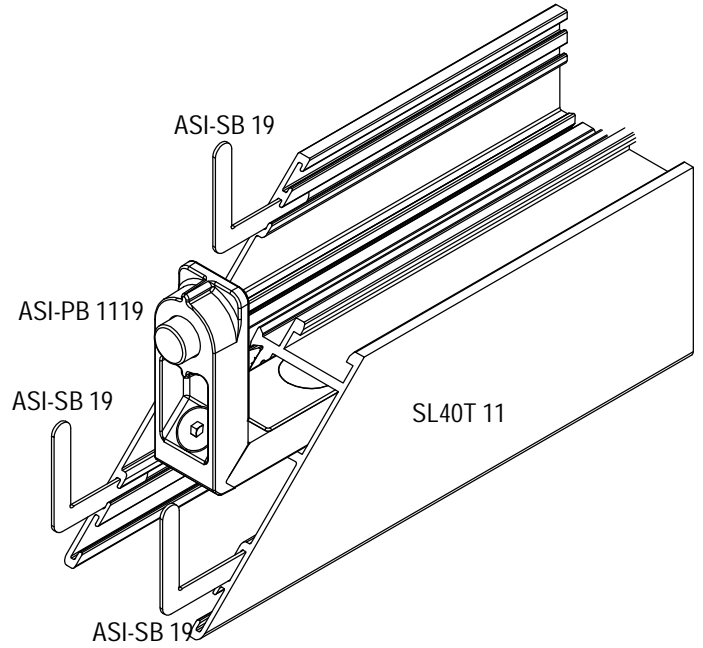
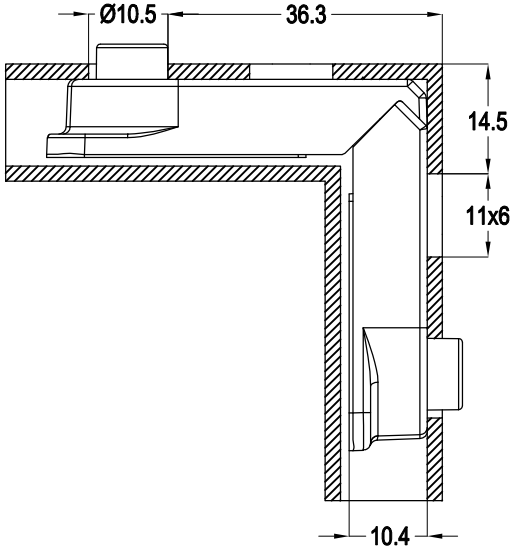
**KESİM VE MONTAJ ÇİZİMLERİ**  
***CUTTING & ASSEMBLY DRAWINGS***

SL40T - 1,4mm

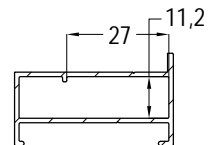
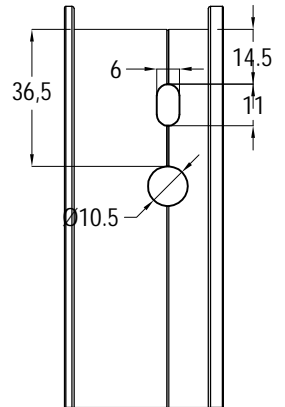
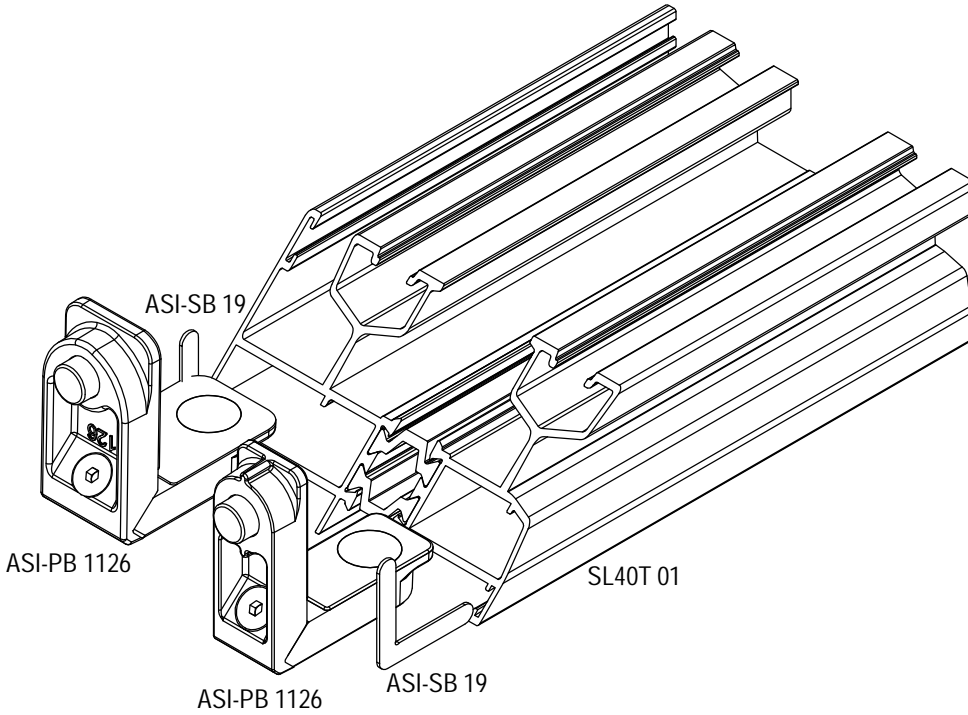
ISI YALITIMLI SÜRME SİSTEMİ  
THERMAL SLIDING SYSTEM

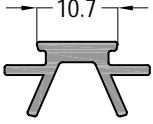


PİMLİ KÖŞE BAĞLANTI MONTAJI  
ASSEMBLY FOR BUTTON CORNER JOINT



501 EKO PAŇ

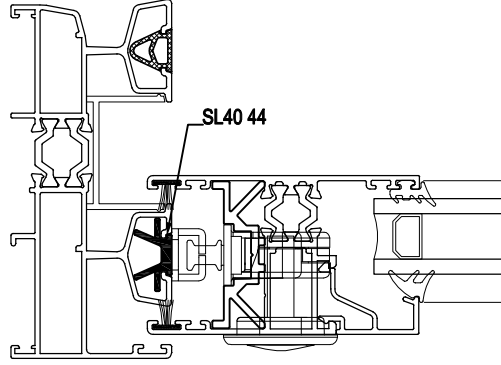
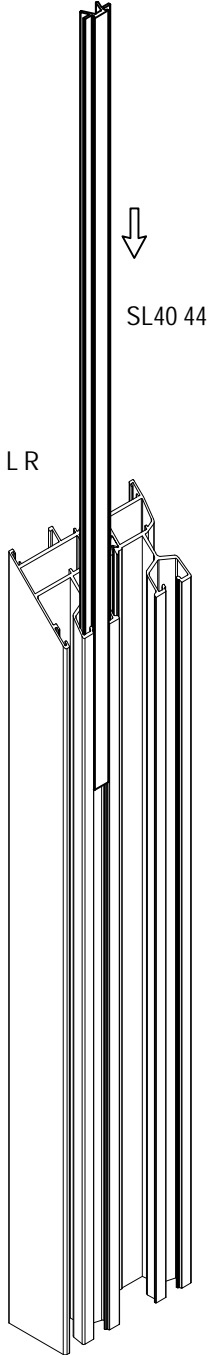


**KASA MONTAJI**  
**FRAME ASSEMBLY**

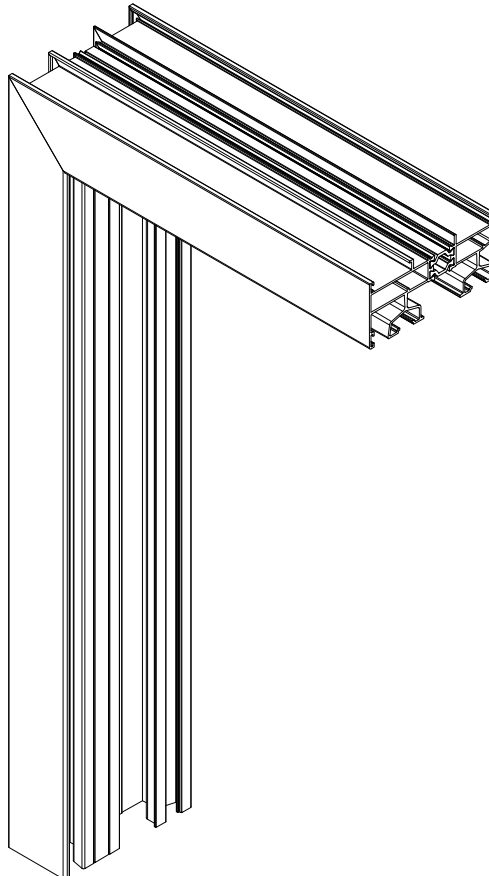
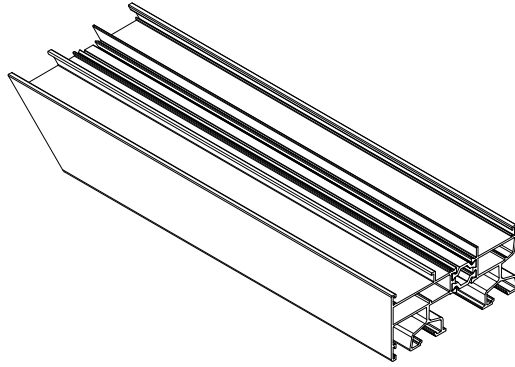
SL40 44

MAT S YAH BOYALI OLARAK  
KULLANILIR, KASAYA SÜRÜLEREK  
TAKILIR KÖŞE MONTAJI ÖNCESİ VE  
KASA PROFİLİLE BERABER 45° KESİLER  
That is used as matt black painted  
installation must be done by sliding  
to the frame before the frame corner  
joint and it cuts with frame profile to be  
45°

SL40T 01

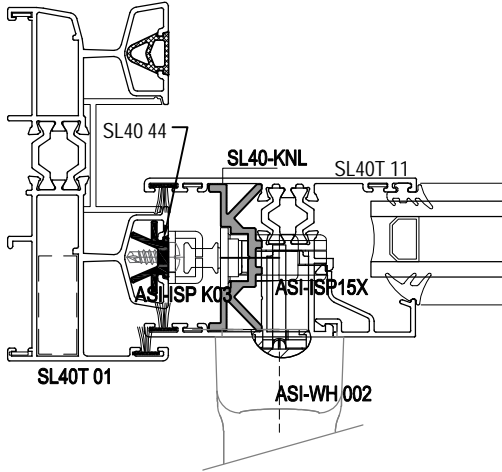


KİLİT KARKİLİ MONTAJI YAPILACAK TARAFTA  
MUTLAKA SL40 44 PROFİLİ TAKILMALIDIR  
You have to use SL40 44 profile  
in the frame for locking part



## İSPANYOLET KİLİTLEME : ASI-ISP 15

MULTI POINT LOCKING : ASI-ISP 15



ASI-ISP15.0 (400 mm L K SPANYOLET Ç N)  
KANAT YÜKSEKL (sash height) < 600mm  
SL40-KNL = 400mm X 1 ADET  
ASI-ISP K03 = 2 ADET

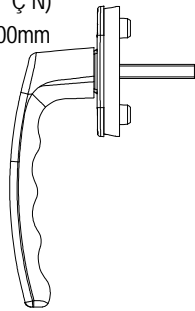


ASI-ISP K03

ASI-ISP15.1 (600 mm L K SPANYOLET Ç N)  
KANAT YÜKSEKL (sash height) < 1100mm  
SL40-KNL = 600mm X 1 ADET  
ASI-ISP K03 = 2 ADET

ASI-ISP15.2 (1000mm L K SPANYOLET Ç N)  
1900mm < KANAT YÜKSEKL (sash height) > 1100m  
SL40-KNL = 1000mm X 1 ADET  
ASI-ISP K03 = 2 ADET

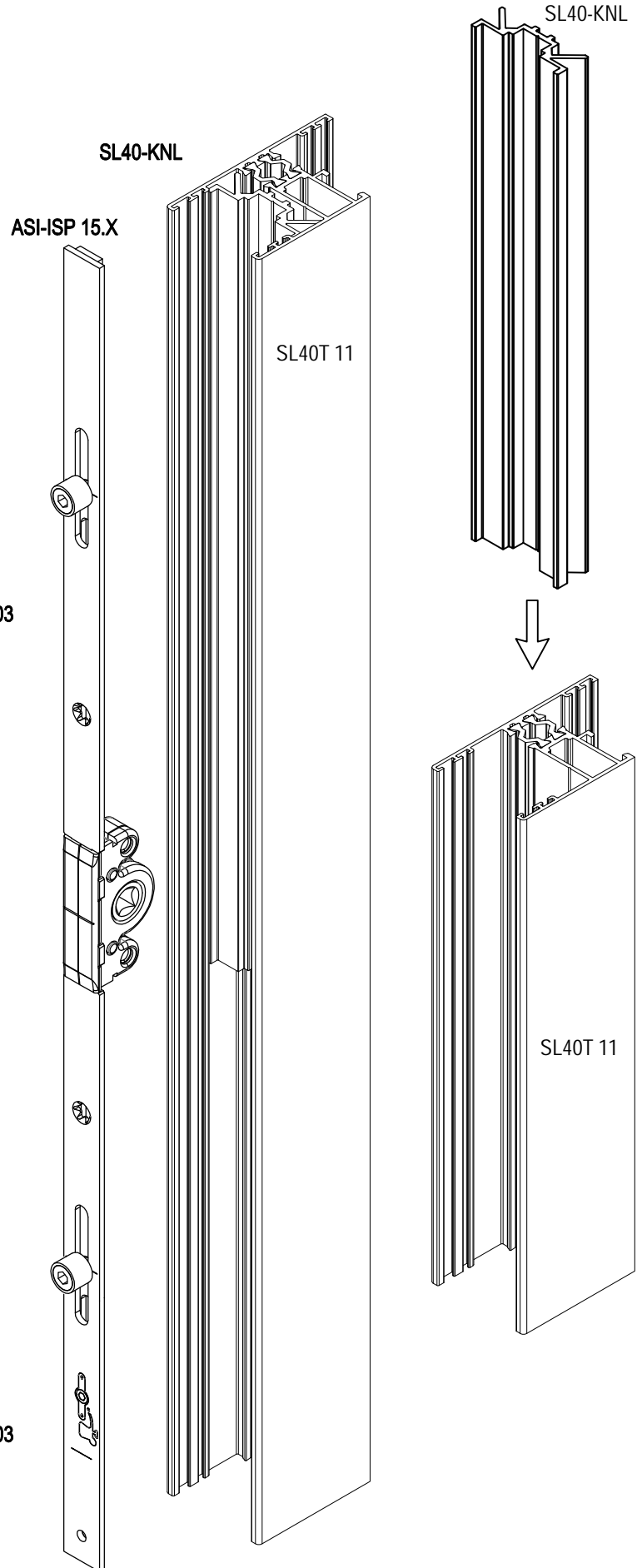
ASI-ISP15.3 (1800mm L K SPANYOLET Ç N)  
KANAT YÜKSEKL (sash height) > 1900mm  
SL40-KNL = 1800mm X 1 ADET  
ASI-ISP K03 = 3 ADET



ASI-WH 002



ASI-ISP K03

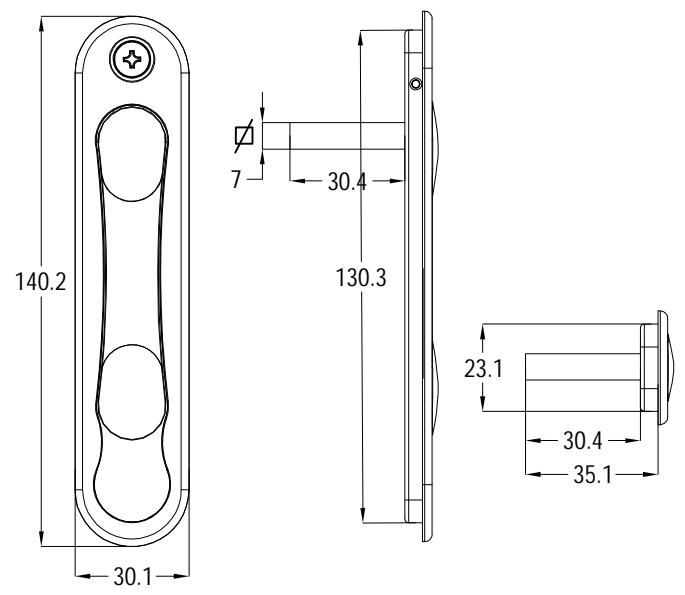
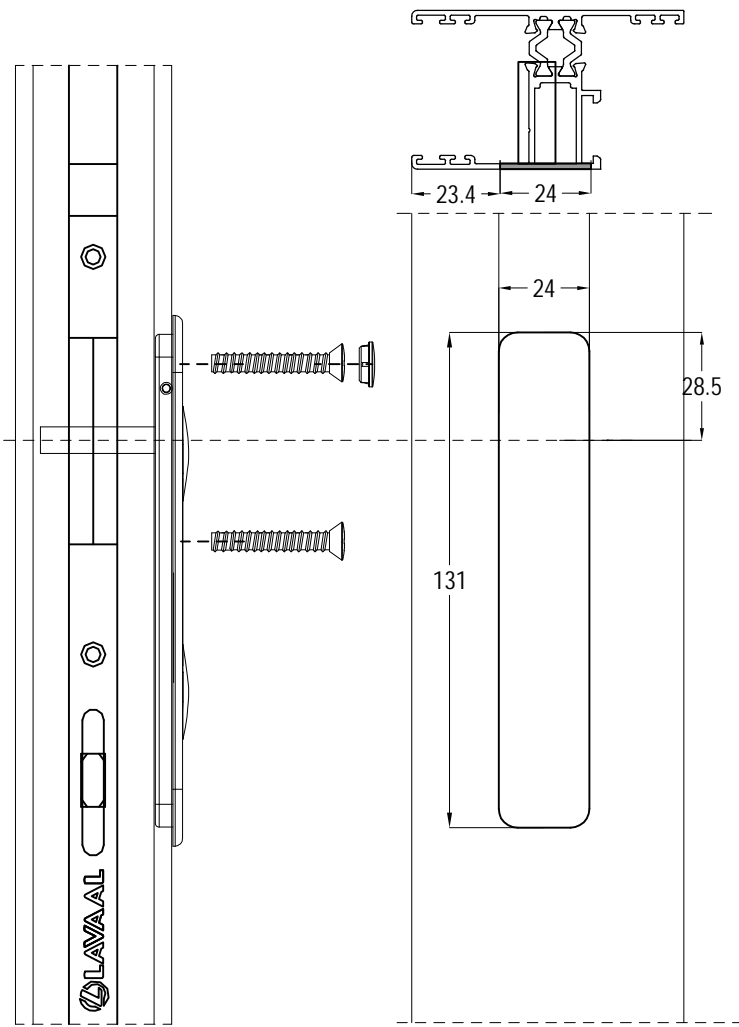
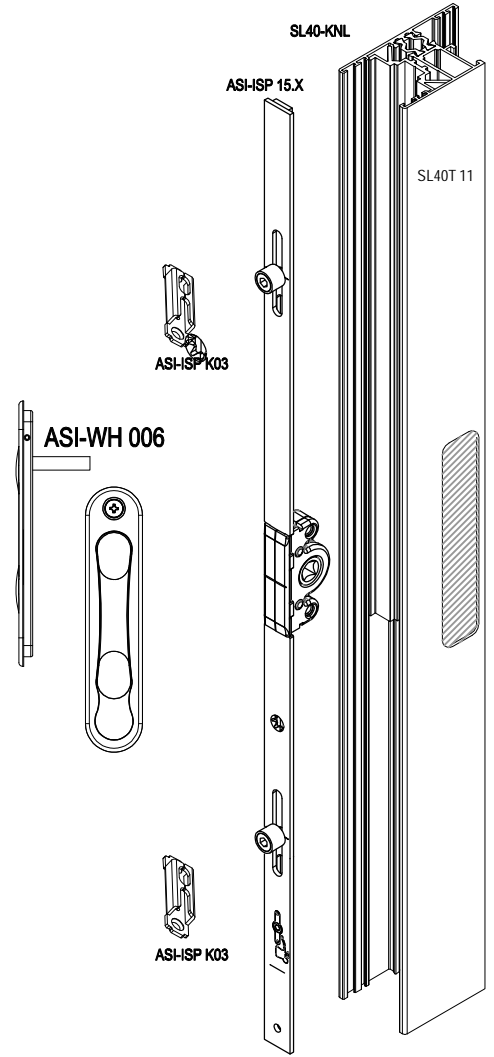
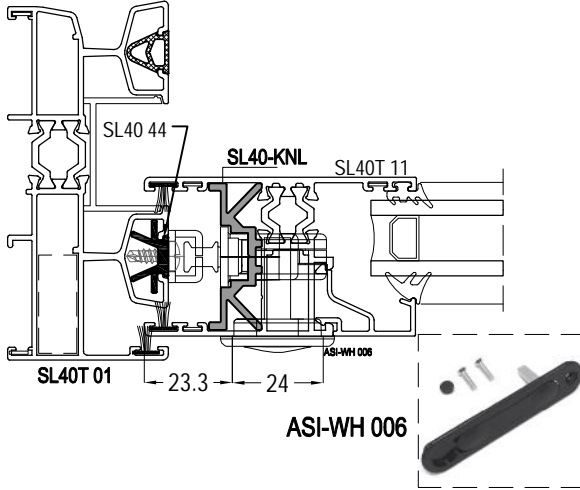


# SL40T - 1,4mm

ISI YALITIMLI SÜRME SİSTEM  
THERMAL SLIDING SYSTEM

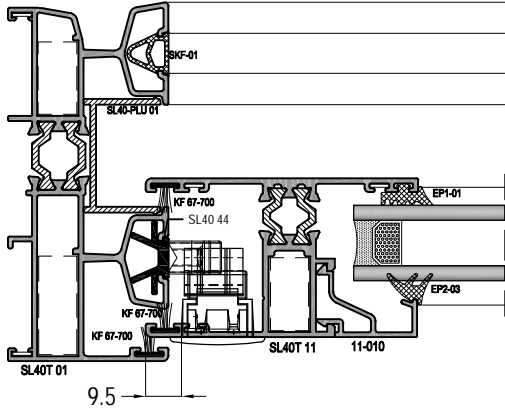


İSPANYOLET KİLİTLEME : ASI-ISP 15  
MULTI POINT LOCKING : ASI-ISP 15

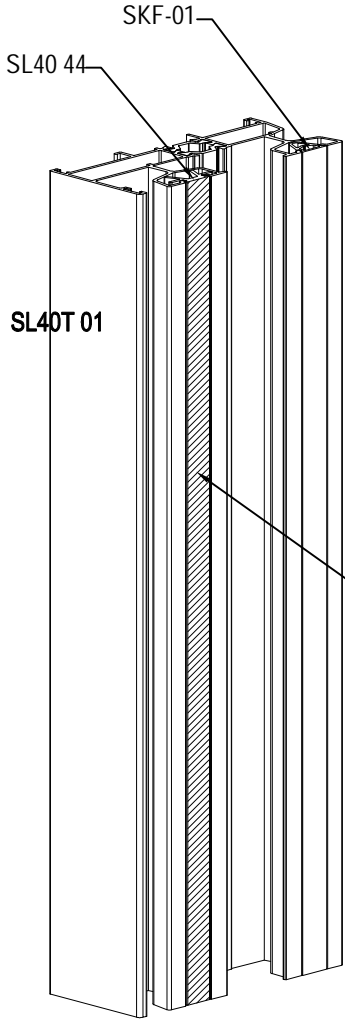
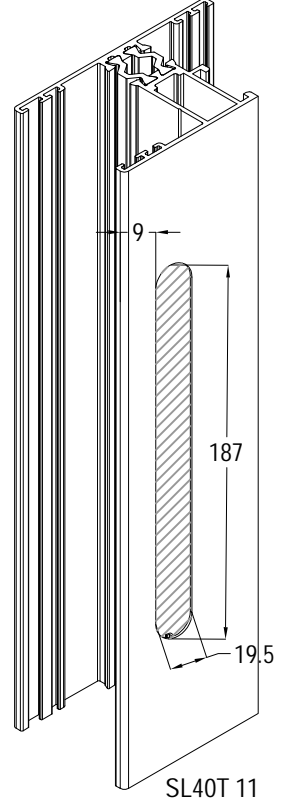
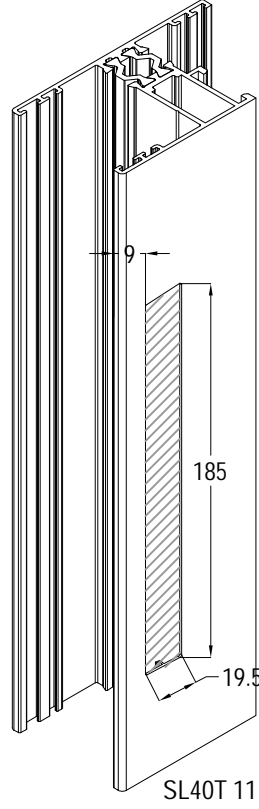


# SL40T - 1,4mm

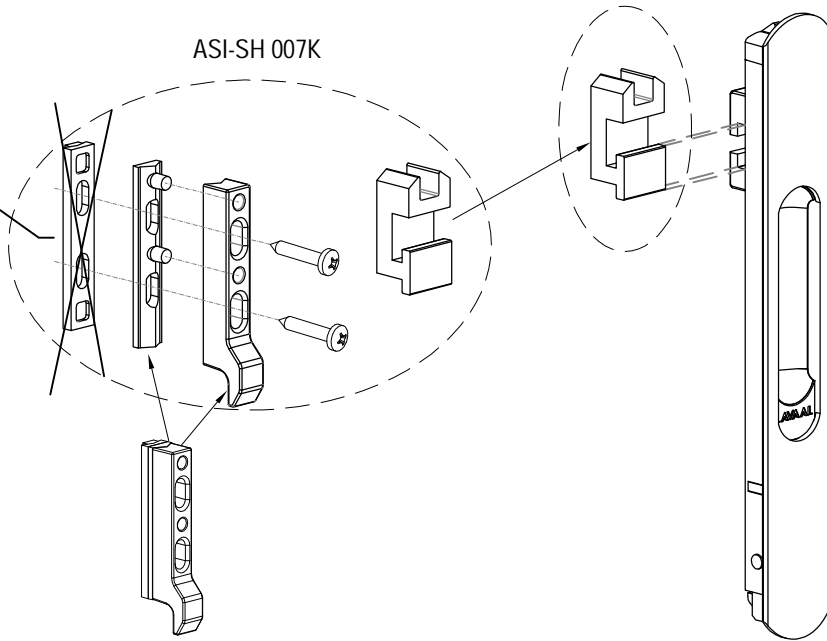
ISI YALITIMLI SÜRME SİSTEM  
THERMAL SLIDING SYSTEM



ASI-SH 007  
ASI-SH 007A  
ASI-SH 007B  
Ç N KOL YER KES M ÖLÇÜSÜ



ASI-SH 007K



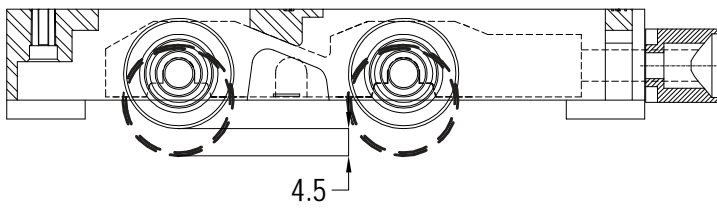
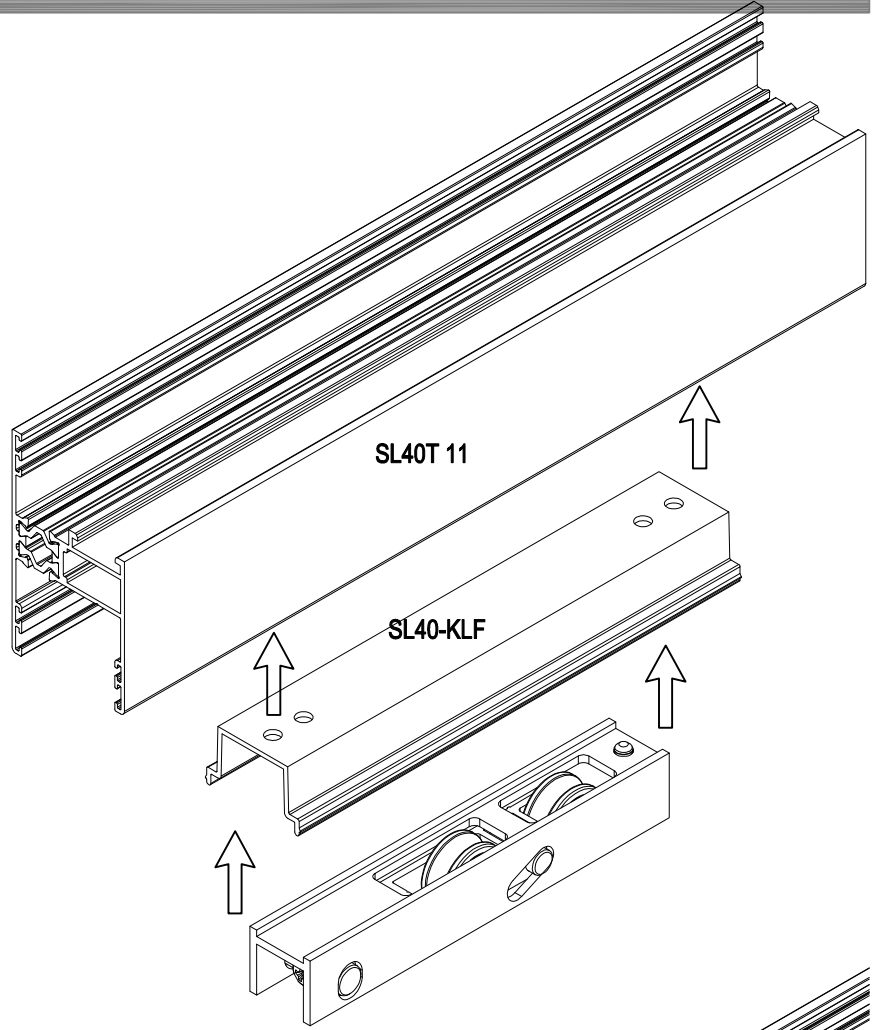
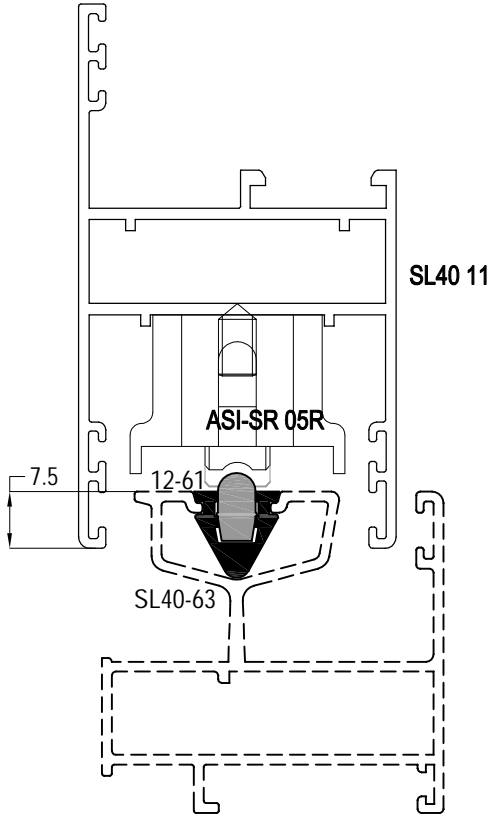
# SL40T - 1,4mm

ISI YALITIMLI SÜRME SİSTEMİ  
THERMAL SLIDING SYSTEM



RULMAN : ASI-SR 02 / ASI-SR 02R

ROLLER : ASI-SR 02 / ASI-SR 02R



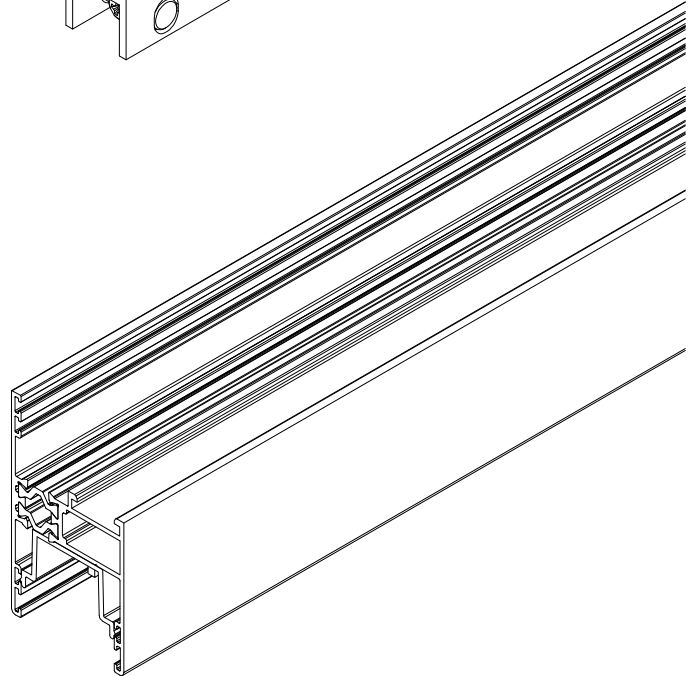
ASI-SR 05R - U T P RAY Ç N

TA İMA KAPASİTESİ = 80 kg

Carry Capacity = 80 kg

TEK KANAT Ç N = 160 kg

For Per Sash = 160 kg



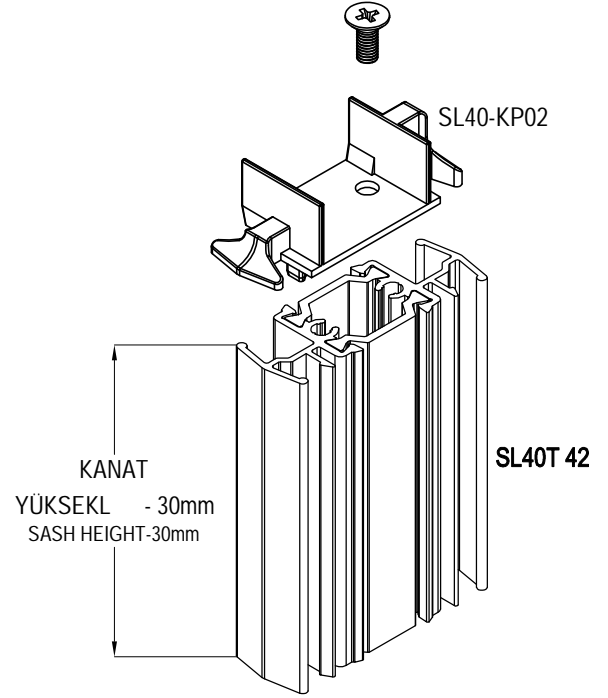
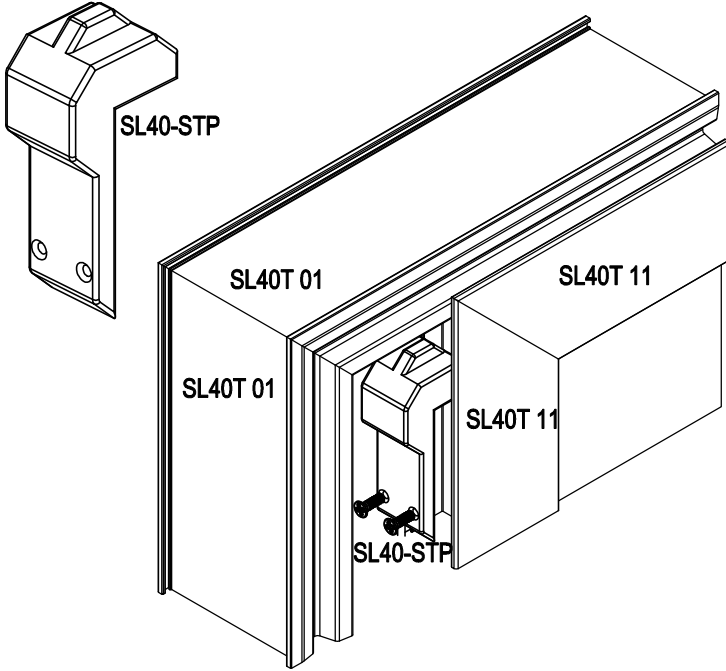
# SL40T - 1,4mm

ISI YALITIMLI SÜRME SİSTEM  
THERMAL SLIDING SYSTEM

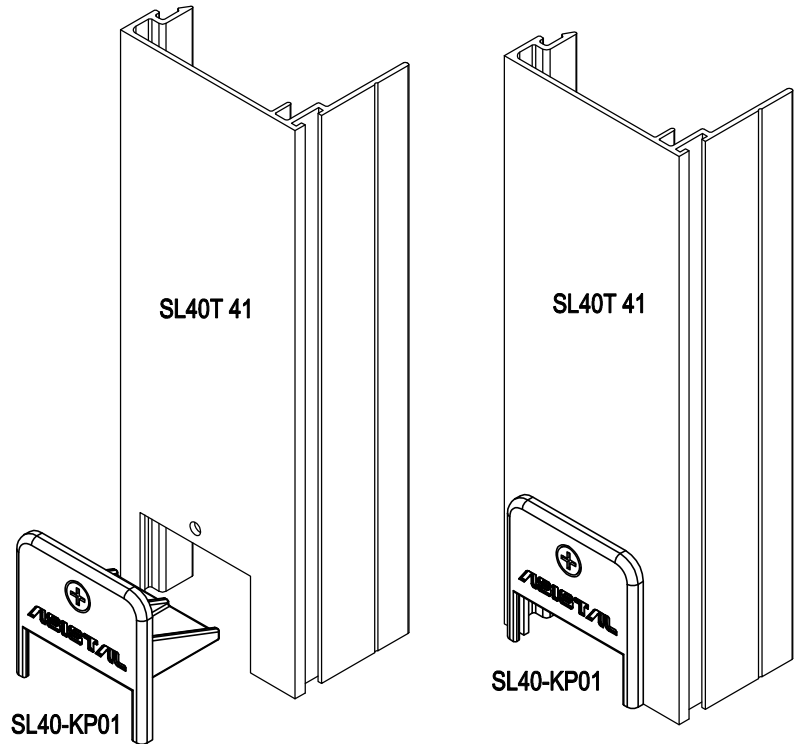
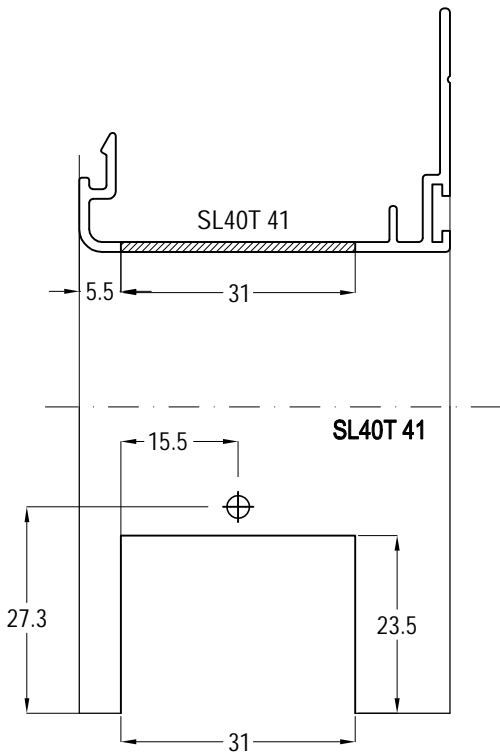


**KANAT GÜVENLİK PLASTİĞİ : SL40-STP**  
**ANTI LIFT DEVICE : SL40-STP**

**ADAPTÖR KAPAĞI : SL40-KP02**  
**MEETING STILE CAP : SL40-KP02**



**KENET KAPAĞI : SL40-KP01**  
**INTERLOCK PROFILE CAP : SL40-KP01**



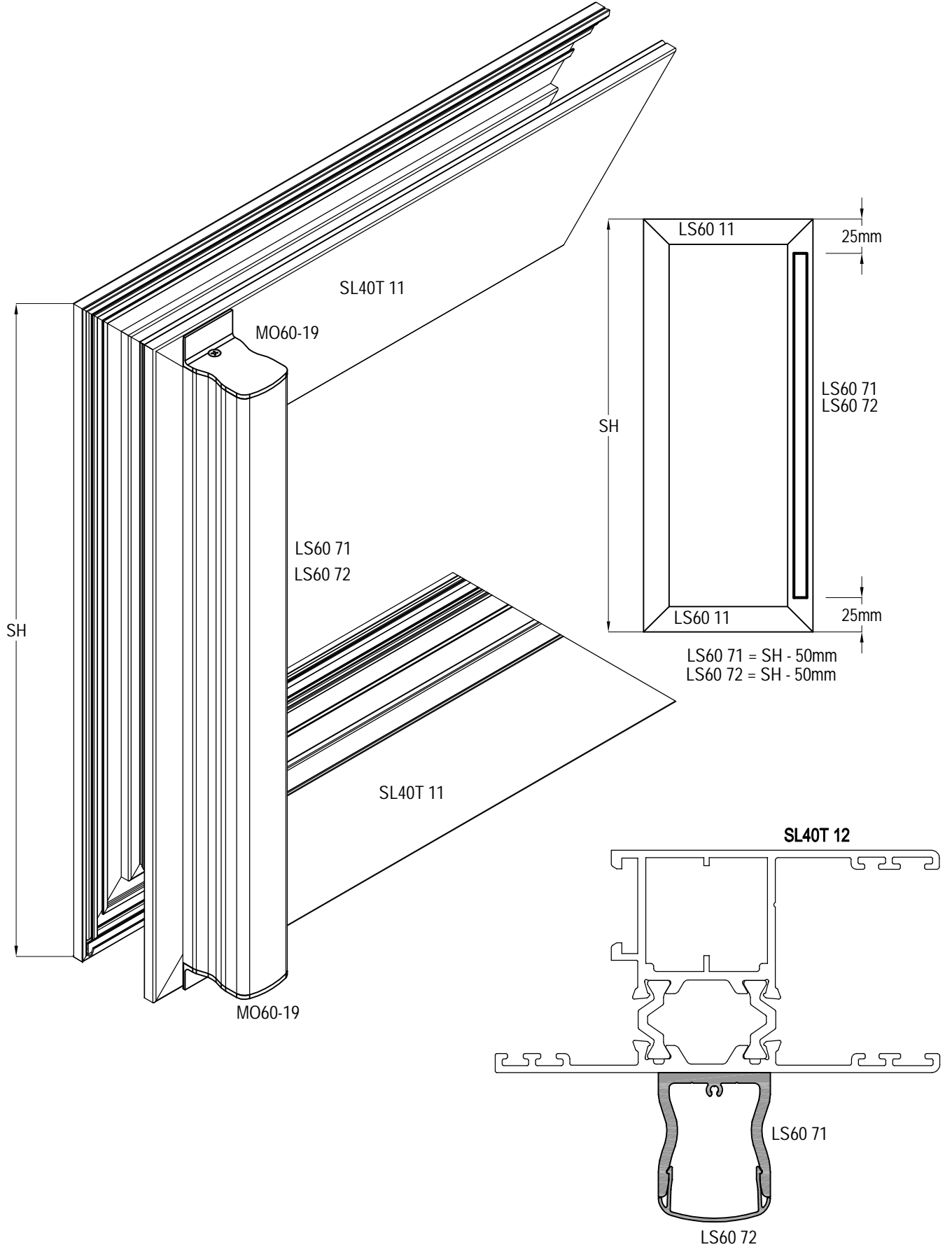


SL40T - 1,4mm

ISI YALITIMLI SÜRME SİSTEM  
THERMAL SLIDING SYSTEM

**ASISTAL**

TAKVİYE KOL PROFİLİ BAĞLANTI MONTAJI  
ASSEMBLY FOR HANDLE PROFILE

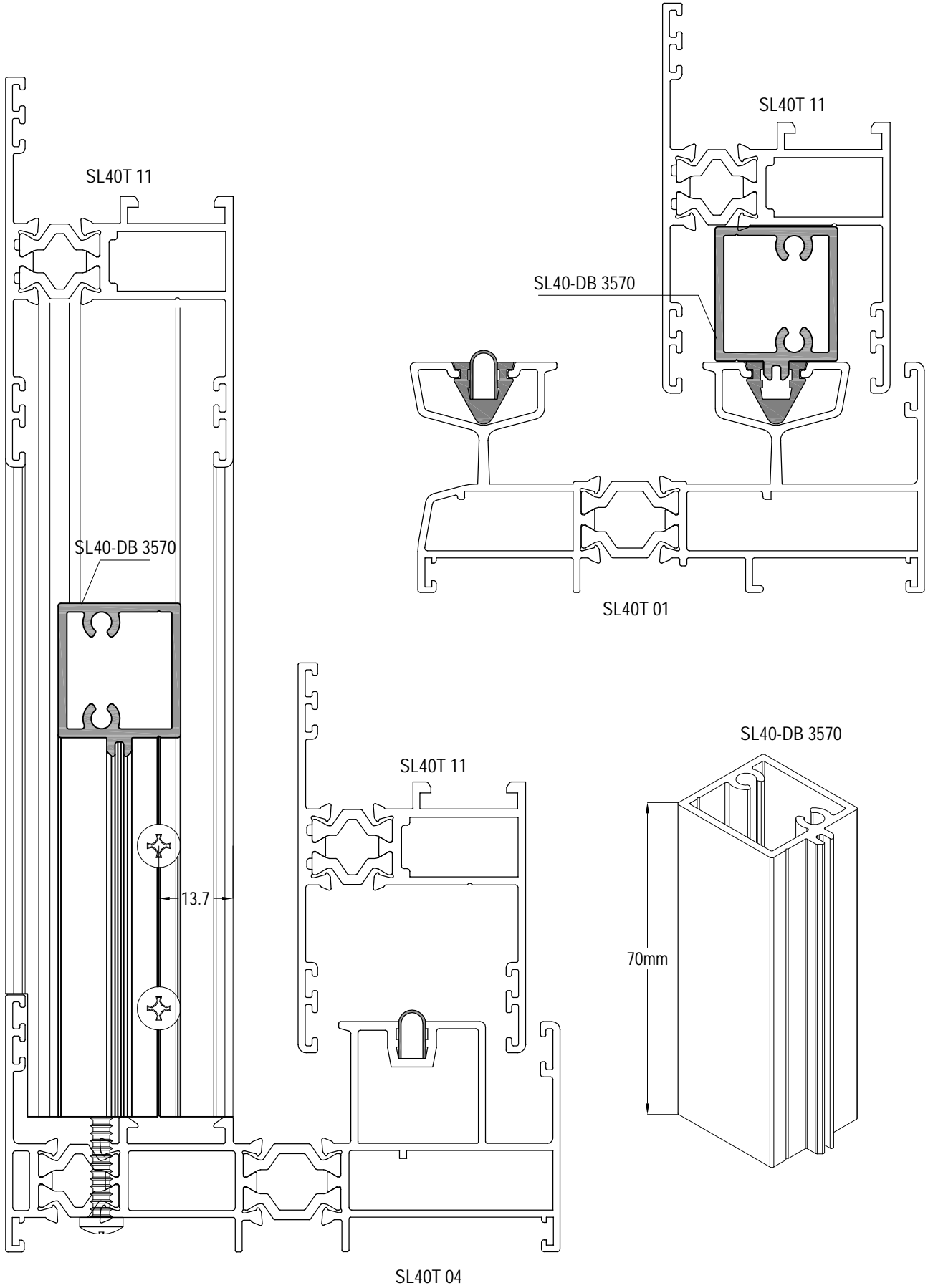


SL40T - 1,4mm

ISI YALITIMLI SÜRME SİSTEMİ  
THERMAL SLIDING SYSTEM

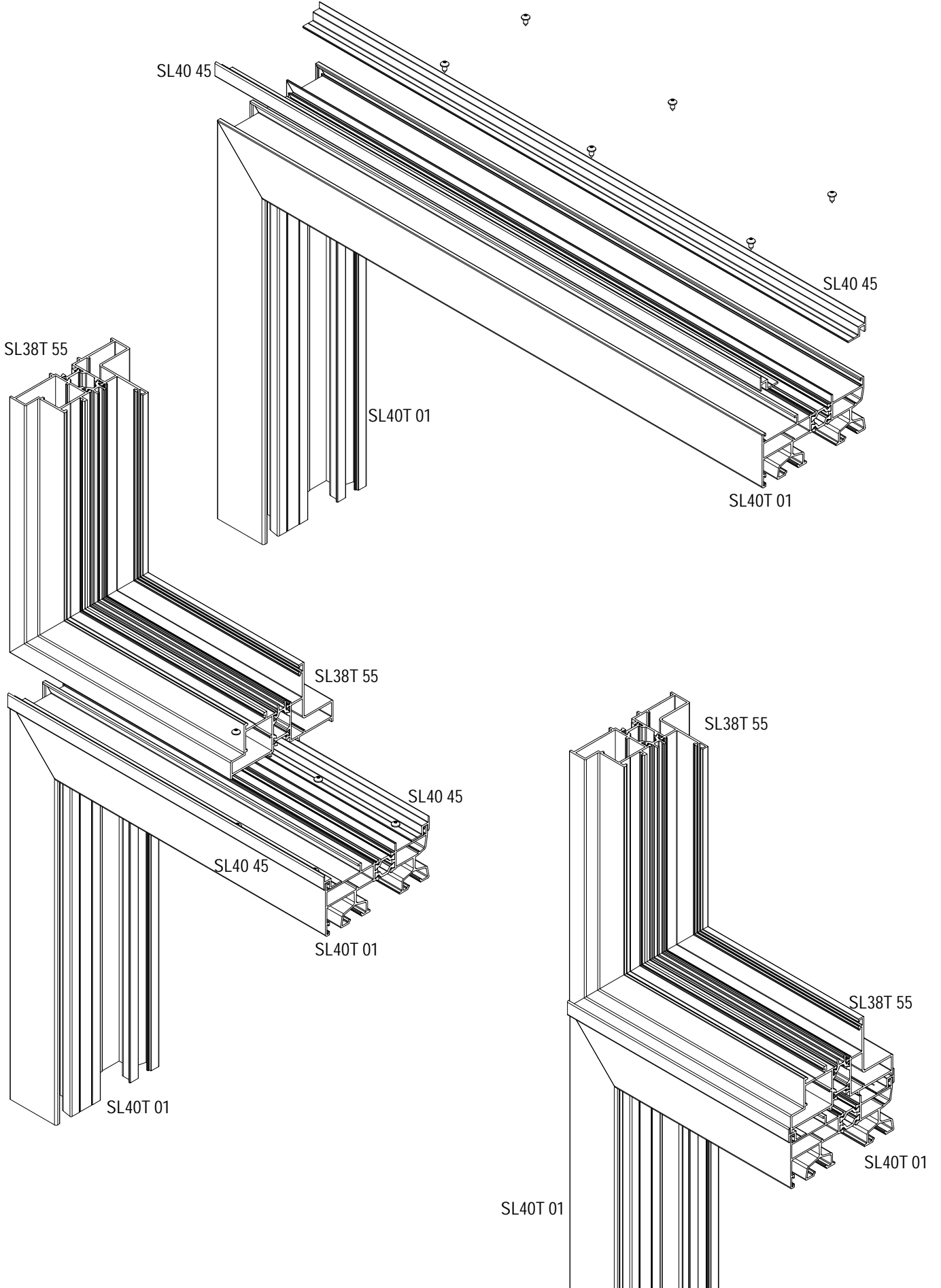


KANAT SABİTLEME MONTAJI  
ASSEMBLY FOR SASH FIXING



SL40T 04

### SL40T S STEMEN TH55 S STEME GEÇ KASASI FRAME PROFILE BETWEEN SL40T AND TH55 SYSTEM

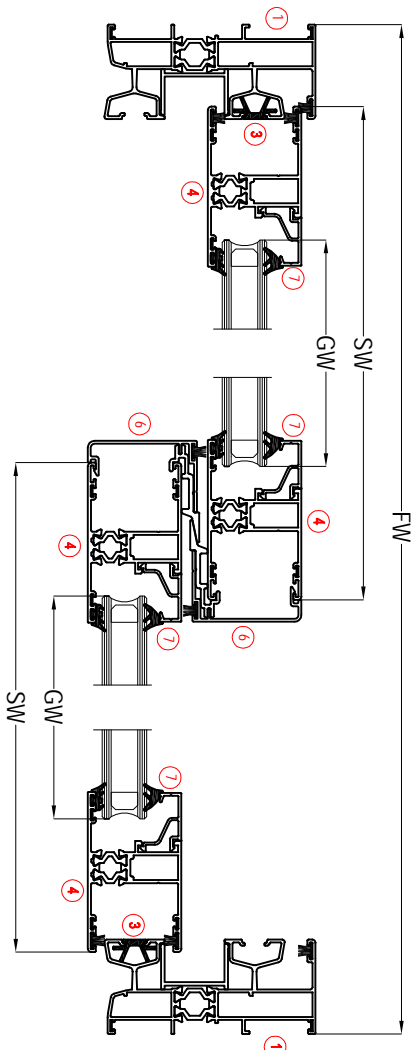


SL40T - 1,4mm

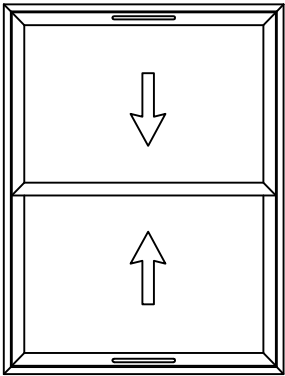
ISI YALITIMLI SÜRME SİSTEMİ  
THERMAL SLIDING SYSTEM



**KESİM VE MONTAJ ÇİZİMLERİ**  
***CUTTING & ASSEMBLY DRAWINGS***

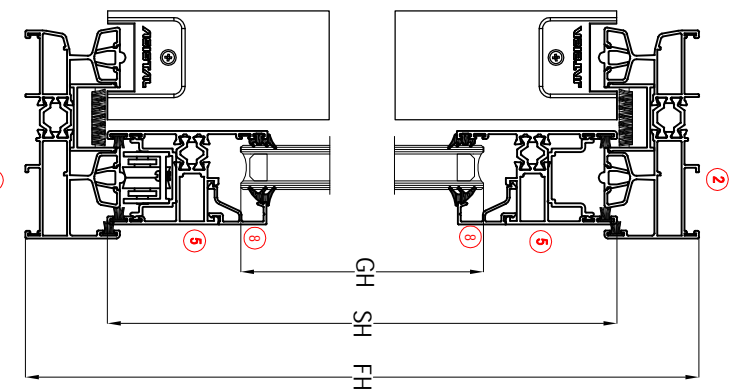


NORMAL SÜRME SİSTEMİ  
NORMAL SLIDING SYSTEM



SPANVOLET K.L. TİLEMESİ ÇİN AKSESUARLAR / ACCESSORIES FOR MULTI POINT LOCKING

MKTAR / ÜNİT	KOD / Code	PROF. L. ÇİZİM / Drawing	PROF. L. TANIMI / Description	KESİM ÖLÇÜSÜ / Cutting Dimensions
2 Adet / Pcs	ASHSP 15.3		SPANVOLET K.L. TİLEMESİ / Multi Point Lock	
6 Adet / Pcs	ASHSP K03		SPANVOLET K.L. T. KAR. İLİ / Multi Point Strike	
2 Adet / Pcs	ASHMH 002		SPANVOLET K.L. TİLEMESİ KOL / Window Handle	
2 Adet / Pcs	SL40 KNL		SPANVOLET K.L. TİLEMESİ KANAL PROF. L. / Multi Lock Profile	1800mm



### PROFİLLER / PROFILES

NO / Number	ADET / Unit	KOD / Code	PROF. L. ÇİZİM / Drawing	PROF. L. TANIMI / Description	KESİM ÖLÇÜSÜ / Cutting Dimensions
1	2	SL40T 01 SL40T 02		DU EY KASA PROF. L. / Vertical Frame Profile	FH
2	2	SL40T 01 SL40T 02		VAYTAY KASA PROF. L. / Horizontal Frame Profile	FW
3	2	SL40 44		KASA KANAL PROF. L. / Frame Channel Profile	FH
4	4	SL40T 11		DU EY KANAT PROF. L. / Vertical Sash Profile	SH=FH-70mm
5	4	SL40T 11		VAYTAY KANAT PROF. L. / Horizontal Frame Profile	SH=FW2 - 32mm
6	2	SL40T 41		KENET PROF. L. / Central Locking Profile	SL40T 41-SH
7	4	11 - 010		G1 = DU EY CAMI ÇİTİAŞI / Vertical Glazing Bead	SH-144mm
8	4	11 - 010		G2 = VAYTAY CAMI ÇİTİAŞI / Horizontal Glazing Bead	SH-1100mm
	2	SL40-PLZ 01		KENET PVC PROF. L. / Central Locking PVC Profile	SH
	2	SL40-PLU 01		VAYTAY KASA KANAL PVC / Horizontal PVC Channel Profile	FW-40mm
	2	SL40-PLU 01		DU EY KASA KANAL PVC / Vertical PVC Channel Profile	FH-40mm
	2	SL40 61		ALUMİNYUM RAY PROF. L. / Aluminium Rail Profile	FW-85

### FİLTRELER / GASKETS

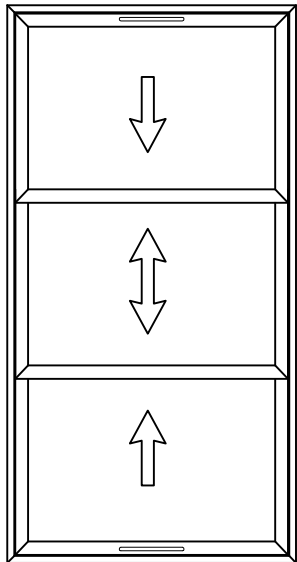
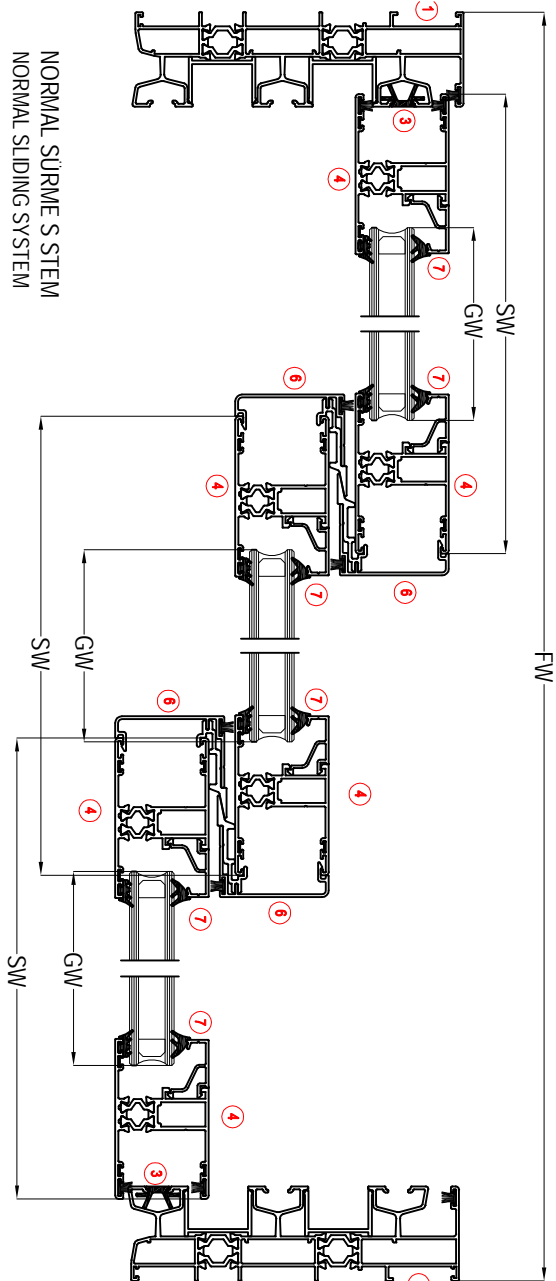
MKTAR / ÜNİT	KOD / Code	PROF. L. ÇİZİM / Drawing	PROF. L. TANIMI / Description	KESİM ÖLÇÜSÜ / Cutting Dimensions
ml	EP2-03		Ç CAMI F.T.L. / Inner Glazing Gasket	(4xG1)+(4xG2)
ml	EP1-01		DI CAMI F.T.L. / Outer Glazing Gasket	(4xG1)+(4xG2)
ml	SKF-01		KASA KANAL F.T.L. / Frame Gasket	(2xFH)+(2xFW) (6xSH)+(8xSU)* (2xTH)+(2xTW)
ml	KF 67-700		FIRÇA F.T.L. / Brush Gasket - 7mm	

### AKSESUARLAR / ACCESSORIES

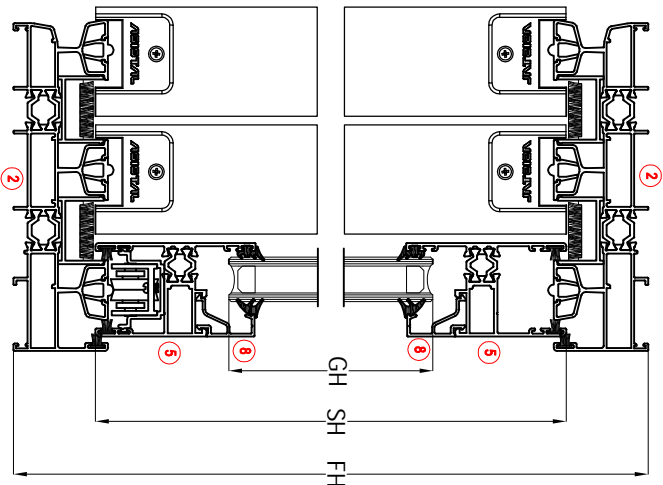
4 Adet / Pcs	ASL-STP 03		KANAT STOPER / Sash Stopper	
4 Adet / Pcs	SL40-KP01		KENET KAPA İ ALT-ÜST / Interlock Profile Cap Top-Bottom	
2 Adet / Pcs	ASL-SFP 01		ALT-ÜST HAVALAMA KESİCİ / EPDM / Bottom Top Weather Protector	
32 Adet / Pcs	ASL-SB 19		KO E GÖNYESİ / Corner Alignment	
4 Adet / Pcs	ASL-PP 1126 ASL-SKT 1126		KASA P.N.L. -PRESS BA. LANTİ / Frame Corner Joint with Buldon	
12 Adet / Pcs	ASL-SKT 1119		P.N.L. -PRESS BA. LANTİ / Corner Joint with Buldon	
4 Adet / Pcs	ASL-SR 05R		AVARUÇ F.T.L. RULMAN / Double Sliding Roller	
4 Adet / Pcs	SL40-KLF		RULMAN ADAPTOR PARÇASI / Roller Adapter	

### CAM KESİM ÖLÇÜLERİ / GLASS CUTTING SIZES

KOD / Code	TANIMI / Description	KESİM ÖLÇÜSÜ / Cutting Dimensions
GW	CAM GENİ L K / Sash Glass Width	GW = SW - 110mm
GH	CAM YÜKSEKLİĞİ / Sash Glass Height	GH = SH - 110mm



SPANVOLET K.L. TLEMME ÇİN AKSESUARLAR / ACCESSORIES FOR MULTI POINT LOCKING			
MKTAR / Unit	KOD / Code	PROF. L. ÇİZİM / Drawing	PROF. L. TANIMI / Description
2 Adet / Pcs	ASISHP 15.3		SPANVOLET K.L. TLEMME / Multi Point Lock
6 Adet / Pcs	ASISHP K03		SPANVOLET K.L. T. KAR. İLİ / Multi Point Strike
2 Adet / Pcs	ASISHP 002		SPANVOLET K.L. TLEMME KOL / Window Handle
2 Adet / Pcs	SL40 KNL		SPANVOLET K.L. TLEMME KANAL PROF. L. / Multi Lock Profile
HAVUZLU KOL KULLANIM AKSESUARLARI / ACCESSORIES FOR EMBEDDED HANDLES			
2 Adet / Pcs	ASISH 007		HAVUZ KOL / Embedded Handle
2 Adet / Set	ASISH 007K		HAVUZLU KOL KAR. İLİK / Embedded Handle Strike
KESİM ÖLÇÜSÜ / Cutting Dimensions			
1800mm			

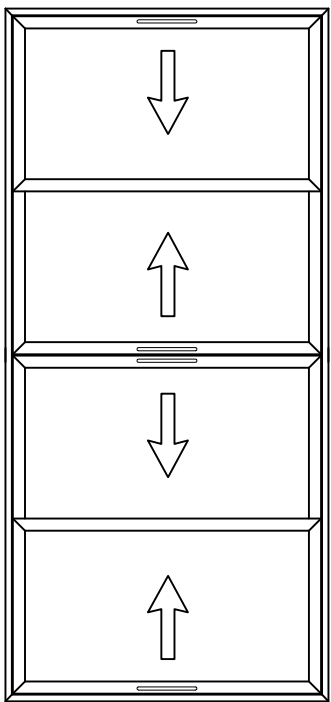
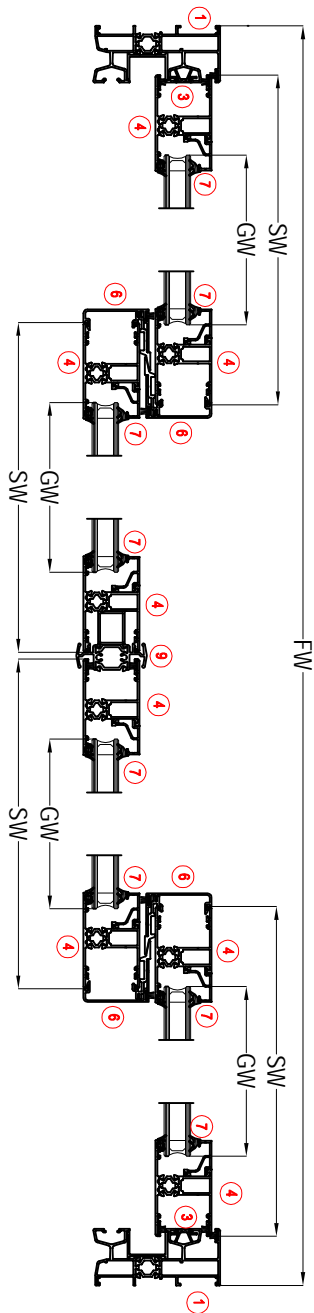


PROFİLLER / PROFILES					
NO / Number	ADET / Unit	KOD / Code	PROF. L. ÇİZİM / Drawing	PROF. L. TANIMI / Description	KESİM ÖLÇÜSÜ / Cutting Dimensions
1	2	SL40T 03		DU EY KASA PROF. L. / Vertical Frame Profile	FH
2	2	SL40T 05		YATAY KASA PROF. L. / Horizontal Frame Profile	FW
3	2	SL40 44		KASA KANAL PROF. L. / Frame Channel Profile	FH
4	6	SL40T 11		DU EY KANAT PROF. L. / Vertical Sash Profile	SH=FW-70mm
5	6	SL40T 11		YATAY KANAT PROF. L. / Horizontal Frame Profile	SW=FW3 + 18mm
6	4	SL40T 41		KENET PROF. L. / Central Locking Profile	SL40T 41-SH
7	6	11-010		G1 = DU EY CAM ÇİTAŞI / Vertical Glazing Bead	SH - 144mm
8	6	11-010		G2 = YATAY CAM ÇİTAŞI / Horizontal Glazing Bead	SW - 100mm
	4	SL40-PLZ 01		KENET PVC PROF. L. / Central Locking PVC Profile	SH
	4	SL40-PLU 01		YATAY KASA KANAL PVC / Horizontal PVC Channel Profile	FW-40mm
	4	SL40-PLU 01		DU EY KASA KANAL PVC / Vertical PVC Channel Profile	FW-40mm
	3	SL40 61		ALUMİNYUM RAY PROF. L. / Aluminium Rail Profile	FW-85

FİTİLLER / GASKETS				
MKTAR / Unit	KOD / Code	PROF. L. ÇİZİM / Drawing	PROF. L. TANIMI / Description	KESİM ÖLÇÜSÜ / Cutting Dimensions
mt	EP2-03		Ç CAM F.T.L. / Inner Glazing Gasket	(6xG1)-(6xG2)
mt	EP1-01		DI CAM F.T.L. / Outer Glazing Gasket	(6xG1)+(6xG2)
mt	SKF-01		KASA KANAL F.T.L. / Frame Gasket	(4xFH)+(4xFW)
mt	KF 67-700		FİRÇA F.T.L. / Brush Gasket - 7mm	(8xSH)-(12xSW)* (2xTH)+(2xFW)

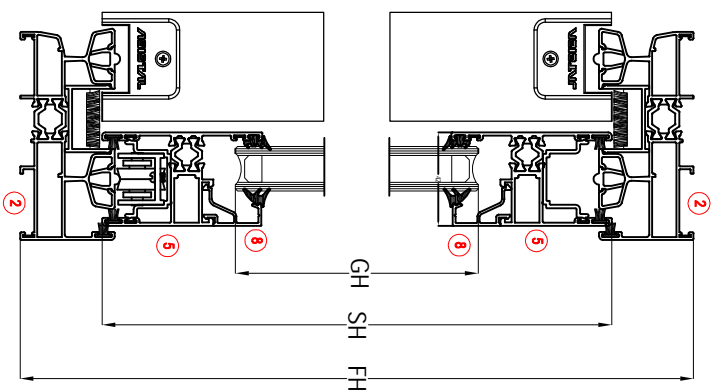
AKSESUARLAR / ACCESSORIES			
MKTAR / Pcs	ASIS-STP 03		KANAT STOPER / Sash Stopper
8 Adet / Pcs	SL40-KP01		KENET KAPAĞI ALT-ÜST / Interlock Profile Cap Top-Bottom
4 Adet / Pcs	ASIS-SFP 01		ALT-ÜST HAVA KESİCİ EPDM / Bottom Top Weather Fastener
44 Adet / Pcs	ASIS-SB 19		KO E GÖNYESİ / Corner Alignment
8 Adet / Pcs	ASIS-PP 1126		KASA P.N.L. -PRESS BAĞLANTI / Frame Corner Joint with Button
16 Adet / Pcs	ASIS-PP 1119		P.N.L. -PRESS BAĞLANTI / Corner Joint with Button
6 Adet / Pcs	ASIS-SR 05R		AVRULU ÇİFT RULMAN / Double Sliding Roller
6 Adet / Pcs	SL40-KLF		RULMAN ADAPTOR PARÇASI / Roller Adapter

CAM KESİM ÖLÇÜLERİ / GLASS CUTTING SIZES			
KOD / Code	TANIMI / Description	KESİM ÖLÇÜSÜ / Cutting Dimensions	
GW	CAM GENİRLİK / Sash Glass Width	GW = SW - 110mm	
GH	CAM YÜKSEKLİĞİ / Sash Glass Height	GH = SH - 110mm	



SPANVOLET K.L. TLEME ÇİĞN AKSESUARLARI / ACCESSORIES FOR MULTI POINT LOCKING			
MKTAR / Unit	KOD / Code	PROF. L. TANIMI / Description	KESİM ÖLÇÜSÜ / Cutting Dimensions
3 Adet / Pcs	ASHSP 15.3	SPANVOLET K.L. TLEME / Multi Point Lock	
9 Adet / Pcs	ASHSP K03	SPANVOLET K.L. T. KAR. İLİ / Multi Point Strike	
3 Adet / Pcs	ASHWH 002	SPANVOLET K.L. TLEME KOL / Window Handle	
3 Adet / Pcs	SL40KNL	SPANVOLET K.L. TLEME KANAL PROF. L. / Multi Lock Profile	1800mm
HAUVUZLU KOL KULLANIM AKSESUARLARI / ACCESSORIES FOR EMBEDDED HANDLES			
3 Adet / Pcs	ASHSH 007	HAUVUZ KOL / Embedded Handle	
3 Takım / Set	ASHSH 007K	HAUVUZLU KOL KAR. İLİK / Embedded Handle Strike	

CAM KESİM ÖLÇÜLERİ / GLASS CUTTING SIZES		KESİM ÖLÇÜSÜ / Cutting Dimensions	
KOD / Code	TANIMI / Description	GW=SW - 10mm	GH=SH - 10mm
GW	CAM GEN. L. K. / Sash Glass Width		
GH	CAM YÜKSEKLİĞİ / Sash Glass Height		



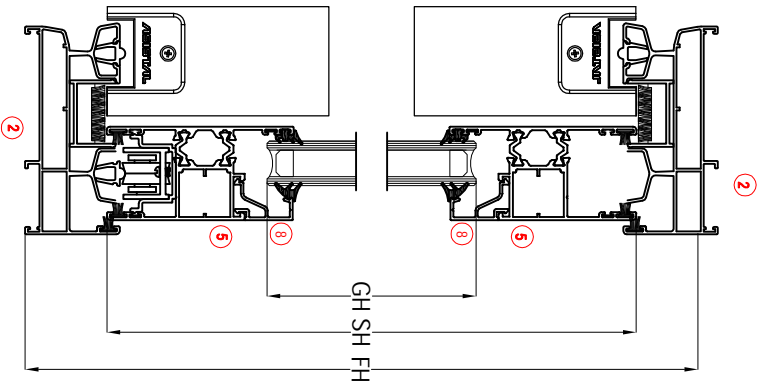
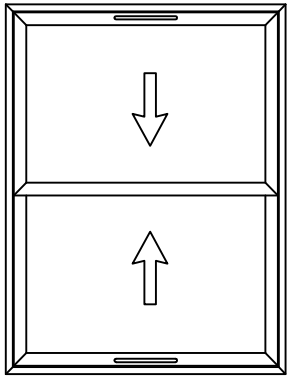
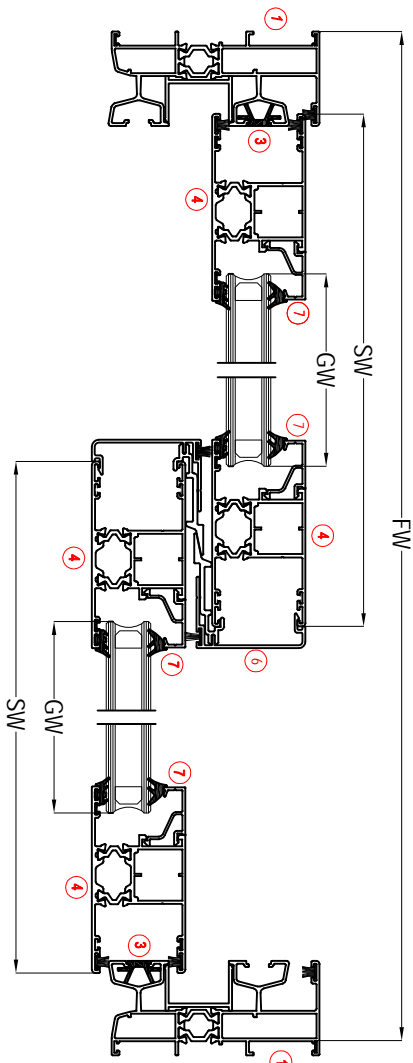
PROFİLLER / PROFILES				
NO / Number	ADET / Unit	KOD / Code	PROF. L. TANIMI / Description	KESİM ÖLÇÜSÜ / Cutting Dimensions
1	2	SL40T 01	DU EY KASA PROF. L. / Vertical Frame Profile	FH
2	2	SL40T 02	YATAY KASA PROF. L. / Horizontal Frame Profile	FW
3	2	SL40 44	KASA KANAL PROF. L. / Frame Channel Profile	FH
4	8	SL40T 11	DU EY KANAT PROF. L. / Vertical Sash Profile	SH=FW-70mm
5	8	SL40T 11	YATAY KANAT PROF. L. / Horizontal Frame Profile	FW=FW+12.5mm
6	4	SL40T 41	KENET PROF. L. / Central Locking Profile	SL40T 41-SH
7	8	11-010	G1= DU EY CAM ÇİTİSİ / Vertical Glazing Bead	SH - 144mm
8	8	11-010	G2= YATAY CAM ÇİTİSİ / Horizontal Glazing Bead	SW - 100mm
9	1	SL40T 42	ADAPTOR PROF. L. / Adapter Profile	SH-30
4	4	SL40 PLZ 01	KENET PVC PROF. L. / Central Locking PVC Profile	SH
2	2	SL40-PLU01	YATAY KASA KANAL PVC / Horizontal PVC Channel Profile	FW-40mm
2	2	SL40-PLU 01	DU EY KASA KANAL PVC / Vertical PVC Channel Profile	FH-40mm
2	2	SL40 61	ALUMİNYUM RAY PROF. L. / Aluminium Rail Profile	FW-85

### FİLTRELER / GASKETS

MKTAR / Unit	KOD / Code	PROF. L. TANIMI / Description	KESİM ÖLÇÜSÜ / Cutting Dimensions
mt	EP2-03	ÇİĞNME FİLTRE / Inner Glazing Gasket	(8xG1)+(8xG2)
mt	EP1-01	DIŞI CAM FİLTRE / Outer Glazing Gasket	(8xG1)+(8xG2)
mt	SKF-01	KASA KANAL FİLTRE / Frame Gasket	(2x(FH-12xFW))
mt	KF 67-700	FİRÇA FİLTRE / Brush Gasket - 7mm	(10xSH)+(8xSW)+(2xFH)+(2xFW)
AKSESUARLAR / ACCESSORIES			
6 Adet / Pcs	ASHSTP 03	KANAT DÜŞÜRME / Sash Stopper	
8 Adet / Pcs	SL40KP01	KENET KAPAĞI / ADET-ÜST / Interlock Profile Cap Top-Bottom	
4 Adet / Pcs	ASHSP 01	ALT-ÜST HAVA KESİCİ / EPDM / Bottom-Top Weather Protector	
56 Adet / Pcs	ASHSB 19	KÖNEK / Corner Alignment	
4 Adet / Pcs	ASHPB 1126	KASA PİMLERİ - PİRESS BAĞLI / LANTİ / Frame Corner Joint with Bulbion	
20 Adet / Pcs	ASHPT 1119	PİMLER - PİRESS BAĞLI / LANTİ / Corner Joint with Bulbion	
8 Adet / Pcs	ASHSR 08R	AVRUKLU ÇİFT RULMAN / Double Sliding Roller	
8 Adet / Pcs	SL40K1F	RULMAN ADAPTOR PARÇASI / Roller Adapter	
2 Adet / Pcs	SL40KP2	4 LU KANAT K.L. TLEME ADAPTOR KAPAĞI / Meeting Sife Cap Adapter	







SPANVOLET K.L. TLEMME ÇİN AKSESUARLAR / ACCESSORIES FOR MULTI POINT LOCKING				
MKTAR / Unit	KOD / Code	PROF. L. ÇİZİM / Drawing	PROF. L. TANIMI / Description	KESİM ÖLÇÜSÜ / Cutting Dimensions
2 Adet / Pcs	ASH-SP 15.3		SPANVOLET K.L. TLEMME / Multi Point Lock	
6 Adet / Pcs	ASH-SP K03		SPANVOLET K.L. T. KAR. İLİ / Multi Point Strike	
2 Adet / Pcs	ASH-VH 002		SPANVOLET K.L. TLEMME KOL / Window Handle	
2 Adet / Pcs	SL40-KNL		SPANVOLET K.L. TLEMME KANAL PROF. L. / Multi Lock Profile	1800mm
HAVUZLU KOL KULLANIM AKSESUARLARI / ACCESSORIES FOR EMBEDDED HANDLES				
2 Adet / Pcs	ASH-SH 007		HAVUZ KOL / Embedded Handle	
2 Adet / Set	ASH-SH 007K		HAVUZLU KOL KAR. İLİK / Embedded Handle Strike	

### PROFİLLER / PROFILES

NO / Number	ADET / Unit	KOD / Code	PROF. L. ÇİZİM / Drawing	PROF. L. TANIMI / Description	KESİM ÖLÇÜSÜ / Cutting Dimensions
1	2	SL40T 01 SL40T 02		DU EY KASA PROF. L. / Vertical Frame Profile	FH
2	2	SL40T 01 SL40T 02		YATAY KASA PROF. L. / Horizontal Frame Profile	FW
3	2	SL40 44		KASA KANAL PROF. L. / Frame Channel Profile	FH
4	4	SL40T 12		DU EY KANAT PROF. L. / Vertical Sash Profile	SH=FH-70mm
5	4	SL40T 12		YATAY KANAT PROF. L. / Horizontal Frame Profile	SH=FW/2+2.1mm
6	2	SL40T 41		KENET PROF. L. / Central Locking Profile	SL40T 41-SH
7	4	11 - 010		G1 = DU EY CAM ÇİTİ AŞI / Vertical Glazing Bead	SH-167mm
8	4	11 - 010		G2 = YATAY CAM ÇİTİ AŞI / Horizontal Glazing Bead	SH-124mm
	2	SL40-PLZ 02		KENET PVC PROF. L. / Central Locking PVC Profile	SH
	2	SL40-PLU 01		YATAY KASA KANAL PVC / Horizontal PVC Channel Profile	FW-40mm
	2	SL40-PLU 01		DU EY KASA KANAL PVC / Vertical PVC Channel Profile	FH-40mm
	2	SL40 61		ALUMİNYUM RAY PROF. L. / Aluminium Rail Profile	FW-85

### FİLTRELER / GASKETS

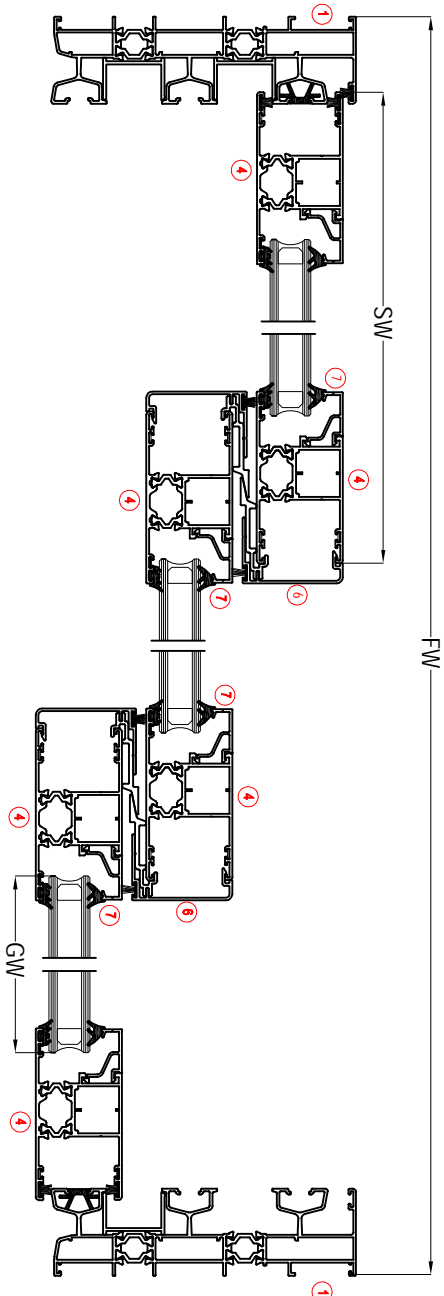
MKTAR / Unit	KOD / Code	PROF. L. ÇİZİM / Drawing	PROF. L. TANIMI / Description	KESİM ÖLÇÜSÜ / Cutting Dimensions
ml	EP2-03		Ç CAM F.T.L. / Inner Glazing Gasket	(4xG1)+(4xG2)
ml	EP1-01		DI CAM F.T.L. / Outer Glazing Gasket	(2xH)+(2xFW)
ml	SKF-01		KASA KANAL F.T.L. / Frame Gasket	(6xSH)+(8xSW)+(2xTH)+(2xRW)
ml	KF 67-700		FIRÇA F.T.L. / Brush Gasket - 7mm	

### AKSESUARLAR / ACCESSORIES

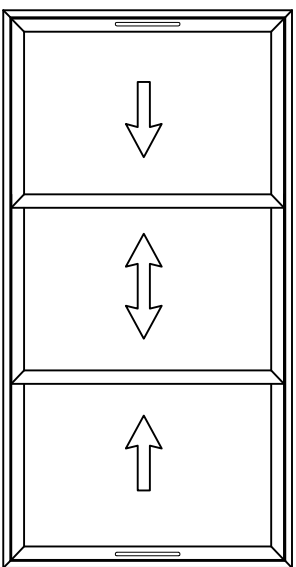
4 Adet / Pcs	ASH-STP 03		KANAT STOPER / Sash Stopper	
4 Adet / Pcs	SL40-KP01		KENET KAPAĞI ALT-ÜST / Interlock Profile Cap Top-Bottom	
2 Adet / Pcs	ASH-SFP 01		ALT-ÜST HAVA KESİCİ EPDM / Bottom Top Weatherstripping	
32 Adet / Pcs	ASH-SB 19		KO E GÖNYESİ / Corner Alignment	
4 Adet / Pcs	ASH-PP 1126 ASH-KT 1126		KASA P.NL.-PRESS BAĞLANTI / Frame Corner Joint with Bulbion	
12 Adet / Pcs	ASH-PT 1119 ASH-KT 1119		P.NL.-PRESS BAĞLANTI / Corner Joint with Bulbion	
4 Adet / Pcs	ASH-SR 05R		AVRULU ÇFTL RULMAN / Double Sliding Roller	
4 Adet / Pcs	SL40-KLF		RULMAN ADAPTOR PARÇASI / Roller Adapter	

### CAM KESİM ÖLÇÜLERİ / GLASS CUTTING SIZES

KOD / Code	TANIMI / Description	KESİM ÖLÇÜSÜ / Cutting Dimensions
GW	CAM GENİRLİK / Sash Glass Width	GW=SW-134mm
GH	CAM YÜKSEKLİK / Sash Glass Height	GH=SH-134mm



PROFİLLER / PROFILES					
NO / Number	ADET / Unit	KOD / Code	PROFİL ÇİZİM / Drawing	PROFİL TANIMI / Description	KESİM ÖLÇÜSÜ / Cutting Dimensions
1	2	SL40T 03		DU EY KASA PROF. L / Vertical Frame Profile	FH
2	2	SL40T 05		YATAY KASA PROF. L / Horizontal Frame Profile	FW
3	2	SL40 44		KASA KANAL PROF. L / Frame Channel Profile	FH
4	6	SL40T 12		DU EY KANAT PROF. L / Vertical Sash Profile	SH=FH-70mm
5	6	SL40T 12		YATAY KANAT PROF. L / Horizontal Frame Profile	SH=FW+3 ± 20mm
6	4	SL40T 41		KENET PROF. L / Central Locking Profile	SL40T 41-SH
7	6	11-010		G1 = DU EY CAMI ÇİTAŞI / Vertical Glazing Bead	SH=167mm
8	6	11-010		G2 = YATAY CAM ÇİTAŞI / Horizontal Glazing Bead	SH=124mm
	4	SL40-PLZ 02		KENET PVC PROF. L / Central Locking PVC Profile	SH
	4	SL40-PLU 01		YATAY KASA KANAL PVC / Horizontal PVC Channel Profile	FW=40mm
	4	SL40-PLU 01		DU EY KASA KANAL PVC / Vertical PVC Channel Profile	FH=40mm
	3	SL40 61		ALUMİNYUM RAY PROF. L / Aluminium Rail Profile	FW=85

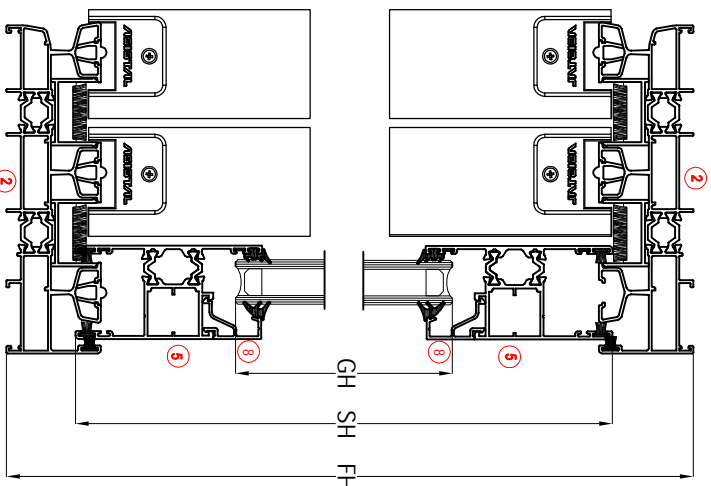


### SPANVOLET K.L. TLEMME ÇİN AKSESUARLAR / ACCESSORIES FOR MULTI POINT LOCKING

MKTAR / Unit	KOD / Code	PROFİL ÇİZİM / Drawing	PROFİL TANIMI / Description	KESİM ÖLÇÜSÜ / Cutting Dimensions
2 Adet / Pcs	ASHSP 15.3		SPANVOLET K.L. TLEMME / Multi Point Lock	
6 Adet / Pcs	ASHSP K03		SPANVOLET K.L. T. KAR. İLİ / Multi Point Strike	
2 Adet / Pcs	ASH-MH 002		SPANVOLET K.L. TLEMME KOL / Window Handle	
2 Adet / Pcs	SL40-KNL		SPANVOLET K.L. TLEMME KANAL PROFİL / Multi Lock Profile	1800mm

### HAVUZLU KOL KULLANIM AKSESUARLARI / ACCESSORIES FOR EMBEDDED HANDLES

2 Adet / Pcs	ASH-SH 007		HAVUZ KOL / Embedded Handle	
2 Adet / Set	ASH-SH 007K		HAVUZLU KOL KAR. İLİK / Embedded Handle Strike	



### FİTLER / GASKETS

MKTAR / Unit	KOD / Code	PROFİL ÇİZİM / Drawing	PROFİL TANIMI / Description	KESİM ÖLÇÜSÜ / Cutting Dimensions
mt	EP2-03		Ç. CAM F.T.L. / Inner Glazing Gasket	(6xG1)-(6xG2)
mt	EP1-01		DI. CAM F.T.L. / Outer Glazing Gasket	(6xG1)+(6xG2)
mt	SKF-01		KASA KANAL F.T.L. / Frame Gasket	(6xFH)+(6xFW) (8xSH)+(12xSW)* (2xTH)+(2xRW)
mt	KF 67-700		FIRÇA F.T.L. / Brush Gasket - 7mm	

### AKSESUARLAR / ACCESSORIES

4 Adet / Pcs	ASH-STP 03		KANAT STOPER / Sash Stopper	
8 Adet / Pcs	SL40-KP01		KENET KAPA. I ALT-ÜST / Interlock Profile Cap Top-Bottom	
4 Adet / Pcs	ASH-SFP 01		ALT-ÜST HAVALAMA KESİCİ / EPDM / Bottom Top Weather Protector	
44 Adet / Pcs	ASH-SB 19		KO. E. GÖNYESİ / Corner Alignment	
8 Adet / Pcs	ASH-PP 1126		KASA P.N.L. -PRESS BA. LANTI / Frame Corner Joint	
16 Adet / Pcs	ASH-PP 1126		ASH-KT 1126	
6 Adet / Pcs	ASH-KT 1119		P.N.L. -PRESS BA. LANTI / Corner Joint with Butlon	
6 Adet / Pcs	ASH-SR 05R		AVRULU Ç.F.T.L. RULMAN / Double Sliding Roller	
6 Adet / Pcs	SL40-KLF		RULMAN ADAPTOR PARÇASI / Roller Adapter	

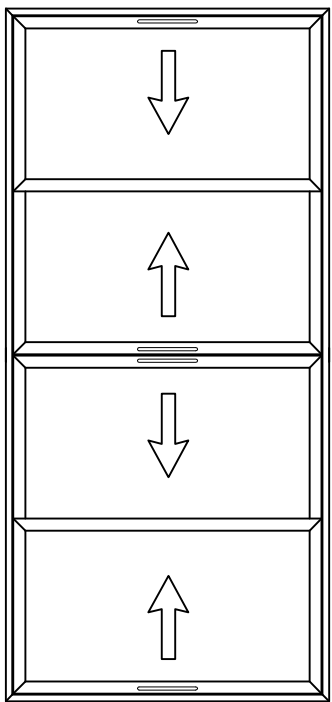
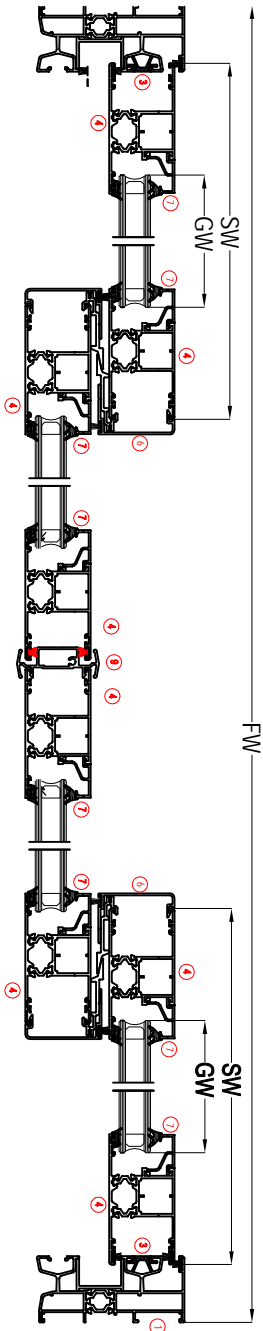
### CAM KESİM ÖLÇÜLERİ / GLASS CUTTING SIZES

KOD / Code	TANIMI / Description	KESİM ÖLÇÜSÜ / Cutting Dimensions
GW	CAM GEN. L. K. / Sash Glass Width	GW=SW-134mm
GH	CAM YÜKSEKLİĞİ / Sash Glass Height	GH=SH-134mm

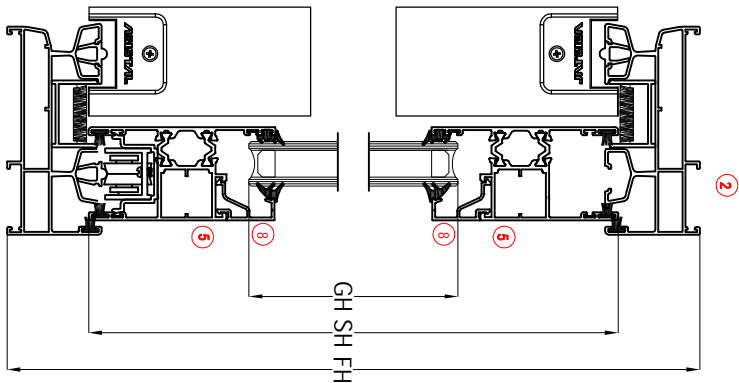
# ASİSTAL

## 4 HAREKETLİ KANAT KESİM ÖLÇÜLERİ

### 4 SLIDING SASHES CUTTING SIZE



SPANVOLET K.L. TLEME ÇİN AKSESUARLAR / ACCESSORIES FOR MULTI POINT LOCKING				
MKTAR / Ünit	KOD / Code	PROF. L. Ç. Z.M. / Drawing	PROF. L. TANIMI / Description	KESİM ÖLÇÜSÜ / Cutting Dimensions
3 Adet / Pcs	ASHSP 15.3		SPANVOLET K.L. TLEME / Multi Point Lock	
9 Adet / Pcs	ASHSP K03		SPANVOLET K.L. T. KAR. İLİ / Multi Point Strike	
3 Adet / Pcs	ASLWH 002		SPANVOLET K.L. TLEME KOL / Window Handle	
3 Adet / Pcs	SL40KNL		SPANVOLET K.L. TLEME KANAL PROF. L. / Multi Lock Profile	1800mm
HAVUZLU KOL KULLANIM AKSESUARLAR / ACCESSORIES FOR EMBEDDED HANDLES				
2 Adet / Pcs	ASLSH 007		HAVUZ KOL / Embedded Handle	
2 Takım / Set	ASLSH 007K		HAVUZLU KOL KAR. İLİK / Embedded Handle Strike	



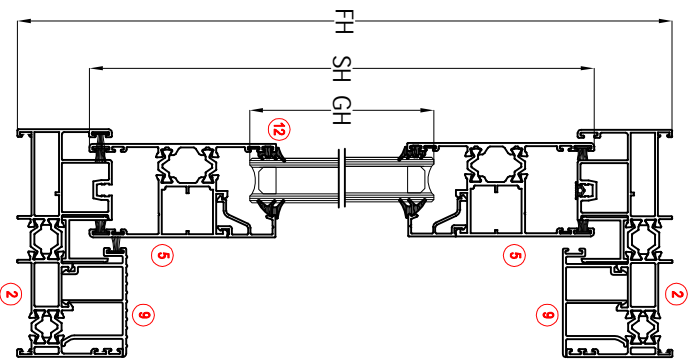
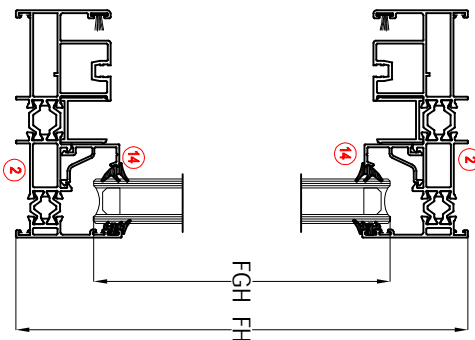
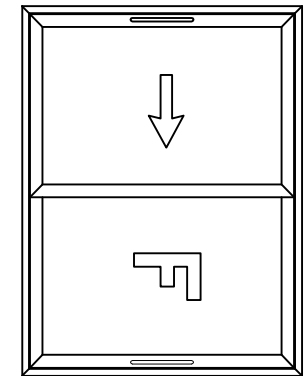
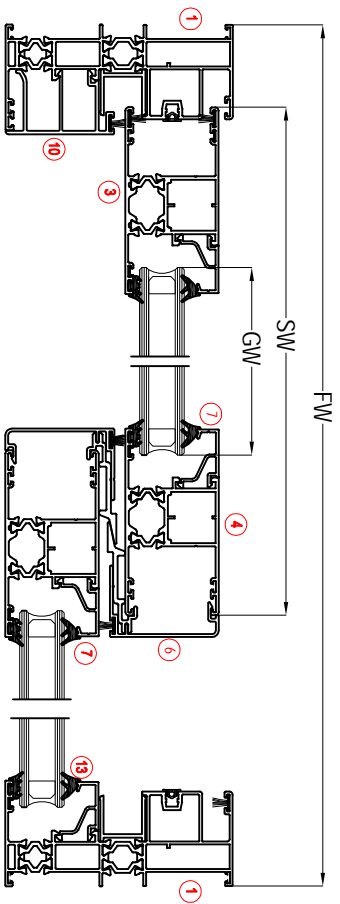
PROFİLLER / PROFILES					
NO / Number	ADET / Unit	KOD / Code	PROF. L. Ç. Z.M. / Drawing	PROF. L. TANIMI / Description	KESİM ÖLÇÜSÜ / Cutting Dimensions
1	2	SL40T 01 SL40T 02		DU EY KASA PROF. L. / Vertical Frame Profile	FH
2	2	SL40T 01 SL40T 02		YATAY KASA PROF. L. / Horizontal Frame Profile	FW
3	2	SL40 44		KASA KANAL PROF. L. / Frame Channel Profile	FH
4	8	SL40T 12		DU EY KANAT PROF. L. / Vertical Sash Profile	SH=FH-70mm
5	8	SL40T 12		YATAY KANAT PROF. L. / Horizontal Frame Profile	FW=FW+18.4mm
6	4	SL40T 41		KENET PROF. L. / Central Locking Profile	SL40T 41-SH
7	8	11 - 010		G1 = DU EY CAMI ÇİTASI / Vertical Glazing Bead	SH-167mm
8	8	11 - 010		G2 = YATAY CAM ÇİTASI / Horizontal Glazing Bead	SW-124mm
9	1	SL40T 42		ADAPTOR PROF. L. / Adapter Profile	SH-30
4	4	SL40 PLZ 02		KENET PVC PROF. L. / Central Locking PVC Profile	SH
2	2	SL40-PLU01		YATAY KASA KANAL PVC / Horizontal PVC Channel Profile	FW-40mm
2	2	SL40-PLU 01		DU EY KASA KANAL PVC / Vertical PVC Channel Profile	FH-40mm
2	2	SL40 61		ALUMİNYUM RAY PROF. L. / Aluminium Rail Profile	FW-85

### FİLTRELER / GASKETS

MKTAR / Ünit	KOD / Code	PROF. L. Ç. Z.M. / Drawing	PROF. L. TANIMI / Description	KESİM ÖLÇÜSÜ / Cutting Dimensions
mt	EP2-03		Ç. CAM F.T.L. / Inner Glazing Gasket	(8xG1)+(8xG2)
mt	EP1-01		DI. CAM F.T.L. / Outer Glazing Gasket	(8xG1)+(8xG2)
mt	SKF-01		KASA KANAL F.T.L. / Frame Gasket	(2xH)+(2xFW)
mt	KF 67-700		FİRCİ F.T.L. / Brush Gasket - 7mm	(10xSH)+(8xSW)+(2xH)+(2xFW)
AKSESUARLAR / ACCESSORIES				
6 Adet / Pcs	ASLSTP 03		KANAT STÖPER / Sash Stopper	
8 Adet / Pcs	SL40KP01		KENET KAPAĞI / ALT-ÜST / Innerlock Profile Cap Top-Bottom	
4 Adet / Pcs	ASLSP 01		ALT-ÜST HAVA KESİCİ / EPDM / Bottom: Top Weather Protector	
56 Adet / Pcs	ASLSB 19		KO. E. GÖNYESİ / Corner Alignment	
4 Adet / Pcs	ASLPH 1126 ASLKT 1126		KASA P.İL. -PRESS BA. LANTI / Frame Corner Joint with Bulbon	
20 Adet / Pcs	ASLPH 1119 ASLKT 1119		P.İL. -PRESS BA. LANTI / Corner Joint with Bulbon	
8 Adet / Pcs	ASLSR 05R		AVRUK Ç.İ.T.L. RULMAN / Double Sliding Roller	
8 Adet / Pcs	SL40KIF		RULMAN ADAPTOR PARÇASI / Roller Adapter	
2 Adet / Pcs	SL40KPD2		4 LU KANAT K.L. TLEME ADAPTOR KAPAĞI / Meeting Site Cap Adapter	

CAM KESİM ÖLÇÜLERİ / GLASS CUTTING SIZES		
KOD / Code	TANIMI / Description	KESİM ÖLÇÜSÜ / Cutting Dimensions
GW	CAM GEN. L. K. / Sash Glass Width	GW=SW-134mm
GH	CAM YÜKSEKLİK / Sash Glass Height	GH=SH+134mm

SAB TL KASADA 1 HAREKETLİ KANAT KES MÖLÇÜLER  
1 SLIDING SASH IN FIXED FRAME CUTTING SIZE



SPANVOLET KİLİTLEMENİN AKSESUARLARI / ACCESSORIES FOR MULTI POINT LOCKING

MKTAR/Unit	KOD/Code	PROF L ÇİZİM Drawing	PROF L TANIMI / Description	KESİM ÖLÇÜSÜ Cutting Dimensions
1 Adet / Pcs	ASH-SP-15.3		SPANVOLET KİLİTLEMENİN ÇOKLU NOKTA KİLİTİ / Multi Point Lock	
3 Adet / Pcs	ASH-SP-K03		SPANVOLET KİLİT KİLİT KİLİTİ / Multi Point Strike	
1 Adet / Pcs	ASH-WH-002		SPANVOLET KİLİTLEMENİN KOLU / Window Handle	
1 Adet / Pcs	SL-40-KNL		SPANVOLET KİLİTLEMENİN KANALI / PROFİL KİLİT KİLİTİ / Multi Lock Profile	1800mm

HAVUZLU KOL KULLANIM AKSESUARLARI / ACCESSORIES FOR EMBEDDED HANDLES

1 Adet / Pcs	ASH-SH-007		HAVUZ KOLU / Embedded Handle	
1 Takım / Set	ASH-SH-007K		HAVUZLU KOL KİLİTİ / Embedded Handle Strike	

CAM KESİM ÖLÇÜLERİ / GLASS CUTTING SIZES

KOD / Code	TANIMI / Description	KESİM ÖLÇÜSÜ / Cutting Dimensions
GW	HAREKETLİ KANAT CAM GENİRLİĞİ / Sash Glass Width	GW-SW - 134mm
GH	HAREKETLİ KANAT CAM YÜKSEKLİĞİ / Sash Glass Height	GH-SH - 134mm
FGW	SAB TL KISIM CAM GENİRLİĞİ / Fixed Glass Width	FGW-GW
FGH	SAB TL KISIM CAM YÜKSEKLİĞİ / Fixed Glass Height	FGH-FH - 70mm

PROFİLLER / PROFILES

NO / Number	ADET / Unit	KOD / Code	PROF L ÇİZİM / Drawing	PROF L TANIMI / Description	KESİM ÖLÇÜSÜ / Cutting Dimensions
1	2	SL40T 04		DU EY KASA PROFİLİ / Vertical Frame Profile	FH
2	2	SL40T 04		YATAY KASA PROFİLİ / Horizontal Frame Profile	FW
3	2	SL40T 12		DU EY KANAT PROFİLİ / Vertical Sash Profile	SH+FH-70mm
4	2	SL40T 12		YATAY KANAT PROFİLİ / Horizontal Frame Profile	SH+FW/2 + 36mm
5	1	SL40T 12		ORTA KANIT KANAT PROFİLİ	FW-50mm
6	1	SL40T 41		KENET PROFİLİ / Central Locking Profile	SL40T 41-SH
7	1	SL40T 41		KENET PROFİLİ / Central Locking Profile	FW-50mm
8	1	SL40 81		KAPAK PROFİLİ / Cover Profile	FW/2 - 33.1 mm
9	1	SL40 81		KAPAK PROFİLİ / Cover Profile	FH-98.6 mm
10	1	SL40 82		KAPAK PROFİLİ / Cover Profile	FW/2 - 33.1 mm
11	2	11-010		G1=DU EY CAM ÇİTASI / Vertical Glazing Bead	SH-167mm
12	2	11-010		G2 = YATAY CAM ÇİTASI / Horizontal Glazing Bead	SW-124mm
13	2	11-010		G1=DU EY CAM ÇİTASI / Vertical Glazing Bead	FH-94 mm
14	2	11-010		G2 = YATAY CAM ÇİTASI / Horizontal Glazing Bead	FW/2-94.5 mm
	2	SL40-PLZ 02		KENET PVC PROFİLİ / Central Locking PVC Profile	SH
	2	SL40-PLU 02		YATAY KASA KANALI PVC / Horizontal PVC Channel	FW-40mm
	2	SL40-PLU 02		DU EY KASA KANALI PVC / Vertical PVC Channel	FH-40mm
	1	ASH-İNR-01		ÇELİK RAY PROFİLİ / Steel Rail Profile	FW-85

FİTİLLER / GASKETS

MKTAR / Unit	KOD / Code	PROF L ÇİZİM / Drawing	PROF L TANIMI / Description	KESİM ÖLÇÜSÜ / Cutting Dimensions
ml	EP2-03		ÇAM FİTİLİ / Inner Glazing Gasket	(4xG1)-(4xG2)
ml	EP1-01		DI CAM FİTİLİ / Outer Glazing Gasket	(4xG1)-(4xG2)
ml	INT1-03		KASA RAY KAPAMA FİTİLİ / Frame Rail Cover Gasket	(2xSH)-(FW)
ml	KE 67-700		FİRÇA FİTİLİ / Brush Gasket - 7mm	(4xSH)-(4xSW)+ (2xFH)-(2xFW)

AKSESUARLAR / ACCESSORIES

2 Adet / Pcs	ASH-STP 03		KANIT STOPER / Sash Stopper	
2 Adet / Pcs	SL40-KP01		KENET KAPAĞI / ALT-ÜST / İnterlock Profile Cap	
2 Adet / Pcs	ASH-SFP 02		ALT-ÜST HAVALIK KESİCİ / EPDM / Bottom-Top Weather Protector	
20 Adet / Pcs	ASH-SB-19		KÖGE GÖNYESİ / Corner Alignment	
4 Adet / Pcs	ASH-PB 1126 ASH-KT 1126		KASA P.M.L. -PRESS BAĞLANTI / Frame Corner Joint with Bulbion	
8 Adet / Pcs	ASH-PB 1119 ASH-KT 1119		P.M.L. -PRESS BAĞLANTI / Corner Joint with Bulbion	
2 Adet / Pcs	ASH-SR 03R		AKSARLI ÇFTL RULMAN / Double Sliding Roller	
2 Adet / Pcs	SL40-KLF		RULMAN ADAPTOR / ROLLER ADAPTER	