

SL40 - 1,4mm

YALITIMSIZ SÜRME SİSTEMİ  
COLD SLIDING SYSTEM



**KESİM VE MONTAJ ÇİZİMLERİ**  
***CUTTING & ASSEMBLY DRAWINGS***

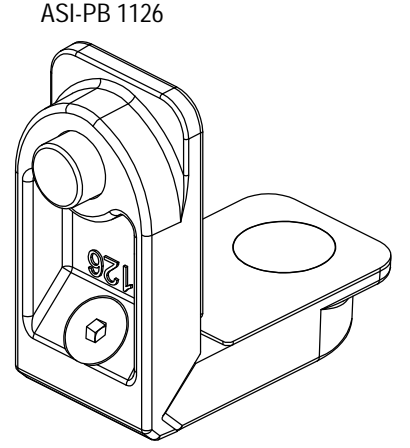
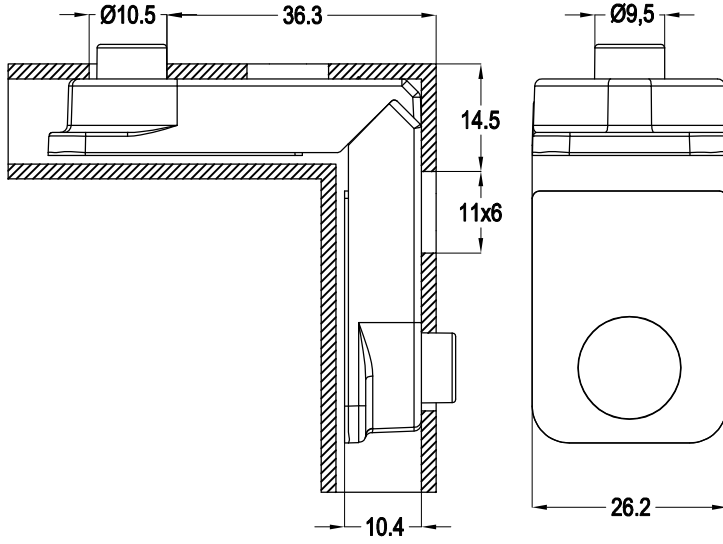
SL40 - 1,4mm

YALITIMSIZ SÜRME SİSTEMİ  
COLD SLIDING SYSTEM

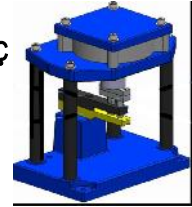


PİMLİ KÖŞE BAĞLANTI MONTAJI : ASI-PB 1126

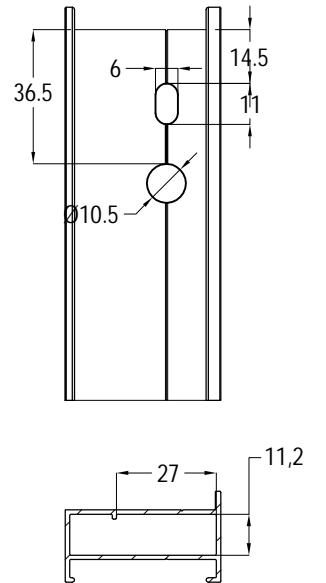
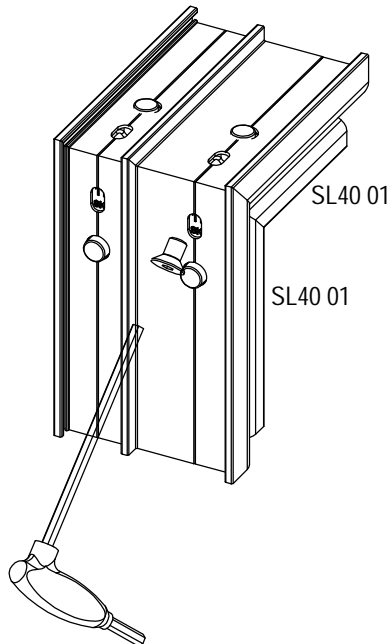
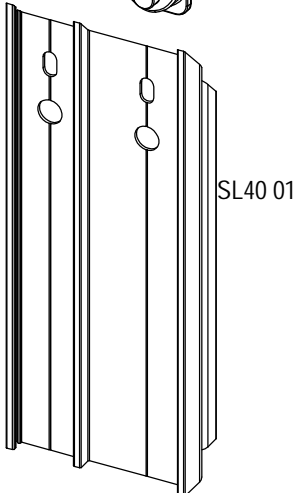
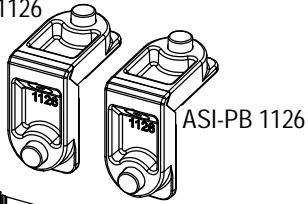
ASSEMBLY FOR PIN CONNECTION : ASI-PB 1126



501 EKO PANÇ



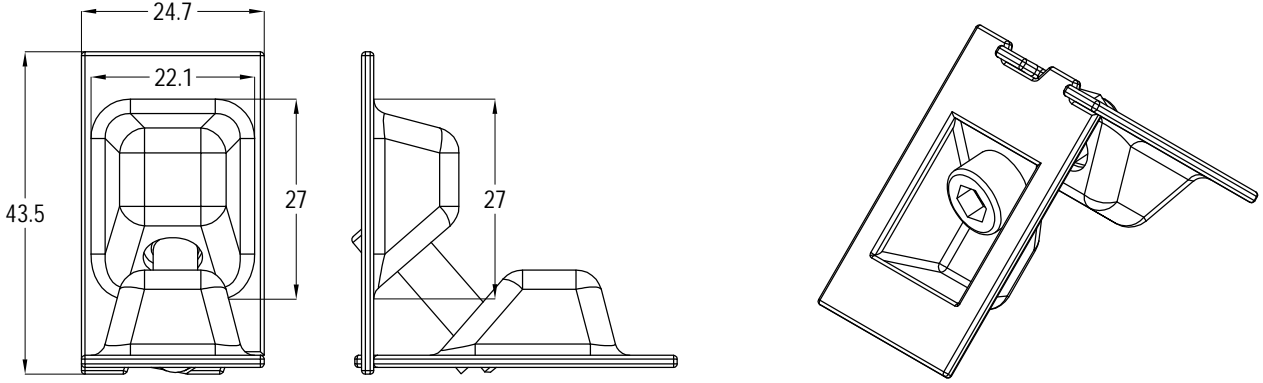
ASI-PB 1126





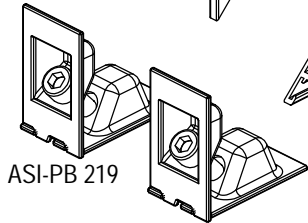
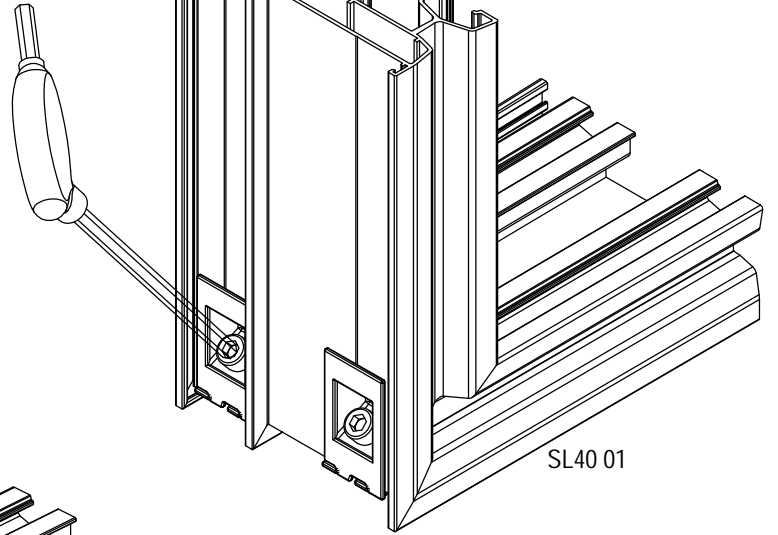
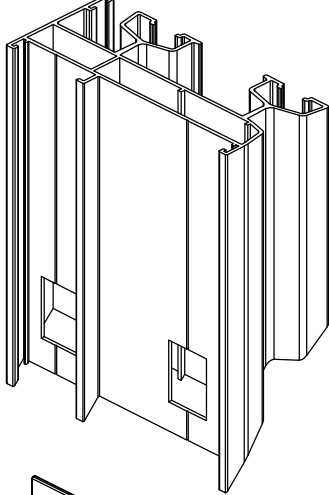
2. ÖNERİ KÖŞE BAĞLANTI MONTAJI : ASI-PB 219  
2. PROPOSAL ASSEMBLY FOR PIN CONNECTION : ASI-PB 219

ASI-PB 1126



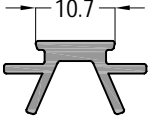
SL40 01

SL40 01



ASI-PB 219

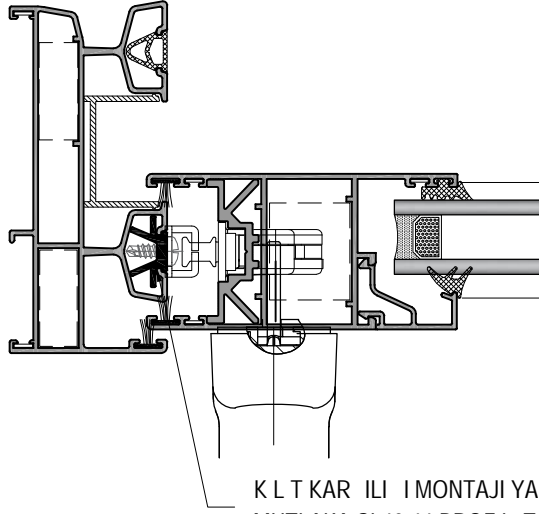
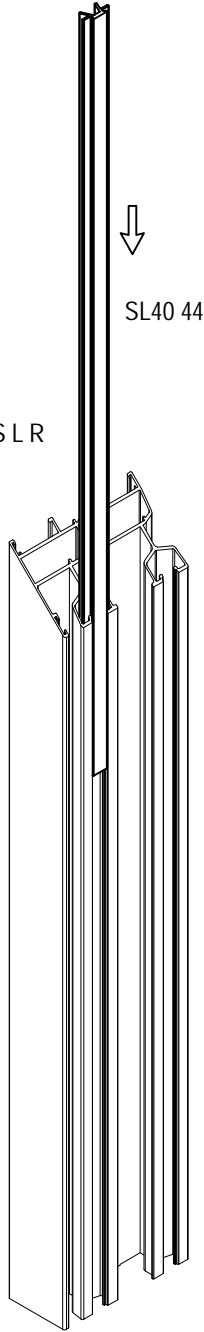
SL40 01

**KASA MONTAJI**  
**FRAME ASSEMBLY**

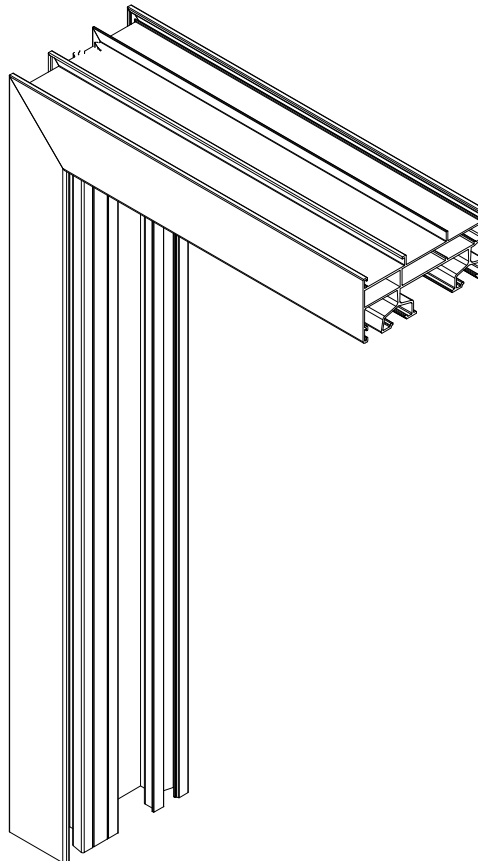
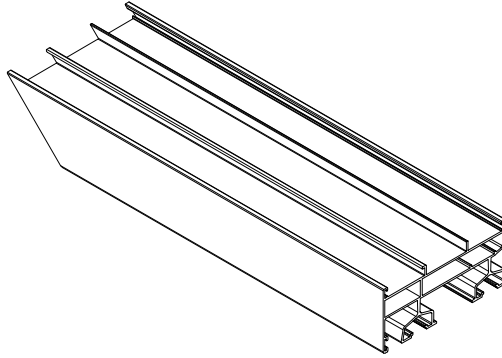
SL40 44

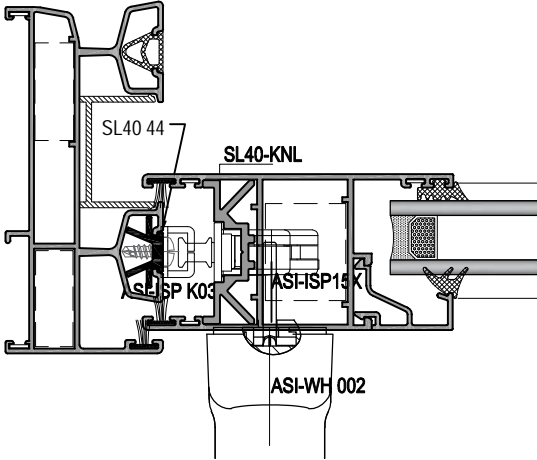
MAT SİYAH BOYALI OLARAK  
KULLANILIR, KASAYA SÜRÜLEREK  
TAKILIR KÖŞE MONTAJI ÖNCESİ VE  
KASA PROFİLİLE BERABER 45° KESİLİR  
That is used as matt black painted  
installation must be done by sliding  
to the frame before the frame corner  
joint and it cuts with frame profile to be  
45°

SL40T 01



KİLİT KARKASINA MONTAJI YAPILACAK TARAFTA  
MUTLAKA SL40 44 PROFİLİ TAKILMALIDIR  
You have to use SL40 44 profile  
in the frame for locking part



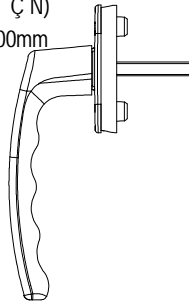
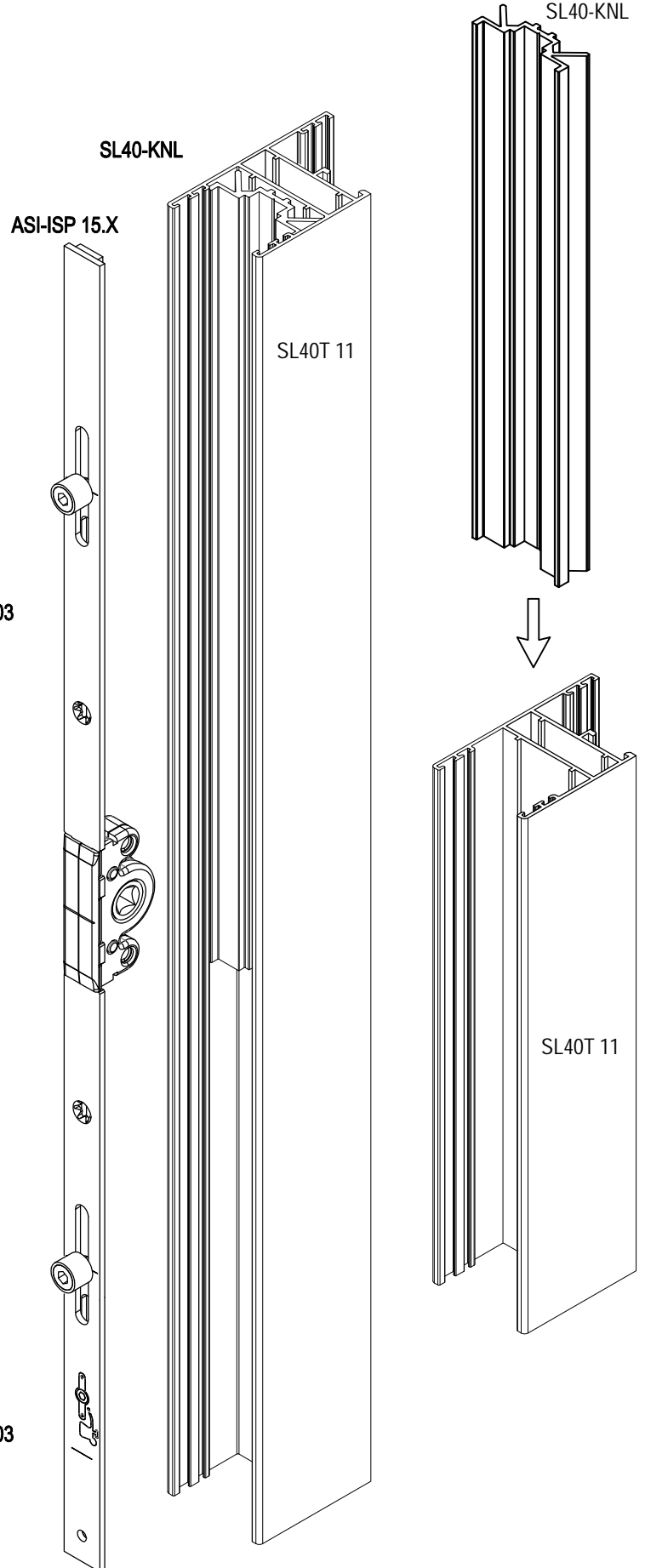
**İSPANYOLET KİLİTLEME : ASI-ISP 15****MULTI POINT LOCKING : ASI-ISP 15**

ASI-ISP15.0 (400 mm L K SPANYOLET Ç N)  
KANAT YÜKSEKL (sash height) < 600mm  
SL40-KNL = 400mm X 1 ADET  
ASI-ISP K03 = 2 ADET

ASI-ISP15.1 (600 mm L K SPANYOLET Ç N)  
KANAT YÜKSEKL (sash height) < 1100mm  
SL40-KNL = 600mm X 1 ADET  
ASI-ISP K03 = 2 ADET

ASI-ISP15.2 (1000mm L K SPANYOLET Ç N)  
1900mm < KANAT YÜKSEKL (sash height) > 1100m  
SL40-KNL = 1000mm X 1 ADET  
ASI-ISP K03 = 2 ADET

ASI-ISP15.3 (1800mm L K SPANYOLET Ç N)  
KANAT YÜKSEKL (sash height) > 1900mm  
SL40-KNL = 1800mm X 1 ADET  
ASI-ISP K03 = 3 ADET

**ASI-WH 002****ASI-ISP K03****ASI-ISP K03**

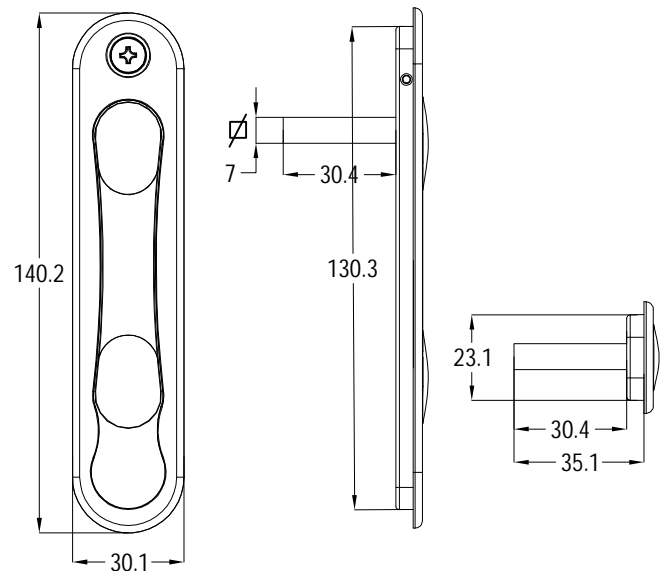
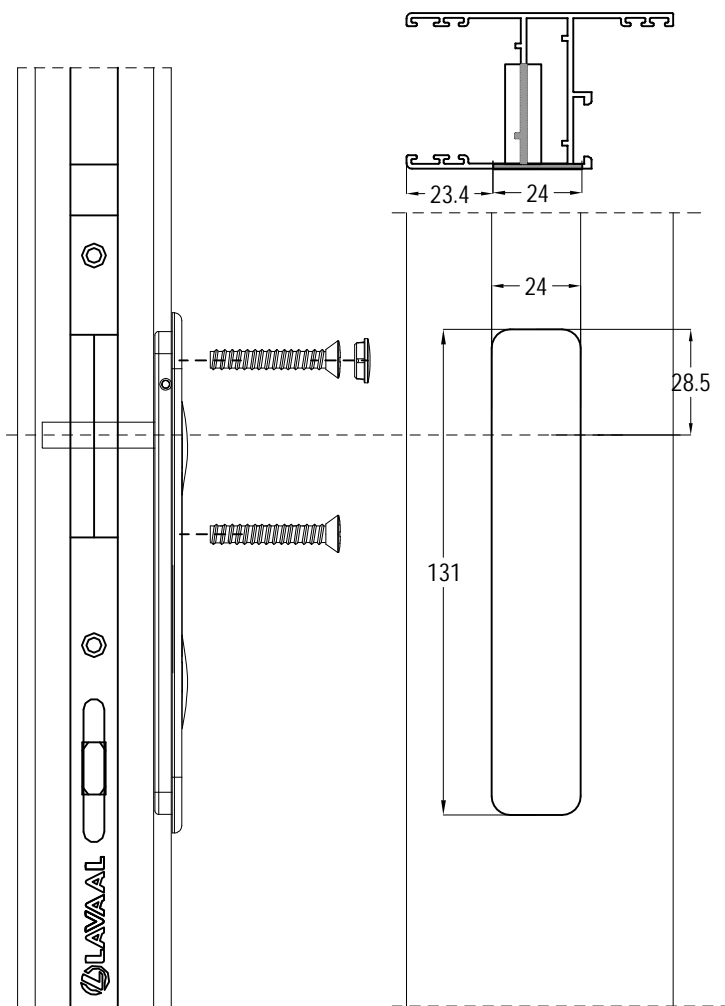
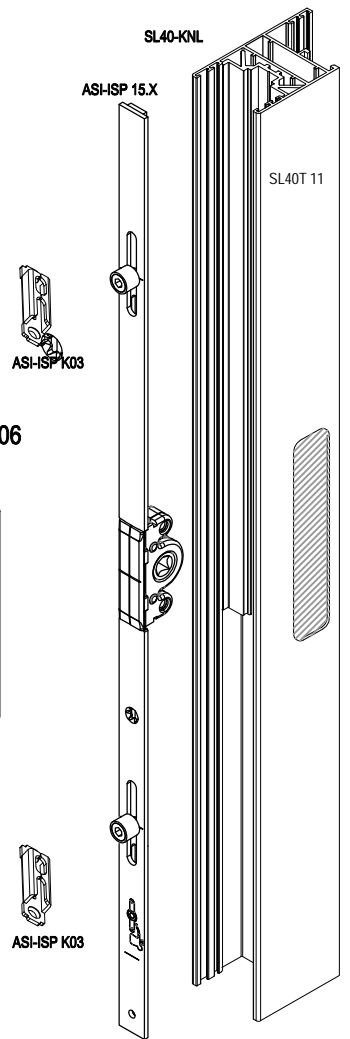
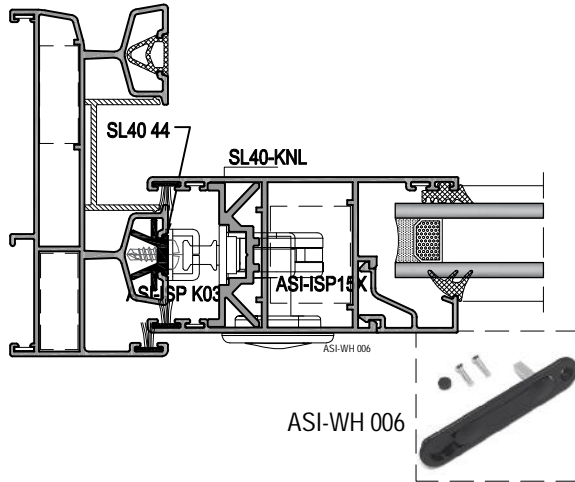
# SL40 - 1,4mm

ISI YALITIMLI SÜRME SİSTEMİ  
THERMAL SLIDING SYSTEM



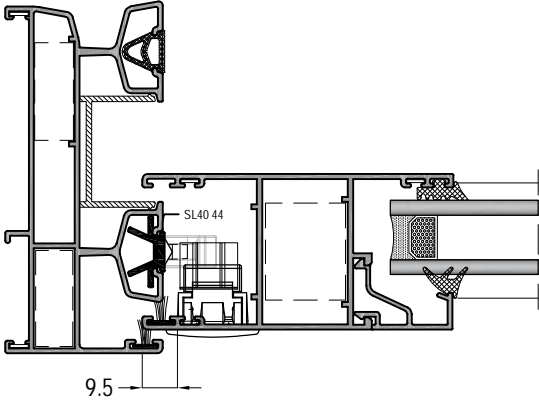
İSPANYOLET KİLİTLEME : ASI-ISP 15

MULTI POINT LOCKING : ASI-ISP 15

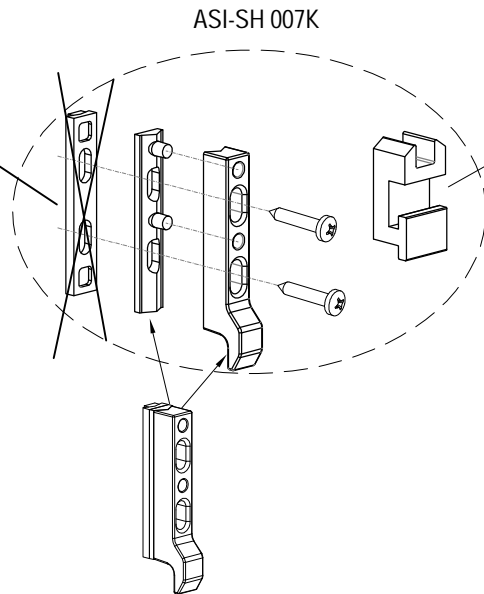
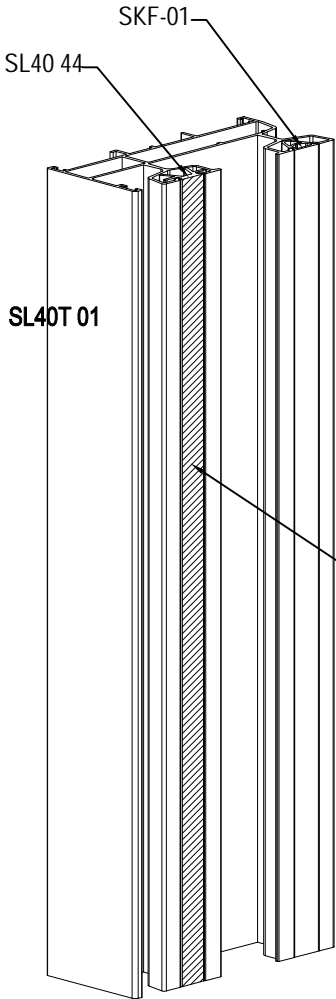
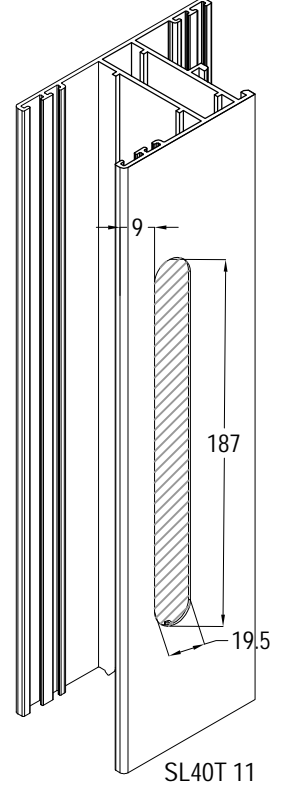
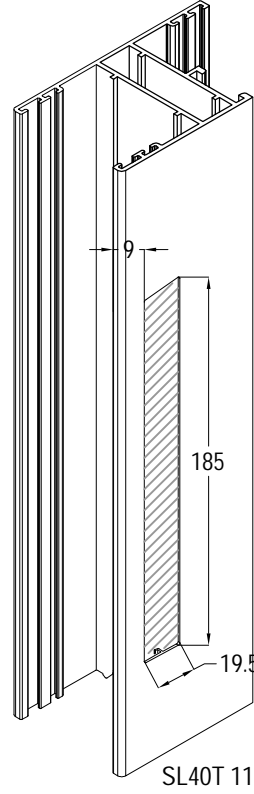


# SL40 - 1,4mm

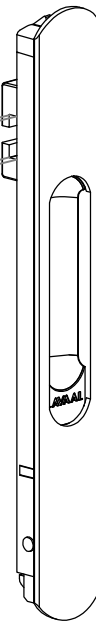
ISI YALITIMLI SÜRME SİSTEMİ  
THERMAL SLIDING SYSTEM



ASI-SH 007  
ASI-SH 007A  
ASI-SH 007B  
Ç N KOL YER KES M ÖLÇÜSÜ



ASI-SH 007



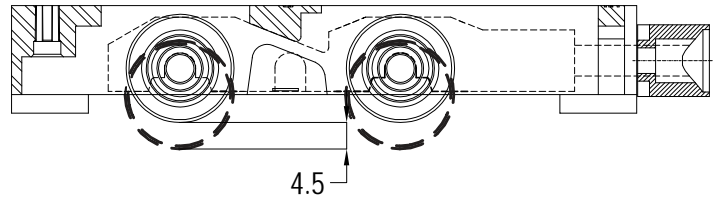
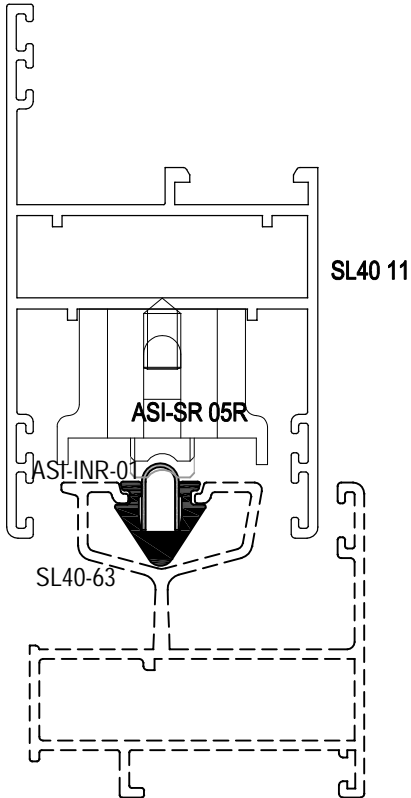
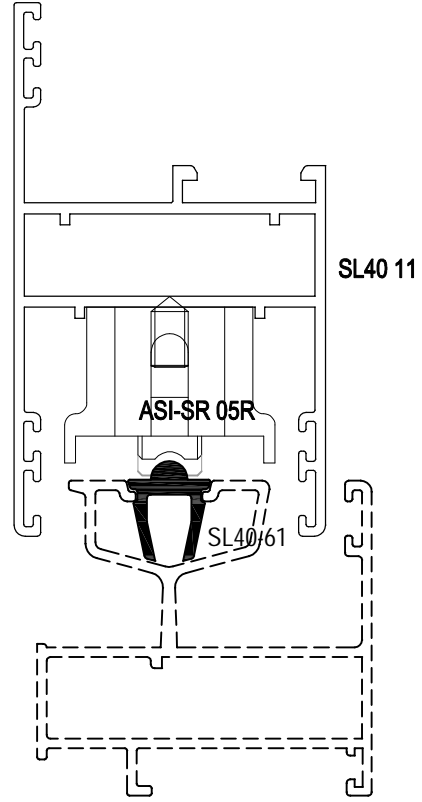
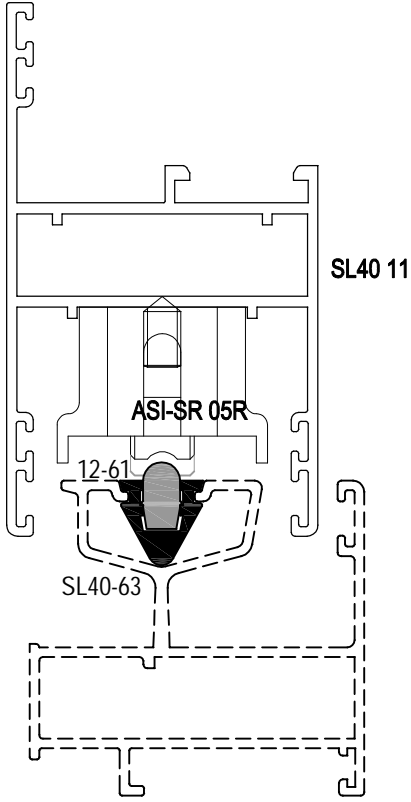
SL40 - 1,4mm

YALITIMSIZ SÜRME SİSTEMİ  
COLD SLIDING SYSTEM



RULMAN : ASI-SR 02 / ASI-SR 02R

ROLLER : ASI-SR 02 / ASI-SR 02R



ASI-SR 05R - U T P RAY Ç N

TA İMA KAPASİTESİ = 80 kg

Carry Capacity = 80 kg

TEK KANAT Ç N = 160 kg

For Per Sash = 160 kg



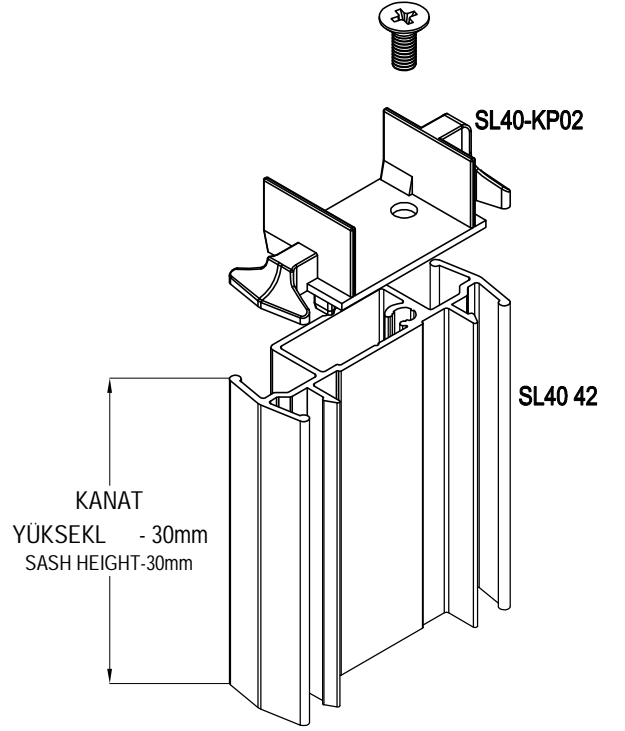
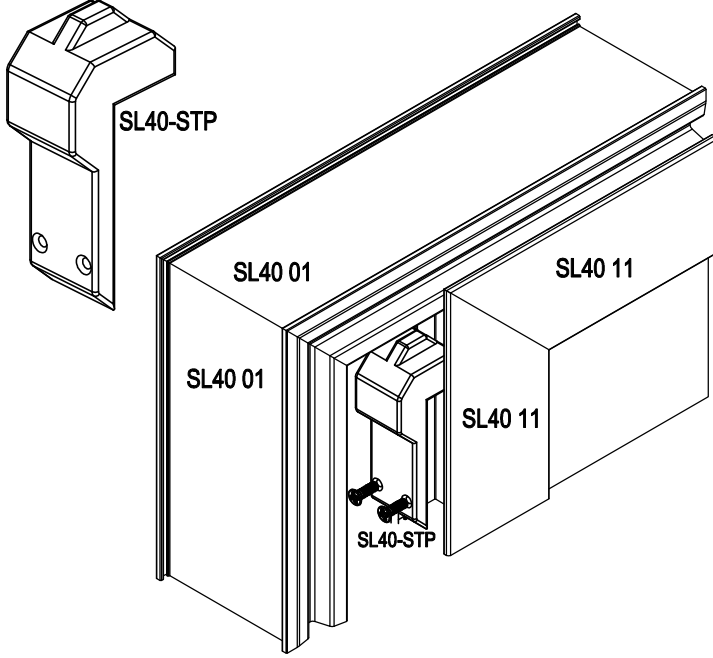
SL40 - 1,4mm

YALITIMSIZ SÜRME SİSTEMİ  
COLD SLIDING SYSTEM

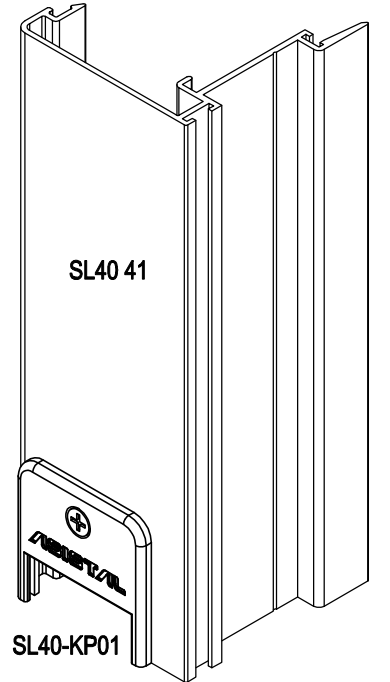
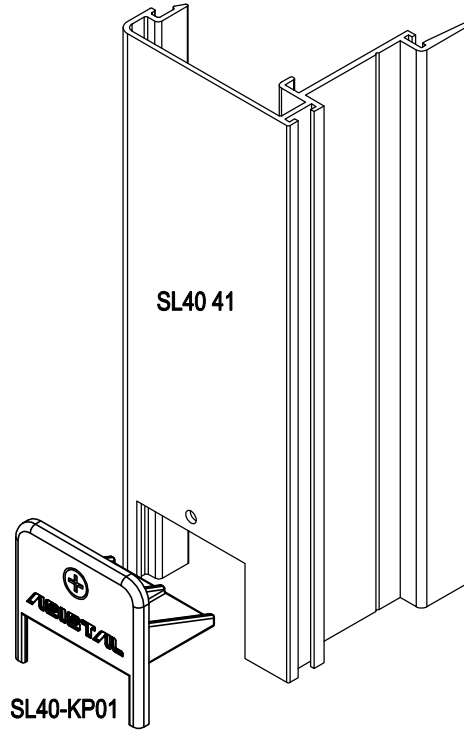
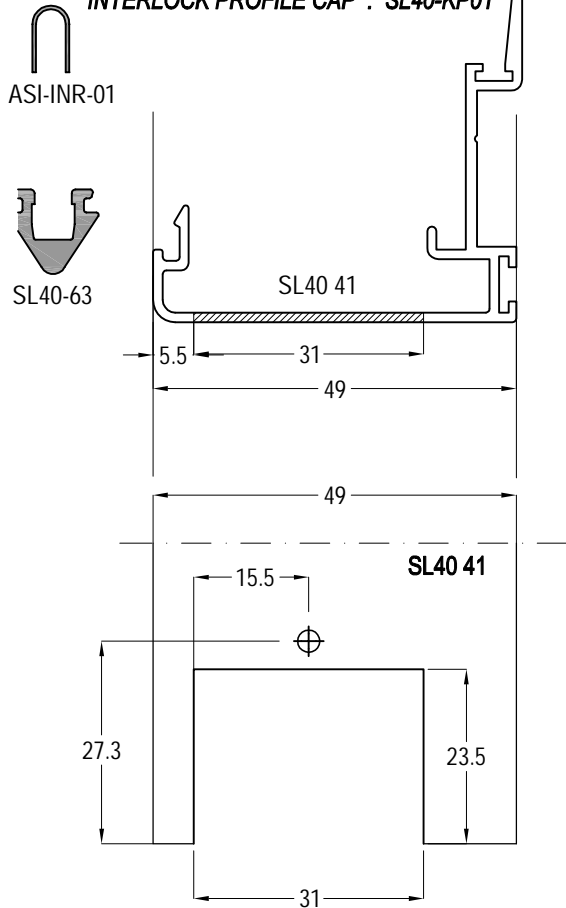
**ASISTAL**

**KANAT GÜVENLİK PLASTİĞİ : SL40-STP**  
**ANTI LIFT DEVICE : SL40-STP**

**ADAPTÖR KAPAĞI : SL40-KP02**  
**MEETING STILE CAP : SL40-KP02**



**KENET KAPAĞI : SL40-KP01**  
**INTERLOCK PROFILE CAP : SL40-KP01**

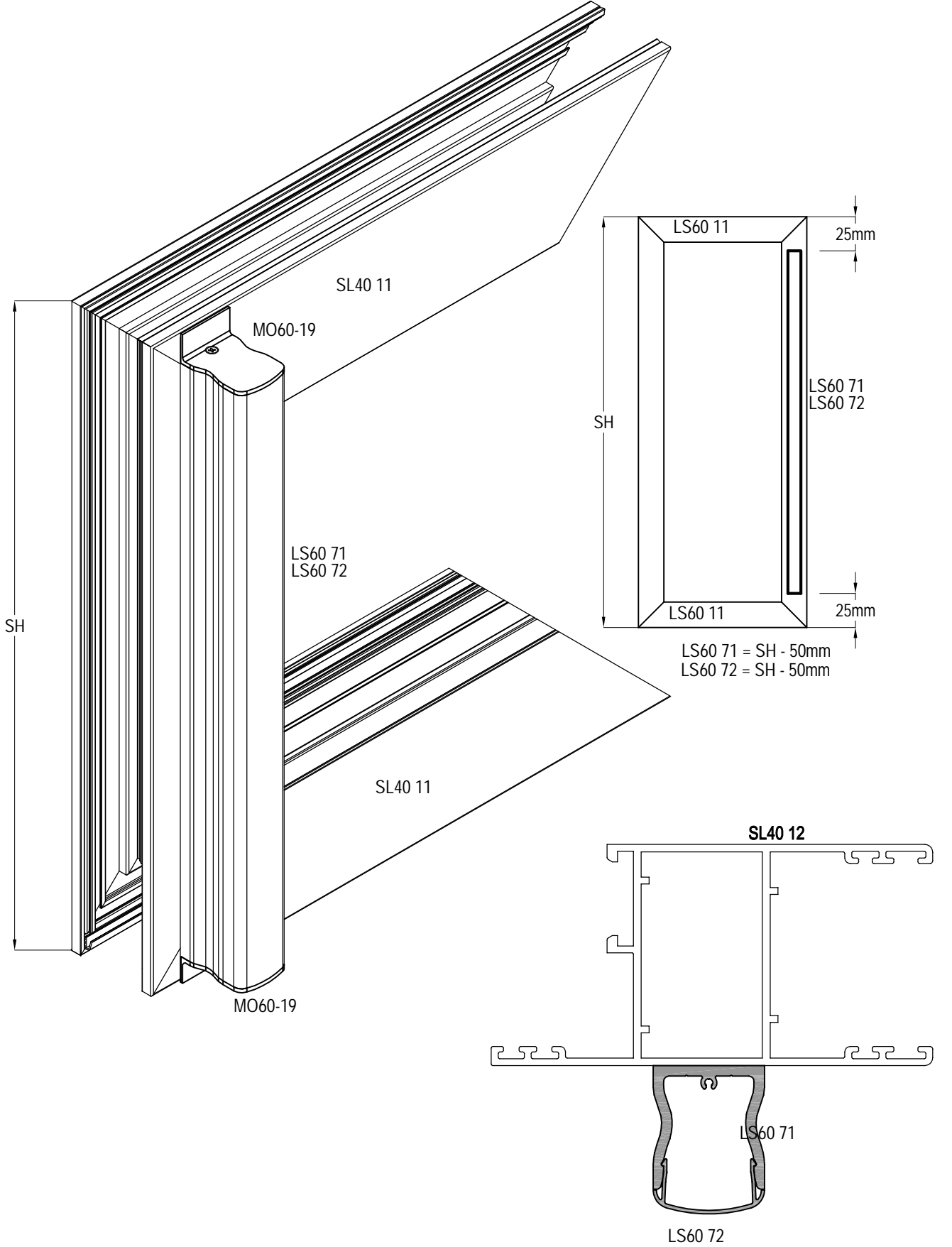


SL40 - 1,4mm

YALITIMSIZ SÜRME SİSTEMİ  
COLD SLIDING SYSTEM



TAKVİYE KOL PROFİLİ BAĞLANTI MONTAJI  
ASSEMBLY FOR HANDLE PROFILE

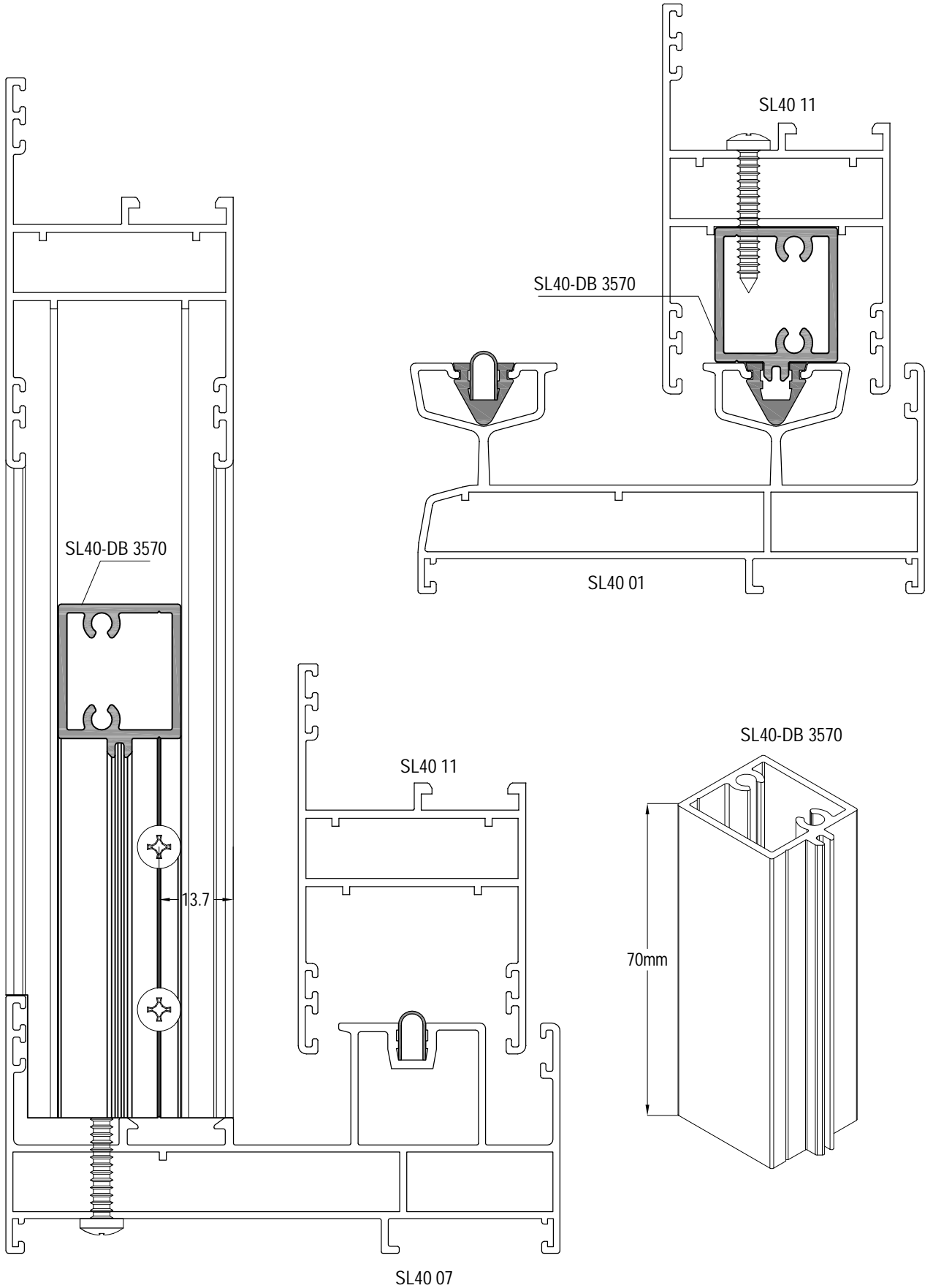


SL40 - 1,4mm

YALITIMSIZ SÜRME SİSTEMİ  
COLD SLIDING SYSTEM



KANAT SABİTLEME MONTAJI  
ASSEMBLY FOR SASH FIXING

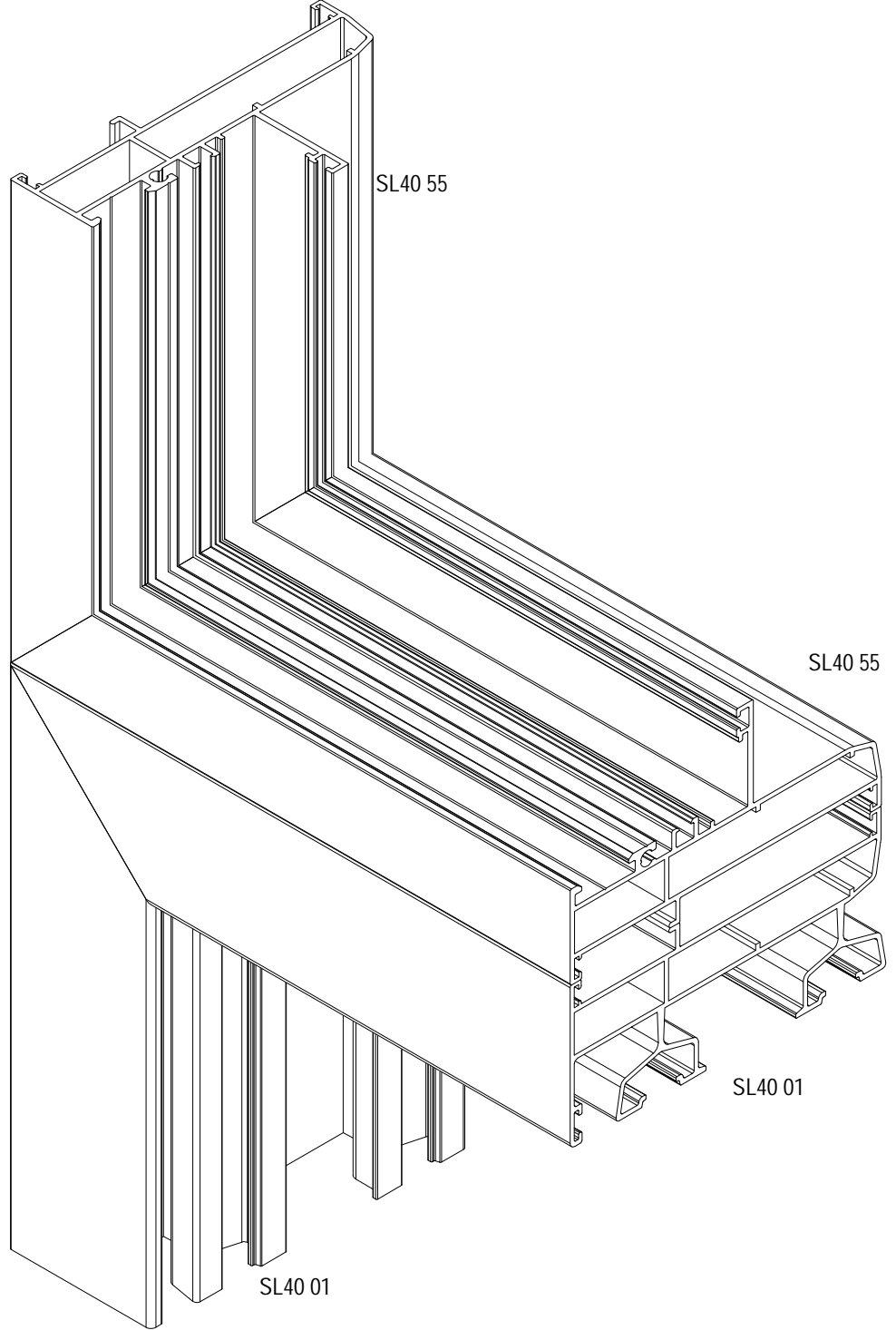


SL40 - 1,4mm

YALITIMSIZ SÜRME S STEM  
COLD SLIDING SYSTEM

**ASISTAL**

SL40 S STEM DEN C55 S STEM E GEÇ KASASI  
FRAME PROFILE BETWEEN SL40 AND C55 SYSTEM

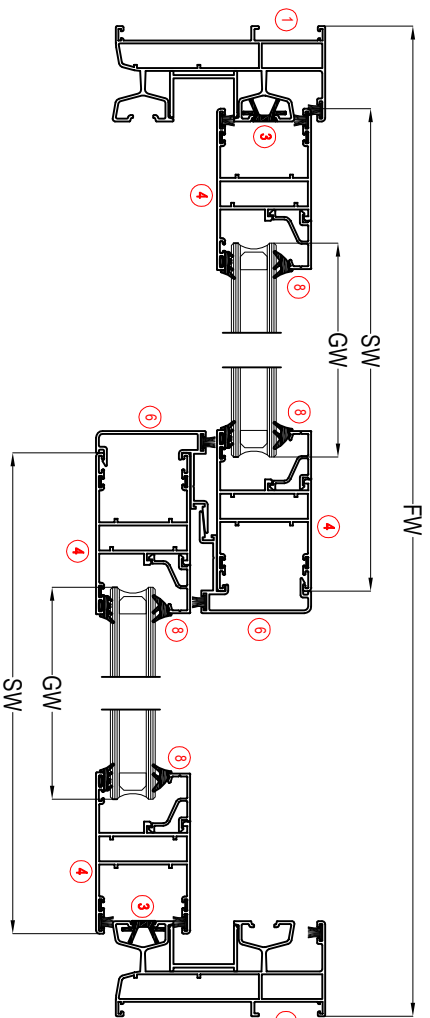


SL40 - 1,4mm

YALITIMSIZ SÜRME SİSTEMİ  
COLD SLIDING SYSTEM



**KESİM ÖLÇÜLERİ**  
**CUTTING SIZE**



NO / Number	ADET / Unit	KOD / Code	PROFL ÇİZİMİ / Drawing	PROFIL TANIMI / Description	KESİM ÖLÇÜSÜ / Cutting Dimensions
1	2	SL40 01 SL40 02 SL40 03		DÜŞEY KASA PROFİLİ / Vertical Frame Profile	FH
2	2	SL40 01 SL40 02 SL40 03		YATAY KASA PROFİLİ / Horizontal Frame Profile	FW
3	2	SL40 44		KASA KANAL PROFİLİ / Frame Channel Profile	FH
4	4	SL40 11		DÜŞEY KANAT PROFİLİ / Vertical Sash Profile	SH=FH-70mm
5	4	SL40 11		YATAY KANAT PROFİLİ / Horizontal Frame Profile	ΔW=FW/2 - 3.9mm
6	2	SL40 41		KENET PROFİLİ / Central locking Profile	SL40 41=SH
7	4	11 - 010		G1= DÜŞEY CAM ÇİTASI / Vertical Glazing Bead	SH-144mm
8	4	11 - 010		G2 = YATAY CAM ÇİTASI / Horizontal Glazing Bead	SW-100mm
2	2	SL40-PLU 01		YATAY KASA KANAL PVC / Horizontal PVC Channel Profile	FW-40mm
2	2	SL40-PLU 01		DÜŞEY KASA KANAL PVC / Vertical PVC Channel Profile	FH-40mm
2	2	SL40 61		ALÜMİNYUM RAY PROFİLİ / Aluminium Rail Profile	FW-85mm

#### FİTİLLER / GASKETS

MİKTAR / Unit	KOD / Code	PROFL ÇİZİMİ / Drawing	PROFIL TANIMI / Description	KESİM ÖLÇÜSÜ / Cutting Dimensions
mt	EP2-03		İÇ CAM FİTİLİ / Inner Glazing Gasket	(4xG1)Y(4xG2)
mt	EP4-01		DİŞ CAM FİTİLİ / Outer Glazing Gasket	(4xG1)Y(4xG2)
mt	SKF-01		KASA KANAL FİTİLİ / Frame Gasket	(2xFH)Y(2xFW)
mt	KF 67-700		FİRÇA FİTİLİ / Brush Gasket - 7mm	(6xSH)Y(6xSY)Y (2xH1)Y(2xH)

#### AKSESUARLAR / ACCESSORIES

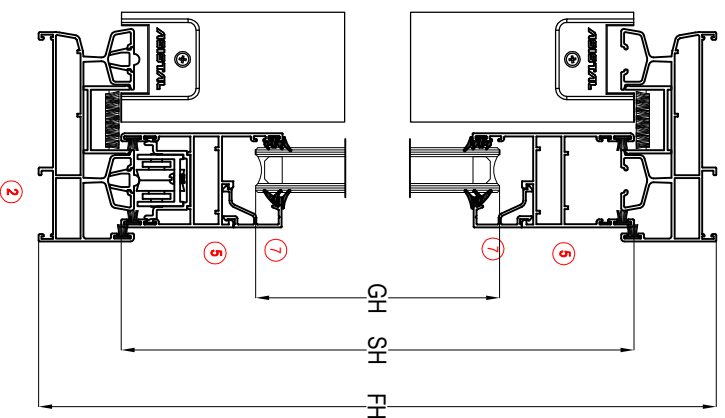
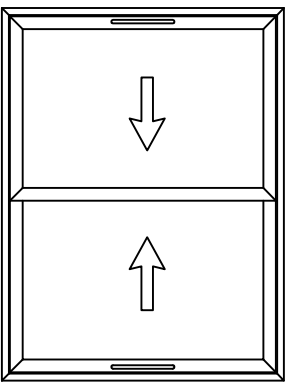
4 Adet / Pcs	AS1-STP 03		KANAT STOPER / Sash Stopper	
4 Adet / Pcs	SL40-KP01		KENET KAPAKÇI / AL-TÜST / Interlock Profile Cap Top-Bottom	
2 Adet / Pcs	AS1-SFP 01		AL-TÜST HANA KESİCİ EPDM / Bottom-Top Weather Protector	
32 Adet / Pcs	AS1-SB 19		KÖŞE GÖNYESİ / Corner Alignment	
8 Adet / Pcs	AS1-PB 1126 AS1-KT 1126		KASA PİMLİ PRES BAĞLANTI / Frame Corner Joint with Button	
8 Adet / Pcs	AS1-PB 1126 AS1-KT 1126		KANAT PİMLİ PRES BAĞLANTI / Sash Corner Joint with Button	
4 Adet / Pcs	AS1-SR 03R		AYARLI ÇİFTLİ RULMAN / Double Sliding Roller	

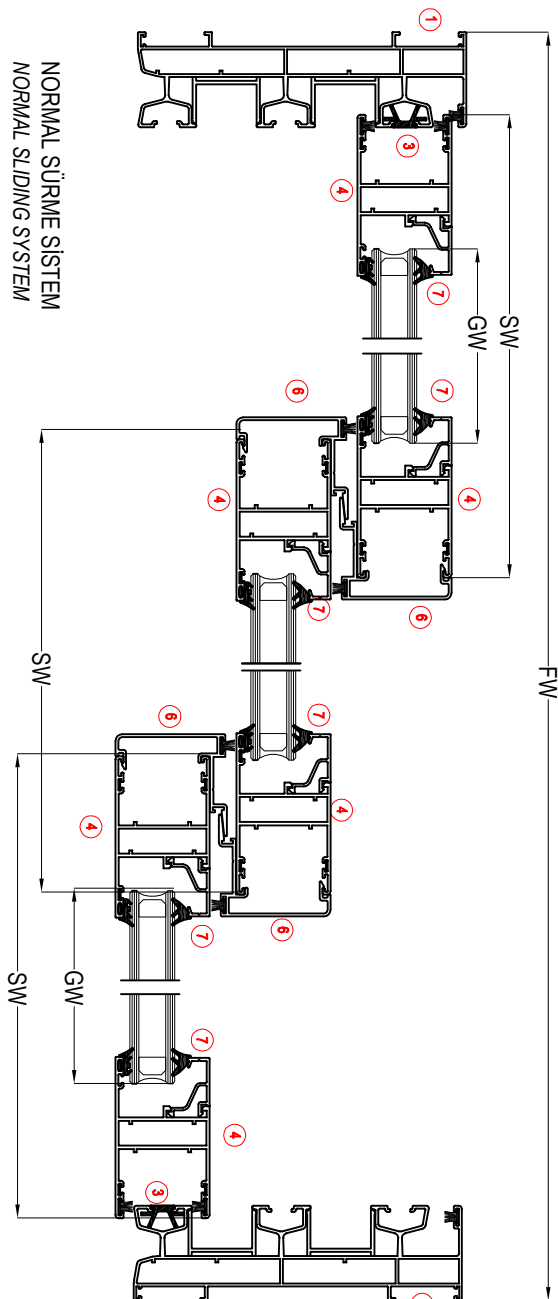
#### CAM KESİM ÖLÇÜLERİ / GLASS CUTTING SIZES

KOD / Code	TANIMI / Description	KESİM ÖLÇÜSÜ / Cutting Dimensions
GW	CAM GENİŞLİK / Sash Glass Width	GW=SW - 110mm
GH	CAM YÜKSEKLİK / Sash Glass Height	GH=SH - 110mm

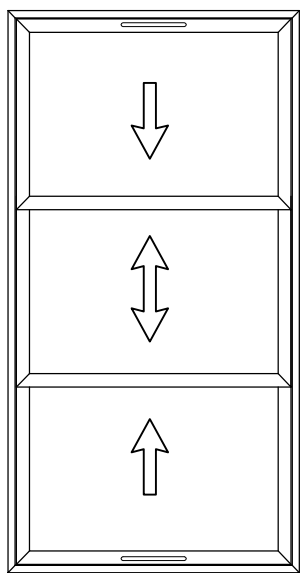
#### İSPANYOLET KİLİTLEME İÇİN AKSESUARLAR / ACCESSORIES FOR MULTI POINT LOCKING

MİKTAR / Unit	KOD / Code	PROFL ÇİZİMİ / Drawing	PROFIL TANIMI / Description	KESİM ÖLÇÜSÜ / Cutting Dimensions
2 Adet / Pcs	AS1-SP 15.3		İSPANYOLET KİLİTLEME / Multi Point Lock	
6 Adet / Pcs	AS1-SP K03		İSPANYOLET KİLİT KAŞIĞI / Multi Point Strike	
2 Adet / Pcs	AS1-WH 002		İSPANYOLET KİLİTLEME KOL / Window Handle	
2 Adet / Pcs	SL40-KNL		İSPANYOLET KİLİTLEME KANAL PROFİLİ / Multi Lock Profile	1600mm
HAVUZLU KOL KULLANIM AKSESUARLAR / ACCESSORIES FOR EMBEDDED HANDLES				
2 Adet / Pcs	AS1-SH 007		HAVUZ KOL / Embedded Handle	
2 Takım / Set	AS1-SH 007K		HAVUZLU KOL KARŞILIK / Embedded Handle Strike	



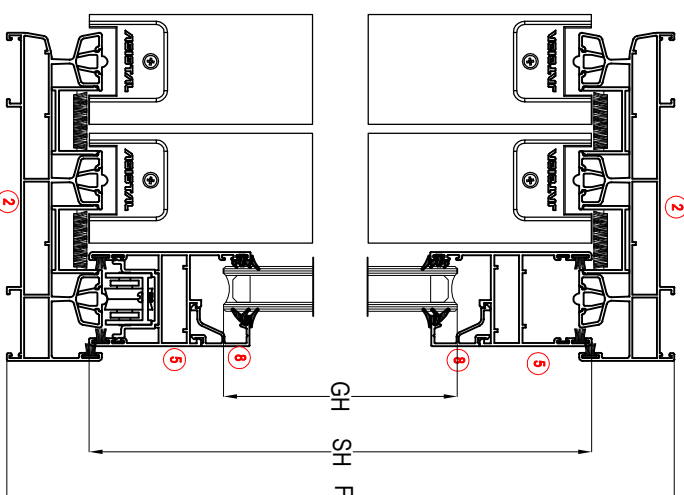


NORMAL SÜRME SİSTEMİ  
NORMAL SLIDING SYSTEM



İSPANVOLET KİLİTLEME İÇİN AKSESUARLAR / ACCESSORIES FOR MULTI POINT LOCKING

MİKTAR / Unit	KOD / Code	PROFİL ÇİZİMİ / Drawing	PROFİL TANIMI / Description	KESİM ÖLÇÜSÜ / Cutting Dimensions
2 Adet / Pcs	ASH-SP 15.3		İSPANVOLET KİLİTLEME / Multi Point Lock	
6 Adet / Pcs	ASH-SP K03		İSPANVOLET KİLİT KAŞIĞI / Multi Point Strike	
2 Adet / Pcs	ASH-WH 002		İSPANVOLET KİLİTLEME KOL / Window Handle	
2 Adet / Pcs	SL40-KNL		İSPANVOLET KİLİTLEME KANAL PROFİLİ / Multi Lock Profile	1600mm



GH SH FH

#### PROFİLER / PROFILES

NO / Number	ADET / Unit	KOD / Code	PROFİL ÇİZİMİ / Drawing	PROFİL TANIMI / Description	KESİM ÖLÇÜSÜ / Cutting Dimensions
1	2	SL40 04		DÜŞEY KASA PROFİLİ / Vertical Frame Profile	FH
2	2	SL40 04		YATAY KASA PROFİLİ / Horizontal Frame Profile	FW
3	2	SL40 44		KASA KANAL PROFİLİ / Frame Channel Profile	FH
4	6	SL40 11		DÜŞEY KANAT PROFİLİ / Vertical Sash Profile	SH=FH-70mm
5	6	SL40 11		YATAY KANAT PROFİLİ / Horizontal Frame Profile	SH=FW/3 + 18mm
6	4	SL40 41		KENET PROFİLİ / Central Locking Profile	SL40 41=SH
7	6	11 - 010		G1 = DÜŞEY CAM ÇİTASI / Vertical Glazing Bead	SH-144mm
8	6	11 - 010		G2 = YATAY CAM ÇİTASI / Horizontal Glazing Bead	SW-100mm
4	4	SL40-PLU 01		YATAY KASA KANAL PVC / Horizontal PVC Channel Profile	FW-40mm
4	4	SL40-PLU 01		DÜŞEY KASA KANAL PVC / Vertical PVC Channel Profile	FH-40mm
3		SL40 61		ALÜMİNYUM RAY PROFİLİ / Aluminium Rail Profile	FW-85mm

#### FİTİLLER / GASKETS

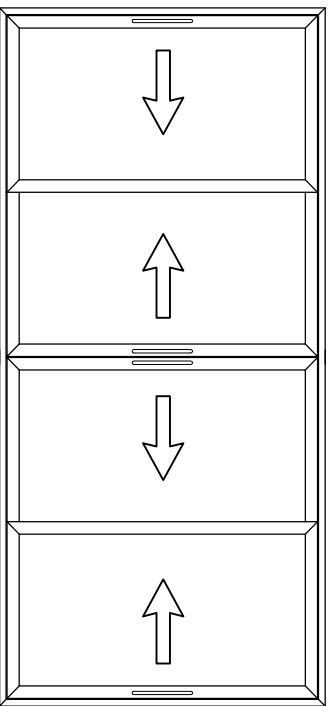
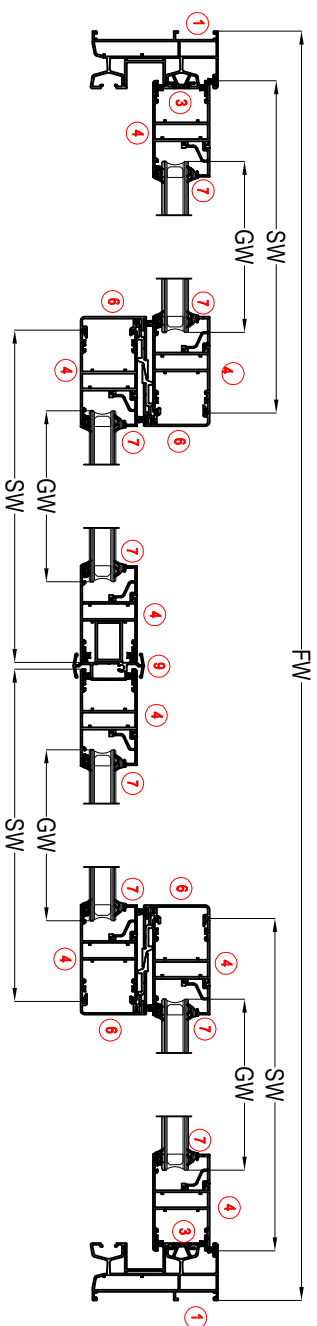
MİKTAR / Unit	KOD / Code	PROFİL ÇİZİMİ / Drawing	PROFİL TANIMI / Description	KESİM ÖLÇÜSÜ / Cutting Dimensions
mt	EP2-03		İÇ CAM FİTİLİ / Inner Glazing Gasket	(6G1) * (6G2)
mt	EP4-01		DİŞ CAM FİTİLİ / Outer Glazing Gasket	(6G1) * (6G2)
mt	SKF-01		KASA KANAL FİTİLİ / Frame Gasket	(4A)FH * (4A)FW
mt	KF 67-700		FİRÇA FİTİLİ / Brush Gasket - 7mm	(8xSH) * (2xSH) * (2xH) * (2xH)

#### AKSESUARLAR / ACCESSORIES

4 Adet / Pcs	AS1-STP 03		KANAT STOPER / Sash Stopper	
8 Adet / Pcs	SL40-KP01		KENET KAPPAĞI / AL-TÜST / Interlock Profile Cap Top-Bottom	
4 Adet / Pcs	AS1-SPF 01		AL-TÜST HAAYA KESİCİ EPDM / Bottom-Top Weatherstripping	
44 Adet / Pcs	AS1-SB 19		KÖŞE GÖNYESİ / Corner Alignment	
12 Adet / Pcs	AS1-PB 1126		KASA PİMLİ PRESS BAĞLANTI / Frame Corner Joint with Butlon	
12 Adet / Pcs	AS1-PP 1126		KANAT PİMLİ PRESS BAĞLANTI / Sash Corner Joint with Butlon	
6 Adet / Pcs	AS1-SR 03R		AKYARLI ÇİFTLİ RULMAN / Double Sliding Roller	

#### CAM KESİM ÖLÇÜLERİ / GLASS CUTTING SIZES

KOD / Code	TANIMI / Description	KESİM ÖLÇÜSÜ / Cutting Dimensions
GW	CAM GENİŞLİK / Sash Glass Width	GW=SW - 110mm
GH	CAM YÜKSEKLİK / Sash Glass Height	GH=SH - 110mm



### İSPANYOLET KİLİTLEMİ İÇİN AKSESUARLAR / ACCESSORIES FOR MULTI POINT LOCKING

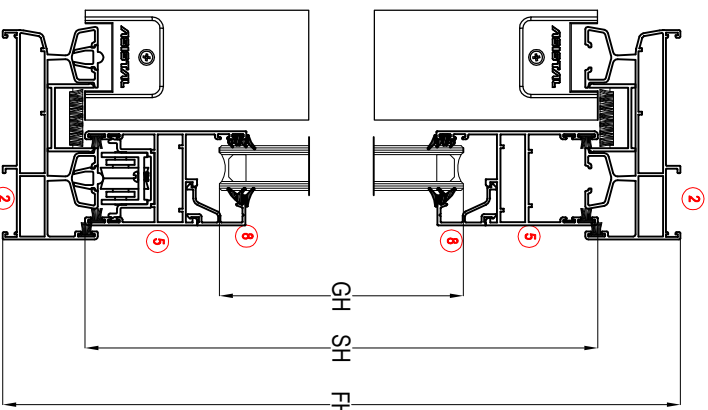
MİKTAR / Unit	KOD / Code	PROFİL ÇİZİMİ / Drawing	PROFİL TANIMI / Description	KESİM ÖLÇÜSÜ / Cutting Dimensions
3 Adet/ Pcs	AS-HSP 15.3		İSPANYOLET KİLİTLEMİ / Multi Point Lock	
9 Adet/ Pcs	AS-HSP K03		İSPANYOLET KİLİT KAŞIĞI / Multi Point Strike	
3 Adet/ Pcs	AS-WH 002		İSPANYOLET KİLİTLEMİ KOL / Window Handle	
3 Adet/ Pcs	SL40-KİL		İSPANYOLET KİLİTLEMİ KANAL PROFİLİ / Multi Lock Profile	1800mm

### HAVUZLU KOL KULLANIM AKSESUARLAR / ACCESSORIES FOR EMBEDDED HANDLES

MİKTAR / Set	ASİ-SH 007	ASİ-SH 007K	HAVUZLU KOL / Embedded Handle	HAVUZLU KOL KARŞILIK / Embedded Handle Strike
3 Adet/ Pcs	ASİ-SH 007			
3 Takım / Set		ASİ-SH 007K		

### CAM KESİM ÖLÇÜLERİ / GLASS CUTTING SIZES

KOD / Code	TANIMI / Description	KESİM ÖLÇÜSÜ / Cutting Dimensions
GW	CAM GENİŞLİK / Sash Glass Width	GW=SW - 10mm
GH	CAM YÜKSEKLİK / Sash Glass Height	GH=SH - 10mm



### PROFİLER / PROFILES

NO / Number	ADET / Unit	KOD / Code	PROFİL ÇİZİMİ / Drawing	PROFİL TANIMI / Description	KESİM ÖLÇÜSÜ / Cutting Dimensions
1	2	SL40 01 SL40 02 SL40 03		DÜŞEY KASA PROFİLİ / Vertical Frame Profile	FH
2	2	SL40 01 SL40 02 SL40 03		YATAY KASA PROFİLİ / Horizontal Frame Profile	FW
3	2	SL40 44		KASA KANAL PROFİLİ / Frame Channel Profile	FH
4	8	SL40 11		DÜŞEY KANAT PROFİLİ / Vertical Sash Profile	SH=EH-20mm
5	8	SL40 11		YATAY KANAT PROFİLİ / Horizontal Frame Profile	SW=FW/4-12.3mm
6	4	SL40 41		KENET PROFİLİ / Central Locking Profile	SL40 41=SH
7	8	11-010		G1 = DÜŞEY CAM ÇİTASI / Vertical Glazing Bead	SH-144mm
8	8	11-010		G2 = YATAY CAM ÇİTASI / Horizontal Glazing Bead	SW-100mm
9	1	SL40 42		ADAPTOR PROFİLİ / Adapter Profile	SH-30
	2	SL40-PLU 01		YATAY KASA KANAL PVC / Horizontal PVC Channel Profile	FW-40mm
	2	SL40-PLU 01		DÜŞEY KASA KANAL PVC / Vertical PVC Channel Profile	FH-40mm
	2	SL40 61		ALÜMİNYUM RAY PROFİLİ / Aluminium Rail Profile	FW-88mm

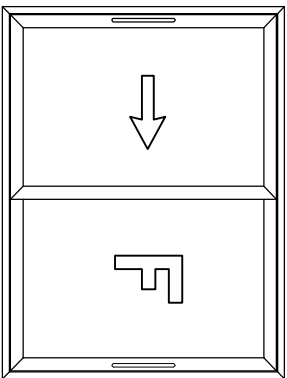
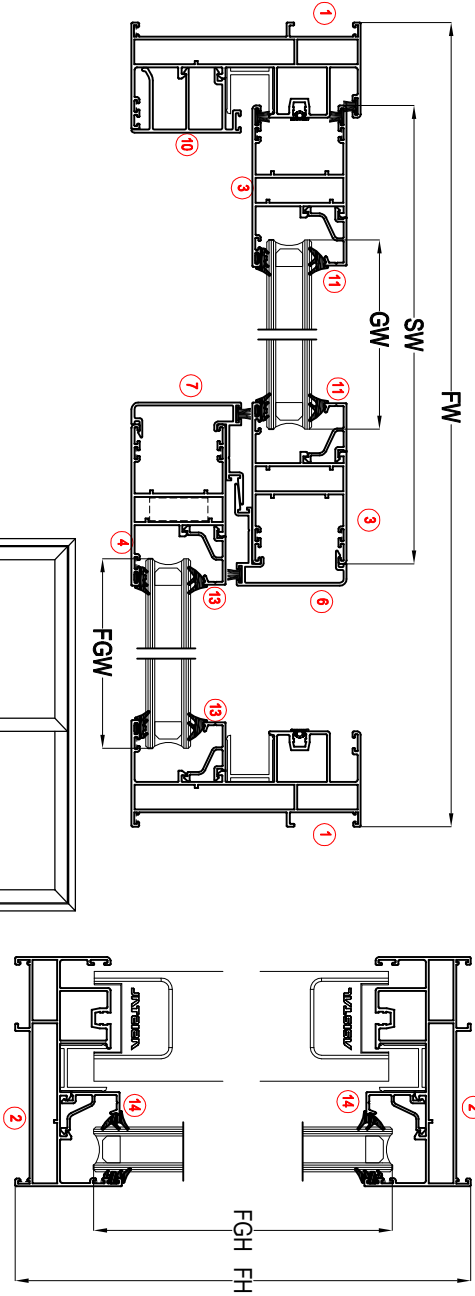
### FİTİLER / GASKETS

MİKTAR / Unit	KOD / Code	PROFİL ÇİZİMİ / Drawing	PROFİL TANIMI / Description	KESİM ÖLÇÜSÜ / Cutting Dimensions
mt	EP2-03		İÇ CAM FİTİLİ / Inner Glazing Gasket	(8xG1)+(8xG2)
mt	EP1-01		DİŞ CAM FİTİLİ / Outer Glazing Gasket	(8xG1)+(8xG2)
mt	SKF-01		KASA KANAL FİTİLİ / Frame Gasket	(2xFH)+(2xFW)
mt	KF 67-700		FİRÇA FİTİLİ / Brush Gasket - 7mm	(10xSH)+(8xSW)+(2xFH)+(2xFW)

### AKSESUARLAR / ACCESSORIES

MİKTAR / Pcs	ASİ-STP 03	ASİ-STP 03	KANAT STOPER / Sash Stopper
8 Adet/ Pcs	SL40-KP01		KENET KAPPAĞI ALT-ÜST / Interlock Profile Cap Top-Bottom
4 Adet/ Pcs	ASİ-SFP 01		ALT-ÜST HAVA KESİCİ EPDM / Bottom-Top Weather Protector
56 Adet/ Pcs	ASİ-SB 19		KÖŞE GÖNYESİ / Corner Alignment
8 Adet/ Pcs	ASİ-PB 1126 ASİ-KT 1126		KASA PİMLİ-PRESS BAĞLANTI / Frame Corner Joint with Bitton
16 Adet/ Pcs	ASİ-PB 1126 ASİ-KT 1126		KANAT PİMLİ-PRESS BAĞLANTI / Sash Corner Joint with Bitton
8 Adet/ Pcs	ASİ-SR 05R		AYARLI ÇİFTLİ RULMAN / Double Sliding Roller
2 Adet/ Pcs	SL40-KP02		4 LÜ KANAT KİLİTLEMİ ADAPTOR KAPPAĞI / Meeting Sile Cap Adapter




**İSPANVOLET KILITLEME İÇİN AKSESUARLAR / ACCESSORIES FOR MULTI POINT LOCKING**

MİKTAR / Unit	KOD / Code	PROFİL ÇİZİMİ / Drawing	PROFİL TANIMI / Description	KESİM ÖLÇÜSÜ / Cutting Dimensions
1 Adet / Pcs	AS-İSP 15.3		İSPANVOLET KILITLEME / Multi Point Lock	
3 Adet / Pcs	AS-İSP K03		İSPANVOLET KILIT KARŞILIĞI / Multi Point Strike	
1 Adet / Pcs	AS-İWH 002		İSPANVOLET KILITLEME KOL / Window Handle	
1 Adet / Pcs	SL40-KYL		İSPANVOLET KILITLEME KANAL PROFİLİ / Multi Lock Profile	180mm
<b>HAVUZLU KOL KULLANIM AKSESUARLAR / ACCESSORIES FOR EMBEDDED HANDLES</b>				
1 Adet / Pcs	AS-İSH 007		HAVUZ KOL / Embedded Handle	
1 Takım / Set	AS-İSH 007K		HAVUZLU KOL KARŞILIĞI / Embedded Handle Strike	

**CAM KESİM ÖLÇÜLERİ / GLASS CUTTING SIZES**

KOD / Code	TANIMI / Description	KESİM ÖLÇÜSÜ / Cutting Dimensions
GW	HAREKETLİ KANAT CAM GENİŞLİK / Sash Glass Width	GW=SW - 10mm
GH	HAREKETLİ KANAT CAM YÜKSEKLİK / Sash Glass Height	GH=SH - 110mm
FGW	SABİT KISIM CAM GENİŞLİK / Fixed Glass Width	FGW=GW
FGH	SABİT KISIM CAM YÜKSEKLİK / Fixed Glass Height	FGH=HH - 70mm

**PROFİLLER / PROFILES**

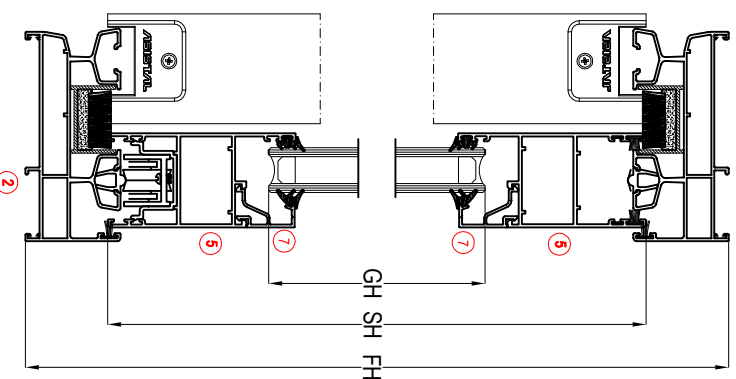
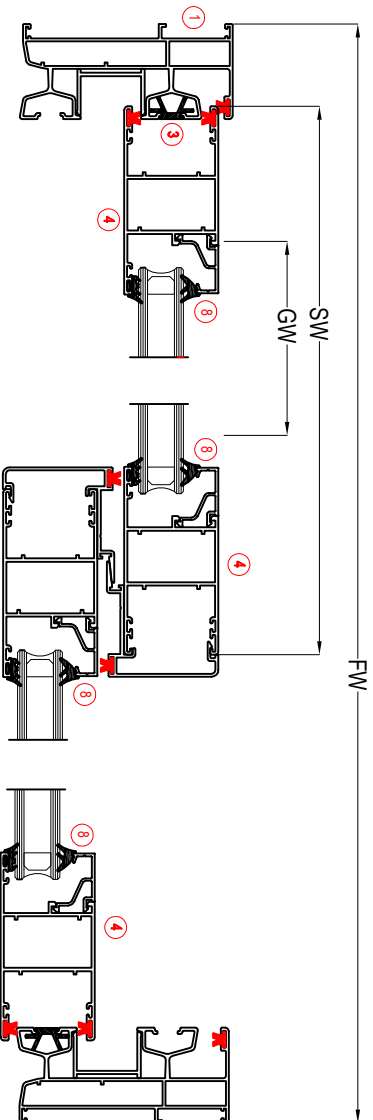
NO / Number	ADET / Unit	KOD / Code	PROFİL ÇİZİMİ / Drawing	PROFİL TANIMI / Description	KESİM ÖLÇÜSÜ / Cutting Dimensions
1	2	SL40.07		DÜŞEY KASA PROFİLİ / Vertical Frame Profile	FH
2	2	SL40.07		YATAY KASA PROFİLİ / Horizontal Frame Profile	FW
3	2	SL40.11		DÜŞEY KANAT PROFİLİ / Vertical Sash Profile	SH=HH-70mm
4	2	SL40.11		YATAY KANAT PROFİLİ / Horizontal Frame Profile	SH=FW2 + 25.1mm
5	1	SL40.11		ORTA KAYIT KANAT PROFİLİ	FW-90 mm
6	1	SL40.41		KENET PROFİLİ / Central Locking Profile	SL40.41=SH
7	1	SL40.41		KENET PROFİLİ / Central Locking Profile	FW - 50 mm
8	1	SL40.81		KAPAK PROFİLİ / Cover Profile	FW/2 - 35.5 mm
9	1	SL40.81		KAPAK PROFİLİ / Cover Profile	FH - 100 mm
10	1	SL40.82		KAPAK PROFİLİ / Cover Profile	FW/2 - 35.5 mm
11	2	11 - 010		G1= DÜŞEY CAM ÇİTASI / Vertical Glazing Bead	SH-114.4mm
12	2	11 - 010		G2 = YATAY CAM ÇİTASI / Horizontal Glazing Bead	SH-100mm
13	2	11 - 010		G1= DÜŞEY CAM ÇİTASI / Vertical Glazing Bead	FH-94 mm
14	2	11 - 010		G2 = YATAY CAM ÇİTASI / Horizontal Glazing Bead	FW-2 - 75 mm
	2	SL40-PLU.02		YATAY KASA KANAL PVC / Horizontal PVC Channel Profile	FW-40mm
	2	SL40-PLU.02		DÜŞEY KASA KANAL PVC / Vertical PVC Channel Profile	FH-40mm
1		ASHNR-01		ÇELİK RAY PROFİLİ / Steel Rail Profile	FW-85mm

**FİTİLLER / GASKETS**

MİKTAR / Unit	KOD / Code	PROFİL ÇİZİMİ / Drawing	PROFİL TANIMI / Description	KESİM ÖLÇÜSÜ / Cutting Dimensions
mt	EP2-03		İÇ CAM FİTİLİ / Inner Glazing Gasket	(4xG1)+(4xG2)
mt	EP1-01		DİŞ CAM FİTİLİ / Outer Glazing Gasket	(4xG1)+(4xG2)
mt	INT1-03			(2xSH)+(SW)
mt	KF 67-700		FİRÇA FİTİLİ / Brush Gasket - 7mm	(4xSH)+(4xSW)+(2FH)+(2xFW)

**AKSESUARLAR / ACCESSORIES**

2 Adet / Pcs	AS-İSTP 03		KANAT STOPERİ / Sash Stopper	
2 Adet / Pcs	SL40-KP01		KENET KAPAĞI ALT-ÜST / Interlock Profile Cap Top-Bottom	
2 Adet / Pcs	AS-İSFP 02		ALT-ÜST HAVA KESİCİ EPDM / Bottom-Top Weather Protector	
24 Adet / Pcs	AS-İSB 19		KÖŞE GÖVYESİ / Corner Alignment	
8 Adet / Pcs	AS-İPB 1126 AS-İKT 1126		KASA PİMLİ-PRESS BAĞLANTI / Frame Corner Joint with Button	
4 Adet / Pcs	AS-İPB 1126 AS-İKT 1126		KANAT PİMLİ-PRESS BAĞLANTI / Sash Corner Joint with Button	
2 Adet / Pcs	AS-İSR 03R		AVRULU ÇİFTLİ RULMAN / Double Sliding Roller	



İSPANYOLET KİLİTLEMELERİ İÇİN AKSESUARLAR / ACCESSORIES FOR MULTI POINT LOCKING				
MİKTAR / Unit	KOD / Code	PROFİL ÇİZİMİ / Drawing	PROFİL TANIMI / Description	KESİM ÖLÇÜSÜ / Cutting Dimensions
2 Adet / Pcs	ASH-SP 15.3		İSPANYOLET KİLİTLEMELERİ / Multi Point Lock	
6 Adet / Pcs	ASH-SP K03		İSPANYOLET KİLİT BAĞLIĞI / Multi Point Strike	
2 Adet / Pcs	ASH-WH 002		İSPANYOLET KİLİTLEMELERİ KOLU / Window Handle	
2 Adet / Pcs	SL40-KNL		İSPANYOLET KİLİTLEMELERİ KANAL PROFİLİ / Multi Lock Profile	1800mm
HAVUZLU KOL KULLANIM AKSESUARLAR / ACCESSORIES FOR EMBEDDED HANDLES				
2 Adet / Pcs	ASH-SH 007		HAVUZ KOL / Embedded Handle	
2 Takım / Set	ASH-SH 007K		HAVUZLU KOL KARŞILIK / Embedded Handle Strike	

#### PROFİLLER / PROFILES

NO / Number	ADET / Unit	KOD / Code	PROFİL ÇİZİMİ / Drawing	PROFİL TANIMI / Description	KESİM ÖLÇÜSÜ / Cutting Dimensions
1	2	SL40 01 SL40 02 SL40 03		DÜŞEY KASA PROFİLİ / Vertical Frame Profile	FH
2	2	SL40 01 SL40 02 SL40 03		YATAY KASA PROFİLİ / Horizontal Frame Profile	FW
3	2	SL40 44		KASA KANAL PROFİLİ / Frame Channel Profile	FH
4	4	SL40 12		DÜŞEY KANAT PROFİLİ / Vertical Sash Profile	SH=FH-70mm
5	4	SL40 12		YATAY KANAT PROFİLİ / Horizontal Frame Profile	SW=FW/2±2,1mm
6	2	SL40 43		KENET PROFİLİ / Central locking Profile	SL40 41=SH
7	4	11 - 010		G1= DÜŞEY CAM ÇİTASI / Vertical Glazing Bead	SH-167mm
8	4	11 - 010		G2 = YATAY CAM ÇİTASI / Horizontal Glazing Bead	SW-1724mm
2	2	SL40-PLU 01		YATAY KASA KANAL PVC / Horizontal PVC Channel Profile	FW-40mm
2	2	SL40-PLU 01		DÜŞEY KASA KANAL PVC / Vertical PVC Channel Profile	FH-40mm
2	2	SL40 61		ALÜMİNYUM RAY PROFİLİ / Aluminium Rail Profile	FW-85

#### FİTİLLER / GASKETS

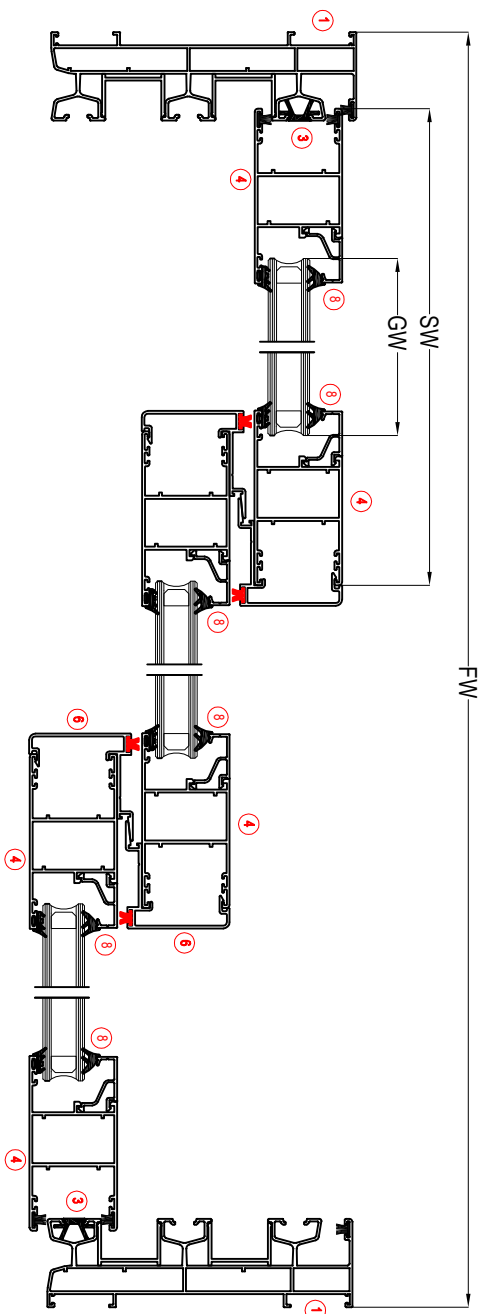
MİKTAR / Unit	KOD / Code	PROFİL ÇİZİMİ / Drawing	PROFİL TANIMI / Description	KESİM ÖLÇÜSÜ / Cutting Dimensions
mt	EP2-03		İÇ CAM FİTİLİ / Inner Glazing Gasket	(4G1)Y(4G2)
mt	EP4-01		DİŞ CAM FİTİLİ / Outer Glazing Gasket	(4G1)Y(4G2)
mt	SKF-01		KASA KANAL FİTİLİ / Frame Gasket	(2AFH)Y(2AFW)
mt	KF 67-700		FİRÇA FİTİLİ / Brush Gasket - 7mm	(6xSH)Y(6xSW)Y(2xH)Y(2xW)

#### AKSESUARLAR / ACCESSORIES

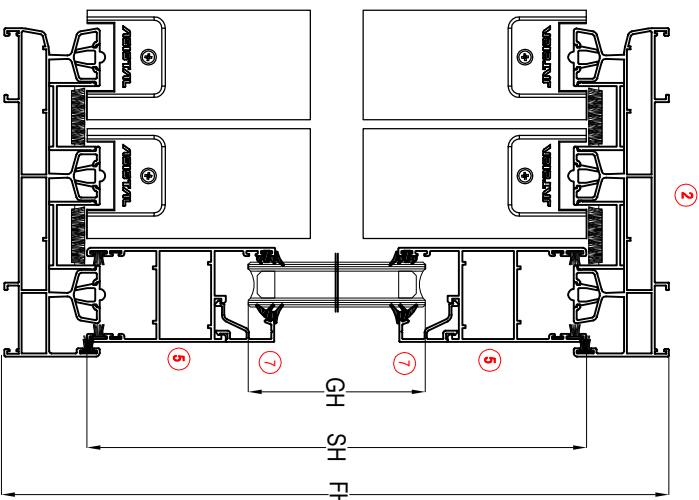
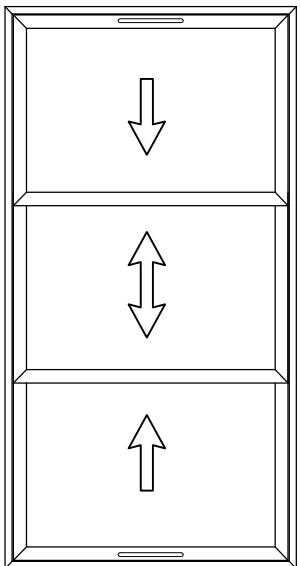
4 Adet / Pcs	ASH-STP 03		KANAT STOPER / Sash Stopper	
4 Adet / Pcs	SL40-KP01		KENET KAPPAĞI / AL-TÜST / Interlock Profile Cap Top-Bottom	
2 Adet / Pcs	ASH-SFP 01		AL-TÜST HAYA KESİCİ EPDM / Bottom-Top Weather Protector	
32 Adet / Pcs	ASH-SB 19		KÖŞE GÖNVERİ / Corner Alignment	
8 Adet / Pcs	ASH-PB 1126 ASH-KT 1126		KASA PİMLİ PRES BAĞLANTI / Frame Corner Joint with Butlon	
8 Adet / Pcs	ASH-PB 2326 ASH-KT 2360		KANAT PİMLİ PRES BAĞLANTI / Sash Corner Joint with Butlon	
4 Adet / Pcs	ASH-SR 03R		AKARLİ ÇİFTLİ RULMAN / Double Sliding Roller	

#### CAM KESİM ÖLÇÜLERİ / GLASS CUTTING SIZES

KOD / Code	TANIMI / Description	KESİM ÖLÇÜSÜ / Cutting Dimensions
GW	CAM GENİŞLİK / Sash Glass Width	GW=SW - 134mm
GH	CAM YÜKSEKLİK / Sash Glass Height	GH=SH - 134mm



PROFİLLER / PROFILES				KESİM ÖLÇÜSÜ / Cutting Dimensions
NO / Number	ADET / Unit	KOD / Code	PROFİL ÇİZİMİ / Drawing	PROFİL TANIMI / Description
1	2	SL40 04		DÜŞEY KASA PROFİLİ / Vertical Frame Profile
2	2	SL40 04		YATAY KASA PROFİLİ / Horizontal Frame Profile
3	2	SL40 44		KASA KANAL PROFİLİ / Frame Channel Profile
4	6	SL40 12		DÜŞEY KANAT PROFİLİ / Vertical Sash Profile
5	6	SL40 12		YATAY KANAT PROFİLİ / Horizontal Frame Profile
6	4	SL40 43		KENET PROFİLİ / Central Locking Profile
7	6	11 - 010		G1 = DÜŞEY CAM ÇITASI / Vertical Glazing Bead
8	6	11 - 010		G2 = YATAY CAM ÇITASI / Horizontal Glazing Bead
4	4	SL40-PLU 01		YATAY KASA KANAL PVC / Horizontal PVC Channel Profile
4	4	SL40-PLU 01		DÜŞEY KASA KANAL PVC / Vertical PVC Channel Profile
3		SL40 61		ALÜMİNYUM RAY PROFİLİ / Aluminium Rail Profile
				SW=FW/3 + 26mm
				SL40 41=SH
				SH=167mm
				SW=124mm
				FW=40mm
				FH=40mm
				FW=35mm



#### FİTİLLER / GASKETS

MİKTAR / Unit	KOD / Code	PROFİL ÇİZİMİ / Drawing	PROFİL TANIMI / Description	KESİM ÖLÇÜSÜ / Cutting Dimensions
mt	EP2-03		İÇ CAM FİTİLİ / Inner Glazing Gasket	(6G1) * (6G2)
mt	EP1-01		DİŞ CAM FİTİLİ / Outer Glazing Gasket	(6G1) * (6G2)
mt	SKF-01		KASA KANAL FİTİLİ / Frame Gasket	(4A)FH * (4A)FW
mt	KF 67-700		FİRÇA FİTİLİ / Brush Gasket - 7mm	(8xSH) * (2xSH) * (2xFW)

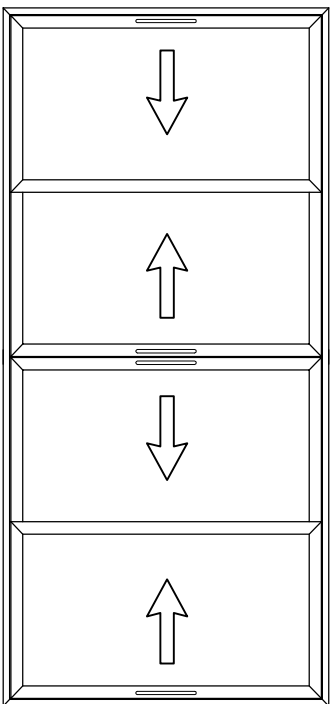
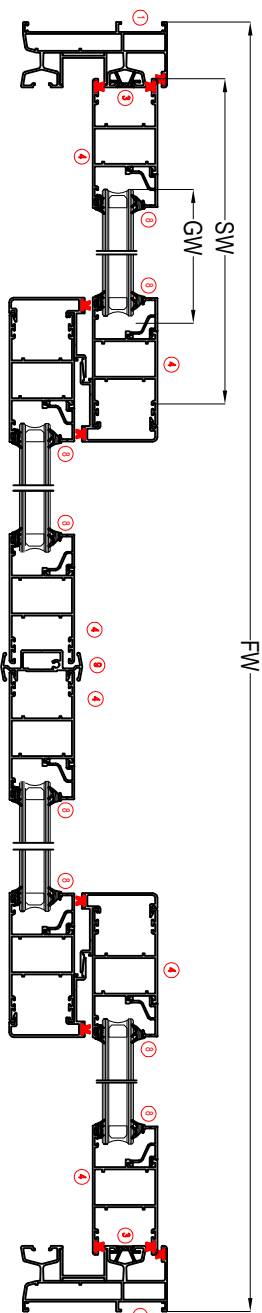
#### AKSESUARLAR / ACCESSORIES

4 Adet / Pcs	AS1-STP 03		KANAT STOPER / Sash Stopper
8 Adet / Pcs	SL40-KP01		KENET KAPAGI / AL-T-ÜST / Interlock Profile Cap Top-Bottom
4 Adet / Pcs	AS1-SFP 01		AL-T-ÜST HAAYA KESİCİ EPDM / Bottom-Top Weather Protector
44 Adet / Pcs	AS1-SB 19		KÖŞE GÖNVERİ / Corner Alignment
12 Adet / Pcs	AS1-PB 1126		KASA PİMLİ PRES BAĞLANTI / Frame Corner Joint with Butlon
12 Adet / Pcs	AS1-PR 2326		KANAT PİMLİ PRES BAĞLANTI / Sash Corner Joint with Butlon
6 Adet / Pcs	AS1-SR 05R		AKRİL ÇİFTLİ RULMAN / Double Sliding Roller

#### CAM KESİM ÖLÇÜLERİ / GLASS CUTTING SIZES

KOD / Code	TANIMI / Description	KESİM ÖLÇÜSÜ / Cutting Dimensions
GW	CAM GENİŞLİK / Sash Glass Width	GW=SW - 134mm
GH	CAM YÜKSEKLİK / Sash Glass Height	GH=SH - 134mm

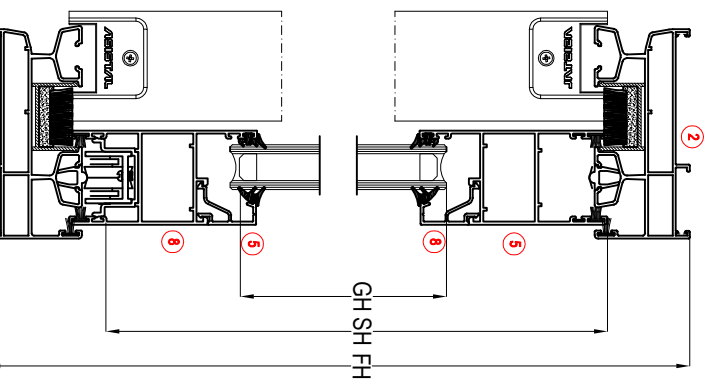
İSPANYOLET KİLİTLEME İÇİN AKSESUARLAR / ACCESSORIES FOR MULTI POINT LOCKING			KESİM ÖLÇÜSÜ / Cutting Dimensions
MİKTAR / Unit	KOD / Code	PROFİL ÇİZİMİ / Drawing	PROFİL TANIMI / Description
2 Adet / Pcs	AS1-SP 15.3		İSPANYOLET KİLİTLEME / Multi Point Lock
6 Adet / Pcs	AS1-SP K03		İSPANYOLET KİLİT KAŞIĞI / Multi Point Strike
2 Adet / Pcs	AS1-WH 002		İSPANYOLET KİLİTLEME KOL / Window Handle
2 Adet / Pcs	SL40-KNL		İSPANYOLET KİLİTLEME KANAL PROFİLİ / Multi Lock Profile
HAVUZLU KOL KULLANIM AKSESUARLAR / ACCESSORIES FOR EMBEDDED HANDLES			
2 Adet / Pcs	AS1-SH 007		HAVUZ KOL / Embedded Handle
2 Takım / Set	AS1-SH 007K		HAVUZLU KOL KAŞIĞI / Embedded Handle Strike



İSPANVOLET KİLİTLEMELERİ İÇİN AKSESUARLAR / ACCESSORIES FOR MULTI POINT LOCKING				
MİKTAR / Unit	KOD / Code	PROFİL ÇİZİMİ / Drawing	PROFİL TANIMI / Description	KESİM ÖLÇÜSÜ / Cutting Dimensions
3 Adet / Pcs	ASH-SP 15.3		İSPANVOLET KİLİTLEMELERİ / Multi Point Lock	
9 Adet / Pcs	ASH-SP K03		İSPANVOLET KİLİT KAŞIĞI / Multi Point Strike	
3 Adet / Pcs	ASH-WH 002		İSPANVOLET KİLİTLEMELERİ KOL / Window Handle	
3 Adet / Pcs	SL40-KNL		İSPANVOLET KİLİTLEMELERİ KANAL PROFİLİ / Multi Lock Profile	1800mm

#### HAVUZLU KOL KULLANIM AKSESUARLAR / ACCESSORIES FOR EMBEDDED HANDLES

HAVUZLU KOL KULLANIM AKSESUARLAR / ACCESSORIES FOR EMBEDDED HANDLES			
MİKTAR / Pcs	ASİ-SH 007		HAVUZ KOL / Embedded Handle
3 Adet / Pcs <td>ASİ-SH 007K <td> <th>HAVUZLU KOL KAŞIĞI / Embedded Handle Strike</th> </td></td>	ASİ-SH 007K <td> <th>HAVUZLU KOL KAŞIĞI / Embedded Handle Strike</th> </td>	<th>HAVUZLU KOL KAŞIĞI / Embedded Handle Strike</th>	HAVUZLU KOL KAŞIĞI / Embedded Handle Strike



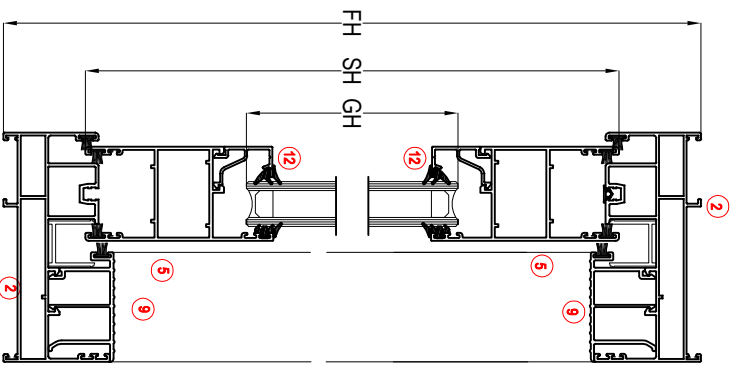
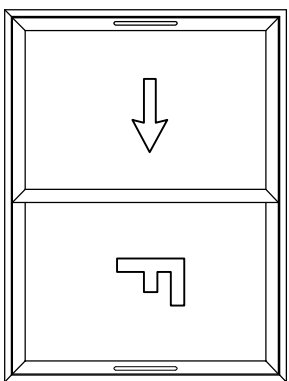
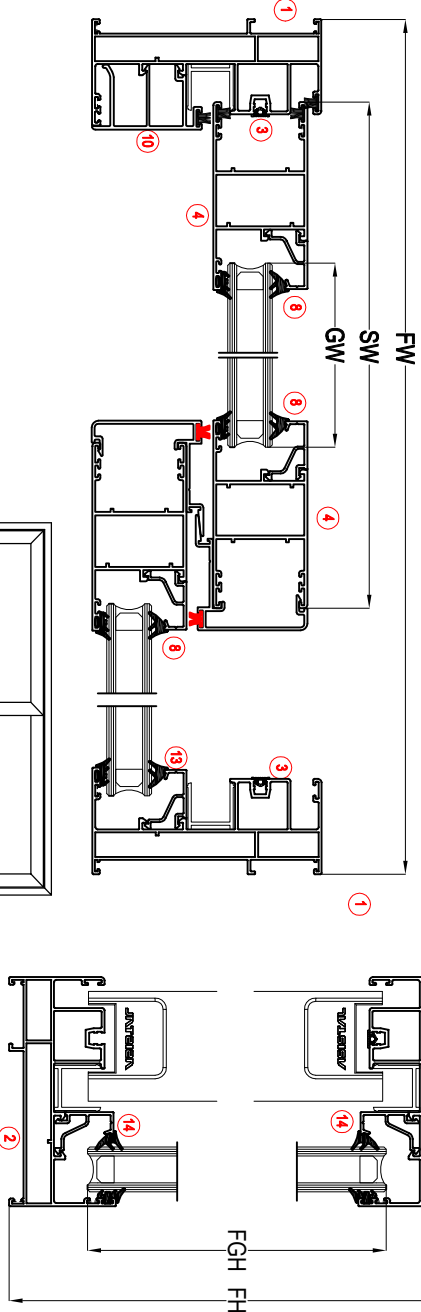
PROFİLER / PROFILES					
NO / Number	ADET / Unit	KOD / Code	PROFİL ÇİZİMİ / Drawing	PROFİL TANIMI / Description	KESİM ÖLÇÜSÜ / Cutting Dimensions
1	2	SL40 01 SL40 02 SL40 03		DÜŞEY KASA PROFİLİ / Vertical Frame Profile	FH
2	2	SL40 01 SL40 02 SL40 03		YATAY KASA PROFİLİ / Horizontal Frame Profile	FW
3	2	SL40 44		KASA KANAL PROFİLİ / Frame Channel Profile	FH
4	8	SL40 12		DÜŞEY KANAT PROFİLİ / Vertical Sash Profile	SH=EH-20mm
5	8	SL40 12		YATAY KANAT PROFİLİ / Horizontal Frame Profile	SH=FW/4-18.4mm
6	4	SL40 43		KENET PROFİLİ / Central Locking Profile	SL40 41=SH
7	8	11-010		G1 = DÜŞEY CAM ÇİTASI / Vertical Glazing Bead	SH-167mm
8	8	11-010		G2 = YATAY CAM ÇİTASI / Horizontal Glazing Bead	SW-124mm
9	1	SL40 42		ADAPTÖR PROFİLİ / Adapter Profile	SH-30
	2	SL40-PLU 01		YATAY KASA KANAL PVC / Horizontal PVC Channel Profile	FW-40mm
	2	SL40-PLU 01		DÜŞEY KASA KANAL PVC / Vertical PVC Channel Profile	FH-40mm
	2	SL40 61		ALÜMİNYUM RAY PROFİLİ / Aluminium Rail Profile	FW-88mm

#### FİTİLLER / GASKETS

MİKTAR / Unit	KOD / Code	PROFİL ÇİZİMİ / Drawing	PROFİL TANIMI / Description	KESİM ÖLÇÜSÜ / Cutting Dimensions
mt	EP2-03		İÇ CAM FİTİLİ / Inner Glazing Gasket	(8xG1)+(8xG2)
mt	EP1-01		DİŞ CAM FİTİLİ / Outer Glazing Gasket	(8xG1)+(8xG2)
mt	SKF-01		KASA KANAL FİTİLİ / Frame Gasket	(2xFH)+(2xFW)
mt	KF 67-700		FIRÇA FİTİLİ / Brush Gasket - 7mm	(10xSH)+(8xSV)+(2xFH)+(2xFW)

#### AKSESUARLAR / ACCESSORIES

6 Adet / Pcs	ASİ-STP 03		KANAT STOPER / Sash Stopper
8 Adet / Pcs	SL40-KP01		KENET KAPPAĞI ALT-ÜST / Innerlock Profile Cap Top-Bottom
4 Adet / Pcs	ASİ-SFP 01		ALT-ÜST HAVA KESİCİ EPDM / Bottom-Top Weather Protector
56 Adet / Pcs	ASİ-SB 19		KÖŞE GÖNYESİ / Corner Alignment
8 Adet / Pcs	ASİ-PB 1126 ASİ-KT 1126		KASA PİMLİ-PRESS BAĞLANTI / Frame Corner Joint with Butlon
16 Adet / Pcs	ASİ-PB 2326 ASİ-KT 2660		KANAT PİMLİ-PRESS BAĞLANTI / Sash Corner Joint with Butlon
8 Adet / Pcs	ASİ-SR 08R		AYARLI ÇİFTLİ ROLLMAN / Double Sliding Roller
2 Adet / Pcs	SL40-KP02		4 LÜ KANAT KİLİTLEMELERİ ADAPTÖR KAPPAĞI / Meeting Sile Cap Adapter

**SABİTLİ KASADA 1 HAREKETLİ KANAT KESİM ÖLÇÜLERİ**  
**1 SLIDING SASH IN FIXED FRAME CUTTING SIZE**

**İSPANVOLET KILITLEME İÇİN AKSESUARLAR / ACCESSORIES FOR MULTI POINT LOCKING**

MİKTAR / Unit	KOD / Code	PROFİL ÇİZİMİ / Drawing	PROFİL TANIMI / Description	KESİM ÖLÇÜSÜ / Cutting Dimensions
1 Adet / Pcs	ASL-SP-15.3		İSPANVOLET KILITLEME / Multi Point Lock	
3 Adet / Pcs	ASL-SP-K03		İSPANVOLET KILIT KARŞILIĞI / Multi Point Strike	
1 Adet / Pcs	ASL-WH-002		İSPANVOLET KILITLEME KOL / Window Handle	
1 Adet / Pcs	SL40-KNL		İSPANVOLET KILITLEME KANAL / Profile	1800mm
<b>HAVUZLU KOL KULLANIM AKSESUARLARI / ACCESSORIES FOR EMBEDDED HANDLES</b>				
1 Adet / Pcs	ASL-SH-007		HAVUZ KOL / Embedded Handle	
1 Takım / Set	ASL-SH-007K		HAVUZLU KOL KARŞILIĞI / Embedded Handle Strike	

**CAM KESİM ÖLÇÜLERİ / GLASS CUTTING SIZES**

KOD / Code	TANIMI / Description	KESİM ÖLÇÜSÜ / Cutting Dimensions
GW	HAREKETLİ KANAT CAM GENİŞLİK / Sash Glass Width	GW-SW - 134mm
GH	HAREKETLİ KANAT CAM YÜKSEKLİK / Sash Glass Height	GH-SH - 134mm
FGW	SABİT KISIM CAM GENİŞLİK / Fixed Glass Width	FGW-QW
FGH	SABİT KISIM CAM YÜKSEKLİK / Fixed Glass Height	FGH-FH - 70mm

**PROFİLLER / PROFILES**

NO / Number	ADET / Unit	KOD / Code	PROFİL ÇİZİMİ / Drawing	PROFİL TANIMI / Description	KESİM ÖLÇÜSÜ / Cutting Dimensions
1	2	SL40-07		DÜŞEY KASA PROFİLİ / Vertical Frame Profile	FH
2	2	SL40-07		YATAY KASA PROFİLİ / Horizontal Frame Profile	FW
3	2	SL40-12		DÜŞEY KANAT PROFİLİ / Vertical Sash Profile	SH=FH±70mm
4	2	SL40-12		YATAY KANAT PROFİLİ / Horizontal Frame Profile	SW=FW±2 + 36 mm
5	1	SL40-12		ORTA KANIT KANAT PROFİLİ	FW=50 mm
6	1	SL40-43		KENET PROFİLİ / Central Locking Profile	SL40.41=SH
7	1	SL40-43		KENET PROFİLİ / Central Locking Profile	FW=50 mm
8	1	SL40-81		KAPAK PROFİLİ / Cover Profile	FW/2 - 33.1 mm
9	1	SL40-81		KAPAK PROFİLİ / Cover Profile	FH - 98.6 mm
10	1	SL40-82		KAPAK PROFİLİ / Cover Profile	FW/2 - 33.7mm
11	2	11 - 010		G1= DÜŞEY CAM ÇİTASI / Vertical Glazing Bead	SH-16.7mm
12	2	11 - 010		G2 = YATAY CAM ÇİTASI / Horizontal Glazing Bead	SW-124mm
13	2	11 - 010		G1= DÜŞEY CAM ÇİTASI / Vertical Glazing Bead	FW-2.54.5 mm
14	2	11 - 010		G2 = YATAY CAM ÇİTASI / Horizontal Glazing Bead	FH-94 mm
	2	SL40-PLU-02		YATAY KASA KANAL / PVC / Horizontal PVC Channel Profile	FW-40mm
	2	SL40-PLU-02		DÜŞEY KASA KANAL / PVC / Vertical PVC Channel Profile	FH-40mm
	1	ASL-HR-01		ÇELİK RAY PROFİLİ / Steel Rail Profile	FW-85mm

**FİTİLLER / GASKETS**

MİKTAR / Unit	KOD / Code	PROFİL ÇİZİMİ / Drawing	PROFİL TANIMI / Description	KESİM ÖLÇÜSÜ / Cutting Dimensions
mt	EP-2-03		İÇ CAM FİTİL / Inner Glazing Gasket	(4xG1)×(4xG2)
mt	EP-1-01		DİŞ CAM FİTİL / Outer Glazing Gasket	(4xG1)×(4xG2)
mt	INT-1-03		KASA RAY KAPAMA FİTİLİ / Frame Rail Cover Gasket	(2xSH)×(SW)
mt	KF-67-700		FİRÇA FİTİL / Brush Gasket - 7mm	(4xSH)×(4xSW) + (2xFH)×(2xFW)

**AKSESUARLAR / ACCESSORIES**

2 Adet / Pcs	ASL-STP-03		KANAT STOPPER / Sash Stopper	
2 Adet / Pcs	SL40-KP01		KENET KAPAĞI ALT-ÜST / Interlock Profile Cap Top-Bottom	
2 Adet / Pcs	ASL-SFP-02		ALT-ÜST HAVALA KESİCİ EPDM / Bottom-Top Weather Protection	
20 Adet / Pcs	ASL-SB-19		KOŞE GÖNYESİ / Corner Alignment	
8 Adet / Pcs	ASL-PP-1128 ASL-KT-1126		KASA PİMLİ PRES BAĞLANTI / Frame Corner Joint with Button	
4 Adet / Pcs	ASL-KT-2680 ASL-KT-2680		KANAT PİMLİ PRES BAĞLANTI / Sash Corner Joint with Button	
2 Adet / Pcs	ASL-SR-08R		AVRULU ÇİFTLİ RULMAN / Double Sliding Roller	