

SL32 - 1,4mm

YALITIMSIZ SÜRME SİSTEMİ  
COLD SLIDING SYSTEM

**ASISTAL**

**KESİM VE MONTAJ ÇİZİMLERİ**  
***CUTTING & ASSEMBLY DRAWINGS***

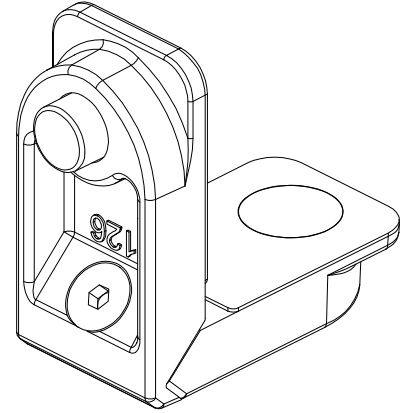
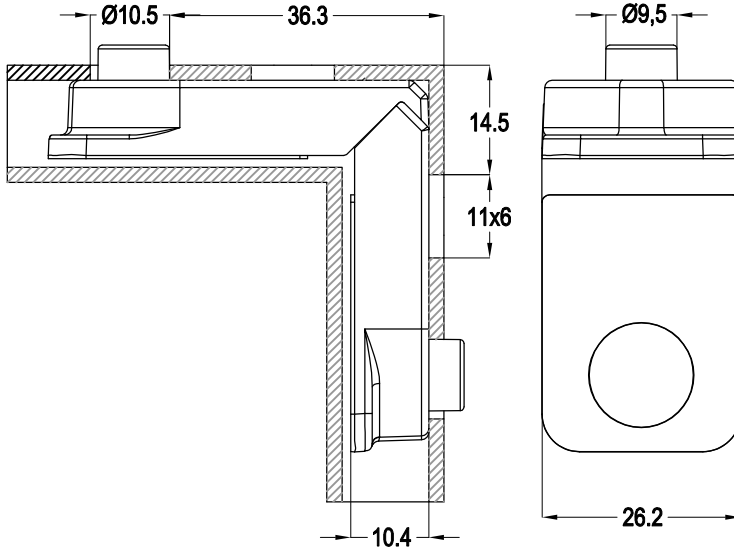
SL32 - 1,4mm

YALITIMSIZ SÜRME SİSTEM  
COLD SLIDING SYSTEM

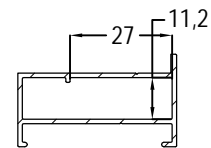
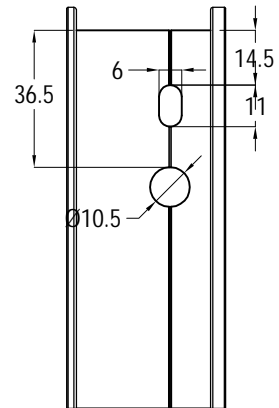
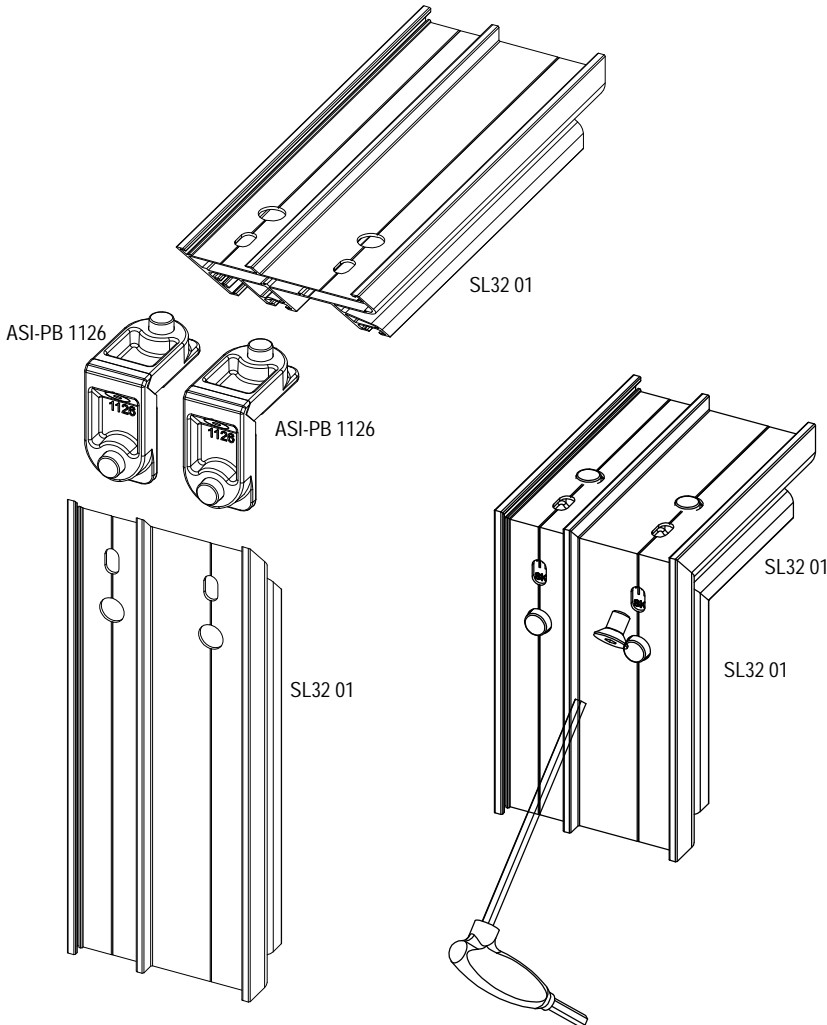
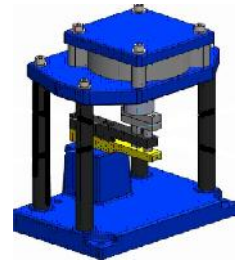


501 EKO PANÇ MAKİNESİ  
501 ECO PUNCH MACHINE

ASI-PB 1126



501 EKO PANÇ



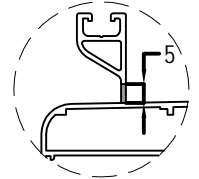
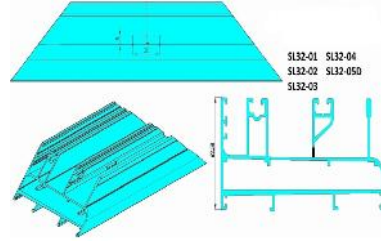
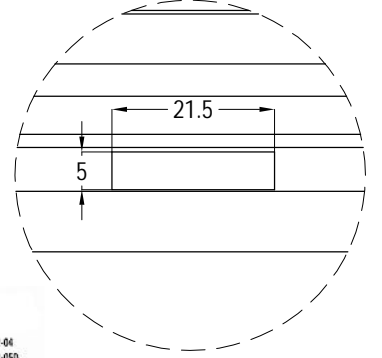
# SL32 - 1,4mm

YALITIMSIZ SÜRME SİSTEMİ  
COLD SLIDING SYSTEM

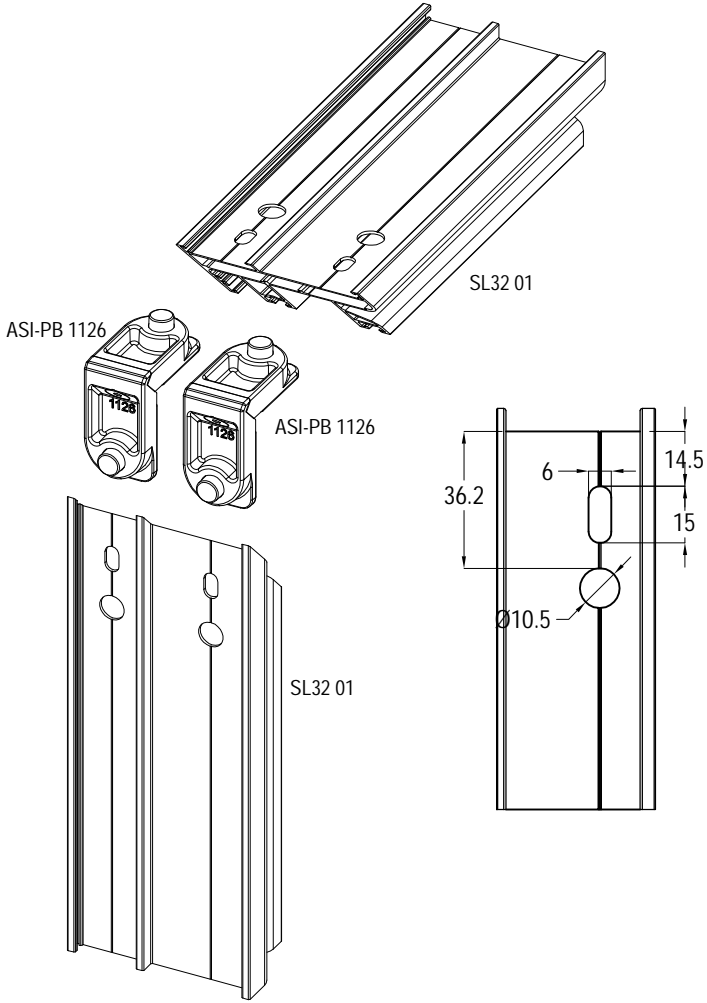
## ASISTAL

### PNC-SL32 PANÇ MAKİNESİ PNC-SL32 PUNCH MACHINE

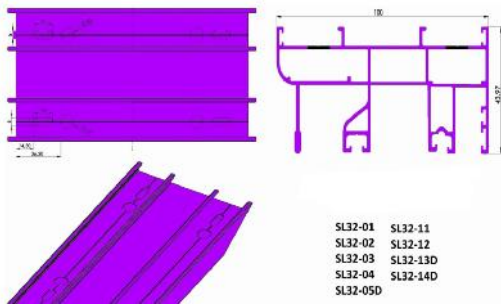
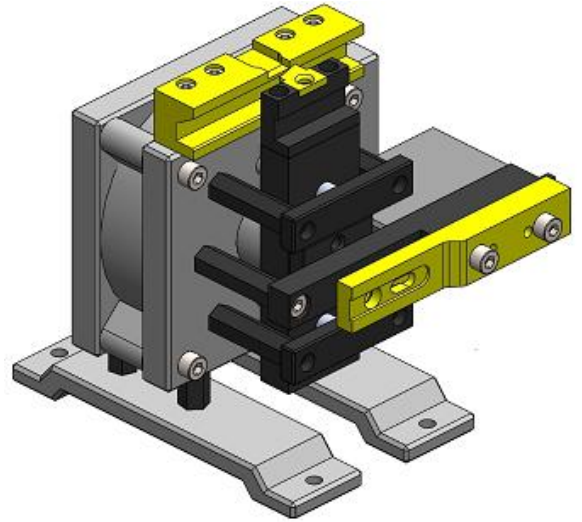
### SU TAHLİYE DELİĞİ WATER DRAINAGE



SU TAHLİYE DELİĞİ  
Water Drainage  
SL32 01  
SL32 02  
SL32 03  
SL32 04  
SL32 05D



### PNC-SL32

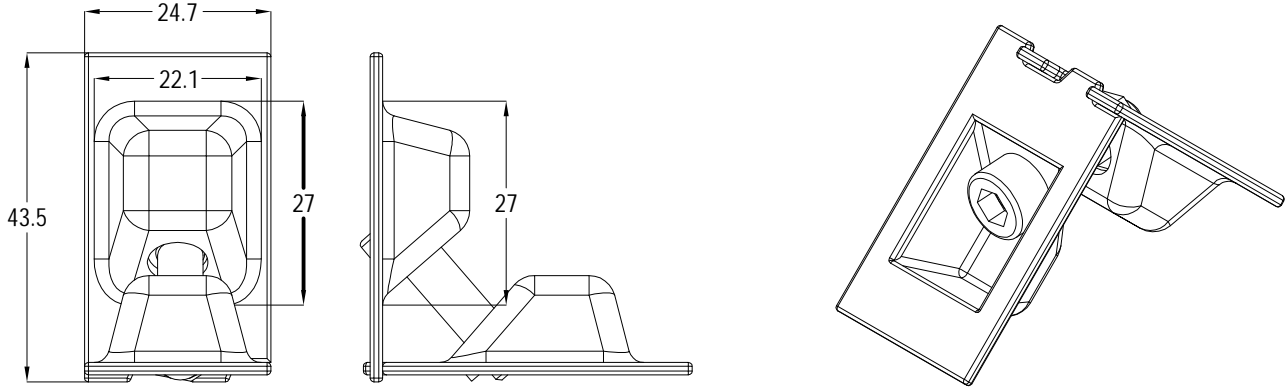


ASI-PB 1126 P M L K Ö E BA LANTI  
Ç N KASA DELME LEM  
Drill For Button Corner Joint  
SL32 01 SL32 11  
SL32 02 SL32 12  
SL32 03 SL32 13D  
SL32 04 SL32 14D  
SL32 05D

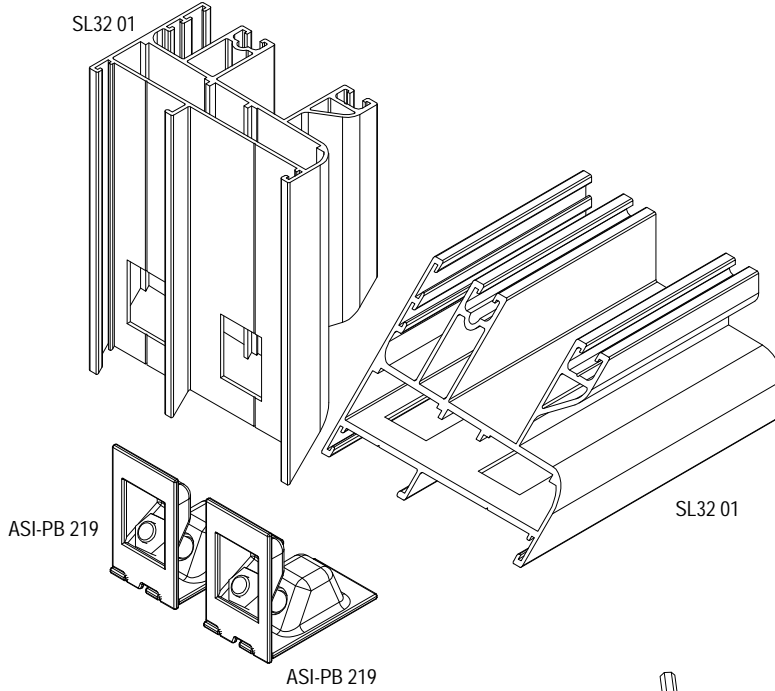


2. ÖNERİ KÖŞE BAĞLANTI MONTAJI : ASI-PB 219  
2. PROPOSAL ASSEMBLY FOR PIN CONNECTION : ASI-PB 219

ASI-PB 1126

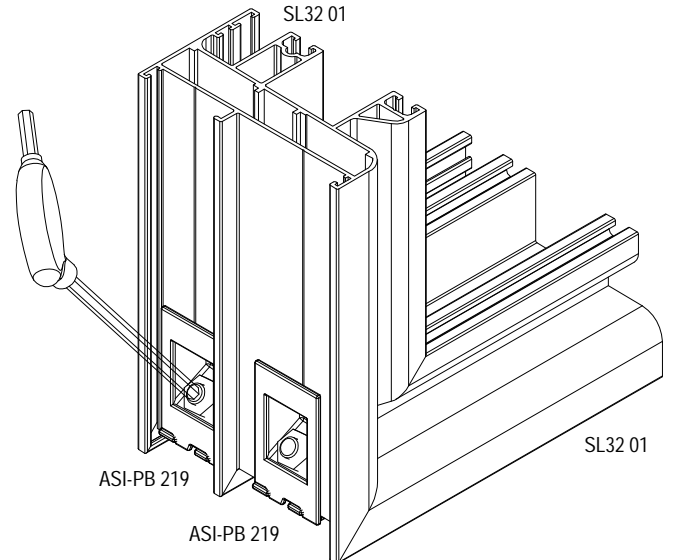


SL32 01



SL32 01

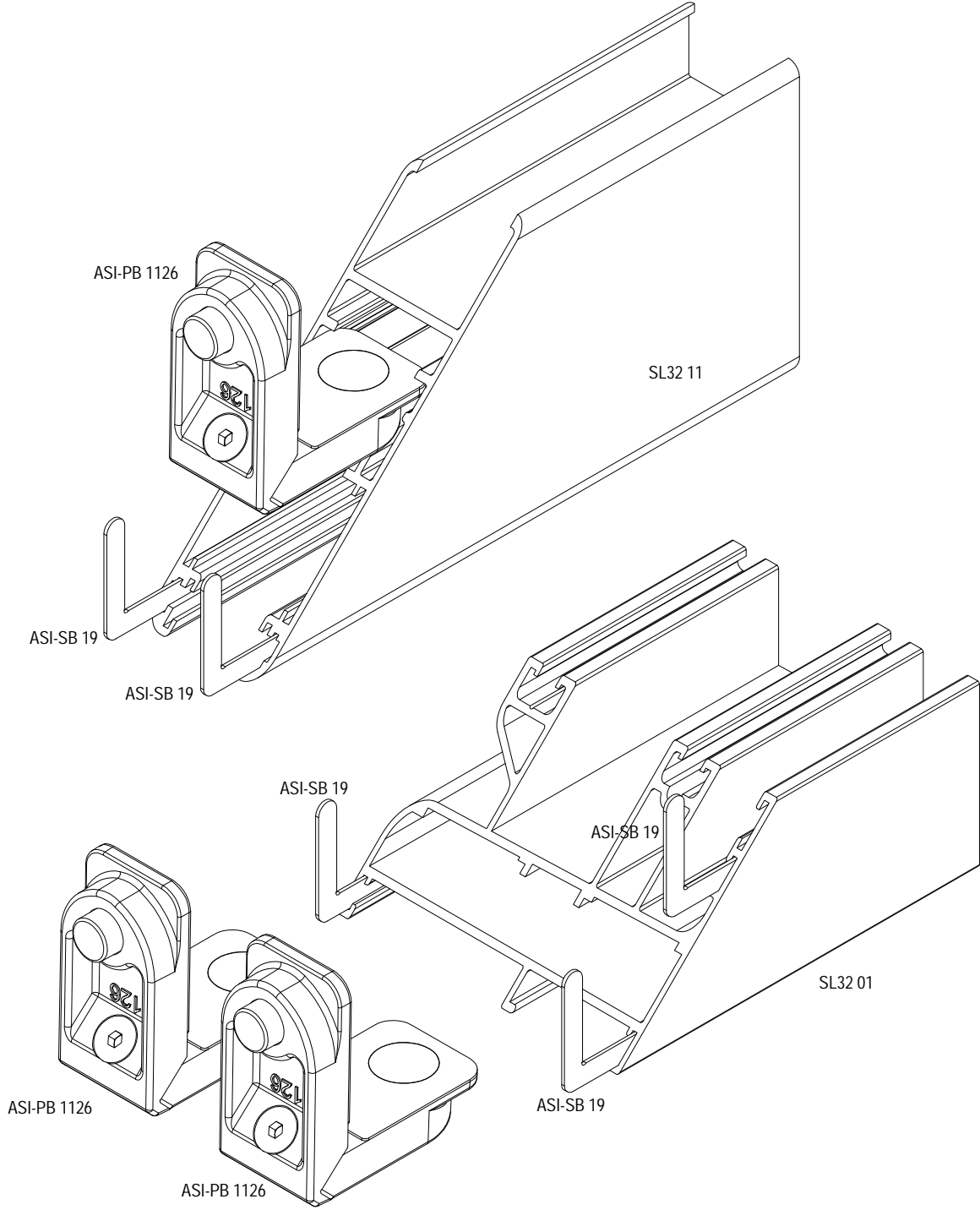
SL32 01

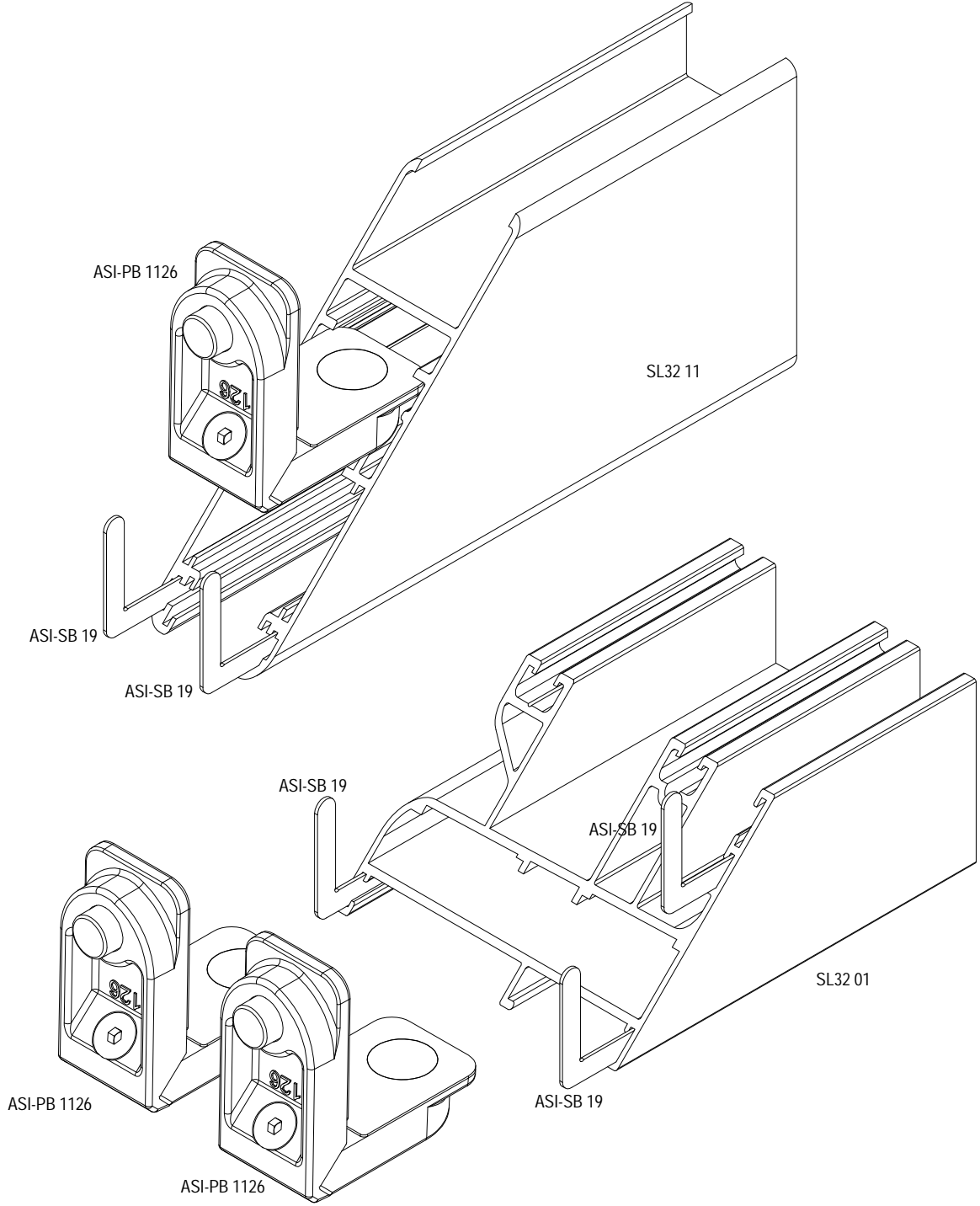


ASI-PB 219

ASI-PB 219

SL32 01

**KANAT - KASA KÖŞE BAĞLANTI MONTAJI**  
**FRAME - SASH CORNER JOINT ASSEMBLY**

**KANAT - KASA KÖŞE BAĞLANTI MONTAJI**  
**FRAME - SASH CORNER JOINT ASSEMBLY**

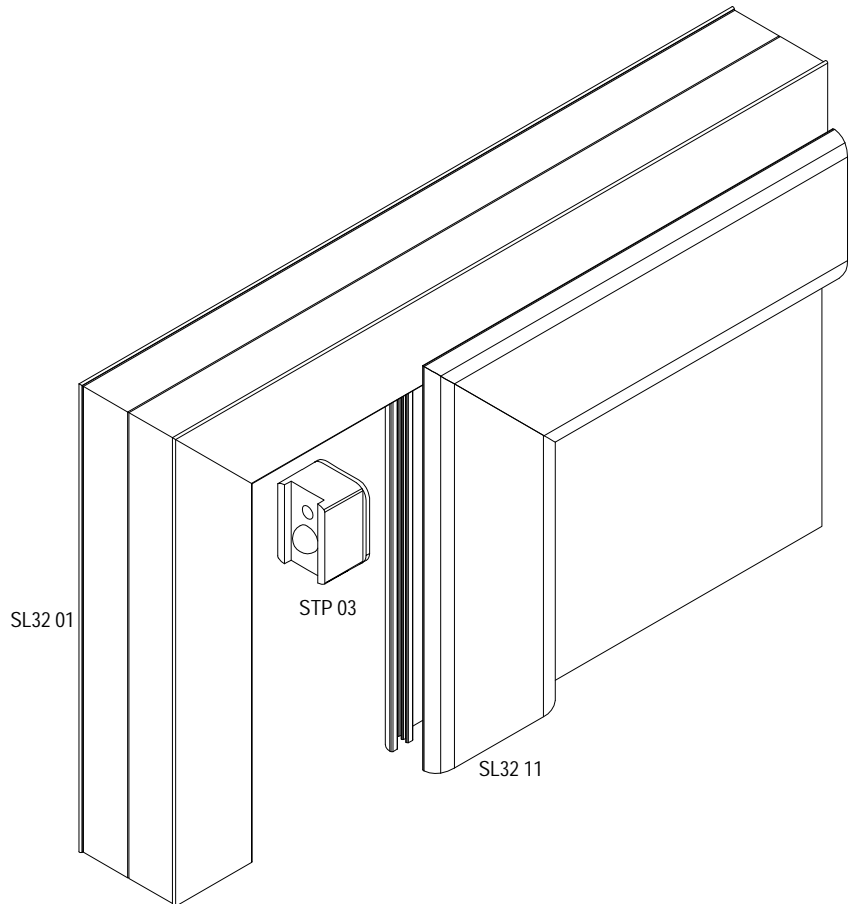
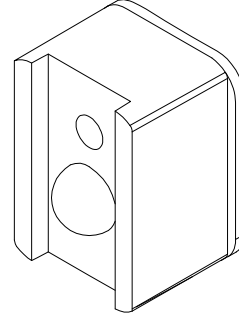
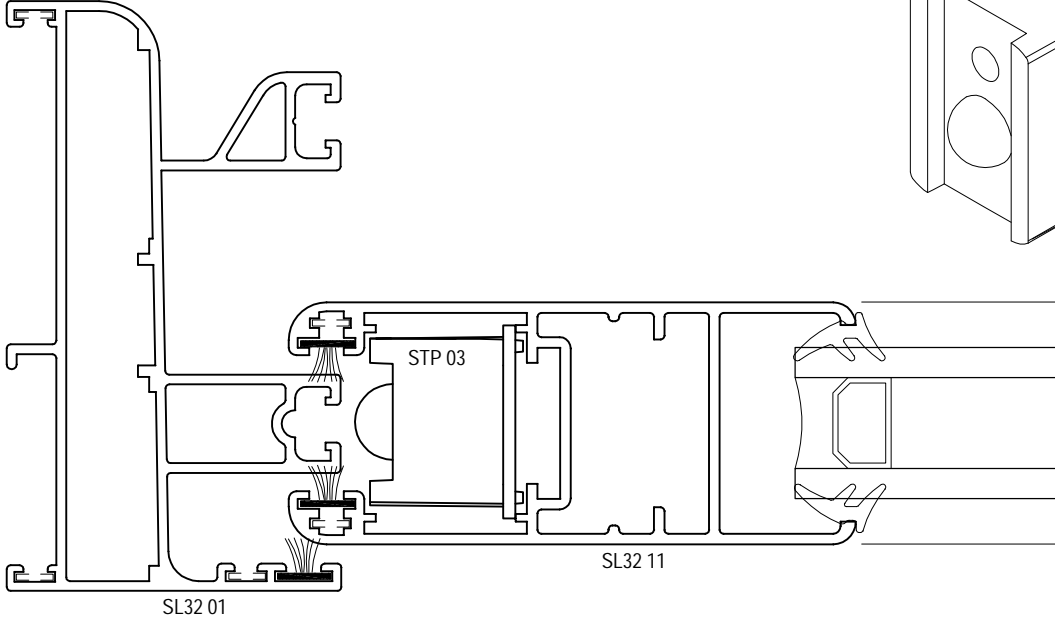
SL32 - 1,4mm

YALITIMSIZ SÜRME SİSTEMİ  
COLD SLIDING SYSTEM



KANAT STOPER MONTAJI : STP 03  
ASSEMBLY FOR SASH STOPPER : STP 03

STP 03



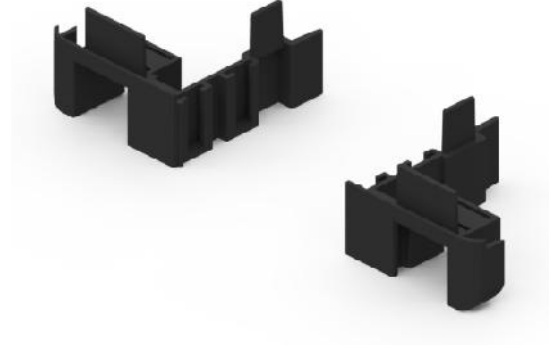
SL32 - 1,4mm

YALITIMSIZ SÜRME SİSTEMİ  
COLD SLIDING SYSTEM

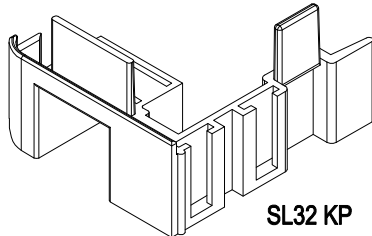
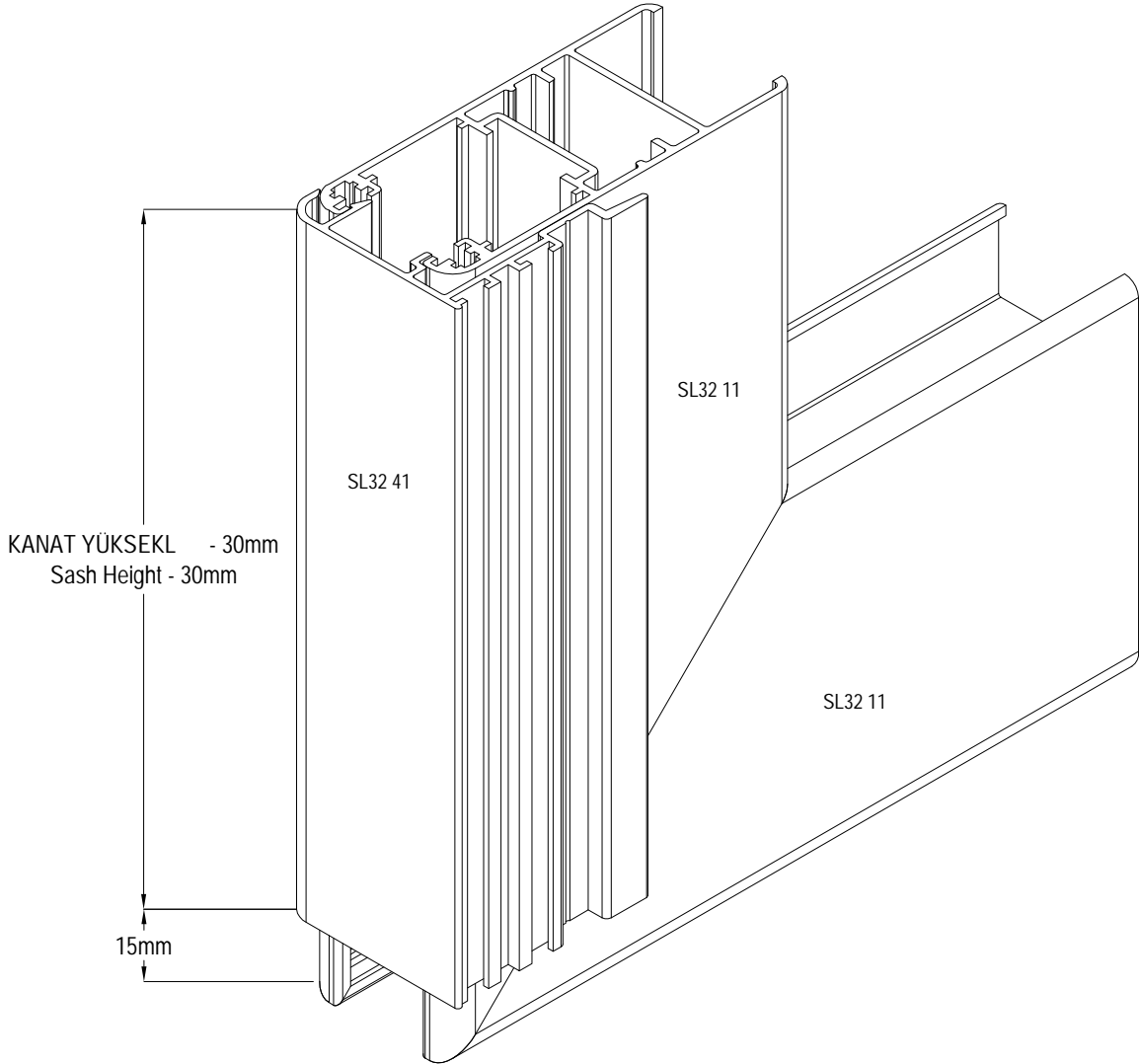
**ASISTAL**

## KENET KAPAĞI MONTAJI

ASSEMBLY FOR INTERLOCK PROFILE CAP



SL32 KP





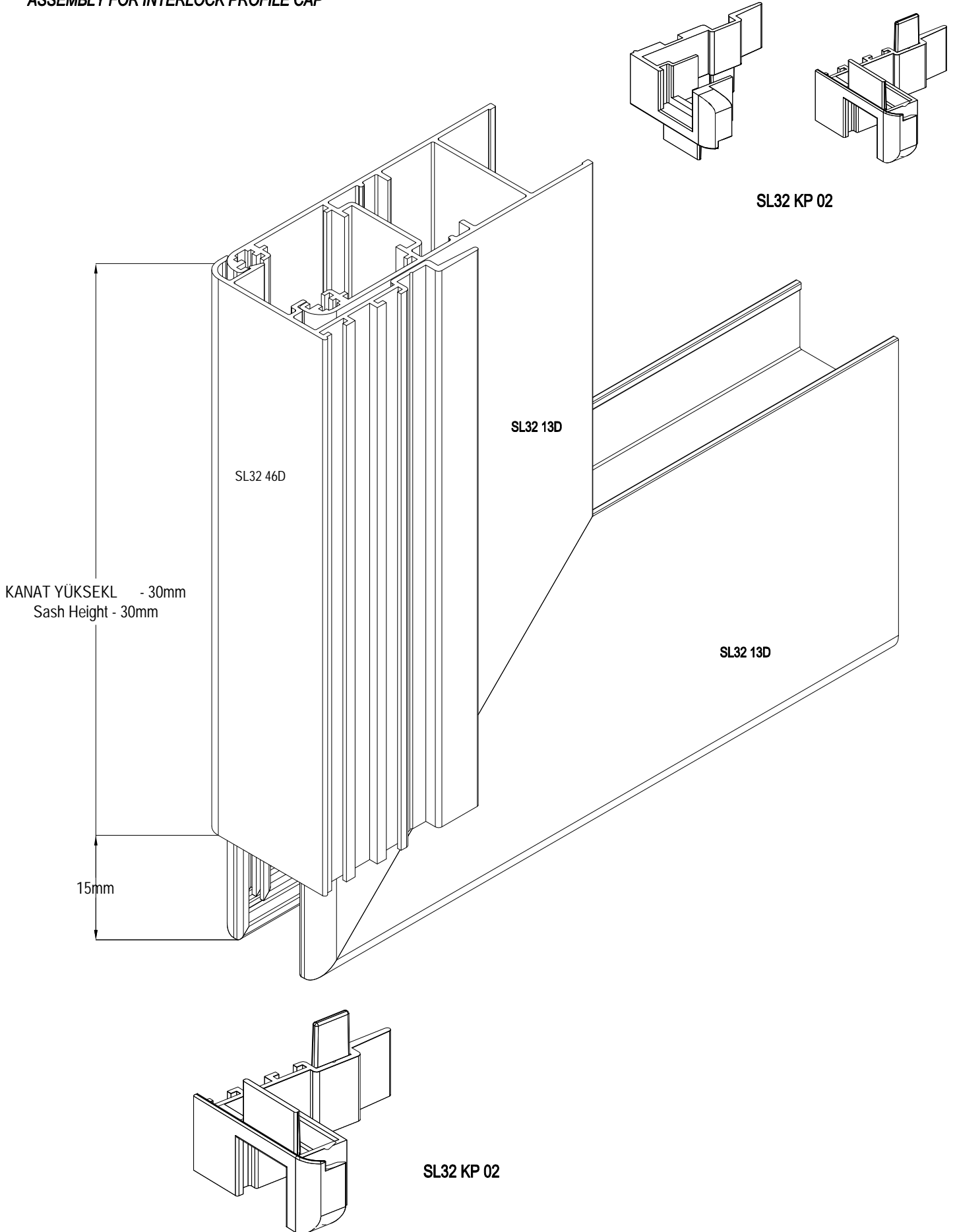
**SL32 - 1,4mm**

YALITIMSIZ SÜRME SİSTEM  
COLD SLIDING SYSTEM

**ASISTAL**

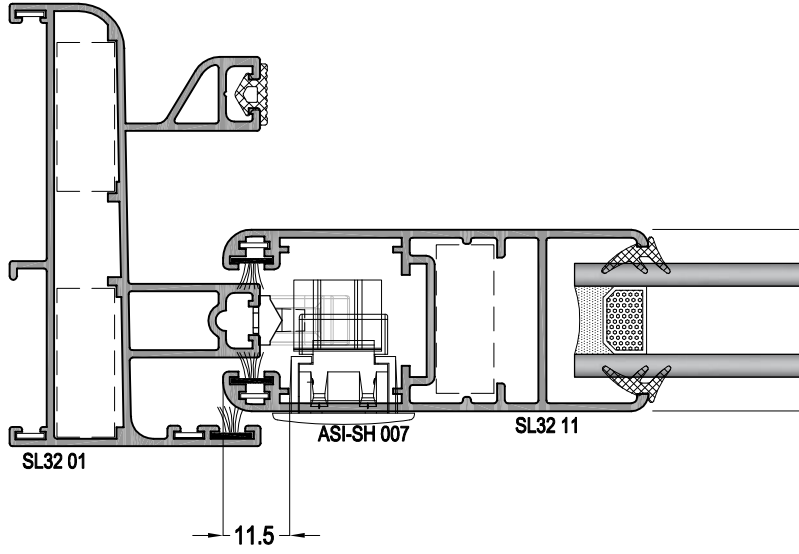
**KENET KAPAĞI MONTAJI**

**ASSEMBLY FOR INTERLOCK PROFILE CAP**

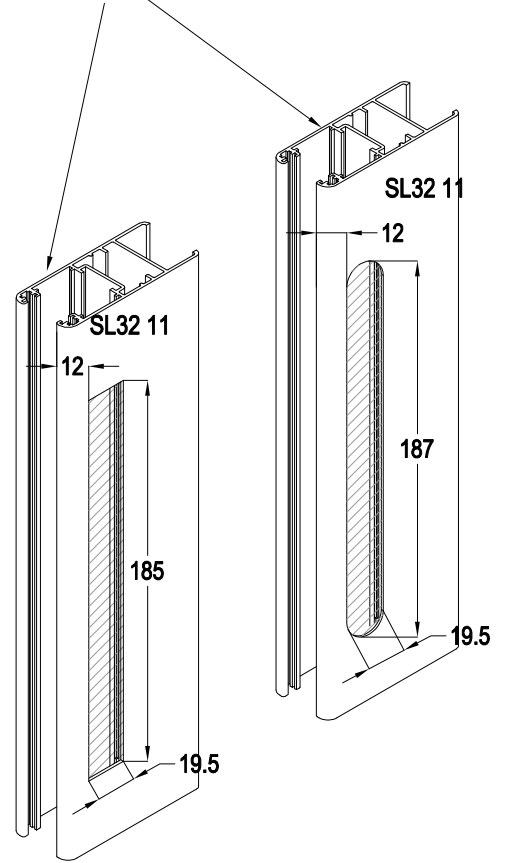


# SL32 - 1,4mm

YALITIMSIZ SÜRME SİSTEMİ  
COLD SLIDING SYSTEM

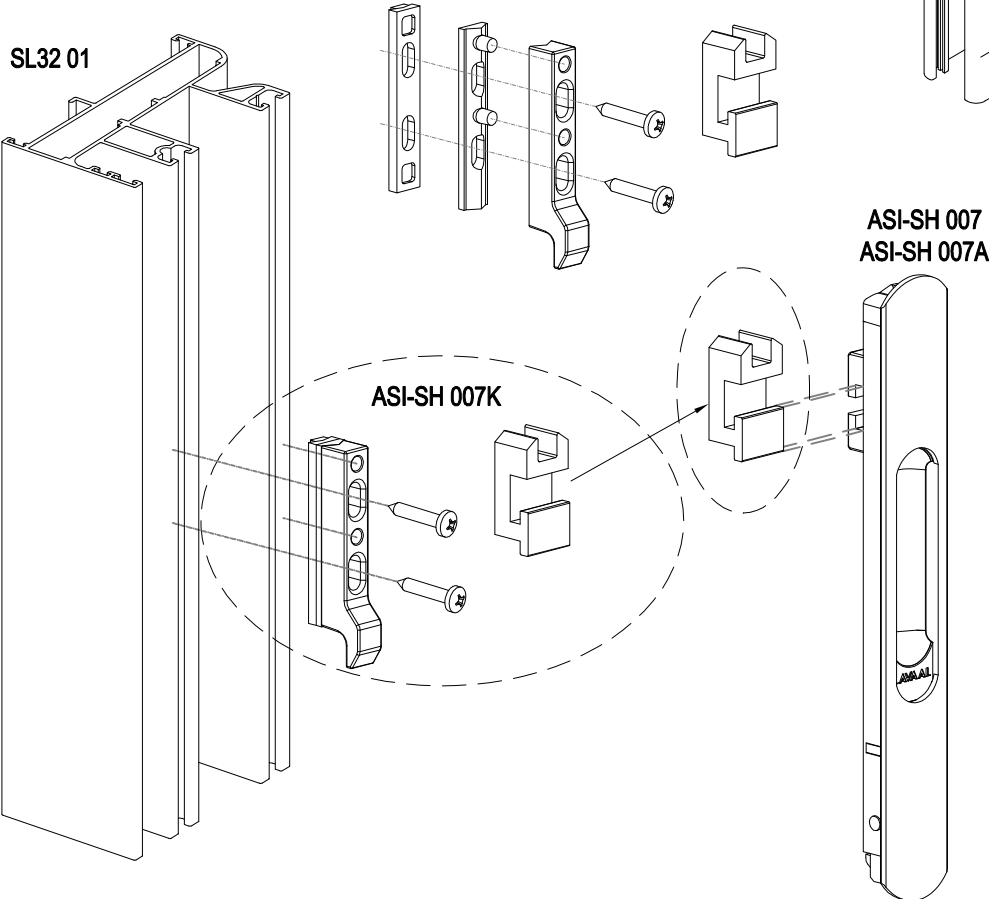


ASI-SH 007  
ASI-SH 007A  
ASI-SH 007B  
İÇİN KOL YERİ KESİM ÖLÇÜSÜ



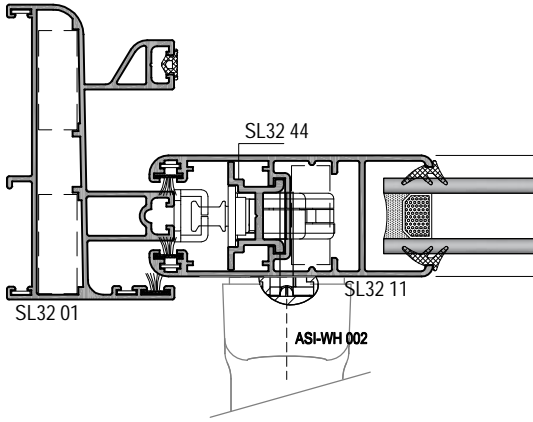
SL32 01

ASI-SH 007K



## İSPANYOLET KİLİTLEME : ASI-ISP 15

MULTI POINT LOCKING : ASI-ISP 15

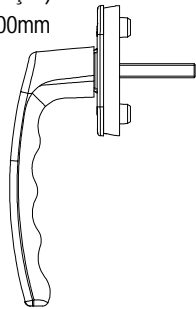


ASI-ISP15.0(400 mm L K SPANYOLET Ç N)  
KANAT YÜKSEKL (sash height) < 600mm  
SL32 44 = 400mm X 1 ADET  
ASI-ISP K03 = 2 ADET

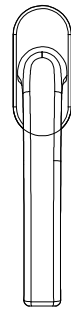
ASI-ISP15.1 (600 mm L K SPANYOLET Ç N)  
KANAT YÜKSEKL (sash height) < 1100mm  
SL32 44 = 600mm X 1 ADET  
ASI-ISP K03 = 2 ADET

ASI-ISP15.2 (1000mm L K SPANYOLET Ç N)  
1900mm < KANAT YÜKSEKL (sash height) > 1100mm  
SL32 44 = 1000mm X 1 ADET  
ASI-ISP K03 = 2 ADET

ASI-ISP15.3 (1800mm L K SPANYOLET Ç N)  
KANAT YÜKSEKL (sash height) > 1900mm  
SL32 44 = 1800mm X 1 ADET  
ASI-ISP K03 = 2 ADET



ASI-WH 002

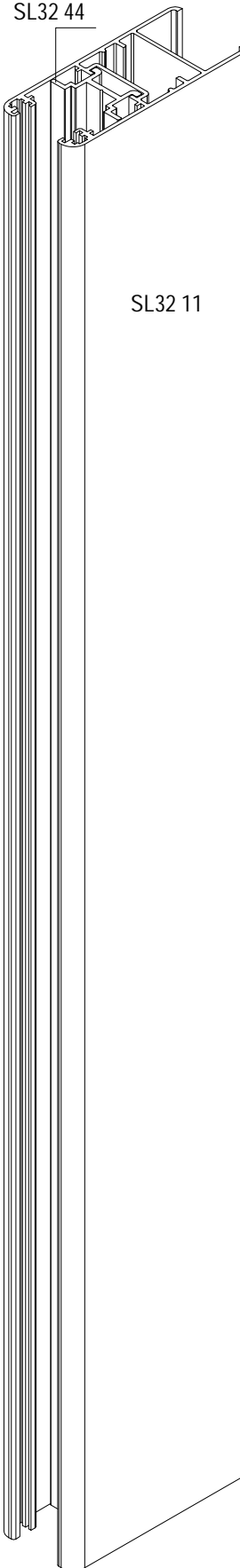
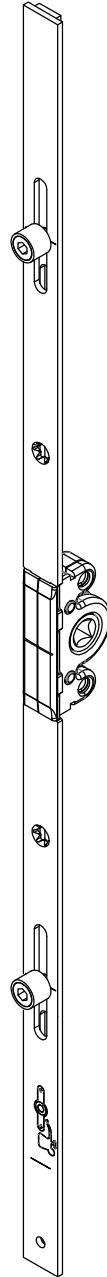


ASI-ISP K03



ASI-ISP K03

ASI-ISP 15.X



SL32 11

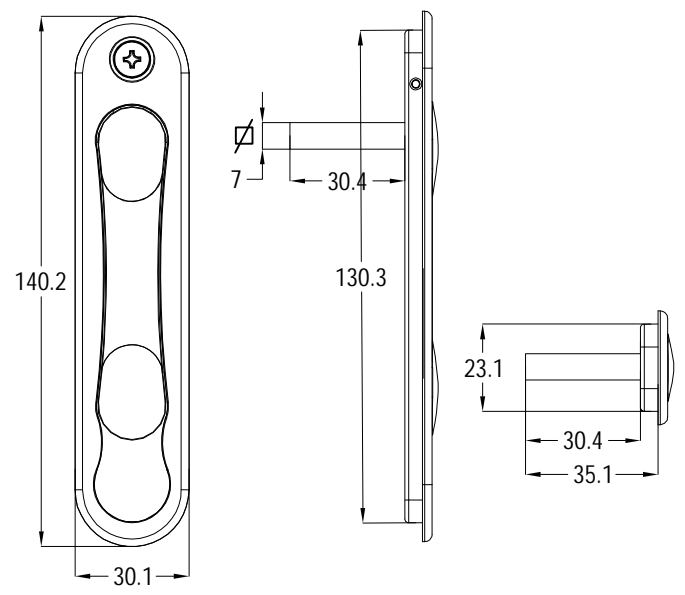
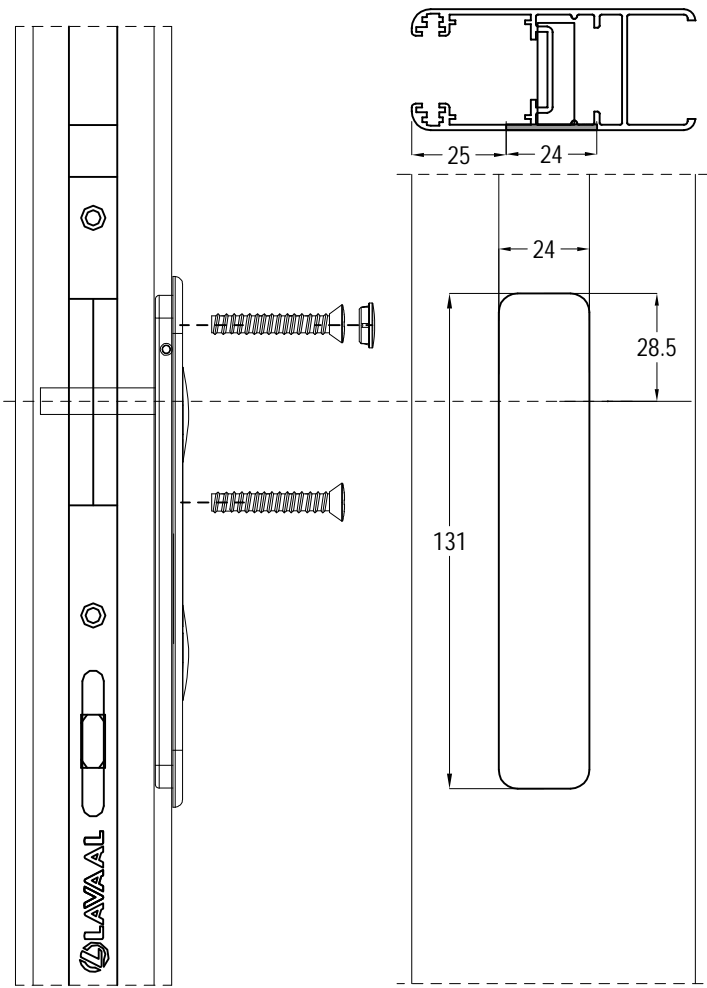
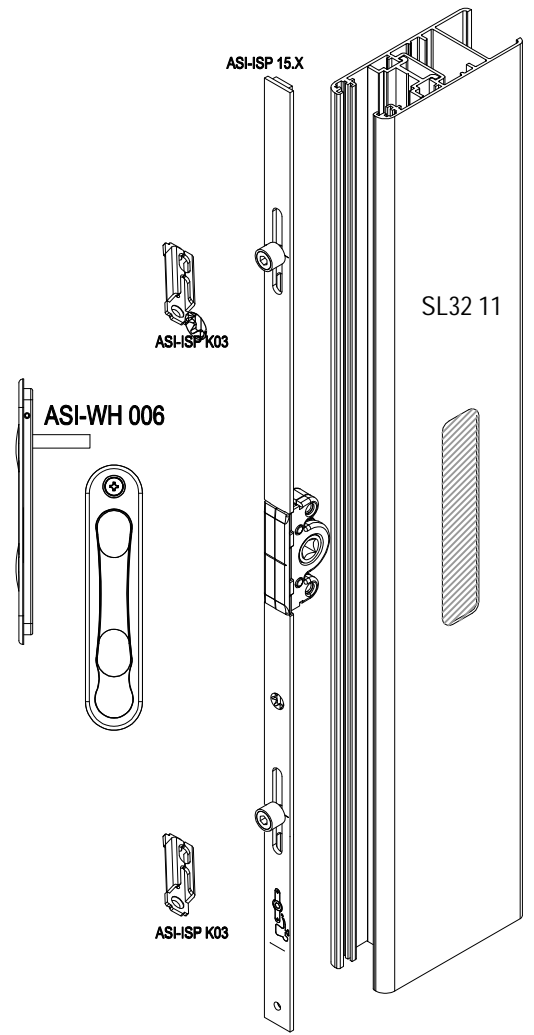
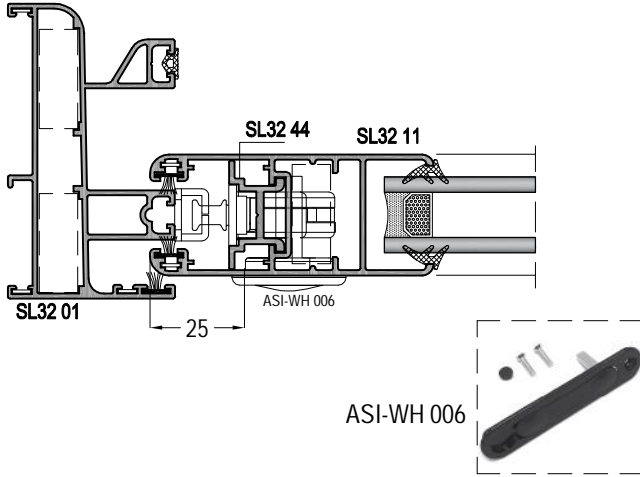
SL32 44

# SL32 - 1,4mm

YALITIMSIZ SÜRME SİSTEMİ  
COLD SLIDING SYSTEM



## İSPANYOLET KİLİTLEME : ASI-ISP 15 MULTI POINT LOCKING : ASI-ISP 15

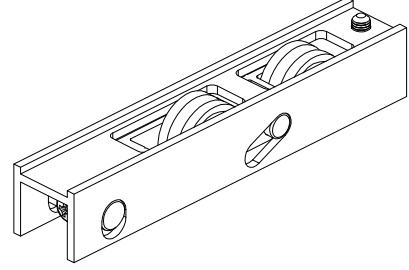
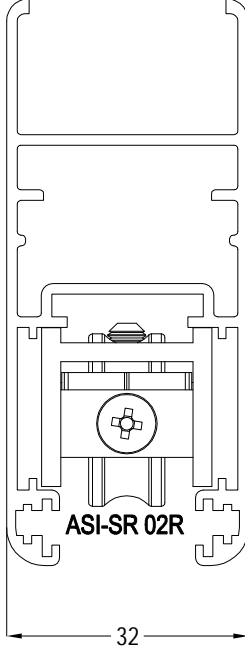


# SL32 - 1,4mm

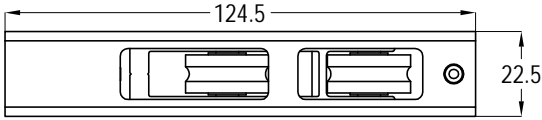
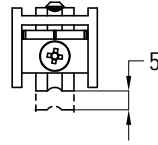
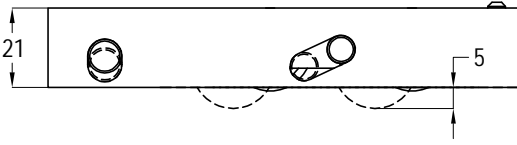
YALITIMSIZ SÜRME SİSTEMİ  
COLD SLIDING SYSTEM



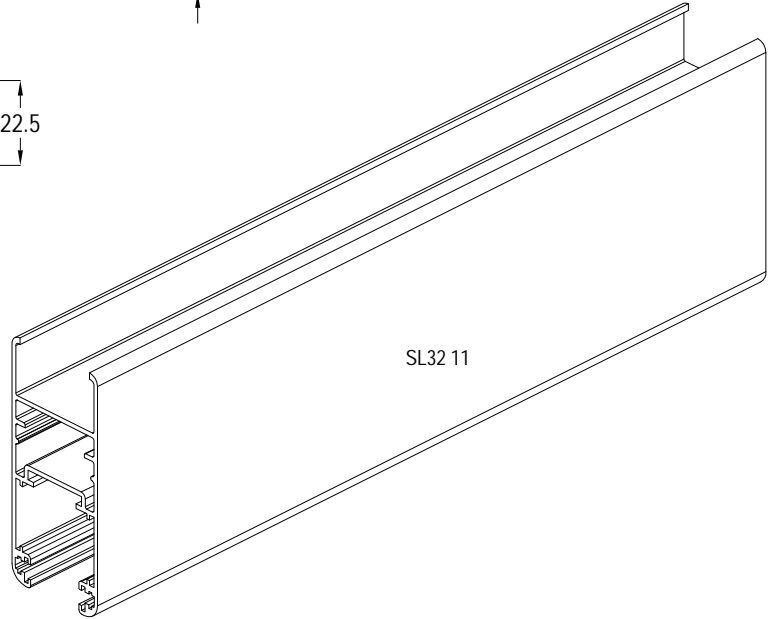
RULMAN : ASI-SR 02R  
ROLLER : ASI-SR 02R



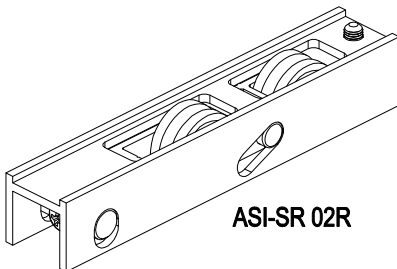
ASI-SR 02R  
TA İMA KAPASİTESİ = 60 kg  
Carry Capacity = 60 kg  
TEK KANAT Ç N = 120 kg  
Single Sash = 120 kg



ASI-SR 02R

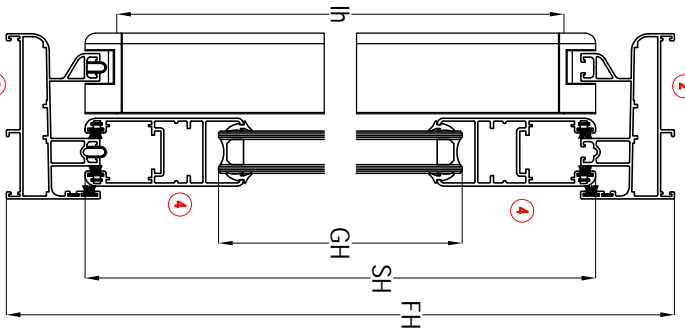
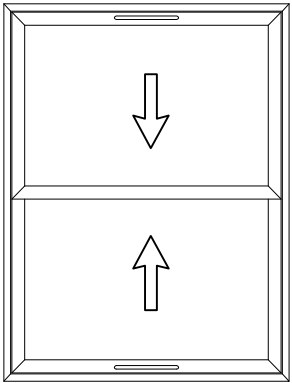
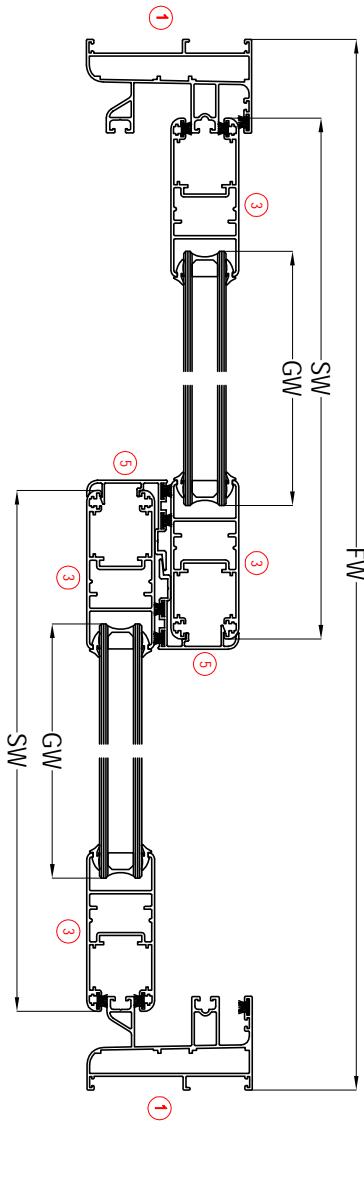


SL32 11



ASI-SR 02R

### 2 HAREKETLİ KANAT KESİM ÖLÇÜLERİ 2 SLIDING SASHES CUTTING SIZE



HAVUZLU KOL KULLANIM AKSESUARLARI / ACCESSORIES FOR EMBEDDED HANDLES				
2 Adet / Pcs	ASI-SH 007	HAVUZ KOL / Embedded Handle		
2 Takım / Set	ASI-SH 007K	HAVUZLU KOL KARKILIK / Embedded Handle Strike		
SPANVOLET KİLİTLEMESİ İÇİN AKSESUARLAR / ACCESSORIES FOR MULTI POINT LOCKING				
MKTAR / Unit	KOD / Code	PROF. L. ÇİZİM / Drawing	PROF. L. TANIMI / Description	KESİM ÖLÇÜSÜ / Cutting Dimensions
2 Adet / Pcs	ASISHP 15.1		SPANVOLET KİLİTLEMESİ / Multi Point Lock	
6 Adet / Pcs	ASISHP K03		SPANVOLET KİLİT KARKILIK / Multi Point Strike	
2 Adet / Pcs	ASL-WH 002		SPANVOLET KİLİTLEMESİ KOL / Window Handle	
2 Adet / Pcs	SL32 44		SPANVOLET KİLİTLEMESİ ADAPTORU / Multi Lock Adapter	600 mm

### PROFİLLER / PROFILES

NO / Number	ADET / Unit	KOD / Code	PROF. L. ÇİZİM / Drawing	PROF. L. TANIMI / Description	KESİM ÖLÇÜSÜ / Cutting Dimensions
1	2	SL32 01		DU EY KASA PROF. L. / Vertical Frame Profile	FH
		SL32 02		DU EY KASA PROF. L. / Vertical Frame Profile	FH
		SL32 04		DU EY KASA PROF. L. / Vertical Frame Profile	FH
2	2	SL32 01		YATAY KASA PROF. L. / Horizontal Frame Profile	FW
		SL32 02		YATAY KASA PROF. L. / Horizontal Frame Profile	FW
		SL32 04		YATAY KASA PROF. L. / Horizontal Frame Profile	FW
3	4	SL32 11		DU EY KANAT PROF. L. / Vertical Sash Profile	SH=FH - 75.4mm
		SL32 12		DU EY KANAT PROF. L. / Vertical Sash Profile	SH=FH - 75.4mm
4	4	SL32 11		YATAY KANAT PROF. L. / Horizontal Frame Profile	SW=FW/2 - 4mm
		SL32 12		YATAY KANAT PROF. L. / Horizontal Frame Profile	SW=FW/2 - 4mm
5	2	SL32 41		KENET PROF. L. / Central Locking Profile	SH=30mm
4	4	SL32 1103 SL32 1113 SL32 1117		DU EY CAM ÇITASI (SL32 12 kanat için) / Vertical Glazing Bead	G1-SH-150mm
4	4	SL32 1103 SL32 1113 SL32 1117		YATAY CAM ÇITASI (SL32 12 kanat için) / Horizontal Glazing Bead	G2-SW-122.8mm
2	2	ASHNR 01		ÇELİK RAY PROF. L. / Steel Rail Profile	FW=88.4mm

### FİTİLLER / GASKETS

MKTAR / Unit	KOD / Code	PROF. L. ÇİZİM / Drawing	PROF. L. TANIMI / Description	KESİM ÖLÇÜSÜ / Cutting Dimensions
ml	EP2-01		CAM FİTİL / Glazing Gasket	(8xSH)-(8xSW)
ml	INT1-03		KASARAY KAPAMA FİTİL / Frame Rail Cover Gasket	(4xFH)+(2xFW)
ml	KF 67-550		FIRÇA FİTİL / Brush Gasket - 5.5 mm	(8xSH)+(8xSW)+(2xFH)+(2xFW)

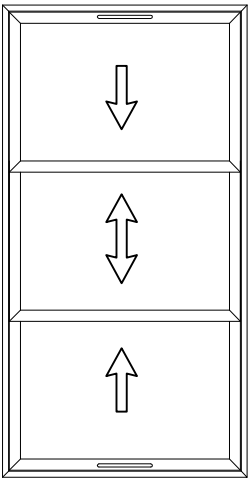
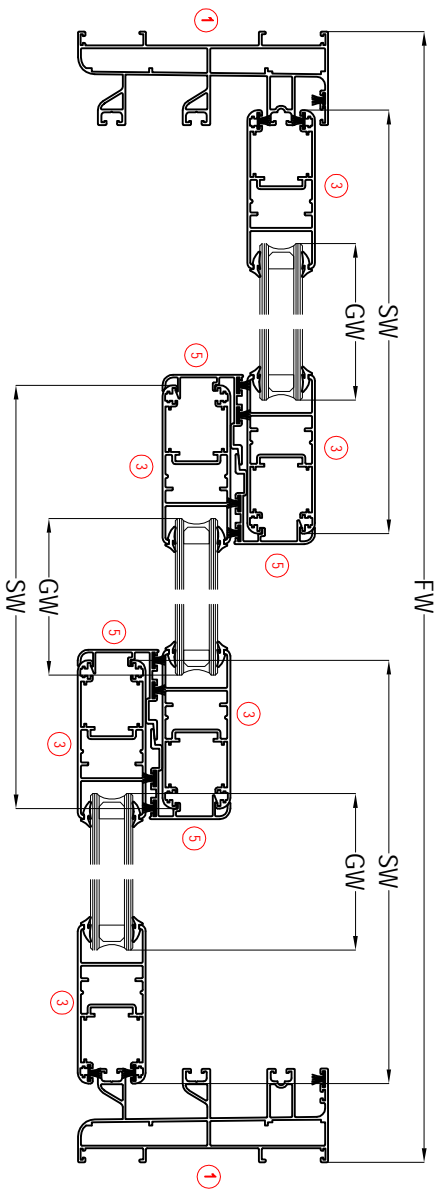
### AKSESUARLAR / ACCESSORIES

2 Adet / Pcs	ASISFP 01		HAVA KESİCİ - ALT/ÜST / Central Sealing Top/Bottom	
4 Adet / Pcs	ASISFP 03		KANAT STOPER / Sash Stopper	
4 Adet / Pcs	ASISRP 02R		AVARLI ÇİFTLİ RULMAN / Double Sliding Roller	
2 Takım / Set	SL32 KP		KENET KAPAK 1 - ALT/ÜST / mercek Profile Cap Top/Bottom	
8 Adet / Pcs	ASIPB 1126		KÖPEMİL BAĞLANTI / Corner Joint Pin (Kanat-Sash)	
8 Adet / Pcs	ASIPB 1126 ASIKT 1126		KÖPEMİL BAĞLANTI / Corner Joint Pin (Kasa - Frame)	
28 Adet / Pcs	ASISB 19		KÖŞE GÖNVERİ / Corner Alignment	

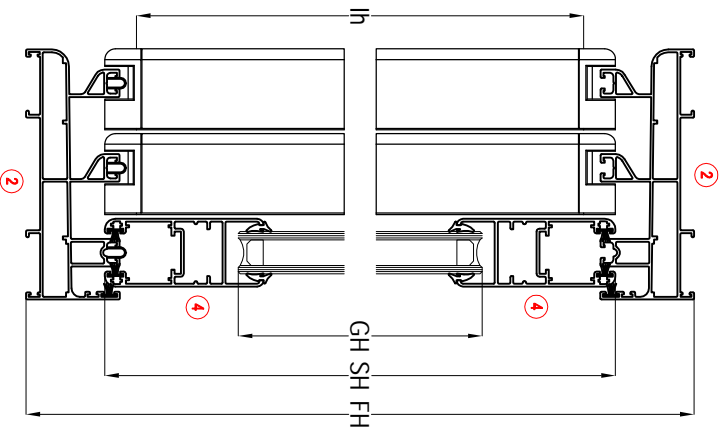
### CAM KESİM ÖLÇÜLERİ / GLASS CUTTING SIZES (20mm ÇN)

KOD / Code	CAM / Glass	TANIMI / Description	KESİM ÖLÇÜSÜ / Cutting Dimensions
SL32 11	GW	CAM GEN. L. K. / Sash Glass Width	GW = SW - 124 mm
SL32 12	GH	CAM YÜKSEKLİĞİ / Sash Glass Height	GH = SH - 124 mm

3 LÜ KANAT KESİM ÖLÇÜLERİ  
3 SLIDING SASH CUTTING SIZES



HAVUZLU KOL KULLANIM AKSESUARLARI / ACCESSORIES FOR EMBEDDED HANDLES				
2 Adet/ Pcs	ASI-SH 007	HAVUZ KOL / Embedded Handle		
2 Takım/ Set	ASI-SH 007K	HAVUZLU KOL KARKILIK / Embedded Handle Strike		
SPANVOLETT KİLİTLEMESİNİN AKSESUARLARI / ACCESSORIES FOR MULTI POINT LOCKING				
MKTAR / Unit	KOD / Code	PROF. L. ÇİZİM / Drawing	PROF. L. TANIMI / Description	KESİM ÖLÇÜSÜ / Cutting Dimensions
2 Adet/ Pcs	ASHSP 15-1		SPANVOLETT KİLİTLEMESİ / Multi Point Lock	
4 Adet/ Pcs	ASH-SP K03		SPANVOLETT KİLİT KARKILIK / Multi Point Strike	
2 Adet/ Pcs	ASH-WH 002		SPANVOLETT KİLİTLEMESİ KOL / Window Handle	
2 Adet/ Pcs	SL32 44		SPANVOLETT KİLİTLEMESİ ADAPTORUMULİT Lock Adapter Profile	600 mm



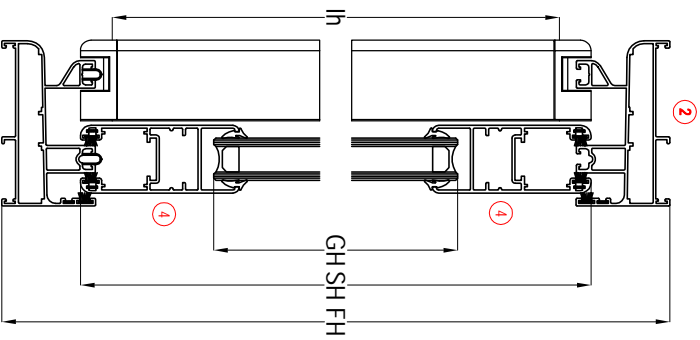
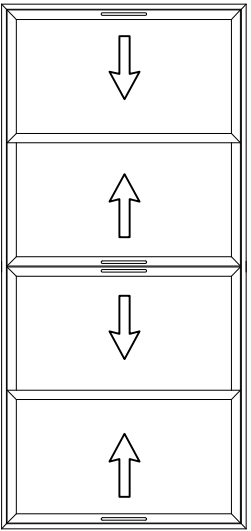
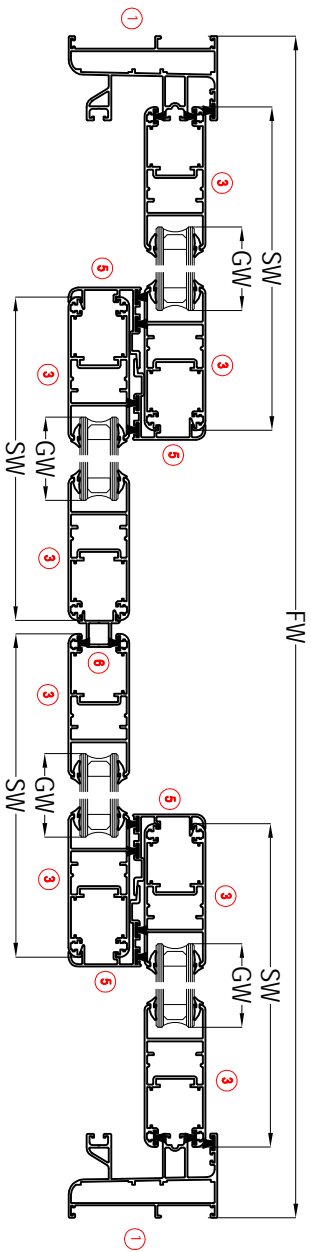
PROFİLLER / PROFILES					
NO / Number	ADET / Unit	KOD / Code	PROF. L. ÇİZİM / Drawing	PROF. L. TANIMI / Description	KESİM ÖLÇÜSÜ / Cutting Dimensions
1	2	SL32 03		DU EY KASA PROF. L. / Vertical Frame Profile	FH
2	2	SL32 03		YATAY KASA PROF. L. / Horizontal Frame Profile	FW
3	6	SL32 11		DU EY KANAT PROF. L. / Vertical Sash Profile	SH=FH - 75.4mm
4	6	SL32 12		DU EY KANAT PROF. L. / Vertical Sash Profile	SH=FH - 75.4mm
5	4	SL32 41		YATAY KANAT PROF. L. / Horizontal Frame Profile	SH=FW/3 + 22.2mm
6	6	SL32 1103		YATAY KANAT PROF. L. / Horizontal Frame Profile	SH=FW/3 + 22.2mm
6	6	SL32 1113		YATAY KANAT PROF. L. / Horizontal Frame Profile	SH=FW/3 + 22.2mm
6	6	SL32 1113		YATAY KANAT PROF. L. / Horizontal Frame Profile	SH=FW/3 + 22.2mm
6	6	SL32 1117		YATAY KANAT PROF. L. / Horizontal Frame Profile	SH=FW/3 + 22.2mm
3	3	ASHLR 01		ÇELİK RAY PROF. L. / Steel Rail Profile	FW=88.4mm

FİTİLLER / GASKETS				
MKTAR / Unit	KOD / Code	PROF. L. ÇİZİM / Drawing	PROF. L. TANIMI / Description	KESİM ÖLÇÜSÜ / Cutting Dimensions
mtl	EP2-01		CAM FİTİL / Glazing Gasket	(12xSH)+(12xSW)
mtl	INTT1-03		KASARAY KAPAMA FİTİL / Frame Rail Cover Gasket	(6xFH)+(3xFW)
mtl	KE 67-550		FİRÇA FİTİL / Brush Gasket - 5.5 mm	(12xSH)+(12xSW)+(2xFH)+(2xFW)

AKSESUARLAR / ACCESSORIES				
Adet/ Pcs	ASI-SFP 01		HAVA KESİCİ - ALT/ÜST / Central Sealing Top/Bottom	
Adet/ Pcs	ASI-STP 03		KANAT STOPER / Sash Stopper	
Adet/ Pcs	ASI-SR 02R		AYARLI ÇİFTLİ RULMAN / Double Sliding Roller	
Takım/ Set	SL32 KP		KENET KAPAĞI - ALT/ÜST / Interlock Profile Cap	
Adet/ Pcs	ASI-PB 1126		KÖPEMLİ BAĞLANTI / Corner Joint Pin (Kanal-Sash)	
Adet/ Pcs	ASI-PB 1126		KÖPEMLİ BAĞLANTI / Corner Joint Pin (Kanal-Sash)	
Adet/ Pcs	ASIKT 1126		KÖPEMLİ BAĞLANTI / Corner Joint Pin (Kanal-Sash)	
Adet/ Pcs	ASISB 19		KÖPEMLİ BAĞLANTI / Corner Joint Pin (Kanal-Sash)	

CAM KESİM ÖLÇÜLERİ / GLASS CUTTING SIZES (20mm ÇİVİ)				
KOD / Code	CAM / Glass	TANIMI / Description	KESİM ÖLÇÜSÜ / Cutting Dimensions	
SL32 11	GW	CAM GEN. L. K. / Sash Glass Width	GW = SW - 124 mm	
SL32 12	GH	CAM YÜKSEKLİĞİ / Sash Glass Height	GH = SH - 124 mm	

4 LÜ KANAT KESİM ÖLÇÜLER  
4 SLIDING SASH CUTTING SIZES



HAVUZLU KOL KULLANIM AKSESUARLAR / ACCESSORIES FOR EMBEDDED HANDLES			
3 Adet / Pcs	ASI-SH 007	HAVUZ KOL / Embedded Handle	
3 Takım / Set	ASI-SH 007K	HAVUZLU KOL KARILIK / Embedded Handle Strike	
SPANVOLET KİLİTLEMESİ İÇİN AKSESUARLAR / ACCESSORIES FOR MULTI POINT LOCKING			
MKTAR / Unit	KOD / Code	PROF. L ÇİZİM / Description	KESİM ÖLÇÜSÜ / Cutting Dimensions
3 Adet / Pcs	ASHSP 15-1	SPANVOLET KİLİTLEMESİ / Multi Point Lock	
6 Adet / Pcs	ASHSP K03	SPANVOLET KİLİTLEMESİ / Multi Point Strike	
3 Adet / Pcs	ASH-WH 002	SPANVOLET KİLİTLEMESİ / Window Handle	
3 Adet / Pcs	SL32 44	SPANVOLET KİLİTLEMESİ ADAPTORU / Multi Lock Adapter	600 mm

PROFİLLER / PROFILES

NO / Number	ADET / Unit	KOD / Code	PROF. L ÇİZİM / Drawing	PROF. L TANIMI / Description	KESİM ÖLÇÜSÜ / Cutting Dimensions
1	2	SL32 01		DU EY KASA PROF. L / Vertical Frame Profile	FH
		SL32 02		DU EY KASA PROF. L / Vertical Frame Profile	FH
		SL32 04		DU EY KASA PROF. L / Vertical Frame Profile	FH
2	2	SL32 01		YATAY KASA PROF. L / Horizontal Frame Profile	FW
		SL32 02		YATAY KASA PROF. L / Horizontal Frame Profile	FW
		SL32 04		YATAY KASA PROF. L / Horizontal Frame Profile	FW
3	8	SL32 11		DU EY KANAT PROF. L / Vertical Sash Profile	SH=FW/4 + 15,5mm
		SL32 12		DU EY KANAT PROF. L / Vertical Sash Profile	SH=FW/4 + 15,5mm
4	8	SL32 11		YATAY KANAT PROF. L / Horizontal Frame Profile	SH=FW/4 + 15,5mm
		SL32 12		YATAY KANAT PROF. L / Horizontal Frame Profile	SH=FW/4 + 15,5mm
		SL32 1103		DU EY CAM ÇITASI (SL32 12 kanat için) / Vertical Glazing Bead	G1-SH-150mm
		SL32 1103		DU EY CAM ÇITASI (SL32 12 kanat için) / Vertical Glazing Bead	G2-SW-123mm
		SL32 1113		YATAY CAM ÇITASI (SL32 12 kanat için) / Horizontal Glazing Bead	SH-30mm
		SL32 1117		YATAY CAM ÇITASI (SL32 12 kanat için) / Horizontal Glazing Bead	SH-30mm
5	4	SL32 41		KENET PROF. L / Central Locking Profile	SH-20mm
6	1	SL32 43		ADAPTOR PROF. L / Adapter Profile	SH-20mm

FİTİLLER / GASKETS

MKTAR / Unit	KOD / Code	PROF. L ÇİZİM / Drawing	PROF. L TANIMI / Description	KESİM ÖLÇÜSÜ / Cutting Dimensions
ml	EP2-01		CAM F.T. L / Glazing Gasket	(16xSH)+(16xSW)
ml	INT1-03		KASARAY KAPAMA F.T. L / Frame Rail Cover Gasket	(4xFH)+(2xRW)
ml	KE 67-550		FIRÇA F.T. L / Brush Gasket - 5,5 mm	(14xSH)+(16xSW)+(2xH)+(2xRW)

AKSESUARLAR / ACCESSORIES

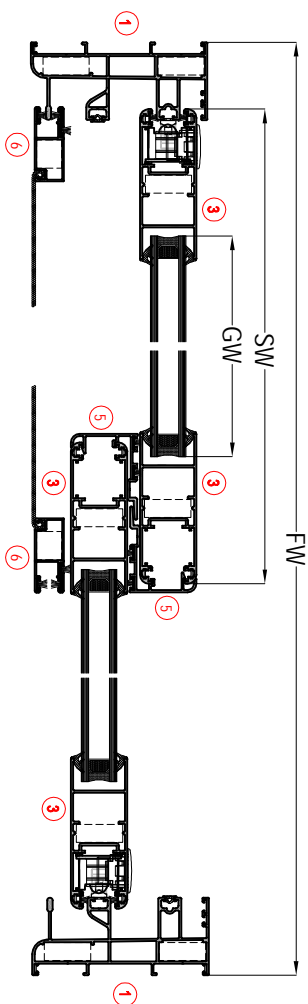
4 Adet / Pcs	ASI-SFP 01		HAVA KESİCİ - ALT/ÜST / Central Sealing Top/Bottom
6 Adet / Pcs	ASI-STP 03		KANAT STOPER / Sash Stopper
8 Adet / Pcs	ASI-SR 02R		AYARLI ÇİFTLİ RULMAN / Double Sliding Roller
4 Takım / Set	SL32 KP		KENET KAPAĞI - ALT/ÜST / Interlock Profile Cap Top/Bottom
16 Adet / Pcs	ASIPB 1226		KÖ E P M L BA LANTI / Corner Joint Pin (Kanat-Sası)
8 Adet / Pcs	ASIPB 1226 ASIKT 1126		KÖ E TAKOZU veya P M L BA LANTI / Corner Joint Pins or Pin (Kasa - Frame)
44 Adet / Pcs	ASI-SB 19		KÖ E GÖNYESİ / Corner Alignment

CAM KESİM ÖLÇÜLER / GLASS CUTTING SIZES (20mm ÇN)

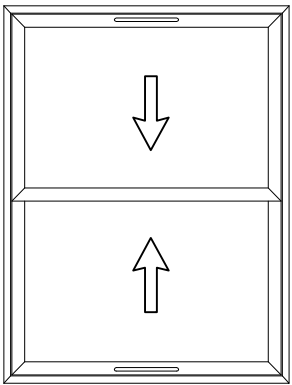
KOD / Code	CAM / Glass	TANIMI / Description	KESİM ÖLÇÜSÜ / Cutting Dimensions
SL32 11	GW	CAM GEN. L K / Sash Glass Width	GW = SW-124 mm
SL32 12	GH	CAM YÜKSEKLİK / Sash Glass Height	GH = SH-124 mm



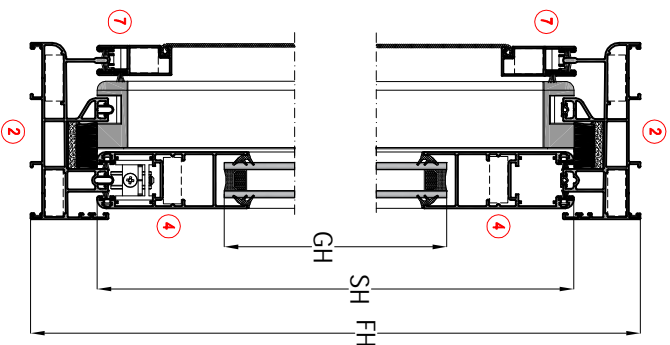
## 2 HAREKETLİ KANAT KES MÖLÇÜLERİ 2 SLIDING SASHES CUTTING SIZE



NO / Number	ADET / Unit	KOD / Code	PROF. L. Ç. Z. M. / Drawing	PROF. L. TANIMI / Description	KESİM ÖLÇÜSÜ / Cutting Dimensions
1	2	SL32 05D		DU EY KASA PROF. L. / Vertical Frame Profile	FH
2	2	SL32 05D		YATAY KASA PROF. L. / Horizontal Frame Profile	FH
3	4	SL32 13D		DU EY KANAT PROF. L. / Vertical Sash Profile	SH=FH-75,6
4	4	SL32 13D		YATAY KANAT PROF. L. / Horizontal Sash Profile	SH=FW/2+2,2mm
5	2	SL32 46D		KENET PROF. L. / Central Locking Profile	SH=30mm
6	2	15-304216-09		DU EY SİNEKLİK KANAT PROF. L. / Vertical Fly Screen Sash Profile	SH
7	2	15-304216-09		DU EY SİNEKLİK KANAT PROF. L. / Vertical Fly Screen Sash Profile	SH
	2	ASH-IR 01		ÇELİK RAY PROF. L. / Steel Rail Profile	FW=88mm



HAVUZLU KOL KULLANIM AKSESUARLARI / ACCESSORIES FOR EMBEDDED HANDLES				
2 Adet / Pcs	ASİ-SH 007	HAVUZ KOL / Embedded Handle		
2 Takım / Set	ASİ-SH 007K	HAVUZLU KOL KARKILIK / Embedded Handle Strike		
SPANVOLET KİLİTLEMENİN AKSESUARLARI / ACCESSORIES FOR MULTI POINT LOCKING				
MKTAR / Unit	KOD / Code	PROF. L. Ç. Z. M. / Drawing	PROF. L. TANIMI / Description	KESİM ÖLÇÜSÜ / Cutting Dimensions
2 Adet / Pcs	ASİ-SHP 15-1		SPANVOLET KİLİTLEMENİN MÜHÜRLEME NOKTASI / Multi Point Lock	
6 Adet / Pcs	ASİ-SHP K03		SPANVOLET KİLİTLEMENİN MÜHÜRLEME NOKTASI / Multi Point Strike	
2 Adet / Pcs	ASİ-WH 002		SPANVOLET KİLİTLEMENİN MÜHÜRLEME NOKTASI / Multi Point Strike	
2 Adet / Pcs	SL32 44		SPANVOLET KİLİTLEMENİN MÜHÜRLEME NOKTASI / Multi Point Strike	600 mm



### FTLLER / GASKETS

MKTAR / Unit	KOD / Code	PROF. L. Ç. Z. M. / Drawing	PROF. L. TANIMI / Description	KESİM ÖLÇÜSÜ / Cutting Dimensions
ml	KC 02		CAM FTL / Glazing Gasket	(8xSH)+(8xSW)
ml	INTT-03		KASA RAY KAPAMA FTL / Frame Rail Cover Gasket	(4xFH)+(2xFW)
ml	KE 67-550		FİRÇA FTL / Brush Gasket - 5,5 mm	(8xSH)+(8xSW)+(2xFH)+(2xFW)

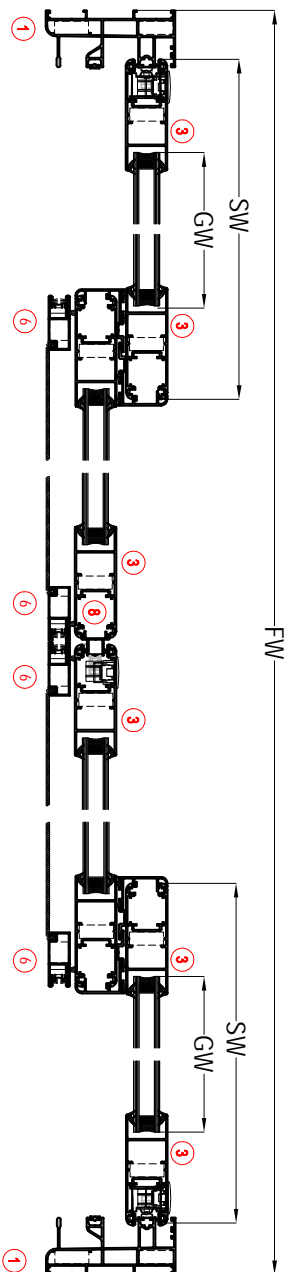
### AKSESUARLAR / ACCESSORIES

2 Adet / Pcs	ASİ-SFP 01		HAVA KESİCİ - ALT/ÜST / Central Sealing Top/Bottom	
4 Adet / Pcs	ASİ-STP 03		KANAT STOPER / Sash Stopper	
4 Adet / Pcs	ASİ-SR 02R		AVARLI ÇFTL RULMANI / Double Sliding Roller	
2 Takım / Set	SL32 KP02		KENET KAPAĞI - ALT/ÜST / Interlock Profile Cap Top/Bottom	
8 Adet / Pcs	ASİ-PB 1126		KÖPEMİL BAĞLANTI / Corner Joint Pin (Kanat-Sash)	
8 Adet / Pcs	ASİ-PB 1126		KÖPEMİL BAĞLANTI / Corner Joint Pin (Kanat-Sash)	
8 Adet / Pcs	ASİ-KT 1126		KÖPEMİL BAĞLANTI / Corner Joint Pin (Kanat-Sash)	
28 Adet / Pcs	ASİ-SB 19		KÖPEMİL BAĞLANTI / Corner Joint Pin (Kanat-Sash)	
2 Adet / Pcs	ASİ-BZ 5060		SİNEKLİK KANAT RULMANI / Fly Screen Sash Roller	
2 Adet / Pcs	ASİ-BZ 5007		SİNEKLİK KÖPEMİL BAĞLANTI / Fly Screen Corner Joint	

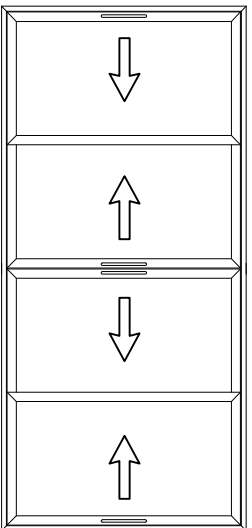
### CAM KESİM ÖLÇÜLERİ / GLASS CUTTING SIZES (24mm ÇN)

KOD / Code	CAM / Glass	TANIMI / Description	KESİM ÖLÇÜSÜ / Cutting Dimensions
SL32 13D	GW	CAM GEN. L. K. / Sash Glass Width	GW = SW-144 mm
SL32 13D	GH	CAM YÜKSEKLİK / Sash Glass Height	GH = SH-144 mm

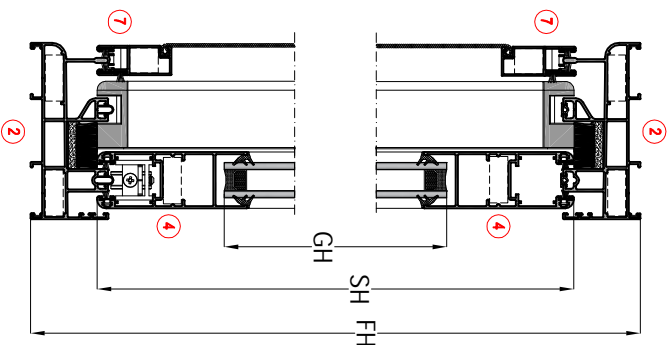
4 LÜ KANAT KESİM ÖLÇÜLER  
4 SLIDING SASH CUTTING SIZES



NO / Number	ADET / Unit	KOD / Code	PROF. L. Ç. Z. M. / Drawing	PROF. L. TANIMI / Description	KESİM ÖLÇÜSÜ / Cutting Dimensions
1	2	SL32 05D		DU EY KASA PROF. L. / Vertical Frame Profile	FH
2	2	SL32 05D		YATAY KASA PROF. L. / Horizontal Frame Profile	FH
3	8	SL32 13D		DU EY KANAT PROF. L. / Vertical Sash Profile	SH=FH+75,6
4	8	SL32 13D		YATAY KANAT PROF. L. / Horizontal Sash Profile	SW=FW+4+19,8mm
5	4	SL32 46D		KENET PROF. L. / Central Locking Profile	SH=30mm
6	2	15-30x216-09		DU EY SİNEKLİK KANAT PROF. L. / Vertical Fly Screen Sash Profile	SH
7	2	15-30x216-09		YATAY SİNEKLİK KANAT PROF. L. / Horizontal Fly Screen Sash Profile	SW=2,6
8	1	SL32 43		ADAPTOR PROF. L. / Adapter Profile	SH - 20mm
	2	ASHNR 01		ÇELİK RAY PROF. L. / Steel Rail Profile	FW=88mm



HAVUZLU KOL KULLANIM AKSESUARLAR / ACCESSORIES FOR EMBEDDED HANDLES				
3 Adet / Pcs	ASİ-SH 007	HAVUZ KOL / Embedded Handle		
3 Takım / Set	ASİ-SH 007K	HAVUZLU KOL KARKILIK / Embedded Handle Strike		
SPANVOLET KİLİTLEMENİN AKSESUARLARI / ACCESSORIES FOR MULTI POINT LOCKING				
MKTAR / Unit	KOD / Code	PROF. L. Ç. Z. M. / Drawing	PROF. L. TANIMI / Description	KESİM ÖLÇÜSÜ / Cutting Dimensions
3 Adet / Pcs	ASİ-SHP 15-1		SPANVOLET KİLİTLEMENİN MÜHÜRLEME KİLİTİ	
9 Adet / Pcs	ASİ-SHP K03		SPANVOLET KİLİTLEMENİN MÜHÜRLEME KİLİTİ	
3 Adet / Pcs	ASİ-WH 002		SPANVOLET KİLİTLEMENİN KOLU / Window Handle	
3 Adet / Pcs	SL32 44		SPANVOLET KİLİTLEMENİN ADAPTORU / Lock Adapter	600 mm



MKTAR / Unit	KOD / Code	PROF. L. Ç. Z. M. / Drawing	PROF. L. TANIMI / Description	KESİM ÖLÇÜSÜ / Cutting Dimensions
ml	KC 02		CAM FTL / Glazing Gasket	(16xSH)+(16xSW)
ml	INTT-03		KASA RAY KAPAMA FTL / Frame Rail Cover Gasket	(4xFH)+(2xFW)
ml	KT 67-550		FİRÇA FTL / Brush Gasket - 5,5 mm	(2xSH)+(40xSW)+(2xFH)+(2xFW)
AKSESUARLAR / ACCESSORIES				
4 Adet / Pcs	ASİ-SFP 01		HAVA KESİCİ - ALT/ÜST / Central Sealing Top/Bottom	
6 Adet / Pcs	ASİ-STP 03		KANAT STOPER / Sash Stopper	
8 Adet / Pcs	ASİ-SR 02R		AVARLI ÇFTL RULMANI / Double Sliding Roller	
4 Takım / Set	SL32 KP02		KENET KAPAĞI - ALT/ÜST / Interlock Profile Cap Top/Bottom	
16 Adet / Pcs	ASİ-PB 1126		KÖPEMLİ BAĞLANTI / Corner Joint Pin (Kanat-Sash)	
8 Adet / Pcs	ASİ-PB 1126 ASİ-KT 1126		KÖPEMLİ BAĞLANTI / Corner Joint Pin or Pin (Kasa - Frame)	
44 Adet / Pcs	ASİ-SB 19		KÖPEMLİ BAĞLANTI / Corner Alignment	
2 Adet / Pcs	ASİ-BZ 5060		SİNEKLİK KANAT RULMANI / Fly Screen Sash Roller	
8 Adet / Pcs	ASİ-BZ 5007		SİNEKLİK KÖPEMLİ BAĞLANTI / Fly Screen Corner Joint	

CAM KESİM ÖLÇÜLERİ / GLASS CUTTING SIZES (24mm ÇN)			
KOD / Code	CAM / Glass	TANIMI / Description	KESİM ÖLÇÜSÜ / Cutting Dimensions
SL32 13D	GW	CAM GEN. L. K. / Sash Glass Width	GW = SW-144 mm
SL32 13D	GH	CAM YÜKSEKLİK / Sash Glass Height	GH = SH-144 mm