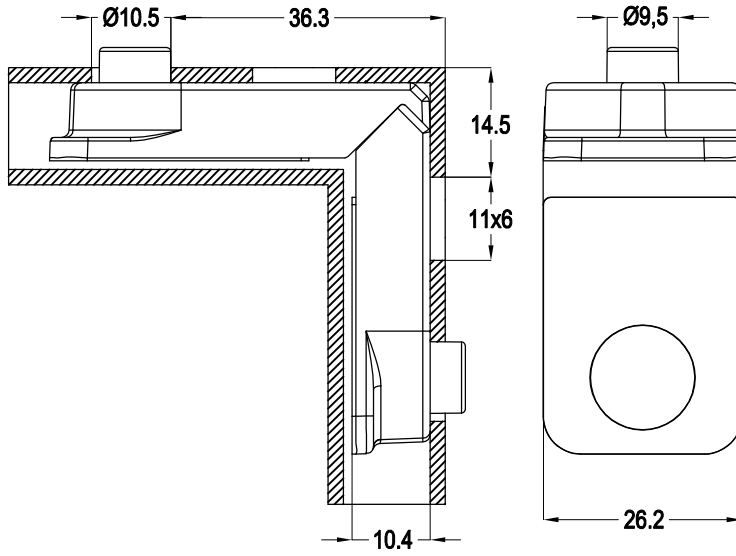


SL28 - 1,2mm

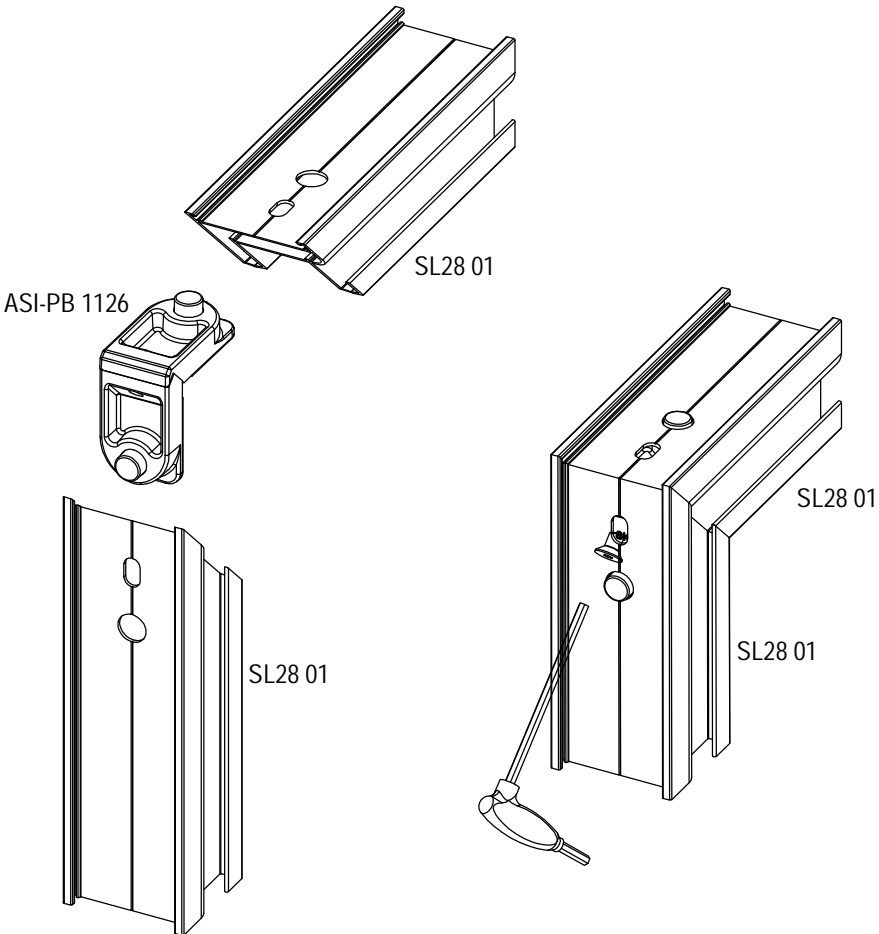
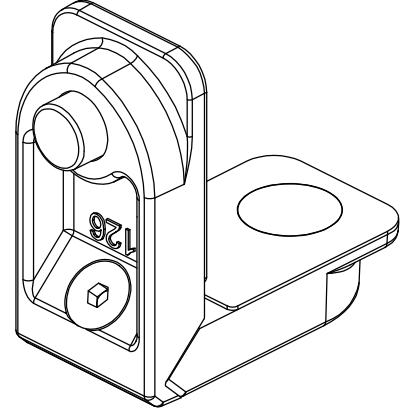
YALITIMSIZ SÜRME SİSTEMİ  
COLD SLIDING SYSTEM

**ASISTAL**

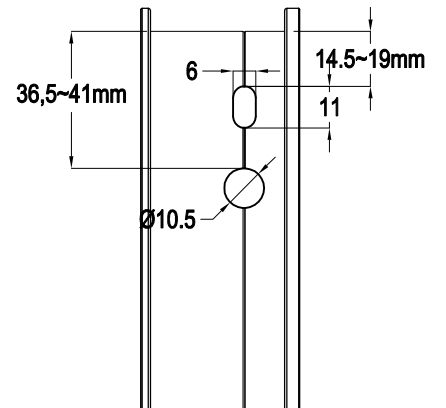
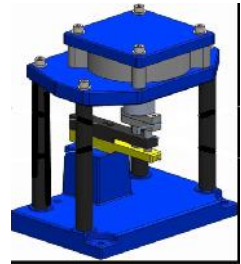
PİMLİ KÖŞE BAĞLANTI MONTAJI : ASI-PB 1126  
ASSEMBLY FOR PIN CONNECTION : ASI-PB 1126



ASI-PB 1126



501 EKO PANÇ

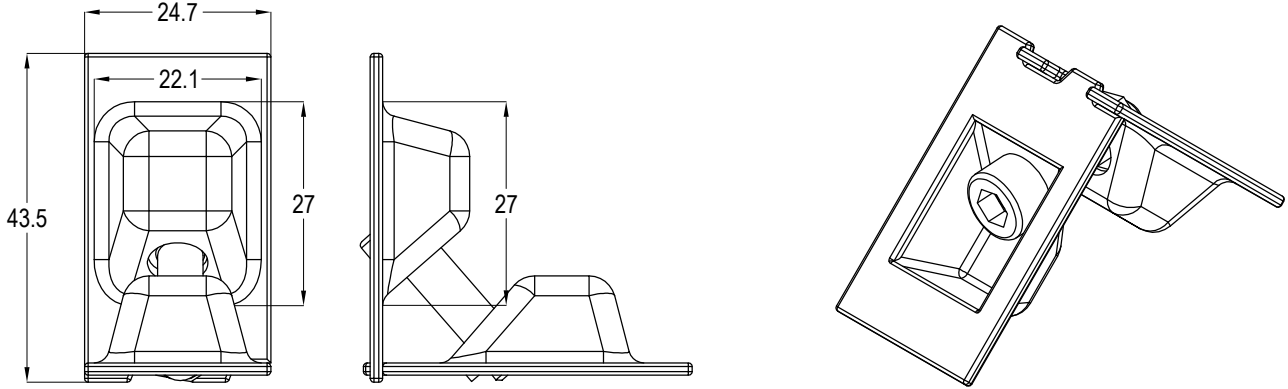




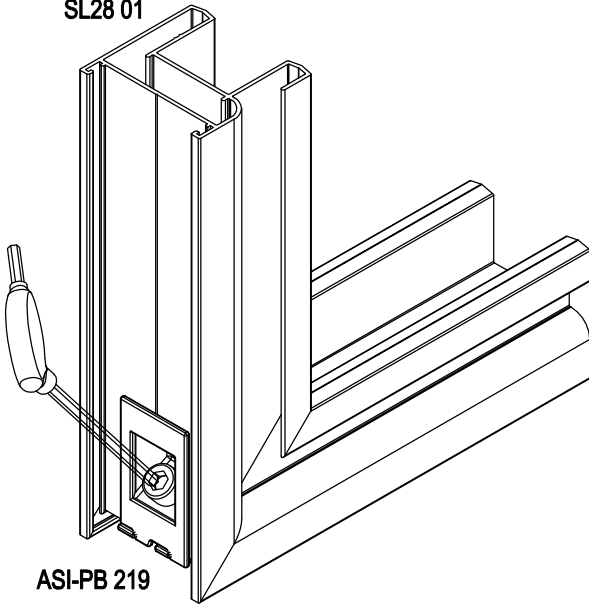
## 2. ÖNERİ KÖŞE BAĞLANTI MONTAJI : ASI-PB 219

2. PROPOSAL ASSEMBLY FOR PIN CONNECTION : ASI-PB 219

ASI-PB 1126

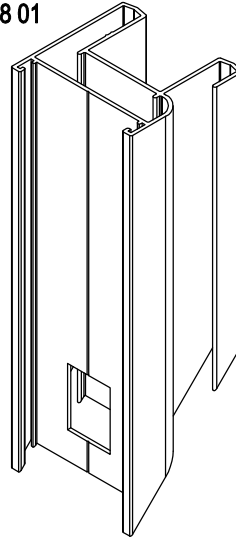


SL28 01

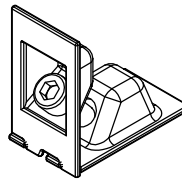
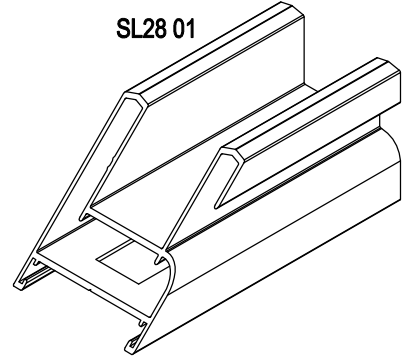


ASI-PB 219

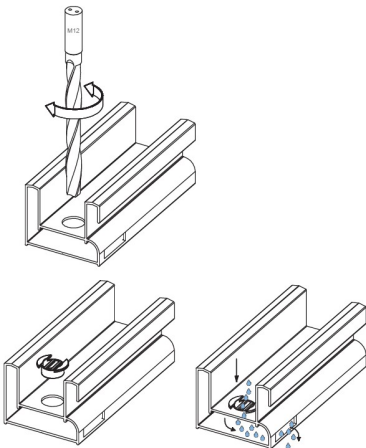
SL28 01



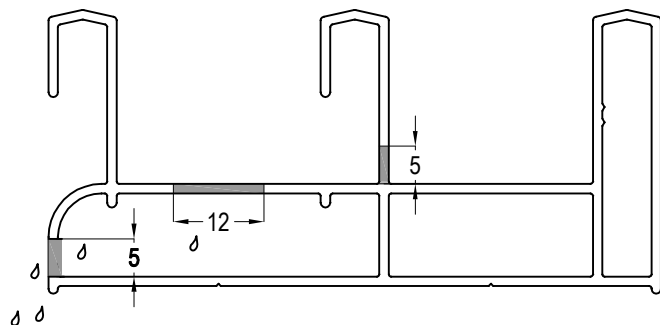
SL28 01



ASI-PB 219



SL28 104

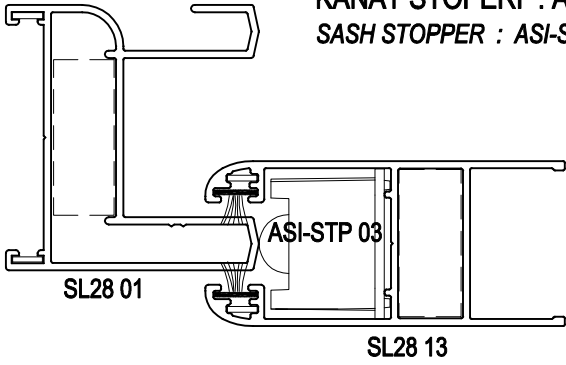


# SL28 - 1,2mm

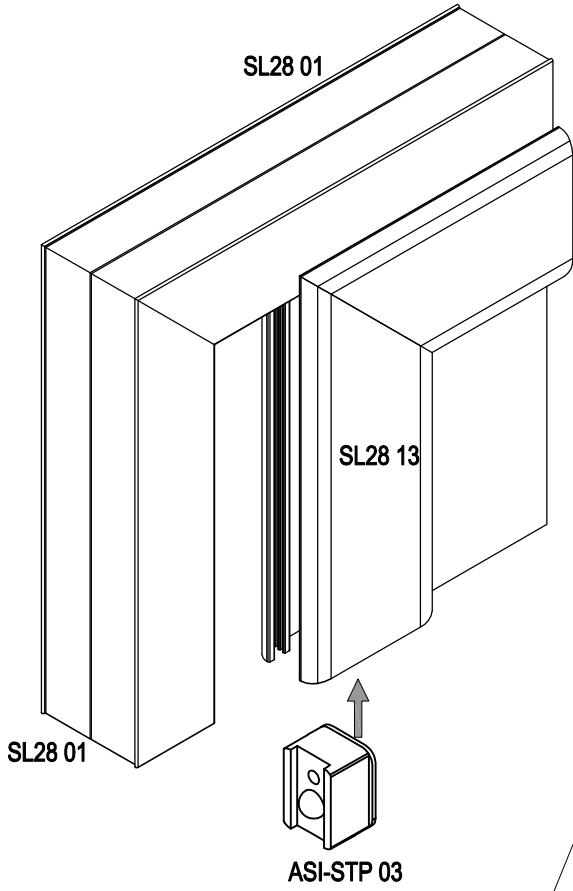
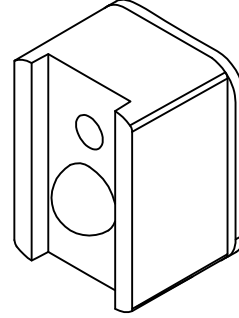
YALITIMSIZ SÜRME SİSTEM  
COLD SLIDING SYSTEM



KANAT STOPERİ : ASI-STP 03  
SASH STOPPER : ASI-STP 03

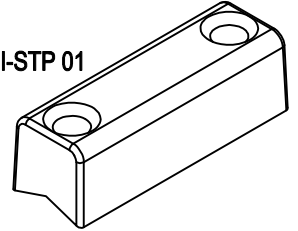


ASI-STP 03

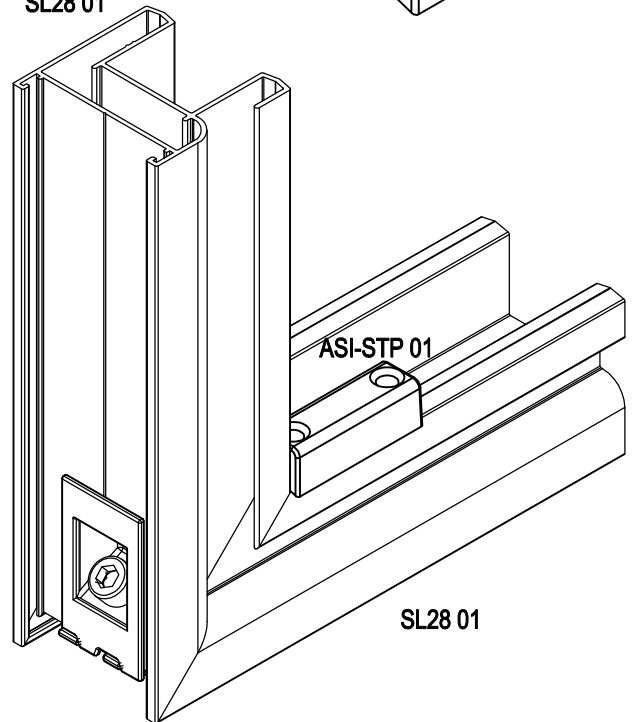


KANAT STOPERİ : ASI-STP 01  
SASH STOPPER : ASI-STP 01

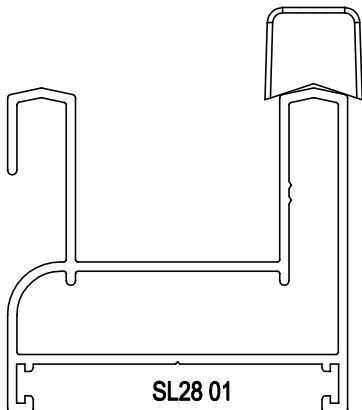
ASI-STP 01



SL28 01



ASI-STP 01



SL28 01

SL28 01

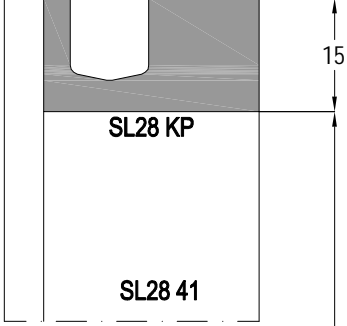
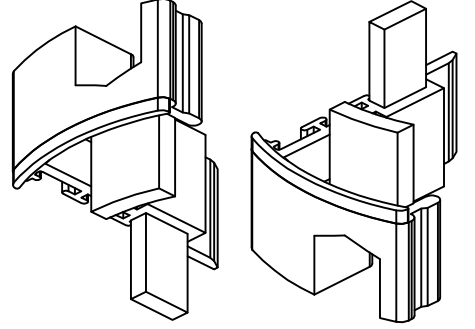
# SL28 - 1,2mm

YALITIMSIZ SÜRME SİSTEM  
COLD SLIDING SYSTEM

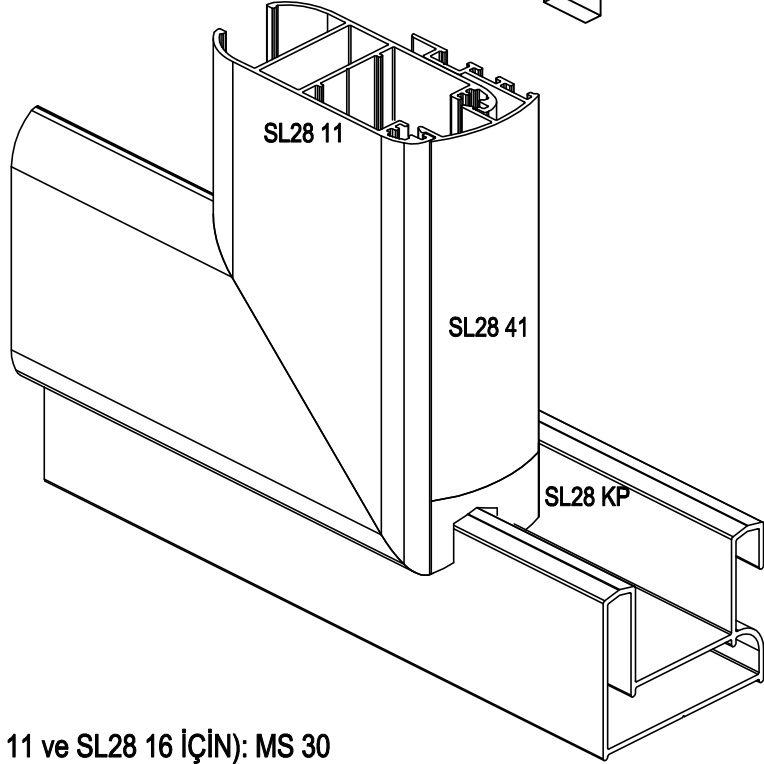
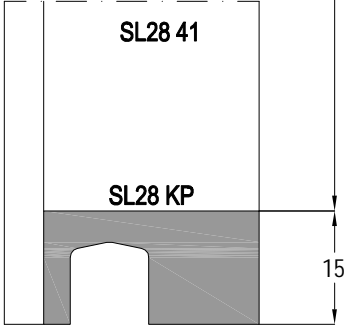


KENET KAPAĞI : SL28 KP  
INTERLOCK PROFILE CAP : SL28 KP

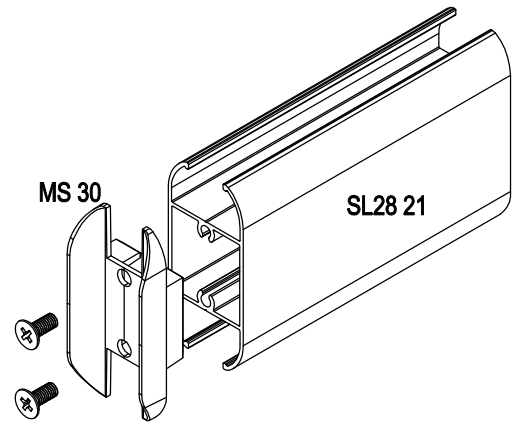
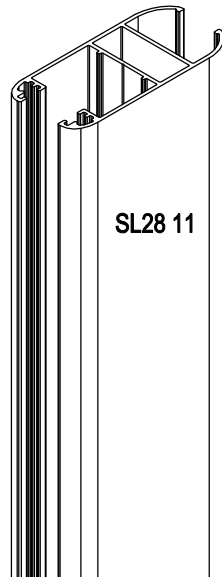
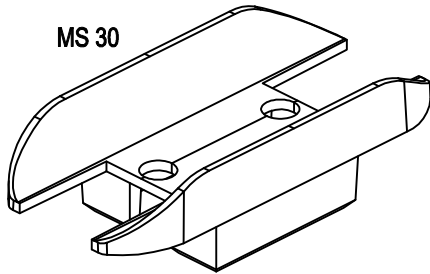
SL28 KP



SL28 41= KANAT - 30mm  
SL28 42= KANAT - 30mm



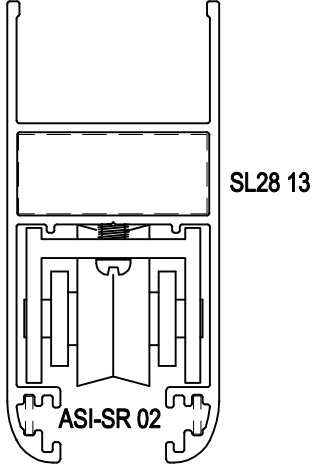
ORTA KAYIT BAĞLANTI ADAPTÖRÜ (SL28 11 ve SL28 16 İÇİN): MS 30  
T JOINT ADAPTER ( FOR SL28 11 & SL28 16 ) : MS 30





RULMAN : ASI-SR 01 / ASI-SR02 / ASI-SR 02R

ROLLER : ASI-SR 01 / ASI-SR 02 / ASI-SR 02R



### ASI-SR 02 - V TİPİ RAY İÇİN

TAŞIMA KAPASİTESİ = 60 kg

Carry Capacity = 60 kg

TEK KANAT İÇİN = 120 kg

For Per Sash = 120 kg



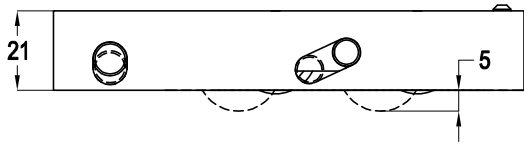
### ASI-SR 01 - V TİPİ RAY İÇİN

TAŞIMA KAPASİTESİ = 30 kg

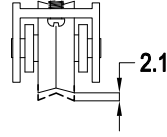
Carry Capacity = 30 kg

TEK KANAT İÇİN = 60 kg

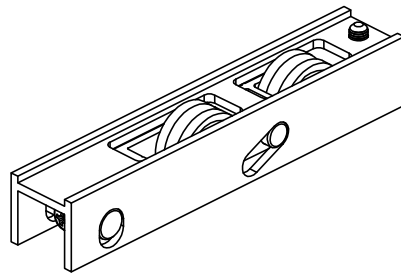
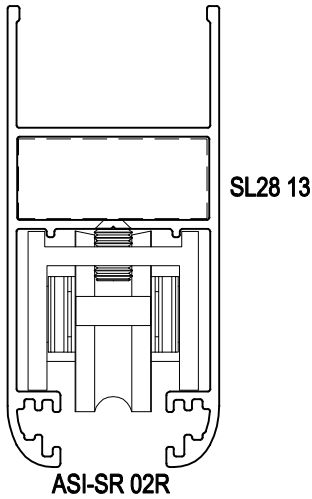
For Per Sash = 60 kg



ASI-SR 02



SL28 108 ve 109 NOLU KASALARDA  
ASI-SR 02R RULMAN KULLANILMALIDIR



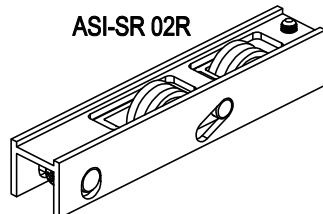
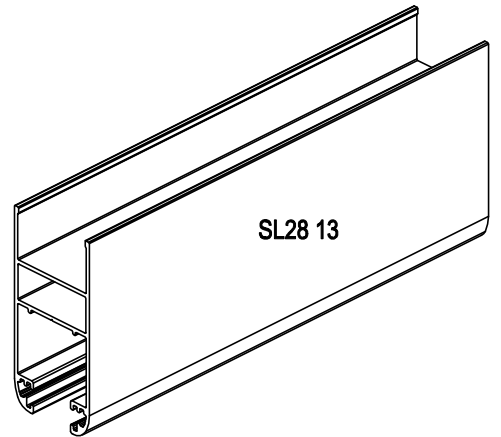
ASI-SR 02R - U T P RAY Ç İ N

TA İ MA KAPAS TES = 60 kg

Carry Capacity = 60 kg

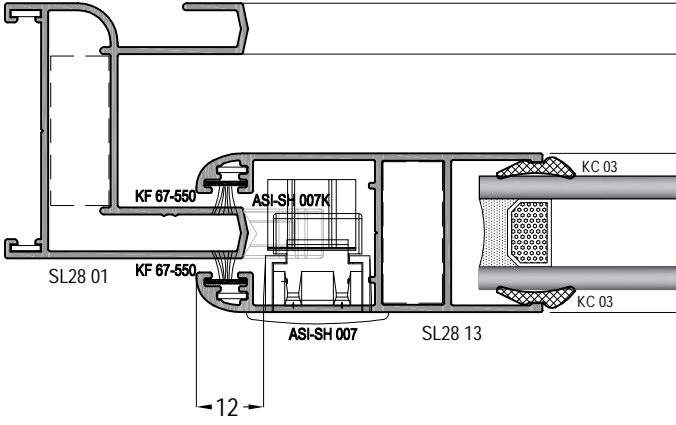
TEK KANAT Ç İ N = 120 kg

Single Sash = 120 kg

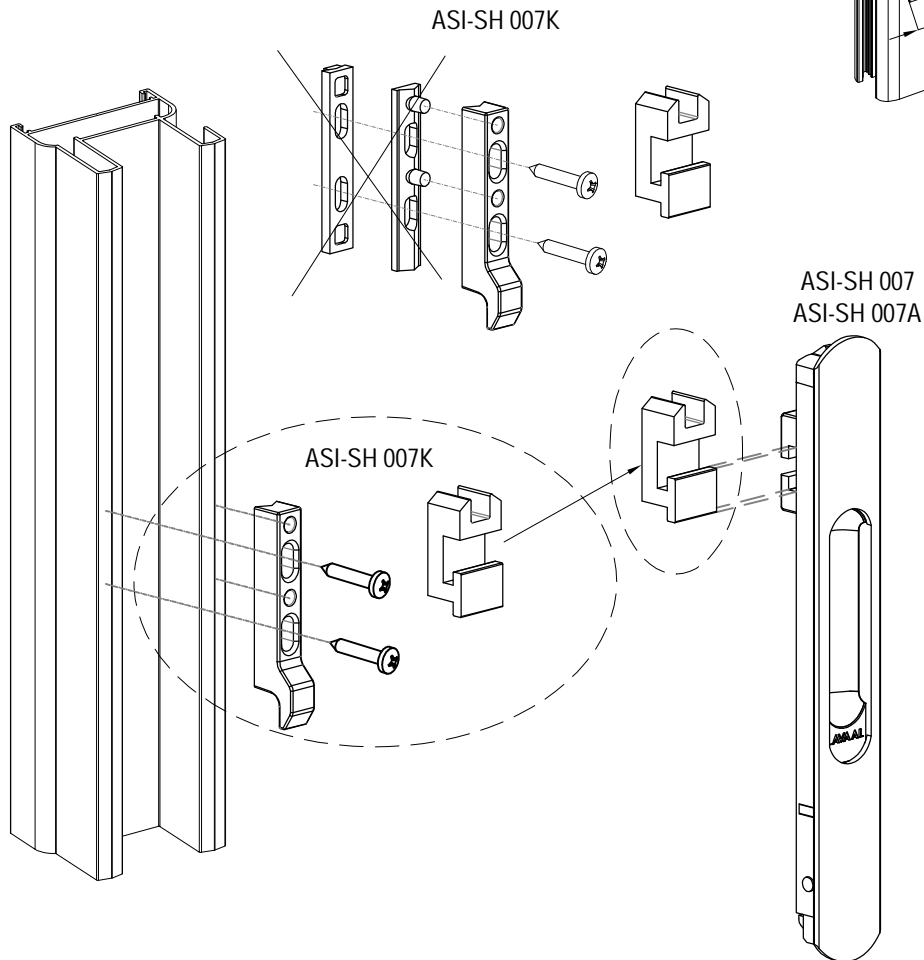
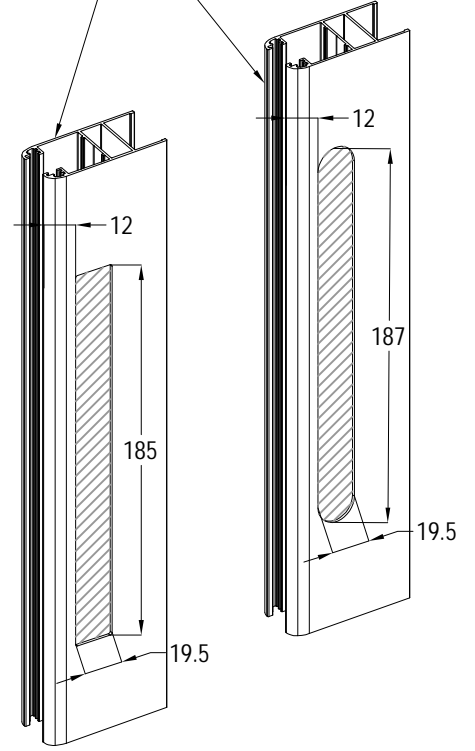


# SL28 - 1,2mm

YALITIMSIZ SÜRME SİSTEM  
COLD SLIDING SYSTEM



ASI-SH 007  
ASI-SH 007A  
ASI-SH 007B  
Ç N KOL YER KES M ÖLÇÜSÜ

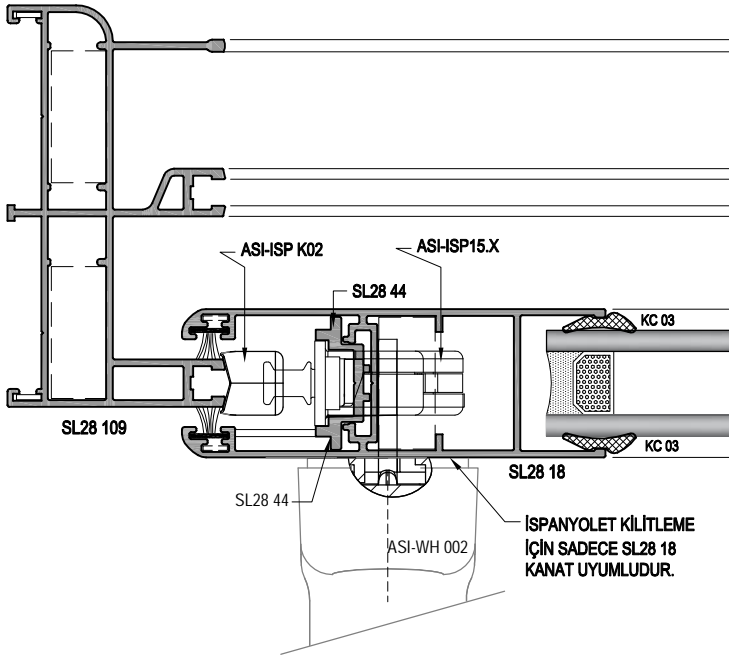


# SL28 - 1,2mm

YALITIMSIZ SÜRME SİSTEM  
COLD SLIDING SYSTEM

## ASISTAL

### İSPANYOLET KİLİTLEMESİ : ASI-ISP 15 MULTI POINT LOCKING : ASI-ISP 15



ASI-ISP15.0 (400 mm L K SPANYOLET Ç N)

KANAT YÜKSEKLİĞİ < 600mm

SL28 44 = 400mm X 1 ADET

ASI-ISP K02 = 2 ADET

ASI-ISP15.1 (600 mm L K SPANYOLET Ç N)

KANAT YÜKSEKLİĞİ < 1100mm

SL28 44 = 600mm X 1 ADET

ASI-ISP K02 = 2 ADET

ASI-ISP15.2 (1000mm L K SPANYOLET Ç N)

1900mm < KANAT YÜKSEKLİĞİ > 1100mm

SL28 44 = 1000mm X 1 ADET

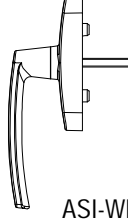
ASI-ISP K02 = 2 ADET

ASI-ISP15.3 (1800mm L K SPANYOLET Ç N)

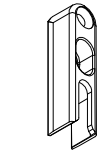
KANAT YÜKSEKLİĞİ > 1900mm

SL28 44 = 1800mm X 1 ADET

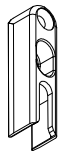
ASI-ISP K02 = 3 ADET



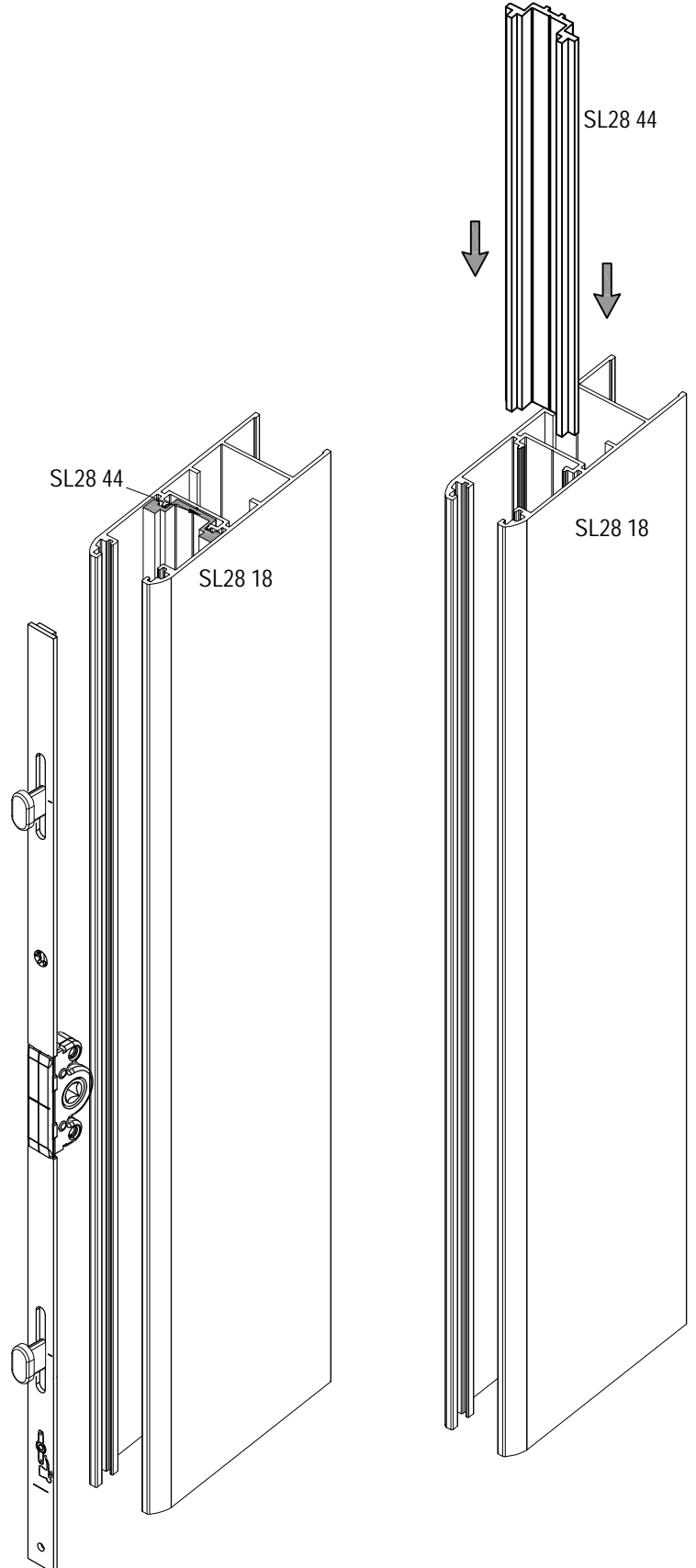
ASI-WH 002



ASI-ISP K02



ASI-ISP K02

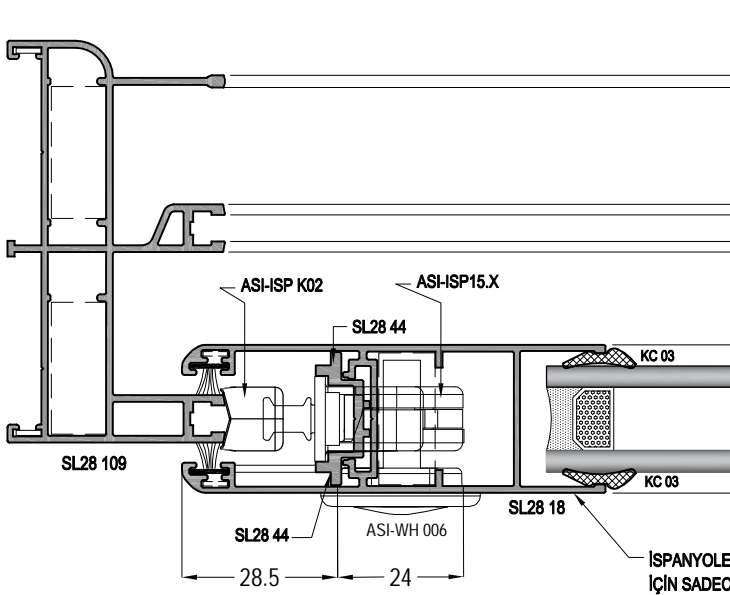


# SL28 - 1,2mm

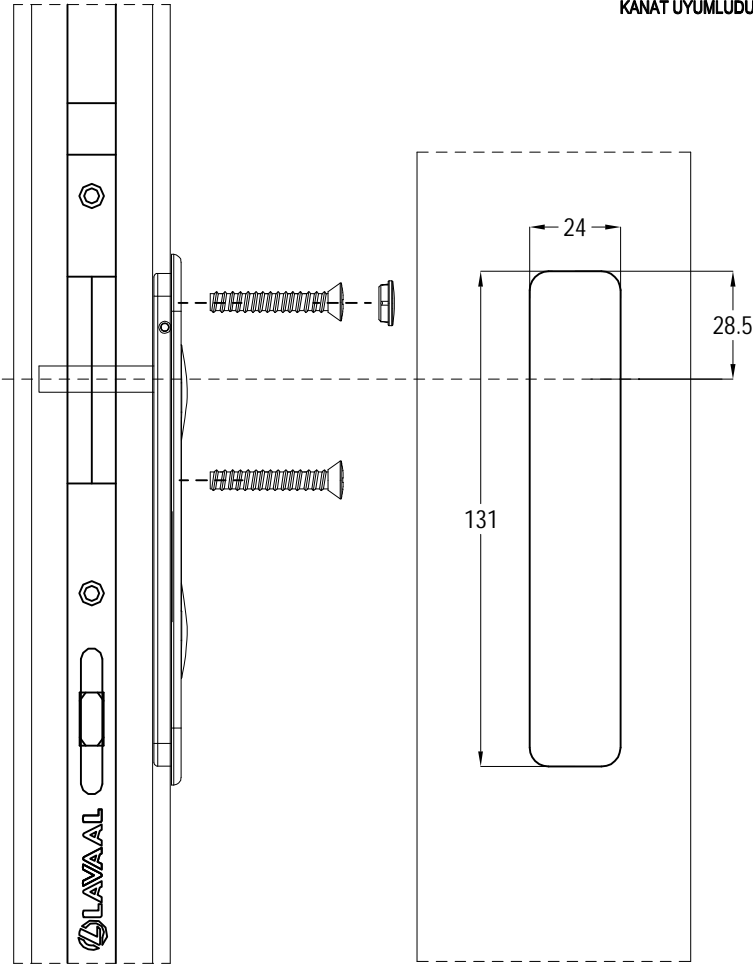
YALITIMSIZ SÜRME SİSTEM  
COLD SLIDING SYSTEM

ASISTAL

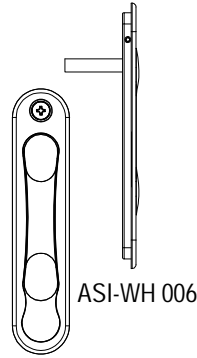
## İSPANYOLET KİLİTLEME GÖMME KOL MULTI POINT LOCKING EMBEDDED HANDLE



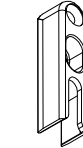
İSPANYOLET KİLİTLEME  
İÇİN SADECE SL28 18  
KANAT UYUMLUDUR.



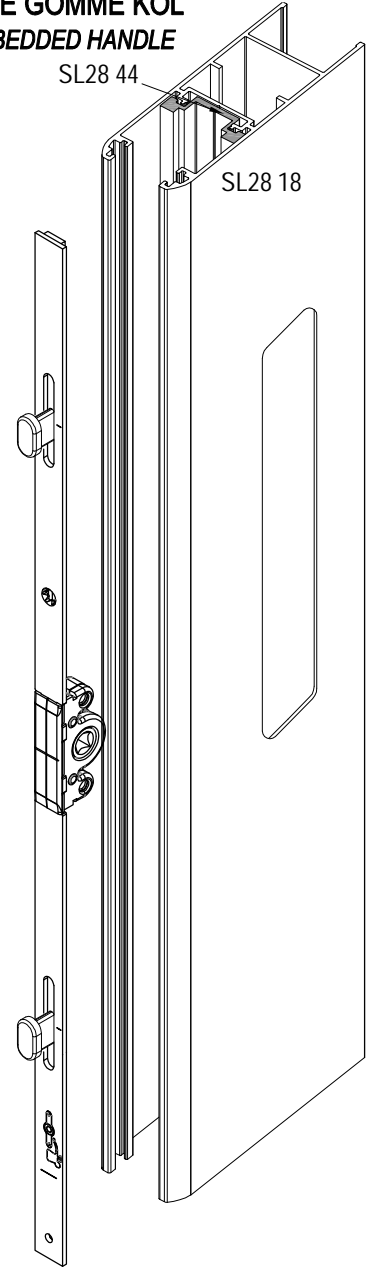
ASI-ISP K02



ASI-WH 006

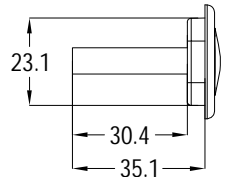
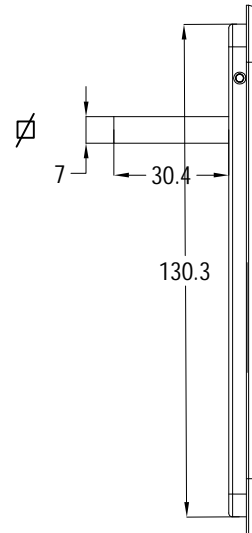
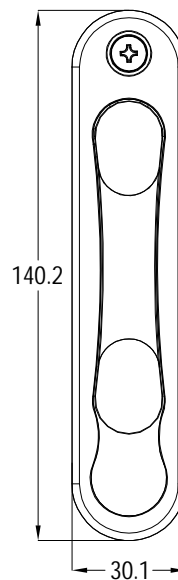


ASI-ISP K02



SL28 44

SL28 18

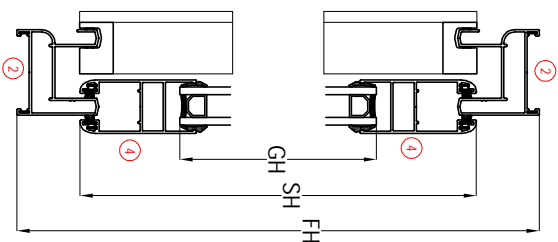
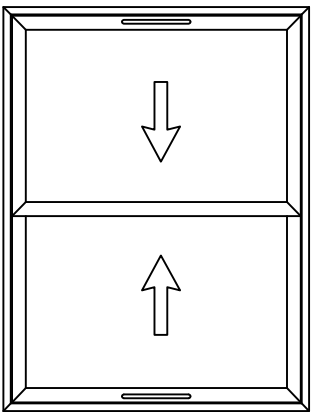
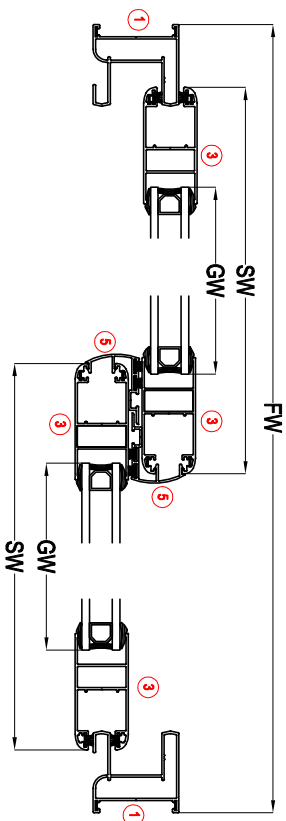




**KESİM VE MONTAJ ÇİZİMLERİ**  
***CUTTING & ASSEMBLY DRAWINGS***

## 2 HAREKETLİ KANAT KESİM ÖLÇÜLERİ 2 SLIDING SASHES CUTTING SIZE

1A



CAM KESİM ÖLÇÜLERİ / GLASS CUTTING SIZES		
KOD / Code	CAM / Glass	TANIMI / Description
SL28 11	GW	CAM GEN L K / Sash Glass Width
SL28 13	GH	CAM YÜKSEKLİK / Sash Glass Height
SL28 16	GW	CAM GEN L K / Sash Glass Width
SL28 17	GH	CAM YÜKSEKLİK / Sash Glass Height
SL28 18	GH	CAM YÜKSEKLİK / Sash Glass Height

SL28 13 VE SL28 17 PROFİLLERİNDE TEK CAM ÇİN ADAPTÖR PROFİLİ SL28 72 KESİM TABLOSU Cutting sizes Table for SL28 72 profile converting SL28 13-SL28 17 sashes for single glass installation						
NO / Number	ADET / Unit	KOD / Code	PROFİL ÇİZİM / Drawing	PROFİL TANIMI / Description	KESİM ÖLÇÜSÜ / Cutting Dimensions	
6	4	SL28 72		YATAY KANAT ADAPTÖR PROFİLİ (SL28 13) Horizontal Adapter Profile	SW - 91,4mm	
6	4	SL28 72		DU EY KANAT ADAPTÖR PROFİLİ (SL28 13) Vertical Adapter Profile	SH - 91,4mm	
7	4	SL28 72		YATAY KANAT ADAPTÖR PROFİLİ (SL28 17) Horizontal Adapter Profile	SW - 129,4mm	
7	4	SL28 72		DU EY KANAT ADAPTÖR PROFİLİ (SL28 17) Vertical Adapter Profile	SH - 129,4mm	

### PROFİLLER / PROFILES

NO / Number	ADET / Unit	KOD / Code	PROFİL ÇİZİM / Drawing	PROFİL TANIMI / Description	KESİM ÖLÇÜSÜ / Cutting Dimensions
1	2	SL28 01		DU EY KASA PROFİLİ / Vertical Frame Profile	FH
		SL28 02		DU EY KASA PROFİLİ / Vertical Frame Profile	FH
		SL28 07		DU EY KASA PROFİLİ / Vertical Frame Profile	FH
		SL28 08		DU EY KASA PROFİLİ / Vertical Frame Profile	FH
		SL28 09		DU EY KASA PROFİLİ / Vertical Frame Profile	FH
2	2	SL28 01		YATAY KASA PROFİLİ / Horizontal Frame Profile	FW
		SL28 02		YATAY KASA PROFİLİ / Horizontal Frame Profile	FW
		SL28 07		YATAY KASA PROFİLİ / Horizontal Frame Profile	FW
		SL28 08		YATAY KASA PROFİLİ / Horizontal Frame Profile	FW
		SL28 09		YATAY KASA PROFİLİ / Horizontal Frame Profile	FW
3	4	SL28 11		DU EY KANAT PROFİLİ / Vertical Sash Profile	SH+FH - 68mm
		SL28 13		DU EY KANAT PROFİLİ / Vertical Sash Profile	SH+FH - 68mm
		SL28 16		DU EY KANAT PROFİLİ / Vertical Sash Profile	SH+FH - 68mm
		SL28 17		DU EY KANAT PROFİLİ / Vertical Sash Profile	SH+FH - 68mm
4	4	SL28 11		YATAY KANAT PROFİLİ / Horizontal Frame Profile	ΔW+FW/2 ± 3,0mm
		SL28 13		YATAY KANAT PROFİLİ / Horizontal Frame Profile	ΔW+FW/2 ± 3,0mm
		SL28 16		YATAY KANAT PROFİLİ / Horizontal Frame Profile	ΔW+FW/2 ± 3,0mm
		SL28 17		YATAY KANAT PROFİLİ / Horizontal Frame Profile	ΔW+FW/2 ± 3,0mm
5	2	SL28 41		KENET PROFİLİ (SL28 11- SL28 13) Central Locking Profile for SL28 11-SL28 13	SH-30mm
		SL28 42		KENET PROFİLİ (SL28 16- SL28 17) Central Locking Profile for SL28 16-SL28 17	SH - 30mm

### FİTİLLER / GASKETS

MKTAR / Unit	KOD / Code	PROFİL ÇİZİM / Drawing	PROFİL TANIMI / Description	KESİM ÖLÇÜSÜ / Cutting Dimensions
ml	KC 02		CAM FİTİL / Gazing Gasket	(Ø57)-(Ø55)
ml	KT 67/550		FIRÇA FİTİL / Brush Gasket - 5,5 mm	(Ø57)-(Ø55)
AKSESUARLAR / ACCESSORIES				
2 Adet / Pcs	ASI-SFP 01		HAVA KESİCİ - ALTÜSTÜ / Central Sealing TopBottom	
4 Adet / Pcs	ASI-STP 03		KANAT STÖPERİ / Sash Stopper	
2 Adet / Pcs	ASI-SH 007		HAUZ KOL / Embedded Handle	
2 Takım / Set	ASI-SH 007K		HAUZLUZ KOL KARKILIK / Embedded Handle Slide	
4 Adet / Pcs	ASI-SR 02		AYARLI ÇFTL RULMAN / Double Sliding Roller	
2 Takım / Set	SL28 KP		KENET KAPAĞI - ALTÜSTÜ / Interlock Profile Cap TopBottom	
8 Adet / Pcs	ASIPB 1124		KO E P ML BA LANTİ / Corner Joint Pin	
4 Adet / Pcs	ASIPB 1126 ASIKT 1126		KO E TAKOZLU veya P ML BA LANTİ / Corner Joint Pins or Pin	
24 Adet / Pcs	ASISB 119		KO E GÖNVER / Corner Alignment	

PROF LLER / PROFILES

NO / Number	ADET / Unit	KOD / Code	PROF L Ç Z M / Drawing	PROF L TANIMI / Description	KES M ÖLÇÜSÜ / Cutting Dimensions
1	2	SL28 01		DU EY KASA PROF L / Vertical Frame Profile	FH
		SL28 02		DU EY KASA PROF L / Vertical Frame Profile	FH
		SL28 07		DU EY KASA PROF L / Vertical Frame Profile	FH
		SL28 08		DU EY KASA PROF L / Vertical Frame Profile	FH
		SL28 09		DU EY KASA PROF L / Vertical Frame Profile	FH
2	2	SL28 01		YATAY KASA PROF L / Horizontal Frame Profile	FW
		SL28 02		YATAY KASA PROF L / Horizontal Frame Profile	FW
		SL28 07		YATAY KASA PROF L / Horizontal Frame Profile	FW
		SL28 08		YATAY KASA PROF L / Horizontal Frame Profile	FW
		SL28 09		YATAY KASA PROF L / Horizontal Frame Profile	FW
3	4	SL28 18		DU EY KANAT PROF L / Vertical Sash Profile	SH=FH - 68mm
4	4	SL28 18		YATAY KANAT PROF L / Horizontal Frame Profile	SH=FW/2 + 3,6mm
5	2	SL28 43		KENET PROF L / Central locking Profile	SH - 30mm

F T L L E R / G A S K E T S

MKTAR / Unit	KOD / Code	PROF L Ç Z M / Drawing	PROF L TANIMI / Description	KES M ÖLÇÜSÜ / Cutting Dimensions
ml	KC 02		CAM F T L / Glazing Gasket	(8xSH)-(8xSV)
ml	KF 67-550		FIRÇA F T L / Brush Gasket - 5,5 mm	4xSH
ml	KF 67-700		KANAT Ç N FIRÇA F T L / Brush Gasket - 7mm	(4xSH)-(4xSV)

A K E S E S U A R L A R / A C C E S S O R I E S

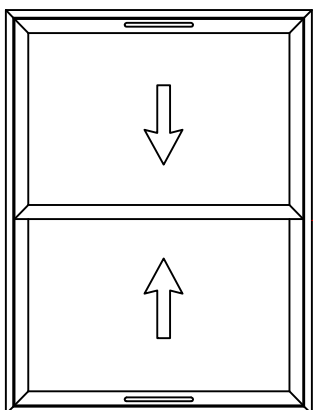
2 Adet / Pcs	ASISFP 01		HAVA KES C - ALTUŞT / Central Sealing Top/Bottom	
4 Adet / Pcs	ASISFP 03		KANAT STOPER / Sash Stopper	
2 Adet / Pcs	ASISHP 15.1 ASISHP 15.2 ASISHP 15.3		SPANVOLET K L TLEM E / Multipoint Lock	
6 Adet / Pcs	ASHSP K02		SPANVOLET K L T KAR İL L / Multipoint Strike	
2 Adet / Pcs	SL28 44		SPANVOLET K L TLEM E KANAL PROF L / Multipoint Lock Profile	
2 Adet / Pcs	ASIVH 002		SPANVOLET K L TLEM E KOL / Multipoint Lock Handle	
4 Adet / Pcs	ASISR 02		AYARLI Ç FTL RULMAN / Double Sliding Roller	
2 Takım / Set	SL28 KP		KENET KAPA I - ALTUŞT / Interlock Profile Cap Top/Bottom	
8 Adet / Pcs	ASIPB 1124		KO E P M L BA LANTI / Corner Joint Pin	
4 Adet / Pcs	ASIPB 1126 ASIKT 1126		KO E TAKOZLU vey a P M L BA LANTI / Corner Joint Pins or Pin	
24 Adet / Pcs	ASISB 19		KO E GONVES / Corner Alignment	

SL28 18 PROF L L E R N D E T E K C A M Ç N A D A P T Ö R P R O F L S L 2 8 7 2 K E S M T A B L O S U

NO / Number	ADET / Unit	KOD / Code	PROF L Ç Z M / Drawing	PROF L TANIMI / Description	KES M ÖLÇÜSÜ / Cutting Dimensions
SL28 18	4	SL28 72		YATAY KANAT ADAPTOR PROF L / Horizontal Adapter Profile	SH - 129,4mm
SL28 18	4	SL28 72		DU EY KANAT ADAPTOR PROF L / Vertical Adapter Profile	SH - 129,4mm

1B

1C



2 HAREKETL KANAT KES M ÖLÇÜLER  
2 SLIDING SASHES CUTTING SIZE

NO / Number	ADET / Unit	KOD / Code	PROF L Ç Z M / Drawing	PROF L TANIMI / Description	KES M ÖLÇÜSÜ / Cutting Dimensions
1	2	SL28 108		DU EY KASA PROF L / Vertical Frame Profile	FH
		SL28 109		DU EY KASA PROF L / Vertical Frame Profile	FH
2	2	SL28 108		YATAY KASA PROF L / Horizontal Frame Profile	FW
		SL28 109		YATAY KASA PROF L / Horizontal Frame Profile	FW
3	4	SL28 18		DU EY KANAT PROF L / Vertical Sash Profile	SH=FH - 66mm
4	4	SL28 18		YATAY KANAT PROF L / Horizontal Frame Profile	SH=FW/2 + 5,9mm
5	2	SL28 43		KENET PROF L / Central Locking Profile	SH - 30mm
		ASHNR 01		ÇEL K RAY PROF L / Steel Rail Profile	FW - 82mm

PROF L L E R / PROFILES

F T L L E R / G A S K E T S

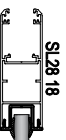
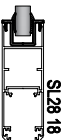
MKTAR / Unit	KOD / Code	PROF L Ç Z M / Drawing	PROF L TANIMI / Description	KES M ÖLÇÜSÜ / Cutting Dimensions
ml	KC 02		CAM F T L / Glazing Gasket	(8xSH)-(8xSV)
ml	KF 67-550		FIRÇA F T L / Brush Gasket - 5,5 mm	4xSH
ml	KF 67-700		KANAT Ç N FIRÇA F T L / Brush Gasket - 7mm	(4xSH)-(4xSV)

A K E S E S U A R L A R / A C C E S S O R I E S

2 Adet / Pcs	ASISFP 01		HAVA KES C - ALTUŞT / Central Sealing Top/Bottom	
4 Adet / Pcs	ASISFP 03		KANAT STOPER / Sash Stopper	
2 Adet / Pcs	ASISHP 15.1 ASISHP 15.2 ASISHP 15.3		SPANVOLET K L TLEM E / Multipoint Lock	
6 Adet / Pcs	ASHSP K02		SPANVOLET K L T KAR İL L / Multipoint Strike	
2 Adet / Pcs	SL28 44		SPANVOLET K L TLEM E KANAL PROF L / Multipoint Lock Profile	
2 Adet / Pcs	ASIVH 002		SPANVOLET K L TLEM E KOL / Multipoint Lock Handle	
4 Adet / Pcs	ASISR 02R		AYARLI Ç FTL RULMAN / Double Sliding Roller	
2 Takım / Set	SL28 KP		KENET KAPA I - ALTUŞT / Interlock Profile Cap Top/Bottom	
8 Adet / Pcs	ASIPB 1124		KO E P M L BA LANTI / Corner Joint Pin	
8 Adet / Pcs	ASIPB 1124 ASIKT 1124		KO E TAKOZLU vey a P M L BA LANTI / Corner Joint Pins or Pin	
24 Adet / Pcs	ASISB 19		KO E GONVES / Corner Alignment	

SL28 18 PROF L L E R N D E T E K C A M Ç N A D A P T Ö R P R O F L S L 2 8 7 2 K E S M T A B L O S U

NO / Number	ADET / Unit	KOD / Code	PROF L Ç Z M / Drawing	PROF L TANIMI / Description	KES M ÖLÇÜSÜ / Cutting Dimensions
SL28 18	4	SL28 72		YATAY KANAT ADAPTOR PROF L / Horizontal Adapter Profile	SH - 129,4mm
SL28 18	4	SL28 72		DU EY KANAT ADAPTOR PROF L / Vertical Adapter Profile	SH - 129,4mm



## 2 HAREKETLİ KANAT KESİM ÖLÇÜLERİ 2 SLIDING SASHES CUTTING SIZE

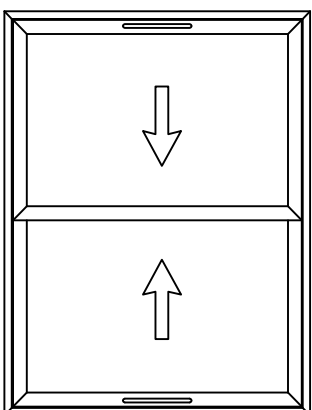
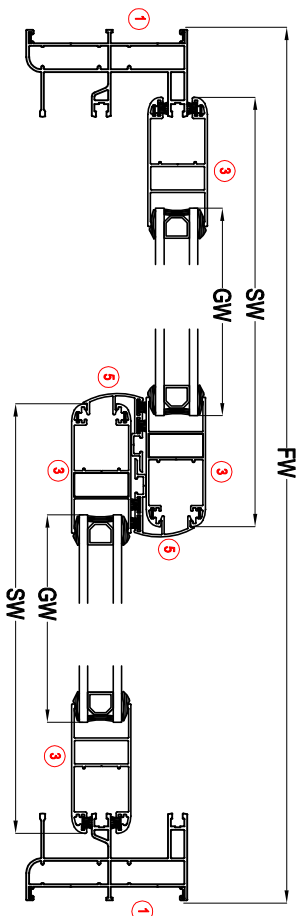
1D

### PROFİLLER / PROFILES

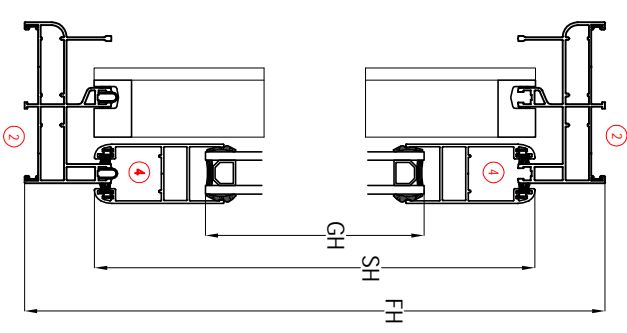
NO / Number	ADET / Unit	KOD / Code	PROFİL ÇİZİM / Drawing	PROFİL TANIMI / Description	KESİM ÖLÇÜSÜ / Cutting Dimensions
1	2	SL28 108		DU EY KASA PROFİL / Vertical Frame Profile	FH
		SL28 109		DU EY KASA PROFİL / Vertical Frame Profile	FH
2	2	SL28 108		YATAY KASA PROFİL / Horizontal Frame Profile	FW
		SL28 109		YATAY KASA PROFİL / Horizontal Frame Profile	FW
3	4	SL28 11		DU EY KANAT PROFİL / Vertical Sash Profile	SH+EH - 64mm
		SL28 13		DU EY KANAT PROFİL / Vertical Sash Profile	SH+EH - 64mm
		SL28 16		DU EY KANAT PROFİL / Vertical Sash Profile	SH+EH - 64mm
		SL28 17		DU EY KANAT PROFİL / Vertical Sash Profile	SH+EH - 64mm
4	4	SL28 11		YATAY KANAT PROFİL / Horizontal Frame Profile	SW+FW/2 - 2,8 mm
		SL28 13		YATAY KANAT PROFİL / Horizontal Frame Profile	SW+FW/2 - 2,8 mm
		SL28 16		YATAY KANAT PROFİL / Horizontal Frame Profile	SW+FW/2 + 5,5mm
		SL28 17		YATAY KANAT PROFİL / Horizontal Frame Profile	SW+FW/2 + 5,5mm
5	2	SL28 41		KENET PROFİL (SL28 11, SL28 13, Central Locking Profile for SL28 11, SL28 13)	SH - 30mm
		SL28 42		KENET PROFİL (SL28 16, SL28 17) Central Locking Profile for SL28 16, SL28 17	SH - 30mm
2		ASHİNG 01		ÇELİK RAY PROFİL / Steel Rail Profile	FW - 82mm

### FİTLER / GASKETS

MKTAR / Unit	KOD / Code	PROFİL ÇİZİM / Drawing	PROFİL TANIMI / Description	KESİM ÖLÇÜSÜ / Cutting Dimensions
ml	KÇ 02		CAM FİTİL / Glazing Gasket	(Ø)SH, (Ø)SW
ml	KÇ 02/550		FIRÇA FİTİL / Brush Gasket - 5,5 mm	(Ø)SH, (Ø)SW
<b>AKSESUARLAR / ACCESSORIES</b>				
2 Adet / Pcs	ASI-SFP 01		HAVA KESCİ - ALTUŞT / Central Sealing Top/Bottom	
4 Adet / Pcs	ASI-STP 03		KANAT STOPER / Sash Stopper	
2 Adet / Pcs	ASISH 007		HAVUZ KOL / Embedded Handle	
2 Tıkım / Set	ASISH 007K		HAVUZLU KOL KARKI / Embedded Handle Strike	
4 Adet / Pcs	ASISR 02R		AVARU ÇİFTLİ RULMAN / Double Sliding Roller	
2 Tıkım / Set	SL28 KP		KENET KAPAĞI - ALTUŞT / Lock Profile Cap Top/Bottom	
8 Adet / Pcs	ASHPB 1124		KÖ E P.M.L. BAĞLANTISI / Corner Joint Pin	
8 Adet / Pcs	ASHPB 1124		KÖ E P.M.L. BAĞLANTISI / Corner Joint Pin	
24 Adet / Pcs	ASISB 19		KÖ E GÖNYESİ / Corner Alignment	

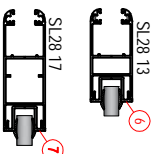


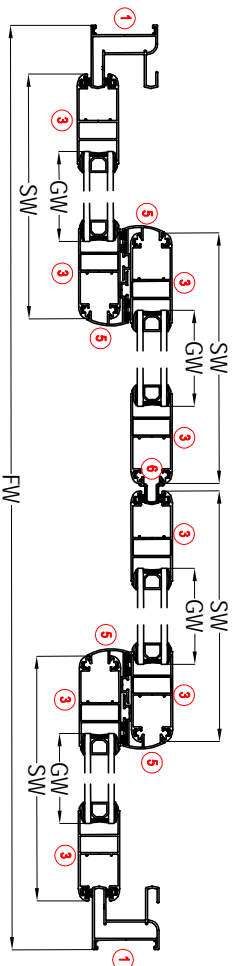
CAM KESİM ÖLÇÜLERİ / GLASS CUTTING SIZES			
KOD / Code	CAM / Glass	TANIMI / Description	KESİM ÖLÇÜSÜ / Cutting Dimensions
SL28 11	GW	CAM GENİRLİK / Sash Glass Width	GW = SW - 100 mm
SL28 13	GH	CAM YÜKSEKLİK / Sash Glass Height	GH = SH - 100 mm
SL28 11	GW	CAM GENİRLİK / Sash Glass Width	GW = SW - 138 mm
SL28 17	GH	CAM YÜKSEKLİK / Sash Glass Height	GH = SH - 138 mm
SL28 16	GH	CAM YÜKSEKLİK / Sash Glass Height	GH = SH - 138 mm
SL28 17	GH	CAM YÜKSEKLİK / Sash Glass Height	GH = SH - 138 mm
SL28 18	GH	CAM YÜKSEKLİK / Sash Glass Height	GH = SH - 138 mm



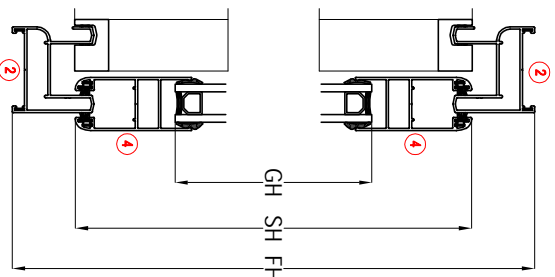
SL28 13 VE SL28 17 PROFİLLERİNDE TEK CAM ÇİNADAPTOR PROFİL SL28 72 KESİM TABLOSU  
Cutting sizes Table for SL28 72 profile converting SL28 13, SL28 17 sashes for single glass installation.

NO / Number	ADET / Unit	KOD / Code	PROFİL ÇİZİM / Drawing	PROFİL TANIMI / Description	KESİM ÖLÇÜSÜ / Cutting Dimensions
6	4	SL28 72		YATAY KANAT ADAPTOR PROFİL (SL28 13) Horizontal Adapter Profile	SW - 97,4mm
6	4	SL28 72		DU EY KANAT ADAPTOR PROFİL (SL28 13) Vertical Adapter Profile	SH - 97,4mm
7	4	SL28 72		YATAY KANAT ADAPTOR PROFİL (SL28 17) Horizontal Adapter Profile	SW - 129,4mm
7	4	SL28 72		DU EY KANAT ADAPTOR PROFİL (SL28 17) Vertical Adapter Profile	SH - 129,4mm





CAM KES M ÖLÇÜLER / GLASS CUTTING SIZES		TANIMI / Description	KES M ÖLÇÜSÜ / Cutting Dimensions
KOD / Code	CAM / Glass		
SL28 11	GW	CAM GEN L K / Sash Glass Width	GW = SW-100 mm
SL28 13	GH	CAM YÜKSEKL K / Sash Glass Height	GH = SH+100 mm
SL28 16	GW	CAM GEN L K / Sash Glass Width	GW = SW - 139mm
SL28 17	GH	CAM YÜKSEKL K / Sash Glass Height	GH = SH - 139mm



SL28 13 VE SL28 17 PROF İLLER NDE TEK CAM Ç N ADAPTÖR PROF L SL28 72 KES M TABLOSU Cutting sizes Table for SL28 72 profile converting SL28 13 SL28 17 sashes for single glass installation					
NO / Number	ADET / Unit	KOD / Code	PROF L Ç Z M / Drawing	PROF L TANIMI / Description	KES M ÖLÇÜSÜ / Cutting Dimensions
6	8	SL28 72		YATAY KANAT ADAPTÖR PROF L (SL28 13) Horizontal Adapter Profile	SW - 91,4mm
6	8	SL28 72		DU EY KANAT ADAPTÖR PROF L (SL28 13) Vertical Adapter Profile	SH - 91,4mm
7	8	SL28 72		YATAY KANAT ADAPTÖR PROF L (SL28 17) Horizontal Adapter Profile	SW - 129,4mm
7	8	SL28 72		DU EY KANAT ADAPTÖR PROF L (SL28 17) Vertical Adapter Profile	SH - 129,4mm

PROF İLLER / PROFILES

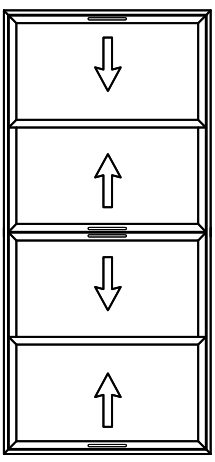
NO / Number	ADET / Unit	KOD / Code	PROF L Ç Z M / Drawing	PROF L TANIMI / Description	KES M ÖLÇÜSÜ / Cutting Dimensions
1	2	SL28 01		DU EY KASA PROF L / Vertical Frame Profile	FH
		SL28 02		DU EY KASA PROF L / Vertical Frame Profile	FH
		SL28 07		DU EY KASA PROF L / Vertical Frame Profile	FH
		SL28 08		DU EY KASA PROF L / Vertical Frame Profile	FH
		SL28 09		DU EY KASA PROF L / Vertical Frame Profile	FH
2	2	SL28 01		YATAY KASA PROF L / Horizontal Frame Profile	FW
		SL28 02		YATAY KASA PROF L / Horizontal Frame Profile	FW
		SL28 07		YATAY KASA PROF L / Horizontal Frame Profile	FW
		SL28 08		YATAY KASA PROF L / Horizontal Frame Profile	FW
		SL28 09		YATAY KASA PROF L / Horizontal Frame Profile	FW
3	8	SL28 11		DU EY KANAT PROF L / Vertical Sash Profile	SH-EH - 68mm
		SL28 13		DU EY KANAT PROF L / Vertical Sash Profile	SH-EH - 68mm
		SL28 16		DU EY KANAT PROF L / Vertical Sash Profile	SH-EH - 68mm
		SL28 17		DU EY KANAT PROF L / Vertical Sash Profile	SH-EH - 68mm
4	8	SL28 11		YATAY KANAT PROF L / Horizontal Frame Profile	SW-EW+ 11mm
		SL28 13		YATAY KANAT PROF L / Horizontal Frame Profile	SW-EW+ 11mm
		SL28 16		YATAY KANAT PROF L / Horizontal Frame Profile	SW-EW+ 19,3mm
		SL28 17		YATAY KANAT PROF L / Horizontal Frame Profile	SW-EW+ 19,3mm
5	4	SL28 41		KENET PROF L (SL28 11-SL28 13) Central Locking Profile for SL28 11-SL28 13	SH-30mm
		SL28 42		KENET PROF L (SL28 16-SL28 17) Central Locking Profile for SL28 16-SL28 17	SH - 30mm
6	1	SL28 62		ADAPTÖR PROF L / Adapter Profile	SL28 62 = SH - 25mm

F İLLER / GASKETS

M KTAIR / Unit	KOD / Code	PROF L Ç Z M / Drawing	PROF L TANIMI / Description	KES M ÖLÇÜSÜ / Cutting Dimensions
ml	KC 02		CAM F T L / Glazing Gasket	(16x5H) - (16x5W)
ml	KF 67/50		FIRÇA F T L / Brush Gasket - 5,5 mm	(14x5H) - (14x5W)
AKSESUARLAR / ACCESSORIES				
4 Adet / Pcs	ASI-SFP 01		HAVA KES C - ALT/ÜST / Central Sealing Top/bottom	
6 Adet / Pcs	ASI-STP 03		KANAT STÖPER / Sash Stopper	
3 Adet / Pcs	ASI-SH 007		HAVUZ KOL / Embedded Handle	
3 Takım / Set	ASI-SH 007K		HAVUZLU KOL KAR LIK / Embedded Handle Strike	
8 Adet / Pcs	ASI-SR 02		AVARLU Ç FTL RULMAN / Double Sliding Roller	
4 Takım / Set	SL28 KP		KENET KAPA T - ALT/ÜST / necktop Profile Cap Top/bottom	
16 Adet / Pcs	ASI-PB 1124		KO E P ML BA LANIT / Corner Joint Pin	
4 Adet / Pcs	ASI-PB 1126 ASIKI 1126		KO E TAKOZU veyâ P ML BA LANIT / Corner Joint Pins or Pin	
40 Adet / Pcs	ASI-SB 19		KO E GÖNYES / Corner Alignment	

NO / Number	ADET / Unit	KOD / Code	PROF L Ç Z M / Drawing	PROF L TANIMI / Description	KES M ÖLÇÜSÜ / Cutting Dimensions
1	2	SL28 01		DU EY KASA PROF L / Vertical Frame Profile	FH
		SL28 02		DU EY KASA PROF L / Vertical Frame Profile	FH
		SL28 07		DU EY KASA PROF L / Vertical Frame Profile	FH
		SL28 08		DU EY KASA PROF L / Vertical Frame Profile	FH
		SL28 09		DU EY KASA PROF L / Vertical Frame Profile	FH
2	2	SL28 01		YATAY KASA PROF L / Horizontal Frame Profile	FW
		SL28 02		YATAY KASA PROF L / Horizontal Frame Profile	FW
		SL28 07		YATAY KASA PROF L / Horizontal Frame Profile	FW
		SL28 08		YATAY KASA PROF L / Horizontal Frame Profile	FW
		SL28 09		YATAY KASA PROF L / Horizontal Frame Profile	FW
3	8	SL28 18		DU EY KANAT PROF L / Vertical Sash Profile	SH=FH + 19,3mm
4	8	SL28 18		YATAY KANAT PROF L / Horizontal Frame Profile	SH - 30mm
5	4	SL28 43		KENET PROF L / Central Locking Profile	SH - 30mm
6	1	SL28 62		ADAPTÖR PROF L / Adapter Profile	SL28 62 = SH - 25mm

2B



2C

2 HAREKETLİ KANAT KES M ÖLÇÜLER  
2 SLIDING SASHES CUTTING SIZE

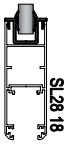
MKTAR / Unit	KOD / Code	PROF L Ç Z M / Drawing	PROF L TANIMI / Description	KES M ÖLÇÜSÜ / Cutting Dimensions
ml	KC 02		CAM F T L / Glazing Gasket	(16xSH)-(16xSW)
ml	KF 67-550		FIRÇA F T L / Brush Gasket - 55 mm	8xSH
ml	KF 67-700		KANAT Ç N FIRÇA F T L / Brush Gasket - 7mm	(6xSH)-(16xSW)

**F T L LER / GASKETS**

AKSESUARLAR / ACCESSORIES				
6 Adet / Pcs	ASI-SFP 01		HAVA KES C - ALTUŞT / Central Sealing TopBottom	
6 Adet / Pcs	ASI-STP 03		KANAT STOPER / Sash Stopper	
3 Adet / Pcs	ASHSP 15.1 ASHSP 15.2 ASHSP 15.3		SPANVOLET K L TLEME / Multipoint Lock	
9 Adet / Pcs	ASHSP K02		SPANVOLET K L T KAR ILI / Multipoint Strike	
3 Adet / Pcs	SL28 44		SPANVOLET K L TLEME KANAL PROF L / Mill Lock Profile	
3 Adet / Pcs	ASI-WH 002		SPANVOLET K L TLEME KOL / Multipoint Lock Handle	
8 Adet / Pcs	ASI-SR 02		AYARLI ÇFTL RULMAN / Double Sliding Roller	
4 Takım / Set	SL28 KP		KENET KAPA I - ALTUŞT / Interlock Profile Cap TopBottom	
16 Adet / Pcs	ASIPB 1124		KO E P ML BA LANIT / Corner Joint Pin	
4 Adet / Pcs	ASIPB 1126 ASIKT 1126		KO E TAKOZLU veyâ P ML BA LANIT / Corner Joint Pins or Pin (Kasa-Frame)	
40 Adet / Pcs	ASISB 19		KO E GÖNYES / Corner Alignment	

**AKSESUARLAR / ACCESSORIES**

SL28 18 PROF L LER NDE TEK CAM Ç N ADAPTÖR PROF L SL28 72 KES M TABLOSU					
NO / Number	ADET / Unit	KOD / Code	PROF L Ç Z M / Drawing	PROF L TANIMI / Description	KES M ÖLÇÜSÜ / Cutting Dimensions
SL28 18	4	SL28 72		YATAY KANAT ADAPTÖR PROF L Horizontal Adapter Profile	SW - 129,4mm
SL28 18	4	SL28 72		DU EY KANAT ADAPTÖR PROF L Vertical Adapter Profile	SH - 129,4mm



SL28 18

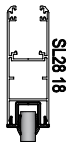
NO / Number	ADET / Unit	KOD / Code	PROF L Ç Z M / Drawing	PROF L TANIMI / Description	KES M ÖLÇÜSÜ / Cutting Dimensions
1	2	SL28 108		DU EY KASA PROF L / Vertical Frame Profile	FH
		SL28 109		DU EY KASA PROF L / Vertical Frame Profile	FH
2	2	SL28 108		YATAY KASA PROF L / Horizontal Frame Profile	FW
		SL28 109		YATAY KASA PROF L / Horizontal Frame Profile	FW
3	8	SL28 18		DU EY KANAT PROF L / Vertical Sash Profile	SH=FH - 64mm
		SL28 18		YATAY KANAT PROF L / Horizontal Frame Profile	SH=FH + 20,3mm
4	8	SL28 18		KENET PROF L / Central Locking Profile	SH - 30mm
5	8	SL28 43		ADAPTÖR PROF L / Adapter Profile	SL28 62 = SH - 25mm
6	1	SL28 62		ÇEL K RAY PROF L / Steel Rail Profile	FW - 82mm

F T L LER / GASKETS

MKTAR / Unit	KOD / Code	PROF L Ç Z M / Drawing	PROF L TANIMI / Description	KES M ÖLÇÜSÜ / Cutting Dimensions
ml	KC 02		CAM F T L / Glazing Gasket	(16xSH)-(16xSW)
ml	KF 67-550		FIRÇA F T L / Brush Gasket - 55 mm	8xSH
ml	KF 67-700		KANAT Ç N FIRÇA F T L / Brush Gasket - 7mm	(6xSH)-(16xSW)

**AKSESUARLAR / ACCESSORIES**

SL28 18 PROF L LER NDE TEK CAM Ç N ADAPTÖR PROF L SL28 72 KES M TABLOSU					
NO / Number	ADET / Unit	KOD / Code	PROF L Ç Z M / Drawing	PROF L TANIMI / Description	KES M ÖLÇÜSÜ / Cutting Dimensions
SL28 18	4	SL28 72		YATAY KANAT ADAPTÖR PROF L Horizontal Adapter Profile	SW - 129,4mm
SL28 18	4	SL28 72		DU EY KANAT ADAPTÖR PROF L Vertical Adapter Profile	SH - 129,4mm



SL28 18

SL28 18 PROF L LER NDE TEK CAM Ç N ADAPTÖR PROF L SL28 72 KES M TABLOSU					
NO / Number	ADET / Unit	KOD / Code	PROF L Ç Z M / Drawing	PROF L TANIMI / Description	KES M ÖLÇÜSÜ / Cutting Dimensions
SL28 18	4	SL28 72		YATAY KANAT ADAPTÖR PROF L Horizontal Adapter Profile	SW - 129,4mm
SL28 18	4	SL28 72		DU EY KANAT ADAPTÖR PROF L Vertical Adapter Profile	SH - 129,4mm

## 2 HAREKETLİ KANAT KESİM ÖLÇÜLERİ 2 SLIDING SASHES CUTTING SIZE

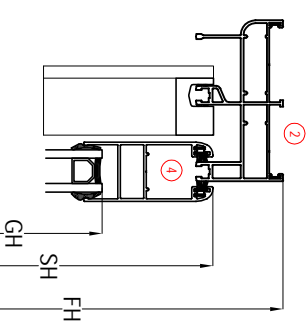
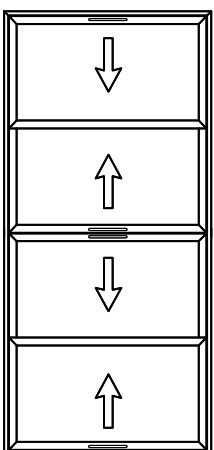
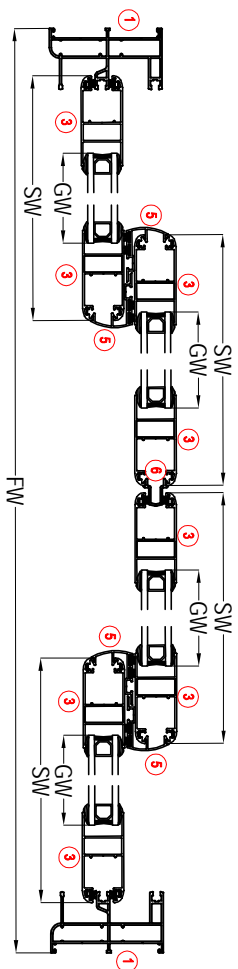
2D

### PROFİLLER / PROFILES

NO / Number	ADET / Unit	KOD / Code	PROFİL ÇİZİMİ / Drawing	PROFİL TANIMI / Description	KESİM ÖLÇÜSÜ / Cutting Dimensions
1	2	SL28 108		DU EY KASA PROFİL / Vertical Frame Profile	FH
2	2	SL28 109		DU EY KASA PROFİL / Vertical Frame Profile	FH
2	2	SL28 108		YATAY KASA PROFİL / Horizontal Frame Profile	FW
3	8	SL28 109		YATAY KASA PROFİL / Horizontal Frame Profile	FW
3	8	SL28 111		DU EY KANAT PROFİL / Vertical Sash Profile	SH=FH-64mm
		SL28 113		DU EY KANAT PROFİL / Vertical Sash Profile	SH=FH-64mm
		SL28 116		DU EY KANAT PROFİL / Vertical Sash Profile	SH=FH-64mm
4	8	SL28 111		DU EY KANAT PROFİL / Horizontal Sash Profile	SH=FH-64mm
		SL28 113		YATAY KANAT PROFİL / Horizontal Frame Profile	SH=FW+12mm
		SL28 116		YATAY KANAT PROFİL / Horizontal Frame Profile	SH=FW+12mm
		SL28 117		YATAY KANAT PROFİL / Horizontal Frame Profile	SH=FW+20.3mm
5	4	SL28 41		KENET PROFİL (SL28 11- SL28 13) Central Locking Profile for SL28 11,SL28 13	SH - 30mm
		SL28 42		KENET PROFİL (SL28 16- SL28 17) Central Locking Profile for SL28 16,SL28 17	SH - 30mm
6	1	SL28 62		ADAPTÖR PROFİL / Adapter Profile	SL28 62 = SH - 25mm
		2		ÇELİK RAY PROFİL / Steel Rail Profile	FW - 82mm

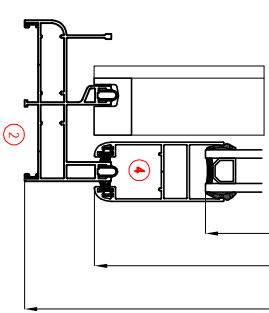
### FİTLER / GASKETS

MKTAR / Unit	KOD / Code	PROFİL ÇİZİMİ / Drawing	PROFİL TANIMI / Description	KESİM ÖLÇÜSÜ / Cutting Dimensions
ml	KC 02		CAM TİLİ / Glazing Gasket	(1xASH)-(1xASW)
ml	KF 67-550		FIRÇA TİLİ / Brush Gasket - 5,5 mm	(1xASH)-(1xASW)
<b>AKSESUARLAR / ACCESSORIES</b>				
4 Adet / Pcs	ASI-SFP 01		HAVA KESİCİ - ALT TİSİT / Central Sealing TopBottom	
6 Adet / Pcs	ASI-STP 03		KANAT DİSTOPER / Sash Stopper	
3 Adet / Pcs	ASI-SH 007		HAVUZ KOLU / Embedded Handle	
3 Takım / Set	ASI-SH 007K		HAVUZLU KOL KARKI / Embedded Handle Strike	
8 Adet / Pcs	ASI-SR 02R		AYRIKULU RULMAN / Double Sliding Roller	
4 Takım / Set	SL28 KP		KENET KAPAĞI - ALT TİSİT / Interior Profile-Cap TopBottom	
16 Adet / Pcs	ASI-PB 1124		KO EY KASA BAĞLANTI / Corner Joint Pin (Kasa-Sash)	
8 Adet / Pcs	ASI-PB 1124 ASIKT 1124		KO EY KANAT BAĞLANTI / Corner Joint Pins or Pin (Kasa - Frame)	
40 Adet / Pcs	ASI-SB 19		KO EY KANAT BAĞLANTI / Corner Alignment	



### CAM KESİM ÖLÇÜLERİ / GLASS CUTTING SIZES

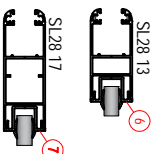
KOD / Code	CAM / Glass	TANIMI / Description	KESİM ÖLÇÜSÜ / Cutting Dimensions
SL28 11	GW	CAM GENİRLİK / Sash Glass Width	GW = SW-100 mm
SL28 13	GH	CAM YÜKSEKLİK / Sash Glass Height	GH = SH-100 mm
SL28 16	GW	CAM GENİRLİK / Sash Glass Width	GW = SW - 138mm
SL28 17	GH	CAM YÜKSEKLİK / Sash Glass Height	GH = SH - 138mm



### SL28 13 VE SL28 17 PROFİLLERİNDE TEK CAM ÇİNADAPTÖR PROFİLİ SL28 72 KESİM TABLOSU

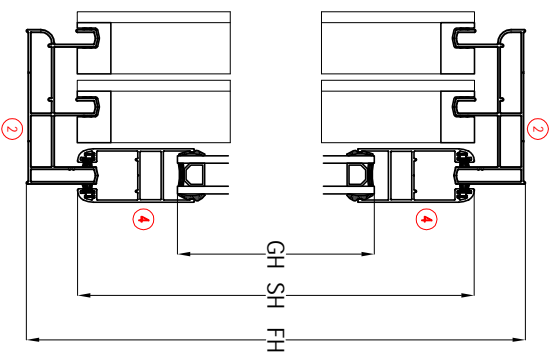
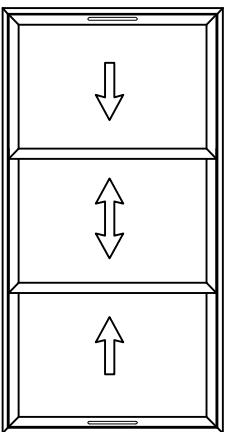
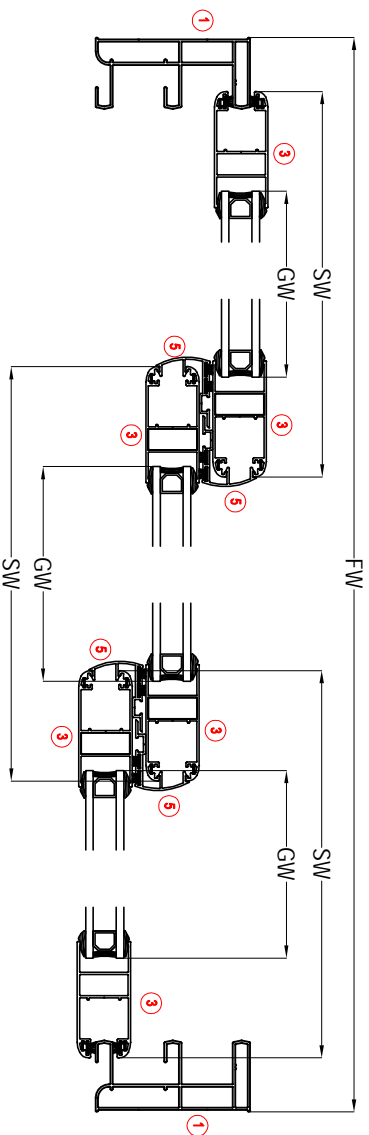
Cutting sizes Table for SL28 72 profile converting SL28 13,SL28 17 sashes for single glass installation

NO / Number	ADET / Unit	KOD / Code	PROFİL ÇİZİMİ / Drawing	PROFİL TANIMI / Description	KESİM ÖLÇÜSÜ / Cutting Dimensions
6	4	SL28 72		YATAY KANAT ADAPTÖR PROFİLİ (SL28 13) Horizontal Adapter Profile	SW - 97,4mm
6	4	SL28 72		DU EY KANAT ADAPTÖR PROFİLİ (SL28 13) Vertical Adapter Profile	SH - 97,4mm
7	4	SL28 72		YATAY KANAT ADAPTÖR PROFİLİ (SL28 17) Horizontal Adapter Profile	SW - 129,4mm
7	4	SL28 72		DU EY KANAT ADAPTÖR PROFİLİ (SL28 17) Vertical Adapter Profile	SH - 129,4mm



## 3 LU KANAT KES M OLCUCLER 3 SLIDING SASH CUTTING SIZES

3A



CAM KES M OLCUCLER / GLASS CUTTING SIZES			
KOD / Code	CAM / Glass	TANIMI / Description	KES M OLCUSU / Cutting Dimensions
SL2811	GW	CAM GEN L K / Sash Glass Width	GW = SW - 100 mm
SL2813	GH	CAM YUKSEKL K / Sash Glass Height	GH = SH - 100 mm
SL2816	GW	CAM GEN L K / Sash Glass Width	GW = SW - 138mm
SL2817	GH	CAM YUKSEKL K / Sash Glass Height	GH = SH - 138mm

PROF ILLER / PROFILES					
NO / Number	ADET / Unit	KOD / Code	PROF L Ç Z M / Drawing	PROF L TANIMI / Description	KES M OLCUSU / Cutting Dimensions
1	2	SL28 104		DU EY KASA PROF L / Vertical Frame Profile	FH
2	2	SL28 104		YATAY KASA PROF L / Horizontal Frame Profile	FH
3	6	SL28 111		DU EY KANAT PROF L / Vertical Sash Profile	SH=FH - 57 mm
		SL28 113		DU EY KANAT PROF L / Vertical Sash Profile	SH=FH - 57 mm
		SL28 16		DU EY KANAT PROF L / Vertical Sash Profile	SH=FH - 57 mm
		SL28 17		DU EY KANAT PROF L / Vertical Sash Profile	SH=FH - 57 mm
4	6	SL28 111		YATAY KANAT PROF L / Horizontal Frame Profile	SW=FW3 + 20mm
		SL28 13		YATAY KANAT PROF L / Horizontal Frame Profile	SW=FW3 + 31mm
		SL28 16		YATAY KANAT PROF L / Horizontal Frame Profile	SW=FW3 + 31mm
		SL28 17		YATAY KANAT PROF L / Horizontal Frame Profile	SW=FW3 + 31mm
5	4	SL28 41		KENET PROF L (SL28 11- SL28 13) Central Locking Profile for SL28 11- SL28 13	SH=30mm
		SL28 42		KENET PROF L (SL28 16- SL28 17) Central Locking Profile for SL28 16- SL28 17	SH - 30mm

### F ILLER / GASKETS

MKTAR / Unit	KOD / Code	PROF L Ç Z M / Drawing	PROF L TANIMI / Description	KES M OLCUSU / Cutting Dimensions
ml	KC 02		CAM F TL / Glazing Gasket	(12xSH)-(10xSW)
ml	KF 67.550		FIRÇA F TL / Brush Gasket - 5.5 mm	(12xSH)-(10xSW)
AKSESUARLAR / ACCESSORIES				
4 Adet / Pcs	ASI-SFP 01		HAVA KES C - ALTIJUST / Central Sealing Topbottom	
4 Adet / Pcs	ASI-STP 03		KANAT STOPER / Sash Stopper	
2 Adet / Pcs	ASI-SH 007		HAVUZ KOL / Embedded Handle	
2 Takım / Set	ASI-SH 007K		HAVUZLU KOL KAR LIK / Embedded Handle Stike	
6 Adet / Pcs	ASI-SR 02		AVARLI Ç FTL RULMAN / Double Sliding Roller	
4 Takım / Set	SL28 KP		KENET KAPA I - ALTIJUST / Inletlock Profile Cap Topbottom	
12 Adet / Pcs	ASIPB 1124		KO E P ML BA LANITI / Corner Joint Pin	
8 Adet / Pcs	ASIPB 1126 ASIKI 1126		KO E TAKOZLU veyg P ML BA LANITI / Corner Joint Pins or Pin	
24 Adet / Pcs	ASISB 19		KO E GÖNYES / Corner Alignment	

### SL28 13 VE SL28 17 PROF ILLER NDE TEK CAM Ç N ADAPTÖR PROF L SL28 72 KES M TABLOSU

Cutting sizes Table for SL28 72 profile converting SL28 13- SL28 17 sashes for single glass installation

NO / Number	ADET / Unit	KOD / Code	PROF L Ç Z M / Drawing	PROF L TANIMI / Description	KES M OLCUSU / Cutting Dimensions
6	6	SL28 72		YATAY KANAT ADAPTÖR PROF L (SL28 13) Horizontal Adapter Profile	SW - 91.4mm
6	6	SL28 72		DU EY KANAT ADAPTÖR PROF L (SL28 13) Vertical Adapter Profile	SH - 91.4mm
7	6	SL28 72		YATAY KANAT ADAPTÖR PROF L (SL28 17) Horizontal Adapter Profile	SW - 129.4mm
7	6	SL28 72		DU EY KANAT ADAPTÖR PROF L (SL28 17) Vertical Adapter Profile	SH - 129.4mm



NO / Number	ADET / Unit	KOD / Code	PROFİL ÇİZİM / Drawing	PROFİL TANIMI / Description	KESİM ÖLÇÜSÜ / Cutting Dimensions
1	2	SL28 104		DU EY KASA PROFİL / Vertical Frame Profile	FH
2	2	SL28 104		YATAY KASA PROFİL / Horizontal Frame Profile	FH
3	6	SL28 18		DU EY KANAT PROFİL / Vertical Sash Profile	SH=FH-57 mm
4	6	SL28 18		YATAY KANAT PROFİL / Horizontal Sash Profile	SH=FH/2 + 31mm
5	4	SL28 43		KENET PROFİL (SL28 16, SL28 17) Central Locking Profile for SL28 16-SL28 17	SH - 30mm

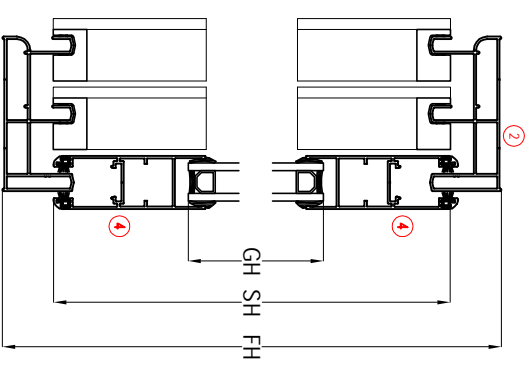
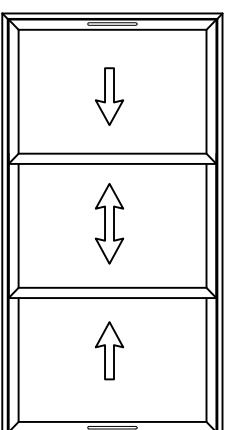
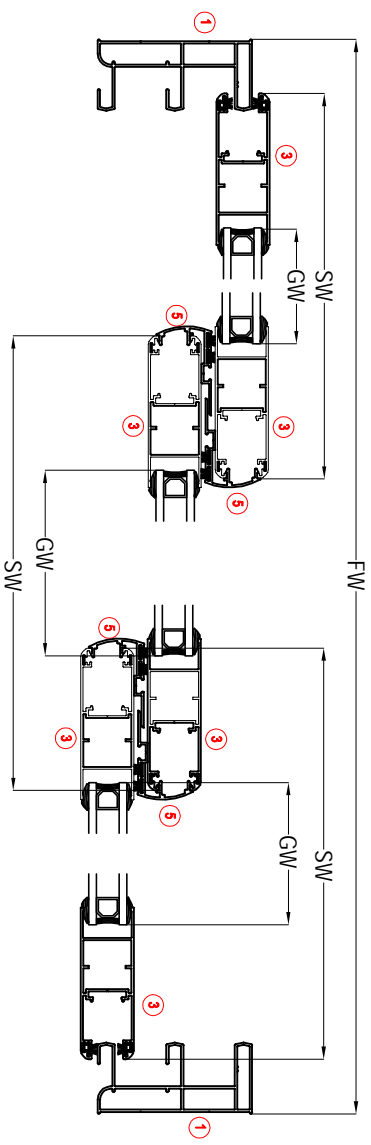
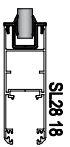
#### FİTLER / GASKETS

MKTAR / Unit	KOD / Code	PROFİL ÇİZİM / Drawing	PROFİL TANIMI / Description	KESİM ÖLÇÜSÜ / Cutting Dimensions
ml	KC 02		CAM FİTİL / Glazing Gasket	(12xSH)-(12xSW)
ml	KE 67-550		FİRÇA FİTİL / Brush Gasket - 5,5 mm	8xSH
ml	KE 67-700		KANAT ÇİN FİRÇA FİTİL / Brush Gasket - 7mm	(4xSH)-(12xSW)

#### AKSESUARLAR / ACCESSORIES

4 Adet / Pcs	ASI-SP 01		HAVAKES C - ALTUJST / Central Sealing Top/Bottom	
4 Adet / Pcs	ASI-SP 03		KANAT STOPER / Sash Stopper	
2 Adet / Pcs	ASH-SP 15.1 ASH-SP 15.2 ASH-SP 15.3		SPANVOLET KİLİTLEMELERİ / Multipoint Lock	
6 Adet / Pcs	ASH-SP K02		SPANVOLET KİLİT KARKILI / Multipoint Strike	
2 Adet / Pcs	SL28 44		SPANVOLET KİLİTLEMELERİ / Multipoint Lock	
2 Adet / Pcs	ASI-WH 002		SPANVOLET KİLİTLEMELERİ / Multipoint Lock Handle	
6 Adet / Pcs	ASI-SR 02		AYARLI ÇFTL RULMAN / Double Sliding Roller	
4 Takım / Set	SL28 KP		KENET KAPAĞI - ALTUJST / Interlock Profile Cap Top/Bottom	
12 Adet / Pcs	ASI-PR 1124		KO E P.ML BA LANTİ / Corner Joint Pin	
8 Adet / Pcs	ASI-PR 1126 ASIKT 1126		KO E TAKOZLU VEGA P.ML BA LANTİ / Corner Joint Pins or Pin	
24 Adet / Pcs	ASI-SB 19		KO E GÖNYES / Corner Alignment	

NO / Number	ADET / Unit	KOD / Code	PROFİL ÇİZİM / Drawing	PROFİL TANIMI / Description	KESİM ÖLÇÜSÜ / Cutting Dimensions
SL28 18	6	SL28 72		YATAY KANAT ADAPTÖR PROFİL / Horizontal Adapter Profile	SH - 129,4mm
SL28 18	6	SL28 72		DU EY KANAT ADAPTÖR PROFİL / Vertical Adapter Profile	SH - 129,4mm



#### CAM KESİM ÖLÇÜLERİ / GLASS CUTTING SIZES

KOD / Code	CAM / Glass	TANIMI / Description	KESİM ÖLÇÜSÜ / Cutting Dimensions
SL28 11	GW	CAM GENİRLİK / Sash Glass Width	GW = SW - 100 mm
SL28 13	GH	CAM YÜKSEKLİK / Sash Glass Height	GH = SH - 100 mm
SL28 16	GW	CAM GENİRLİK / Sash Glass Width	GW = SW - 138mm
SL28 17	GH	CAM YÜKSEKLİK / Sash Glass Height	GH = SH - 138mm