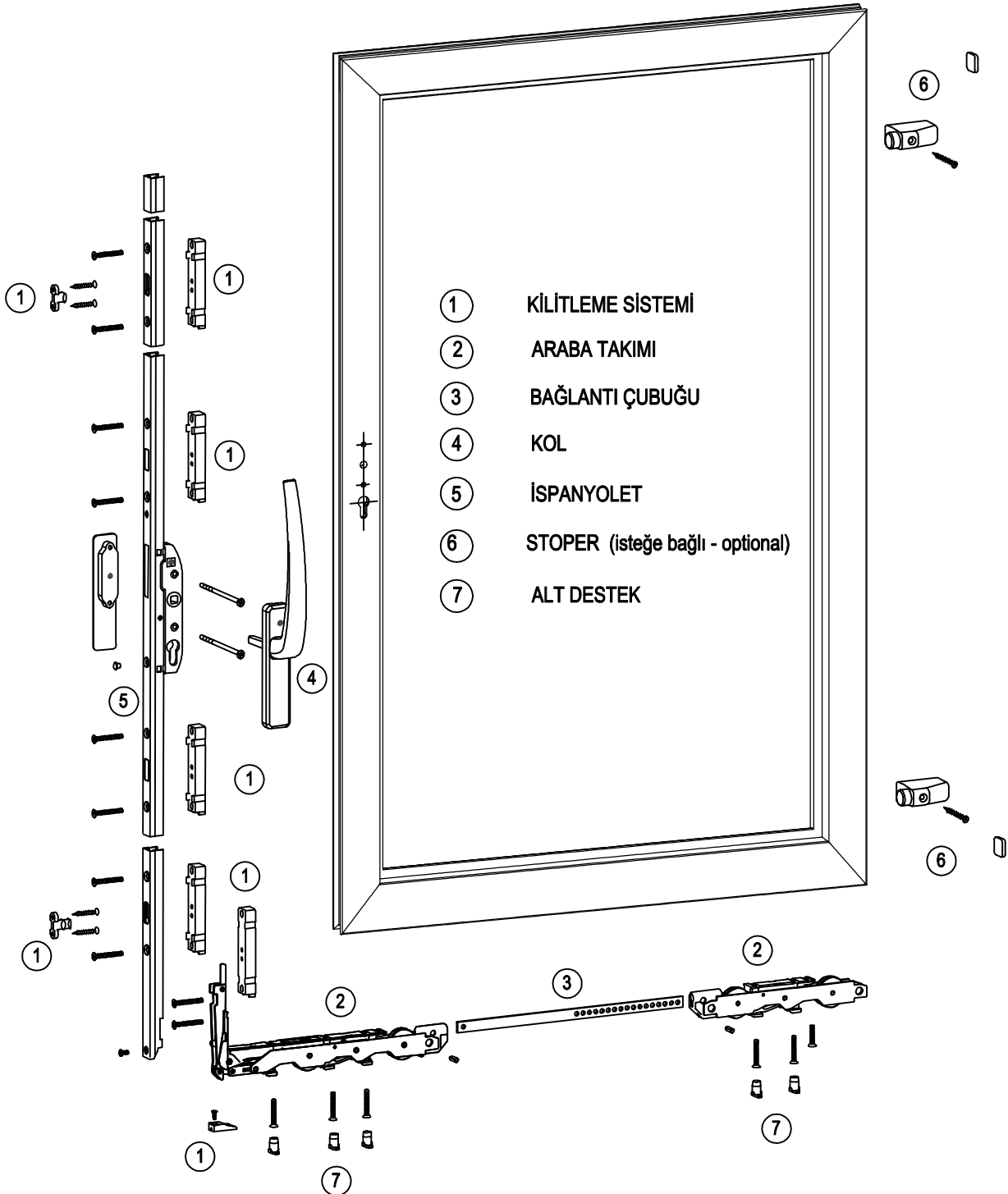


LS70 - 1,8mm

YALITIMLI KALDIR-SÜR S STEM
THERMAL LIFT&SLIDE SYSTEM

ASISTAL

KESİM VE MONTAJ ÇİZİMLERİ
CUTTING & ASSEMBLY DRAWINGS

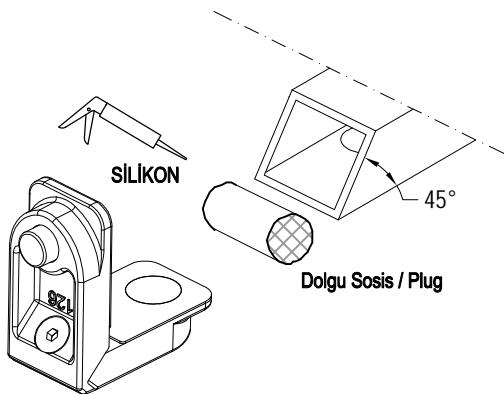
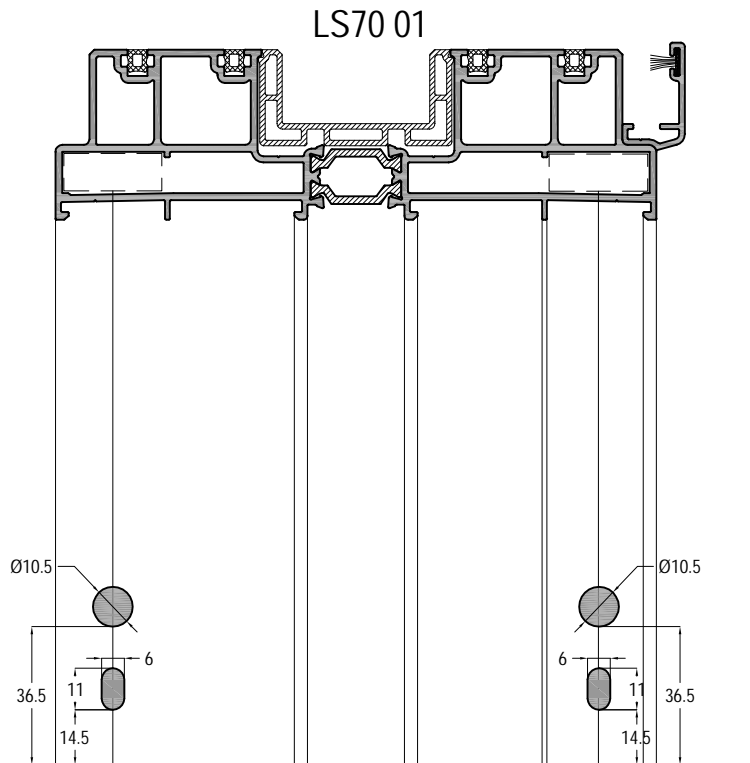
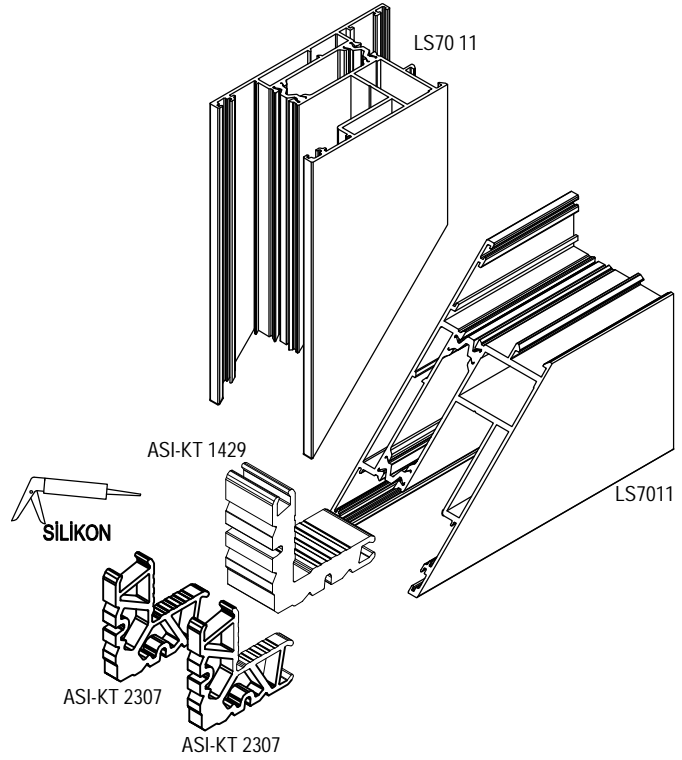
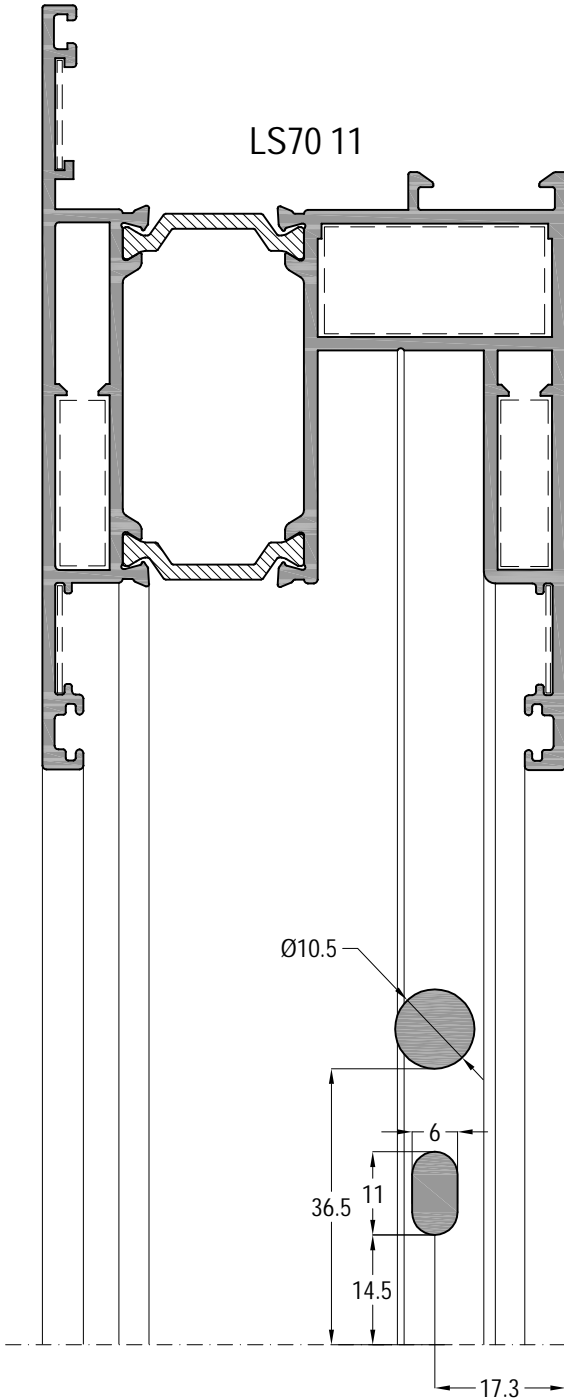
KALDIR-SÜR MEKANİZMASI MONTAJ ŞEMASI - LS60 MEK ve MEK2 İÇİN
LIFT & SLIDING MECHANISM INSTALLATION FOR LS60 MEK1 & MEK2

LS70 - 1,8mm

YALITIMLI KALDIR-SÜR S STEM
THERMAL LIFT&SLIDE SYSTEM

ASISTAL

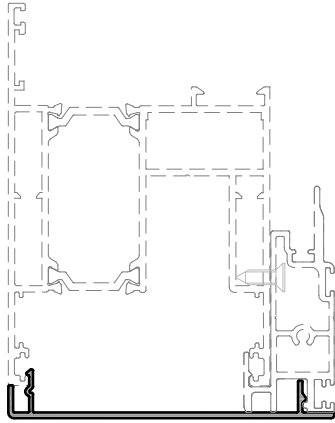
KANAT - KASA KÖŞE BAĞLANTI MONTAJI
ASSEMBLY FOR FRAME & SASH



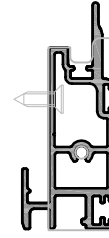
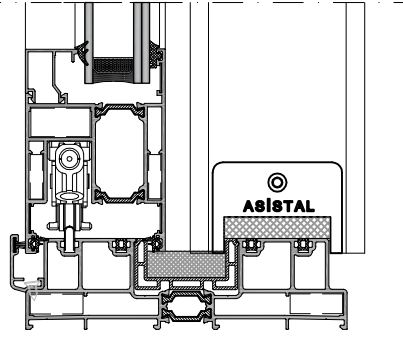
ASI-PB 1126



KENET BAĞLANTI MONTAJI ASSEMBLY FOR CENTRAL LOCKING



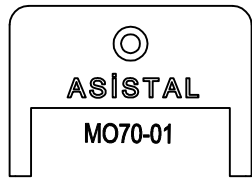
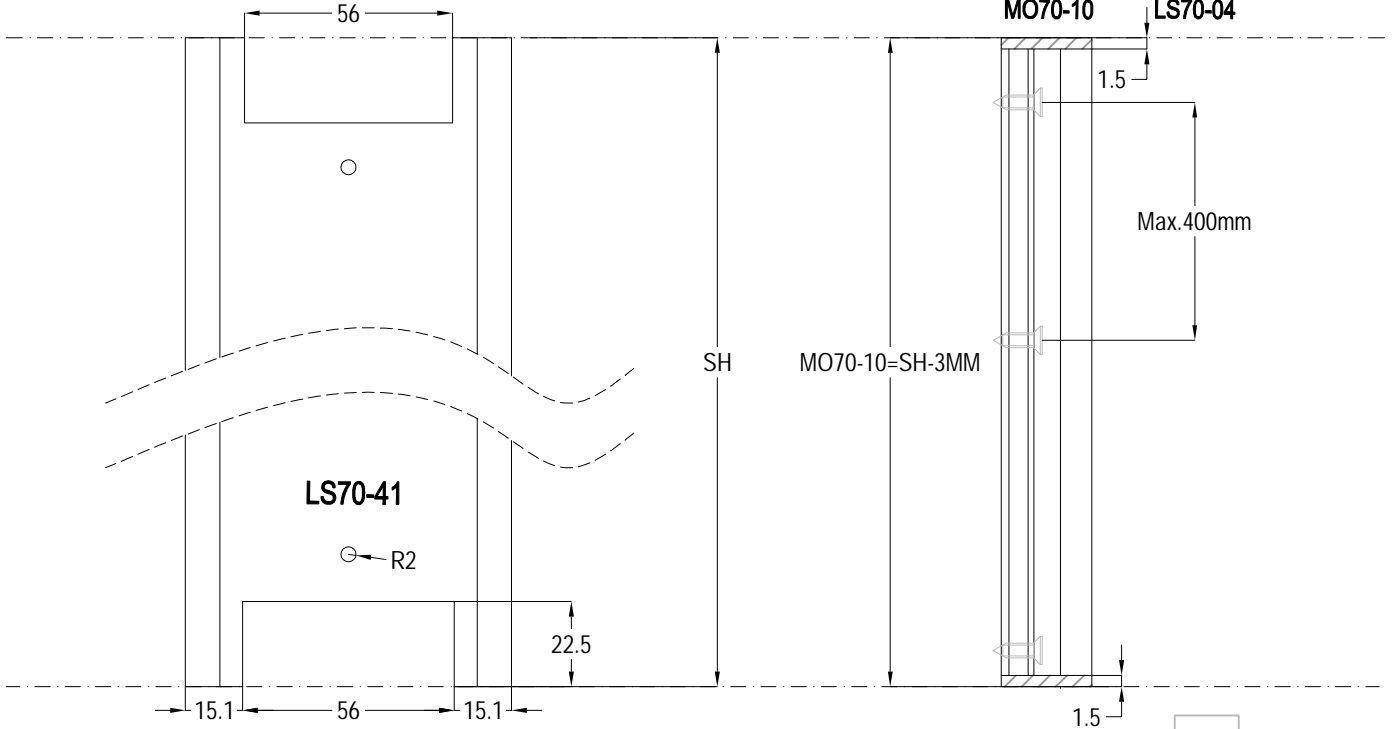
LS70-41



MO70-10



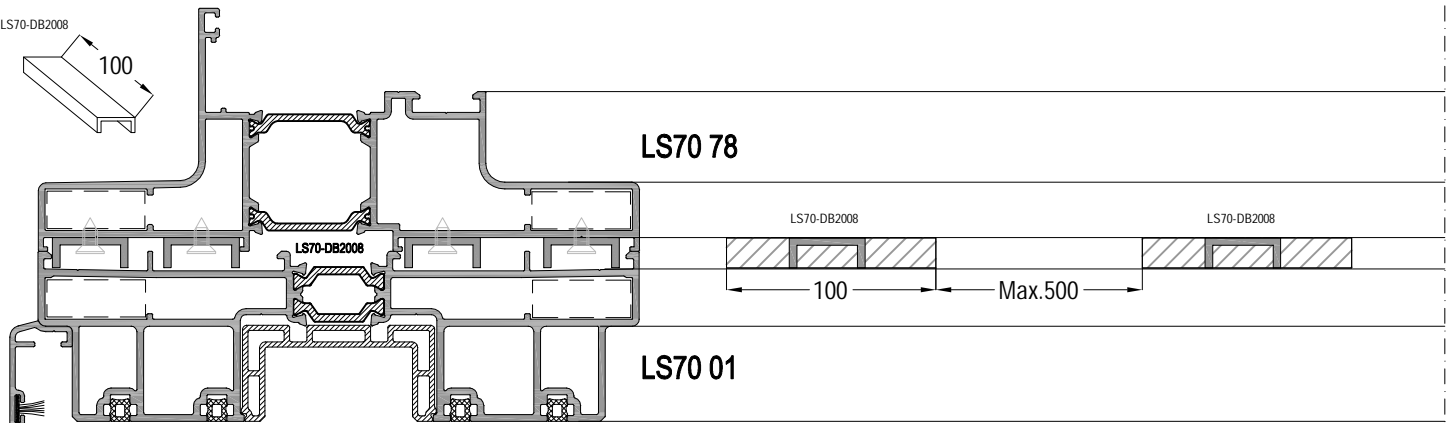
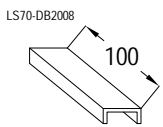
LS70-04



ASISTAL
MO70-01



LS70-05



LS70 78

LS70 01

LS70-DB2008

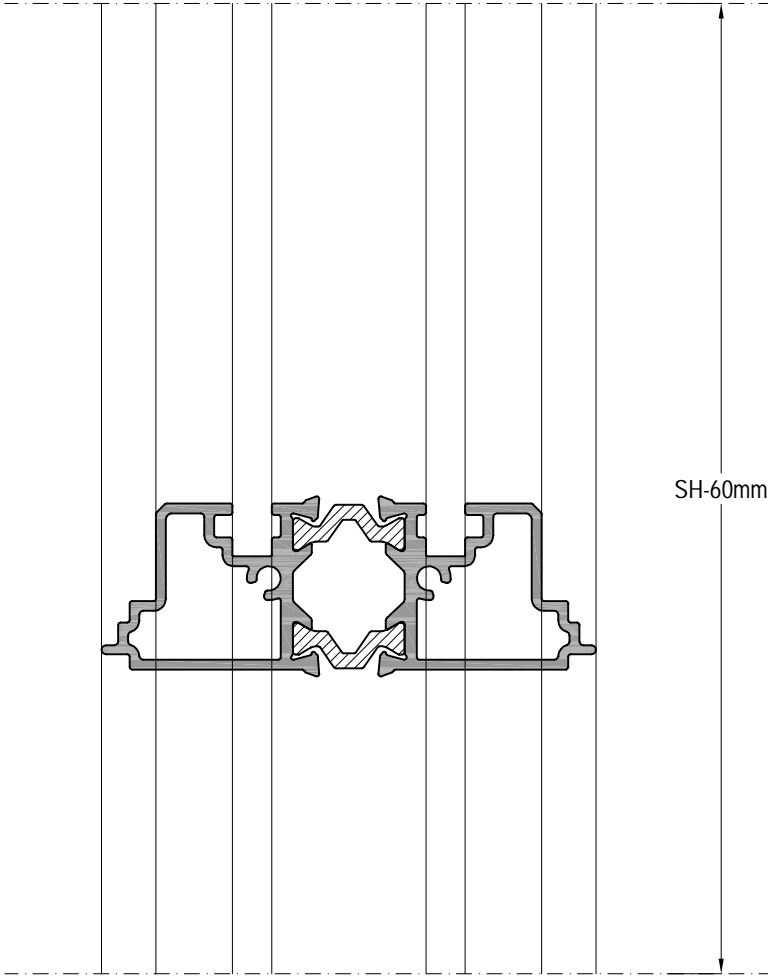
LS70-DB2008

LS70 - 1,8mm

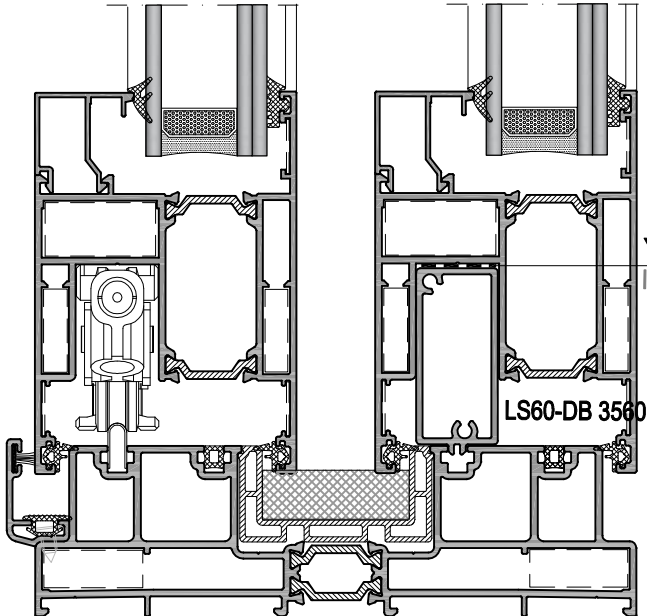
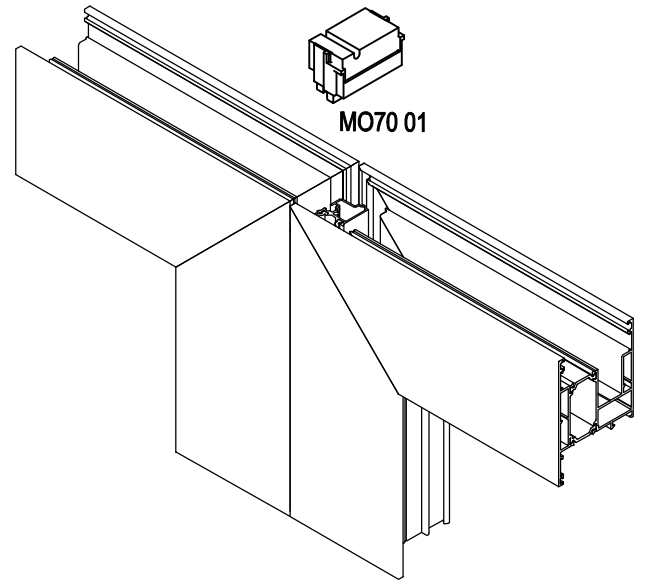
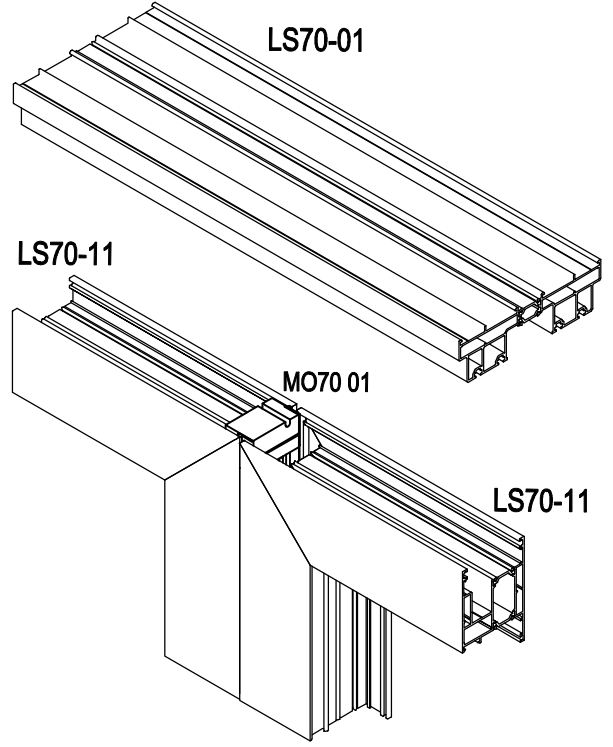
YALITIMLI KALDIR-SÜR S STEM
THERMAL LIFT&SLIDE SYSTEM



ORTA BİRLEŞİM DETAYI (LS70 42)
ASSEMBLY FOR CENTRAL LOCKING

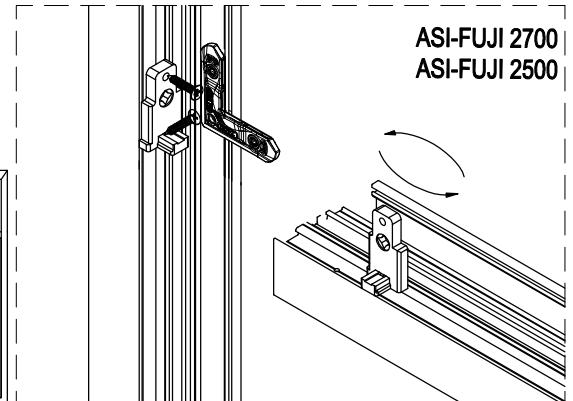
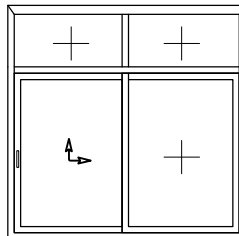


LS70 42



Yalıtım Bantı
Insulating Tape

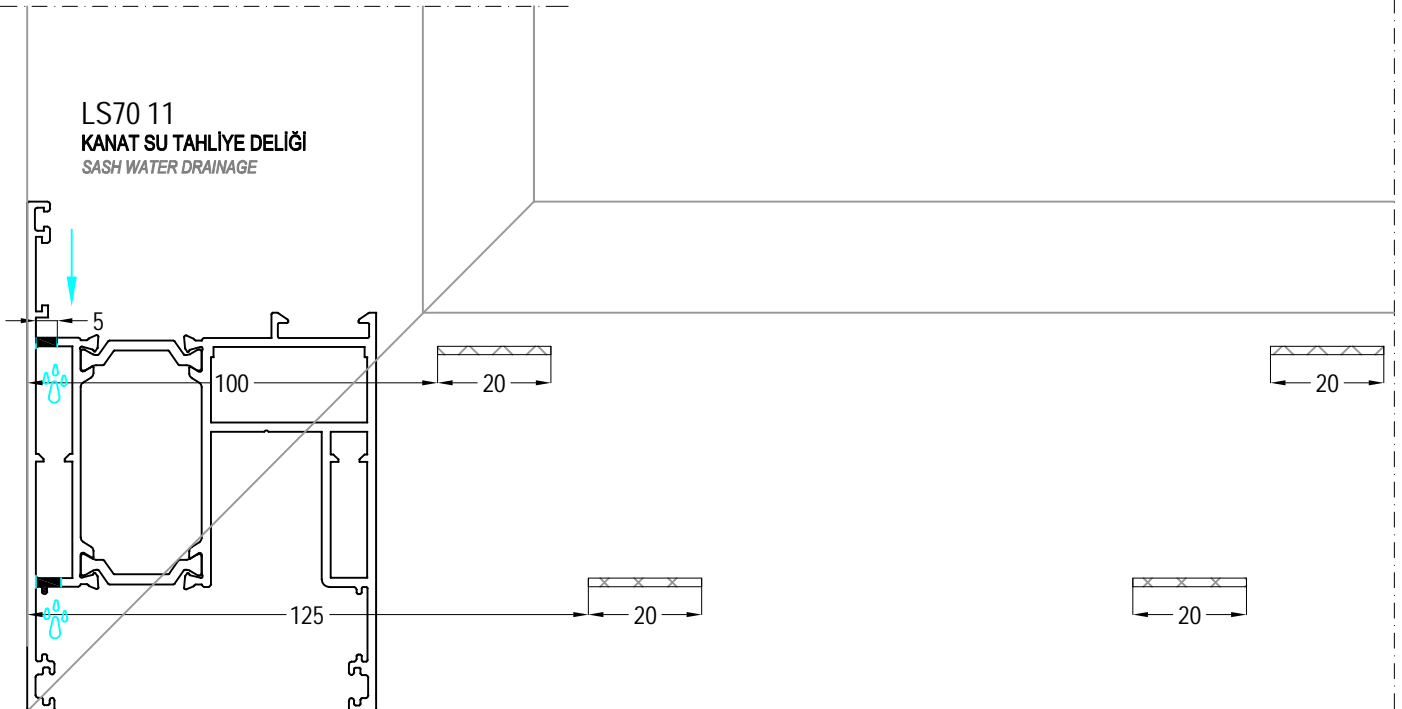
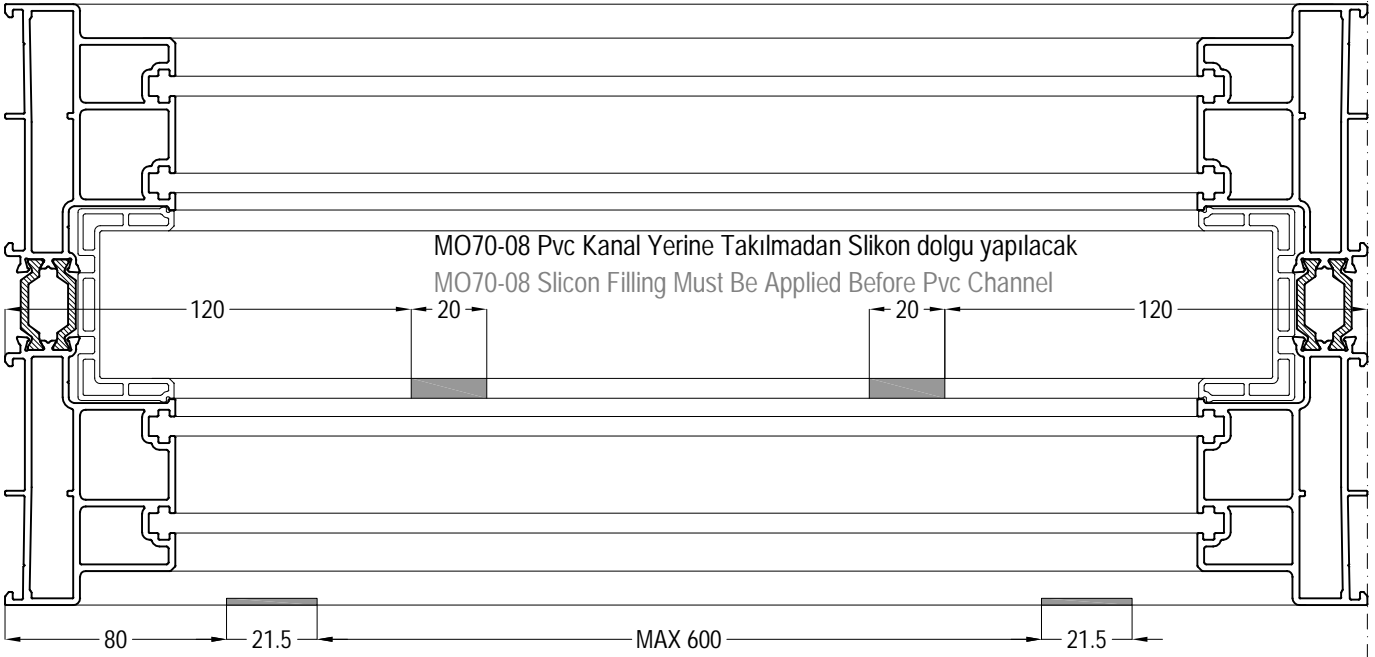
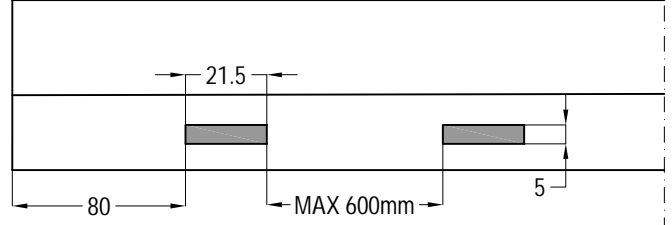
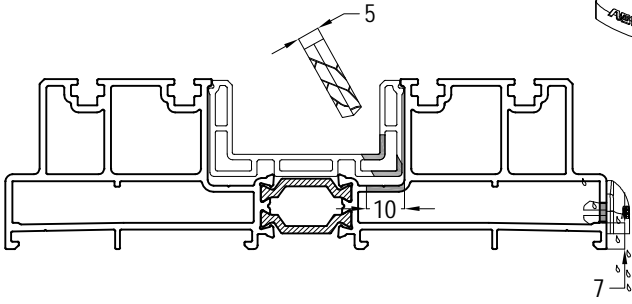
LS60-DB 3560



ASI-FUJI 2700
ASI-FUJI 2500

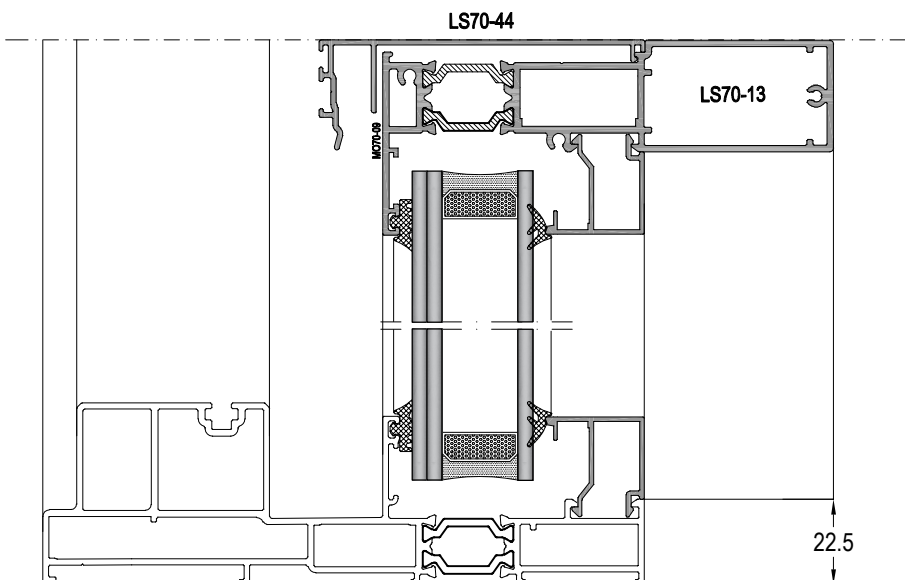
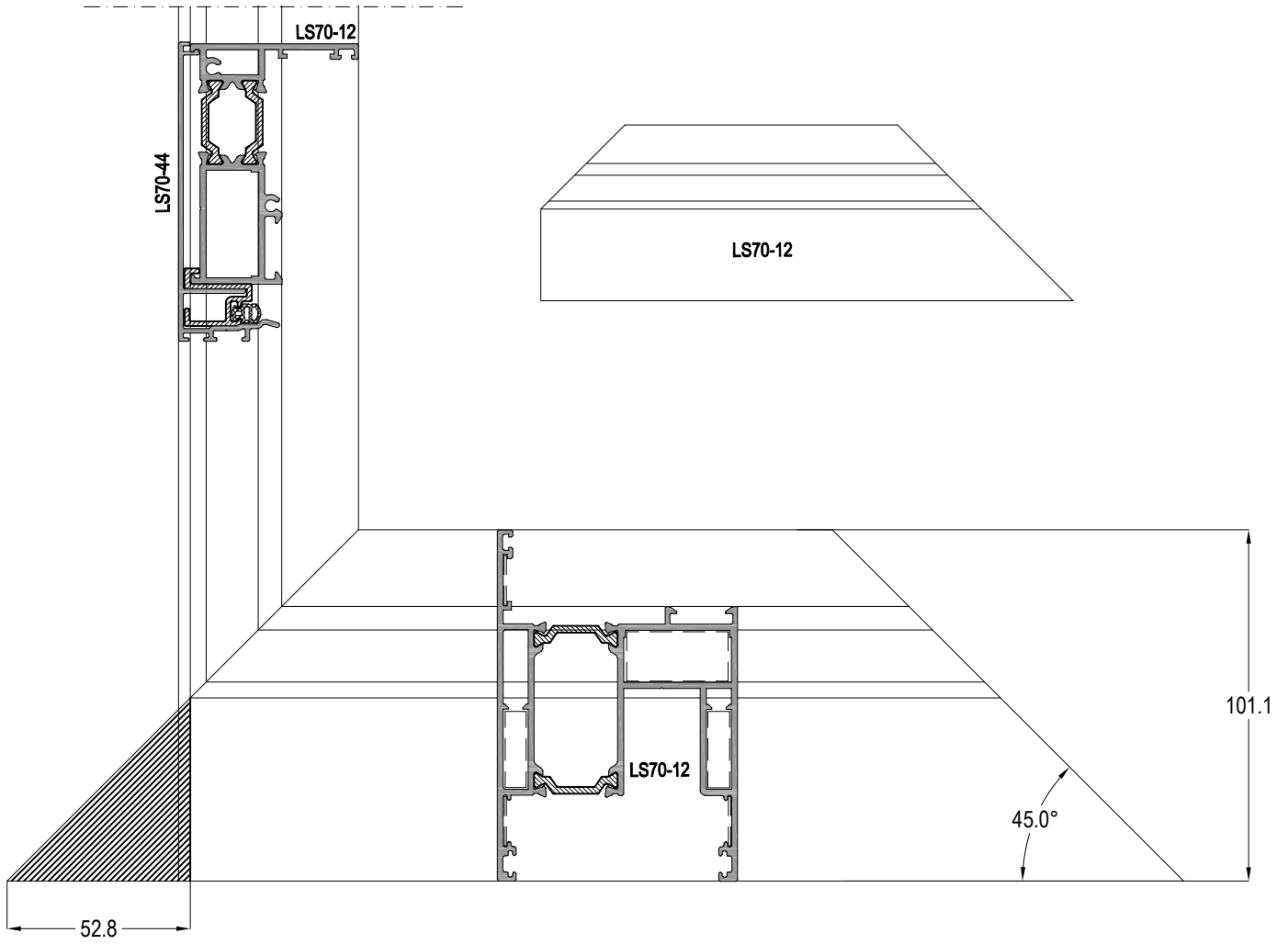
SU TAHLİYE DELİKLERİ
WATER DRAINAGE

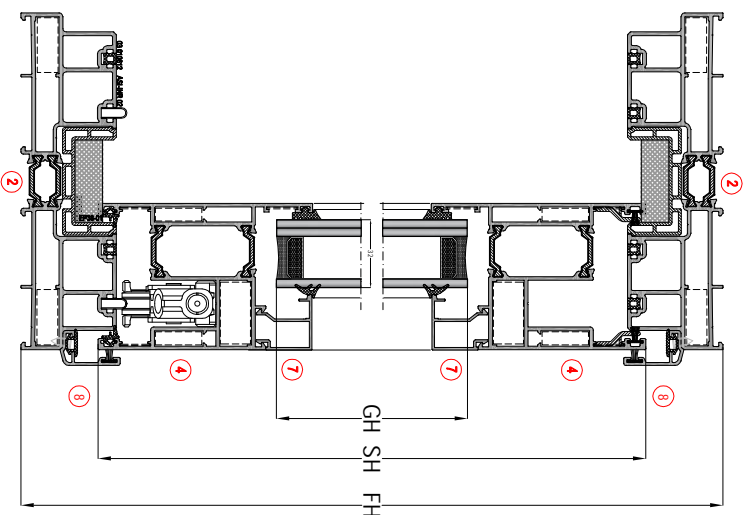
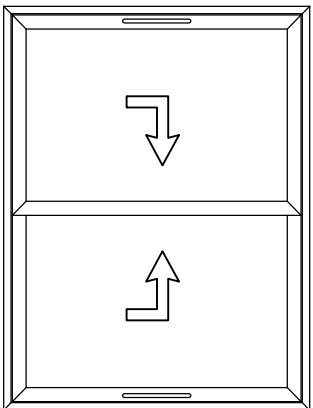
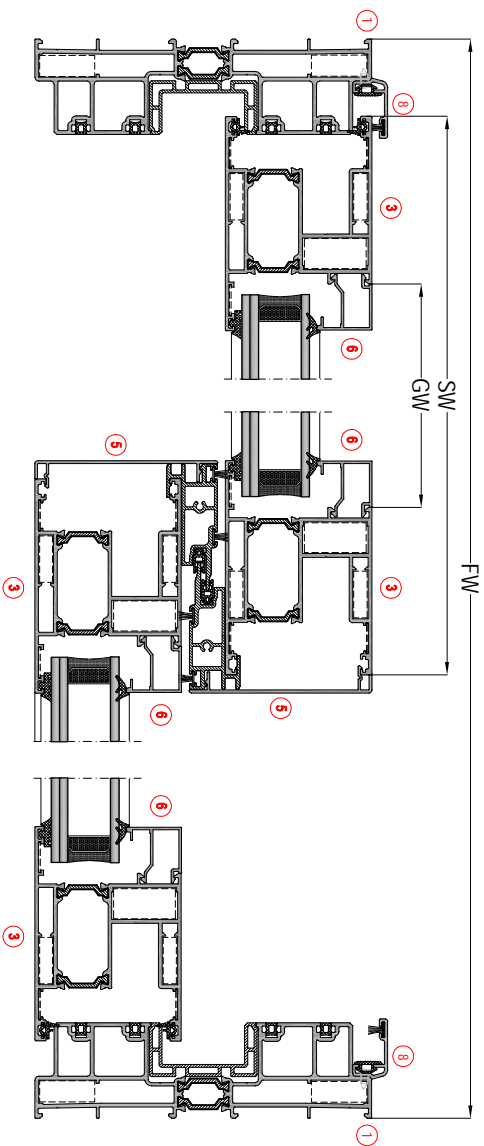
ASI-WDC 01



LS70 - 1,8mm

YALITIMLI KALDIR-SÜR SİSTEMİ
THERMAL LIFT&SLIDE SYSTEM





CAM KESİM ÖLÇÜLERİ / GLASS CUTTING SIZES	
KOD / Code	TANIMI / Description
GW	CAM GENİRLİK / Sash Glass Width
GH	CAM YÜKSEKLİK / Sash Glass Height

PROFİLLER / PROFILES

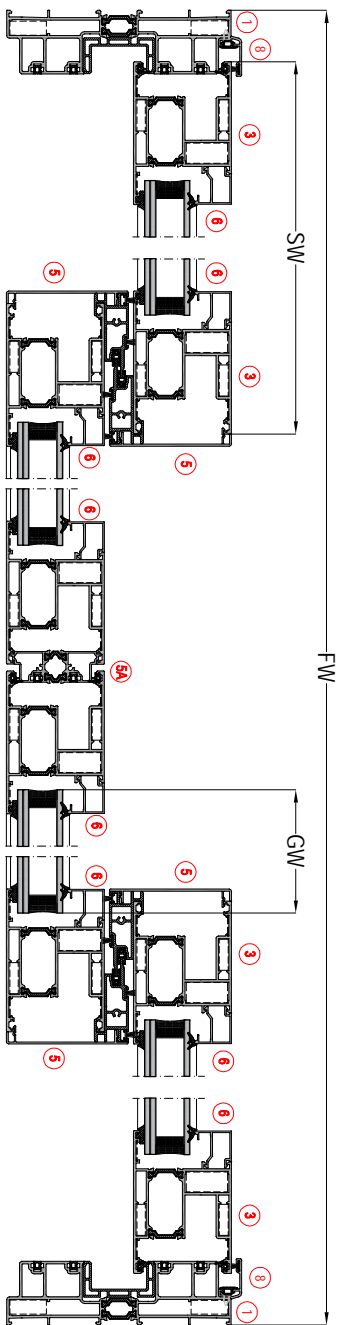
NO / Number	ADET / Unit	KOD / Code	PROFİL ÇİZİM / Drawing	PROFİL TANIMI / Description	KESİM ÖLÇÜSÜ / Cutting Dimensions
1	2	LS70-01		DU EYKASA PROFİL / Vertical Frame Profile	FH
2	2	LS70-01		YATAY KASA PROFİL / Horizontal Frame Profile	FV
3	4	LS70-11		DU EYKANAT PROFİL / Vertical Sash Profile	SH+FH+3mm
4	4	LS70-11		YATAY KANAT PROFİL / Horizontal Sash Profile	SH+FH+29+9.9mm
5	2	LS70-41		KENET PROFİL / Central Locking Profile	LS70-41-SH
6	4	11_026		DU EY CAM ÇITASI / Vertical Glazing Bead	G1-SH-200.2mm
7	4	11_026		YATAY CAM ÇITASI / Horizontal Glazing Bead	G2-SH-138.2mm
8	4	LS70-61		DAMLALIK PROFİL / Drip Profile	FV+19.0/FH+19.0
PVC	2	MO70-10		KENET PVC PROFİL / Central Locking PVC Profile	SH-3mm
PVC	2	MO70-08		YATAY KASKA KAVUL PVC / Horizontal PVC Channel Profile	FV-39.2mm
PVC	2	MO70-08		YATAY KASKA KAVUL PVC / Horizontal PVC Channel Profile	FH-39.2mm
Steel	2	ASLNR 02		ÇELİK RAY PROFİL / Steel Rail Profile	FV-76mm

FİTİLLER / GASKETS

MKTAR / Unit	KOD / Code	PROFİL ÇİZİM / Drawing	PROFİL TANIMI / Description	KESİM ÖLÇÜSÜ / Cutting Dimensions
MT	EP1-01		DI CAM FİTİL / Outer Glazing Gasket	4x(G1+G2)
MT	EP2-01		Çİ CAM FİTİL / Inner Glazing Gasket	4x(G1+G2)
MT	TR-FINX-70		KANAT ÜST FİTİL / Sash Top Gasket	4 x SW
MT	EP60-04		KENET FİTİL / Central Locking Gasket	2 x SH
MT	EP381-01		KANAT FİTİL / Sash Gasket	(4xSH)+(4xSW)
MT	EP 03 010612		KASA FİTİL / Frame Gasket	(8xFH) +(6x FV)
MT	KF 67-600		FİRÇA FİTİL / Brush Gasket- 6mm	(2x FH)+(2x FV)
MT	KF 67-700		FİRÇA FİTİL / Brush Gasket- 7mm	4 x SH

AKSESUARLAR / ACCESSORIES

4 Adet / Pcs	MO70-01		KENET KAPAĞI / Interlock Profile Cap	
2 Adet / Pcs	MO70-03		MO70-10 ALTI KAPAK PROFİL / Bottom Cover Profile	
2 Adet / Pcs	MO70-04		MO70-10 ÜST KAPAK PROFİL / Top Cover Profile	
2 Adet / Pcs	EP70-05		ALT ÜST HAMA KESİM / Central Sealing - Bottom-Top	
8 Adet / Pcs	MO70-13		KANAT DENGELERME PLASTİK / Sash Stabilization Spacer	
16 Adet / Pcs	AS-ISB 19.1		KO E GÖNYESİ / Corner Alignment	
8 Adet / Pcs	AS-İPB 1126		KO E TAKOZU veya P.ML BA. LANTİ / Corner Joint Press or Pin	
8 Adet / Pcs	AS-İKT 1429		KO E TAKOZU / Pres Corner Joint	
16 Adet / Pcs	AS-İKT 2307		KO E TAKOZU / Pres Corner Joint	
2 Tıkım / Set	LS04MEK1		KALDIRICI MEKANİZMASI / Lift&Slide Mechanism	



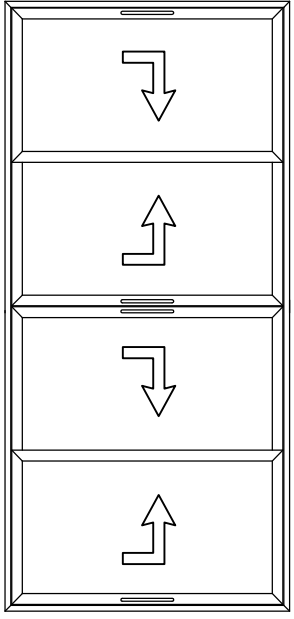
PROFİLLER / PROFILES					
SIRA NO / Number	ADET / Unit	KOD / Code	PROF. L Ç Z M / Drawing	PROF. L TANIMI / Description	KES M ÖLÇÜSÜ / Cutting Dimensions
1	2	LS70 01		DU EY KASA PROF. L / Vertical Frame Profile	FH
2	2	LS70 01		YATAY KASA PROF. L / Horizontal Frame Profile	FW
3	8	LS70 11		DU EY KANAT PROF. L / Vertical Sash Profile	SH+FH+23mm
4	8	LS70 11		YATAY KANAT PROF. L / Horizontal Sash Profile	SW+FW+27mm
5A	1	LS70-42		ADAPTOR PROF. L / Adapter Profile	LS60 41-SH+60mm
5	4	LS70 41		KENET PROF. L / Central Locking Profile	LS70 41-SH
6	8	11_026		DU EY CAM ÇITASI / Vertical Glazing Bead	G1-SH-2020mm
7	8	11_026		YATAY CAM ÇITASI / Horizontal Glazing Bead	G2-SW-1580mm
8	4	LS70 61		DAMALIK PROF. L / Drip profile	FW-19,6/ FH-19,6
PVC	4	MO70-10		KENET PVC PROF. L / Central Locking PVC Profile	SH-3mm
PVC	2	MO70-08		YATAY KASA KANAL PVC / Horizontal PVC Channel	FW-19
PVC	2	MO70-08		DU EY KASA KAVVAL PVC / Vertical PVC Channel Profile	FH-19
Steel	2	ASLNR 02		ÇELİK RAY PROF. L / Steel Rail Profile	FW-7mm

FTLLER / GASKETS

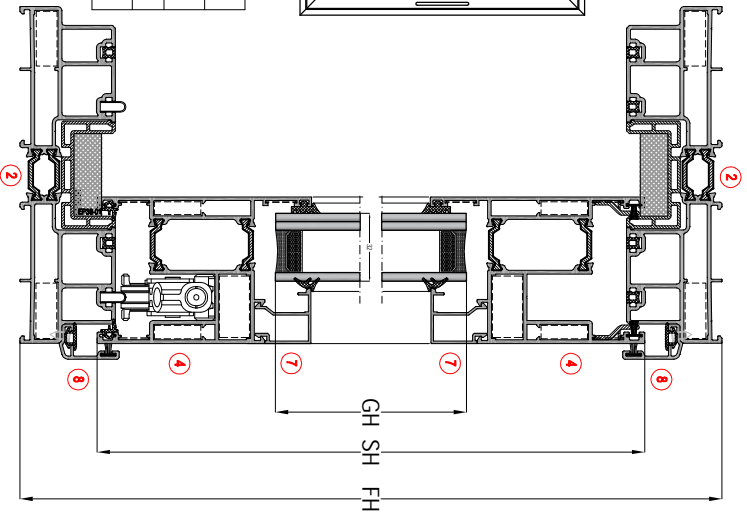
MKTAR / Unit	KOD / Code	PROF. L Ç Z M / Drawing	PROF. L TANIMI / Description	KES M ÖLÇÜSÜ / Cutting Dimensions
MT	EP1-01		DI CAM F.T.L. / Outer Glazing Gasket	8K(G1+G2)
MT	EP2-01		Ç CAM F.T.L. / Inner Glazing Gasket	8K(G1+G2)
MT	TRH-FH-700		KANAT ÜST F.T.L. / Sash Top Gasket	8 x SW
MT	EP60-04		KENET F.T.L. / Central Locking Gasket	4 x SH
MT	EP38T-01		KANAT F.T.L. / Sash Gasket	(6xSH)+(6xSW)
MT	EP 03 010612		KASA F.T.L. / Frame Gasket	(6xFH)+(6x FW)
MT	KF 67-600		FIRÇA F.T.L. / Brush Gasket - 6mm	(2xFH)+(2xFW)
MT	KF 67-700		FIRÇA F.T.L. / Brush Gasket - 7mm	8xSH

AKSESUARLAR / ACCESSORIES

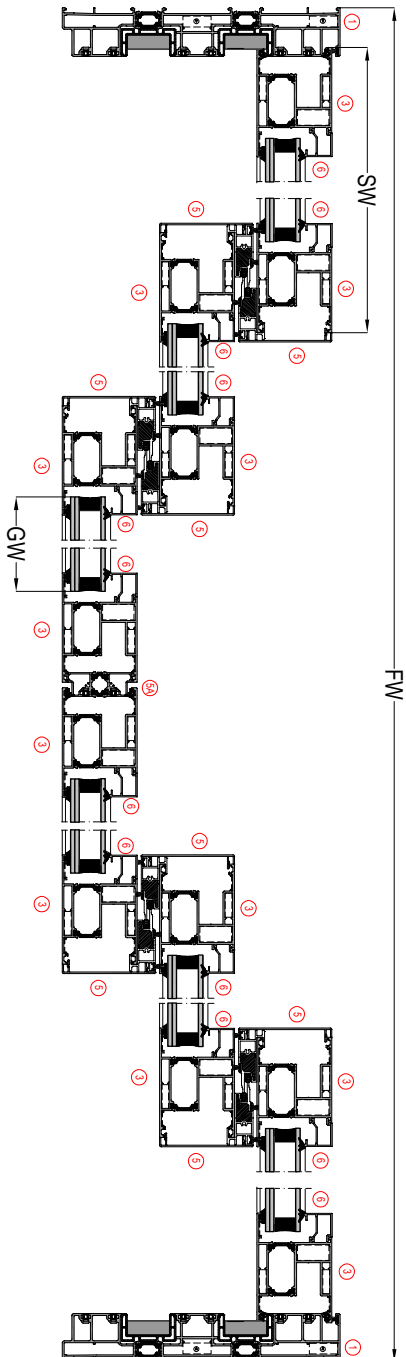
8 Adet / Pcs	MO70-01		KENET KAPA I / Interlock Profile Cap	
4 Adet / Pcs	MO70-03		MO70-10-ALT KAPAK PROF. L / Bottom Cover Profile	
4 Adet / Pcs	MO70-04		MO70-10-UST KAPAK PROF. L / Top Cover Profile	
6 Adet / Pcs	EP70-06		ALT-ÜST HAVA KES C / Central Sealing - Bottom-Top	
16 Adet / Pcs	MO70-13		KANAT DENGELEME PLAST / Sash Stabilization Spacer	
48 Adet / Pcs	AS1-SB 19.1		KO E GÖNYES / Corner Alignment	
8 Adet / Pcs	AS1-PB 1126		KO E TAKOZU veya F.M. BA. LANTI / Corner Joint Pcs or Pn	
16 Adet / Pcs	AS1-KT 1429		KO E TAKOZU / Pcs Corner Joint	
32 Adet / Pcs	AS1-KT 2307		KO E TAKOZU / Pcs Corner Joint	
1 Takım / Set	LS60-MEK1		KALDIR-SUR MEKAN ZIVASI / Lift&Slide Mechanism	
2 Takım / Set	LS60-MEK1D		KALDIR-SUR MEKAN ZIVASI / Lift&Slide Mechanism	
2 Adet / Pcs	MO70-12		ADAPTOR KAPA I / Adapter Cover	



CAM KES M ÖLÇÜLER / GLASS CUTTING SIZES		
KOD / Code	TANIMI / Description	KES M ÖLÇÜSÜ / Cutting Dimensions
GW	CAM GEN. L.K. / Sash Glass Width	GW=SW-170,4mm
GH	CAM YÜKSEKLİK / Sash Glass Height	GH=SH-170,4mm



6 LI KANAT KESİM ÖLÇÜLERİ 6 SLIDING SASHES CUTTING SIZE



PROFİLLER / PROFILES

SIRA NO / Number	ADET / Ünit	KOD / Code	PROFİL ÇİZİMİ / Drawing	PROFİL TANIMI / Description	KESİM ÖLÇÜSÜ / Cutting Dimensions
1	2	LS70 05		DÜŞEY KASA PROFİLİ / Vertical Frame Profile	FH
2	2	LS70 05		YATAY KASA PROFİLİ / Horizontal Frame Profile	FW
3	12	LS70 11		DÜŞEY KANAT PROFİLİ / Vertical Sash Profile	SH=FH+23mm
4	12	LS70 11		YATAY KANAT PROFİLİ / Horizontal Frame Profile	GW=FW+48mm
5A	1	LS70-42		ADAPTOR PROFİLİ / Adapter Profile	LS60-41-SH-60mm
5	4	LS70 41		KENET PROFİLİ / Central Locking Profile	LS70 41-SH
6	12	11_026		DÜŞEY CAM ÇITASI / Vertical Glazing Bead	G1=SH-202mm
7	12	11_026		YATAY CAM ÇITASI / Horizontal Glazing Bead	G2=SW-158mm
PVC	8	MO70-10		KENET PVC PROFİLİ / Central Locking PVC Profile	SH-3mm
PVC	4	MO70-08		YATAY KASA KANAL PVC/Horizontal PVC Channel Profile	FW-19
PVC	4	MO70-08		DÜŞEY KASA KANAL PVC/Vertical PVC Channel Profile	FH-19
Steel	3	ASH-1NR 02		ÇELİK RAY PROFİLİ / Steel Rail Profile	FW-76mm

FİTİLLER / GASKETS

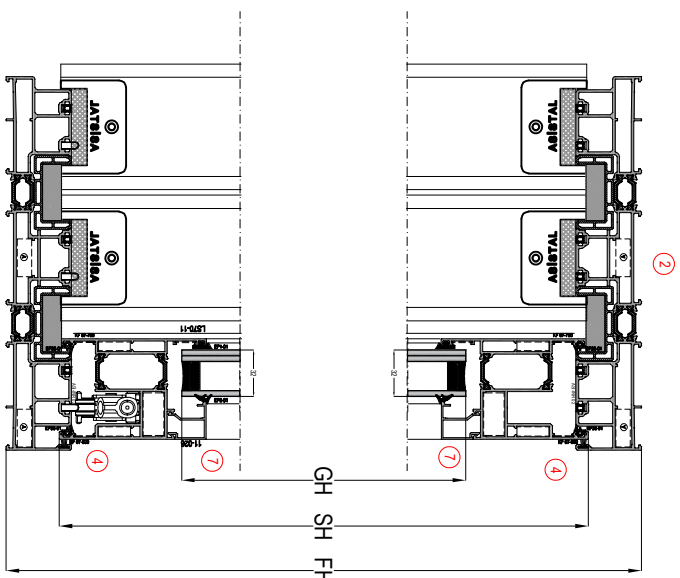
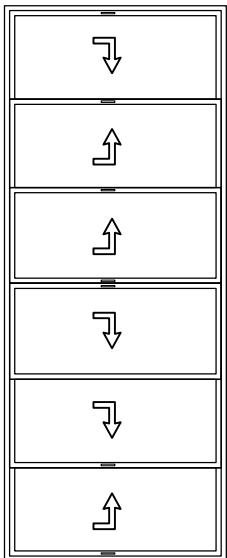
MİKTAR / Ünit	KOD / Code	PROFİL ÇİZİMİ / Drawing	PROFİL TANIMI / Description	KESİM ÖLÇÜSÜ / Cutting Dimensions
MT	EP1-01		DİŞ CAM FİTİLİ / Outer Glazing Gasket	12x(G1+G2)
MT	EP2-01		İÇ CAM FİTİLİ / Inner Glazing Gasket	12x(G1+G2)
MT	TR-FIN-700		KANAT ÜST FİTİLİ / Sash Top Gasket	12 x SW
MT	EP60-04		KENET FİTİLİ / Central Locking Gasket	8 x SH
MT	EP98T-01		KANAT FİTİLİ / Sash Gasket	(10xSH)+ (12xSW)
MT	EP70-02		KASA FİTİLİ / Frame Gasket	(12xFH) + (10x FW)
MT	KF 67-600		FRİÇA FİTİLİ / Brush Gasket - 6mm	(2xFH)+ (2xFW)
MT	KF 67-700		FRİÇA FİTİLİ / Brush Gasket - 7mm	12xSH

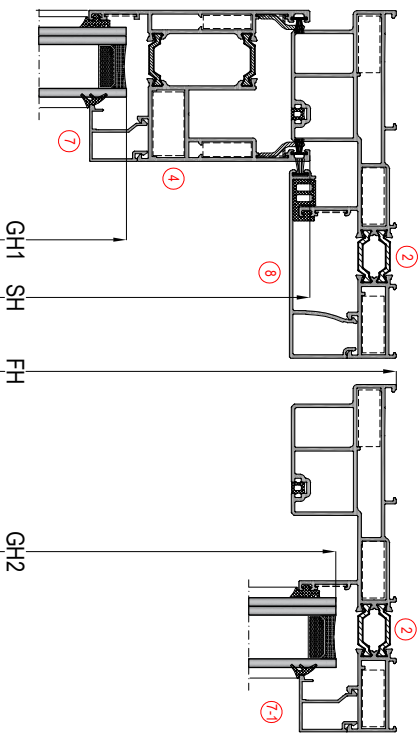
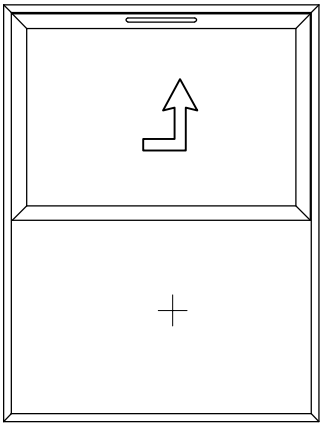
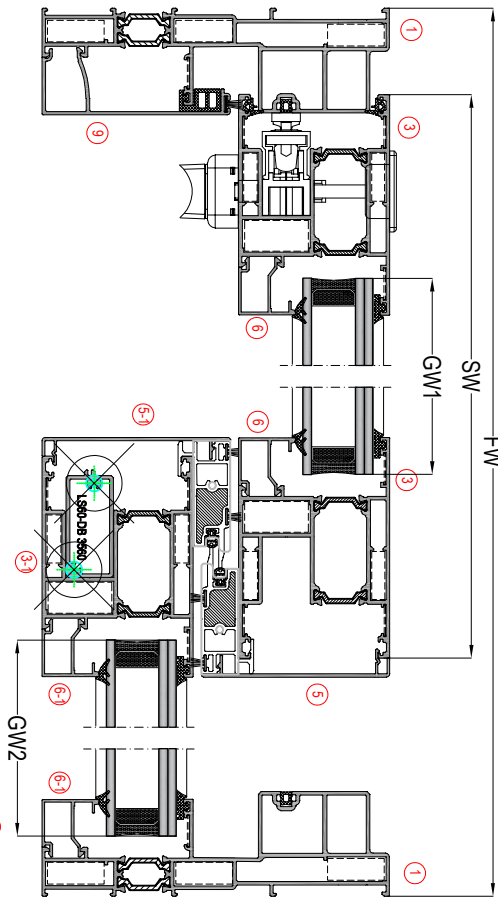
AKSESUARLAR / ACCESSORIES

ADET / Pcs	MOT70-01	KENET KAPAĞI / Interlock Profile Cap
8 Adet / Pcs	MOT70-03	MOT70-10 ALT KAPAK PROFİLİ / Bottom Cover Profile
8 Adet / Pcs	MOT70-04	MOT70-10 ÜST KAPAK PROFİLİ / Top Cover Profile
8 Adet / Pcs	EP70-05	ALT-ÜST HAVA KEŞİCİ / Central Sealing - Bottom-Top
24 Adet / Pcs	MOT70-13	KANAT DENGELEME PLASTİĞİ / Sash Stabilization Spacer
72 Adet / Pcs	AS1-SB 19-1	KÖŞE GÖVYESİ / Corner Alignment
12 Adet / Pcs	AS1PB 1126 AS1KT 1126	KÖŞE TAKOZU veya PİVALİ BAĞLANTI / Corner Joint Pcs or Pin
24 Adet / Pcs	AS1KT 1429	KÖŞE TAKOZU / Pres Corner Joint
48 Adet / Pcs	AS1KT 2307	KÖŞE TAKOZU / Pres Corner Joint
4 Takım / Set	LS60-MEK1	KALDIRIŞUR MEKANİZMASI / Lift&Slide Mechanism
1 Takım / Set	LS60-MEK1D	KALDIRIŞUR MEKANİZMASI / Lift&Slide Mechanism
2 Adet / Pcs	MOT70-12	ADAPTOR KAPAĞI / Adapter Cover

CAM KESİM ÖLÇÜLERİ / GLASS CUTTING SIZES

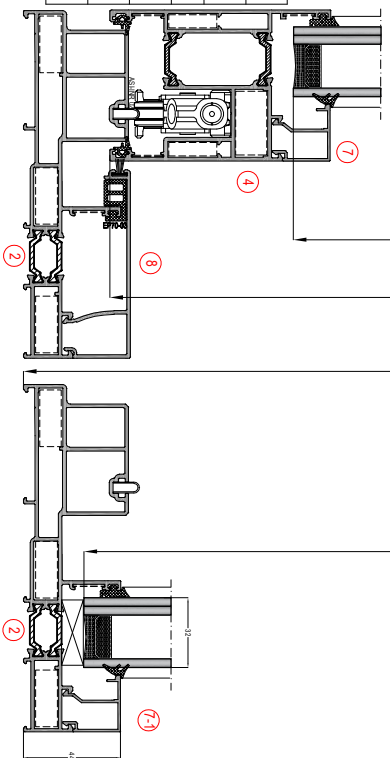
KOD / Code	TANIMI / Description	KESİM ÖLÇÜSÜ / Cutting Dimensions
GW	CAM GENİŞLİK / Sash Glass Width	GW=SW-170,4mm
GH	CAM YÜKSEKLİK / Sash Glass Height	GH=SH-170,4mm





CAM KESİM ÖLÇÜLERİ / GLASS CUTTING SIZES

KOD / Code	TANIMI / Description	KESİM ÖLÇÜSÜ / Cutting Dimensions
GW1	KANAT CAM GENİŞLİK / Sash Glass Width	GW=SW-170,4mm
GH1	KANAT CAM YÜKSEKLİK / Sash Glass Height	GH=SH-170,4mm
GW2	SABİT CAM GENİŞLİK / Fixed Glass Width	GW1=GW2
GH2	SABİT CAM YÜKSEKLİK / Fixed Glass Height	FH=55mm



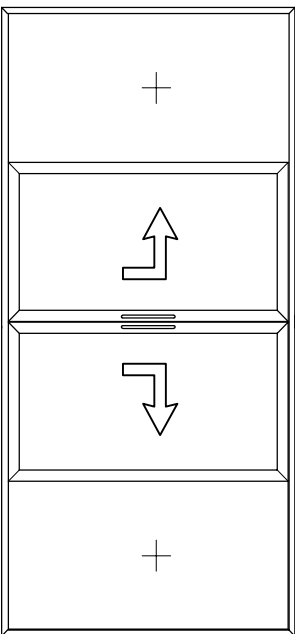
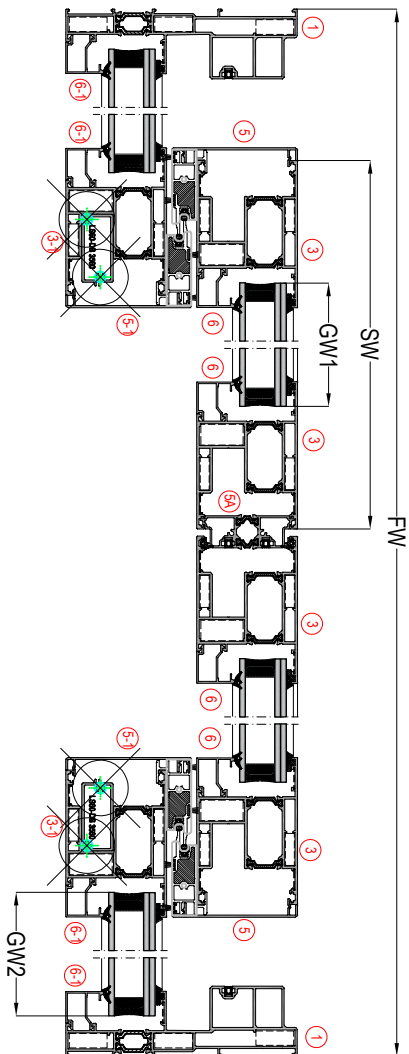
PROFİLLER / PROFILES

NO / Number	ADET / Unit	KOD / Code	PROFİL ÇİZİMİ / Drawing	PROFİL TANIMI / Description	KESİM ÖLÇÜSÜ / Cutting Dimensions
1	2	LS70 08		DÜŞEY KASA PROFİLİ / Vertical Frame Profile	FH
2	2	LS70 08		YATAY KASA PROFİLİ / Horizontal Frame Profile	FW
3	2	LS70 11		DÜŞEY KANAT PROFİLİ / Vertical Sash Profile	SH=EH-92,2mm
3-1	1	LS70 11		DÜŞEY SABİT KANAT PROFİLİ / Vertical Fixed Sash Profile	SH=EH-45mm
4	2	LS70 11		YATAY KANAT PROFİLİ / Horizontal Frame Profile	2x(FW2)+54,8mm
5	1	LS70 41		KENET PROFİLİ / Central Locking Profile	LS70 41=SH
5-1	1	LS70 41		ORTAKAĞIT KENET PROFİLİ / Tarama Central Locking Profile	LS70 41=EH-45
6	2	11_026		DÜŞEY CAM ÇİTASI / Vertical Glazing Bead	G1=SH-200,2mm
6-1	1	11_026		SABİT DÜŞEY CAM ÇİTASI / Fix Vertical Glazing Bead	G1=EH-98,6mm
7	2	11_026		YATAY CAM ÇİTASI / Horizontal Glazing Bead	G2=SW-158,2mm
7-1	2	11_026		SABİT YATAY CAM ÇİTASI / Horizontal Glazing Bead	G2=FW2-103,6mm
8	2	LS70 40		ÜST ALT KAPAK PROFİLİ / Top Bottom Cover Profile	G3=FW2-28,3mm
9	1	LS70 40		DÜŞEY KAPAK PROFİLİ / Vertical Cover Profile	G2=EH-98mm
PVC	1	MOT0-10		KENET PVC PROFİLİ / Central Locking PVC Profile	SH=3mm
PVC	1	MOT0-10		SABİT KENET PVC PROFİLİ / Central Locking PVC Profile	SH=EH-45mm
Stel	1	ASHNR 02		ÇELİK RAY PROFİLİ / Steel Rail Profile	FW=32mm

FİTİLLER / GASKETS

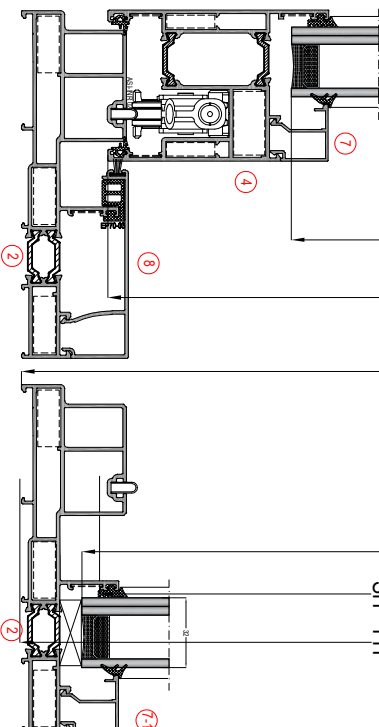
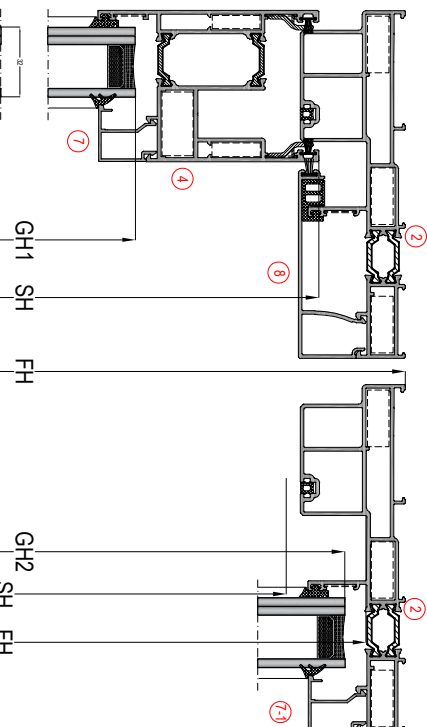
MİKTAR / Unit	KOD / Code	PROFİL ÇİZİMİ / Drawing	PROFİL TANIMI / Description	KESİM ÖLÇÜSÜ / Cutting Dimensions
MT	EP1-01		DİŞ CAM FİTİLİ / Outer Glazing Gasket	4x(G1+G2)
MT	EP2-01		İÇ CAM FİTİLİ / Inner Glazing Gasket	4x(G1+G2)
MT	TR-FHN-700		KANAT ÜST FİTİLİ / Sash Top Gasket	2 x SW
MT	EP80-04		KENET FİTİLİ / Central Locking Gasket	2 x SH
MT	EP38T-01		KANAT FİTİLİ / Sash Gasket	(2xSH)+(2xSW)
MT	EP70-02 / EP38-02		KASA FİTİLİ / Frame Gasket	(2xFH) + (1x FW)
MT	EP70-03		SABİT ÇİTA FİTİLİ / Fixed Frame Gasket	EP70-03=LS70 40
MT	KF 67-600		FRİÇA FİTİLİ / Brush Gasket - 6mm	(2xFH)+(2xFW)
MT	KF 67-700		FRİÇA FİTİLİ / Brush Gasket - 7mm	EP70-03=LS70 40
MT	LS60-DB 3560		ÇEKİRTEME BAĞLANTI / T Connectors	
2 Adet / Pcs	MOT0-01		KENET KAPAĞI / Interlock Profile Cap	
2 Adet / Pcs	MOT0-03		MOT0-10 ALT KAPAK PROFİLİ / Bottom Cover Profile	
2 Adet / Pcs	MOT0-04		MOT0-10 ÜST KAPAK PROFİLİ / Top Cover Profile	
2 Adet / Pcs	MO60-050		ALT ÜST HAVALA KESİCİ / Central Sealing - Bottom-Top	
4 Adet / Pcs	MO70-13		KANAT DENGELEME PLASTİĞİ / Sash Stabilization Spacer	
12 Adet / Pcs	ASI-SB 19,1		KÖŞE GÖNYESİ / Corner Alignment	
12 Adet / Pcs	ASI-PB 1126		KÖŞE TAKOZU veya PİMLİ BAĞLANTI / Corner Joint Pcs or Pim	
4 Adet / Pcs	ASI-KT 1429		KÖŞE TAKOZU / Pcs Corner Joint	
8 Adet / Pcs	ASI-KT 2307		KÖŞE TAKOZU / Pcs Corner Joint	
1 Takım / Set	LS60MEK1		KALDIR-SÜR MEKANİZMASI / LiftsSlide Mechanism	

MONORAIL KESİM ÖLÇÜLERİ MONORAIL SYSTEM SASHES CUTTING SIZE



CAM KESİM ÖLÇÜLERİ / GLASS CUTTING SIZES

KOD / Code	TANIMI / Description	KESİM ÖLÇÜSÜ / Cutting Dimensions
GW1	KANAT CAM GENİŞLİK / Sash Glass Width	GW=SW-170.4mm
GH1	KANAT CAM YÜKSEKLİK / Sash Glass Height	GH=SH-170.4mm
GW2	SABİT CAM GENİŞLİK / Fixed Glass Width	GW1=GW2
GH2	SABİT CAM YÜKSEKLİK / Fixed Glass Height	FH=55mm



PROFİLLER / PROFILES

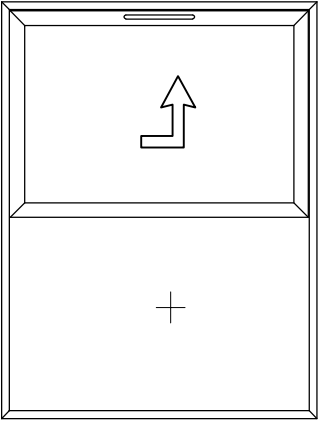
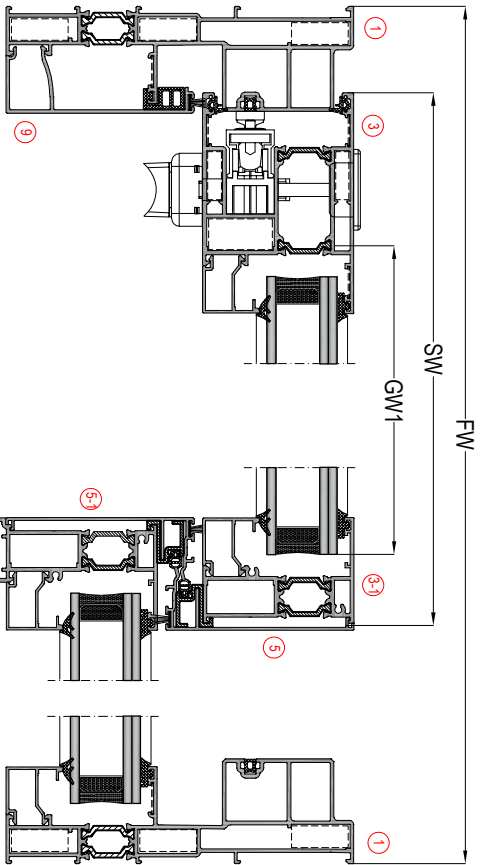
SİRA NO / Number	ADET / Unit	KOD / Code	PROFİL ÇİZİMİ / Drawing	PROFİL TANIMI / Description	KESİM ÖLÇÜSÜ / Cutting Dimensions
1	2	LS70 08		DÜŞEY KASA PROFİLİ / Vertical Frame Profile	FH
2	2	LS70 08		YATAY KASA PROFİLİ / Horizontal Frame Profile	FW
3	4	LS70 11		DÜŞEY KANAT PROFİLİ / Vertical Sash Profile	SH=FH-29.2mm
3-1	2	LS70 11		DÜŞEY SABİT KANAT PROFİLİ / Vertical Fixed Sash Profile	SH=FH-45mm
4	8	LS70 11		YATAY KANAT PROFİLİ / Horizontal Frame Profile	SW=FW-42.7mm
5A	1	LS70-42		ADAPTÖR PROFİLİ / Adapter Profile	LS60.41-SH45mm
5	2	LS70 41		KENET PROFİLİ / Central Locking Profile	LS70 41=SH
5-1	2	LS70 41		SABİT KENET PROFİLİ / Fix Central Locking Profile	SH=FH-45mm
6	4	11_026		DÜŞEY CAM ÇITASI / Vertical Glazing Bead	G1=SH-202.2mm
7	4	11_026		YATAY CAM ÇITASI / Horizontal Glazing Bead	G2=SW-188mm
6-1	4	11_026		SABİT DÜŞEY CAM ÇITASI / Vertical Glazing Bead	G1=FH-88.6mm
7-1	4	11_026		SABİT YATAY CAM ÇITASI / Horizontal Glazing Bead	G2=(FW/4)-84.9mm
8	2	LS70 40		ÜST ALT KAPAK PROFİLİ / Top Bottom Cover Profile	(FW)Z-50.8
PVC	2	MOT0-10		KENET PVC PROFİLİ / Central Locking PVC Profile	SH-3mm
PVC	2	MOT0-10		KENET PVC PROFİLİ / Central Locking PVC Profile	FH-45mm
Steel	1	AŞILIR.02		ÇELİK RAY PROFİLİ / Steel Rail Profile	FW-76mm

FİTİLLER / GASKETS

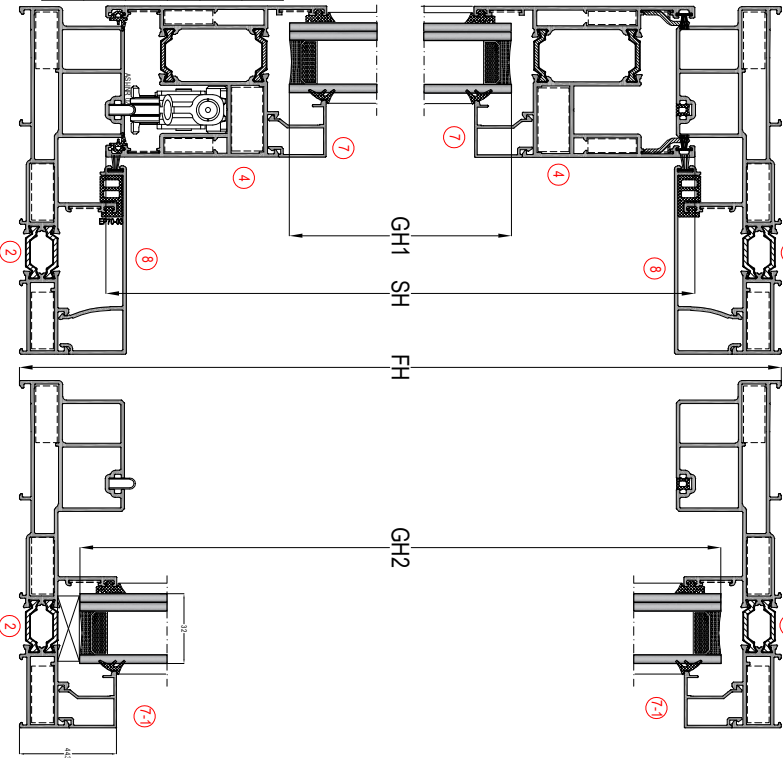
MİKTAR / Unit	KOD / Code	PROFİL ÇİZİMİ / Drawing	PROFİL TANIMI / Description	KESİM ÖLÇÜSÜ / Cutting Dimensions
MT	EP1-01		DİŞ CAM FİTİLİ / Outer Glazing Gasket	8x(G1+G2)
MT	EP1-01		İÇ CAM FİTİLİ / Inner Glazing Gasket	8x(G1+G2)
MT	TR9-FH-200		KANAT ÜST FİTİLİ / Sash Top Gasket	4 x SW
MT	EP90-04		KENET FİTİLİ / Central Locking Gasket	4 x SH
MT	EP38T-01		KANAT FİTİLİ / Sash Gasket	(6xSH)+(6xSW)
MT	EP70-02/EP70-02		KASA FİTİLİ / Frame Gasket	(2xFH) + (1x FW)
MT	EP70-03		SABİT ÇİTA FİTİLİ / Fixed Frame Gasket	EP70-03=LS70 40
MT	KF 67-600		FİRÇA FİTİLİ / Brush Gasket - 6mm	(2xFH)+(2xFW)
MT	KF 67-700		FİRÇA FİTİLİ / Brush Gasket - 7mm	2xSW

AKSESUARLAR / ACCESSORIES

ADET / Pcs	MOT0-01		KENET KAPAĞI / Ineotok Profile Cap
4 Adet / Pcs	MOT0-03		MOT0-0.0.1 ALT KAPAK PROFİLİ / Bottom Cover Profile
2 Adet / Pcs	MOT0-04		MOT0-10 ÜST KAPAK PROFİLİ / Top Cover Profile
2 Adet / Pcs	M060-05D		ALT-ÜST HAVA KEŞİÇİ / Central Sealing - Bottom-Top
8 Adet / Pcs	MOT0-13		KANAT DENGELEMİE PLASTİĞİ / Sash Stabilization Spacer
28 Adet / Pcs	AS1-SB 19.1		KÖŞE GÖNVERİSİ / Corner Alignment
12 Adet / Pcs	AS1-PPB 1126 AS1-KT 126		KÖŞE TAKOZU veya PİVALİ BAĞLANTI / Corner Joint
8 Adet / Pcs	AS1-KT 1429		KÖŞE TAKOZU / Peg Corner Joint
16 Adet / Pcs	AS1-KT 2307		KÖŞE TAKOZU / Peg Corner Joint
4 Adet / Pcs	LS60-DB 3560		ÇEKİRME BAĞLANTI / Connections
1 Takım / Set	LS60-MER1D		KALDIR-SÜR MEKANİZMASI / Lift/Slide Mechanism
2 Adet / Pcs	MOT0-12		ADAPTÖR KAPAĞI / Adapter Cover



CAM KESİM ÖLÇÜLERİ / GLASS CUTTING SIZES		
KOD / Code	TANIMI / Description	KESİM ÖLÇÜSÜ / Cutting Dimensions
GW1	KANAT CAM GENİŞLİK / Sash Glass Width	GW=SW-170,4mm
GH1	KANAT CAM YÜKSEKLİK / Sash Glass Height	GH=SH-170,4mm
GW2	SABİT CAM GENİŞLİK / Fixed Glass Width	GW1=GW2
GH2	SABİT CAM YÜKSEKLİK / Fixed Glass Height	FH=55mm

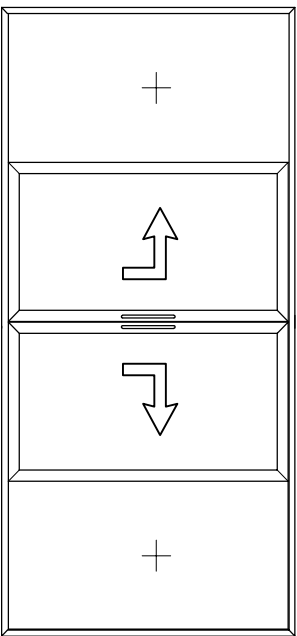
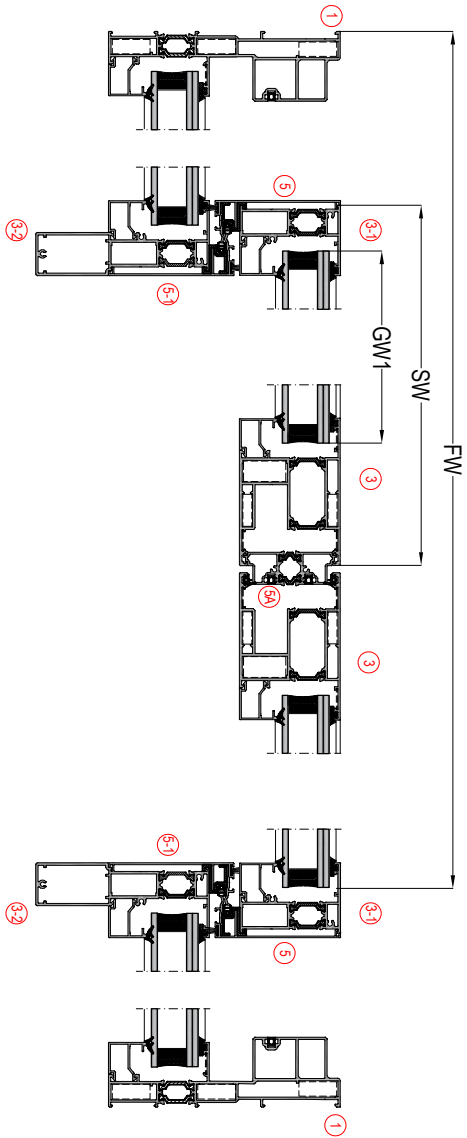


PROFİLLER / PROFILES

NO / Number	ADET / Unit	KOD / Code	PROFİL ÇİZİMİ / Drawing	PROFİL TANIMI / Description	KESİM ÖLÇÜSÜ / Cutting Dimensions
1	2	LST70 08		DÜŞEY KASA PROFİLİ / Vertical Frame Profile	FH
2	2	LST70 08		YATAY KASA PROFİLİ / Horizontal Frame Profile	FW
3	1	LST70 11		DÜŞEY KANAT PROFİLİ / Vertical Sash Profile	SH=FH-79,2mm
4	2	LST70 11		YATAY KANAT PROFİLİ / Horizontal Sash Profile	SW=(FW/2)+94mm
3-1	1	LST70 12		DAR KANAT PRO/Central Locking Profile	FH-184,4mm
3-2	1	LST70 13		TAKYIVEL DAR KANAT PRO/Central Locking Profile	FH-45mm
5	1	LST70 44		KENET ADAPTOR PROFİLİ / Central Locking Profile	FH-84,6
5-1	1	LST70 44		KENET ADAPTOR PROFİLİ / Central Locking Profile	FH-45
6	2	1_1,026		DÜŞEY CAM ÇITASI / Vertical Glazing Bead	G1=SH-200,2mm
6-1	1	1_1,026		SABİT DÜŞEY CAM ÇITASI / Fk Vertical Glazing Bead	G1=FH-88,8mm
7	2	1_1,026		YATAY CAM ÇITASI / Horizontal Glazing Bead	G2=SW-158,2mm
7-1	2	1_1,026		SABİT YATAY CAM ÇITASI / Horizontal Glazing Bead	G2=(FW/2)-75mm
8	2	LST70 40		ÜST ALT KAPAK PROFİLİ / Top Bottom Cover Profile	G2=FH-12mm
9	1	LST70 40		DÜŞEY KAPAK PROFİLİ / Vertical Cover Profile	G2=FH-98mm
PVC	1	MOT70-09		KENET PVC PROFİLİ / Central Locking PVC Profile	FH-94,6
PVC	1	MOT70-09		SABİT KENET PVC PROFİLİ / Central Locking PVC Profile	FH-45
Steel	1	ASHNR02		ÇELİK RAY PROFİLİ / Steel Rail Profile	FW-82mm

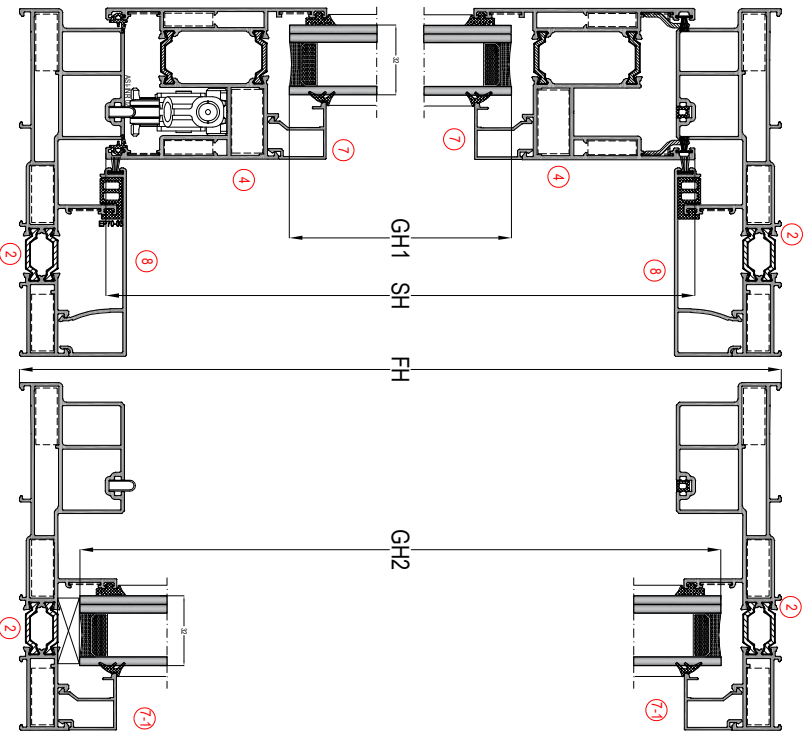
FİTİLLER / GASKETS

MİKTAR / Unit	KOD / Code	PROFİL ÇİZİMİ / Drawing	PROFİL TANIMI / Description	KESİM ÖLÇÜSÜ / Cutting Dimensions
MT	EP-101		DİŞ CAM FİTİLİ / Outer Glazing Gasket	4x(G1+G2)
MT	EP-201		İÇ CAM FİTİLİ / Inner Glazing Gasket	4x(G1+G2)
MT	TR-FIN-700		KANAT ÜST FİTİLİ / Sash Top Gasket	2 x SW
MT	EP-60-04		KENET FİTİLİ / Central Locking Gasket	2 x SH
MT	EP-38T-01		KANAT FİTİLİ / Sash Gasket	(2SH)+(2SW)
MT	EP70-02 / EP38-02		KASA FİTİLİ / Frame Gasket	(2FH)+(1xFW)
MT	EP70-03		SABİT ÇITA FİTİLİ / Fixed Frame Gasket	EP70-03=LST70 40
MT	KF-67-700		FİRÇA FİTİLİ / Brush Gasket - 7mm	(EP70-03=LST70 40)+(2RH)+(2FW)
2 Adet / Pcs	MOT70-01		KENET KAPAĞI / Interlock Profile Cap	
2 Adet / Pcs	MGB0-55D		ALT ÜST HAVYA KESİCİ / Central Sealing - Bottom-Top	
4 Adet / Pcs	MOT70-13		KANAT DENGELEME PLASTİĞİ / Sash Stabilization Spacer	
12 Adet / Pcs	ASL-SB 19.14		KÖŞE GÖNVESESİ / Corner Alignment	
12 Adet / Pcs	ASL-PPB 1126 ASL-KT 1126		KÖŞE TAKOZU wwg PİMLİ BAĞLANTI / Corner Joint Pcs or Pnl	
4 Adet / Pcs	ASL-KT 1429		KÖŞE TAKOZU / Pcs Corner Joint	
4 Adet / Pcs	ASL-KT 2307		KÖŞE TAKOZU / Pcs Corner Joint	
4 Adet / Pcs	ASL-KT 1106		KÖŞE TAKOZU / Pcs Corner Joint	
1 Takım / Set	LSP0-MEK1		KALDIRIŞUR MEKANİZMASI / LiftSlide Mechanism	



CAM KESİM ÖLÇÜLERİ / GLASS CUTTING SIZES

KOD / Code	TANIMI / Description	KESİM ÖLÇÜSÜ / Cutting Dimensions
GW1	KANAT CAM GENİŞLİK / Sash Glass Width	GW=SW-170,4mm
GH1	KANAT CAM YÜKSEKLİK / Sash Glass Height	GH=SH-170,4mm
GW2	SABİT CAM GENİŞLİK / Fixed Glass Width	GW1=GW2
GH2	SABİT CAM YÜKSEKLİK / Fixed Glass Height	FH=55mm



PROFİLLER / PROFILES

SIRA NO / Number	ADET / Unit	KOD / Code	PROFİL ÇİZİMİ / Drawing	PROFİL TANIMI / Description	KESİM ÖLÇÜSÜ / Cutting Dimensions
1	2	LS70 08		DÜŞEY KASA PROFİLİ / Vertical Frame Profile	FH
2	2	LS70 08		YATAY KASA PROFİLİ / Horizontal Frame Profile	FW
3	2	LS70 11		DÜŞEY KANAT PROFİLİ / Vertical Sash Profile	SH-FH±2,2mm
4	4	LS70 11		YATAY KANAT PROFİLİ / Horizontal Frame Profile	SW=FW±4-102,4mm
3-1	2	LS70 12		DAR KANAT PRO. Central Locking Profile	FH-184,4mm
3-2	2	LS70 13		TAKIVELİ DAR KANAT PRO. Central Locking Profile	FH-45mm
5A	1	LS70-42		ADAPTOR PROFİLİ / Adapter Profile	LS70 41=SH±60mm
5	2	LS70 44		KENET ADAPTOR PROFİLİ / Central Locking Profile	FH±94,6
5-1	2	LS70 44		KENET ADAPTOR PROFİLİ / Central Locking Profile	FH±45
6	4	11_026		DÜŞEY CAM ÇİTASI / Vertical Glazing Bead	G1=SH-202,2mm
7	4	11_026		YATAY CAM ÇİTASI / Horizontal Glazing Bead	G2=SW-168mm
6-1	4	11_026		SABİT DÜŞEY CAM ÇİTASI / Vertical Glazing Bead	G1=SH-188,6mm
7-1	4	11_026		SABİT YATAY CAM ÇİTASI / Horizontal Glazing Bead	G2=FW±55,8mm
8	2	LS70 40		ÜST ALT KAPAK PROFİLİ / Top Bottom Cover	(FW)/2±7,4
PVC	2	MOT0-10		KENET PVC PROFİL / Central Locking PVC Profile	FH±94,6
PVC	2	MOT0-10		KENET PVC PROFİL / Central Locking PVC Profile	FH±45
Seal	1	AS1NR 02		ÇELİK RAY PROFİLİ / Steel Rail Profile	FW±2mm

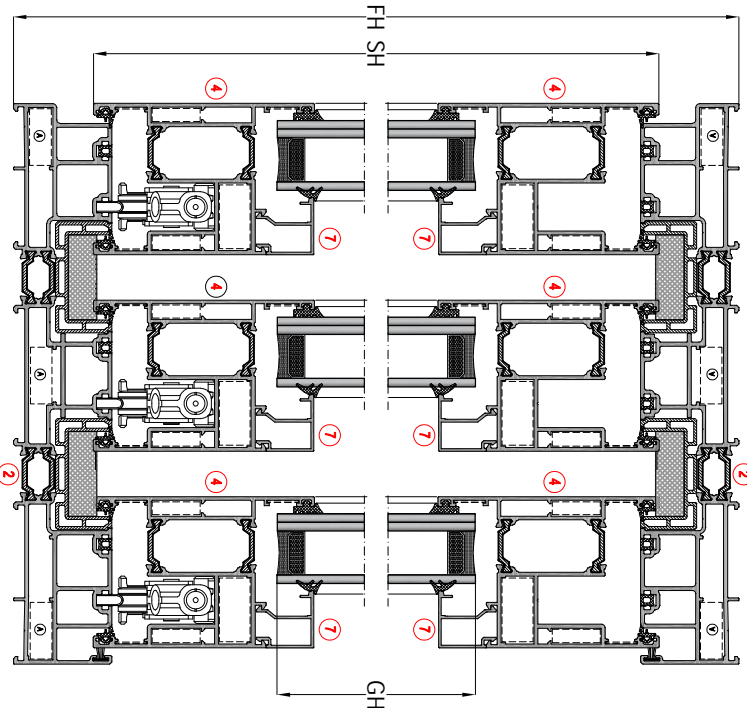
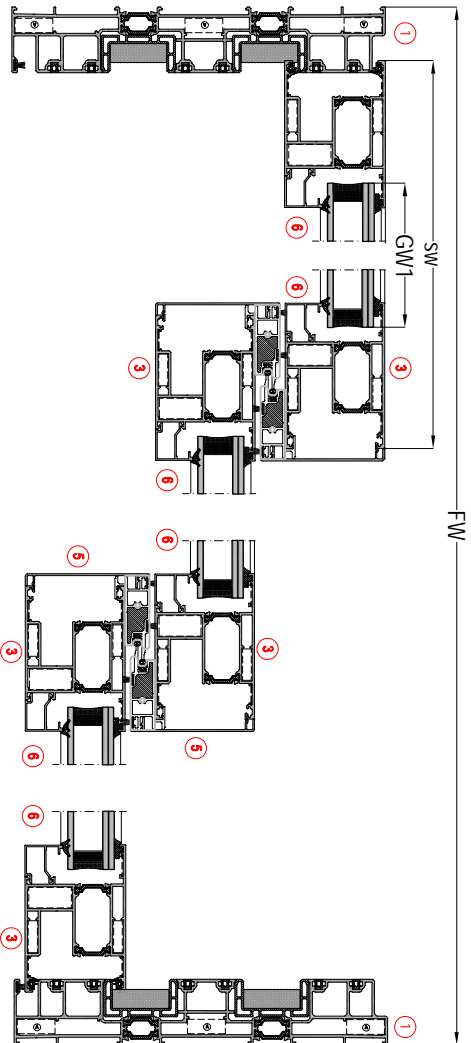
FİTİLLER / GASKETS

MİKTAR / Unit	KOD / Code	PROFİL ÇİZİMİ / Drawing	PROFİL TANIMI / Description	KESİM ÖLÇÜSÜ / Cutting Dimensions
MT	EP1-01		DİŞ CAM FİTİLİ / Outer Glazing Gasket	8x(G1+G2)
MT	EP2-01		İÇ CAM FİTİLİ / Inner Glazing Gasket	8x(G1+G2)
MT	TRFH-700		KANAT ÜST FİTİLİ / Sash Top Gasket	4 x SW
MT	EP60-04		KENET FİTİLİ / Central Locking Gasket	4 x SH
MT	EP381-01		KANAT FİTİLİ / Sash Gasket	(6xSH)+(8xSW)
MT	EP70-02/EP9-02		KASA FİTİLİ / Frame Gasket	(2xFH) - (1x FW)
MT	EP70-03		SABİT ÇİTA FİTİLİ / Fixed Frame Gasket	EP70-03=LS70 40
MT	KF 61-600		FİRÇA FİTİLİ / Brush Gasket - 6mm	(4xFH)-(4xFW)
MT	KF 61-700		FİRÇA FİTİLİ / Brush Gasket - 7mm	(2xSW)-(4xFH)-(4xFW)

AKSESUARLAR / ACCESSORIES

ADET / Pcs	KOD / Code	PROFİL ÇİZİMİ / Drawing	PROFİL TANIMI / Description
4 Adet / Pcs	MOT0-01		KENET KAPAĞI / Interlock Profile Cap
2 Adet / Pcs	M060-050		ALT ÜST HAVA KESİCİ / Central Sealing - Bottom-Top
8 Adet / Pcs	MOT0-13		KANAT DENGELEME PLASTİĞİ / Sash Stabilization Spacer
28 Adet / Pcs	AS1-SP 19.1		KÖŞE DÖNÜŞESİ / Corner Alignment
12 Adet / Pcs	AS1-PB 11.26		KÖŞE TAKOZU veya PİVALİ BAĞLANTI / Corner Joint Pres. or Pin
8 Adet / Pcs	AS1-KT 14.29		KÖŞE TAKOZU / Pres Corner Joint
8 Adet / Pcs	AS1-KT 2307		KÖŞE TAKOZU / Pres Corner Joint
8 Adet / Pcs	AS1-KT 1106		KÖŞE TAKOZU / Pres Corner Joint
1 Takım / Set	LS80-MEKİD		KALDIRIŞIR MEKANİZMASI / Lift&Slide Mechanism
2 Adet / Pcs	MOT0-12		ADAPTOR KAPAĞI / Adapter Cover

3 LÜ KANAT KES MÖLÇÜLER 3 SLIDING SASHES CUTTING SIZE



CAM KES MÖLÇÜLER / GLASS CUTTING SIZES		
KOD / Code	TANIMI / Description	KES MÖLÇÜSÜ / Cutting Dimensions
GW	CAM GEN. L. K. / Sash Glass Width	GW-SW-170,4mm
GH	CAM YÜKSEKL. K. / Sash Glass Height	GH-SH-170,4mm

PROFİLLER / PROFILES

SIRA NO. / Number	ADET / Unit	KOD / Code	PROF. L. Ç. ZM. / Drawing	PROF. L. TANIMI / Description	KES MÖLÇÜSÜ / Cutting Dimensions
1	2	LS70 05		DU EY KASA PROF. L. / Vertical Frame Profile	FH
2	2	LS70 05		YATAY KASA PROF. L. / Horizontal Frame Profile	FW
3	6	LS70 11		DU EY KANAT PROF. L. / Vertical Sash Profile	SH-FH+23mm
4	6	LS70 11		YATAY KANAT PROF. L. / Horizontal Sash Profile	SH-FH+23mm
5	4	LS70 41		KENET PROF. L. / Central Locking Profile	LS70-41-SH
6	6	11_026		DU EY CAM ÇİTASI / Vertical Glazing Bead	G1-SH-202mm
7	6	11_026		YATAY CAM ÇİTASI / Horizontal Glazing Bead	G2-SW-158mm
PVC	4	MO70-10		KENET PVC PROF. L. / Central Locking PVC Profile	SH-3mm
PVC	4	MO70-08		YATAY KASA KANAL PVC / Horizontal PVC Channel	FW-19
PVC	4	MO70-08		DU EY KASA KANAL PVC / Vertical PVC Channel	FH-19
Siel	3	ASJ-HR-02		ÇELİK RAY PROF. L. / Steel Rail Profile	FW-76mm

FİTLER / GASKETS

MKTAR / Unit	KOD / Code	PROF. L. Ç. ZM. / Drawing	PROF. L. TANIMI / Description	KES MÖLÇÜSÜ / Cutting Dimensions
MT	EP1-01		DI CAM F.T.L. / Outer Glazing Gasket	6x(G1+G2)
MT	EP2-01		ÇAM F.T.L. / Inner Glazing Gasket	6x(G1+G2)
MT	TRH-FH-700		KANAT ÜST F.T.L. / Sash Top Gasket	6 x SW
MT	EP6-04		KENET F.T.L. / Central Locking Gasket	4 x SH
MT	EP381-01		KANAT F.T.L. / Sash Gasket	(4xSH)+(12xSW)
MT	EP70-02		KASA F.T.L. / Frame Gasket	(12xFH)+(6x FW)
MT	KF 67-600		FİRÇA F.T.L. / Brush Gasket - 6mm	(2xFH)+(2xFW)
MT	KF 67-700		FİRÇA F.T.L. / Brush Gasket - 7mm	(2xFH)+(2xFW)

AKSESUARLAR / ACCESSORIES

8 Adet / Pcs	MO70-01		KENET KAPA. I / Innerlock Profile Cap	
4 Adet / Pcs	MO70-03		MO70-10 ALT KAPAK PROF. L. / Bottom Cover Profile	
4 Adet / Pcs	MO70-04		MO70-10 ÜST KAPAK PROF. L. / Top Cover Profile	
4 Adet / Pcs	EP70-08		ALT-ÜST HAVA KES C. / Central Sealing - Bottom-Top	
12 Adet / Pcs	MO70-13		KANAT DENGELEME PLAST. / Sash Stabilization Spacer	
36 Adet / Pcs	AS1-SB 19-1		KO E GÖNYESİ / Corner Alignment	
12 Adet / Pcs	AS1-PB 1126 AS1-KT 1126		KO E TAKOZU ve/ya P.ML BA. LAMTİ / Corner Joint Pcs or Pln	
12 Adet / Pcs	AS1-KT 1429		KO E TAKOZU / Pres Corner Joint	
24 Adet / Pcs	AS1-KT 2307		KO E TAKOZU / Pres Corner Joint	
3 Takım / Sd	LS60-MEK1		KALDIR-SÜR MEKANİZMASI / Lift&Slide Mechanism	