

FDT62

YALITIMLI KATLANIR KAPI SİSTEMİ
THERMAL FOLDING DOOR SYSTEM



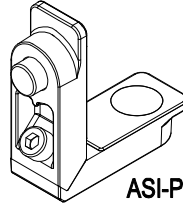
KESİM VE MONTAJ
CUTTING & ASSEMBLY

FDT62

YALITIMLI KATLANIR KAPI SİSTEMİ
THERMAL FOLDING DOOR SYSTEM

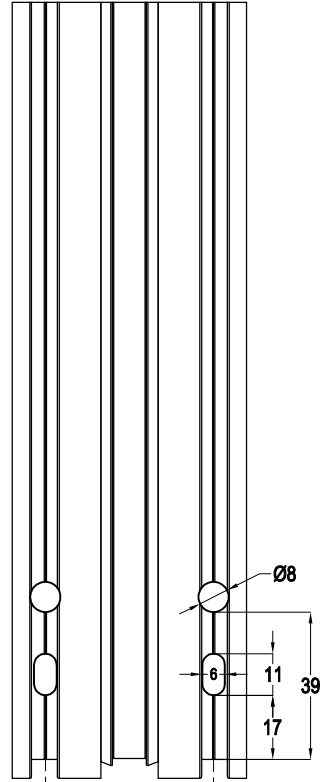


PNC-FDT62

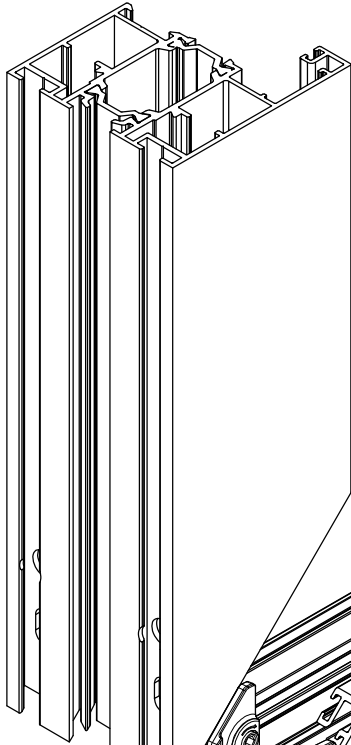


ASI-PB 1214

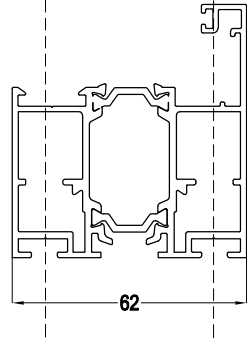
FDT62 11



FDT62 11

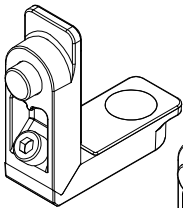


FDT62 11

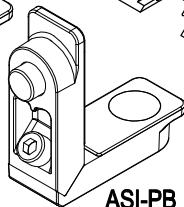


FDT62 11

ASI-PB 1214

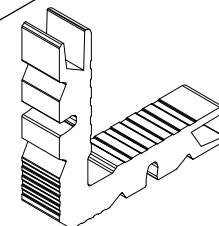


ASI-FUJI 2000



ASI-PB 1214

veya / or

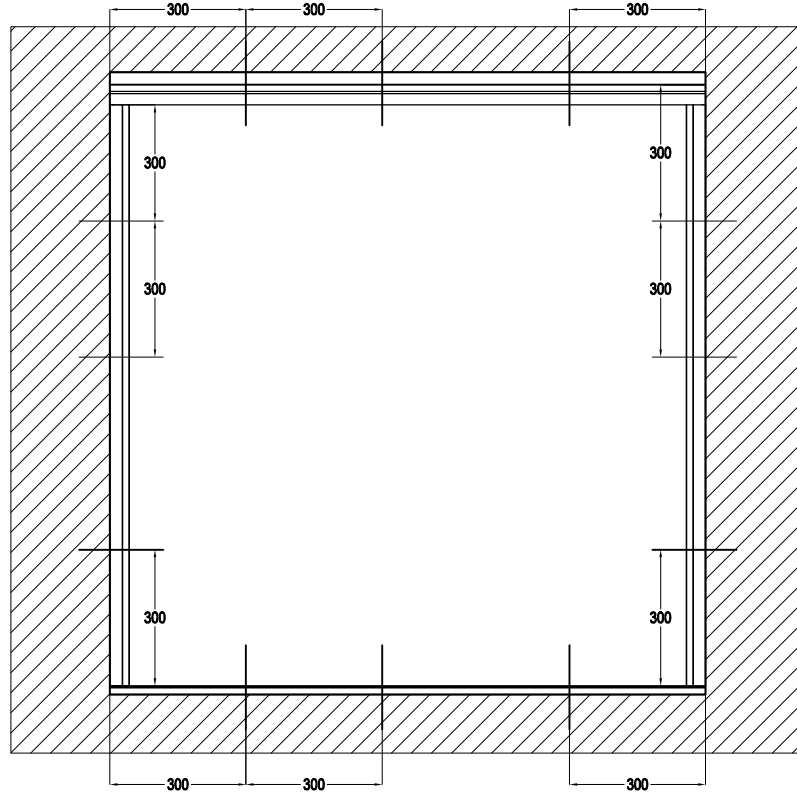


ASI-KT 1214

FDT62

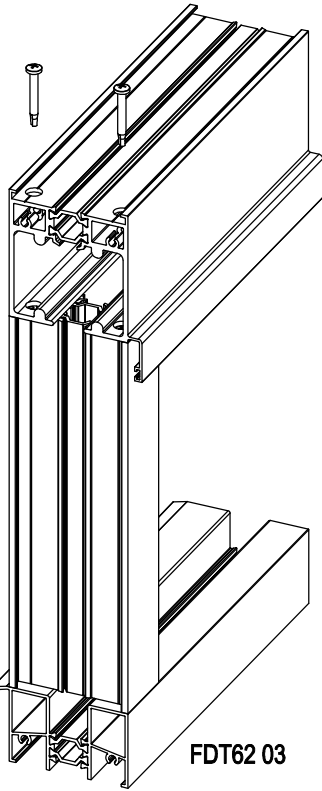
YALITIMLI KATLANIR KAPI SİSTEMİ
THERMAL FOLDING DOOR SYSTEM

ASISTAL



FDT62 02

FDT62 02



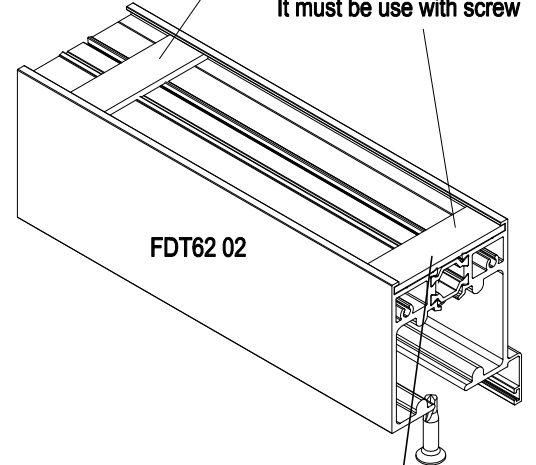
FDT62 01

FDT62 01

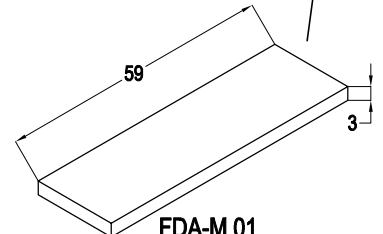
FDT62 03

FDT62 03

FDA-M 01
VİDA ATILACAK YERLERİ
KULLANILMALI
It must be use with screw



FDT62 02

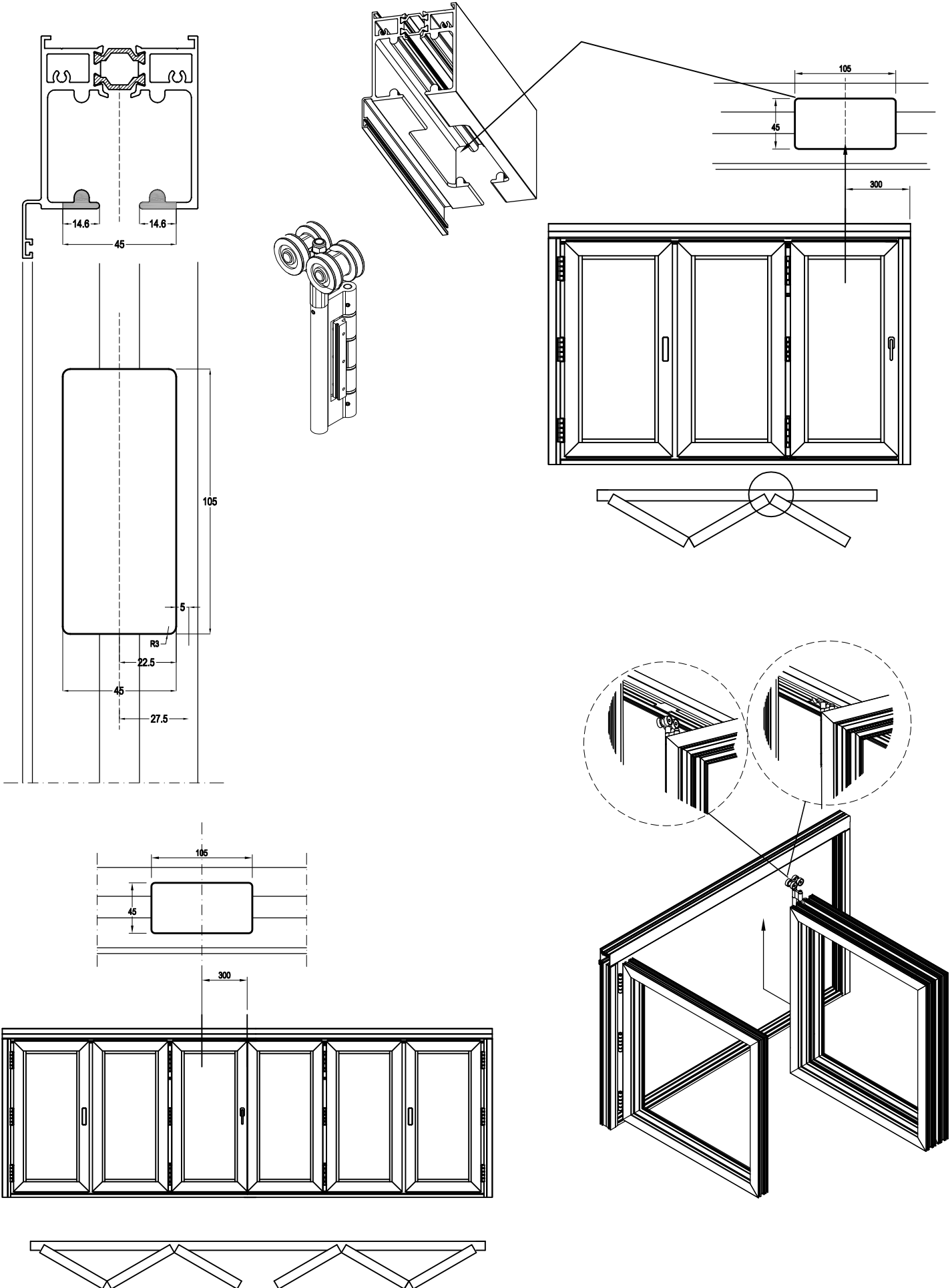


FDA-M 01
alüminyum montaj laması

FDT62

YALITIMLI KATLANIR KAPI SİSTEMİ
THERMAL FOLDING DOOR SYSTEM

ASISTAL



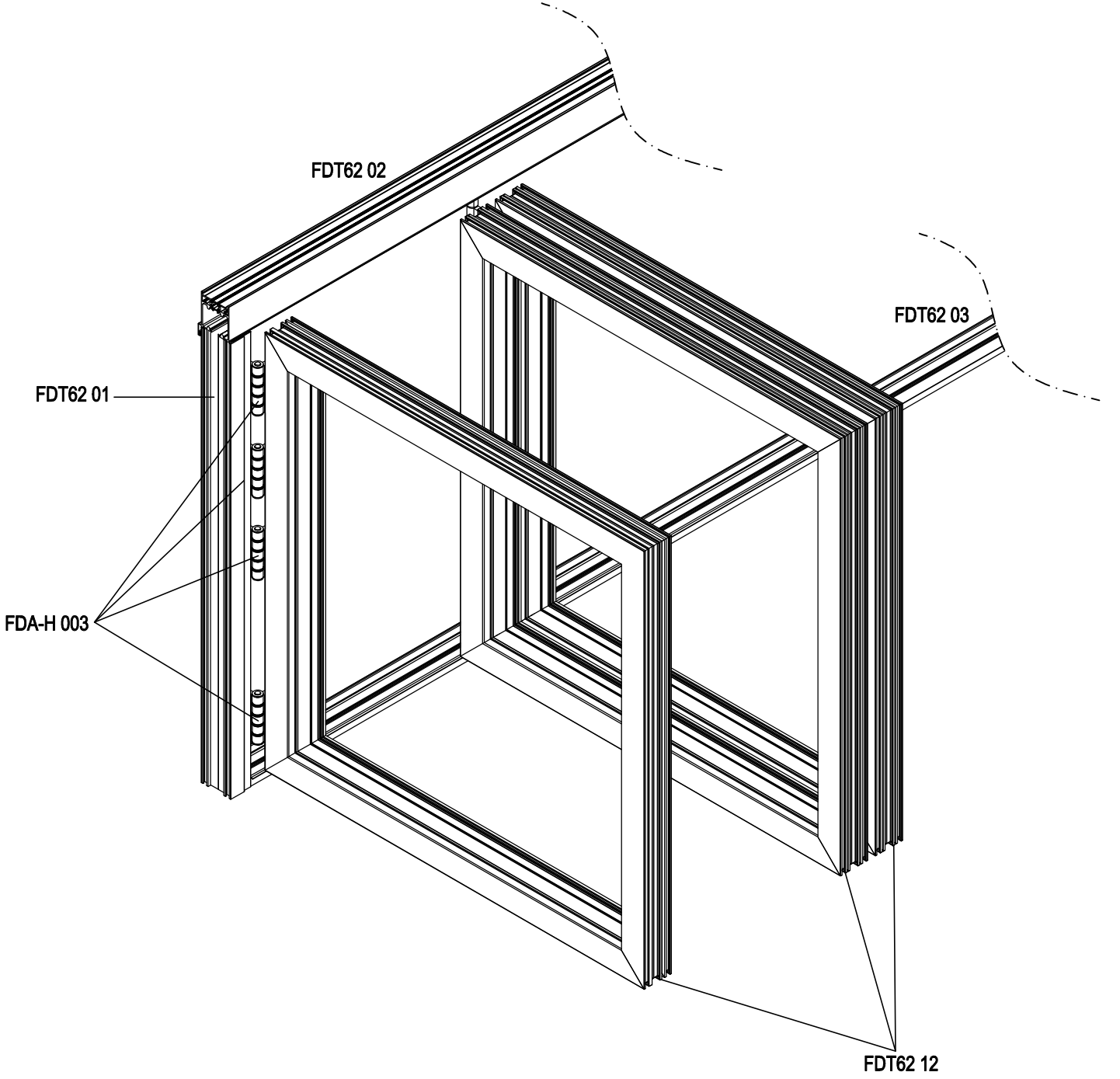
FDT62

YALITIMLI KATLANIR KAPI SİSTEMİ
THERMAL FOLDING DOOR SYSTEM

ASISTAL

1

1

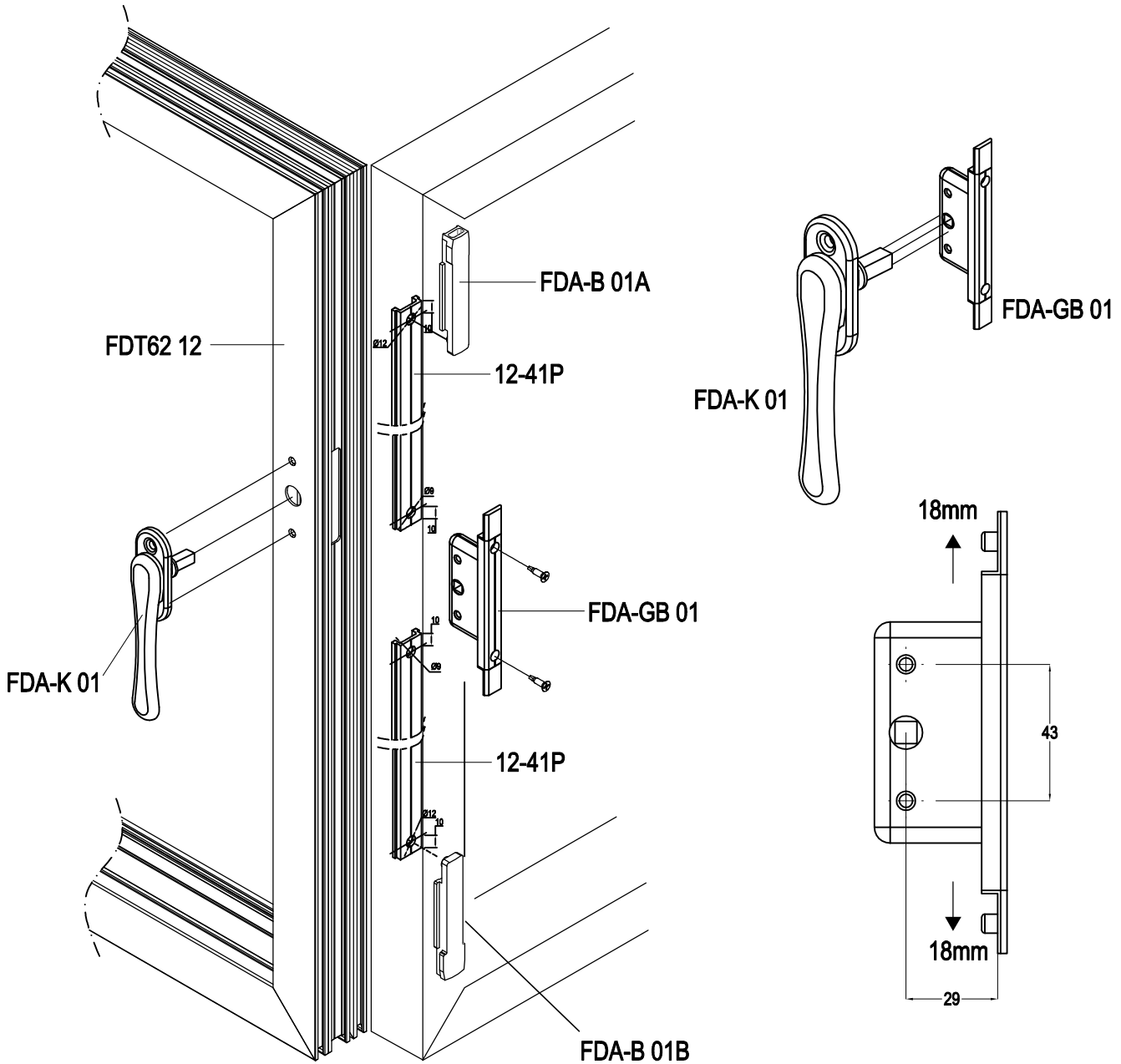
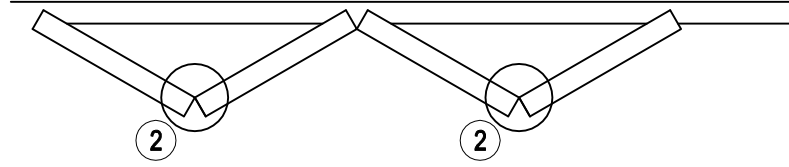


FDT62

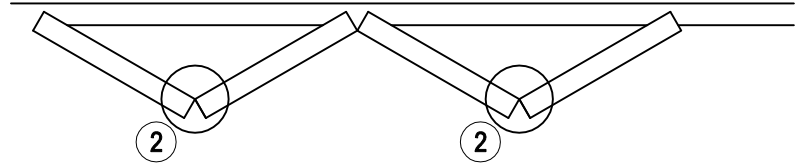
YALITIMLI KATLANIR KAPI SİSTEMİ
THERMAL FOLDING DOOR SYSTEM

ASISTAL

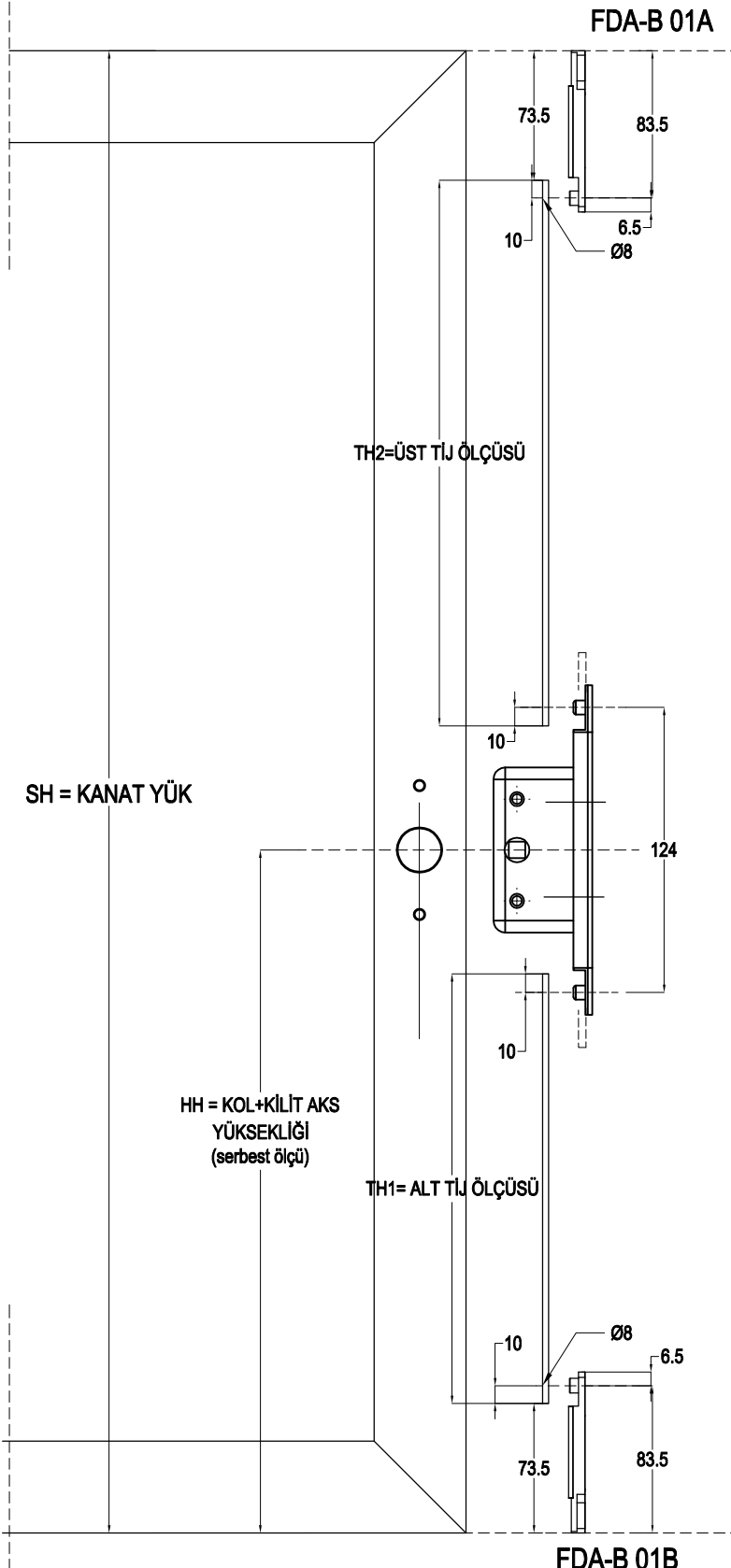
2



2



FDA-B 01A



TH1 (tij profil ölçüsü) = HH - 126mm

TH2 (tij profil ölçüsü) = SH - HH - 126mm

ÖRNEK (SAMPLE) :

SH = 2500 mm HH = 900 mm

TH1 (tij profil ölçüsü) = HH - 126mm

= 900mm - 126mm

= 774mm

TH2 (tij profil ölçüsü) = SH - HH - 126mm

= 2500mm - 900mm - 126mm

= 1474mm

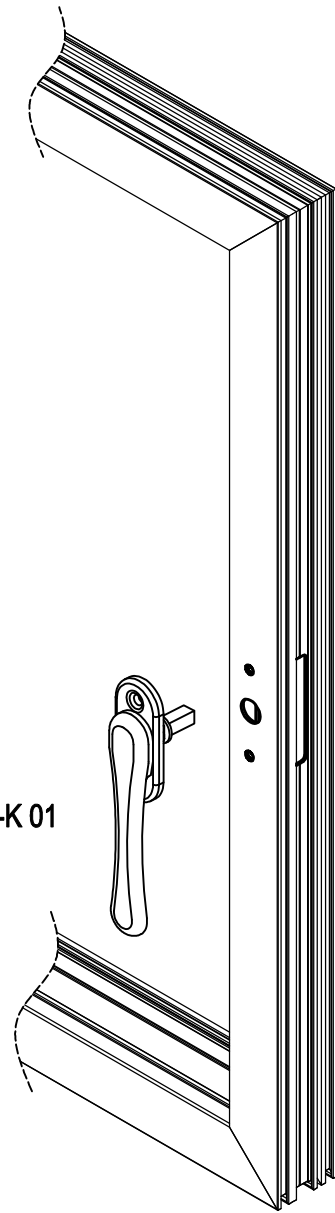
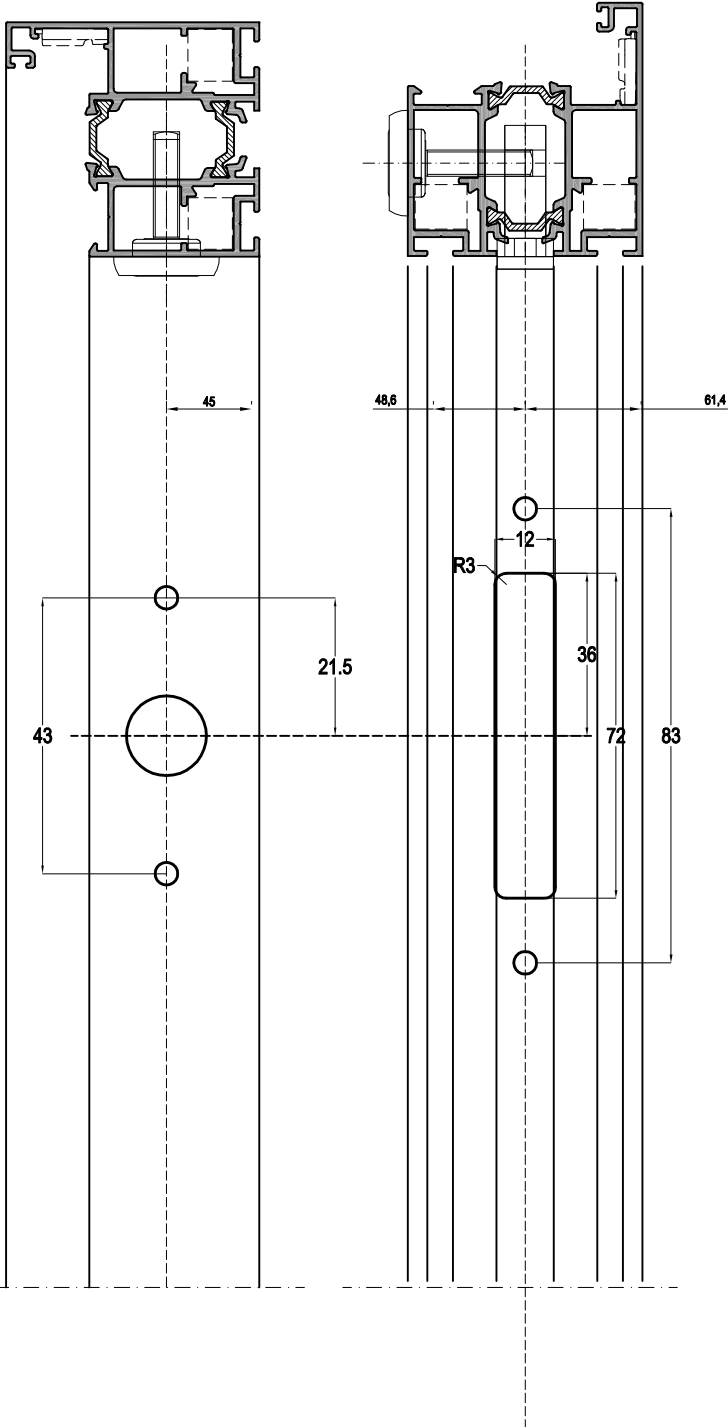
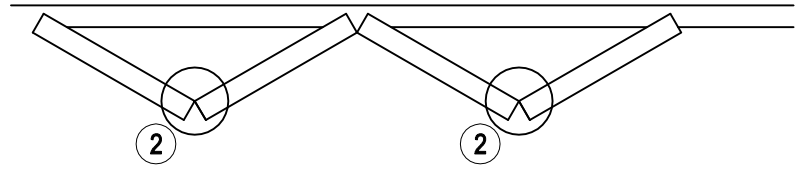
FDA-B 01B

FDT62

YALITIMLI KATLANIR KAPI SİSTEMİ
THERMAL FOLDING DOOR SYSTEM

ASISTAL

2



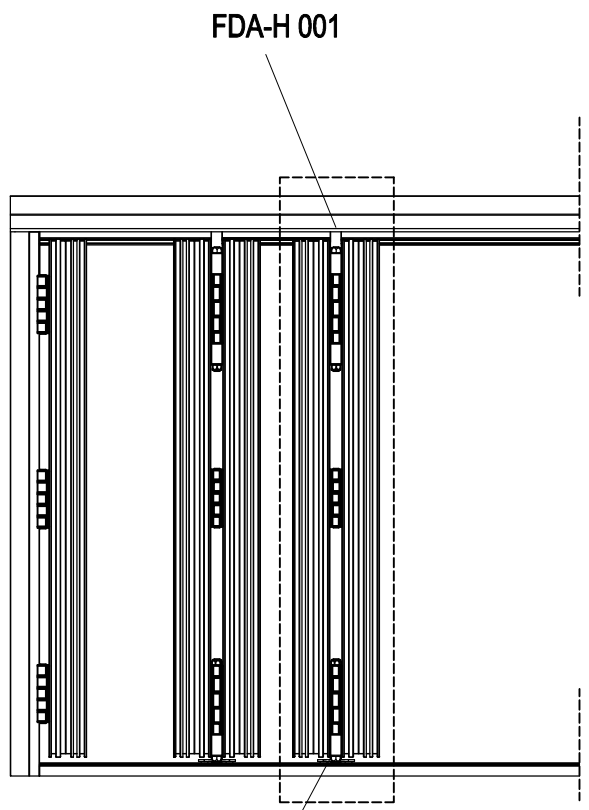
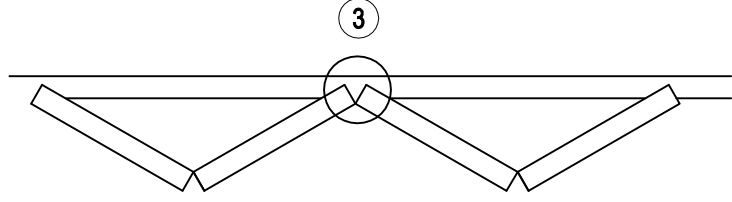
FDA-K 01

FDA-GB 01



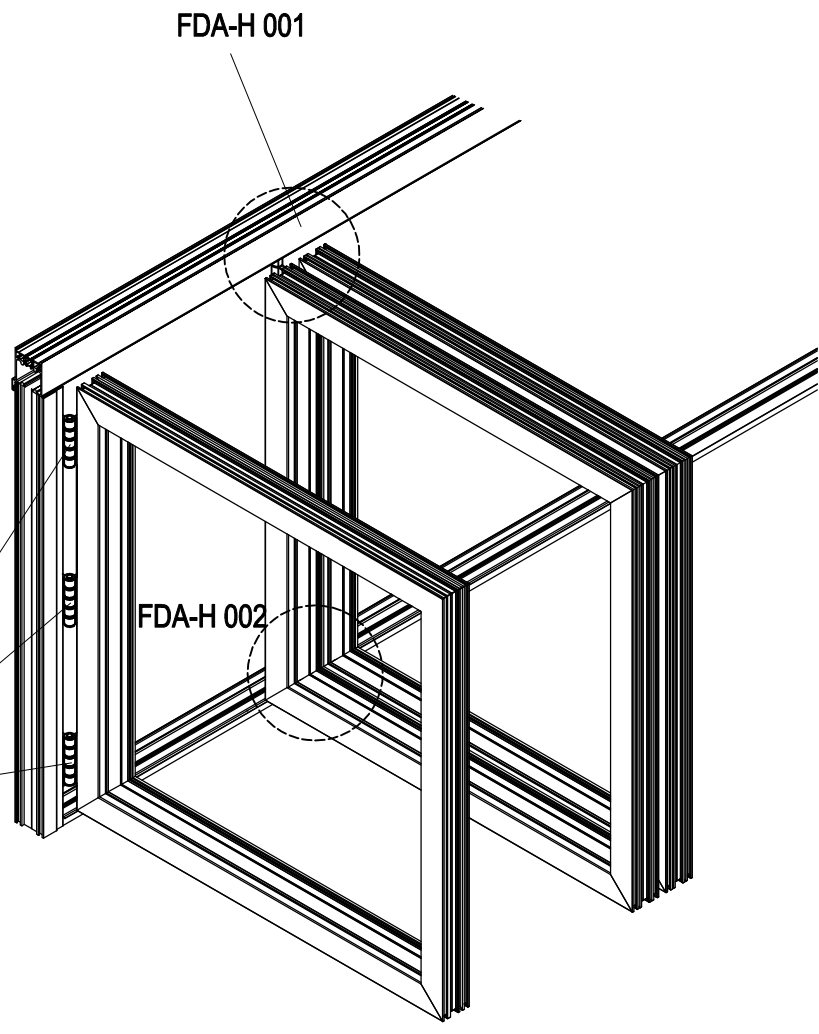


3



FDA-H 001

FDA-H 002



FDA-H 001

FDA-H 002

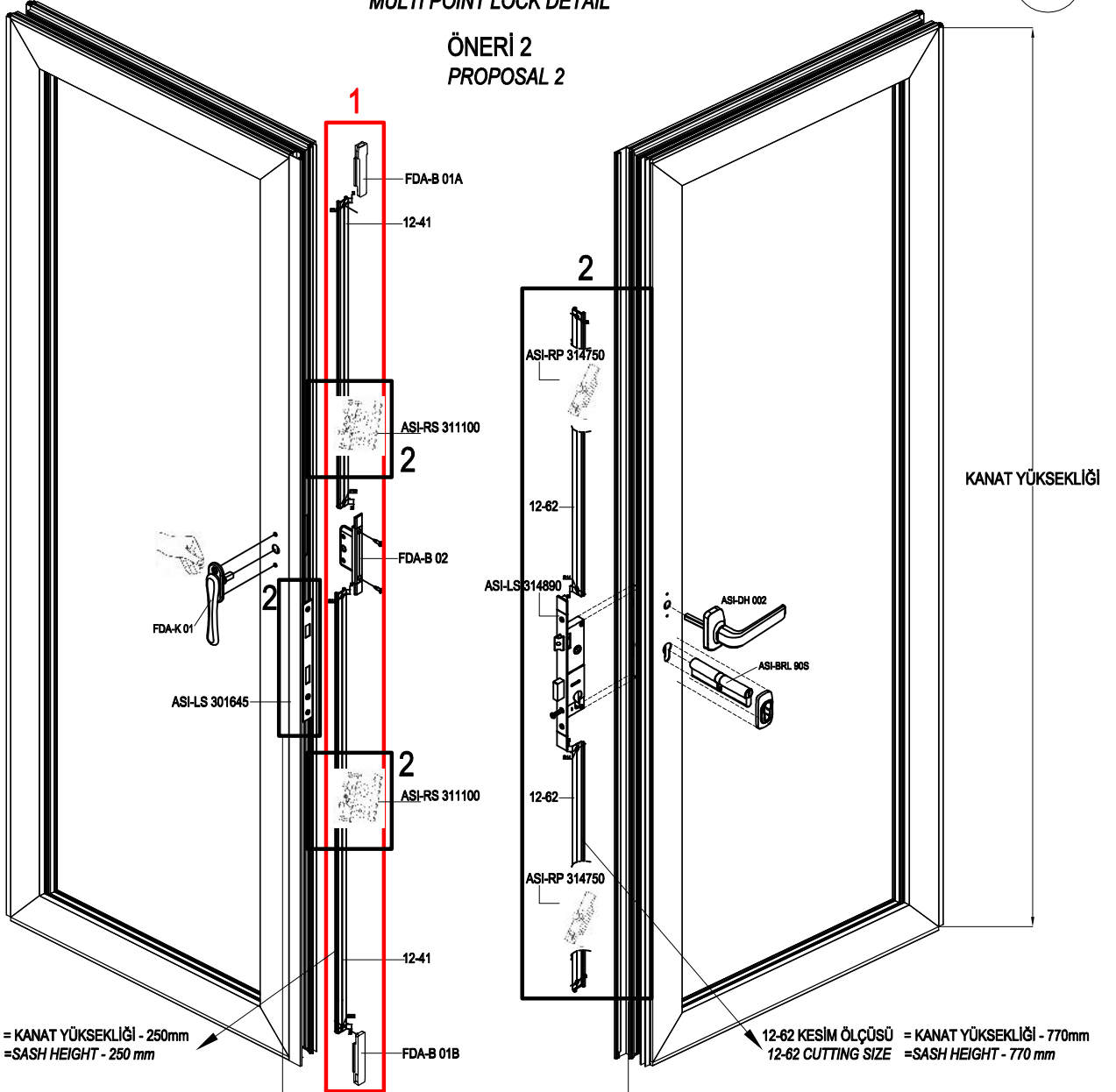
FDA-H 003

4

İSPANYOLET KİLİTLEME DETAYI MULTI POINT LOCK DETAIL

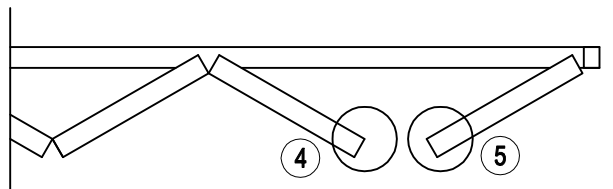
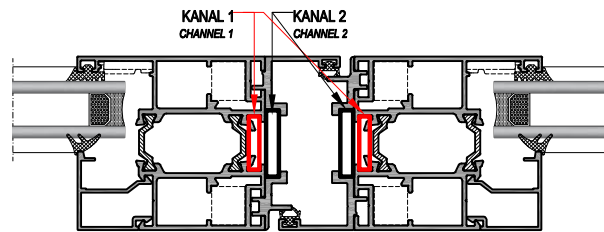
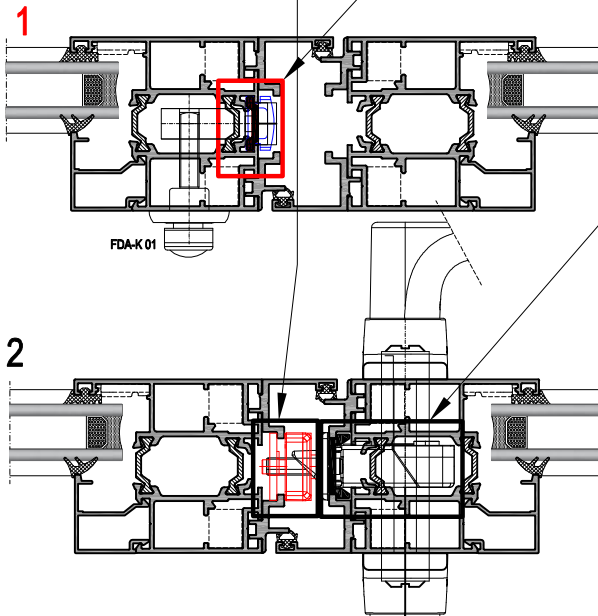
5

ÖNERİ 2 PROPOSAL 2



12-62 KESİM ÖLÇÜSÜ = KANAT YÜKSEKLİĞİ - 250mm
12-62 CUTTING SIZE = SASH HEIGHT - 250 mm

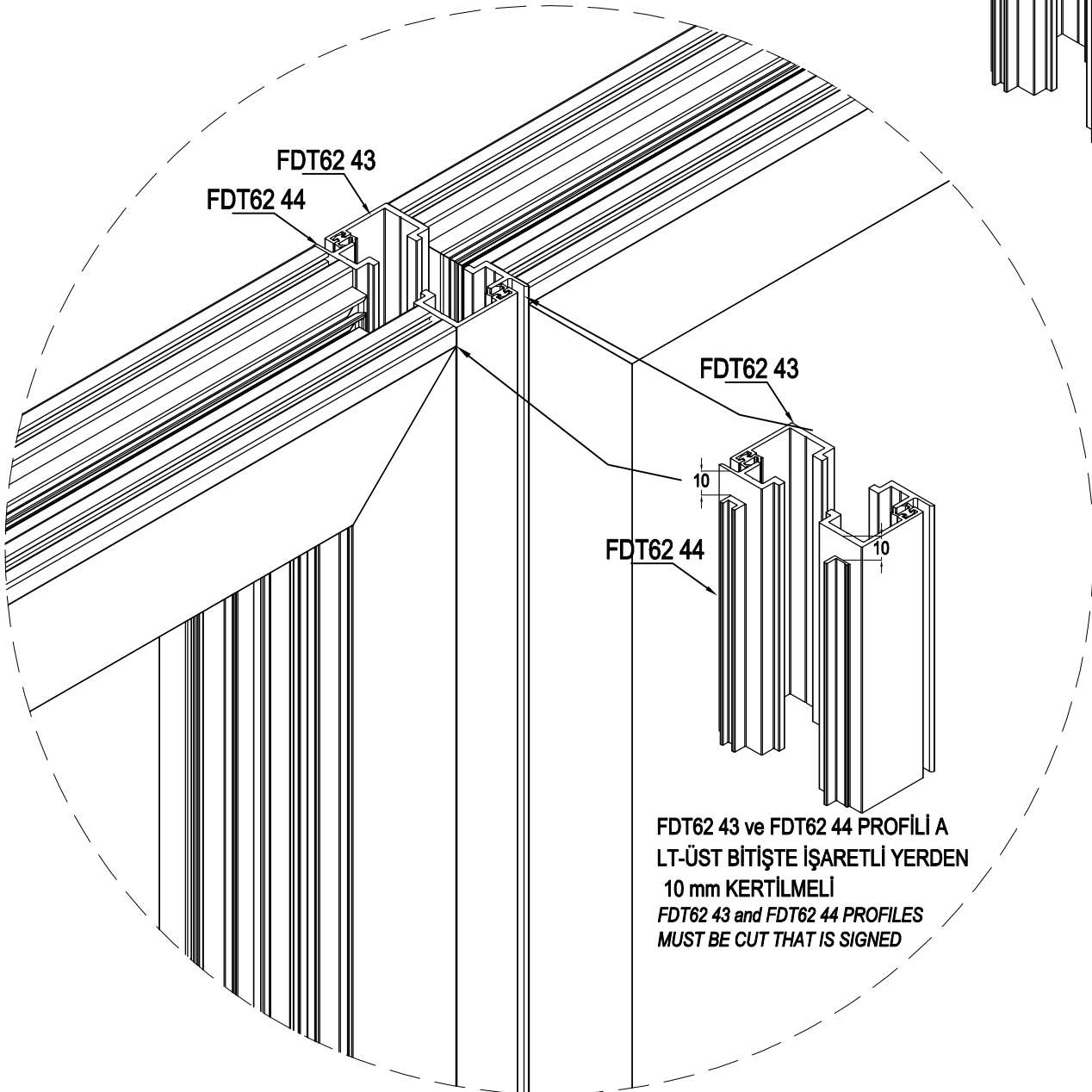
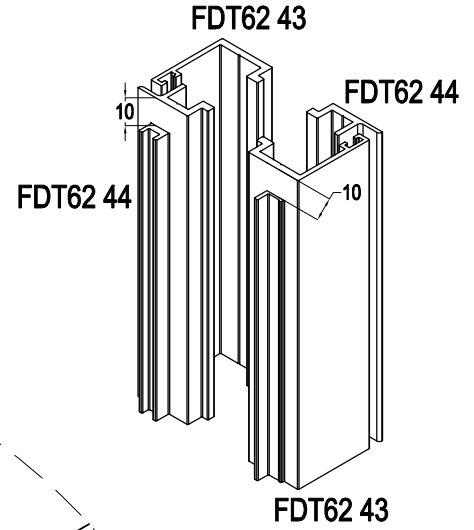
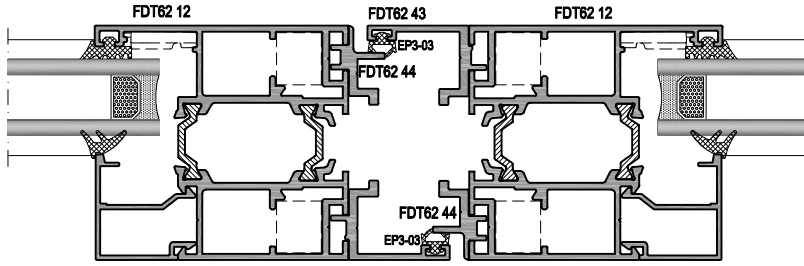
12-62 KESİM ÖLÇÜSÜ = KANAT YÜKSEKLİĞİ - 770mm
12-62 CUTTING SIZE = SASH HEIGHT - 770 mm



FDT62

YALITIMLI KATLANIR KAPI SİSTEMİ
THERMAL FOLDING DOOR SYSTEM

ASISTAL

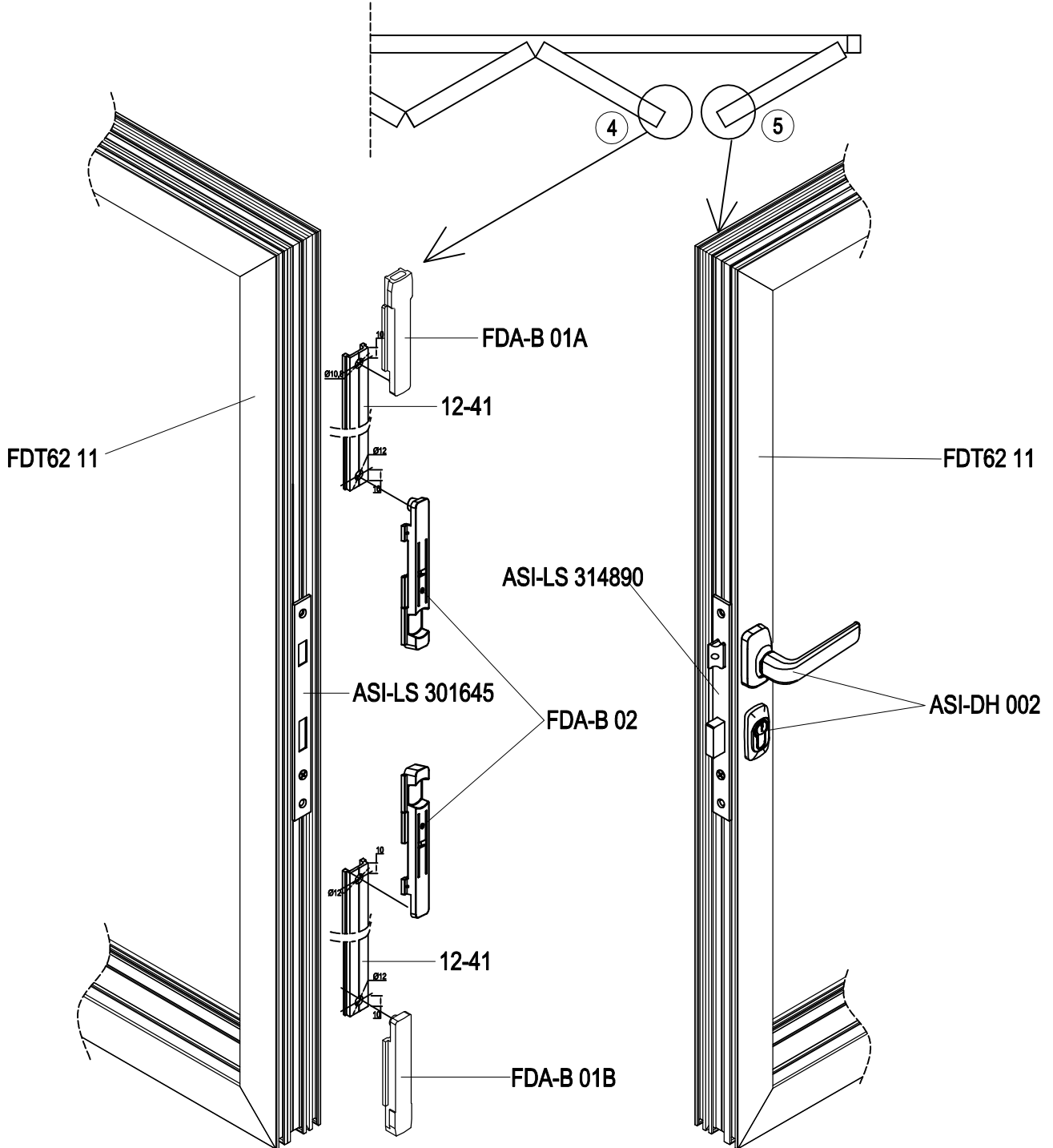


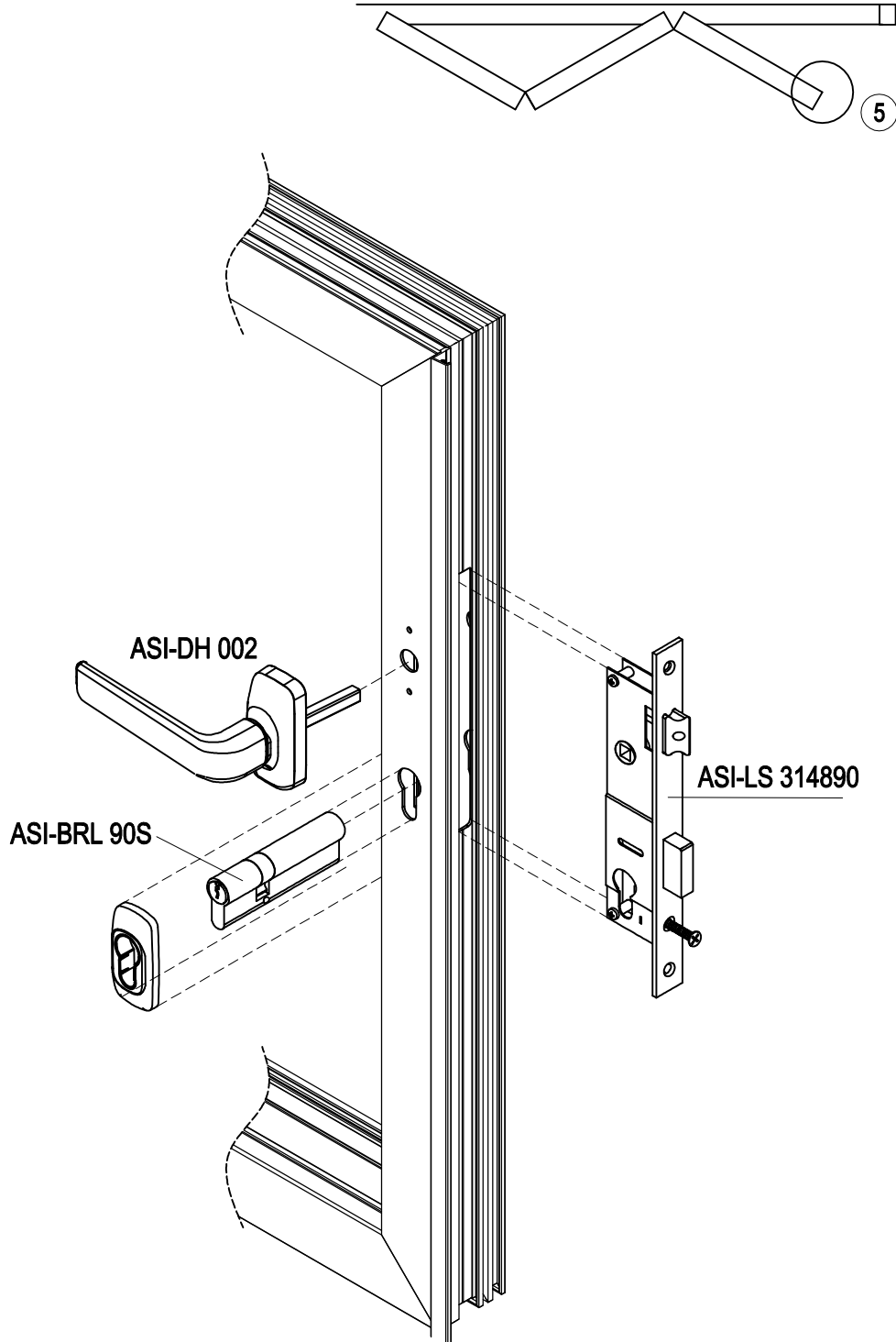
FDT62 43 ve FDT62 44 PROFİLİ A
LT-ÜST BİTİŞTE İŞARETLİ YERDEN
10 mm KERTİLMELİ
FDT62 43 and FDT62 44 PROFILES
MUST BE CUT THAT IS SIGNED

TEK NOKTADAN KİLİTLEME DETAYI-STANDART DİLLİ KİLİT UYGULAMASI
SINGLE POINT LOCK DETAIL - STANDART MORTISE LOCK

4

5

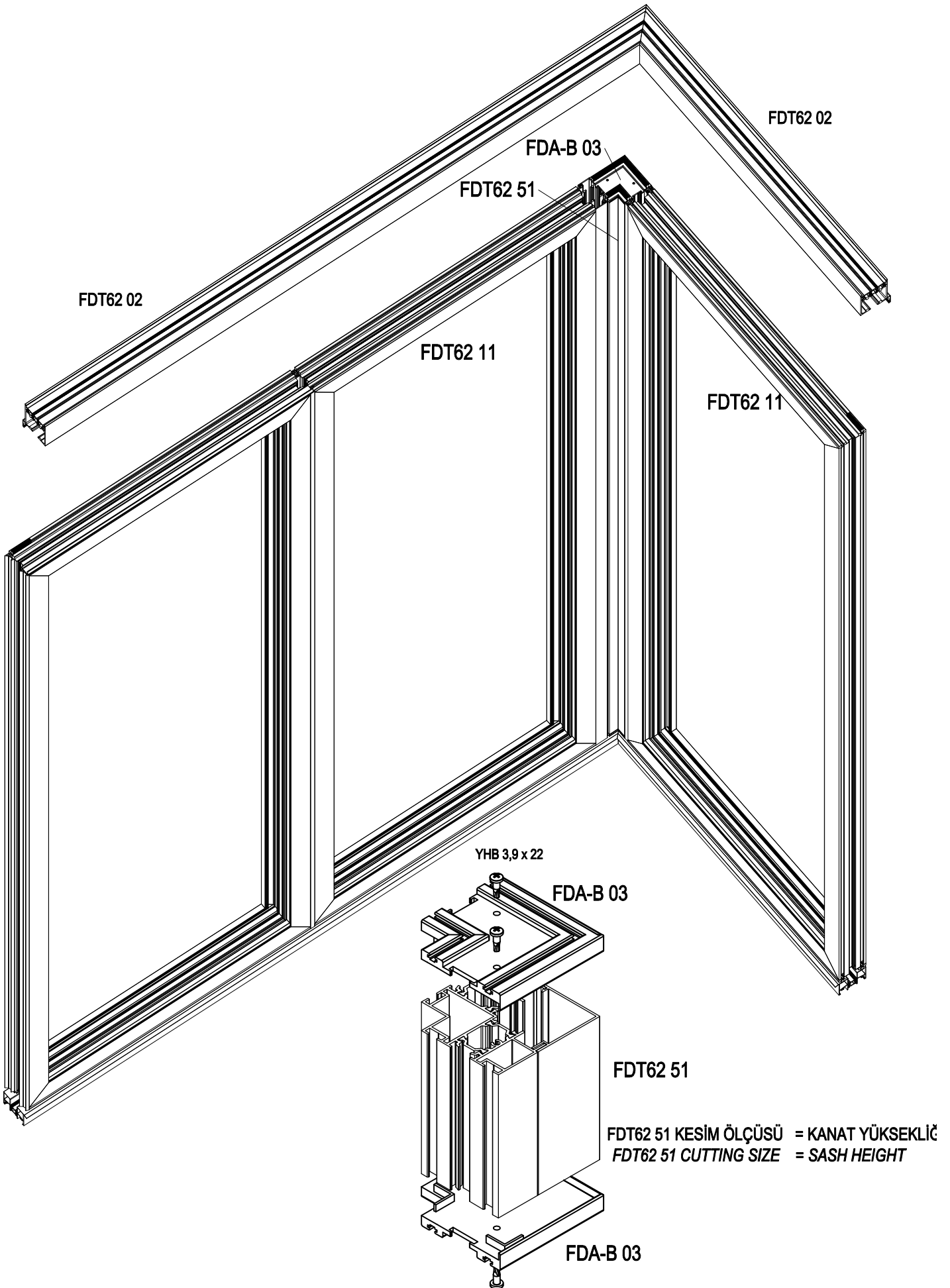


TEK NOKTADAN KİLİTLEME DETAYI- STANDART DİLLİ KİLİT UYGULAMASI
SINGLE POINT LOCK DETAIL - STANDART MORTISE LOCK**5**

FDT62

YALITIMLI KATLANIR KAPI SİSTEMİ
THERMAL FOLDING DOOR SYSTEM

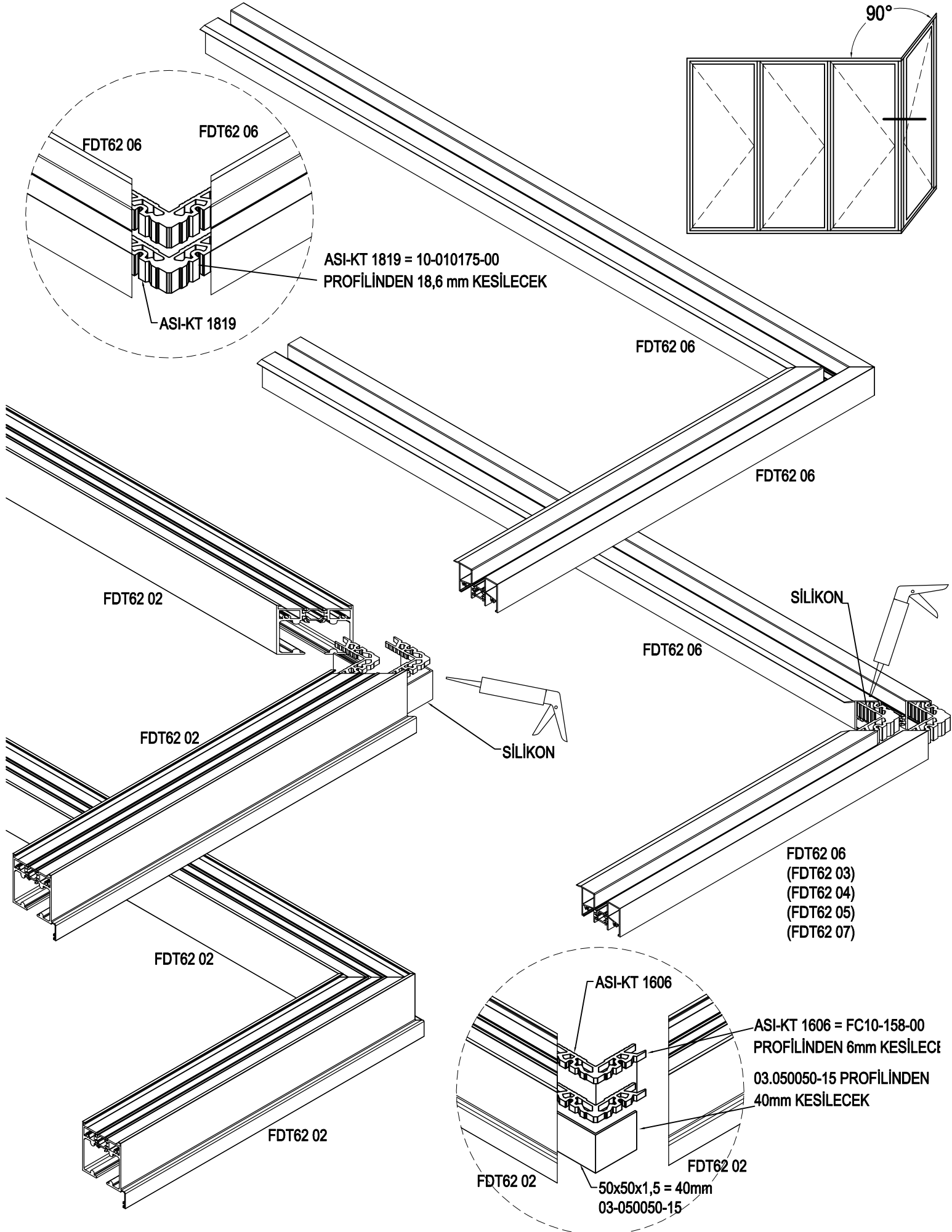
ASISTAL



FDT62

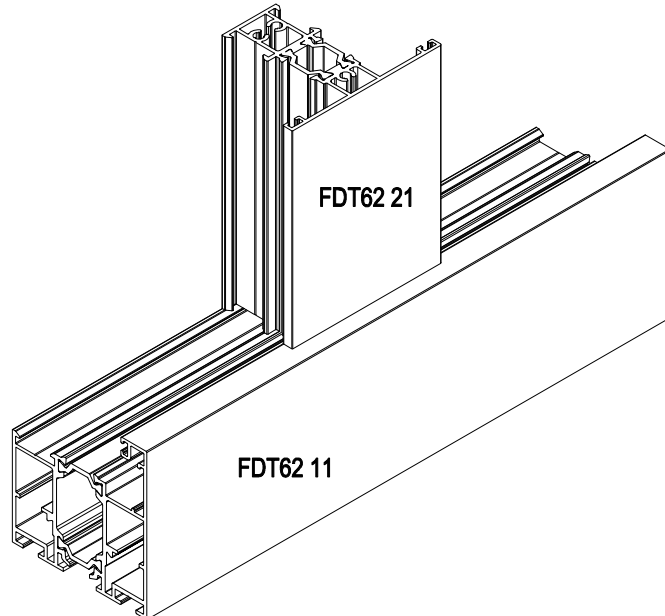
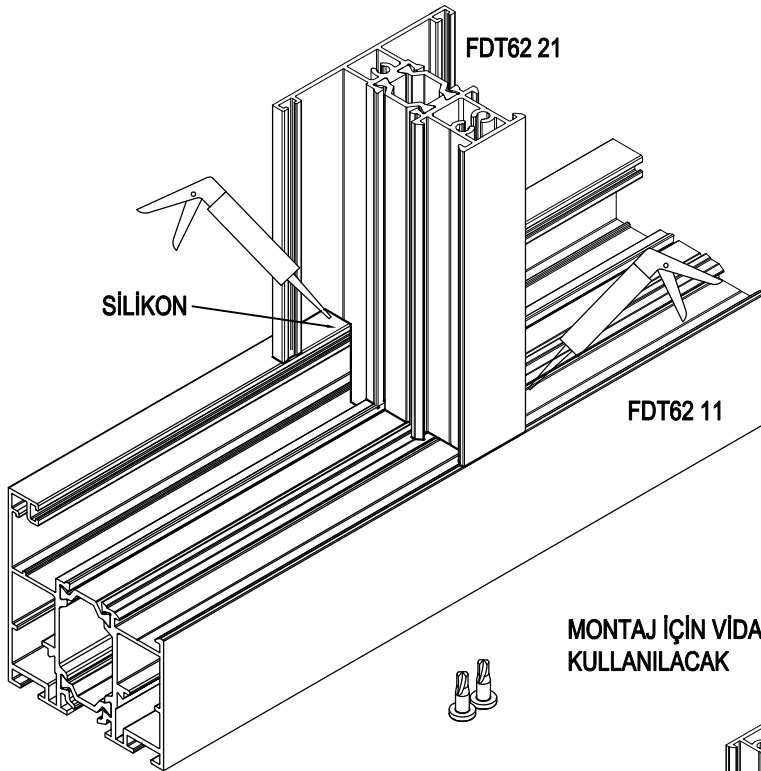
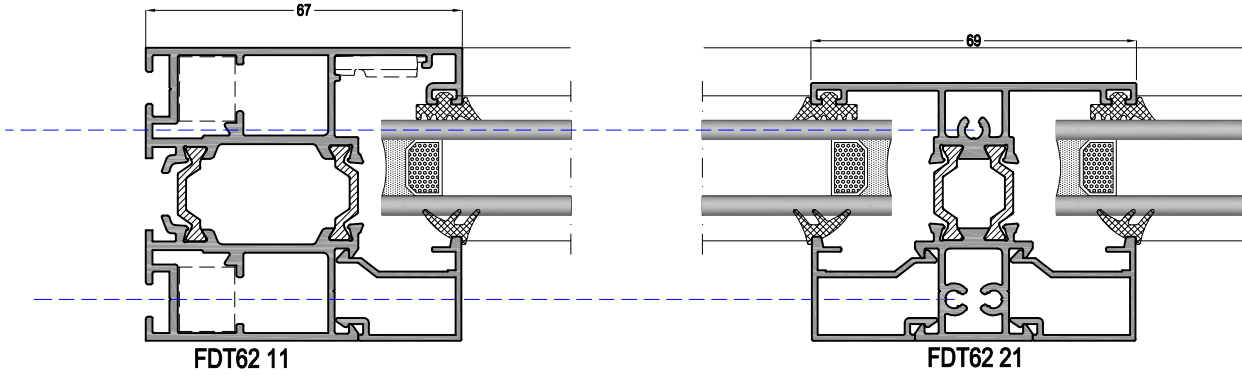
YALITIMLI KATLANIR KAPI SİSTEMİ
THERMAL FOLDING DOOR SYSTEM

ASISTAL



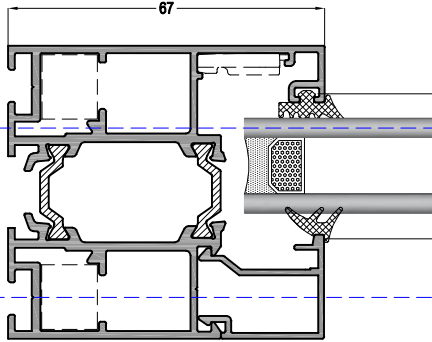
KANAT İÇİ ORTA KAYIT MONTAJI : FDT62 11 + FDT62 21

TRANSOM / MULLION PROFILE ASSEMBLY INSIDE THE SASH: FDT62 + FDT62 21

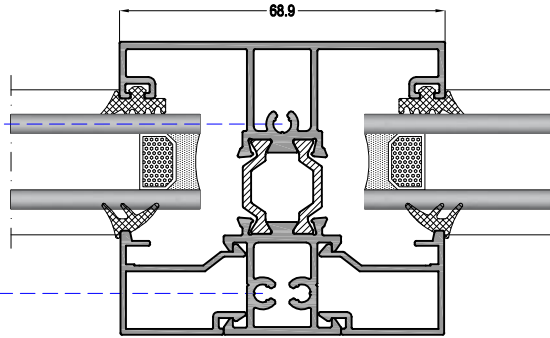


KANAT İÇİ ORTA KAYIT MONTAJI : FDT62 11 + FDT62 22

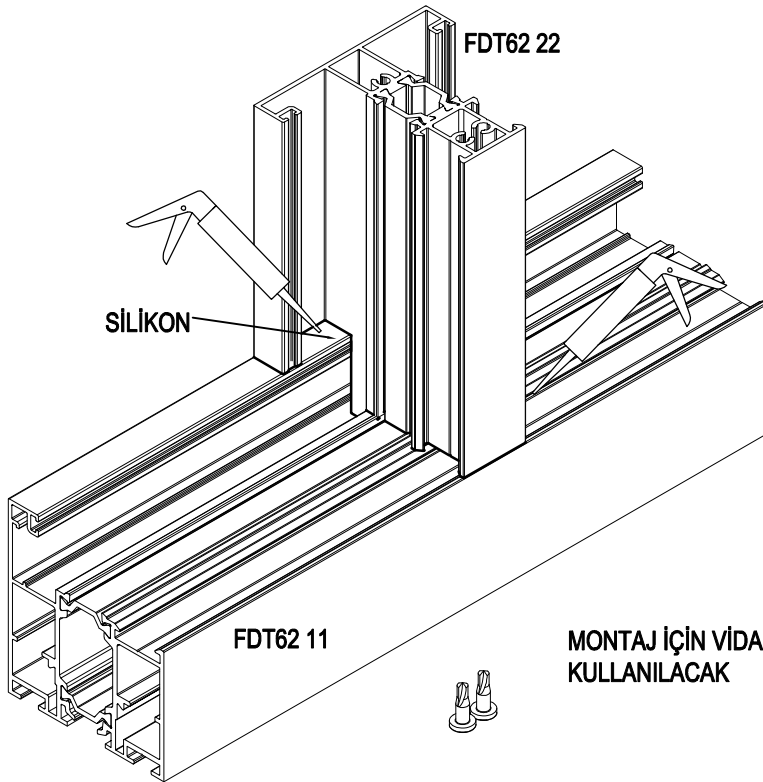
TRANSOM / MULLION PROFILE ASSEMBLY INSIDE THE SASH: FDT62 11 + FDT62 22



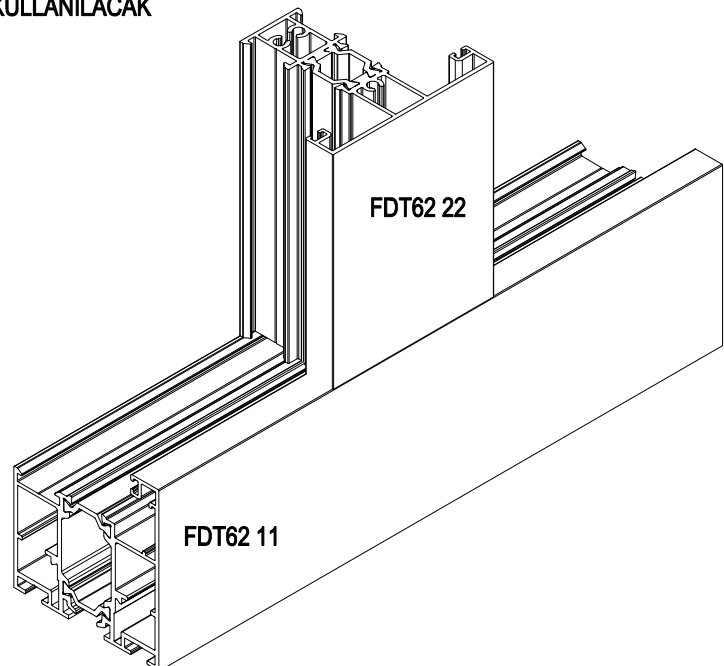
FDT62 11



FDT62 22

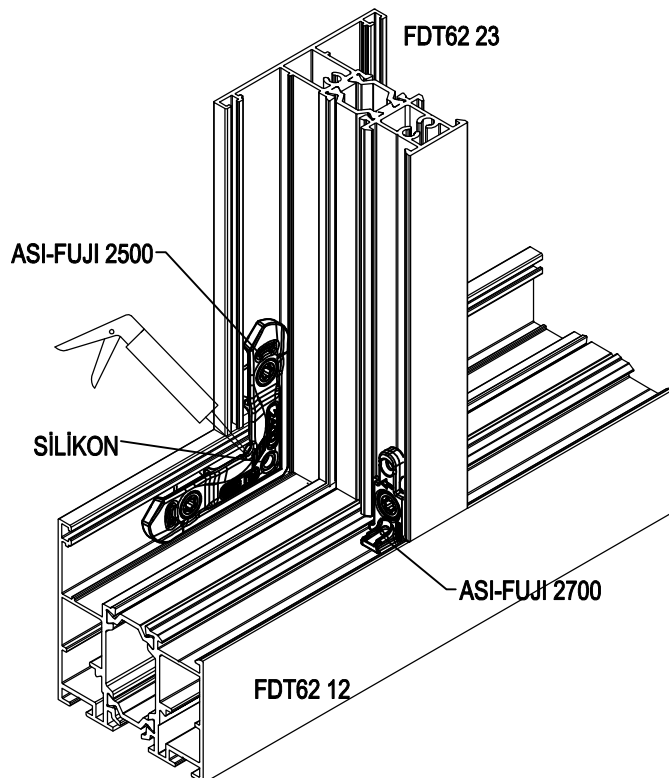
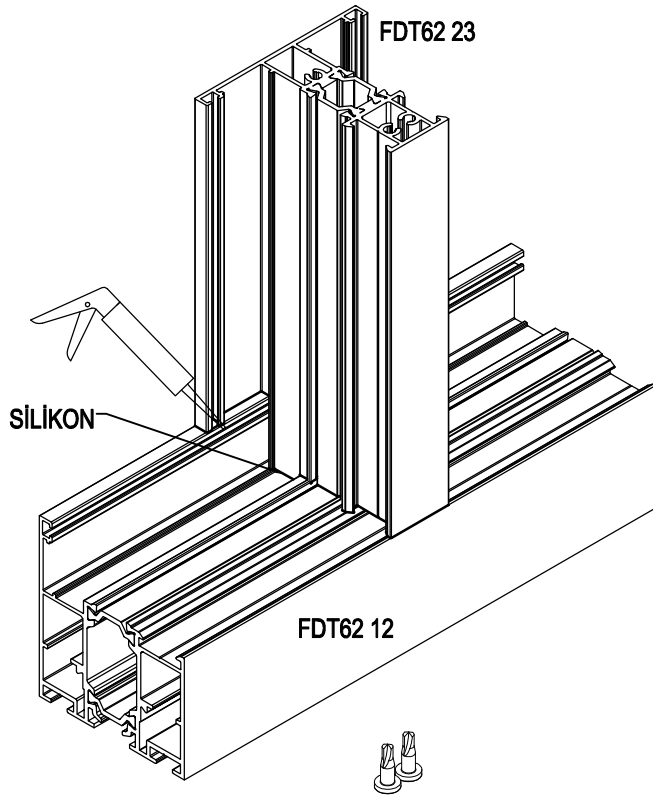
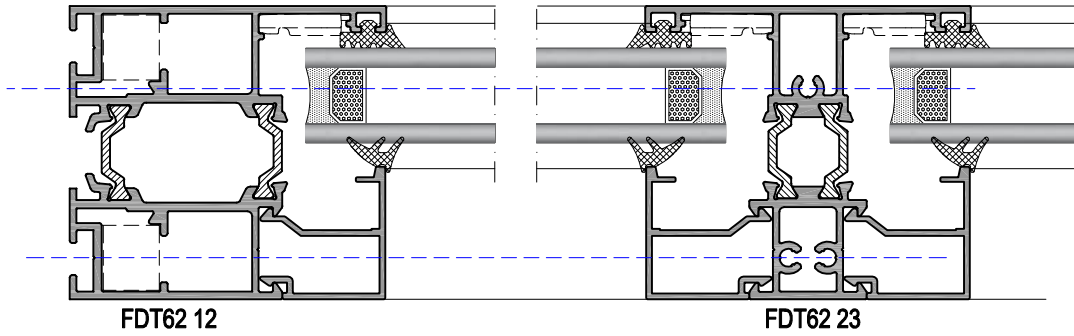


MONTAJ İÇİN VİDA
KULLANILACAK



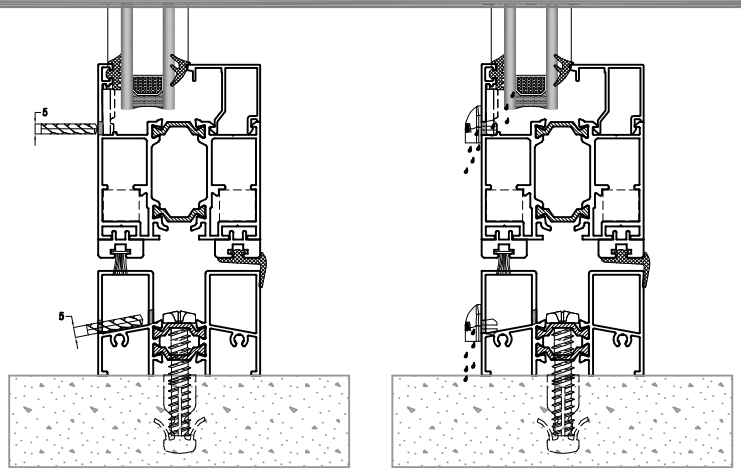
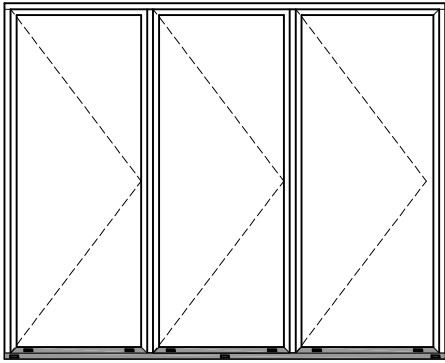
KANAT İÇİ ORTA KAYIT MONTAJI : FDT62 12

TRANSOM / MULLION PROFILE ASSEMBLY INSIDE THE SASH: FDT62 12

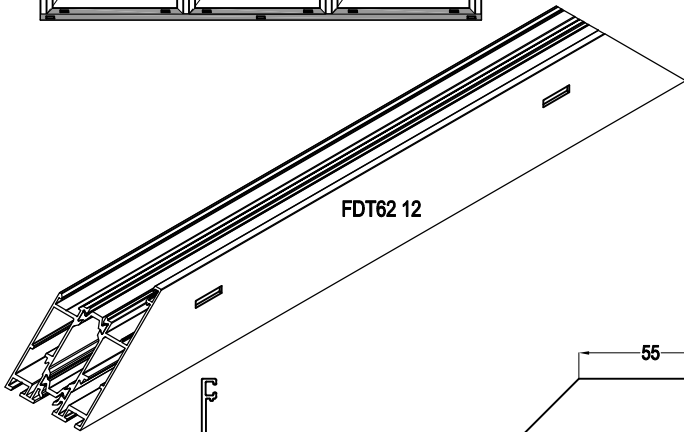


FDT62

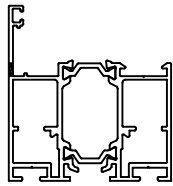
YALITIMLI KATLANIR KAPI SİSTEMİ
THERMAL FOLDING DOOR SYSTEM



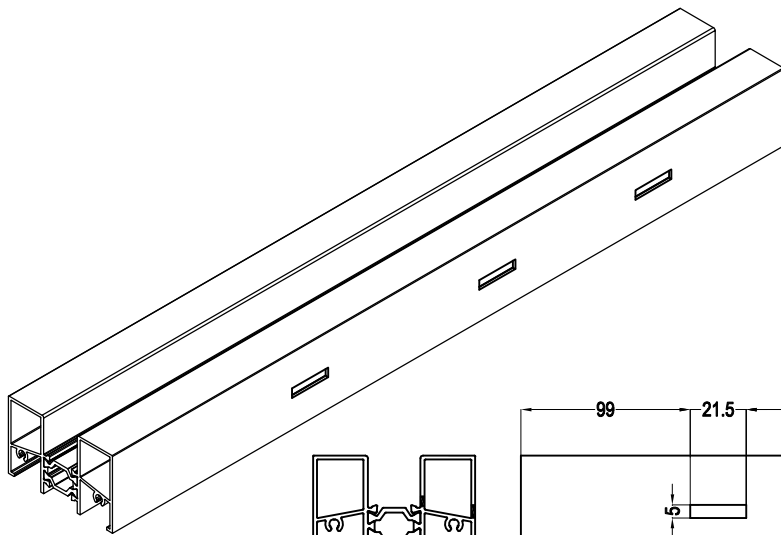
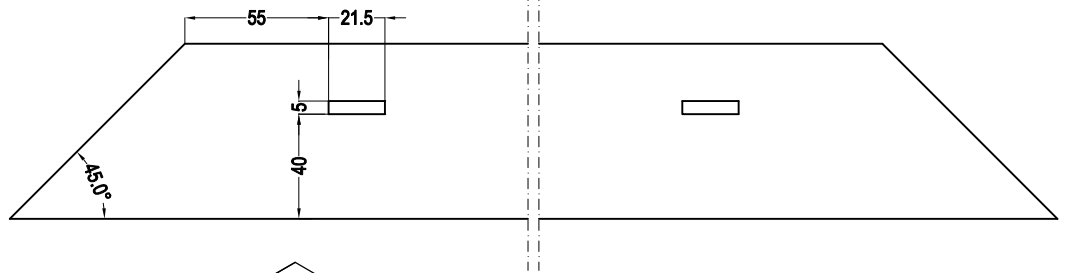
ASI-WDC 01



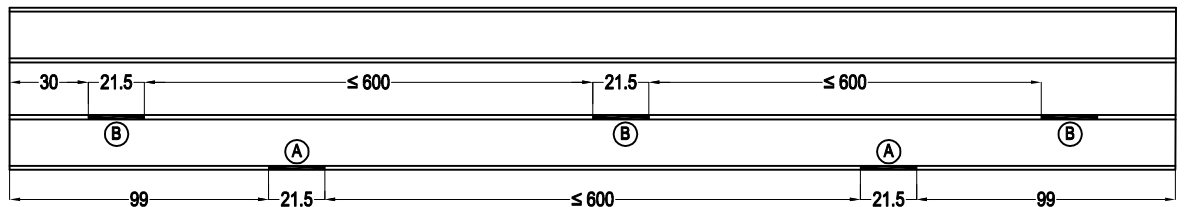
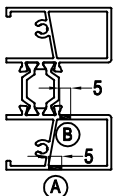
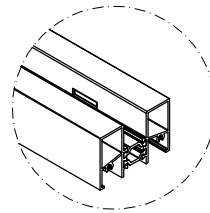
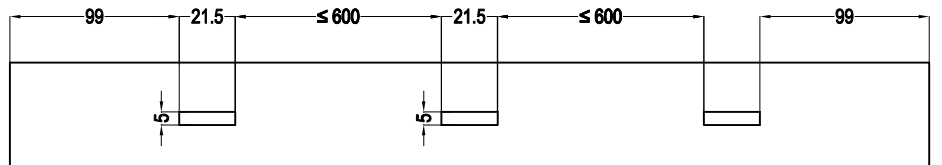
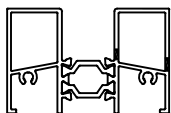
FDT62 12



FDT62 12



FDT62 03



FDT62

YALITIMLI KATLANIR KAPI SİSTEMİ
THERMAL FOLDING DOOR SYSTEM

ASISTAL

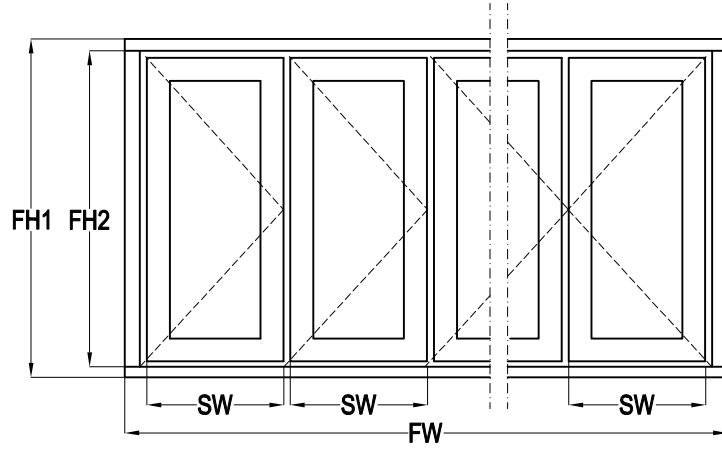
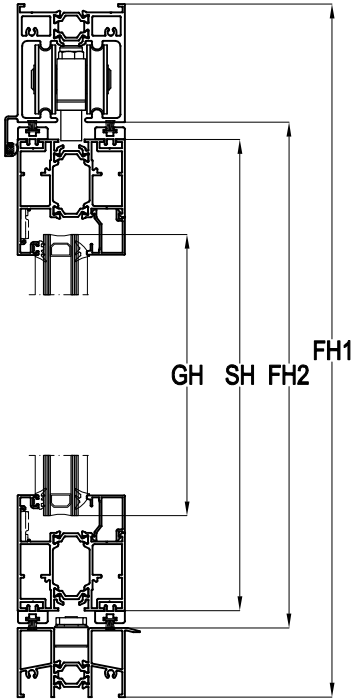
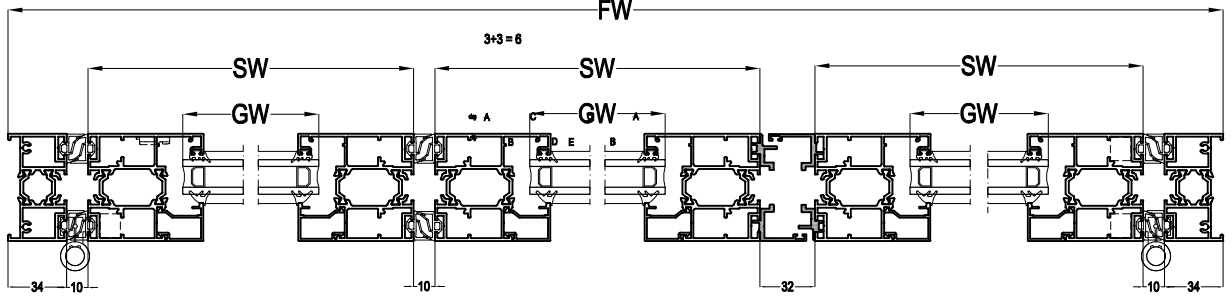
KESİM VE MONTAJ LİSTESİ
CUTTING AND ASSEMBLY LIST

FDT62

YALITIMLI KATLANIR KAPI SİSTEMİ
THERMAL FOLDING DOOR SYSTEM



İSPANYOLET KİLİTLEME AÇILIM TİPİ İÇİN KESİM ÖLÇÜLERİ CUTTING SIZES FOR MULTI POINT LOCKING



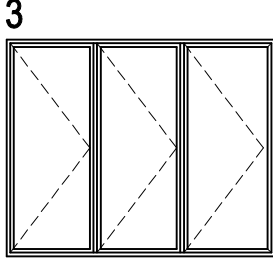
KASA PROFİLİ <i>Frame Profile</i>	KANAT PROFİLİ <i>Sash Profile</i>	KESİM ÖLÇÜLERİ <i>Cutting Sizes</i>
FDT62 01 FDT62 02 FDT62 03		$SW = \frac{FW - 100\text{mm} - (10\text{mm} \times SP)}{SP}$
FDT62 04 FDT62 05 FDT62 06 FDT62 07	FDT62 11 FDT62 12	GW=SW-100 mm SH=FH1-132,5 mm GH=SH-100 mm FH2=FH1-108,5mm

FW= KASA GENİŞLİĞİ / FRAME WIDTH
SW= KANAT GENİŞLİĞİ / SASH WIDTH
GW= CAM GENİŞLİĞİ / GLASS WIDTH
SP = KANAT ADEDİ / SASH PIECES

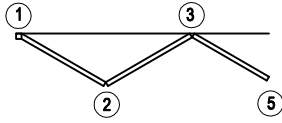
FH= KASA YÜKSEKLİĞİ / FRAME HEIGHT
SH= KANAT YÜKSEKLİĞİ / SASH HEIGHT
GH= CAM YÜKSEKLİĞİ / GLASS HEIGHT

İSPANYOLET KİLİTLEMeye GÖRE AKSESUAR TABLOSU ACCESSORIES TABLE FOR MULTI POINT LOCK

3+0 KANAT AKSESUAR DETAYLARI 3+0 SASH ACCESSORIES DETAILS

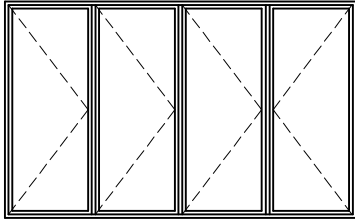


DIŞ
İÇ

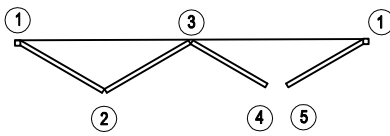


3+1 KANAT AKSESUAR DETAYLARI 3+1 SASH ACCESSORIES DETAILS

3+1=4



DIŞ
İÇ



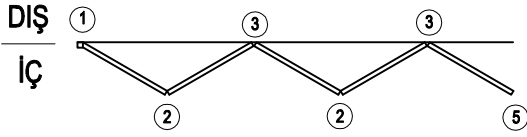
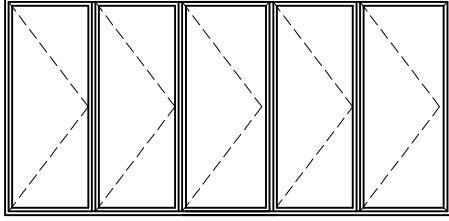
AKSESUAR ACCESSORIES	SİSTEM KODU SYSTEM CODE	ADET PCS	AKSESUAR ACCESSORIES	SİSTEM KODU SYSTEM CODE	ADET PCS
	FDA-H 003	10		FDA-GB 01	1
	FDA-H 002	1		FDA-B 01	1
	FDA-H 001	1		FDA-K 01	1
	FDA-H 004	1		ASI-FUJII 2000	12
	ASI-DH 002	1		ASI-PB 1214	24
	ASHLS 314890	1		ASI-RP 314750	3
	ASHLS 301645	1		ASI-RS 311100	3
	ASI-BRL 90S	1			

AKSESUAR ACCESSORIES	SİSTEM KODU SYSTEM CODE	ADET PCS	AKSESUAR ACCESSORIES	SİSTEM KODU SYSTEM CODE	ADET PCS
	FDA-H 003	14		FDA-GB 01	1
	FDA-H 002	1		FDA-B 01	2
	FDA-H 001	1		FDA-K 01	1
	FDA-H 004	1		FDA-B 02	2
	ASI-DH 002	1		ASI-FUJII 2000	16
	ASHLS 314890	1		ASI-PB 1214	32
	ASHLS 301645	1		ASI-RP 314750	3
	ASI-BRL 90S	1		ASI-RS 311100	3

İSPANYOLET KİLİTLEMeye GÖRE AKSESUAR TABLOSU ACCESSORIES TABLE FOR MULTI POINT LOCK

5+0 KANAT AKSESUAR DETAYLARI 5+0 SASH ACCESSORIES DETAILS

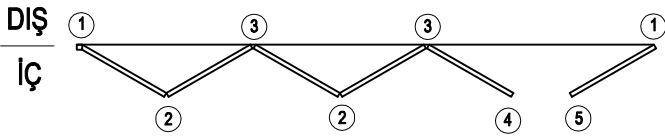
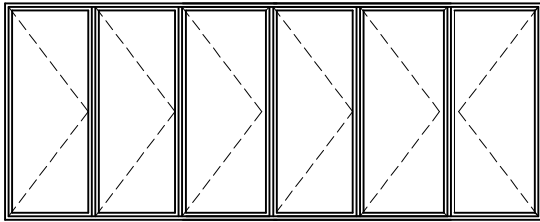
5



AKSESUAR ACCESSORIES	SİSTEM KODU SYSTEM CODE	ADET PCS	AKSESUAR ACCESSORIES	SİSTEM KODU SYSTEM CODE	ADET PCS
	FDA-H 003	16		FDA-GB 01	2
	FDA-H 002	2		FDA-B 01	2
	FDA-H 001	2		FDA-K 01	2
	FDA-H 004	2		ASI-FUJII 2000	20
	ASI-DH 002	1		ASI-PB 1214	40
	ASI-LS 314890	1		ASI-RP 314750	3
	ASI-LS 301645	1		ASI-RS 311100	3
	ASI-BRL 90S	1			

5+1 KANAT AKSESUAR DETAYLARI 5+1 SASH ACCESSORIES DETAILS

5+1=6

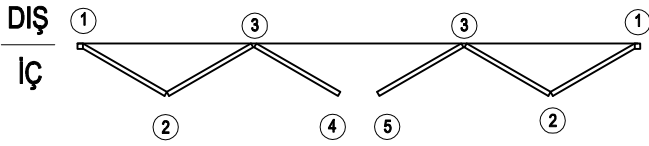
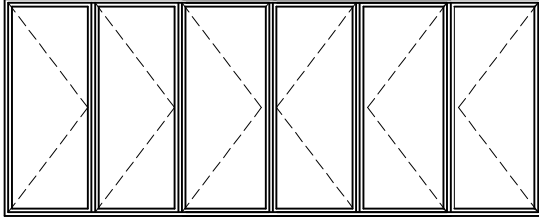


AKSESUAR ACCESSORIES	SİSTEM KODU SYSTEM CODE	ADET PCS	AKSESUAR ACCESSORIES	SİSTEM KODU SYSTEM CODE	ADET PCS
	FDA-H 003	20		FDA-GB 01	2
	FDA-H 002	2		FDA-B 01	3
	FDA-H 001	2		FDA-K 01	2
	FDA-H 004	2		FDA-B 02	2
	ASI-DH 002	1		ASI-FUJII 2000	24
	ASI-LS 314890	1		ASI-PB 1214	48
	ASI-LS 301645	1		ASI-RP 314750	3
	ASI-BRL 90S	1		ASI-RS 311100	3

İSPANYOLET KİLİTLEMeye GÖRE AKSESUAR TABLOSU ACCESSORIES TABLE FOR MULTI POINT LOCK

3+3 KANAT AKSESUAR DETAYLARI 3+3 SASH ACCESSORIES DETAILS

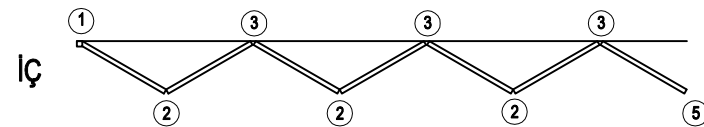
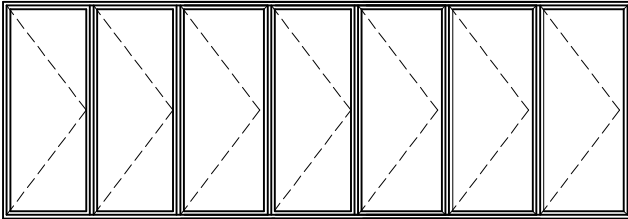
3+3=6



AKSESUAR ACCESSORIES	SİSTEM KODU SYSTEM CODE	ADET PCS	AKSESUAR ACCESSORIES	SİSTEM KODU SYSTEM CODE	ADET PCS
	FDA-H 003	20		FDA-GB 01	2
	FDA-H 002	2		FDA-B 01	3
	FDA-H 001	2		FDA-K 01	2
	FDA-H 004	2		FDA-B 02	4
	ASI-DH 002	1		ASI-FUJI 2000	24
	ASI-LS 314890	1		ASI-PB 1214	48
	ASI-LS 301645	1		ASI-RP 314750	3
	ASI-BRL 90S	1		ASI-RS 311100	3

7+0 KANAT AKSESUAR DETAYLARI 7+0 SASH ACCESSORIES DETAILS

7



AKSESUAR ACCESSORIES	SİSTEM KODU SYSTEM CODE	ADET PCS	AKSESUAR ACCESSORIES	SİSTEM KODU SYSTEM CODE	ADET PCS
	FDA-H 003	22		FDA-GB 01	3
	FDA-H 002	3		FDA-B 01	3
	FDA-H 001	3		FDA-K 01	3
	FDA-H 004	3		ASI-FUJI 2000	28
	ASI-DH 002	1		ASI-PB 1214	56
	ASI-LS 314890	1		ASI-RP 314750	3
	ASI-LS 301645	1		ASI-RS 311100	3
	ASI-BRL 90S	1			

FDT62

YALITIMLI KATLANIR KAPI SİSTEMİ
THERMAL FOLDING DOOR SYSTEM

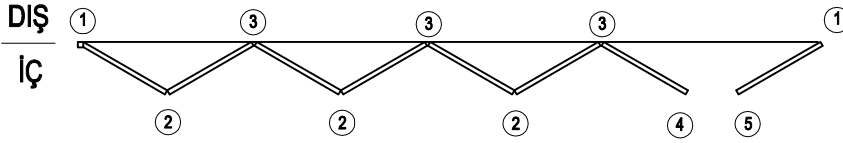
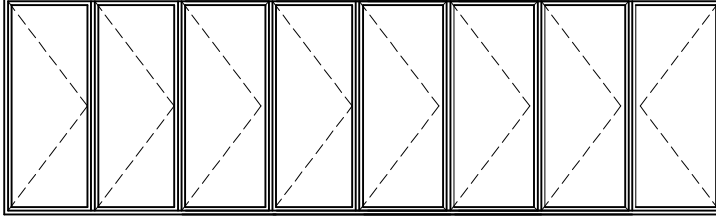
ASISTAL

İSPANYOLET KİLİTLEMeye GÖRE AKSESUAR TABLOSU ACCESSORIES TABLE FOR MULTI POINT LOCK

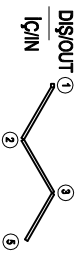
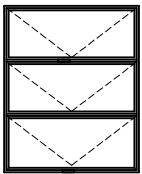
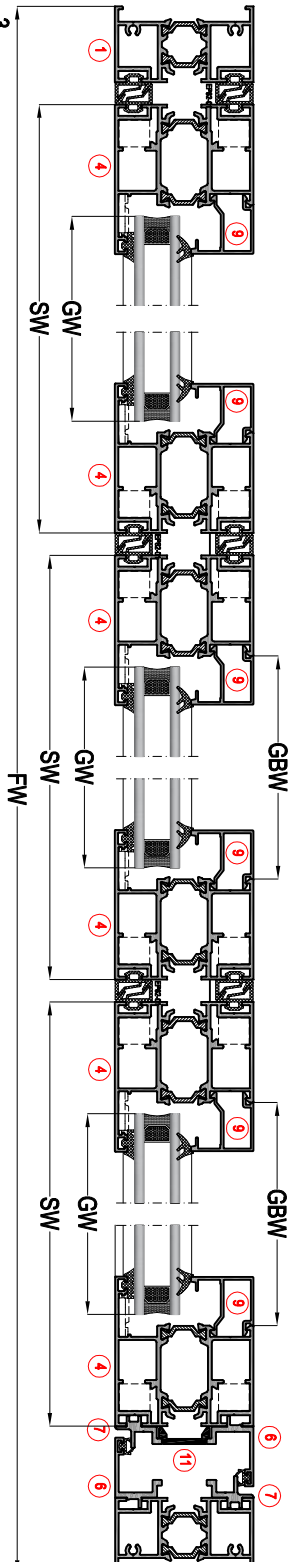
7+1 KANAT AKSESUAR DETAYLARI

7+1 SASH ACCESSORIES DETAILS

7+1=8



AKSESUAR ACCESSORIES	SİSTEM KODU SYSTEM CODE	ADET PCS	AKSESUAR ACCESSORIES	SİSTEM KODU SYSTEM CODE	ADET PCS
	FDA-H 003	26		FDA-GB 01	3
	FDA-H 002	3		FDA-B 01	4
	FDA-H 001	3		FDA-K 01	3
	FDA-H 004	3		FDA-B 02	2
	ASI-DH 002	1		ASI-FUJII 2000	32
	ASI-LS 314890	1		ASI-PB 1214	64
	ASI-LS 301645	1		ASI-RP 314750	3
	ASI-BRL 90S	1		ASI-RS 311100	3

3+0 KANAT KANAT KESİM ÖLÇÜLERİ
3+0 SASH CUTTING LIST
İSPANYOLET KILITLEME AÇILIM TIPI İÇİN KESİM ÖLÇÜLERİ
CUTTING SIZES FOR MULTI POINT LOCKING

PROFİLER / PROFILES

NO / Number	ADET / Unit	KOD / Code	PROFİL ÇİZİMİ / Drawing	PROFİL TANIMI / Description	KESİM ÖLÇÜSÜ / Cutting Dimensions
1	2	FDTR2 01		DÜŞEY KASA PROFİLİ / Vertical Frame Profile	FH-108,5
2	1	FDTR2 02		ÜST YATAY KASA PROFİLİ / Top Horizontal Frame Profile	FW
3	1	FDTR2 06		ALT YATAY KASA PROFİLİ / Bottom Horizontal Frame Profile	FW
4	6	FDTR2 11		DÜŞEY KANAT PROFİLİ / Vertical Frame Profile	SH-FH-132,5
5	6	FDTR2 11		YATAY KANAT PROFİLİ / Horizontal Frame Profile	SH-FW-100-100(3)28
6	2	FDTR2 43		KAPLI ADAPTOR PROFİLİ / Door Adapter Profile	SH+14
7	2	FDTR2 44		KAPLI ADAPTOR PROFİLİ / Door Adapter Profile	SH+14
8	12	FDTR2 42		KIL FİTİL ADAPTOR PRO. / Brush Adapter Profile	SW
9	6	11-020		DÜŞEY CAM ÇITASI / Vertical Glazing Bead	GBH-SH-133,7
10	6	11-020		YATAY CAM ÇITASI / Horizontal Glazing Bead	GBW-SW-90
11	1	12-92		TÜ PROFİLİ / Connecting Rod	SH-290

CAM KESİM ÖLÇÜLERİ / GLASS CUTTING SIZES

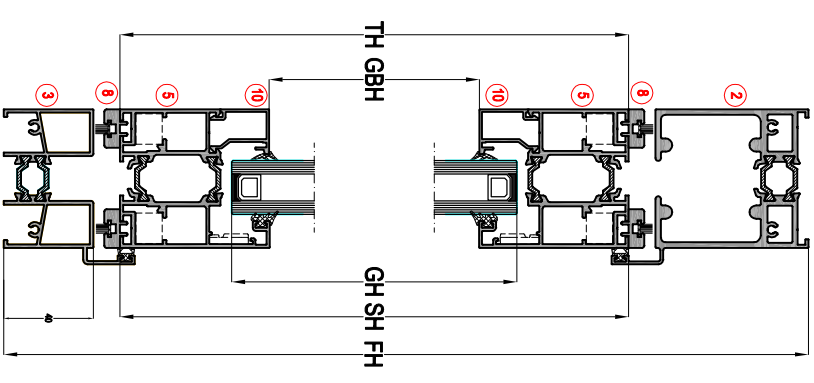
KOD / Code	TANIMI / Description	KESİM ÖLÇÜSÜ / Cutting Dimensions
GW	CAM GENİŞLİK / Sash Glass Width	GW-SW-100
GH	CAM YÜKSEKLİK / Sash Glass Height	GH-SH-100

FİTİLLER / GASKETS

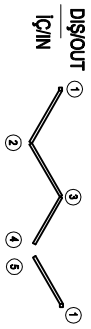
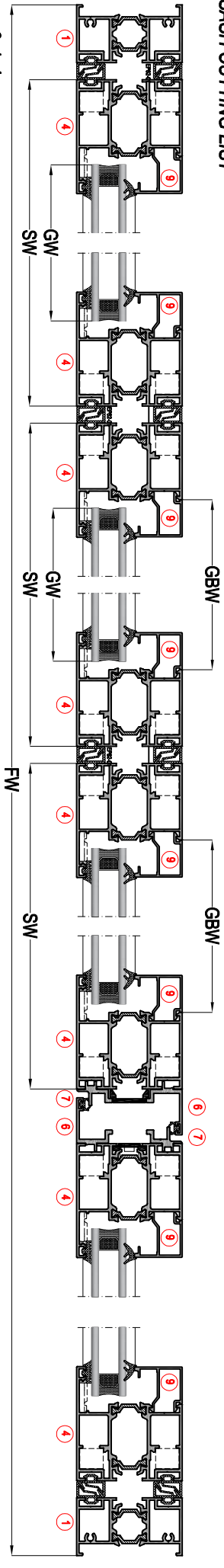
MİKTAR / Unit	KOD / Code	PROFİL ÇİZİMİ / Drawing	PROFİL TANIMI / Description	KESİM ÖLÇÜSÜ / Cutting Dimensions
mt	EP2-01		İÇ CAM FİTİLİ / Inner Glazing Gasket	(6)GW+(6)GH
mt	EP1-01		DIŞ CAM FİTİLİ / Outer Glazing Gasket	(6)GW+(6)GH
mt	EP3-03		KANAT BİMLİ FİTİLİ / Sash Gasket	2XSH+2XFW
mt	KF 67-50		FİRÇA FİTİLİ / Brush Gasket - 5,5mm	12XSW
mt	EP82-01		ORTA BİMLİ FİTİLİ / Gasket For Open Joint	12XSH

AKSESUARLAR / ACCESSORIES

MİKTAR / Pcs	KOD / Code	PROFİL ÇİZİMİ / Drawing	AKSESUAR TANIMI / Description	KESİM ÖLÇÜSÜ / Cutting Dimensions
24 Adet / Pcs	ASL-PB 1214		PİVALİ KOŞE BAĞLANTI / Corner Joint	
12 Adet / Pcs	ASL-FULI 2000		AVARU KOŞE GÖVDESİ / Corner Alignment	
10 Adet / Pcs	FDA-H 003		ARA MENTEŞE / Standard Hinge	
1 Adet / Pcs	FDA-H 004		ÇEKME KOL / Pull Handle	
1 Adet / Pcs	FDA-H 002		ALT MENTEŞE / Bottom Hinge	
1 Adet / Pcs	FDA-H 001		ÜST MENTEŞE / Top Hinge	
1 Adet / Pcs	ASL-DH 002		KAPLI KOLU / Door Handle	
1 Adet / Pcs	ASL-S 314800		İSPANYOLET KILITLEME / Milini P. Lock With Key	
1 Adet / Pcs	ASL-S 307645		İSPANYOLET KILIT KARŞILIĞI / Lock SH For Milini P.	
1 Adet / Pcs	ASL-BRL 90S		90 LİK SİLİNETRİK BAREL / Symetric Cylinder 90	
1 Adet / Pcs	FDA-GB 01		ÇİFT YÖNLÜ KILITLEME / Gear Box - Two Way	
1 Adet / Pcs	FDA-B 01		SURUGU KILITLEME / Folding Bolt	
1 Adet / Pcs	FDA-K 01		ÇİFT YÖNLÜ KILITLEME KOLU / Gear Box Handle	
3 Adet / Pcs	ASL-314750		TÜ PİMİ / Rod Profile Locking	
3 Adet / Pcs	ASL-311100		TÜ PİMİ KARŞILIK / Rod Profile Strike	
1 Adet / Pcs	12-41		TÜ PROFİLİ / Espag Rod	TH-SH-126
1 Adet / Pcs	12-41		TÜ PROFİLİ / Espag Rod	TH2-SH-HH-126
X Adet / Pcs	FDA-M 01		ÜST KASA MONTAJ PARÇASI / Frame Fixed Part	X-FW/300mm



3+1 KANAT KANAT KESİM ÖLÇÜLERİ
3+1 SASH CUTTING LIST

 İSPANYOLET KILITLEME AÇILIM TIPI İÇİN KESİM ÖLÇÜLERİ
 CUTTING SIZES FOR MULTI POINT LOCKING

PROFİLLER / PROFILES

NO / Number	ADET / Unit	KOD / Code	PROFİL ÇİZİMİ / Drawing	PROFİL TANIMI / Description	KESİM ÖLÇÜSÜ / Cutting Dimensions
1	2	FDTR2 01		DÜŞEY KASA PROFİLİ / Vertical Frame Profile	FH-108,5
2	1	FDTR2 02		ÜST YATIRY KASA PROFİLİ / Top Horizontal Frame Profile	FW
3	1	FDTR2 06		ALT YATIRY KASA PROFİLİ / Bottom Horizontal Frame Profile	FW
4	8	FDTR2 11		DÜŞEY KANAT PROFİLİ / Vertical Frame Profile	SH-FH-132,5
5	8	FDTR2 11		YATIRY KANAT PROFİLİ / Horizontal Frame Profile	SH-FW-100-(10X)X
6	2	FDTR2 43		KAPLI ADAPTOR PROFİLİ / Door Adapter Profile	SH+14
7	2	FDTR2 44		KAPLI ADAPTOR PROFİLİ / Door Adapter Profile	SH+14
8	16	FDTR2 42		KILITL ADAPTOR PRO. / Brush Adapter Profile	SW
9	8	11-020		DÜŞEY CAM ÇITASI / Vertical Glazing Bead	GBH-SH-133,7
10	8	11-020		YATIRY CAM ÇITASI / Horizontal Glazing Bead	GBW-SW-90
11	1	12-92		TU PROFİLİ / Connecting Rod	SH-250

CAM KESİM ÖLÇÜLERİ / GLASS CUTTING SIZES

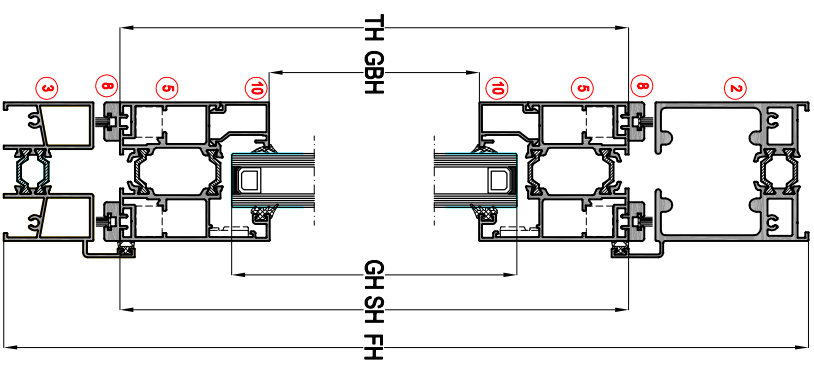
KOD / Code	TANIMI / Description	KESİM ÖLÇÜSÜ / Cutting Dimensions
GW	CAM GENİŞLİK / Sash Glass Width	GW-SW-100
GH	CAM YÜKSEKLİK / Sash Glass Height	GH-SH-100

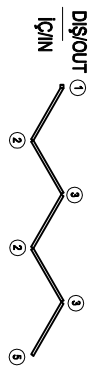
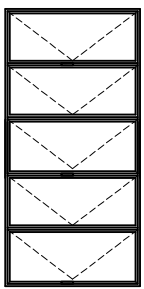
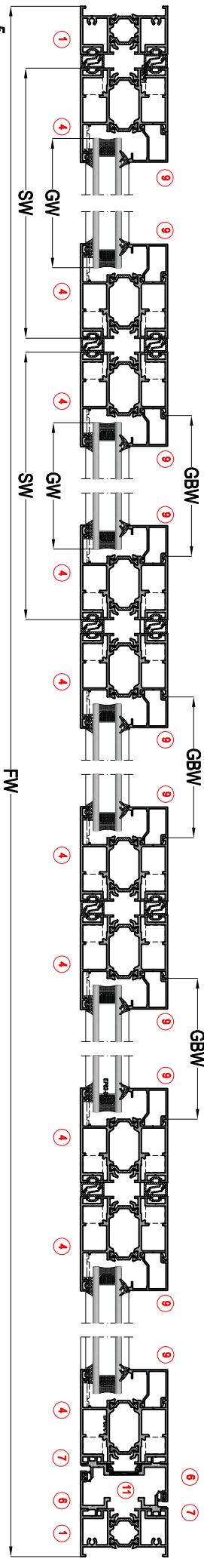
FİTLER / GASKETS

MİKTAR / Unit	KOD / Code	PROFİL ÇİZİMİ / Drawing	PROFİL TANIMI / Description	KESİM ÖLÇÜSÜ / Cutting Dimensions
mtl	EP2-01		İÇ CAM FİTİLİ / Inner Glazing Gasket	(8XGW)X(8XGH)
mtl	EP1-01		DİŞ CAM FİTİLİ / Outer Glazing Gasket	(8XGW)X(8XGH)
mtl	EP3-03		KANAT BİMLİ FİTİLİ / Sash Gasket	2XSH+2XFW
mtl	İF 67-550		FİRÇA FİTİLİ / Brush Gasket - 5,5mm	16XSW
mtl	EP2-01		ORTA BİMLİ FİTİLİ / Gasket For Open Joint	16XSH

AKSESUARLAR / ACCESSORIES

MİKTAR / Pcs	ASİ-İB 1214	PROFİL ÇİZİMİ / Drawing	AKSESUARLAR / ACCESSORIES	KESİM ÖLÇÜSÜ / Cutting Dimensions
16 Adet / Pcs	ASİ-FULU 2000		PİLLİ KÖŞE BAĞLANTI / Corner Joint	
14 Adet / Pcs	FDAA-H 003		AYRIK KÖŞE GÖNYESİ / Corner Alignment	
1 Adet / Pcs	FDAA-H 004		AYRIK MENTEŞE / Standard Hinge	
1 Adet / Pcs	FDAA-H 002		ÇEKME KOL / Pull Handle	
1 Adet / Pcs	FDAA-H 001		ALT MENTEŞE / Bottom Hinge	
1 Adet / Pcs	ASİ-DH 002		ÜST MENTEŞE / Top Hinge	
1 Adet / Pcs	ASİ-DH 002		KAPLI KOLU / Door Handle	
1 Adet / Pcs	ASİ-SL 31480		İSPANYOLET KILITLEME / Multi P. Lock With Key	
1 Adet / Pcs	ASİ-SL 301645		İSPANYOLET KILIT KARSILIĞI / Lock Str. For Multi P.	
1 Adet / Pcs	ASİ-BRL 90S		90LUK SİLİMETRİK BAREL / Symetric Cylinder 90	
1 Adet / Pcs	FDAA-GB 01		ÇİFT YÖNLÜ KILITLEME / Gear Box - Two Way	
2 Adet / Pcs	FDAA-B 01		SURGU KILITLEME / Folding Bolt	
2 Adet / Pcs	FDAA-B 02		SURGU KILITLEME KOLU / Folding Bolt Handle	
1 Adet / Pcs	FDAA-K 01		ÇİFT YÖNLÜ KILITLEME KOLU / Gear Box Handle	
3 Adet / Pcs	ASİ-314750		TU PİMİ / Rod Profile Locking	
3 Adet / Pcs	ASİ-311100		TU PİMİ KARSILIK / Rod Profile Shrink	
1 Adet / Pcs	12-41		TU PROFİLİ / Espag Rod	TH1-SH-126
1 Adet / Pcs	12-41		TU PROFİLİ / Espag Rod	TH2-SH-HH-126
1 Adet / Pcs	12-41		TU PROFİLİ / Espag Rod	SH
X Adet / Pcs	FDAAM 01		ÜST KASA MONTAJ PARÇASI / Frame Fixed Part	X-FW/300mm



5+0 KANAT KANAT KESİM ÖLÇÜLERİ
5+0 SASH CUTTING LIST
İSPANYOLET KILITLEME AÇILIM TIPI İÇİN KESİM ÖLÇÜLERİ
CUTTING SIZES FOR MULTI POINT LOCKING

PROFİLLER / PROFILES

NO / Number	ADET / Unit	KOD / Code	PROFİL ÇİZİMİ / Drawing	PROFİL TANIMI / Description	KESİM ÖLÇÜSÜ / Cutting Dimensions
1	2	FDTR2 01		DÜŞEY KASA PROFİLİ / Vertical Frame Profile	FH-108,5
2	1	FDTR2 02		ÜST YATIRY KASA PROFİLİ / Top Horizontal Frame Profile	FW
3	1	FDTR2 06		ALT YATIRY KASA PROFİLİ / Bottom Horizontal Frame Profile	FW
4	10	FDTR2 11		DÜŞEY KANAT PROFİLİ / Vertical Frame Profile	SH-FH-132,5
5	10	FDTR2 11		YATIRY KANAT PROFİLİ / Horizontal Frame Profile	SH-FW-100-10(X)S
6	2	FDTR2 43		KAPLI ADAPTOR PROFİLİ / Door Adapter Profile	SH+14
7	2	FDTR2 44		KAPLI ADAPTOR PROFİLİ / Door Adapter Profile	SH+14
8	20	FDTR2 42		KIL. FİTL. ADAPTOR PRO. / Brush Adapter Profile	SW
9	10	11-020		DÜŞEY CAM ÇITASI / Vertical Glazing Bead	GBH-SH-133,7
10	10	11-020		YATIRY CAM ÇITASI / Horizontal Glazing Bead	GBW-SW-90
11	1	12-82		TU PROFİLİ / Connecting Rod	SH-250

CAM KESİM ÖLÇÜLERİ / GLASS CUTTING SIZES

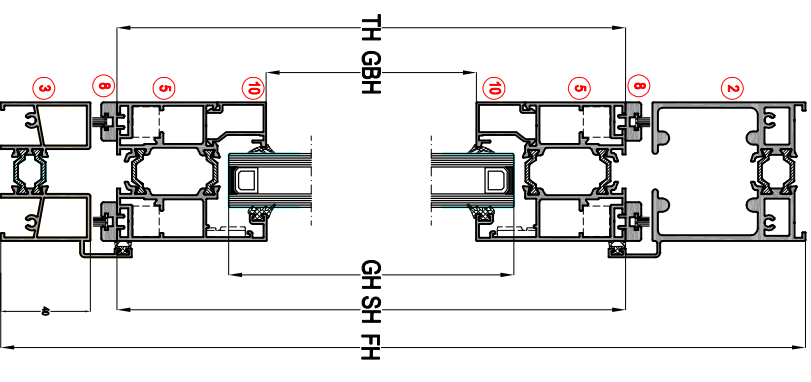
KOD / Code	TANIMI / Description	KESİM ÖLÇÜSÜ / Cutting Dimensions
GW	CAM GENİŞLİK / Sash Glass Width	GW-SW-100
GH	CAM YÜKSEKLİK / Sash Glass Height	GH-SH-100

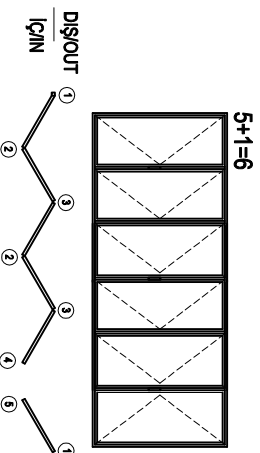
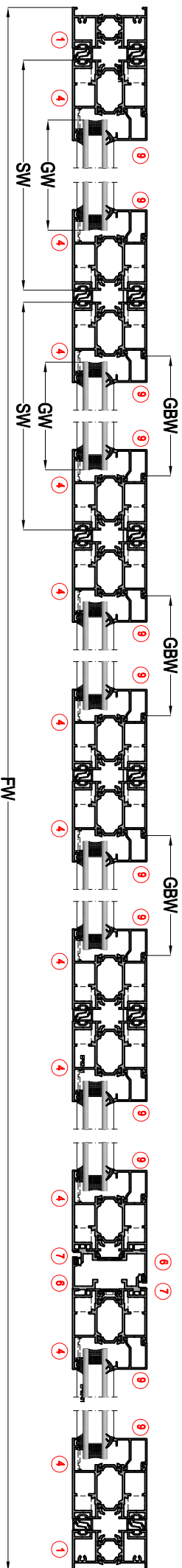
FİTİLLER / GASKETS

MİKTAR / Unit	KOD / Code	PROFİL ÇİZİMİ / Drawing	PROFİL TANIMI / Description	KESİM ÖLÇÜSÜ / Cutting Dimensions
mt	EP2-01		İÇ CAM FİTİLİ / Inner Glazing Gasket	(10XGW)X(10XGH)
mt	EP1-01		DİŞ CAM FİTİLİ / Outer Glazing Gasket	(10XGW)X(10XGH)
mt	EP3-03		KANAT BİMLİ FİTİLİ / Sash Gasket	2XS+2XFW
mt	KF 67-50		FİRÇA FİTİLİ / Brush Gasket - 5,5mm	20XSW
mt	EP82-01		ORTA BİMLİ FİTİLİ / Gasket For Open Joint	20XSH

AKSESUARLAR / ACCESSORIES

MİKTAR / Pcs	KOD / Code	PROFİL ÇİZİMİ / Drawing	AKSESUAR TANIMI / Description	KESİM ÖLÇÜSÜ / Cutting Dimensions
40 Adet / Pcs	ASL-PB 1214		PİVALİ KOŞE BAĞLANTI / Corner Joint	
20 Adet / Pcs	ASL-FULI 2000		AVARU KOŞE GÖVRESİ / Corner Alignment	
16 Adet / Pcs	FDAA-H 003		ARA MENTEŞE / Standard Hinge	
2 Adet / Pcs	FDAA-H 004		ÇEKME KOL / Pull Handle	
2 Adet / Pcs	FDAA-H 002		ALT MENTEŞE / Bottom Hinge	
2 Adet / Pcs	FDAA-H 001		ÜST MENTEŞE / Top Hinge	
1 Adet / Pcs	ASL-DH 002		KAPLI KOLU / Door Handle	
1 Adet / Pcs	ASL-S 314800		İSPANYOLET KILITLEME / Milini P. Lock With Key	
1 Adet / Pcs	ASL-S 301845		İSPANYOLET KILIT KARŞILIĞI / Lock SH For Milini P.	
1 Adet / Pcs	ASL-BRL 90S		90 LİK SİLİMETRİK BAREL / Symetric Cylinder 90	
2 Adet / Pcs	FDA-GB 01		ÇİFT YÖNLÜ KILITLEME / Gear Box - Two Way	
2 Adet / Pcs	FDA-B 01		SURUGU KILITLEME / Folding Bolt	
2 Adet / Pcs	FDA-K 01		ÇİFT YÖNLÜ KILITLEME KOLU / Gear Box Handle	
3 Adet / Pcs	ASL-314750		TU PİMİ / Rod Profile Locking	
3 Adet / Pcs	ASL-311100		TU PİMİ KARŞILIK / Rod Profile Strike	
2 Adet / Pcs	12-41		TU PROFİLİ / Espag Rod	TH-SH-126
2 Adet / Pcs	12-41		TU PROFİLİ / Espag Rod	TH2-SH-HH-126
X Adet / Pcs	FDA-M 01		ÜST KASA MONTAJ PARÇASI / Frame Fixed Part	X-FW/300mm



5+1 KANAT KANAT KESİM ÖLÇÜLERİ
5+1 SASH CUTTING LIST
İSPANYOLET KILITLEME AÇILIM TIPI İÇİN KESİM ÖLÇÜLERİ
CUTTING SIZES FOR MULTI POINT LOCKING

PROFİLLER / PROFILES

NO / Number	ADET / Unit	KOD / Code	PROFİL ÇİZİMİ / Drawing	PROFİL TANIMI / Description	KESİM ÖLÇÜSÜ / Cutting Dimensions
1	2	FDTR2 01		DÜŞEY KASA PROFİLİ / Vertical Frame Profile	FH-108,5
2	1	FDTR2 02		ÜST YATIRY KASA PROFİLİ / Top Horizontal Frame Profile	FW
3	1	FDTR2 06		ALT YATIRY KASA PROFİLİ / Bottom Horizontal Frame Profile	FW
4	12	FDTR2 11		DÜŞEY KANAT PROFİLİ / Vertical Frame Profile	SH-FH-132,5
5	12	FDTR2 11		YATIRY KANAT PROFİLİ / Horizontal Frame Profile	SH-FW-100-100x3/8
6	2	FDTR2 43		KAPI ADAPTOR PROFİLİ / Door Adapter Profile	SH-14
7	2	FDTR2 44		KAPI ADAPTOR PROFİLİ / Door Adapter Profile	SH-14
8	24	FDTR2 42		KILITL. ADAPTOR PRO. / Brush Adapter Profile	SW
9	12	11-020		DÜŞEY CAM ÇITASI / Vertical Glazing Bead	GBH-SH-133,7
10	12	11-020		YATIRY CAM ÇITASI / Horizontal Glazing Bead	GBW-SW-90
11	1	12-82		TU PROFİLİ / Connecting Rod	SH-250

CAM KESİM ÖLÇÜLERİ / GLASS CUTTING SIZES

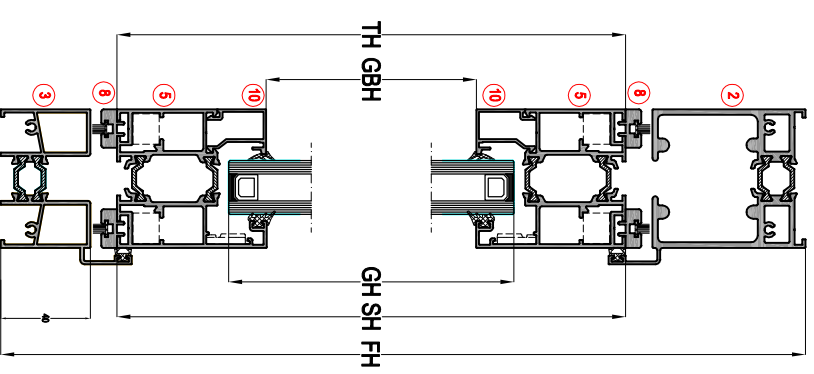
KOD / Code	TANIMI / Description	KESİM ÖLÇÜSÜ / Cutting Dimensions
GW	CAM GENİŞLİK / Sash Glass Width	GW-SW-100
GH	CAM YÜKSEKLİK / Sash Glass Height	GH-SH-100

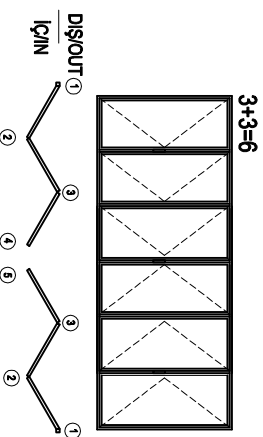
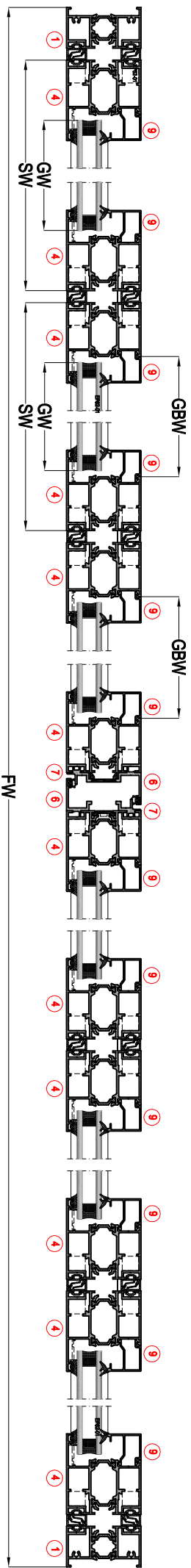
FİTİLLER / GASKETS

MİKTAR / Unit	KOD / Code	PROFİL ÇİZİMİ / Drawing	PROFİL TANIMI / Description	KESİM ÖLÇÜSÜ / Cutting Dimensions
mt	EP2-01		İÇ CAM FİTİLİ / Inner Glazing Gasket	(12xGW)*4*(12xGH)
mt	EP1-01		DİŞ CAM FİTİLİ / Outer Glazing Gasket	(12xGW)*4*(12xGH)
mt	EP3-03		KANAT BİMLİ FİTİLİ / Sash Gasket	2XSH+2XFW
mt	İK 67-550		FİRÇA FİTİLİ / Brush Gasket - 5,5mm	24XSW
mt	EP2-01		ORTA BİMLİ FİTİLİ / Gasket For Open Joint	24XSH

AKSESUARLAR / ACCESSORIES

Adet / Pcs	ASİ-İB 1214		PİLLİ KÖŞE BAĞLANTI / Corner Joint	
24 Adet / Pcs	ASİ-FULU 2000		AYRILIK KÖŞE GÖNTERESİ / Corner Adjustment	
20 Adet / Pcs	FDAA-H 003		ARA MENTEŞE / Standard Hinge	
2 Adet / Pcs	FDAA-H 004		ÇEKME KOL / Pull Handle	
2 Adet / Pcs	FDAA-H 002		ALT MENTEŞE / Bottom Hinge	
2 Adet / Pcs	FDAA-H 001		ÜST MENTEŞE / Top Hinge	
1 Adet / Pcs	ASİ-DH 002		KAPI KOLU / Door Handle	
1 Adet / Pcs	ASİ-S 31480		İSPANYOLET KILITLEME / Multi P. Lock With Key	
1 Adet / Pcs	ASİ-S 301645		İSPANYOLET KILIT KARSILICI / Lock Str. For Multi P.	
1 Adet / Pcs	ASİ-BRL 90S		90LUK SİLİMETRİK BAREL / Synthetic Cylinder 90	
2 Adet / Pcs	FDAA-GB 01		ÇİFT YÖNLÜ KILITLEME / Gear Box - Two Way	
3 Adet / Pcs	FDAA-B 01		SURUGU KILITLEME / Folding Bolt	
3 Adet / Pcs	FDAA-B 02		SURUGU KILITLEME KOLU / Folding Bolt Handle	
2 Adet / Pcs	FDAA-K 01		ÇİFT YÖNLÜ KILITLEME KOLU / Gear Box Handle	
3 Adet / Pcs	ASİ-314750		TU PİMİ / Rod Profile Locking	
3 Adet / Pcs	ASİ-311100		TU PİMİ KARSILIK / Rod Profile Shrink	
2 Adet / Pcs	12-41		TU PROFİLİ / Espag Rod	TH1-SH-126
2 Adet / Pcs	12-41		TU PROFİLİ / Espag Rod	TH2-SH-HH-126
1 Adet / Pcs	12-41		TU PROFİLİ / Espag Rod	SH
X Adet / Pcs	FDAAM 01		ÜST KASA MONTAJ PARÇASI / Frame Fixed Part	X-FW/300mm



3+3 KANAT KANAT KESİM ÖLÇÜLERİ
3+3 SASH CUTTING LIST
İSPANYOLET KILITLEME AÇILIM TIPI İÇİN KESİM ÖLÇÜLERİ
CUTTING SIZES FOR MULTI POINT LOCKING

PROFİLER / PROFILES

NO / Number	ADET / Unit	KOD / Code	PROFİL ÇİZİMİ / Drawing	PROFİL TANIMI / Description	KESİM ÖLÇÜSÜ / Cutting Dimensions
1	2	FDTR2 01		DÜŞEY KASA PROFİLİ / Vertical Frame Profile	FH-108,5
2	1	FDTR2 02		ÜST YATIRY KASA PROFİLİ / Top Horizontal Frame Profile	FW
3	1	FDTR2 06		ALT YATIRY KASA PROFİLİ / Bottom Horizontal Frame Profile	FW
4	12	FDTR2 11		DÜŞEY KANAT PROFİLİ / Vertical Frame Profile	SH-FH-132,5
5	12	FDTR2 11		YATIRY KANAT PROFİLİ / Horizontal Frame Profile	SH-FW-100-(10X8)26
6	2	FDTR2 43		KAPI ADAPTOR PROFİLİ / Door Adapter Profile	SH-14
7	2	FDTR2 44		KAPI ADAPTOR PROFİLİ / Door Adapter Profile	SH-14
8	24	FDTR2 42		KIL.FİTL ADAPTOR PRO. / Brush Adapter Profile	SW
9	12	11-020		DÜŞEY CAM ÇITASI / Vertical Glazing Bead	GBH-SH-133,7
10	12	11-020		YATIRY CAM ÇITASI / Horizontal Glazing Bead	GBW-SW-90
11	1	12-82		TU PROFİLİ / Connecting Rod	SH-250

CAM KESİM ÖLÇÜLERİ / GLASS CUTTING SIZES

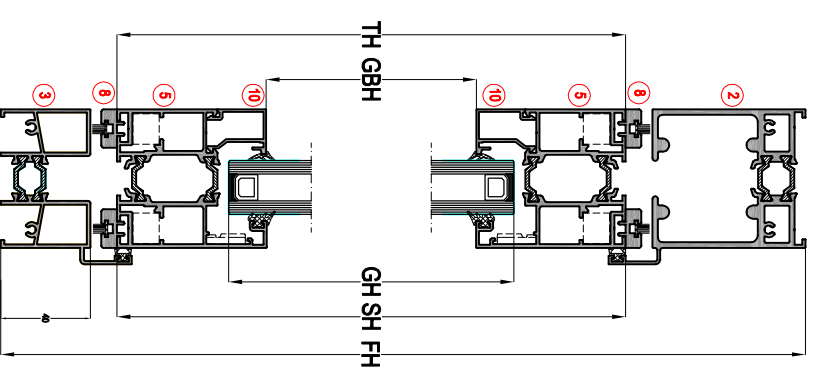
KOD / Code	TANIMI / Description	KESİM ÖLÇÜSÜ / Cutting Dimensions
GW	CAM GENİŞLİK / Sash Glass Width	GW-SW-100
GH	CAM YÜKSEKLİK / Sash Glass Height	GH-SH-100

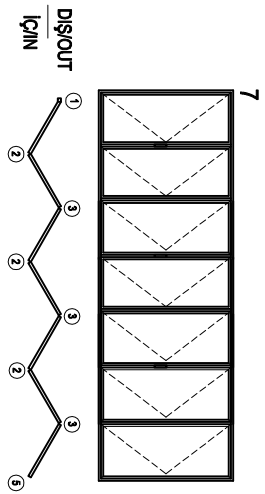
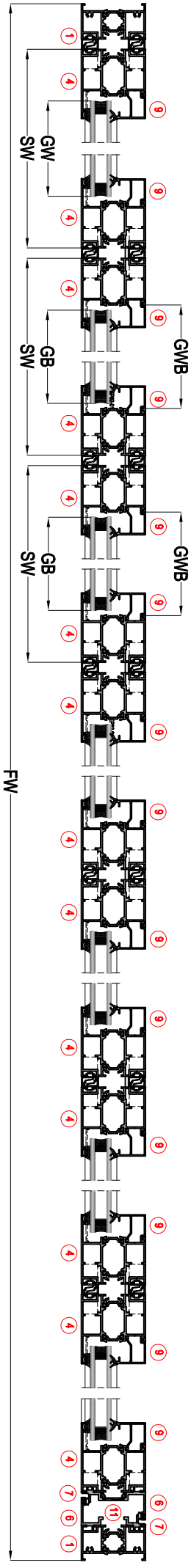
FİTLER / GASKETS

MİKTAR / Unit	KOD / Code	PROFİL ÇİZİMİ / Drawing	PROFİL TANIMI / Description	KESİM ÖLÇÜSÜ / Cutting Dimensions
mt	EP2-01		İÇ CAM FİTLİ / Inner Glazing Gasket	(12XGW)*4*(2XGH)
mt	EP1-01		DİŞ CAM FİTLİ / Outer Glazing Gasket	(12XGW)*4*(2XGH)
mt	EP3-03		KANAT İNİ FİTLİ / Sash Gasket	2XSH+2XFW
mt	İF 67-550		FİRÇA FİTLİ / Brush Gasket - 5,5mm	24XSW
mt	EP2-01		ORTA İNİ FİTLİ / Gasket For Open Joint	24XSH

AKSESUARLAR / ACCESSORIES

Adet / Pcs	ASİ-İB 1214		PİLLİ KÖŞE BAĞLANTI / Corner Joint
24 Adet / Pcs	ASİ-FULU 2000		AYRIK KÖŞE DÜZİTİSİ / Corner Adjustment
20 Adet / Pcs	FDAA-H 003		ARA MENTEŞE / Standard Hinge
2 Adet / Pcs	FDAA-H 004		ÇEKME KOL / Pull Handle
2 Adet / Pcs	FDAA-H 002		ALT MENTEŞE / Bottom Hinge
2 Adet / Pcs	FDAA-H 001		ÜST MENTEŞE / Top Hinge
1 Adet / Pcs	ASİ-DH 002		KAPI KOLU / Door Handle
1 Adet / Pcs	ASİ-SL 314800		İSPANYOLET KILITLEME / Multi P. Lock With Key
1 Adet / Pcs	ASİ-SL 301645		İSPANYOLET KILIT KARSILICI / Lock Str. For Multi P.
1 Adet / Pcs	ASİ-BRL 90S		90LUK SİLİMETRİK BAREL / Symetric Cylinder 90
2 Adet / Pcs	FDAA-GB 01		ÇİFT YÖNLÜ KILITLEME / Gear Box - Two Way
3 Adet / Pcs	FDAA-B 01		SURUGU KILITLEME / Folding Bolt
2 Adet / Pcs	FDAA-B 02		SURUGU KILITLEME KOLU / Folding Bolt Handle
2 Adet / Pcs	FDAA-K 01		ÇİFT YÖNLÜ KILITLEME KOLU / Gear Box Handle
3 Adet / Pcs	ASİ-314750		TU PİMİ / Rod Profile Locking
3 Adet / Pcs	ASİ-311100		TU PİMİ KARSILIK / Rod Profile Shrink
2 Adet / Pcs	12-41		TU PROFİLİ / Espag Rod
2 Adet / Pcs	12-41		TU PROFİLİ / Espag Rod
1 Adet / Pcs	12-41		TU PROFİLİ / Espag Rod
X Adet / Pcs	FDAAM 01		ÜST KASA MONTAJ PARÇASI / Frame Fixed Part



7 KANAT KANAT KESİM ÖLÇÜLERİ
7 SASH CUTTING LIST
İSPANYOLET KİLİTLEMİ AÇILIM TIPI İÇİN KESİM ÖLÇÜLERİ
 CUTTING SIZES FOR MULTI POINT LOCKING

PROFİLLER / PROFILES

NO / Number	ADET / Unit	KOD / Code	PROFİL ÇİZİMİ / Drawing	PROFİL TANIMI / Description	KESİM ÖLÇÜSÜ / Cutting Dimensions
1	2	FDTR2 01		DÜŞEY KASA PROFİLİ / Vertical Frame Profile	HH-108,5
2	1	FDTR2 02		ÜST YATIRAY KASA PROFİLİ / Top Horizontal Frame Profile	FW
3	1	FDTR2 06		ALT YATIRAY KASA PROFİLİ / Bottom Horizontal Frame Profile	FW
4	14	FDTR2 11		DÜŞEY KANAT PROFİLİ / Vertical Frame Profile	SH=HH-132,5
5	14	FDTR2 11		YATIRAY KANAT PROFİLİ / Horizontal Frame Profile	SH=FW-100(10X7)X
6	2	FDTR2 43		KAPI ADAPTOR PROFİLİ / Door Adapter Profile	SH-14
7	2	FDTR2 44		KAPI ADAPTOR PROFİLİ / Door Adapter Profile	SH-14
8	28	FDTR2 42		KİLİT ADAPTOR PROFİLİ / Brush Adapter Profile	SW
9	14	11-020		DÜŞEY CAM ÇITASI / Vertical Glazing Bead	GBH=SH-133,7
10	14	11-020		YATIRAY CAM ÇITASI / Horizontal Glazing Bead	GBW=SW-90
11	1	12-82		TU PROFİLİ / Connecting Rod	SH-250

CAM KESİM ÖLÇÜLERİ / GLASS CUTTING SIZES

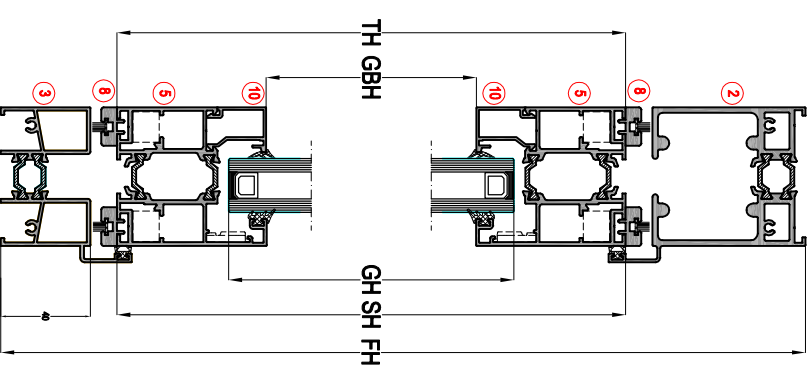
KOD / Code	TANIMI / Description	KESİM ÖLÇÜSÜ / Cutting Dimensions
GW	CAM GENİŞLİK / Sash Glass Width	GW=SW-100
GH	CAM YÜKSEKLİK / Sash Glass Height	GH=SH-100

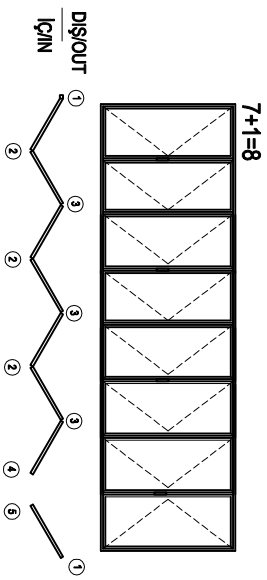
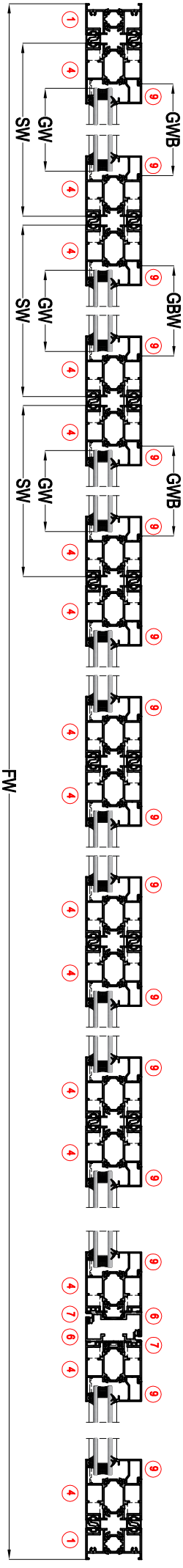
FİTİLLER / GASKETS

MİKTAR / Unit	KOD / Code	PROFİL ÇİZİMİ / Drawing	PROFİL TANIMI / Description	KESİM ÖLÇÜSÜ / Cutting Dimensions
mt	EP2-01		İÇ CAM FİTİLİ / Inner Glazing Gasket	(14XGW)X(14XGH)
mt	EP1-01		DİŞ CAM FİTİLİ / Outer Glazing Gasket	(14XGW)X(14XGH)
mt	EP3-03		KANAT BİMLİ FİTİLİ / Sash Gasket	2XSH+2XFW
mt	İK 67-50		FİRÇA FİTİLİ / Brush Gasket - 5,5mm	28XSW
mt	EP2-01		ORTA BİMLİ FİTİLİ / Gasket For Open Joint	28XSH

AKSESUARLAR / ACCESSORIES

MİKTAR / Pcs	ASİ-PB 1214		PİLLİ KÖŞE BAĞLANTI / Corner Joint
28 Adet / Pcs	ASİ-FULU 2000		AYRIK KÖŞE GÖVDESİ / Corner Adjustment
22 Adet / Pcs	FDAA-H 003		ARA MENTEŞE / Standard Hinge
3 Adet / Pcs	FDAA-H 004		ÇEKME KOL / Pull Handle
3 Adet / Pcs	FDAA-H 002		ALT MENTEŞE / Bottom Hinge
3 Adet / Pcs	FDAA-H 001		ÜST MENTEŞE / Top Hinge
1 Adet / Pcs	ASİ-DH 002		KAPI KOLU / Door Handle
1 Adet / Pcs	ASİ-S 31480		İSPANYOLET KİLİTLEMİ / Multi P. Lock With Key
1 Adet / Pcs	ASİ-S 301645		İSPANYOLET KİLİT KARSILIĞI / Lock Str. For Multi P.
1 Adet / Pcs	ASİ-BRL 90S		90LUK SİLİNTRİK BAREL / Synchr. Cylinder 90
3 Adet / Pcs	FDAA-GB 01		ÇİFT YÖNLÜ KİLİTLEMİ / Gear Box - Two Way
3 Adet / Pcs	FDAA-B 01		SUREU KİLİTLEMİ / Folding Bolt
3 Adet / Pcs	FDAA-K 01		ÇİFT YÖNLÜ KİLİTLEMİ KOLU / Gear Box Handle
3 Adet / Pcs	ASİ-314750		TU PİMİ / Rod Profile Locking
3 Adet / Pcs	ASİ-311100		TU PİMİ KARSILIK / Rod Profile Strike
3 Adet / Pcs	12-41		TU PROFİLİ / Espag Rod
3 Adet / Pcs	12-41		TU PROFİLİ / Espag Rod
3 Adet / Pcs	FDAA-M 01		ÜST KASA MONTAJ PARÇASI / Frame Fixed Part
			TH=HH-126
			TH2=SH-HH-126
			X=FW/300mm



7+1 KANAT KANAT KESİM ÖLÇÜLERİ
7+1 SASH CUTTING LIST

PROFİLER / PROFILES

NO / Number	ADET / Unit	KOD / Code	PROFİL ÇİZİMİ / Drawing	PROFİL TANIMI / Description	KESİM ÖLÇÜSÜ / Cutting Dimensions
1	2	FDTR2 01		DÜŞEY KASA PROFİLİ / Vertical Frame Profile	FH-108.5
2	1	FDTR2 02		ÜST YATIRY KASA PROFİLİ / Top Horizontal Frame Profile	FW
3	1	FDTR2 06		ALT YATIRY KASA PROFİLİ / Bottom Horizontal Frame Profile	FW
4	16	FDTR2 11		DÜŞEY KANAT PROFİLİ / Vertical Frame Profile	SH-FH-132.5
5	16	FDTR2 11		YATIRY KANAT PROFİLİ / Horizontal Frame Profile	SH-FW-100-4(10X3)28
6	2	FDTR2 43		KAPI ADAPTÖR PROFİLİ / Door Adapter Profile	SH-14
7	2	FDTR2 44		KAPI ADAPTÖR PROFİLİ / Door Adapter Profile	SH-14
8	32	FDTR2 42		KİLİ FTİLİ ADAPTÖR PRO. / Brush Adapter Profile	SW
9	16	11-020		DÜŞEY CAM ÇITASI / Vertical Glazing Bead	GBH-SH-133.7
10	16	11-020		YATIRY CAM ÇITASI / Horizontal Glazing Bead	GBW-SW-90
11	1	12-82		TU PROFİLİ / Connecting Rod	SH-250

CAM KESİM ÖLÇÜLERİ / GLASS CUTTING SIZES

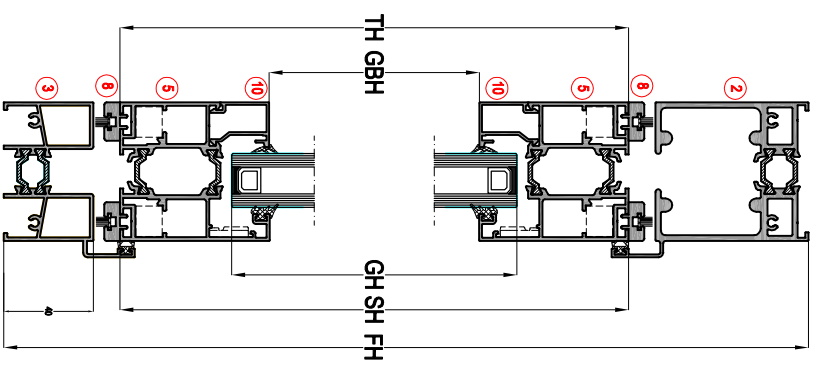
KOD / Code	TANIMI / Description	KESİM ÖLÇÜSÜ / Cutting Dimensions
GW	CAM GENİŞLİK / Sash Glass Width	GW-SW-100
GH	CAM YÜKSEKLİK / Sash Glass Height	GH-SH-100

FTİLLER / GASKETS

MİKTAR / Unit	KOD / Code	PROFİL ÇİZİMİ / Drawing	PROFİL TANIMI / Description	KESİM ÖLÇÜSÜ / Cutting Dimensions
mt	EP2-01		İÇ CAM FTİLİ / Inner Glazing Gasket	(16XGW)*4(16XGH)
mt	EP1-01		DİŞ CAM FTİLİ / Outer Glazing Gasket	(16XGW)*4(16XGH)
mt	EP3-03		KANAT BİMLİ FTİLİ / Sash Gasket	2XSH+2XFW
mt	İK 67-550		FİRÇA FTİLİ / Brush Gasket - 5.5mm	32XSW
mt	EP2-01		ORTA BİMLİ FTİLİ / Gasket For Open Joint	32XSH

AKSESUARLAR / ACCESSORIES

MİKTAR / Pcs	ASİ-PB 1214	PROFİL ÇİZİMİ / Drawing	AKSESUAR TANIMI / Description	KESİM ÖLÇÜSÜ / Cutting Dimensions
64 Adet / Pcs	ASİ-PB 1214		PİLLİ KÖŞE BAĞLANTI / Corner Joint	
32 Adet / Pcs	ASİ-FULU 2000		AYRILIK KÖŞE GÖNTERGİ / Corner Alignment	
26 Adet / Pcs	FDAA-H 003		ARA MENTEŞE / Standard Hinge	
3 Adet / Pcs	FDAA-H 004		ÇEKME KOL / Pull Handle	
2 Adet / Pcs	FDAA-H 002		ALT MENTEŞE / Bottom Hinge	
3 Adet / Pcs	FDAA-H 001		ÜST MENTEŞE / Top Hinge	
1 Adet / Pcs	ASİ-DH 002		KAPI KOLU / Door Handle	
1 Adet / Pcs	ASİ-SL 314800		İSPANYOLET KİLİTLEMİ / Multi P. Lock With Key	
1 Adet / Pcs	ASİ-SL 301645		İSPANYOLET KİLİT KARSILIK / Lock Str. For Multi P.	
1 Adet / Pcs	ASİ-BRL 90S		90LUK SİLİMETRİK BAREL / Synthetic Cylinder 90	
3 Adet / Pcs	FDAA-GB 01		ÇİFT YÖNLÜ KİLİTLEMİ / Gear Box - Two Way	
4 Adet / Pcs	FDAA-B 01		SURGU KİLİTLEMİ / Folding Bolt	
2 Adet / Pcs	FDAA-B 02		SURGU KİLİTLEMİ KOLU / Folding Bolt Handle	
3 Adet / Pcs	FDAA-K 01		ÇİFT YÖNLÜ KİLİTLEMİ KOLU / Gear Box Handle	
3 Adet / Pcs	ASİ.314750		TU PİMİ / Rod Profile Locking	
3 Adet / Pcs	ASİ.311100		TU PİMİ KARSILIK / Rod Profile Shrink	
2 Adet / Pcs	12-41		TU PROFİLİ / Espag Rod	TH1-SH-126
2 Adet / Pcs	12-41		TU PROFİLİ / Espag Rod	TH2-SH-HH-126
1 Adet / Pcs	12-41		TU PROFİLİ / Espag Rod	SH
X Adet / Pcs	FDAAM 01		ÜST KASA MONTAJ PARÇASI / Frame Fixed Part	X-FW/300mm



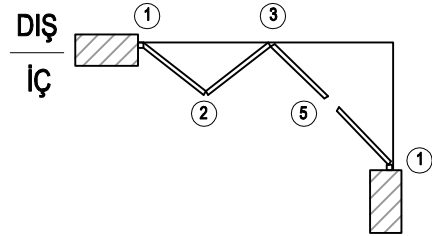
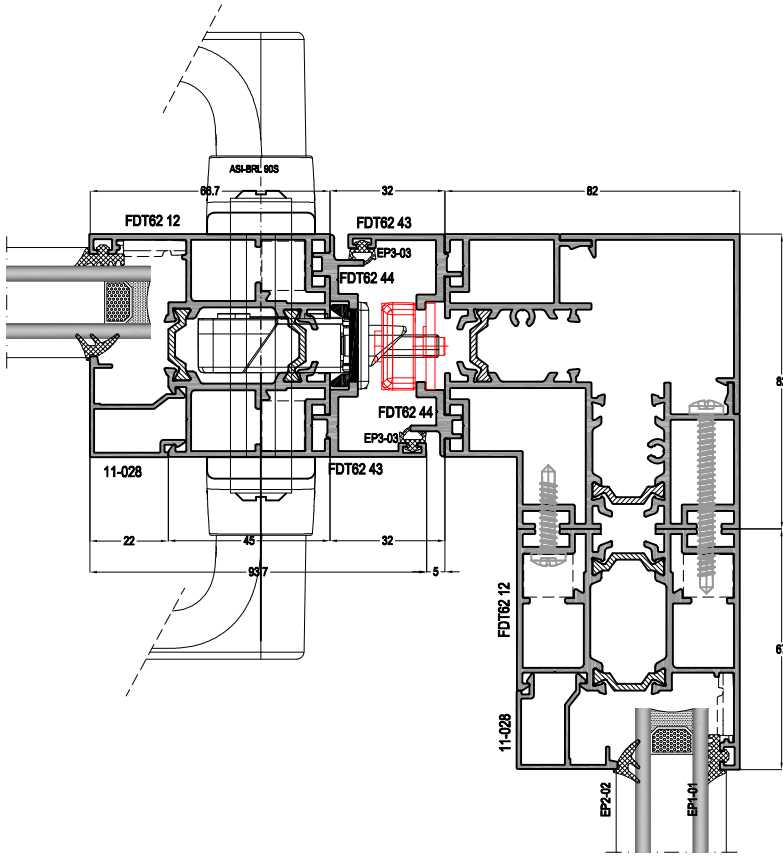
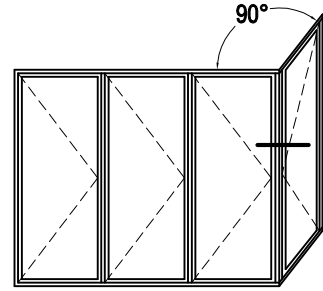
FDT62

YALITIMLI KATLANIR KAPI SİSTEMİ
THERMAL FOLDING DOOR SYSTEM

ASISTAL

90° KÖŞE DÖNÜŞ AÇILIM - İSPANYOLET KİLİTLEMeye GÖRE -
90° CORNER JOINT OPENING - MULTI POINT LOCK

3+1 KANAT AKSESUAR DETAYLARI
3+1 SASH ACCESSORIES DETAILS



AKSESUAR ACCESSORIES	SİSTEM KODU SYSTEM CODE	ADET PCS	AKSESUAR ACCESSORIES	SİSTEM KODU SYSTEM CODE	ADET PCS
	FDA-H 003	14		FDA-GB 01	1
	FDA-H 002	1		FDA-B 01	2
	FDA-H 001	1		FDA-K 01	1
	FDA-H 004	1		FDA-B 02	2
	ASI-DH 002	1		ASI-FUJI 2000	16
	ASI-LS 314890	1		ASI-PB 1214	32
	ASI-LS 301645	1		ASI-RP 314750	3
	ASI-BRL 90S	1		ASI-RS 311100	3
	FDA-B 03	2			

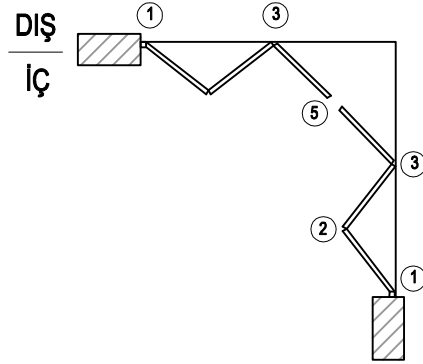
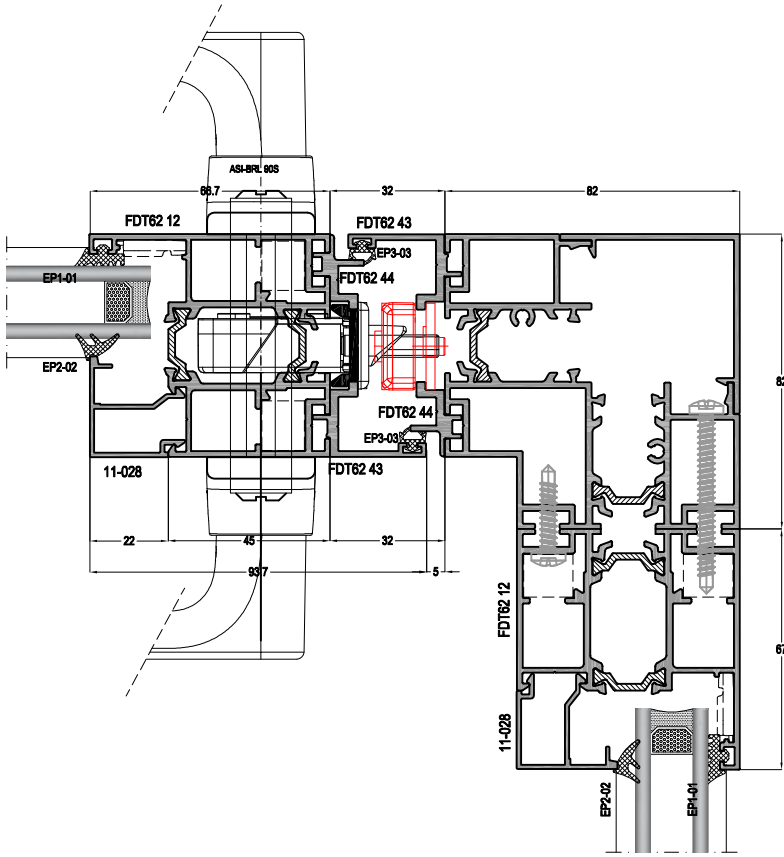
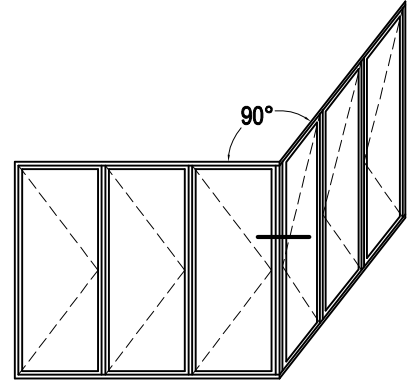
FDT62

YALITIMLI KATLANIR KAPI SİSTEMİ
THERMAL FOLDING DOOR SYSTEM

ASISTAL

90° KÖŞE DÖNÜŞ AÇILIM - İSPANYOLET KİLİTLEMeye GÖRE
90° CORNER JOINT OPENING - MULTI POINT LOCK

3+3 KANAT AKSESUAR DETAYLARI
3+3 SASH ACCESSORIES DETAILS



AKSESUAR ACCESSORIES	SİSTEM KODU SYSTEM CODE	ADET PCS	AKSESUAR ACCESSORIES	SİSTEM KODU SYSTEM CODE	ADET PCS
	FDA-H 003	20		FDA-GB 01	2
	FDA-H 002	2		FDA-B 01	3
	FDA-H 001	2		FDA-K 01	2
	FDA-H 004	2		FDA-B 02	2
	ASI-DH 002	1		ASI-FUJI 2000	24
	ASI-LS 314890	1		ASI-PB 1214	48
	ASI-LS 301645	1		ASI-RP 314750	3
	ASI-BRL 90S	1		ASI-RS 311100	3
	FDA-B 03	2			

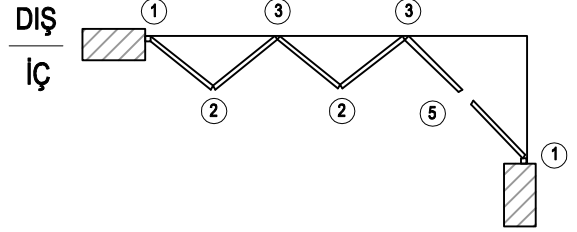
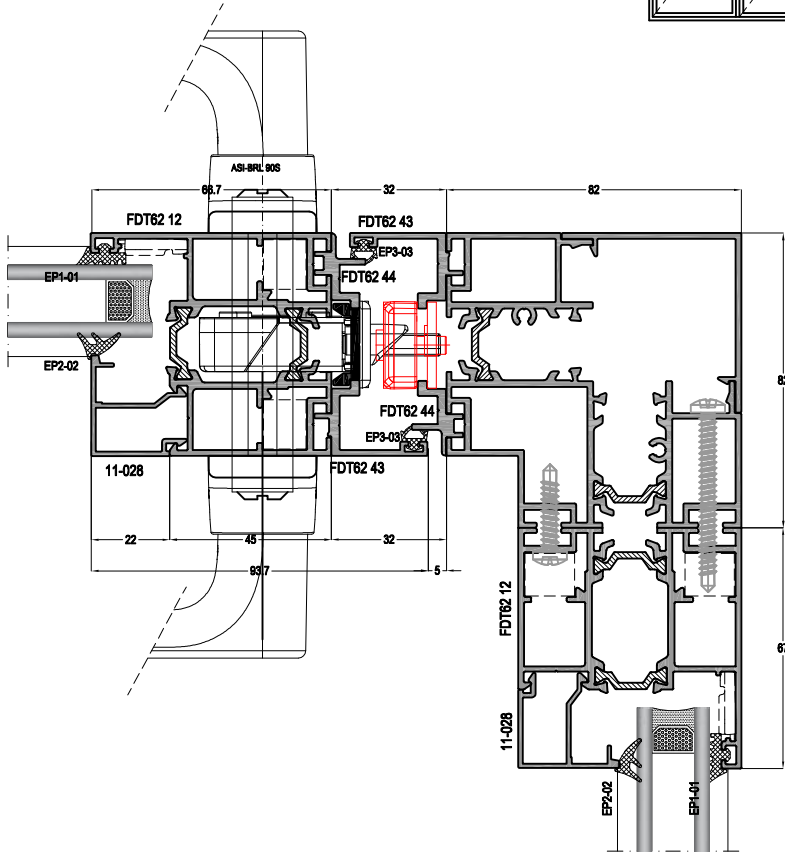
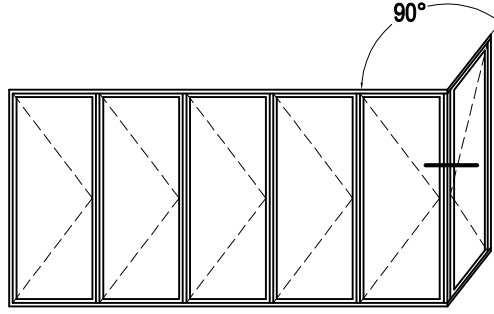
FDT62

YALITIMLI KATLANIR KAPI SİSTEMİ
THERMAL FOLDING DOOR SYSTEM

ASISTAL

90° KÖŞE DÖNÜŞ AÇILIM - İSPANYOLET KİLİTLEMeye GÖRE
90° CORNER JOINT OPENING - MULTI POINT LOCK

5+1 KANAT AKSESUAR DETAYLARI
5+1 SASH ACCESSORIES DETAILS



AKSESUAR ACCESSORIES	SİSTEM KODU SYSTEM CODE	ADET PCS	AKSESUAR ACCESSORIES	SİSTEM KODU SYSTEM CODE	ADET PCS
	FDA-H 003	20		FDA-GB 01	2
	FDA-H 002	2		FDA-B 01	3
	FDA-H 001	2		FDA-K 01	3
	FDA-H 004	2		FDA-B 02	2
	ASI-DH 002	1		ASI-FUJI 2000	32
	ASI-LS 314890	1		ASI-PB 1214	48
	ASI-LS 301645	1		ASI-RP 314750	3
	ASI-BRL 90S	1		ASI-RS 311100	3
	FDA-B 03	2			

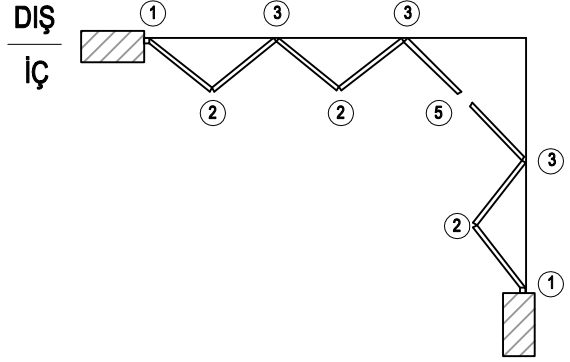
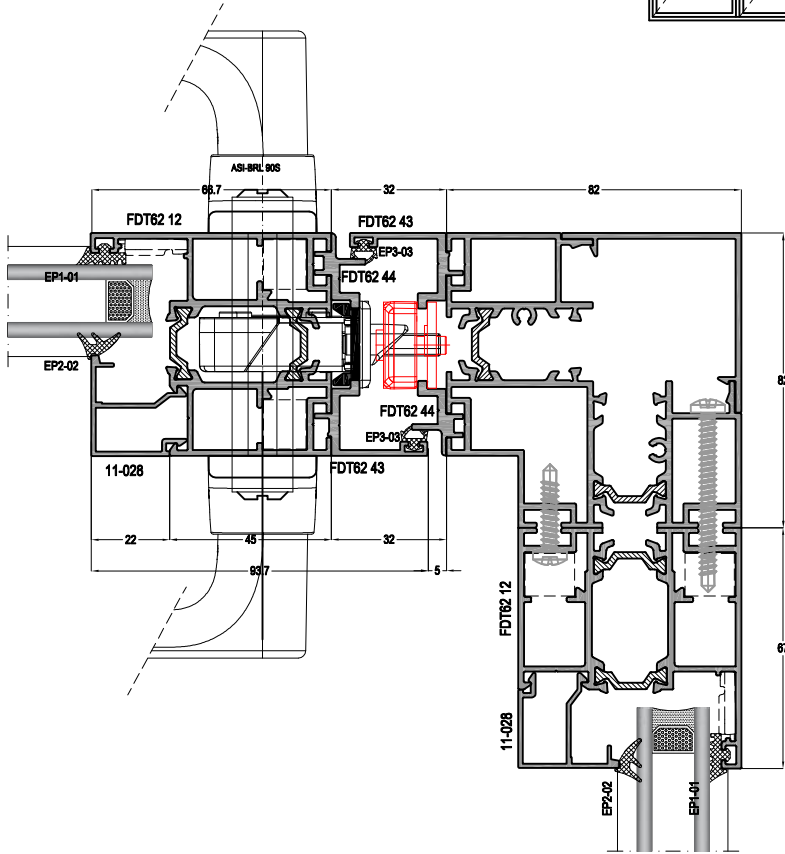
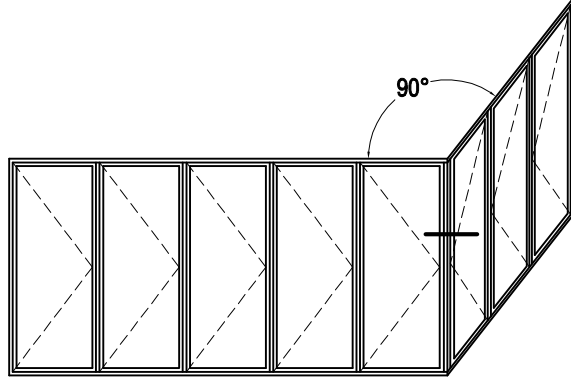
FDT62

YALITIMLI KATLANIR KAPI SİSTEMİ
THERMAL FOLDING DOOR SYSTEM

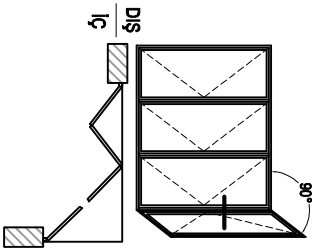
ASISTAL

90° KÖŞE DÖNÜŞ AÇILIM - İSPANYOLET KİLİTLEMeye GÖRE
90° CORNER JOINT OPENING - MULTI POINT LOCK

5+3 KANAT AKSESUAR DETAYLARI
5+3 SASH ACCESSORIES DETAILS



AKSESUAR ACCESSORIES	SİSTEM KODU SYSTEM CODE	ADET PCS	AKSESUAR ACCESSORIES	SİSTEM KODU SYSTEM CODE	ADET PCS
	FDA-H 003	26		FDA-GB 01	3
	FDA-H 002	3		FDA-B 01	4
	FDA-H 001	3		FDA-K 01	3
	FDA-H 004	3		FDA-B 02	2
	ASI-DH 002	1		ASI-FUJI 2000	32
	ASI-LS 314890	1		ASI-PB 1214	64
	ASI-LS 301645	1		ASI-RP 314750	3
	ASI-BRL 90S	1		ASI-RS 311100	3
	FDA-B 03	2			

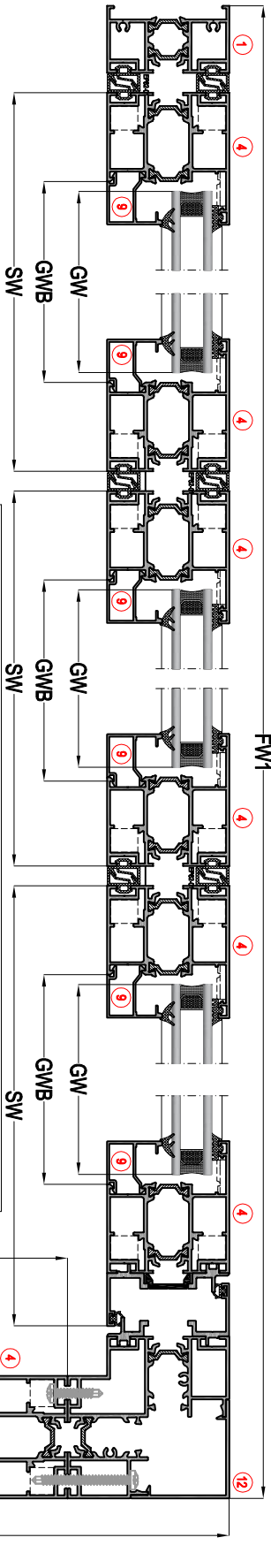


3+1 KANAT KANAT KESİM ÖLÇÜLERİ 3+1 SASH CUTTING LIST

NO / Number	ADET / Unit	KOD / Code	PROFIL ÇİZİMİ / Drawing	PROFIL TANIMI / Description	KESİM ÖLÇÜSÜ / Cutting Dimensions
1	2	FDTR2 01		DÜŞEY KASA PROFİLİ / Vertical Frame Profile	FH-108.5
2	1	FDTR2 02		ÜST YATIRYI KASA PROFİLİ / Top Horizontal Frame Profile	FW1
2	1	FDTR2 02		ÜST YATIRYI KASA PROFİLİ / Top Horizontal Frame Profile	FW2
3	1	FDTR2 06		ALT YATIRYI KASA PROFİLİ / Bottom Horizontal Frame Profile	FW1
3	1	FDTR2 06		ALT YATIRYI KASA PROFİLİ / Bottom Horizontal Frame Profile	FW2
4	6	FDTR2 11		YATIRYI KANAT PROFİLİ / Horizontal Frame Profile	SW2=FW-148-(10X3)8
4	2	FDTR2 11		YATIRYI KANAT PROFİLİ / Horizontal Frame Profile	SW2=FW-118-(10X3)8
5	8	FDTR2 11		DÜŞEY KANAT PROFİLİ / Vertical Frame Profile	SH-FH-132.5
6	2	FDTR2 43		KAPI ADAPTOR PROFİLİ / Door Adapter Profile	SH-14
7	2	FDTR2 44		KAPI ADAPTOR PROFİLİ / Door Adapter Profile	SH-14
8	12	FDTR2 42		KIL FİTİL ADAPTOR PRO. / Brush Adapter Profile	SW
8	4	FDTR2 42		KIL FİTİL ADAPTOR PRO. / Brush Adapter Profile	SW2
10	6	11-020		YATIRYI CAM ÇİTASI / Horizontal Glazing Bead	GBW=SW-90
9	8	11-020		DÜŞEY CAM ÇİTASI / Vertical Glazing Bead	GBH=SH-133.7
10	2	11-020		YATIRYI CAM ÇİTASI / Horizontal Glazing Bead	GBW2=SW2-90
11	1	12-82		TÜ PROFİLİ / Cornering Rod	SH-250
12	1	FDTR2 51		90° KÖŞE PROFİLİ / 90° Corner Profile	SH
1	1	03-060309-15		L PROFİLİ / L Profile	40mm

CAM KESİM ÖLÇÜLERİ / GLASS CUTTING SIZES

KOD / Code	TANIMI / Description	KESİM ÖLÇÜSÜ / Cutting Dimensions
GW	CAM GENİŞLİK / Sash Glass Width	GW=SW-100
GH	CAM YÜKSEKLİK / Sash Glass Height	GH=SH-100

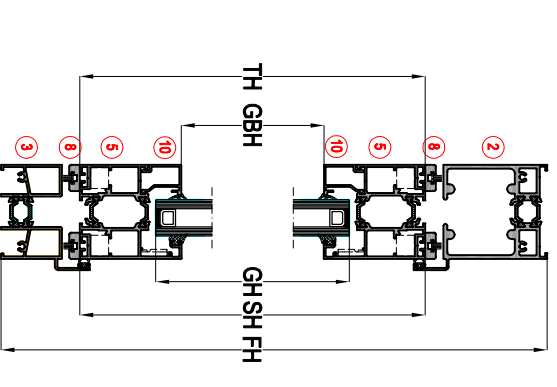
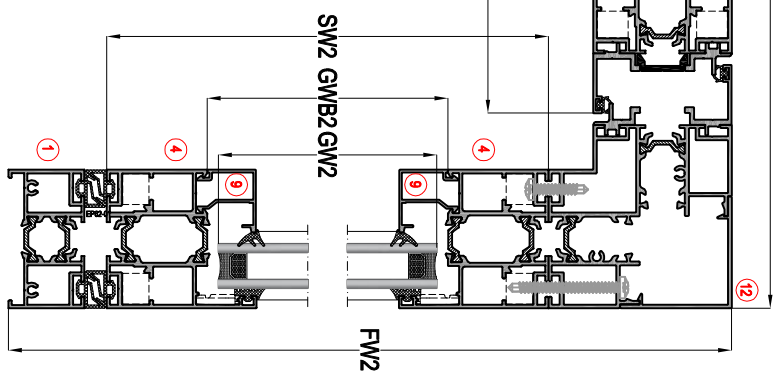


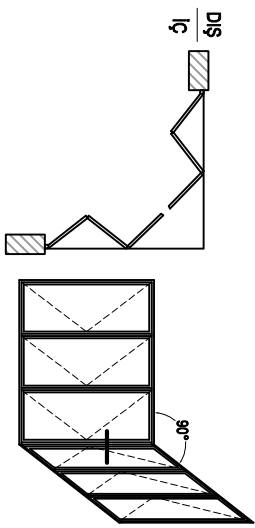
FİTİLLER / GASKETS

MİKTAR / Unit	KOD / Code	PROFIL ÇİZİMİ / Drawing	PROFIL TANIMI / Description	KESİM ÖLÇÜSÜ / Cutting Dimensions
mtl	EP2-01		İÇ CAM FİTİLİ / Inner Glazing Gasket	(6XGW)-(6XGH)-(2XGW2-2XGH2)
mtl	EP1-01		DIŞ CAM FİTİLİ / Outer Glazing Gasket	(6XGW)-(6XGH)-(2XGW2-2XGH2)
mtl	EP3-03		KANAT BİMLİ FİTİLİ / Sash Gasket	2XSH+2X(FW1+FW2)
mtl	KF 67-500		FİRÇA FİTİLİ / Brush Gasket - 5.5mm	(12XSW)+(4XSW2)
mtl	EPB2-01		ORTA BİMLİ FİTİLİ / Gasket For Open Joint	16XSH

AKSESUARLAR / ACCESSORIES

32 Adet / Pcs	AS-PA 1214		PİMLİ KÖŞE BAĞLANTI / Corner Joint	
2 Adet / Pcs	AS-KT 1606		KÖŞE TAKOZU / Corner Joint	
2 Adet / Pcs	AS-KT 1619		KÖŞE TAKOZU / Corner Joint	
16 Adet / Pcs	AS-FULU 2000		AYKULU KÖŞE GÖNYESİ / Corner Adjustment	
14 Adet / Pcs	FDAA-H 003		AOL MENTEŞE / Standard Hinge	
1 Adet / Pcs	FDAA-H 004		ÇEKME KOL / Pull Handle	
1 Adet / Pcs	FDAA-H 002		ALT MENTEŞE / Bottom Hinge	
1 Adet / Pcs	FDAA-H 001		ÜST MENTEŞE / Top Hinge	
1 Adet / Pcs	AS-IDH 002		KAPI KOLU / Door Handle	
1 Adet / Pcs	AS-HLS 314890		İSPANYOLET KİLİTLEMİ / Multi P. Lock With Key	
1 Adet / Pcs	AS-HLS 301645		İSPANYOLET KİLİT KARSILICI / Lock Str. For Multi P.	
1 Adet / Pcs	AS-İBRL 90S		90LUK SİLİNDİRİK BAREL / Synthetic Cylinder 90	
1 Adet / Pcs	FDAA-GB 01		ÇİFT YÖNLÜ KİLİTLEMİ / Gear Box - Two Way	
1 Adet / Pcs	FDAA-B 01		SURUGU KİLİTLEMİ / Folding Bolt	
2 Adet / Pcs	FDAA-B 02		SURUGU KİLİTLEMİ / Folding Bolt	
2 Adet / Pcs	FDAA-B 03		KÖŞE KAPAK / Cover For Corner	
1 Adet / Pcs	FDAA-K 01		ÇİFT YÖNLÜ KİLİTLEMİ KOLU / Gear Box Handle	
3 Adet / Pcs	AS-İ314750		TÜ PİMİ / Rod Profile Loading	
3 Adet / Pcs	AS-İ311100		TÜ PİMİ KARŞILIK / Rod Profile Strike	
1 Adet / Pcs	12-41		TÜ PROFİLİ / Espag Rod	TH=HH-126
1 Adet / Pcs	12-41		TÜ PROFİLİ / Espag Rod	TH2=SH-HH-126
X Adet / Pcs	FDAA-M 01		ÜST KASA MONTAJ PARÇASI / Frame Fixed Part	X=FW/300mm





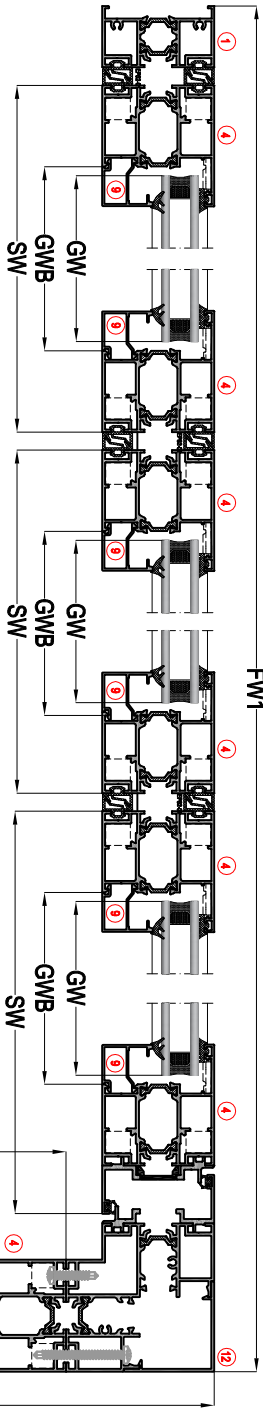
3+3 KANAT KANAT KESİM ÖLÇÜLERİ
3+3 SASH CUTTING LIST

PROFİLLER / PROFILES

NO / Number	ADET / Unit	KOD / Code	PROFİL ÇİZİMİ / Drawing	PROFİL TANIMI / Description	KESİM ÖLÇÜSÜ / Cutting Dimensions
1	2	FD782 01		DÜŞEY KASA PROFİLİ / Vertical Frame Profile	FH-108,5
2	1	FD782 02		ÜST YATIRYI KASA PROFİLİ / Top Horizontal Frame Profile	FW1
2	1	FD782 02		ÜST YATIRYI KASA PROFİLİ / Top Horizontal Frame Profile	FW2
3	1	FD782 06		ALT YATIRYI KASA PROFİLİ / Bottom Horizontal Frame Profile	FW1
3	1	FD782 06		ALT YATIRYI KASA PROFİLİ / Bottom Horizontal Frame Profile	FW2
4	6	FD782 11		YATIRYI KANAT PROFİLİ / Horizontal Frame Profile	SW2=FW-148-(10X3)8
4	6	FD782 11		YATIRYI KANAT PROFİLİ / Horizontal Frame Profile	SW2=FW-116-(10X3)8
4	12	FD782 11		DÜŞEY KANAT PROFİLİ / Vertical Frame Profile	SH-FH-132,5
6	2	FD782 43		KAPI ADAPTOR PROFİLİ / Door Adapter Profile	SH-14
7	2	FD782 44		KAPI ADAPTOR PROFİLİ / Door Adapter Profile	SH-14
8	12	FD782 42		KİLİ FİTİL ADAPTOR PRO. / Brush Adapter Profile	SW
8	12	FD782 42		KİLİ FİTİL ADAPTOR PRO. / Brush Adapter Profile	SW2
10	6	11-020		YATIRYI CAM ÇİTASI / Horizontal Glazing Bead	GBW=SW-90
9	12	11-020		DÜŞEY CAM ÇİTASI / Vertical Glazing Bead	GBH=SH-133,7
10	6	11-020		YATIRYI CAM ÇİTASI / Horizontal Glazing Bead	GBW2=SW2-90
11	1	12-82		TÜ PROFİLİ / Cornering Rod	SH-250
12	1	FD782 51		90° KÖŞE PROFİLİ / 90° Corner Profile	SH
1	1	03-0303030-15		L PROFİLİ / L Profile	40mm

CAM KESİM ÖLÇÜLERİ / GLASS CUTTING SIZES

KOD / Code	TANIMI / Description	KESİM ÖLÇÜSÜ / Cutting Dimensions
GW	CAM GENİŞLİK / Sash Glass Width	GW=SW-100
GH	CAM YÜKSEKLİK / Sash Glass Height	GH=SH-100

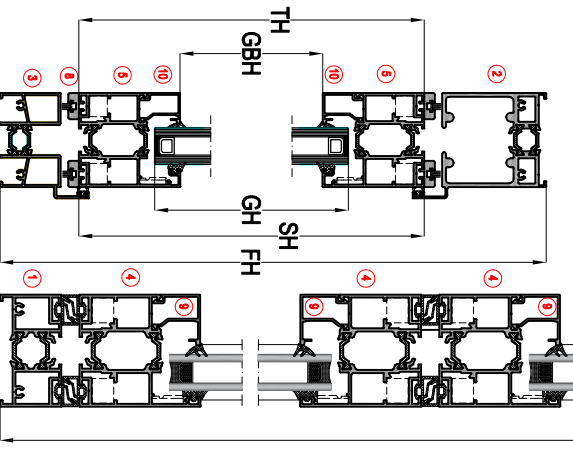


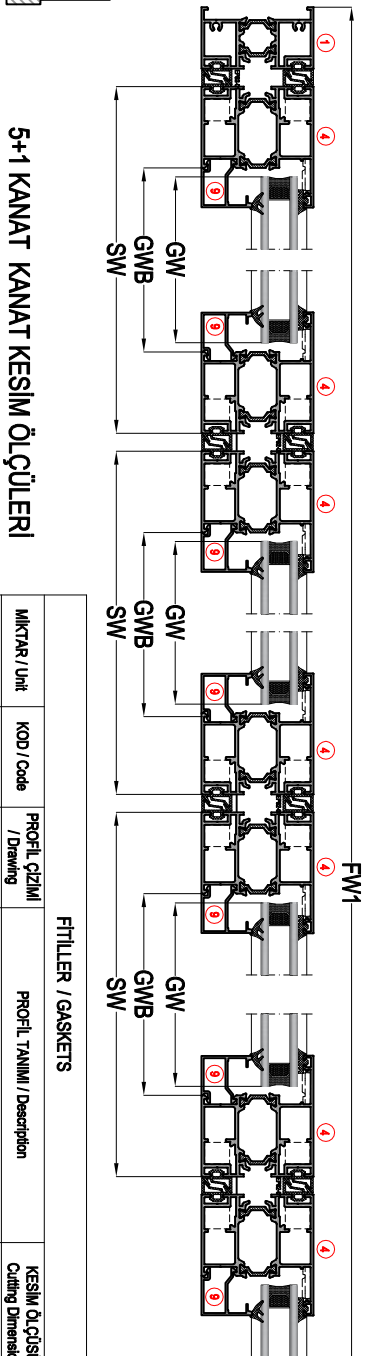
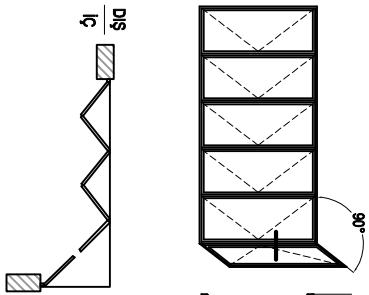
FİTİLLER / GASKETS

MİKTAR / Unit	KOD / Code	PROFİL ÇİZİMİ / Drawing	PROFİL TANIMI / Description	KESİM ÖLÇÜSÜ / Cutting Dimensions
mt	EP2-01		İÇ CAM FİTİLİ / Inner Glazing Gasket	(6XGW)-(6XGH)-(6XGW2)-(6XGH2)
mt	EP1-01		DİŞ CAM FİTİLİ / Outer Glazing Gasket	(6XGW)-(6XGH)-(6XGW2)-(6XGH2)
mt	EP3-03		KANAT BİMLİ FİTİLİ / Sash Gasket	2XSH+2X(FW1+FW2)
mt	KF 67-550		FİRÇA FİTİLİ / Brush Gasket - 5,5mm	(12XSW)-(12XSW2)
mt	EP82-01		ORTA BİMLİ FİTİLİ / Gasket For Open Joint	2AXSH

AKSESUARLAR / ACCESSORIES

MİKTAR / Pcs	KOD / Code	PROFİL ÇİZİMİ / Drawing	AKSESUAR TANIMI / Description	KESİM ÖLÇÜSÜ / Cutting Dimensions
48 Adet / Pcs	AS1-P3 1214		PİMLİ KÖŞE BAĞLANTI / Corner Joint	
2 Adet / Pcs	AS1-KT 1606		KÖŞE TAKOZU / Corner Joint	
2 Adet / Pcs	AS1-KT 1619		KÖŞE TAKOZU / Corner Joint	
24 Adet / Pcs	AS1-FULI 2000		AYRILIK KÖŞE GÖNYESİ / Corner Alignment	
20 Adet / Pcs	FDAA-H 003		ARA MENTEŞE / Standard Hinge	
2 Adet / Pcs	FDAA-H 004		ÇEKME KOL / Pull Handle	
2 Adet / Pcs	FDAA-H 002		ALT MENTEŞE / Bottom Hinge	
2 Adet / Pcs	FDAA-H 001		ÜST MENTEŞE / Top Hinge	
2 Adet / Pcs	AS1-DH 002		KAPI KOLU / Door Handle	
1 Adet / Pcs	AS1-S 314890		İSPANYOLET KİLİTLEMİ / Multi P. Lock With Key	
1 Adet / Pcs	AS1-S 301645		İSPANYOLET KİLİT KARSILICI / Lock Str. For Multi P.	
1 Adet / Pcs	AS1-BRL 90S		90 LUK SİLİNDİRİK BAREL / Synthetic Cylinder 90	
2 Adet / Pcs	FDAA-GB 01		ÇİFT YÖNLÜ KİLİTLEMİ / Gear Box - Two Way	
3 Adet / Pcs	FDAA-B 01		SURUGU KİLİTLEMİ / Folding Bolt	
2 Adet / Pcs	FDAA-B 02		SURUGU KİLİTLEMİ / Folding Bolt	
2 Adet / Pcs	FDAA-B 03		KÖŞE KAPAK / Cover For Corner	
2 Adet / Pcs	FDAA-K 01		ÇİFT YÖNLÜ KİLİTLEMİ KOLU / Gear Box Handle	
3 Adet / Pcs	AS1-314750		TÜ PİMİ / Rod Profile Loading	
3 Adet / Pcs	AS1-311100		TÜ PİMİ KARŞILIK / Rod Profile Strike	
1 Adet / Pcs	12-41		TÜ PROFİLİ / Espag Rod	TH=HH+126
1 Adet / Pcs	12-41		TÜ PROFİLİ / Espag Rod	TH2=SH+HH+126
X Adet / Pcs	FDAA-M 01		ÜST KASA MONTAJ PARÇASI / Frame Fixed Part	X=FW/300mm





5+1 KANAT KANAT KESİM ÖLÇÜLERİ 5+1 SASH CUTTING LIST

PROFİLLER / PROFILES

NO / Number	ADET / Unit	KOD / Code	PROFİL ÇİZİMİ / Drawing	PROFİL TANIMI / Description	KESİM ÖLÇÜSÜ / Cutting Dimensions
1	2	FD782 01		DÜŞEY KASA PROFİLİ / Vertical Frame Profile	FH-108,5
2	1	FD782 02		ÜST YATIRYI KASA PROFİLİ / Top Horizontal Frame Profile	FW1
2	1	FD782 02		ÜST YATIRYI KASA PROFİLİ / Top Horizontal Frame Profile	FW2
3	1	FD782 02		ÜST YATIRYI KASA PROFİLİ / Top Horizontal Frame Profile	FW1
3	1	FD782 06		ALT YATIRYI KASA PROFİLİ / Bottom Horizontal Frame Profile	FW1
3	1	FD782 06		ALT YATIRYI KASA PROFİLİ / Bottom Horizontal Frame Profile	FW2
4	10	FD782 11		YATIRYI KANAT PROFİLİ / Horizontal Frame Profile	SW2=FW-148-(10X5)5
4	2	FD782 11		YATIRYI KANAT PROFİLİ / Horizontal Frame Profile	SW2=FW-118-(10X5)5
4	12	FD782 11		DÜŞEY KANAT PROFİLİ / Vertical Frame Profile	SH=FW-132,5
4	2	FD782 43		KAPI ADAPTOR PROFİLİ / Door Adapter Profile	SH-14
6	2	FD782 43		KAPI ADAPTOR PROFİLİ / Door Adapter Profile	SH-14
7	2	FD782 44		KAPI ADAPTOR PROFİLİ / Door Adapter Profile	SH-14
8	20	FD782 42		KİLİ FİTİL ADAPTOR PRO. / Brush Adapter Profile	SW
8	4	FD782 42		KİLİ FİTİL ADAPTOR PRO. / Brush Adapter Profile	SW2
10	10	11-020		YATIRYI CAM ÇİTASI / Horizontal Glazing Bead	GBW=SW-90
9	12	11-020		DÜŞEY CAM ÇİTASI / Vertical Glazing Bead	GBH=SH-133,7
10	2	11-020		YATIRYI CAM ÇİTASI / Horizontal Glazing Bead	GBW2=SW2-90
11	1	12-82		TÜ PROFİLİ / Cornering Rod	SH-250
12	1	FD782 51		90° KÖŞE PROFİLİ / 90° Corner Profile	SH
1	1	03-0303030-15		L PROFİLİ / L Profile	40mm

CAM KESİM ÖLÇÜLERİ / GLASS CUTTING SIZES

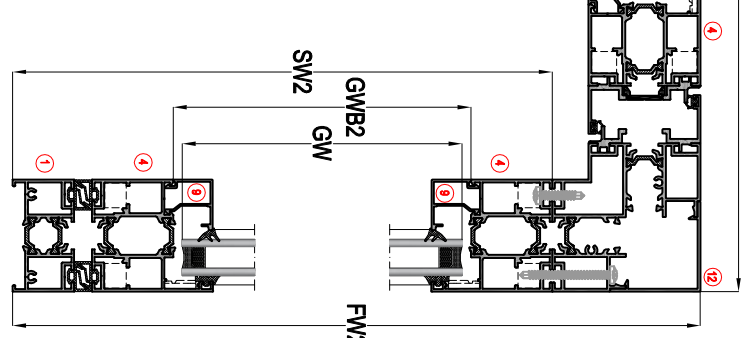
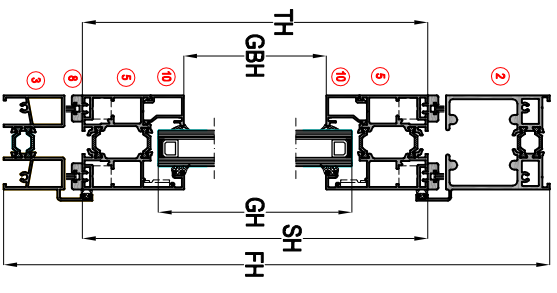
KOD / Code	TANIMI / Description	KESİM ÖLÇÜSÜ / Cutting Dimensions
GW	CAM GENİŞLİK / Sash Glass Width	GW=SW-100
GH	CAM YÜKSEKLİK / Sash Glass Height	GH=SH-100

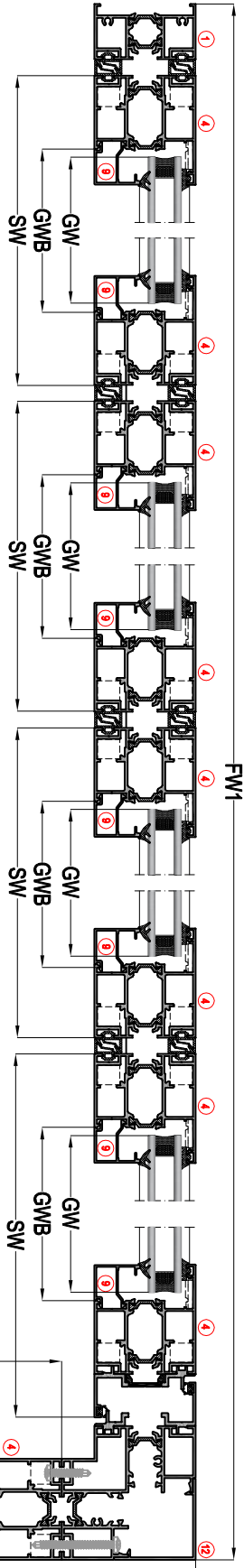
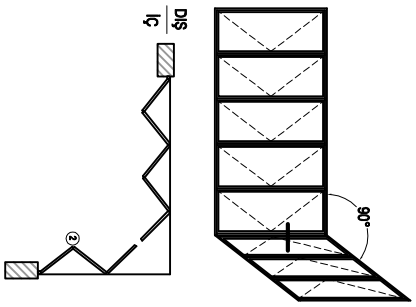
FİTİLLER / GASKETS

MİKTAR / Unit	KOD / Code	PROFİL ÇİZİMİ / Drawing	PROFİL TANIMI / Description	KESİM ÖLÇÜSÜ / Cutting Dimensions
mt	EP2-01		İÇ CAM FİTİLİ / Inner Glazing Gasket	(10XGW)+(10XGH)+ (2XGW2+2XGH2)
mt	EP1-01		DİŞ CAM FİTİLİ / Outer Glazing Gasket	(10XGW)+(10XGH)+ (2XGW2+2XGH2)
mt	EP3-03		KANAT BİMLİ FİTİLİ / Sash Gasket	2XSH+2X(FW1+FW2)
mt	KF 67-550		FİRÇA FİTİLİ / Brush Gasket - 5,5mm	(20XSW)+(4XSW2)
mt	EP82-01		ORTA BİMLİ FİTİLİ / Gasket For Open Joint	20XSH

AKSESUARLAR / ACCESSORIES

MİKTAR / Pcs	KOD / Code	PROFİL ÇİZİMİ / Drawing	AKSESUARLAR / ACCESSORIES
48 Adet / Pcs	AS1-P3 1214		PİVALİ KÖŞE BAĞLANTI / Corner Joint
2 Adet / Pcs	AS1-KT 1606		KÖŞE TAKOZU / Corner Joint
2 Adet / Pcs	AS1-KT 1619		KÖŞE TAKOZU / Corner Joint
24 Adet / Pcs	AS1-FUJ 2000		AYKULU KÖŞE GÖNYESİ / Corner Alignment
20 Adet / Pcs	FDAA-H 003		ARA MENTEŞE / Standard Hinge
2 Adet / Pcs	FDAA-H 004		ÇEKME KOL / Pull Handle
2 Adet / Pcs	FDAA-H 002		ALT MENTEŞE / Bottom Hinge
2 Adet / Pcs	FDAA-H 001		ÜST MENTEŞE / Top Hinge
1 Adet / Pcs	AS1-DH 002		KAPI KOLU / Door Handle
1 Adet / Pcs	AS1-S 314890		İSPANYOLET KİLİTLEMİ / Multi P. Lock With Key
1 Adet / Pcs	AS1-S 301645		İSPANYOLET KİLİT KARSILICI / Lock Str. For Multi P.
1 Adet / Pcs	AS1-BRL 90S		90LUK SİLİNDİRİK BAREL / Syncretic Cylinder 90
2 Adet / Pcs	FDAA-GB 01		ÇİFT YÖNLÜ KİLİTLEMİ / Gear Box - Two Way
3 Adet / Pcs	FDAA-B 01		SURUGU KİLİTLEMİ / Folding Bolt
2 Adet / Pcs	FDAA-B 02		SURUGU KİLİTLEMİ / Folding Bolt
2 Adet / Pcs	FDAA-B 03		KÖŞE KAPAK / Cover For Corner
2 Adet / Pcs	FDAA-K 01		ÇİFT YÖNLÜ KİLİTLEMİ KOLU / Gear Box Handle
3 Adet / Pcs	AS1-314750		TÜ PİMİ / Rod Profile Loading
3 Adet / Pcs	AS1-311100		TÜ PİMİ KARŞILIK / Rod Profile Strike
1 Adet / Pcs	12-41		TÜ PROFİLİ / Espang Rod
1 Adet / Pcs	12-41		TÜ PROFİLİ / Espang Rod
X Adet / Pcs	FDAA-M 01		ÜST KASA MONTAJ PARÇASI / Frame Fixed Part





5+3 KANAT KANAT KESİM ÖLÇÜLERİ 5+3 SASH CUTTING LIST

PROFİLLER / PROFILES

NO / Number	ADET / Unit	KOD / Code	PROFİL ÇİZİMİ / Drawing	PROFİL TANIMI / Description	KESİM ÖLÇÜSÜ / Cutting Dimensions
1	2	FD782 01		DÜŞEY KASA PROFİLİ / Vertical Frame Profile	FH-108.5
2	1	FD782 02		ÜST YATIRILMI KASA PROFİLİ / Top Horizontal Frame Profile	FW1
2	1	FD782 02		ÜST YATIRILMI KASA PROFİLİ / Top Horizontal Frame Profile	FW2
3	1	FD782 06		ALT YATIRILMI KASA PROFİLİ / Bottom Horizontal Frame Profile	FW1
3	1	FD782 06		ALT YATIRILMI KASA PROFİLİ / Bottom Horizontal Frame Profile	FW2
4	10	FD782 11		YATIRILMI KANAT PROFİLİ / Horizontal Frame Profile	SW2-FW-148-(10X3)8
4	6	FD782 11		YATIRILMI KANAT PROFİLİ / Horizontal Frame Profile	SW2-FW-118-(10X3)8
4	16	FD782 11		DÜŞEY KANAT PROFİLİ / Vertical Frame Profile	SH-FH-132.5
6	2	FD782 43		KAPI ADAPTÖR PROFİLİ / Door Adapter Profile	SH-14
7	2	FD782 44		KAPI ADAPTÖR PROFİLİ / Door Adapter Profile	SH-14
8	20	FD782 42		KİLİT FİTİL ADAPTÖR PRO. / Brush Adapter Profile	SW
8	12	FD782 42		KİLİT FİTİL ADAPTÖR PRO. / Brush Adapter Profile	SW2
10	10	11-020		YATIRILMI CAM ÇİTASI / Horizontal Glazing Bead	GBW-SW-90
9	16	11-020		DÜŞEY CAM ÇİTASI / Vertical Glazing Bead	GBH-SH-133.7
10	6	11-020		YATIRILMI CAM ÇİTASI / Horizontal Glazing Bead	GBW2-SW2-90
11	1	12-82		TÜ PROFİLİ / Cornering Rod	SH-250
12	1	FD782 51		90° KÖŞE PROFİLİ / 90° Corner Profile	SH
1	1	03-030303-15		L PROFİLİ / L Profile	40mm

CAM KESİM ÖLÇÜLERİ / GLASS CUTTING SIZES

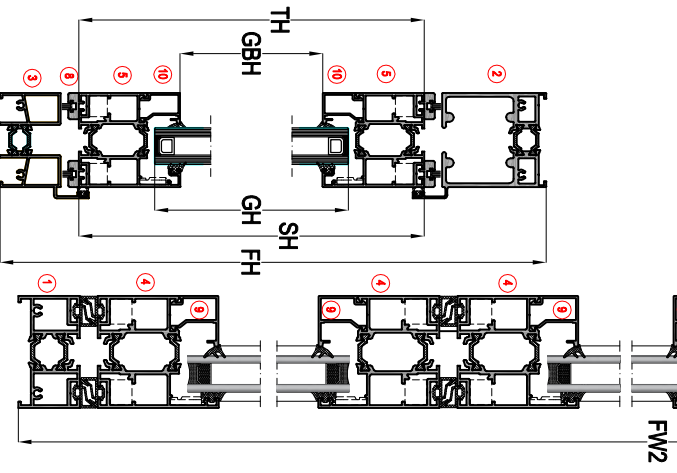
KOD / Code	TANIMI / Description	KESİM ÖLÇÜSÜ / Cutting Dimensions
GW	CAM GENİŞLİK / Sash Glass Width	GW-SW-100
GH	CAM YÜKSEKLİK / Sash Glass Height	GH-SH-100

FİTİLLER / GASKETS

MİKTAR / Unit	KOD / Code	PROFİL ÇİZİMİ / Drawing	PROFİL TANIMI / Description	KESİM ÖLÇÜSÜ / Cutting Dimensions
mt	EP2-01		İÇ CAM FİTİLİ / Inner Glazing Gasket	(10xGW)+(10xGH)+(6xGW2+6xGH2)
mt	EP1-01		DIŞ CAM FİTİLİ / Outer Glazing Gasket	(10xGW)+(10xGH)+(6xGH2+6xGH2)
mt	EP3-03		KANAT BİMLİ FİTİLİ / Sash Gasket	2XSH+2X(FW1+FW2)
mt	KF 67-500		FİRÇA FİTİLİ / Brush Gasket - 5.5mm	(20XSW)+(12XSW2)
mt	EP82-01		ORTA BİMLİ FİTİLİ / Gasket For Open Joint	28XSH

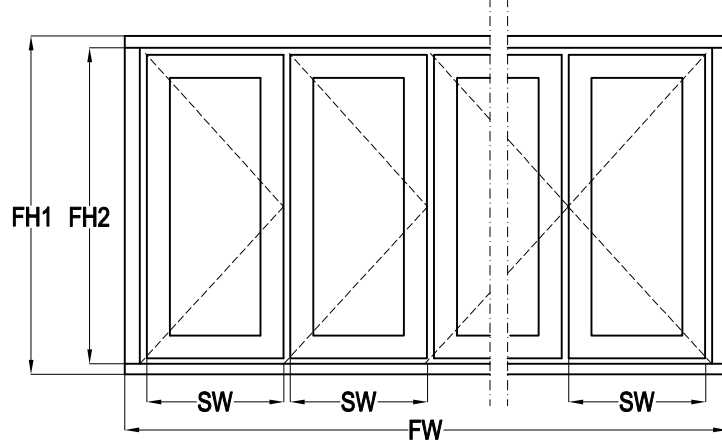
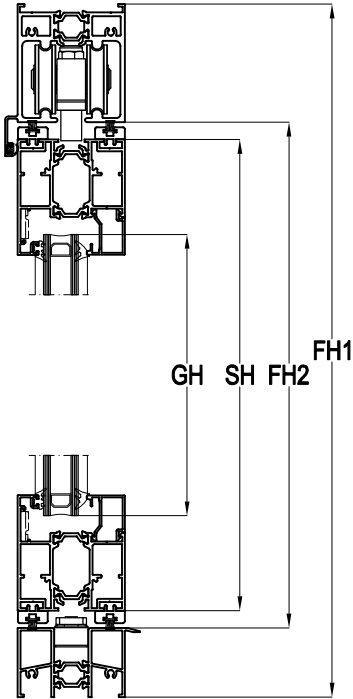
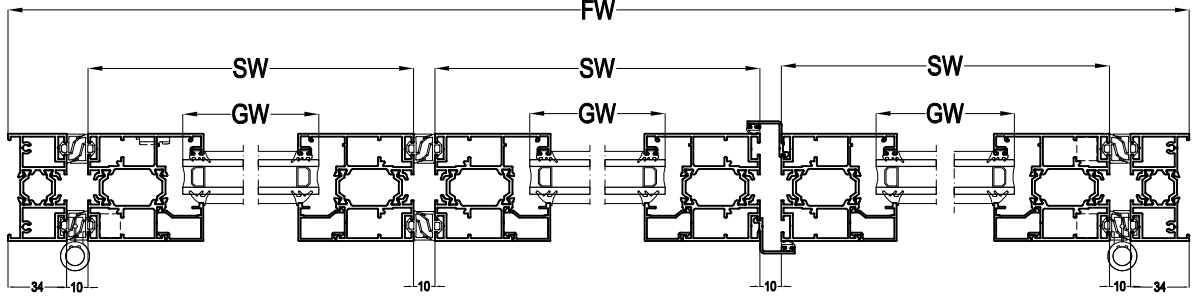
AKSESUARLAR / ACCESSORIES

MİKTAR / Pcs	KOD / Code	PROFİL ÇİZİMİ / Drawing	AKSESUAR TANIMI / Description	AKSESUAR TANIMI / Description
64 Adet / Pcs	AS-PA 1214		PİVALİ KÖŞE BAĞLANTI / Corner Joint	
2 Adet / Pcs	AS-KT 1606		KÖŞE TAKOZU / Corner Joint	
2 Adet / Pcs	AS-KT 1619		KÖŞE TAKOZU / Corner Joint	
32 Adet / Pcs	AS-FUJ1 2000		AYRILIK KÖŞE GÖNYESİ / Corner Alignment	
26 Adet / Pcs	FDAA-H 003		ARA MENTEŞE / Standard Hinge	
3 Adet / Pcs	FDAA-H 004		ÇEKME KOL / Pull Handle	
3 Adet / Pcs	FDAA-H 002		ALT MENTEŞE / Bottom Hinge	
3 Adet / Pcs	FDAA-H 001		ÜST MENTEŞE / Top Hinge	
1 Adet / Pcs	AS-IDH 002		KAPI KOLU / Door Handle	
1 Adet / Pcs	AS-HLS 314890		İSPANYOLET KİLİTLEMELERİ / Multi P. Lock With Key	
1 Adet / Pcs	AS-HLS 301645		İSPANYOLET KİLİT KARSILICI / Lock Str. For Multi P.	
1 Adet / Pcs	AS-BRL 90S		90 LUK SİLİNDİRİK BAREL / Synthetic Cylinder 90	
3 Adet / Pcs	FDAA-GB 01		ÇİFT YÖNLÜ KİLİTLEMELERİ / Gear Box - Two Way	
4 Adet / Pcs	FDAA-B 01		SURUGU KİLİTLEMELERİ / Folding Bolt	
2 Adet / Pcs	FDAA-B 02		SURUGU KİLİTLEMELERİ / Folding Bolt	
2 Adet / Pcs	FDAA-B 03		KÖŞE KAPAK / Cover For Corner	
3 Adet / Pcs	FDAA-K 01		ÇİFT YÖNLÜ KİLİTLEMELERİ / Gear Box Handle	
3 Adet / Pcs	AS-314750		TÜ PİMİ / Rod Profile Loading	
3 Adet / Pcs	AS-311100		TÜ PİMİ KARŞILIK / Rod Profile Strike	
1 Adet / Pcs	12-41		TÜ PROFİLİ / Espag Rod	
1 Adet / Pcs	12-41		TÜ PROFİLİ / Espag Rod	
X Adet / Pcs	FDAA-M 01		ÜST KASA MONTAJ PARÇASI / Frame Fixed Part	X=F/W/300mm





TEK NOKTADAN KİLİTLEME AÇILIM TİPİ İÇİN KESİM ÖLÇÜLERİ CUTTING SIZES FOR SINGLE POINT LOCKING



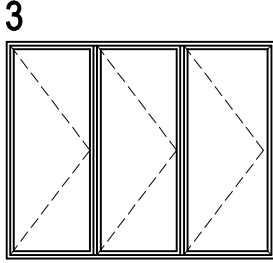
KASA PROFİLİ <i>Frame Profile</i>	KANAT PROFİLİ <i>Sash Profile</i>	KESİM ÖLÇÜLERİ <i>Cutting Sizes</i>
FDT62 01 FDT62 02 FDT62 03		$SW = \frac{FW - 78\text{mm} - (10\text{mm} \times SP)}{SP}$
FDT62 04 FDT62 05 FDT62 06 FDT62 07	FDT62 11 FDT62 12	GW=SW-100 mm SH=FH1-132,5 mm GH=SH-100 mm FH2=FH1-108,5mm

FW= KASA GENİŞLİĞİ / FRAME WIDTH
SW= KANAT GENİŞLİĞİ / SASH WIDTH
GW= CAM GENİŞLİĞİ / GLASS WIDTH
SP = KANAT ADEDİ / SASH PIECES

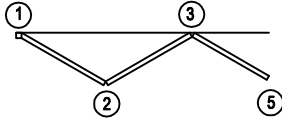
FH= KASA YÜKSEKLİĞİ / FRAME HEIGHT
SH= KANAT YÜKSEKLİĞİ / SASH HEIGHT
GH= CAM YÜKSEKLİĞİ / GLASS HEIGHT

TEK NOKTADAN KİLİTLEMeye GÖRE AKSESUAR TABLOSU ACCESSORIES TABLE FOR SINGLE POINT LOCK - MORTISE LOCK

3+0 KANAT AKSESUAR DETAYLARI 3+0 SASH ACCESSORIES DETAILS



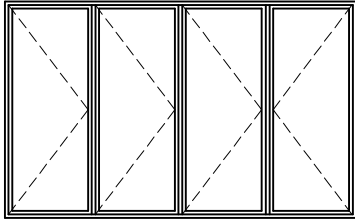
DIŞ
İÇ



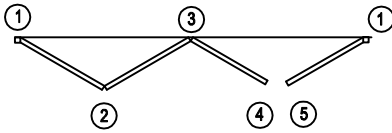
AKSESUAR ACCESSORIES	SİSTEM KODU SYSTEM CODE	ADET PCS	AKSESUAR ACCESSORIES	SİSTEM KODU SYSTEM CODE	ADET PCS
	FDA-H 003	10		FDA-GB 01	1
	FDA-H 002	1		FDA-B 01	1
	FDA-H 001	1		FDA-K 01	1
	FDA-H 004	1		ASI-FUJİ 2000	12
	ASI-DH 002	1		ASI-PB 1214	24
	ASI-153 U 25	1		ASI-BRL 90S	1
	ASI-LS 90185D	1			

3+1 KANAT AKSESUAR DETAYLARI 3+1 SASH ACCESSORIES DETAILS

3+1=4



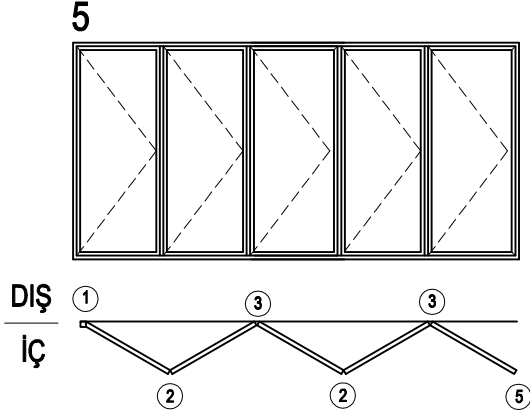
DIŞ
İÇ



AKSESUAR ACCESSORIES	SİSTEM KODU SYSTEM CODE	ADET PCS	AKSESUAR ACCESSORIES	SİSTEM KODU SYSTEM CODE	ADET PCS
	FDA-H 003	14		FDA-GB 01	1
	FDA-H 002	1		FDA-B 01	2
	FDA-H 001	1		FDA-B 02	2
	FDA-H 004	1		FDA-K 01	1
	ASI-153 U 25	1		ASI-FUJİ 2000	16
	ASI-LS 90185D	1		ASI-PB 1214	32
	ASI-BRL 90S	1		ASI-DH 002	1

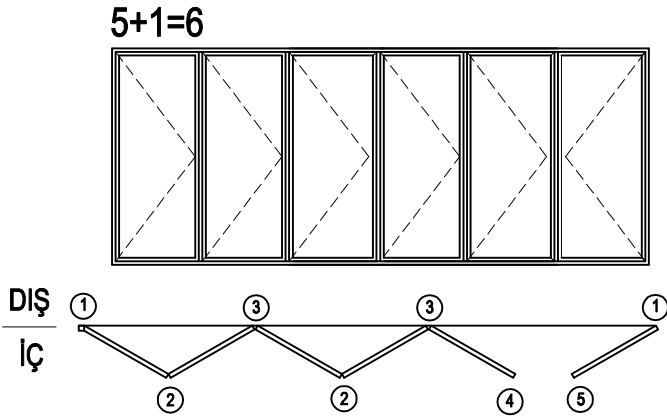
TEK NOKTADAN KİLİTLEMeye GÖRE AKSESUAR TABLOSU ACCESSORIES TABLE FOR SINGLE POINT LOCK - MORTISE LOCK

5+0 KANAT AKSESUAR DETAYLARI 5+0 SASH ACCESSORIES DETAILS



AKSESUAR ACCESSORIES	SİSTEM KODU SYSTEM CODE	ADET PCS	AKSESUAR ACCESSORIES	SİSTEM KODU SYSTEM CODE	ADET PCS
	FDA-H 003	16		FDA-GB 01	2
	FDA-H 002	2		FDA-B 01	2
	FDA-H 001	2		FDA-K 01	2
	FDA-H 004	2		ASI-FUJII 2000	20
	ASI-153 U 25	1		ASI-PB 1214	40
	ASI-LS 90185D	1		ASI-DH 002	1
	ASI-BRL 90S	1			

5+1 KANAT AKSESUAR DETAYLARI 5+1 SASH ACCESSORIES DETAILS

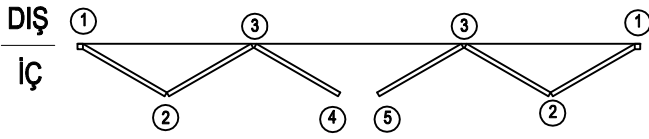
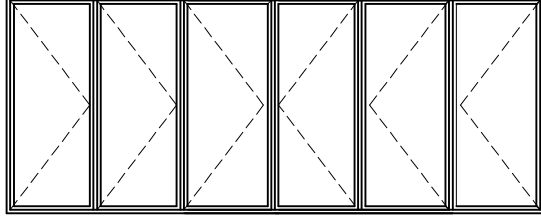


AKSESUAR ACCESSORIES	SİSTEM KODU SYSTEM CODE	ADET PCS	AKSESUAR ACCESSORIES	SİSTEM KODU SYSTEM CODE	ADET PCS
	FDA-H 003	20		FDA-GB 01	2
	FDA-H 002	2		FDA-B 01	3
	FDA-H 001	2		FDA-B 02	2
	FDA-H 004	2		FDA-K 01	2
	ASI-153 U 25	1		ASI-FUJII 2000	24
	ASI-LS 90185D	1		ASI-PB 1214	48
	ASI-BRL 90S	1		ASI-DH 002	1

TEK NOKTADAN KİLİTLEMeye GÖRE AKSESUAR TABLOSU ACCESSORIES TABLE FOR SINGLE POINT LOCK - MORTISE LOCK

3+3 KANAT AKSESUAR DETAYLARI 3+3 SASH ACCESSORIES DETAILS

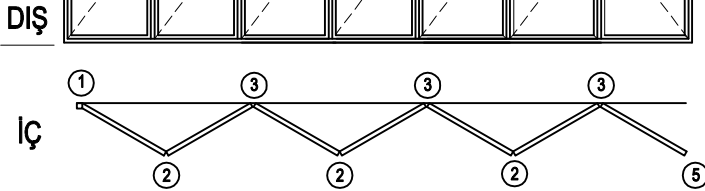
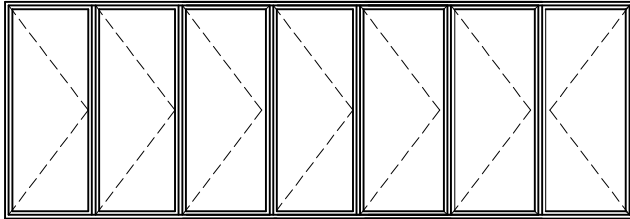
3+3=6



AKSESUAR ACCESSORIES	SİSTEM KODU SYSTEM CODE	ADET PCS	AKSESUAR ACCESSORIES	SİSTEM KODU SYSTEM CODE	ADET PCS
	FDA-H 003	20		FDA-GB 01	2
	FDA-H 002	2		FDA-B 01	3
	FDA-H 001	2		FDA-B 02	2
	FDA-H 004	2		FDA-K 01	2
	ASI-153 U 25	1		ASI-FUJI 2000	24
	ASI-LS 90185D	1		ASI-PB 1214	48
	ASI-BRL 90S	1		ASI-DH 002	1

7+0 KANAT AKSESUAR DETAYLARI 7+0 SASH ACCESSORIES DETAILS

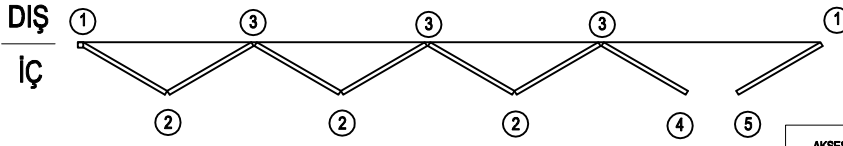
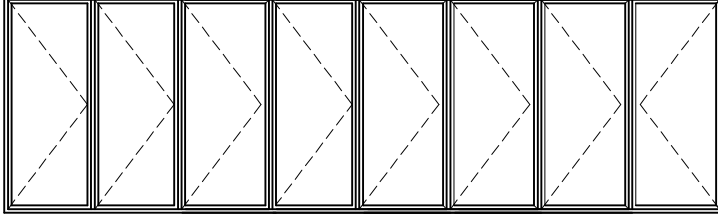
7



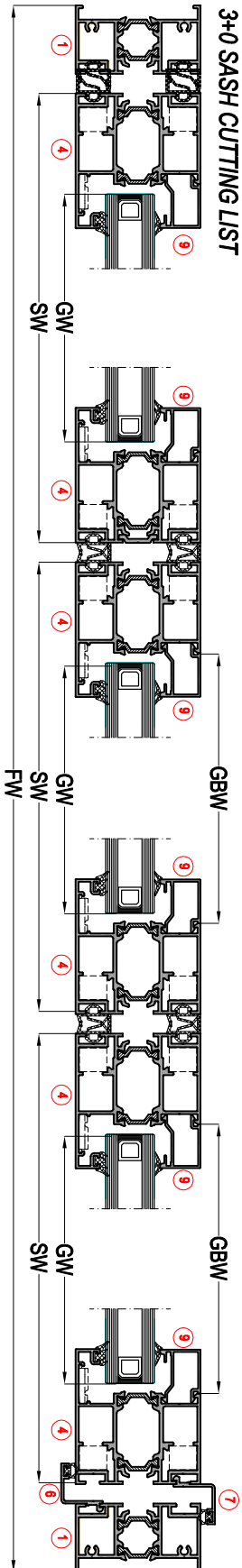
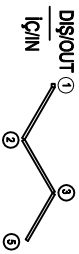
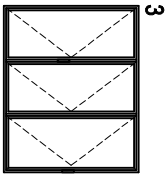
AKSESUAR ACCESSORIES	SİSTEM KODU SYSTEM CODE	ADET PCS	AKSESUAR ACCESSORIES	SİSTEM KODU SYSTEM CODE	ADET PCS
	FDA-H 003	22		FDA-GB 01	3
	FDA-H 002	3		FDA-B 01	3
	FDA-H 001	3		FDA-K 01	3
	FDA-H 004	3		ASI-FUJI 2000	28
	ASI-153 U 25	1		ASI-PB 1214	56
	ASI-LS 90185D	1		ASI-DH 002	1
	ASI-BRL 90S	1			

TEK NOKTADAN KİLİTLEMeye GÖRE AKSESUAR TABLOSU
ACCESSORIES TABLE FOR SINGLE POINT LOCK - MORTISE LOCK7+1 KANAT AKSESUAR DETAYLARI
7+1 SASH ACCESSORIES DETAILS

7+1=8



AKSESUAR ACCESSORIES	SİSTEM KODU SYSTEM CODE	ADET PCS	AKSESUAR ACCESSORIES	SİSTEM KODU SYSTEM CODE	ADET PCS
	FDA-H 003	26		FDA-GB 01	3
	FDA-H 002	3		FDA-B 01	4
	FDA-H 001	3		FDA-B 02	2
	FDA-H 004	3		FDA-K 01	3
	ASI-153 U 25	1		ASI-FUJI 2000	32
	ASI-LS 90185D	1		ASI-PB 1214	64
	ASI-BRL 90S	1		ASI-DH 002	1

3+0 KANAT KANAT KESİM ÖLÇÜLERİ
3+0 SASH CUTTING LIST

TEK NOKTADAN KILITLEME AÇILIM TİPİ İÇİN KESİM ÖLÇÜLERİ
CUTTING SIZES FOR SINGLE POINT LOCKING

PROFİLLER / PROFILES

NO / Number	ADET / Unit	KOD / Code / Drawing	PROFİL ÇİZİMİ / Description	PROFİL TANIMI / Description	KESİM ÖLÇÜSÜ / Cutting Dimensions
1	2	FDT82 01		DÜŞEY KASA PROFİLİ / Vertical Frame Profile	FH-108.5
2	1	FDT82 02		ÜST YATAY KASA PROFİLİ / Top Horizontal Frame Profile	FW
3	1	FDT82 06		ALT YATAY KASA PROFİLİ / Bottom Horizontal Frame Profile	FW
4	6	FDT82 11		DÜŞEY KANAT PROFİLİ / Vertical Frame Profile	SH-FH-132.5
5	6	FDT82 11		YATAY KANAT PROFİLİ / Horizontal Frame Profile	SH-FW-77.7(103)X3
6	1	FDT82 41		DİŞ ADAPTOR PROFİLİ / Out Adapter Profile	FH-147
7	1	FDT82 41		İÇ ADAPTOR PROFİLİ / Inside Adapter Profile	FH-135.3
8	12	FDT82 42		KİLİT ADAPTOR PRO. / Brush Adapter Profile	SW
9	6	11-020		DÜŞEY CAM ÇİTASI / Vertical Glazing Bead	GBH-SH-133.6
10	6	11-020		YATAY CAM ÇİTASI / Horizontal Glazing Bead	GBW-SW-90

Alt Yatay Kasa FDT82 06 Kullanılmıyorsa Diğ. Adaptörün Kesimi (FH-141,5mm) /
Bottom Horizontal Frame FDT82 06 If Not Used Cutting the Outer Adapter (FH-141,5mm)

CAM KESİM ÖLÇÜLERİ / GLASS CUTTING SIZES

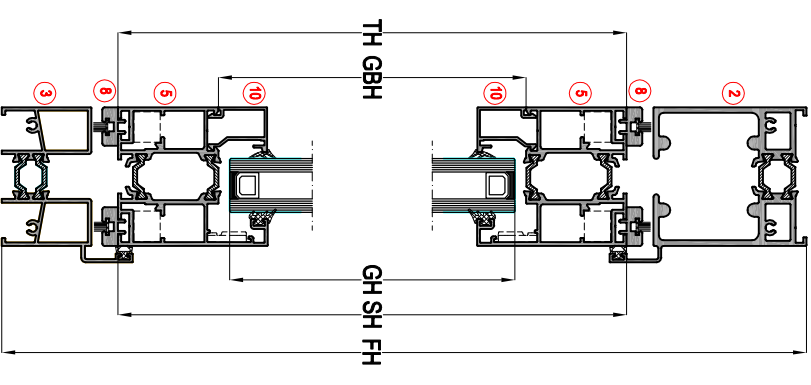
KOD / Code	TANIMI / Description	KESİM ÖLÇÜSÜ / Cutting Dimensions
GW	CAM GENİŞLİK / Sash Glass Width	GH-SW-100
GH	CAM YÜKSEKLİK / Sash Glass Height	GH-SH-100

FİTİLLER / GASKETS

MİKTAR / Unit	KOD / Code	PROFİL ÇİZİMİ / Drawing	PROFİL TANIMI / Description	KESİM ÖLÇÜSÜ / Cutting Dimensions
mt	EP2-01		İÇ CAM FİTİLİ / Inner Glazing Gasket	(6XGW)X(6XGH)
mt	EP1-01		DİŞ CAM FİTİLİ / Outer Glazing Gasket	(6XGW)X(6XGH)
mt	EP3-03		KANAT BİMLİ FİTİLİ / Sash Gasket	2XSH
mt	KF 67-50		FİRÇA FİTİLİ / Brush Gasket - 5,5mm	12XSW
mt	EP82-01		ORTA BİMLİ FİTİLİ / Gasket For Open Joint	12XSH

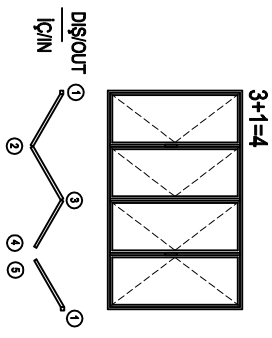
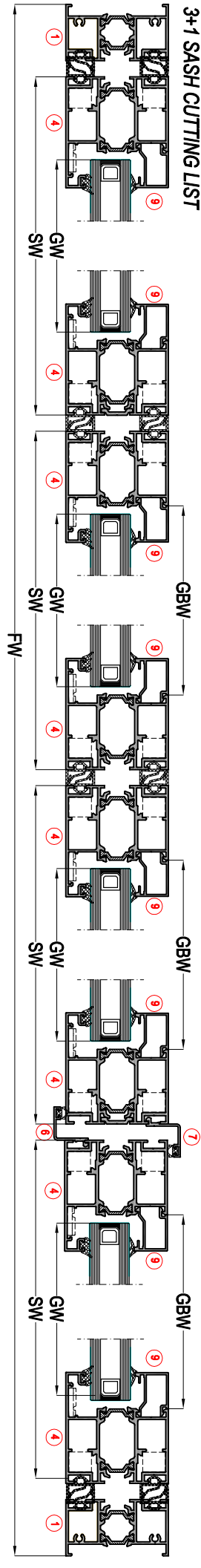
AKSESUARLAR / ACCESSORIES

24 Adet / Pcs	ASL-P8 1214		PİVALİ KOŞE BAĞLANTI / Corner Joint	
12 Adet / Pcs	ASL-FULI 2000		AVARU KOŞE GÖVRESİ / Corner Alignment	
10 Adet / Pcs	FDA-H 003		ARA MENTEŞE / Standard Hinge	
1 Adet / Pcs	FDA-H 004		ÇEKME KOL / Pull Handle	
1 Adet / Pcs	FDA-H 002		ALT MENTEŞE / Bottom Hinge	
1 Adet / Pcs	FDA-H 001		ÜST MENTEŞE / Top Hinge	
1 Adet / Pcs	ASL-DH 002		KAPI KOLU / Door Handle	
1 Adet / Pcs	ASL-İS3 U 25		DİLLİ KİLİT / Cylinder	
1 Adet / Pcs	ASL-S 9018SD		DİLLİ KİLİT KARŞILIĞI / Lock Shakes	
1 Adet / Pcs	ASL-BRL 90S		90LUK SİLİNDİRİK BAREL / Symetric Cylinder 90	
1 Adet / Pcs	FDA-G8 01		ÇİFT YÖNLÜ KİLİTLEME / Gear Box - Two Way	
1 Adet / Pcs	FDA-B 01		SURUGU KİLİTLEME / Folding Bolt	
1 Adet / Pcs	FDA-K 01		ÇİFT YÖNLÜ KİLİTLEME KOLU / Gear Box Handle	
1 Adet / Pcs	1241		TÜ PROFİLİ / Espag Rod	TH-HH-126
1 Adet / Pcs	1241		TÜ PROFİLİ / Espag Rod	TH2-SH-HH-126
X Adet / Pcs	FDA-M 01		ÜST KASA MONTAJ PARÇASI / Frame Fixed Part	X-FW/930mm



3+1 KANAT KANAT KESİM ÖLÇÜLERİ
3+1 SASH CUTTING LIST

TEK NOKTADAN KILITLEME AÇILIM TİPİ İÇİN KESİM ÖLÇÜLERİ
CUTTING SIZES FOR SINGLE POINT LOCKING



PROFİLLER / PROFILES

NO / Number	ADET / Unit	KOD / Code	PROFİL ÇİZİMİ / Drawing	PROFİL TANIMI / Description	KESİM ÖLÇÜSÜ / Cutting Dimensions
1	2	FDTR2 01		DÜŞEY KASA PROFİLİ / Vertical Frame Profile	FH-108.5
2	1	FDTR2 02		ÜST YATAY KASA PROFİLİ / Top Horizontal Frame Profile	FW
3	1	FDTR2 06		ALT YATAY KASA PROFİLİ / Bottom Horizontal Frame Profile	FW
4	8	FDTR2 11		DÜŞEY KANAT PROFİLİ / Vertical Frame Profile	SH-FH-132.5
5	8	FDTR2 11		YATAY KANAT PROFİLİ / Horizontal Frame Profile	SH-FW-77.7(10X2)
6	1	FDTR2 41		DİŞ ADAPTOR PROFİLİ / Out Adapter Profile	FH-147
7	1	FDTR2 41		İÇ ADAPTOR PROFİLİ / Inside Adapter Profile	FH-135.3
8	16	FDTR2 42		KİLİT ADAPTOR PRO. / Brush Adapter Profile	SW
9	8	11-020		DÜŞEY CAM ÇİTASI / Vertical Glazing Bead	GBH-SH-133.6
10	8	11-020		YATAY CAM ÇİTASI / Horizontal Glazing Bead	GBW-SW-90

Alt Yatay Kasa FDTR2 06 Kullanılmıyorsa Diğ. Adaptörün kesimi (FH-141,5mm) / Bottom Horizontal Frame FDTR2 06 if Not Used Cutting the Outer Adapter (FH-141,5mm)

CAM KESİM ÖLÇÜLERİ / GLASS CUTTING SIZES

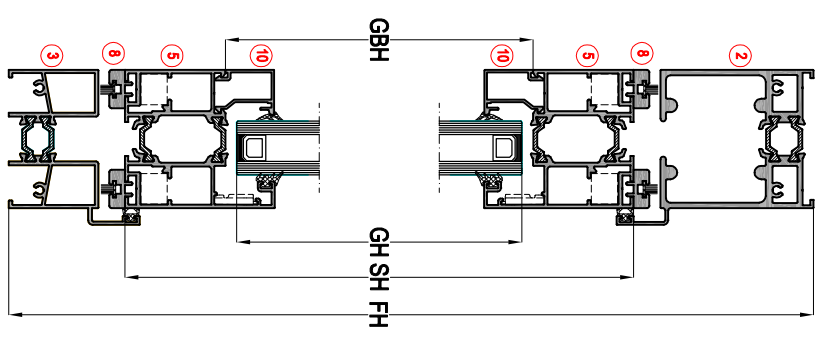
KOD / Code	TANIMI / Description	KESİM ÖLÇÜSÜ / Cutting Dimensions
GW	CAM GENİŞLİK / Sash Glass Width	GH-SW-100
GH	CAM YÜKSEKLİK / Sash Glass Height	GH-SH-100

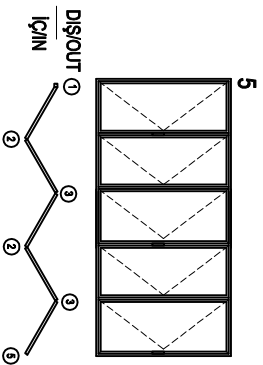
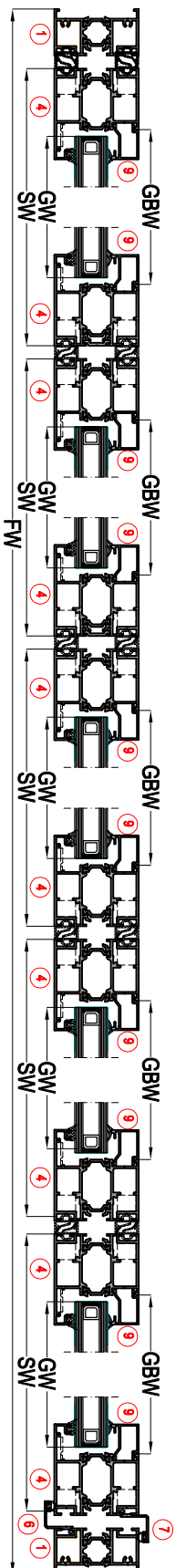
FİTİLLER / GASKETS

MİKTAR / Unit	KOD / Code	PROFİL ÇİZİMİ / Drawing	PROFİL TANIMI / Description	KESİM ÖLÇÜSÜ / Cutting Dimensions
mt	EP2-01		İÇ CAM FİTİLİ / Inner Glazing Gasket	(8XGM)-(8XGH)
mt	EP4-01		DİŞ CAM FİTİLİ / Outer Glazing Gasket	(8XGM)-(8XGH)
mt	EP3-03		KANAT BİMLİ FİTİLİ / Sash Gasket	2XSH
mt	KF 67-550		FİRÇA FİTİLİ / Brush Gasket - 5,5mm	16XSW
mt	EPB2-01		ORTA BİMLİ FİTİLİ / Gasket For Open Joint	18XSH

AKSESUARLAR / ACCESSORIES

MİKTAR / Pcs	KOD / Code	PROFİL ÇİZİMİ / Drawing	AKSESUAR TANIMI / Description	KESİM ÖLÇÜSÜ / Cutting Dimensions
32 Adet / Pcs	ASHP8 1214		PİVALİ KOŞE BAĞLANTI / Corner Joint	
16 Adet / Pcs	ASIFLUJ 2000		AVARLU KOŞE DÜZYESİ / Corner Alignment	
14 Adet / Pcs	FDAH 003		ARA MENTEŞE / Standard Hinge	
1 Adet / Pcs	FDAH 004		ÇEKME KOL / Pull Handle	
1 Adet / Pcs	FDAH 002		ALT MENTEŞE / Bottom Hinge	
1 Adet / Pcs	FDAH 001		ÜST MENTEŞE / Top Hinge	
1 Adet / Pcs	ASLDH 002		KAPI KOLU / Door Handle	
1 Adet / Pcs	ASL153 U 25		DİLLİ KILIT / Cylinder	
1 Adet / Pcs	ASLS 9018SD		DİLLİ KILIT KARŞILIĞI / Lock Strikes	
1 Adet / Pcs	ASIBRL 90S		90°LİK SİMETRİK BAREL / Symetric Cylinder 90	
1 Adet / Pcs	FDAGB 01		ÇİFT YÖNLÜ KILITLEME / Gear Box - Two Way	
2 Adet / Pcs	FDAAB 01		SURGU KILITLEME / Folding Bolt	
2 Adet / Pcs	FDAAB 02		SURGU KILITLEME KOLU / Folding Bolt Handle	
1 Adet / Pcs	FDAK 01		ÇİFT YÖNLÜ KILITLEME KOLU / Gear Box Handle	
1 Adet / Pcs	12-41		TÜ PROFİLİ / Espag Rod	TH1=HH-128
2 Adet / Pcs	12-41		TÜ PROFİLİ / Espag Rod	TH2=SH-HH-128
1 Adet / Pcs	12-41		TÜ PROFİLİ / Espag Rod	TH3=SH12
X Adet / Pcs	FDA-M 01		ÜST KASA MONTAJ PARÇASI / Frame Fixed Part	X-FW/300mm





PROFİLER / PROFILES

NO / ADET / Unit	KOD / Code	PROFİL ÇİZİMİ / Drawing	PROFİL TANIMI / Description	KESİM ÖLÇÜSÜ / Cutting Dimensions
1	2		DÜŞEY KASA PROFİLİ / Vertical Frame Profile	FH-108.5
2	1		ÜST YATAY KASA PROFİLİ / Top Horizontal Frame Profile	FW
3	1		ALT YATAY KASA PROFİLİ / Bottom Horizontal Frame Profile	FW
4	10		DÜŞEY KANAT PROFİLİ / Vertical Frame Profile	SH=FH-132.5
5	10		YATAY KANAT PROFİLİ / Horizontal Frame Profile	SW=FW-77.4(103)X5
6	1		DİŞ ADAPTOR PROFİLİ / Out Adapter Profile	FH-147
7	1		İÇ ADAPTOR PROFİLİ / Inside Adapter Profile	FH-135.3
8	20		KİLİT ADAPTOR PRO. / Brush Adapter Profile	SW
9	10		DÜŞEY CAM ÇİTASI / Vertical Glazing Bead	GBH=SH-133.6
10	10		YATAY CAM ÇİTASI / Horizontal Glazing Bead	GBW=SW-90

Alt Yatay Kasa FDT82 08 Kullanılmıyorsa Diğ. Adaptörün kesimi (FH-141,5mm) / Bottom Horizontal Frame FDT82 08 If Not Used Cutting the Outer Adapter (FH-141,5mm)

CAM KESİM ÖLÇÜLERİ / GLASS CUTTING SIZES

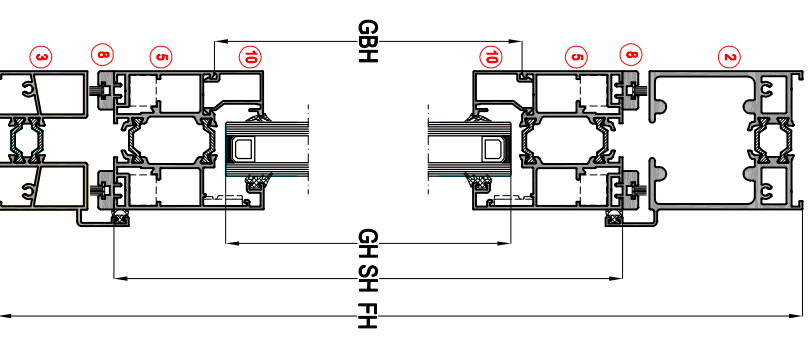
KOD / Code	TANIMI / Description	KESİM ÖLÇÜSÜ / Cutting Dimensions
GW	CAM GENİŞLİK / Sash Glass Width	GH=SW-100
GH	CAM YÜKSEKLİK / Sash Glass Height	GH=SH-100

FİTİLLER / GASKETS

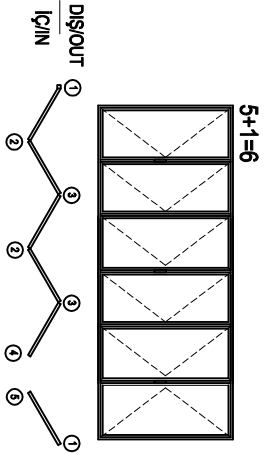
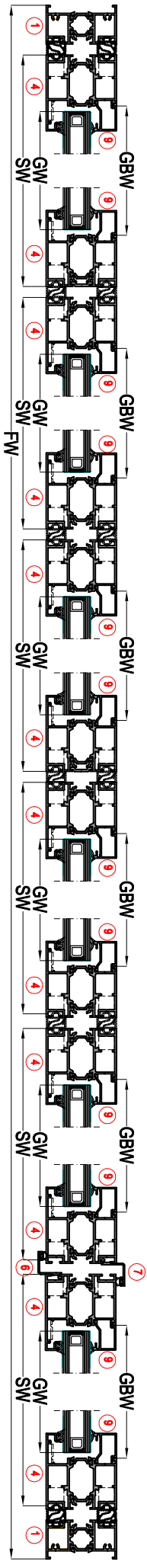
MİKTAR / Unit	KOD / Code	PROFİL ÇİZİMİ / Drawing	PROFİL TANIMI / Description	KESİM ÖLÇÜSÜ / Cutting Dimensions
mt	EP2-01		İÇ CAM FİTİL / Inner Glazing Gasket	(10xGM)+(10xGH)
mt	EP1-01		DİŞ CAM FİTİL / Outer Glazing Gasket	(10xGM)+(10xGH)
mt	EP3-03		KANAT BİMLİ FİTİL / Sash Gasket	2XSH
mt	KF 61-550		FİRÇA FİTİL / Brush Gasket - 5,5mm	20XSW
mt	EP02-01		ORTA BİMLİ FİTİL / Gasket For Open Joint	20XSH

AKSESUARLAR / ACCESSORIES

MİKTAR / Pcs	KOD / Code	PROFİL ÇİZİMİ / Drawing	AKSESUAR TANIMI / Description	KESİM ÖLÇÜSÜ / Cutting Dimensions
40 Adet / Pcs	ASL-PB 1214		PİVALİ KOŞE BAĞLANTI / Corner Joint	
20 Adet / Pcs	ASL-FULI 2000		AVARLI KOŞE GÖVYESİ / Corner Alignment	
16 Adet / Pcs	FDA-H 003		ARA MENTEŞE / Standard Hinge	
2 Adet / Pcs	FDA-H 004		GEYME KOLU / Pull Handle	
2 Adet / Pcs	FDA-H 002		ALT MENTEŞE / Bottom Hinge	
2 Adet / Pcs	FDA-H 001		ÜST MENTEŞE / Top Hinge	
1 Adet / Pcs	ASL-DH 002		KAPLI KOLU / Door Handle	
1 Adet / Pcs	ASL-İS3 U 25		DİLLİ KILIT / Cylinder	
1 Adet / Pcs	ASL-İS 90/185D		DİLLİ KILIT KARŞIĞI / Lock Strikes	
1 Adet / Pcs	ASL-BRL 90S		90 LUK SİMETRİK BAREL / Symetric Cylinder 90	
2 Adet / Pcs	FDA-GB 01		ÇİFT YÖNLÜ KILITLAMA / Gear Box - Two Way	
2 Adet / Pcs	FDA-B 01		SUREĞÜ KILITLAMA / Folding Bolt	
2 Adet / Pcs	FDA-K 01		ÇİFT YÖNLÜ KILITLAMA KOLU / Gear Box Handle	
2 Adet / Pcs	12-41		TÜ PROFİLİ / Espag Rod	TH=HH-128
2 Adet / Pcs	12-41		TÜ PROFİLİ / Espag Rod	TH=SH-HH-128
X Adet / Pcs	FDA-M 01		ÜST KASA MONTAJ PARÇASI / Frame Fixed Part	X=FW/300mm



5+1 KANAT KANAT KESİM ÖLÇÜLERİ
5+1 SASH CUTTING LIST

 TEK NOKTADAN KILITLEME AÇILIM TİPİ İÇİN KESİM ÖLÇÜLERİ
 CUTTING SIZES FOR SINGLE POINT LOCKING

PROFİLLER / PROFILES

NO / Number	ADET / Unit	KOD / Code	PROFİL ÇİZİMİ / Drawing	PROFİL TANIMI / Description	KESİM ÖLÇÜSÜ / Cutting Dimensions
1	2	FDT82 01		DÜŞEY KASA PROFİLİ / Vertical Frame Profile	FH-108.5
2	1	FDT82 02		ÜST YATIRAY KASA PROFİLİ / Top Horizontal Frame Profile	FW
3	1	FDT82 06		ALT YATIRAY KASA PROFİLİ / Bottom Horizontal Frame Profile	FW
4	12	FDT82 11		DÜŞEY KANAT PROFİLİ / Vertical Frame Profile	SH-FH-132.5
5	12	FDT82 11		YATIRAY KANAT PROFİLİ / Horizontal Frame Profile	SH-FW-77.7(102)8
6	1	FDT82 41		DİŞ ADAPTOR PROFİLİ / Out Adapter Profile	FH-147
7	1	FDT82 41		İÇ ADAPTOR PROFİLİ / Inside Adapter Profile	FH-135.3
8	24	FDT82 42		KİLİT ADAPTOR PRO. / Brush Adapter Profile	SW
9	12	11-020		DÜŞEY CAM ÇİTASI / Vertical Glazing Bead	GBH-SH-133.6
10	12	11-020		YATIRAY CAM ÇİTASI / Horizontal Glazing Bead	GBW-SW-90

 Alt Yatiray Kasa FDT82 06 Kullanılmıyorsa Dış Adaptörün Kesimi (FH-141,5mm) /
 Bottom Horizontal Frame FDT82 06 If Not Used Cutting the Outer Adapter (FH-141,5mm)

CAM KESİM ÖLÇÜLERİ / GLASS CUTTING SIZES

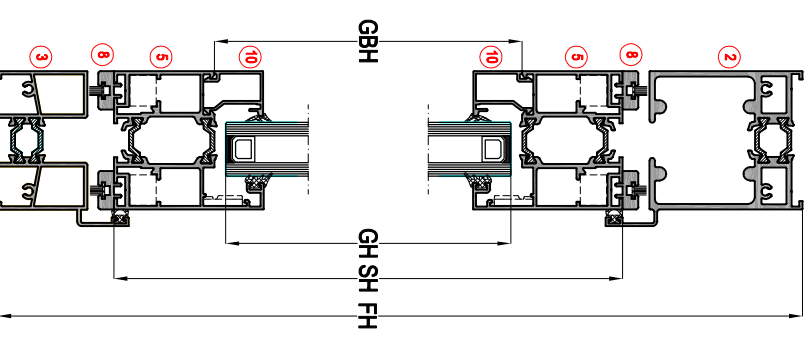
KOD / Code	TANIMI / Description	KESİM ÖLÇÜSÜ / Cutting Dimensions
GW	CAM GENİŞLİK / Sash Glass Width	GH-SW-100
GH	CAM YÜKSEKLİK / Sash Glass Height	GH-SH-100

FİTİLLER / GASKETS

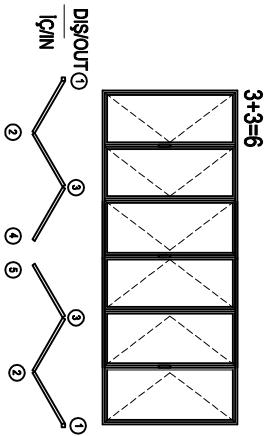
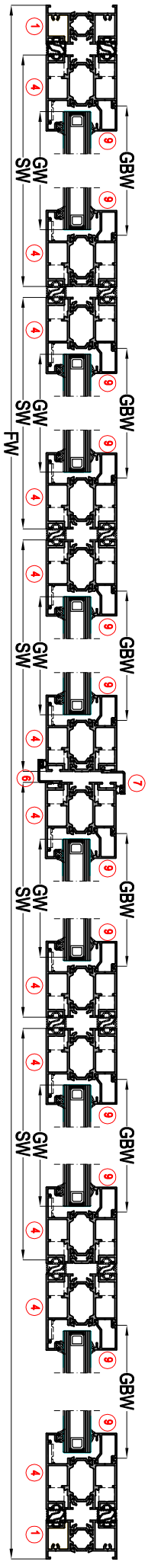
MİKTAR / Unit	KOD / Code	PROFİL ÇİZİMİ / Drawing	PROFİL TANIMI / Description	KESİM ÖLÇÜSÜ / Cutting Dimensions
mt	EP2-01		İÇ CAM FİTİLİ / Inner Glazing Gasket	(12XGM)-(12XGH)
mt	EP1-01		DİŞ CAM FİTİLİ / Outer Glazing Gasket	(12XGM)-(12XGH)
mt	EP3-03		KANAT BİMLİ FİTİLİ / Sash Gasket	2XSH
mt	KF 67-550		FİRÇA FİTİLİ / Brush Gasket - 5,5mm	24XSW
mt	EP82-01		ORTA BİMLİ FİTİLİ / Gasket For Open Joint	24XSH

AKSESUARLAR / ACCESSORIES

MİKTAR / Pcs	KOD / Code	PROFİL ÇİZİMİ / Drawing	AKSESUAR TANIMI / Description	KESİM ÖLÇÜSÜ / Cutting Dimensions
48 Adet / Pcs	ASHP8 1214		PİVALİ KOŞE BAĞLANTI / Corner Joint	
24 Adet / Pcs	ASH-FULU 2000		AVARLU KOŞE GÖVYESİ / Corner Alignment	
20 Adet / Pcs	FDAH 003		ARA MENTEŞE / Standard Hinge	
2 Adet / Pcs	FDAH 004		ÇEKME KOLU / Pull Handle	
2 Adet / Pcs	FDAH 002		ALT MENTEŞE / Bottom Hinge	
2 Adet / Pcs	FDAH 001		ÜST MENTEŞE / Top Hinge	
1 Adet / Pcs	ASH-DH 002		KAPI KOLU / Door Handle	
1 Adet / Pcs	ASH-153 U 25		DİLLİ KILIT / Cylinder	
1 Adet / Pcs	ASH-S 90185D		DİLLİ KILIT KARŞILIĞI / Lock Strikes	
1 Adet / Pcs	ASB-RL 90S		90°LİK SİMETRİK BABEL / Symetric Cylinder 90	
2 Adet / Pcs	FDA-B 01		ÇİFT YÖNLÜ KILITLEME / Gear Box - Two Way	
3 Adet / Pcs	FDA-B 01		SURGU KILITLEME / Folding Bolt	
2 Adet / Pcs	FDA-B 02		SURGU KILITLEME KOLU / Folding Bolt Handle	
2 Adet / Pcs	FDA-K 01		ÇİFT YÖNLÜ KILITLEME KOLU / Gear Box Handle	
3 Adet / Pcs	12-41		TÜ PROFİLİ / Espag Rod	TH1=HH-128
2 Adet / Pcs	12-41		TÜ PROFİLİ / Espag Rod	TH2=SH-HH-128
1 Adet / Pcs	12-41		TÜ PROFİLİ / Espag Rod	TH3=SH12
X Adet / Pcs	FDA-M 01		ÜST KASA MONTAJ PARÇASI / Frame Fixed Part	X-FW/300mm



3+3 KANAT KANAT KESİM ÖLÇÜLERİ
3+3 SASH CUTTING LIST

 TEK NOKTADAN KILITLEME AÇILIM TIPI İÇİN KESİM ÖLÇÜLERİ
 CUTTING SIZES FOR SINGLE POINT LOCKING

PROFİLLER / PROFILES

NO / Number	ADET / UNIT	KOD / Code	PROFİL ÇİZİMİ / Drawing	PROFİL TANIMI / Description	KESİM ÖLÇÜSÜ / Cutting Dimensions
1	2	FDT82 01		DÜŞEY KASA PROFİLİ / Vertical Frame Profile	FH-108.5
2	1	FDT82 02		ÜST YATAY KASA PROFİLİ / Top Horizontal Frame Profile	FW
3	1	FDT82 06		ALT YATAY KASA PROFİLİ / Bottom Horizontal Frame Profile	FW
4	12	FDT82 11		DÜŞEY KANAT PROFİLİ / Vertical Frame Profile	SH-FH-132.5
5	12	FDT82 11		YATAY KANAT PROFİLİ / Horizontal Frame Profile	SH-FW-77.7(102)8
6	1	FDT82 41		DİŞ ADAPTOR PROFİLİ / Out Adapter Profile	FH-147
7	1	FDT82 41		İÇ ADAPTOR PROFİLİ / Inside Adapter Profile	FH-135.3
8	24	FDT82 42		KILIT ADAPTOR PRO. / Brush Adapter Profile	SW
9	12	11-020		DÜŞEY CAM ÇİTASI / Vertical Glazing Bead	GBH-SH-133.6
10	12	11-020		YATAY CAM ÇİTASI / Horizontal Glazing Bead	GBW-SW-90

 Alt Yatay Kasa FDT82 06 Kullanılmıyorsa Diğ. Adaptörün kesimi (FH-141,5mm) /
 Bottom Horizontal Frame FDT82 06 if Not Used Cutting the Outer Adapter (FH-141,5mm)

CAM KESİM ÖLÇÜLERİ / GLASS CUTTING SIZES

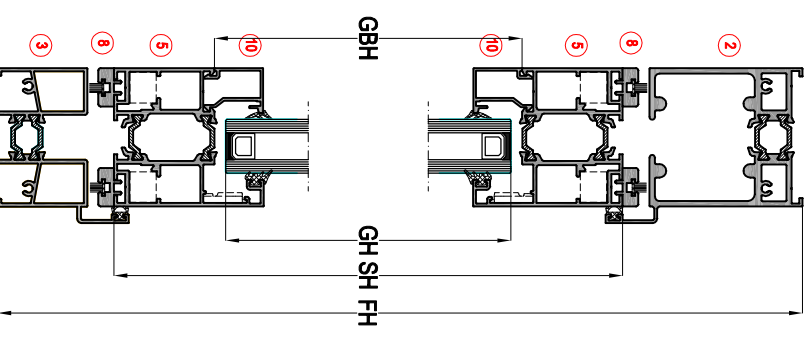
KOD / Code	TANIMI / Description	KESİM ÖLÇÜSÜ / Cutting Dimensions
GW	CAM GENİŞLİK / Sash Glass Width	GH-SW-100
GH	CAM YÜKSEKLİK / Sash Glass Height	GH-SH-100

FİTİLLER / GASKETS

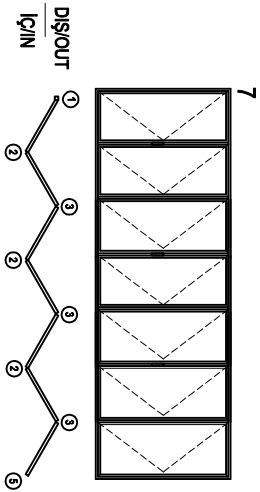
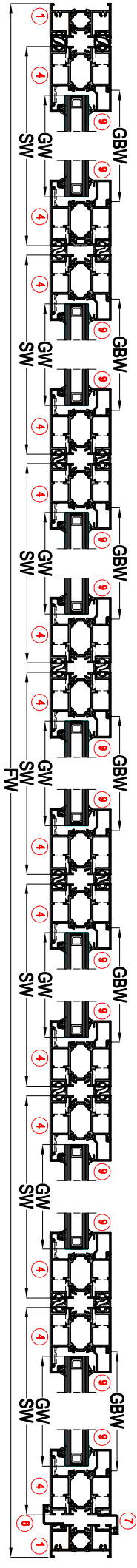
MİKTAR / UNIT	KOD / Code	PROFİL ÇİZİMİ / Drawing	PROFİL TANIMI / Description	KESİM ÖLÇÜSÜ / Cutting Dimensions
mt	EP2-01		İÇ CAM FİTİLİ / Inner Glazing Gasket	(12XGM)X(12XGH)
mt	EP1-01		DİŞ CAM FİTİLİ / Outer Glazing Gasket	(12XGM)X(12XGH)
mt	EP3-03		KANAT BİMLİ FİTİLİ / Sash Gasket	2XSH
mt	KF-67-550		FİRÇA FİTİLİ / Brush Gasket - 5.5mm	24XSW
mt	EP82-01		ORTA BİMLİ FİTİLİ / Gasket for Open Joint	24XSH

AKSESUARLAR / ACCESSORIES

MİKTAR / Pcs	KOD / Code	AKSESUAR ÇİZİMİ / Drawing	AKSESUAR TANIMI / Description	KESİM ÖLÇÜSÜ / Cutting Dimensions
48 Adet / Pcs	ASH-P9 1214		PİVALİ KOŞE BAĞLANTI / Corner Joint	
24 Adet / Pcs	ASH-FULI 2000		AVARLU KOŞE GÖNYESİ / Corner Alignment	
20 Adet / Pcs	FDAH-003		ARA MENTEŞE / Standard Hinge	
2 Adet / Pcs	FDAH-004		GEKME KOLU / Pull Handle	
2 Adet / Pcs	FDAH-002		ALT MENTEŞE / Bottom Hinge	
2 Adet / Pcs	FDAH-001		ÜST MENTEŞE / Top Hinge	
1 Adet / Pcs	ASH-DH 002		KAPI KOLU / Door Handle	
1 Adet / Pcs	ASH-İ53 U 25		DİLLİ KILIT / Cylinder	
1 Adet / Pcs	ASH-S 90185D		DİLLİ KILIT KARŞILIĞI / Lock Strikes	
1 Adet / Pcs	ASH-BRL 90S		90 LUK SİMETRİK BABEL / Symetric Cylinder 90	
2 Adet / Pcs	FDA-CB 01		ÇİFT YÖNLÜ KILITLEME / Gear Box - Two Way	
3 Adet / Pcs	FDA-B 01		SURUGU KILITLEME / Folding Bolt	
2 Adet / Pcs	FDA-B 02		SURUGU KILITLEME KOLU / Folding Bolt Handle	
2 Adet / Pcs	FDA-K 01		ÇİFT YÖNLÜ KILITLEME KOLU / Gear Box Handle	
3 Adet / Pcs	12-41		TÜ PROFİLİ / Espag Rod	TH1=HH-128
2 Adet / Pcs	12-41		TÜ PROFİLİ / Espag Rod	TH2=SH-HH-128
1 Adet / Pcs	12-41		TÜ PROFİLİ / Espag Rod	TH3=SH2
X Adet / Pcs	FDA-M 01		ÜST KASA MONTAJ PARÇASI / Frame Fixed Part	X-FW/300mm



7+0 KANAT KANAT KESİM ÖLÇÜLERİ
7+0 SASH CUTTING LIST

 TEK NOKTADAN KILITLEME AÇILIM TIPI İÇİN KESİM ÖLÇÜLERİ
 CUTTING SIZES FOR SINGLE POINT LOCKING

PROFİLLER / PROFILES

NO / ADET / Unit	KOD / Code / Drawing	PROFİL ÇİZİMİ / Drawing	PROFİL TANIMI / Description	KESİM ÖLÇÜSÜ / Cutting Dimensions
1	2		DÜŞEY KASA PROFİLİ / Vertical Frame Profile	FH-108,5
2	1		ÜST YATAY KASA PROFİLİ / Top Horizontal Frame Profile	FW
3	1		ALT YATAY KASA PROFİLİ / Bottom Horizontal Frame Profile	FW
4	14		DÜŞEY KANAT PROFİLİ / Vertical Frame Profile	SH=FH-132,5
5	14		YATAY KANAT PROFİLİ / Horizontal Frame Profile	SW=FW-77,7(10X7)X
6	1		DİŞ ADAPTÖR PROFİLİ / Out Adapter Profile	FH-147
7	1		İÇ ADAPTÖR PROFİLİ / Inside Adapter Profile	FH-135,3
8	28		KİLİT ADAPTÖR PRO. / Brush Adapter Profile	SW
9	14		DÜŞEY CAM ÇİTASI / Vertical Glazing Bead	GBH=SH-133,6
10	14		YATAY CAM ÇİTASI / Horizontal Glazing Bead	GBW=SW-90

Alt Yatay Kasa FDT82 08 Kullanılmıyorsa Diğ. Adaptörün kesimi (FH-141,5mm) / Bottom Horizontal Frame FDT82 08 if Not Used Cutting the Outer Adapter (FH-141,5mm)

CAM KESİM ÖLÇÜLERİ / GLASS CUTTING SIZES

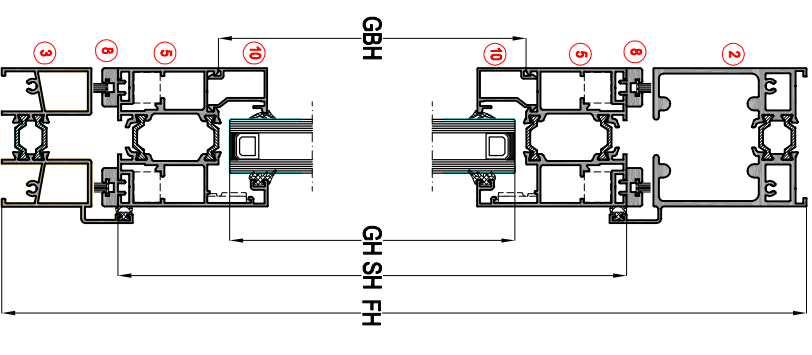
KOD / Code	TANIMI / Description	KESİM ÖLÇÜSÜ / Cutting Dimensions
GW	CAM GENİŞLİK / Sash Glass Width	GH=SW-100
GH	CAM YÜKSEKLİK / Sash Glass Height	GH=SH-100

FİTİLLER / GASKETS

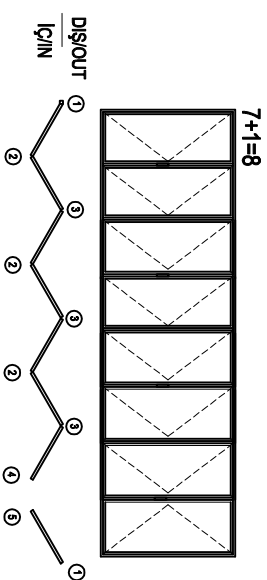
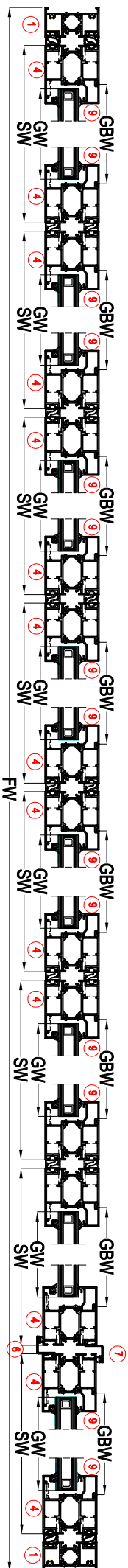
MİKTAR / Unit	KOD / Code	PROFİL ÇİZİMİ / Drawing	PROFİL TANIMI / Description	KESİM ÖLÇÜSÜ / Cutting Dimensions
mt	EP2-01		İÇ CAM FİTİLİ / Inner Glazing Gasket	(14XGM)X(14XGH)
mt	EP1-01		DİŞ CAM FİTİLİ / Outer Glazing Gasket	(14XGM)X(14XGH)
mt	EP3-03		KANAT BİMLİ FİTİLİ / Sash Gasket	2XSH
mt	KF 67-550		FİRÇA FİTİLİ / Brush Gasket - 5,5mm	28XSW
mt	EP62-01		ORTA BİMLİ FİTİLİ / Gasket For Open Joint	28XSH

AKSESUARLAR / ACCESSORIES

56 Adet / Pcs	ASH-P3 1214		PİVALİ KÖŞE BAĞLANTI / Corner Joint	
28 Adet / Pcs	ASH-FUJ1 2000		AYARLI KÖŞE GÖVYESİ / Corner Alignment	
22 Adet / Pcs	FDA-H 003		ARA MENTEŞE / Standard Hinge	
3 Adet / Pcs	FDA-H 004		ÇEKME KOL / Pull Handle	
3 Adet / Pcs	FDA-H 002		ALT MENTEŞE / Bottom Hinge	
3 Adet / Pcs	FDA-H 001		ÜST MENTEŞE / Top Hinge	
1 Adet / Pcs	ASH-DH 002		KAPI KOLU / Door Handle	
1 Adet / Pcs	ASH-153 U 25		DİLLİ KILIT / Cylinder	
1 Adet / Pcs	ASH-S 9018SD		DİLLİ KILIT KARŞILIĞI / Lock Shikes	
1 Adet / Pcs	ASH-BRL 90S		90 LK SİMETRİK BARTEL / Symetric Cylinder 90	
3 Adet / Pcs	FDA-GB 01		ÇİFT YÖNLÜ KILITLEME / Gear Box - Two Way	
3 Adet / Pcs	FDA-B 01		SURUĞU KILITLEME / Folding Bolt	
3 Adet / Pcs	FDA-K 01		ÇİFT YÖNLÜ KILITLEME KOLU / Gear Box Handle	
3 Adet / Pcs	12-41		TÜ PROFİLİ / Espag Rod	TH=HH-128
3 Adet / Pcs	12-41		TÜ PROFİLİ / Espag Rod	TH=SH-HH-128
X Adet / Pcs	FDA-M 01		ÜST KASA MONTAJ PARÇASI / Frame Fixed Part	X=F/W/300mm



7+1 KANAT KANAT KESİM ÖLÇÜLERİ
7+1 SASH CUTTING LIST

 TEK NOKTADAN KILITLEME AÇILIM TIPI İÇİN KESİM ÖLÇÜLERİ
 CUTTING SIZES FOR SINGLE POINT LOCKING

PROFİLLER / PROFILES

NO / Number	ADET / Unit	KOD / Code	PROFİL ÇİZİMİ / Drawing	PROFİL TANIMI / Description	KESİM ÖLÇÜSÜ / Cutting Dimensions
1	2	FDTR2 01		DÜŞEY KASA PROFİLİ / Vertical Frame Profile	FH-108,5
2	1	FDTR2 02		ÜST YATAY KASA PROFİLİ / Top Horizontal Frame Profile	FW
3	1	FDTR2 06		ALT YATAY KASA PROFİLİ / Bottom Horizontal Frame Profile	FW
4	14	FDTR2 11		DÜŞEY KANAT PROFİLİ / Vertical Frame Profile	SH=FH-132,5
5	14	FDTR2 11		YATAY KANAT PROFİLİ / Horizontal Frame Profile	SH=FH-104-(10X20)
6	1	FDTR2 41		DİŞ ADAPTOR PROFİLİ / Out Adapter Profile	FH-147
7	1	FDTR2 41		İÇ ADAPTOR PROFİLİ / Inside Adapter Profile	FH-135,3
8	28	FDTR2 42		KİLİT ADAPTOR PRO. / Brush Adapter Profile	SW
9	14	11-020		DÜŞEY CAM ÇITASI / Vertical Glazing Bead	GBH-SH-133,6
10	14	11-020		YATAY CAM ÇITASI / Horizontal Glazing Bead	GBW=SW-90

 Alt Yatay Kasa FDTR2 06 Kullanılmıyorsa Diğ. Adaptörün kesimi (FH-141,5mm) /
 Bottom Horizontal Frame FDTR2 06 if Not Used Cutting the Outer Adapter (FH-141,5mm)

CAM KESİM ÖLÇÜLERİ / GLASS CUTTING SIZES

KOD / Code	TANIMI / Description	KESİM ÖLÇÜSÜ / Cutting Dimensions
GW	CAM GENİŞLİK / Sash Glass Width	GH=SW-100
GH	CAM YÜKSEKLİK / Sash Glass Height	GH=SH-100

FİTİLLER / GASKETS

MİKTAR / Unit	KOD / Code	PROFİL ÇİZİMİ / Drawing	PROFİL TANIMI / Description	KESİM ÖLÇÜSÜ / Cutting Dimensions
mt	EP2-01		İÇ CAM FİTİLİ / Inner Glazing Gasket	(16xGM) \times (16xGH)
mt	EP4-01		DİŞ CAM FİTİLİ / Outer Glazing Gasket	(16xGM) \times (16xGH)
mt	EP3-03		KANAT BİMLİ FİTİLİ / Sash Gasket	2XSH
mt	KF 67-550		FİRÇA FİTİLİ / Brush Gasket - 5,5mm	32XSW
mt	EP2-01		ORTA BİMLİ FİTİLİ / Gasket for Open Joint	32XSH

AKSESUARLAR / ACCESSORIES

MİKTAR / Pcs	KOD / Code	AKSESUAR ÇİZİMİ / Drawing	AKSESUAR TANIMI / Description	AKSESUAR TANIMI / Description
64 Adet / Pcs	ASIP3 1214		PİVALİ KOŞE BAĞLANTI / Corner Joint	
32 Adet / Pcs	ASIFLU1 2000		AVARLU KOŞE GÖNYESİ / Corner Alignment	
26 Adet / Pcs	FDAH 003		ARA MENTEŞE / Standard Hinge	
3 Adet / Pcs	FDAH 004		GEKME KOLU / Pull Handle	
3 Adet / Pcs	FDAH 002		ALT MENTEŞE / Bottom Hinge	
3 Adet / Pcs	FDAH 001		ÜST MENTEŞE / Top Hinge	
1 Adet / Pcs	ASLDH 002		KAPI KOLU / Door Handle	
1 Adet / Pcs	ASL53 U 25		DİLLİ KILIT / Cylinder	
1 Adet / Pcs	ASLS 901850		DİLLİ KILIT KARŞILIĞI / Lock Strikes	
1 Adet / Pcs	ASIBRL 90S		90 LUK SİMETRİK BABEL / Symetric Cylinder 90	
3 Adet / Pcs	FDA-G 01		ÇİFT YÖNLÜ KILITLEME / Gear Box - Two Way	
4 Adet / Pcs	FDA-B 01		SURUGU KILITLEME / Folding Bolt	
2 Adet / Pcs	FDA-B 02		SURUGU KILITLEME KOLU / Folding Bolt Handle	
3 Adet / Pcs	FDA-K 01		ÇİFT YÖNLÜ KILITLEME KOLU / Gear Box Handle	
4 Adet / Pcs	12-41		TÜ PROFİLİ / Espag Rod	TH1=HH-126
3 Adet / Pcs	12-41		TÜ PROFİLİ / Espag Rod	TH2=SH-HH-126
1 Adet / Pcs	12-41		TÜ PROFİLİ / Espag Rod	TH3=SH2
X Adet / Pcs	FDA-M 01		ÜST KASA MONTAJ PARÇASI / Frame Fixed Part	X=FW/300mm

