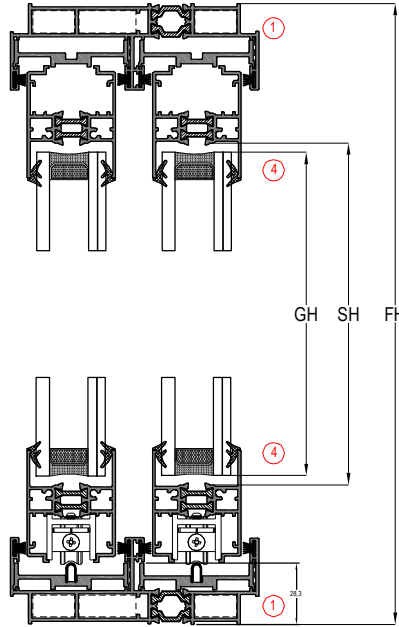
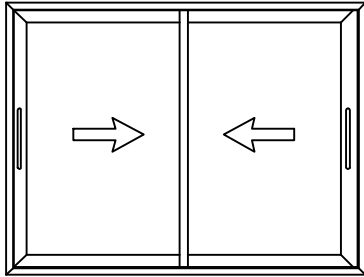
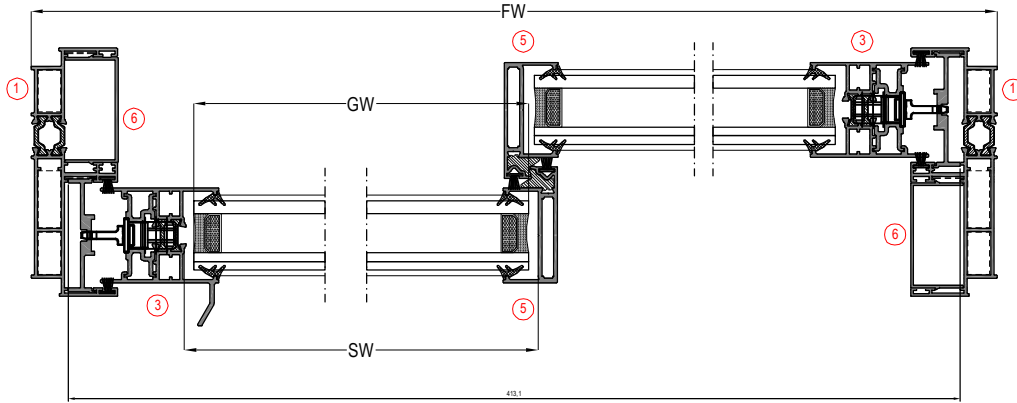


2 HAREKETLİ KANAT KESİM ÖLÇÜLERİ
2 SLIDING SASHES CUTTING SIZE

CAM KESİM ÖLÇÜLERİ / GLASS CUTTING SIZES

KOD / Code	TANIMI / Description	KESİM ÖLÇÜSÜ / Cutting Dimensions
GW	CAM GENİŞLİK / Sash Glass Width	$GW=(FW/2)-76,9mm$
GH	CAM YÜKSEKLİK / Sash Glass Height	$GH=FW-137,2mm$

PROFİLLER / PROFILES

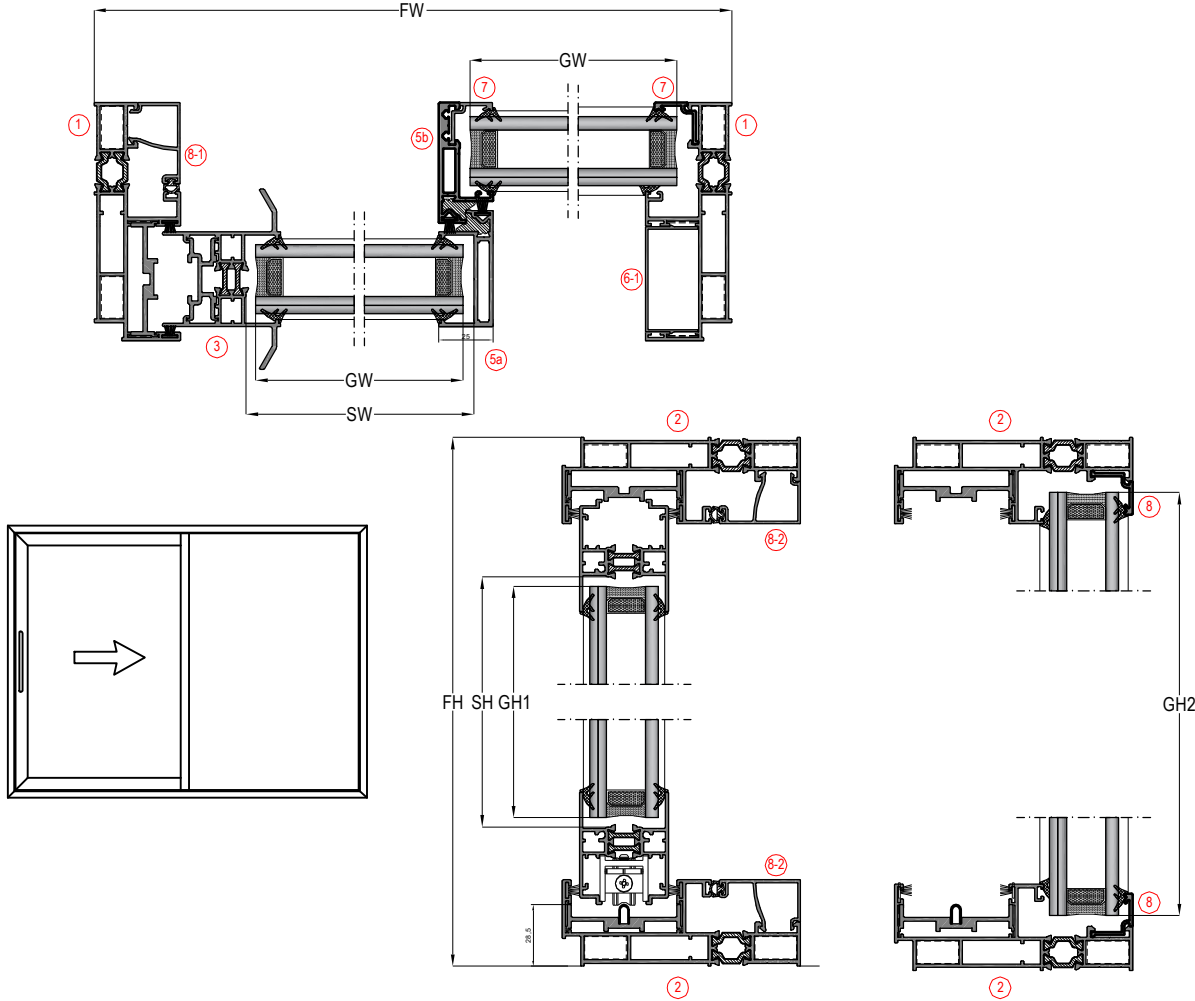
NO / Number	ADET / Unit	KOD / Code	PROFİL ÇİZİMİ / Drawing	PROFİL TANIMI / Description	KESİM ÖLÇÜSÜ / Cutting Dimensions
1	2	ASM41T-01		DÜŞEY KASA PROFİLİ / Vertical Frame Profile	FH
2	2	ASM41T-01		YATAY KASA PROFİLİ / Horizontal Frame Profile	FW
3	2	ASM41T-11-13-14		DÜŞEY KANAT PROFİLİ / Vertical Sash Profile	SH=FW-63mm
4	4	ASM41T-12		YATAY KANAT PROFİLİ / Horizontal Sash Profile	$SW=(FW/2)-67,5mm$
5	2	ASM41T-41		KENET PROFİLİ / Central Locking Profile	SH=FW-63mm
6	2	ASM41T-64		KAPAK PROFİLİ / Cover Profile	FH-58mm
	2	ASM41T-61		YATAY RAY KANAL PR. / Rail Channel Pr.	FW-32mm
	2	ASM41T-61		DÜŞEY RAY KANAL PR. / Rail Channel Pr.	FH-58mm
	2	ASM41T-62		İSPANYOLET KANAL / Channel Profile	SH
	2	ASI-INR 01		ÇELİK RAY PROFİLİ / Steel Rail Profile	FW-32mm

FİTİLLER / GASKETS

MİKTAR / Unit	KOD / Code	PROFİL ÇİZİMİ / Drawing	PROFİL TANIMI / Description	KESİM ÖLÇÜSÜ / Cutting Dimensions
mt.	EP2-01		CAM FİTİLİ / Glazing Gasket	$(4xGW)+(4xGH)$
mt.	ASM41T-EP04		KENET FİTİLİ / Interlock Gasket	(2XSH)
mt.	KF 67-700		FİRÇA FİTİL / Brush Gasket - 7mm	$4xFW+4XFH+2XSH$

AKSESUARLAR / ACCESSORIES

8 Adet / Pcs	ASI-PB 1119 ASI-KT 1119		PİMLİ-PRESS BAĞLANTI / Corner Joint Pin	
12 Adet / Pcs	ASI-PB 19.1		KÖŞE GÖNYESİ / Corner Alignment	
4 Adet / Pcs	AS41T-KP		KENET KAPAĞI ALT-ÜST / Interlock Profile Cap Top-Bottom	
2 Adet / Pcs	AS41T-SFP 01		ALT-ÜST HAVA KESİCİ BOTTOM-TOP WEATHER PROTECTOR	
2 Adet / Pcs	ASI-ISP 15.3		İSPANYOLET KİLİTLEME / Multi Point Lock	
6 Adet / Pcs	ASI-ISP K02		İSPANYOLET KİLİT KARŞILIĞI / Multi Point Strike	
2 Adet / Pcs	ASI-WH 002		İSPANYOLET KİLİTLEME KOL / Window Handle	
4 Adet / Pcs	ASI-SR 02R-INOX		PASLANMAZ RULMAN / INOX ROLLER	

MONORAIL KASA KESİM ÖLÇÜLERİ
MONORAIL FRAME CUTTING SIZE

CAM KESİM ÖLÇÜLERİ / GLASS CUTTING SIZES

KOD / Code	TANIMI / Description	KESİM ÖLÇÜSÜ / Cutting Dimensions
GW	CAM GENİŞLİK / Sash Glass Width	GW=FW/2-51,7mm
GH1	CAM YÜKSEKLİK / Sash Glass Height	GH1=FW-137,2mm
GH2	CAM YÜKSEKLİK / Fix Glass Height	GH2=FW-50,8mm

PROFİLLER / PROFILES

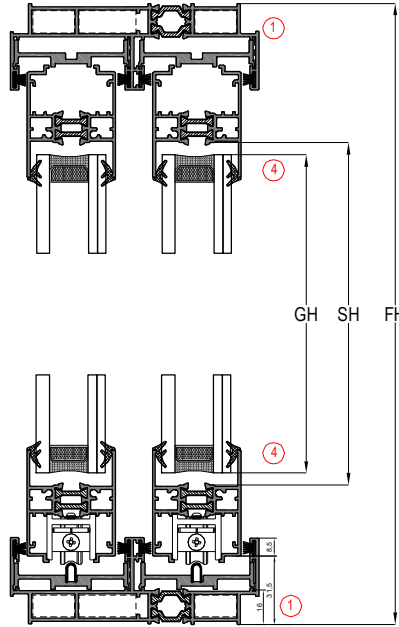
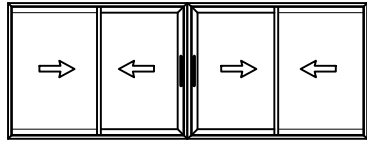
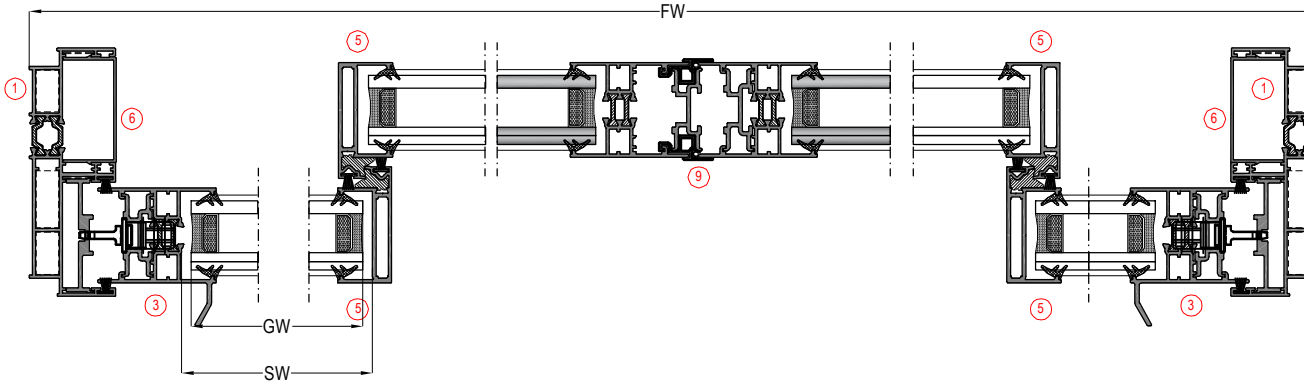
NO / Number	ADET / Unit	KOD / Code	PROFİL ÇİZİMİ / Drawing	PROFİL TANIMI / Description	KESİM ÖLÇÜSÜ / Cutting Dimensions
1	2	ASM41T-06		DÜŞEY KASA PROFİLİ / Vertical Frame Profile	FH
2	2	ASM41T-06		YATAY KASA PROFİLİ / Horizontal Frame Profile	FW
3	1	ASM41T-11-13-14		DÜŞEY KANAT PROFİLİ / Vertical Sash Profile	SH=FW-63mm
4	4	ASM41T-12		YATAY KANAT PROFİLİ / Horizontal Frame Profile	SW=(FW/2)-42,4mm
5_A	1	ASM41T-41		KENET PROFİLİ / Central Locking Profile	SH=FW-63mm
5_B	1	ASM41T-42		KENET PROFİLİ / Central Locking Profile	SH=FW-40,8mm
5_B***	1	ASM41T-44		KENET PROFİLİ / Central Locking Profile	FH
6	1	ASM41T-64		DÜŞEY KAPAK PROFİLİ / Cover Profile	FH-58mm
7	2	ASM10-04		MONORAIL CAM Ç. PROFİLİ / Glazing Bead Pro.	(FW/2)-32,1mm
8	1	ASM10-04		MONORAIL CAM Ç. PROFİLİ / Glazing Bead Pro.	FH-71,2mm
	1	ASM41T-61		DÜŞEY RAY KANAL PR. / Rail Channel Pr.	FH-58mm
	2	ASM41T-61		RAY KANAL PR. / Rail Channel Pr.	FW-32mm
	1	ASM41T-62		İSPANYOLET KANAL / Channel Profile	SH
8_2	2	ASM41T-38		MONORAIL CAM Ç. PROFİLİ / Glazing Bead Pro.	(FW/2)-4,5mm
8_1	1	ASM41T-38		MONORAIL CAM Ç. PROFİLİ / Glazing Bead Pro.	FH-80mm
	1	ASI-INR 01		ÇELİK RAY PROFİLİ / Steel Rail Profile	FW-32mm

FİTİLLER / GASKETS

MİKTAR / Unit	KOD / Code	PROFİL ÇİZİMİ / Drawing	PROFİL TANIMI / Description	KESİM ÖLÇÜSÜ / Cutting Dimensions
Mt.	EP2-01		CAM FİTİLİ / Glazing Gasket	(4xGW)+(4xGH)
Mt.	ASM41T-EP04		KENET FİTİLİ / Interlock Gasket	(2XSH)
Mt.	KF 67-700		FİRÇA FİTİL / Brush Gasket - 7mm	4xFW+4XFW+2XSH
Mt.	EP3-03		ADAPTOR BİNİ FİTİLİ / Gasket	(FW+FH)

AKSESUARLAR / ACCESSORIES

8 Adet / Pcs	ASI-PB 1119 ASI-KT 1119		PİMLİ-PRESS BAĞLANTI / Corner Joint Pin	
8 Adet / Pcs	ASI-PB 19.1		KÖŞE GÖNYESİ / Corner Alignment	
2 Adet / Pcs	AS41T-KP		KENET KAPAĞI ALT-ÜST / Interlock Profile Cap Top-Bottom	
2 Adet / Pcs	AS41T-SFP 02		ALT-ÜST HAVA KESİCİ BOTTOM-TOP WEATHER PROTECTOR	
1 Adet / Pcs	ASI-ISP 15.3		İSPANYOLET KİLİTLEME / Multi Point Lock	
3 Adet / Pcs	ASI-ISP K02		İSPANYOLET KİLİT KARŞILIĞI / Multi Point Strike	
1 Adet / Pcs	ASI-WH 002		İSPANYOLET KİLİTLEME KOL / Window Handle	
2 Adet / Pcs	ASI-SR 02R-INOX		PASLANMAZ RULMAN / INOX ROLLER	

4 HAREKETLİ KANAT KESİM ÖLÇÜLERİ
4 SLIDING SASHES CUTTING SIZE

CAM KESİM ÖLÇÜLERİ / GLASS CUTTING SIZES

KOD / Code	TANIMI / Description	KESİM ÖLÇÜSÜ / Cutting Dimensions
GW	CAM GENİŞLİK / Sash Glass Width	$GW=(FW/4)-61.7$
GH	CAM YÜKSEKLİK / Sash Glass Height	$GH=SH-137,2mm$

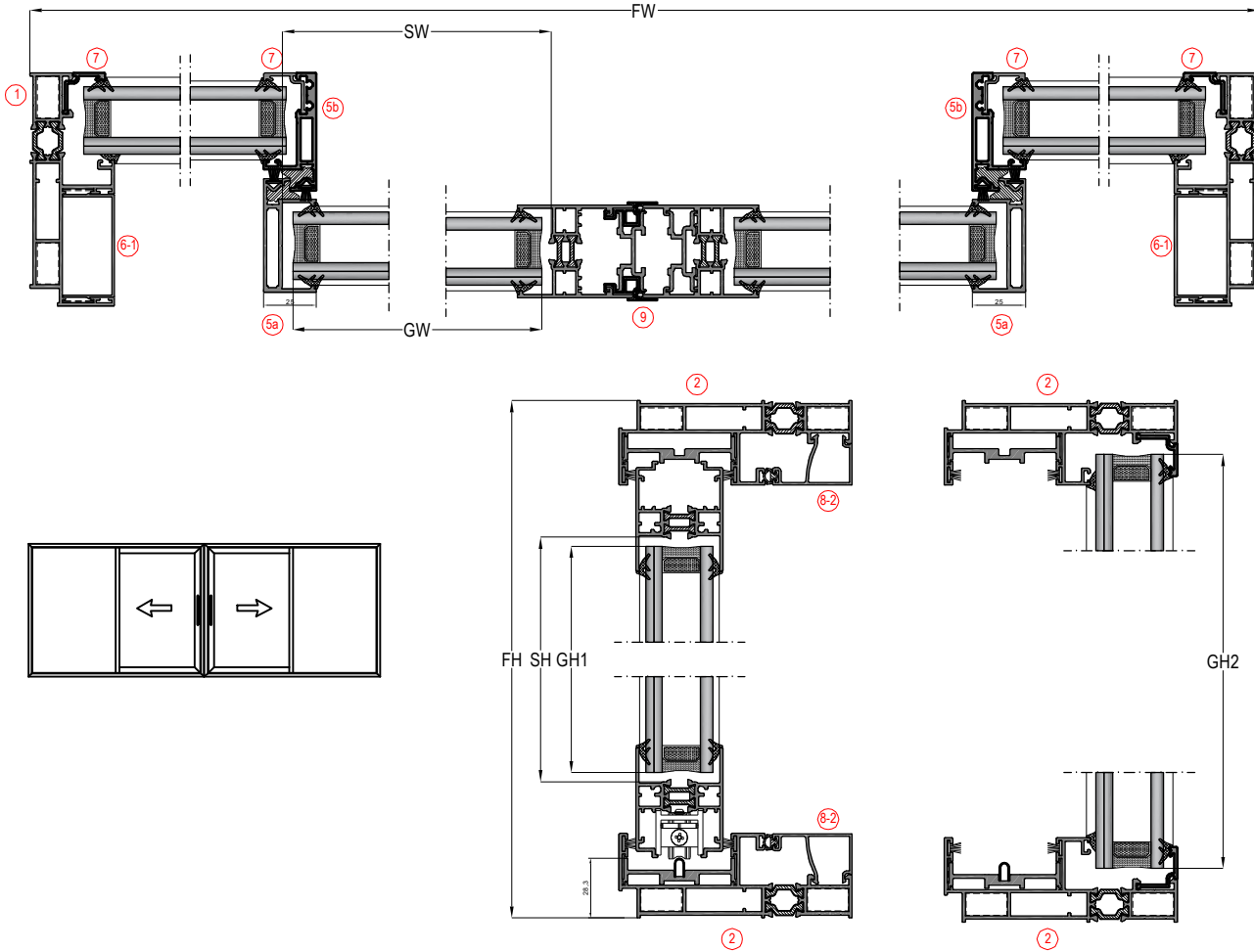
PROFİLLER / PROFILES					
NO / Number	ADET / Unit	KOD / Code	PROFİL ÇİZİMİ / Drawing	PROFİL TANIMI / Description	KESİM ÖLÇÜSÜ / Cutting Dimensions
1	2	ASM41T-01		DÜŞEY KASA PROFİLİ / Vertical Frame Profile	FH
2	2	ASM41T-01		YATAY KASA PROFİLİ / Horizontal Frame Profile	FW
3	4	ASM41T-11-13-14		DÜŞEY KANAT PROFİLİ / Vertical Sash Profile	$SH=FW-63mm$
4	4	ASM41T-12		YATAY KANAT PROFİLİ / Horizontal Frame Profile	$SW=(FW/4)+52,4mm$
5	2	ASM41T-41		KENET PROFİLİ / Central Locking Profile	$SH=FW-63mm$
6	2	ASM41T-64		KAPAK PROFİLİ / Cover Profile	FH-58mm
	2	ASM41T-61		YATAY RAY KANAL PR. / Rail Channel Pr.	FW-32mm
	2	ASM41T-61		DÜŞEY RAY KANAL PR. / Rail Channel Pr.	FH-58mm
	4	ASM41T-62		İSPANYOLET KANAL / Channel Profile	SH
	2	ASI-INR 01		ÇELİK RAY PROFİLİ / Steel Rail Profile	FW-32mm
9	2	ASM41T-63		ORTA ADAPTOR PRO. / Adapter	SH1

FİTİLLER / GASKETS

MİKTAR / Unit	KOD / Code	PROFİL ÇİZİMİ / Drawing	PROFİL TANIMI / Description	KESİM ÖLÇÜSÜ / Cutting Dimensions
mt.	EP2-01		CAM FİTİLİ / Glazing Gasket	$(8xGW)+(8xGH)$
mt.	ASM41T-EP04		KENET FİTİLİ / Interlock Gasket	$(4XSH)$
mt.	KF 67-700		FİRÇA FİTİL / Brush Gasket - 7mm	$4xFW+4XFH+4XSH$
Mt.	EP 03 010612		KANAL FİTİLİ / Gasket	$(2XSH)$

AKSESUARLAR / ACCESSORIES

8 Adet / Pcs	ASI-PB 1119 ASI-KT 1119		PİMLİ-PRESS BAĞLANTI / Corner Joint Pin	
12 Adet / Pcs	ASI-PB 19.1		KÖŞE GÖNYESİ / Corner Alignment	
8 Adet / Pcs	AS41T-KP		KENET KAPAĞI ALT-ÜST / Interlock Profile Cap Top-Bottom	
6 Adet / Pcs	AS41T-SFP 01		ALT-ÜST HAVA KESİCİ BOTTOM-TOP WEATHER PROTECTOR	
3 Adet / Pcs	ASI-ISP 15.3		İSPANYOLET KİLİTLEME / Multi Point Lock	
9 Adet / Pcs	ASI-ISP K02		İSPANYOLET KİLİT KARŞILIĞI / Multi Point Strike	
3 Adet / Pcs	ASI-WH 002		İSPANYOLET KİLİTLEME KOL / Window Handle	
8 Adet / Pcs	ASI-SR 02R-INOX		PASLANMAZ RULMAN / INOX ROLLER	

ORTA ADAPTORLU MONORAIL KASA KESİM ÖLÇÜLERİ
METTING STILE MONORAIL FRAME CUTTING SIZE

CAM KESİM ÖLÇÜLERİ / GLASS CUTTING SIZES

KOD / Code	TANIMI / Description	KESİM ÖLÇÜSÜ / Cutting Dimensions
GW	CAM GENİŞLİK / Sash Glass Width	$GW=(FW/4)-37,1$ mm
GH1	CAM YÜKSEKLİK / Sash Glass Height	GH=FW-137,2mm
GH2	CAM YÜKSEKLİK / Fix Glass Height	GH2=FW-50,8mm

PROFİLLER / PROFILES

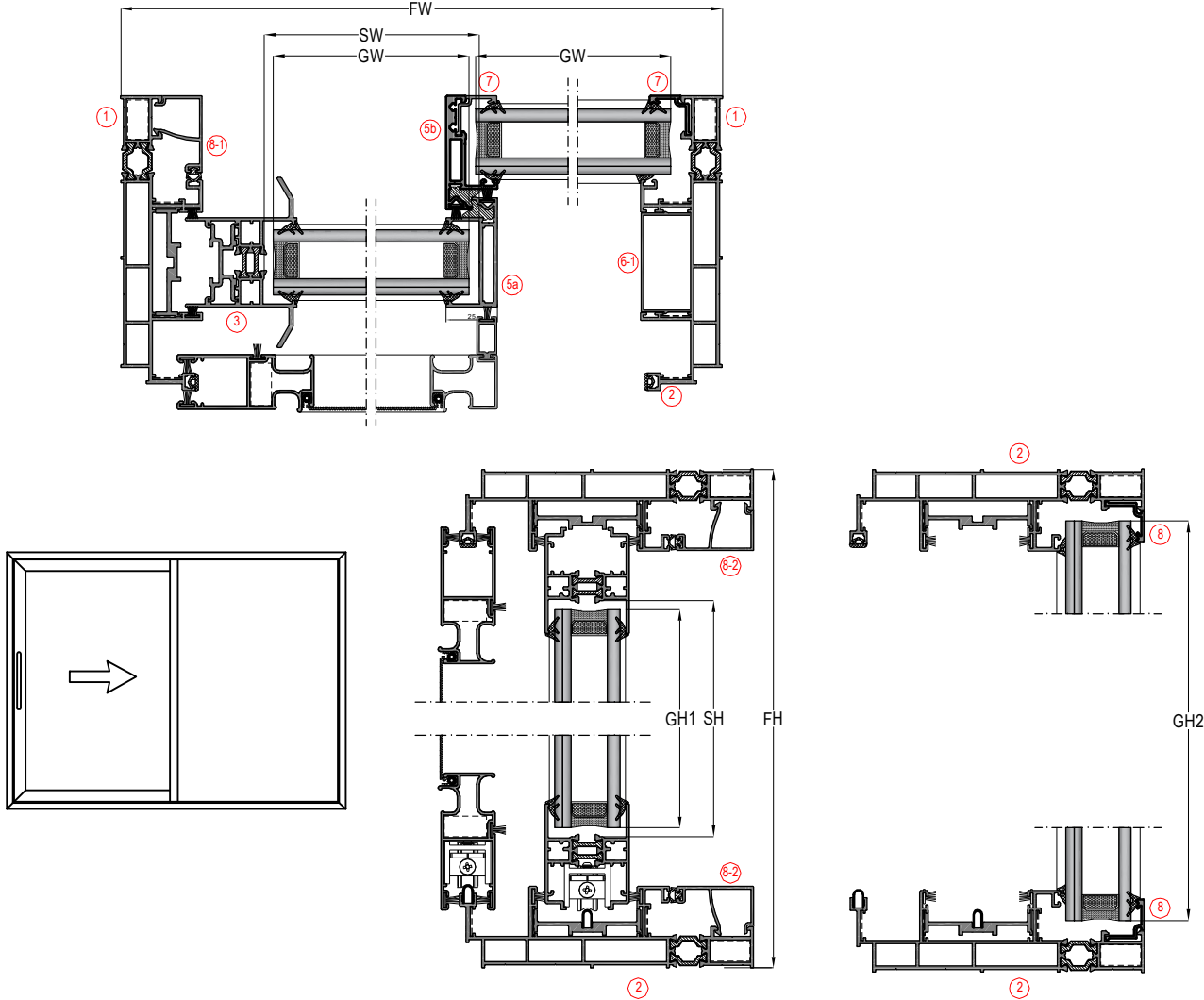
NO / Number	ADET / Unit	KOD / Code	PROFİL ÇİZİMİ / Drawing	PROFİL TANIMI / Description	KESİM ÖLÇÜSÜ / Cutting Dimensions
1	2	ASM41T-06		DÜŞEY KASA PROFİLİ / Vertical Frame Profile	FH
2	2	ASM41T-06		YATAY KASA PROFİLİ / Horizontal Frame Profile	FW
3	2	ASM41T-11-13-14		DÜŞEY KANAT PROFİLİ / Vertical Sash Profile	$SH=FW-63mm$
4	4	ASM41T-12		YATAY KANAT PROFİLİ / Horizontal Frame Profile	$SW=(FW/4)-27,8$ mm
5_A	2	ASM41T-41		KENET PROFİLİ / Central Locking Profile	SH1=FW-63mm
5_B	2	ASM41T-42		KENET PROFİLİ / Central Locking Profile	SH2=FW-40,8mm
5_B	1	ASM41T-44		KENET PROFİLİ / Central Locking Profile	FH
6_1	2	ASM41T-64		DÜŞEY KAPAK PROFİLİ / Cover Profile	FH-58mm
7	2	ASM10-04		MONORAIL CAM Ç. PROFİLİ / Glazing Bead Pro.	$(FW/4)-17,5mm$
8	2	ASM10-04		MONORAIL CAM Ç. PROFİLİ / Glazing Bead Pro.	FW-71,2mm
	4	ASM41T-61		RAY KANAL PR. / Rail Channel Pr.	FW-32mm
	2	ASM41T-62		İSPANYOLET KANAL / Channel Profile	SH1
8_2	2	ASM41T-38		MONORAIL CAM Ç. PROFİLİ / Glazing Bead Pro.	$(FW/2)-5,5mm$
	1	ASI-INR 01		ÇELİK RAY PROFİLİ / Steel Rail Profile	FW-32mm
9	2	ASM41T-63		ORTA ADAPTOR PRO. / Adapter	SH1

FİTİLLER / GASKETS

MİKTAR / Unit	KOD / Code	PROFİL ÇİZİMİ / Drawing	PROFİL TANIMI / Description	KESİM ÖLÇÜSÜ / Cutting Dimensions
Mt.	EP2-01		CAM FİTİLİ / Glazing Gasket	$(8xGW)+(8xGH)$
Mt.	ASM41T-EP04		KENET FİTİLİ / Interlock Gasket	(4XSH)
Mt.	KF 67-700		FİRÇA FİTİL / Brush Gasket - 7mm	$2xFW+4xFW$
Mt.	EP3-03		ADAPTOR BİNİ FİTİLİ / Gasket	FW
Mt.	EP 03 010612		KANAL FİTİLİ / Gasket	(2XSH)

AKSESUARLAR / ACCESSORIES

8 Adet / Pcs	ASI-PB 1119 ASI-KT 1119		PİMLİ-PRESS BAĞLANTI / Corner Joint Pin	
8 Adet / Pcs	ASI-PB 19.1		KÖŞE GÖNYESİ / Corner Alignment	
4 Adet / Pcs	AS41T-KP		KENET KAPAĞI ALT-ÜST / Interlock Profile Cap Top-Bottom	
6 Adet / Pcs	AS41T-SFP 02		ALT-ÜST HAVA KESİCİ BOTTOM-TOP WEATHER PROTECTOR	
1 Adet / Pcs	ASI-ISP 15.3		İSPANYOLET KİLİTLEME / Multi Point Lock	
3 Adet / Pcs	ASI-ISP K02		İSPANYOLET KİLİT KARŞILIĞI / Multi Point Strike	
1 Adet / Pcs	ASI-WH 002		İSPANYOLET KİLİTLEME KOL / Window Handle	
4 Adet / Pcs	ASI-SR 02R-INOX		PASLANMAZ RULMAN / INOX ROLLER	

MONORAIL SİNEKLİKLİ KASA KESİM ÖLÇÜLERİ
MONORAIL FRAME CUTTING SIZE

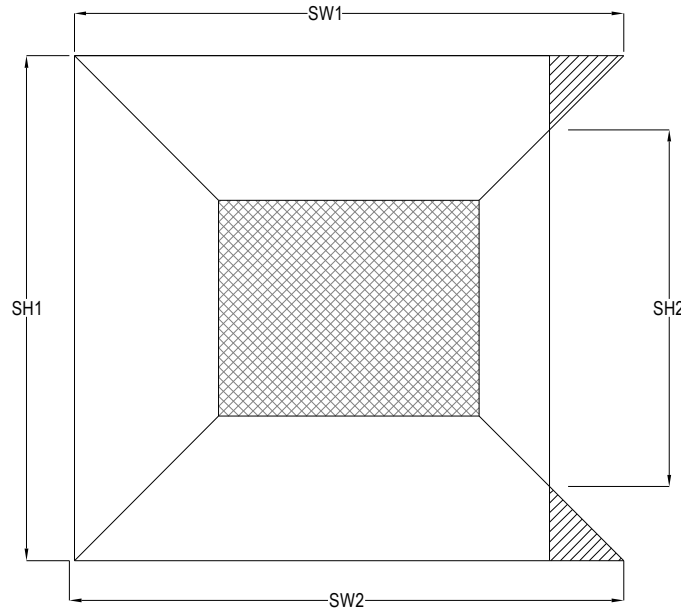
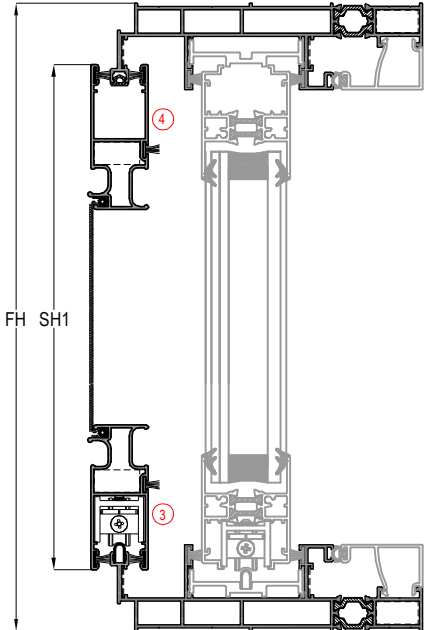
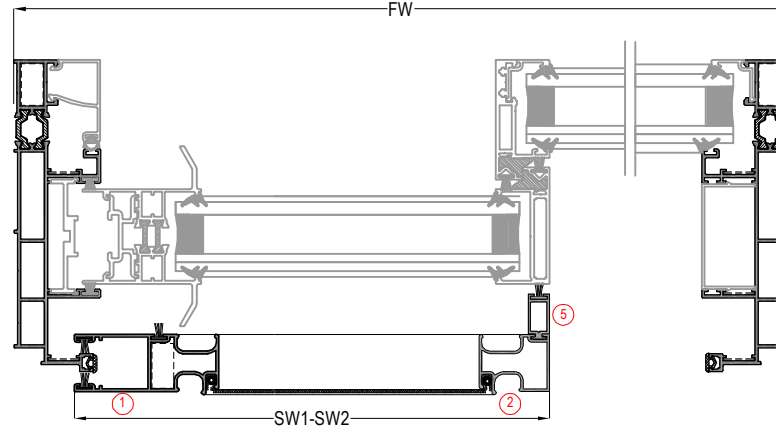
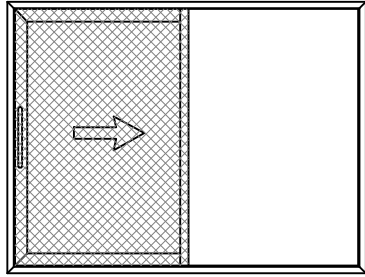
PROFİLLER / PROFILES					
NO / Number	ADET / Unit	KOD / Code	PROFİL ÇİZİMİ / Drawing	PROFİL TANIMI / Description	KESİM ÖLÇÜSÜ / Cutting Dimensions
1	2	ASM41T-06F		DÜŞEY KASA PROFİLİ / Vertical Frame Profile	FH
2	2	ASM41T-06F		YATAY KASA PROFİLİ / Horizontal Frame Profile	FW
3	1	ASM41T-11-13-14		DÜŞEY KANAT PROFİLİ / Vertical Sash Profile	SH=FW-63mm
4	4	ASM41T-12		YATAY KANAT PROFİLİ / Horizontal Frame Profile	SW=(FW/2)-42.4mm
5_A	1	ASM41T-41		KENET PROFİLİ / Central Locking Profile	SH=FW-63mm
5_B	1	ASM41T-42		KENET PROFİLİ / Central Locking Profile	SH=FW-40.8mm
5_B	1	ASM41T-44		KENET PROFİLİ / Central Locking Profile	FH
6	1	ASM41T-64		DÜŞEY KAPAK PROFİLİ / Cover Profile	FH-58mm
7	2	ASM10-04		MONORAIL CAM Ç. PROFİLİ / Glazing Bead Pro.	(FW/2)-32,1mm
8	1	ASM10-04		MONORAIL CAM Ç. PROFİLİ / Glazing Bead Pro.	FH-71,2mm
	1	ASM41T-61		DÜŞEY RAY KANAL PR. / Rail Channel Pr.	FH-58mm
	2	ASM41T-61		RAY KANAL PR. / Rail Channel Pr.	FW-32mm
	1	ASM41T-62		İSPANYOLET KANAL / Channel Profile	SH
8_2	2	ASM41T-38		MONORAIL CAM Ç. PROFİLİ / Glazing Bead Pro.	(FW/2)-4,5mm
8_1	1	ASM41T-38		MONORAIL CAM Ç. PROFİLİ / Glazing Bead Pro.	FH-80mm
	1	ASI-INR 01		ÇELİK RAY PROFİLİ / Steel Rail Profile	FW-32mm

FİTİLLER / GASKETS				
MİKTAR / Unit	KOD / Code	PROFİL ÇİZİMİ / Drawing	PROFİL TANIMI / Description	KESİM ÖLÇÜSÜ / Cutting Dimensions
Mt.	EP2-01		CAM FİTİLİ / Glazing Gasket	(4xGW)+(4xGH)
Mt.	ASM41T-EP04		KENET FİTİLİ / Interlock Gasket	(2XSH)
Mt.	KF 67-700		FİRÇA FİTİL / Brush Gasket - 7mm	4xFW+4XFH+2XSH
Mt.	EP3-03		ADAPTOR BİNİ FİTİLİ / Gasket	(FW+FH)

AKSESUARLAR / ACCESSORIES				
8 Adet / Pcs	ASI-PB 1119 ASI-KT 1119		PİMLİ-PRESS BAĞLANTI / Corner Joint Pin	
8 Adet / Pcs	ASI-PB 19.1		KÖŞE GÖNYESİ / Corner Alignment	
2 Adet / Pcs	AS41T-KP		KENET KAPAĞI ALT-ÜST / Interlock Profile Cap Top-Bottom	
2 Adet / Pcs	AS41T-SFP 02		ALT-ÜST HAVA KESİCİ BOTTOM-TOP WEATHER PROTECTOR	
1 Adet / Pcs	ASI-ISP 15.3		İSPANYOLET KİLİTLEME / Multi Point Lock	
3 Adet / Pcs	ASI-ISP K02		İSPANYOLET KİLİT KARŞILIĞI / Multi Point Strike	
1 Adet / Pcs	ASI-WH 002		İSPANYOLET KİLİTLEME KOL / Window Handle	
2 Adet / Pcs	ASI-SR 02R-INOX		PASLANMAZ RULMAN / INOX ROLLER	

CAM KESİM ÖLÇÜLERİ / GLASS CUTTING SIZES

KOD / Code	TANIMI / Description	KESİM ÖLÇÜSÜ / Cutting Dimensions
GW	CAM GENİŞLİK / Sash Glass Width	GW=FW/2-51,7mm
GH1	CAM YÜKSEKLİK / Sash Glass Height	GH1=FW-137,2mm
GH2	CAM YÜKSEKLİK / Fix Glass Height	GH2=FW-50,8mm

MONORAIL SİNEKLİK KASA KESİM ÖLÇÜLERİ
MONORAIL FRAME CUTTING SIZE

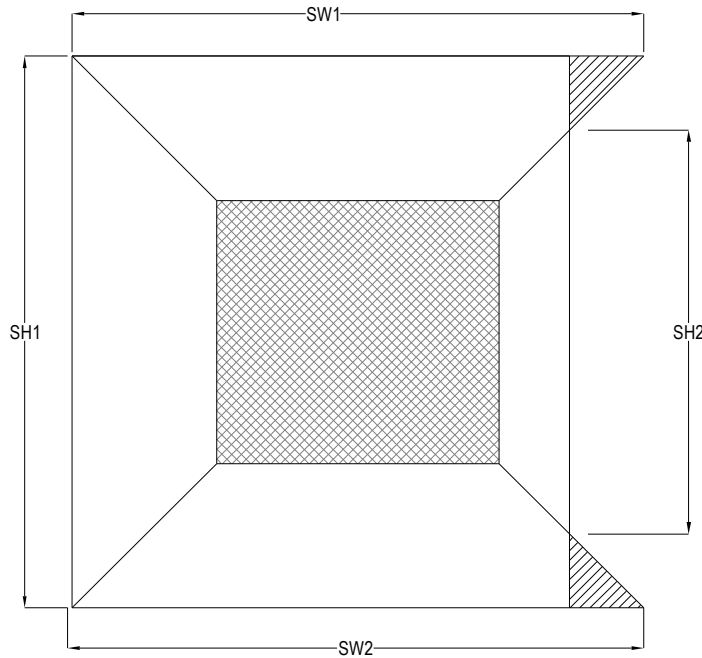
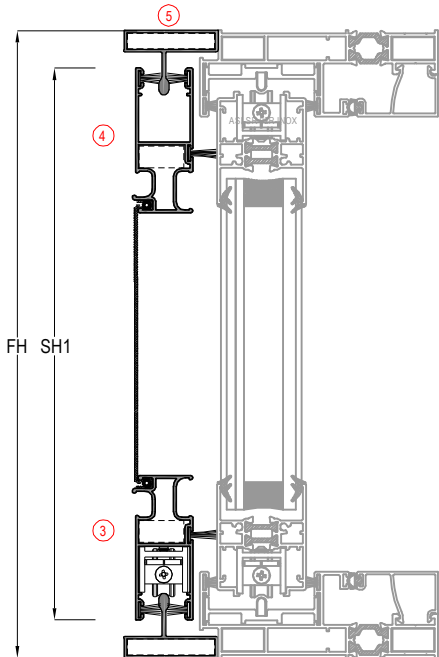
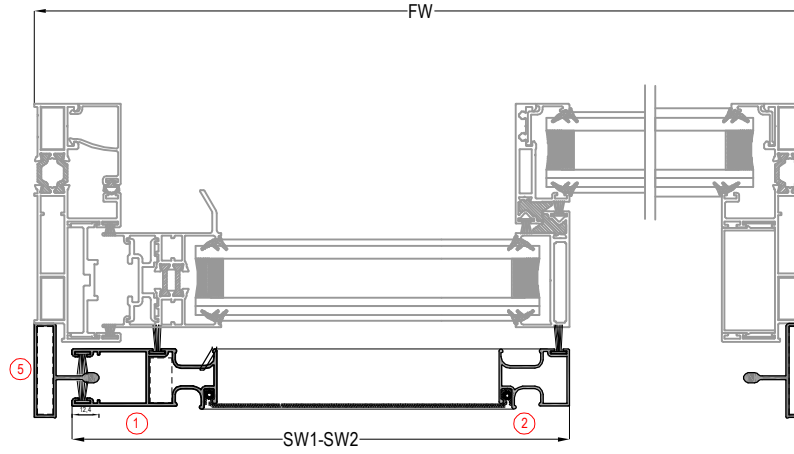
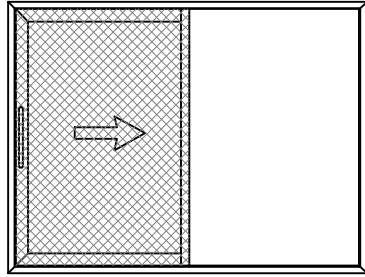
SİNEKLİK PROFİLİ VE AKSESUARLARI / Profiles And Accessories

NO / Number	ADET / Unit	KOD / Code	PROFİL ÇİZİMİ / Drawing	PROFİL TANITIMI / Description	KESİM ÖLÇÜSÜ / Cutting Dimensions
1	1	13-09986		DÜŞEY SİNEKLİK KANAT PROFİLİ / Vertical Flyscreen Sash Profile	SH1 = FH-57 mm
2	1	SL38T-52		DÜŞEY SİNEKLİK KANAT PROFİLİ / Vertical Flyscreen Sash Profile	SH2 = FH-125,3 mm
3	1	13-09986		YATAY SİNEKLİK KANAT PROFİLİ / Horizontal Flyscreen Sash Profile	SW1=(FW/2)-15,3 mm
4	1	13-09986		YATAY SİNEKLİK KANAT PROFİLİ / Horizontal Flyscreen Sash Profile	SW2=(FW/2)-15,3 mm
5	1	EM41T-65		SİNEKLİK YÜKSELTME ADAPTÖRÜ-PVC / Flyscreen Adapter	SH2
	1	ASI-INR 01		ÇELİK RAY / Steel Rail	SW1
	4	1028		SİNEKLİK KASA KÖŞE BAĞLANTI / Flyscreen Frame Corner Joint	
	4	ASI-BZ 5007		SİNEKLİK PROFİLİ KÖŞE BAĞLANTI / Corner Joint For Flyscreen Sash	
	2	ASI-SR 02R		AYARLI ÇİFTLİ RULMAN (U TİPİ RAY İÇİN) / Double Sliding Roller For Rail Type - U	

⊗ SEÇENEK OLARAK EXTRA KULLANILABİLİR - ADDITIONAL AVAILABLE AS OPTION

FİTİLLER / GASKETS

NO / Number	ADET / Unit	KOD / Code	PROFİL ÇİZİMİ / Drawing	PROFİL TANITIMI / Description	KESİM ÖLÇÜSÜ / Cutting Dimensions
	Mt	EP38-02		KASA KANAL FİTİLİ / Frame Gasket	(FH*2) + FW
	Mt	ASI-5025		SİNEKLİK FİTİLİ / Flyscreen Gasket	SH1 + SH2 + SW1 + SW2
	Mt	KF 67-700		FİRÇA FİTİL - 7 mm / Brush Gasket	(SH1 + SH2 + SW1 + SW2) *3

MONORAIL KASA SİNEKLİK KESİM ÖLÇÜLERİ
MONORAIL FRAME CUTTING SIZE

SİNEKLİK PROFİLİ VE AKSESUARLARI / Profiles And Accesories

NO / Number	ADET / Unit	KOD / Code	PROFİL ÇİZİMİ / Drawing	PROFİL TANITIMI / Description	KESİM ÖLÇÜSÜ / Cutting Dimensions
1	1	13-09986		DÜŞEY SİNEKLİK KANAT PROFİLİ / Vertical Flyscreen Sash Profile	$SH1 = FH - 35,2$ mm
2	1	SL38T-52		DÜŞEY SİNEKLİK KANAT PROFİLİ / Vertical Flyscreen Sash Profile	$SH2 = FH - 103,6$ mm
3	1	13-09986		YATAY SİNEKLİK KANAT PROFİLİ / Horizontal Flyscreen Sash Profile	$SW1 = (FW/2) - 17,6$ mm
4	1	13-09986		YATAY SİNEKLİK KANAT PROFİLİ / Horizontal Flyscreen Sash Profile	$SW2 = (FW/2) - 17,6$ mm
5	1	1725		SİNEKLİK KASA PROFİLİ / Flyscreen Frame Profile	$(FW * 2) + (FH * 2)$
6	4	1028		SİNEKLİK KASA KÖŞE BAĞLANTI / Flyscreen Frame Corner Joint	
7	4	ASI-BZ 5007		SİNEKLİK PROFİLİ KÖŞE BAĞLANTI / Corner Joint For Flyscreen Sash	
8	2	ASI-SR 02R		AYARLI ÇİFTLİ RULMAN (U TİPİ RAY İÇİN) / Double Sliding Roller For Rail Type - U	



⚙️ SEÇENEK OLARAK EXTRA KULLANILABİLİR - ADDITIONAL AVAILABLE AS OPTION

FİTİLLER / GASKETS

NO / Number	ADET / Unit	KOD / Code	PROFİL ÇİZİMİ / Drawing	PROFİL TANITIMI / Description	KESİM ÖLÇÜSÜ / Cutting Dimensions
	Mt	ASI-5025		SİNEKLİK FİTİLİ / Flyscreen Gasket	$SH1 + SH2 + SW1 + SW2$
	Mt	KF 67-1000		FİRÇA FİTİL - 10 mm / Brush Gasket	$(SH1 + SH2 + SW1 + SW2) * 3$