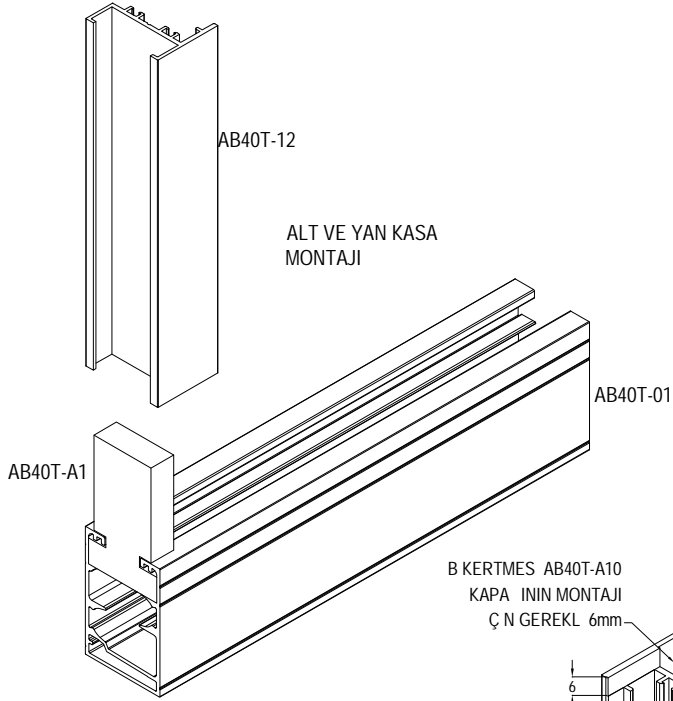
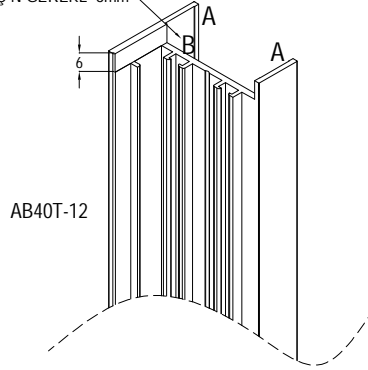


# AB40T

ISICAMLI CAM BALKON S STEM  
GLASS BALCONY SYSTEM WITH THERMAL GLASS

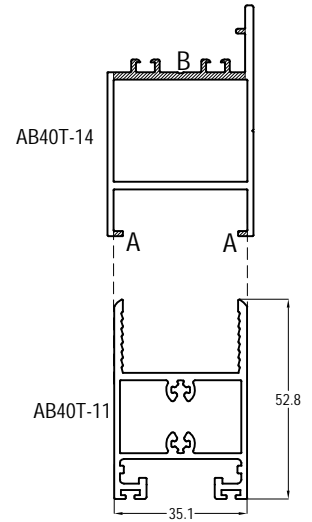
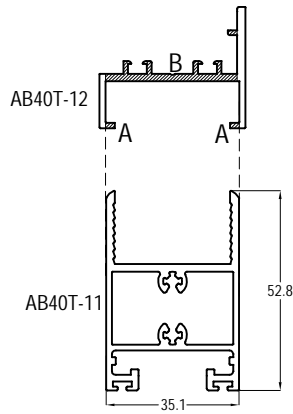
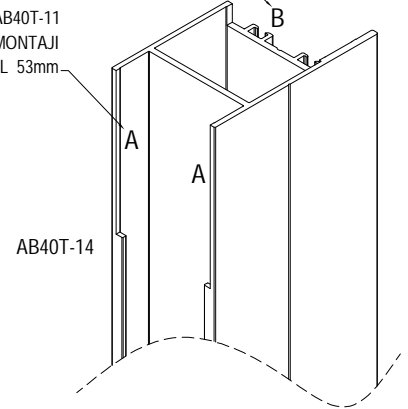


B KERTMES AB40T-A10  
KAPA İNİN MONTAJI  
Ç N GEREKL 6mm

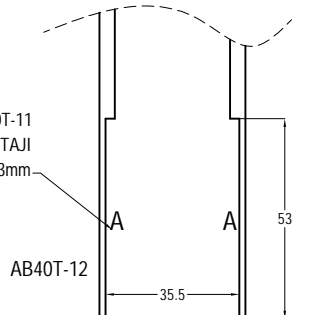


B KERTMES AB40T-A10  
KAPA İNİN MONTAJI  
Ç N GEREKL 6mm

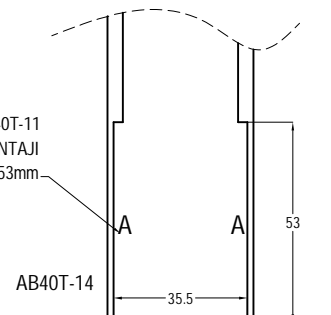
(A) KERTMES AB40T-11  
ALT KANAT PROF L MONTAJI  
Ç N GEREKL 53mm



(A) KERTMES AB40T-11  
ALT KANAT PROF L MONTAJI  
Ç N GEREKL 53mm

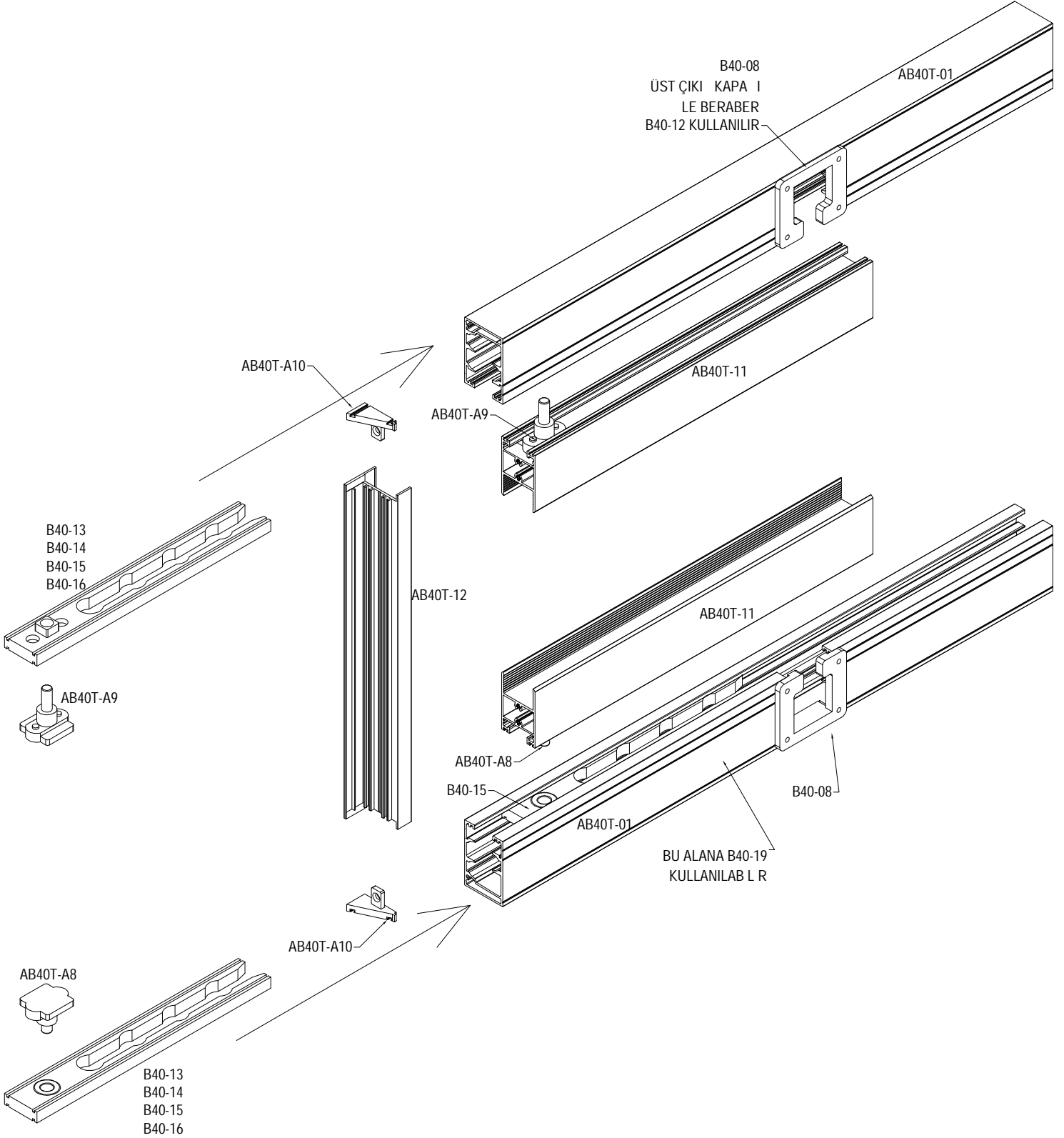


(A) KERTMES AB40T-11  
ALT KANAT PROF L MONTAJI  
Ç N GEREKL 53mm



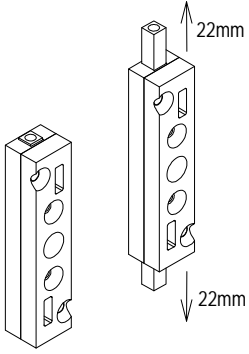
# AB40T

ISICAMLI CAM BALKON S STEM  
GLASS BALCONY SYSTEM WITH THERMAL GLASS



# AB40T

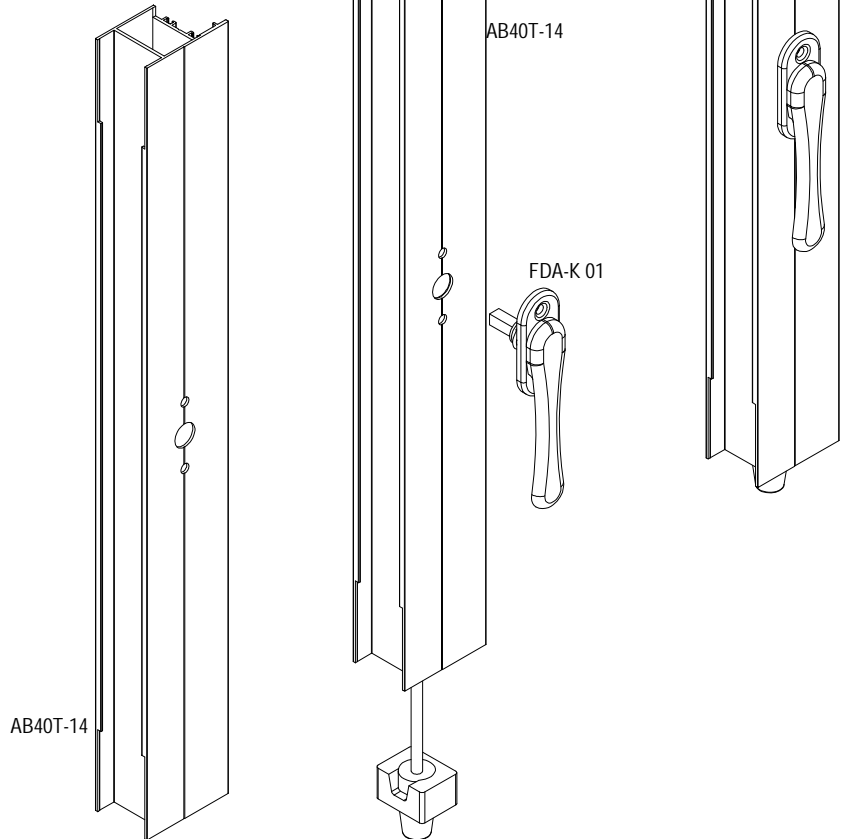
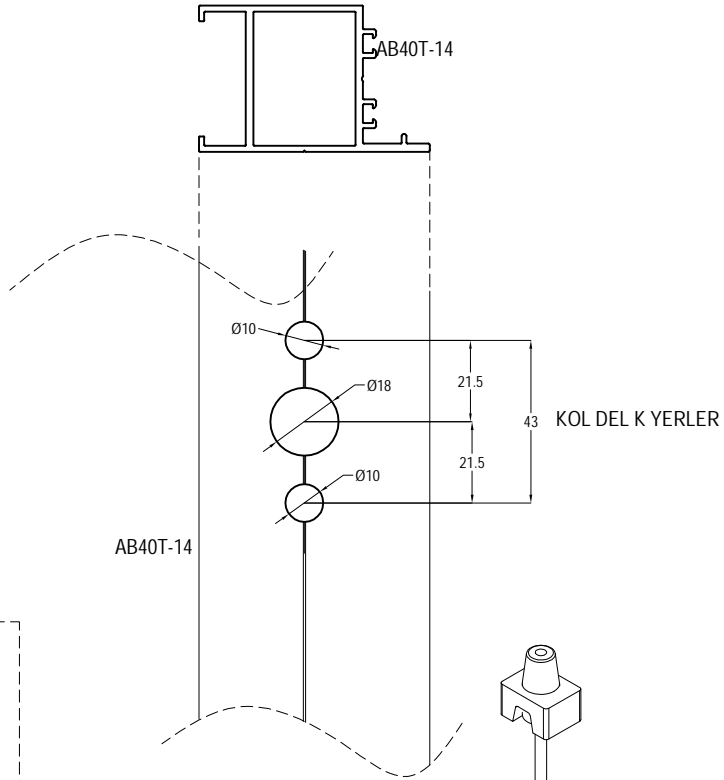
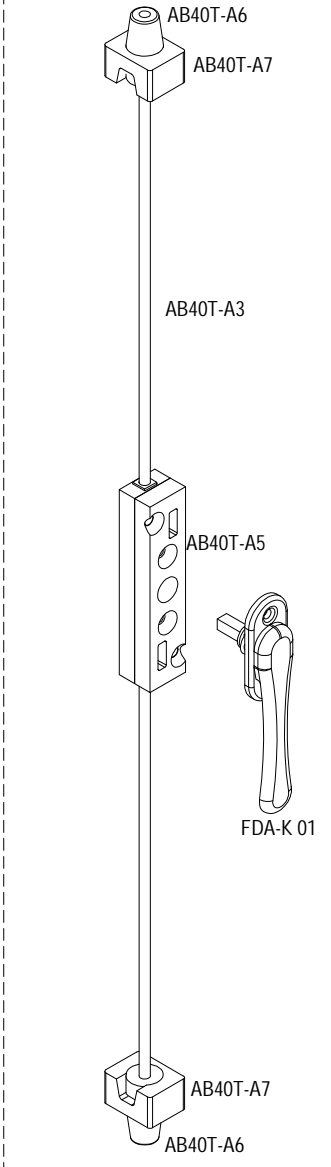
ISICAMLI CAM BALKON S STEM  
GLASS BALCONY SYSTEM WITH THERMAL GLASS



AB40T-MEK  
SET OLARAK SATILMAKTADIR  
IT IS SOLD TO BE SET

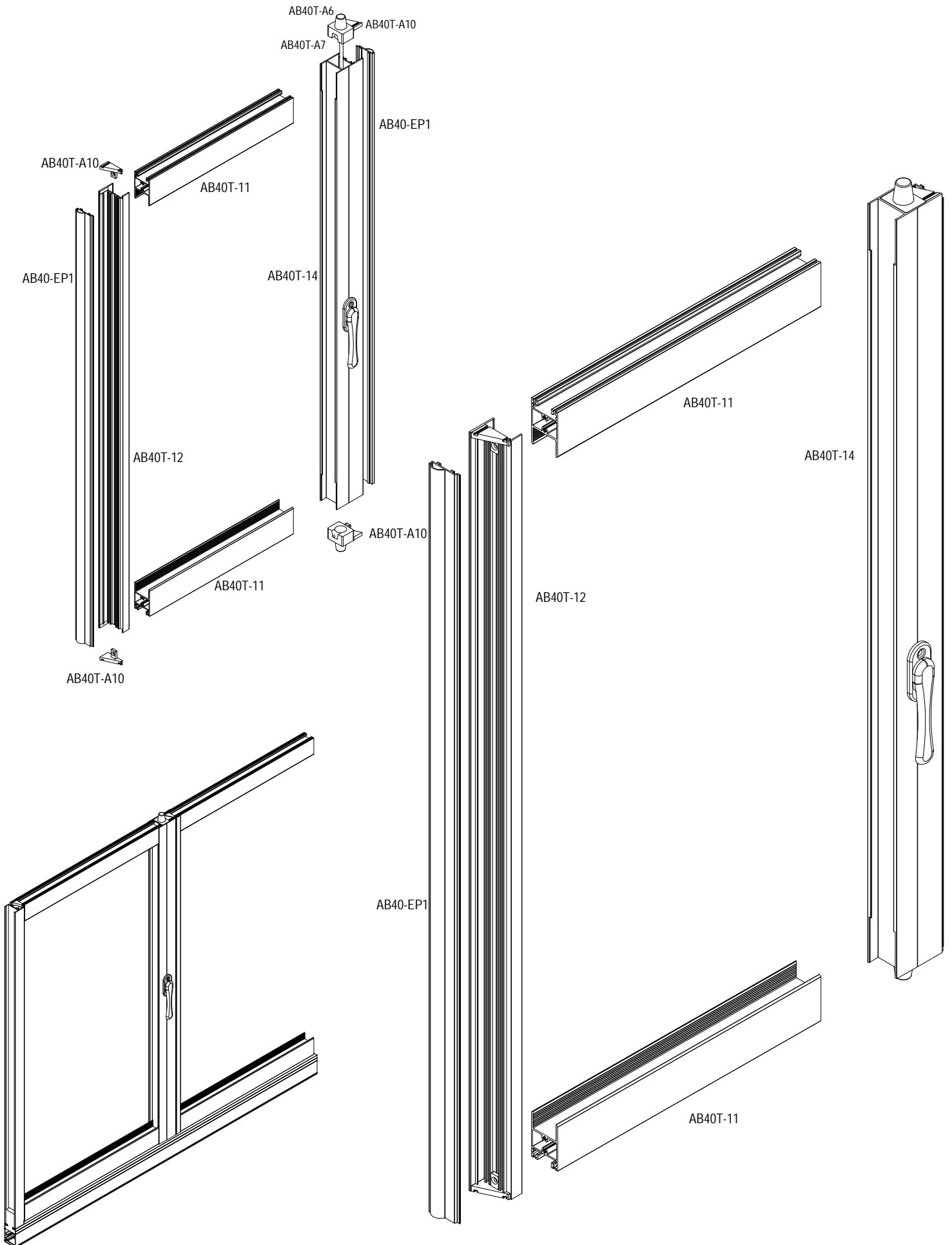
- AB40T-MEK= 1 ADET AB40T-A03  
1 ADET AB40T-A05  
2 ADET AB40T-A06  
2 ADET AB40T-A07  
1 ADET FDA-K01

AB40T-MEK



# AB40T

ISICAMLI CAM BALKON S STEM  
GLASS BALCONY SYSTEM WITH THERMAL GLASS

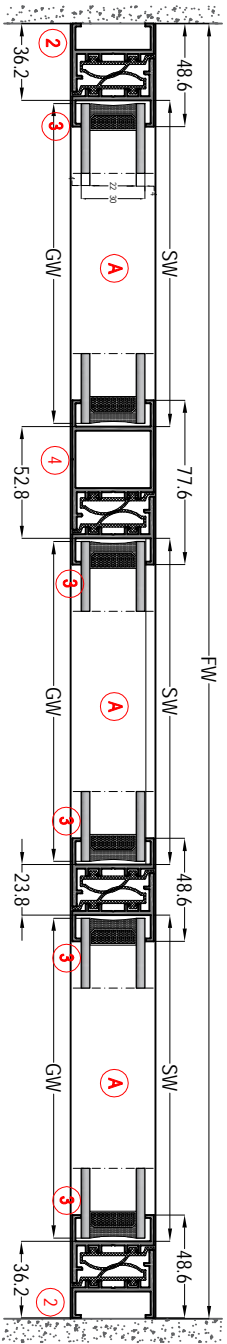


**AB40T**

ISICAMLI CAM BALKON SİSTEMİ  
GLASS BALCONY SYSTEM WITH THERMAL GLASS

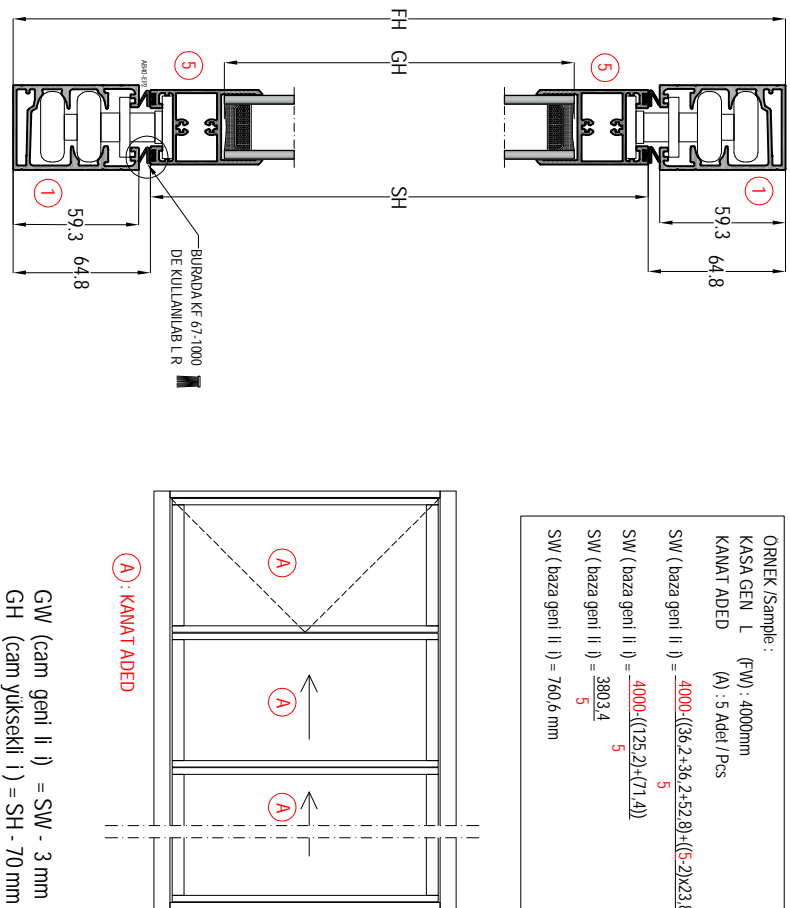
**ASISTAL**

MONTAJ DETAYLARI  
ASSEMBLY DETAILS



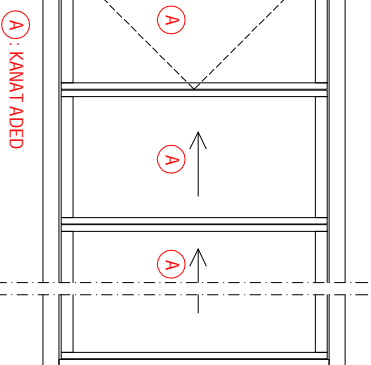
$$SW \text{ (baza geni II j)} = \frac{FW - ((36.2 + 36.2 + 52.8) + ((A-2) \times 23.8))}{A}$$

ORNEK / Sample :	(FW) : 4000mm
KASA GEN L	(A) : 5 Adet / Pcs
KANAT ADED	
SW (baza geni II j) =	$\frac{4000 - ((36.2 + 36.2 + 52.8) + ((5-2) \times 23.8))}{5}$
SW (baza geni II j) =	$\frac{4000 - ((125.2) + (71.4))}{5}$
SW (baza geni II j) =	$\frac{3803.4}{5}$
SW (baza geni II j) =	760.6 mm



$$GW \text{ (cam geni II j)} = SW - 3 \text{ mm}$$

$$GH \text{ (cam yuksekli j)} = SH - 70 \text{ mm}$$



PROF LLER / PROFILES

NO / Number	ADET / Umit	KOD / Code	PROF L Ç Z M / Drawing	PROF L TANIMI / Description	KES M OLÇUSU / Cutting Dimensions
1	2	AB40T-01		YAN AY KASA PROF L / Horizontal Frame Profile	FW
2	2	AB40T-12		D KEY KASA PROF L / Vertical Frame Profile	FH - 118.6 mm
3	A x 2	AB40T-12		YAN KANAT PROF L / Vertical Sash Profile	SH = FH - 129.6 mm
4	1	AB40T-14		KANAT K L TEME PROF L / Sash Locking Profile	SH = FH - 129.6 mm
5	A x 2	AB40T-11		ALT KANAT PROF L / Horizontal Sash Profile	FW - ((36.2 + 36.2 + 52.8) + ((A-2) \times 23.8)) / A
	(A+1) x 2	AB40-EP1		YAN KANAT F T L / Vertical Sash Gasket	SH = FH - 129.6 mm
	A x 4	AB40-EP2		YATAY KANAT F T L / Horizontal Sash Gasket	SW + 19 mm

AKSESUARLAR / ACCESSORIES

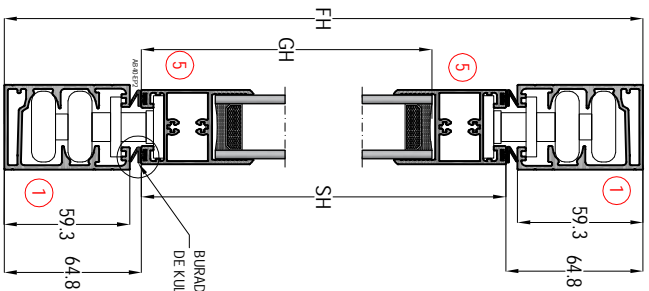
MKTAR / Umit	KOD / Code	PROF L Ç Z M / Drawing	PROF L TANIMI / Description
2 Adet / Pcs	B40-08		TEKER ÇIKI KAPA I / Roller Out Cover
1 Adet / Pcs	B40-12		KANAT TEKER KILAVUZU / Roller Guide
2 Adet / Pcs	B40-14		KANAT PARK SAB TEME: KANAT ADED NE GORE / Sash Fixing Size According to Sash Pcs
2 Adet / Pcs x (A)	AB40T-A1		KANAT SAB T TEKER / Roller for Sash
(2 Adet / Pcs x (A)) - 2	AB40T-A2		KANAT K L T TEKER / Roller for Park
1 Adet / Pcs	AB40T-A3		K L TEME M6 G JON T J / M6 Gjon For Locking
4 Adet / Pcs	AB40T-A4		YAN KASA BA LANIT / Frame Joint Part
1 Adet / Pcs	AB40T-A5		SPANVOLET K L TEME / Gear Box
1 Adet / Pcs	FDA-K-01		K L TEME KOLU / Handle for Sash
2 Adet / Pcs	AB40T-A6		SPANVOLET K L TEME P M / Locking Part
2 Adet / Pcs	AB40T-A7		K L TEME P M KILAVUZU / Locking Part Adapter
1 Adet / Pcs	AB40T-A8		LK KANAT ALT P M / First Sash Bottom Hinge
1 Adet / Pcs	AB40T-A9		LK KANAT UST P M / First Sash Top Hinge
Takim / Set x (Ax2)	AB40T-A10		KANAT KAPA I / Cover for Sash
1 Adet / Pcs	B40-19		KANAT STOPLAMA / Sash Stopper

## PROF LLER / PROFILES

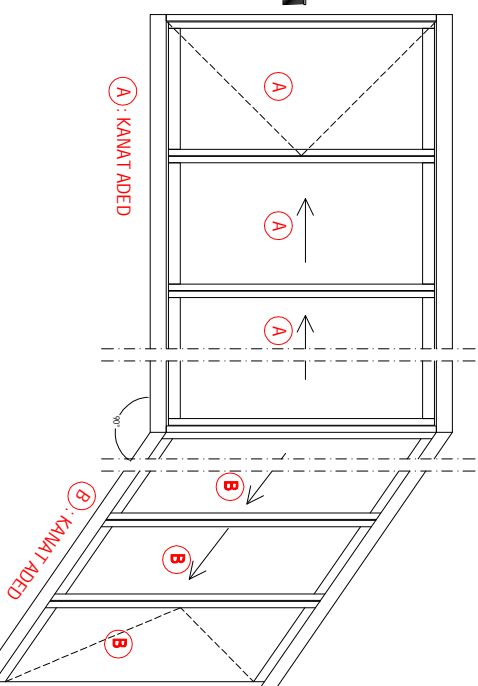
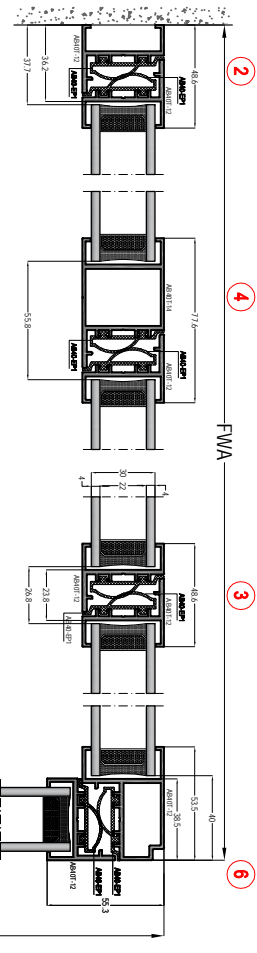
NO / Number	ADEL / Unlt	KOD / Code	PROF L Ç ZM / Drawing	PROF L TANIMI / Description	KES M OLUŞUŞU / Cutting Dimensions
1	2	AB40T-01		YATAY KASA PROF L / Horizontal Frame Profile	FWA
1	2	AB40T-01		YATAY KASA PROF L / Horizontal Frame Profile	FWB
2	4	AB40T-12		D KEY KASA PROF L / Vertical Frame Profile	FH - 118,6 mm
3	7	AB40T-12		YAN KANAT PROF L / Vertical Sash Profile	SH = FH - 129,6 mm
4	2	AB40T-14		KANAT K L TLEME PROF L / Sash Locking Profile	SH = FH - 129,6 mm
5	A x 2	AB40T-11		ALT KANAT PROF L / Horizontal Sash Profile	FV <sub>1</sub> [(36,2+38,45+52,8)+(A+2)X23,8] / A
5	B x 2	AB40T-11		ALT KANAT PROF L / Horizontal Sash Profile	FV <sub>2</sub> [(66,2+42,9+52,8)+(A+2)X23,8] / A
6	1	AB40T-12		KANAT KO E PROF L / Corner Profile	SH = FH - 129,6 mm
	(A+B) x 2	AB40-EP1		YAN KANAT F T L / Vertical Sash Gasket	SH
	(A+B) x 4	AB40-EP2		YATAY KANAT F T L / Horizontal Sash Gasket	SW + 19 mm

## AKSESUARLAR / ACCESSORIES

MKTAR / Unlt	KOD / Code	PROF L Ç ZM / Drawing	PROF L TANIMI / Description
4 Adet / Pcs	BA0-08		TEKER ÇIKI KAPA I / Roller Out Cover
2 Adet / Pcs	BA0-12		KANAT TEKER KILAVUZU / Roller Guide
4 Adet / Pcs	BA0-14		KANAT PARK SA8 TLEME KANAT ADED NE GORE / Sash Fixing SM According to Sash Pcs
2 Adet / Pcs x (A+B)	AB40T-A1		KANAT SA8 T TEKER / Roller for Sash
(2 Adet / Pcs x (A+B)) 2	AB40T-A2		KANAT K L T TEKER / Roller for Park
2 Adet / Pcs	AB40T-A3		K L TLEME M6 G JON T J / M6 GJm For Locking
4 Adet / Pcs	AB40T-A4		YAN KASA BA LANTI / Frame Joint Part
2 Adet / Pcs	AB40T-A5		SPANVOJET K L TLEME / Gear Box
2 Adet / Pcs	FDA-K 01		K L TLEME KOLU / Handle for Sash
4 Adet / Pcs	AB40T-A6		SPANVOJET K L TLEME P M / Locking Part
4 Adet / Pcs	AB40T-A7		K L TLEME P M KILAVUZU / Locking Part Adapter
2 Adet / Pcs	AB40T-A8		LK KANAT ALT P M / First Sash Bottom Hinge
2 Adet / Pcs	AB40T-A9		LK KANAT ÜST P M / First Sash Top Hinge
Takım / Set x (A+B)X2	AB40T-A10		KANAT KAPA I / Cover for Sash
2 Adet / Pcs	BA0-19		KANAT STOPLAMAYI Sash Stopper

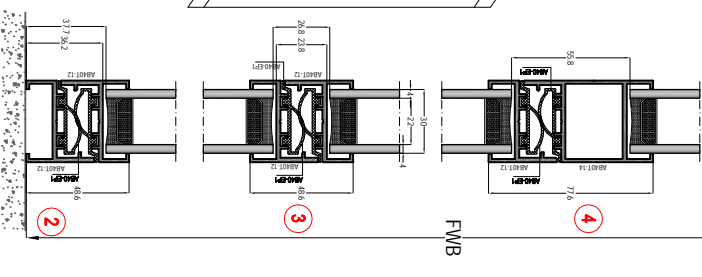


GW (cam geni li i) = SW - 3 mm  
GH (cam yüksekli i) = SH - 70 mm



ORNEK /Sample :  
KASA GEN L (FW) : 2000mm  
KANAT ADED (A) : 3 Adet / Pcs  
SW (baza geni li i) =  $2000 - ((36,2+38,45+52,8)+(3-2)X23,8)$   
SW (baza geni li i) =  $1848,75$   
SW (baza geni li i) =  $616,2$  mm

ORNEK /Sample :  
KASA GEN L (FW) : 2000mm  
KANAT ADED (B) : 3 Adet / Pcs  
SW (baza geni li i) =  $2000 - ((36,2+42,9+52,8)+(3-2)X23,8)$   
SW (baza geni li i) =  $1844,3$   
SW (baza geni li i) =  $614,7$  mm

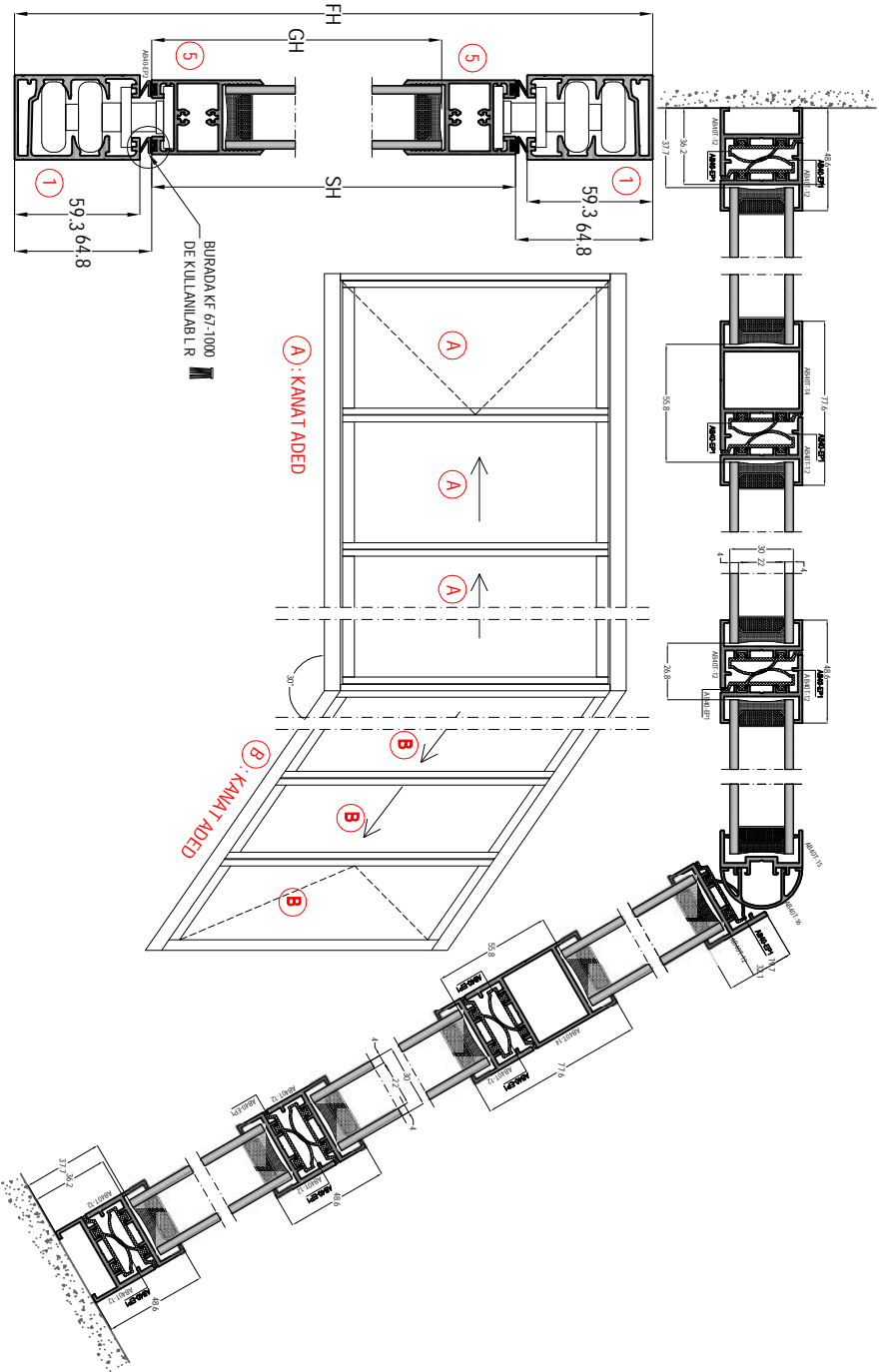


PROFİLLER / PROFILES

NO / Number	ADET / Ünit	KOD / Code	PROF L Ç ZM / Drawing	PROF L TANIMI / Description	KESİM ÖLÇÜSÜ / Cutting Dimensions
1	2	AB40T-01		YATAY KASA PROF L / Horizontal Frame Profile	FWA
1	2	AB40T-01		YATAY KASA PROF L / Horizontal Frame Profile	FVB
2	4	AB40T-12		D KEY KASA PROF L / Vertical Frame Profile	FH - 118,6 mm
3	7	AB40T-12		YAN KANAT PROF L / Vertical Sash Profile	SH = FH - 129,6 mm
4	2	AB40T-14		KANAT K L TLEMME PROF L / Sash Locking Profile	SH = FH - 129,6 mm
5	A x 2	AB40T-11		ALT KANAT PROF L / Horizontal Sash Profile	FW( (36,2+38,45+52,8) + (A-2)x23,8) / A
5	B x 2	AB40T-11		ALT KANAT PROF L / Horizontal Sash Profile	FW( (36,2+42,39+52,8) + (A-2)x23,8) / A
6	1	AB40T-15		KANAT KO E PROF L / Corner Profile	SH = FH - 129,6 mm
7	1	AB40T-16		KANAT KO E PROF L / Corner Profile	SH = FH - 129,6 mm
	(A+B-2) x 2	AB40-EP1		YAN KANAT F TL / Vertical Sash Gasket	SH
	(A+B) x 4	AB40-EP2		YATAY KANAT F TL / Horizontal Sash Gasket	SW + 19 mm

AKSESUARLAR / ACCESSORIES

MİKTAR / Ünit	KOD / Code	PROF L Ç ZM / Drawing	PROF L TANIMI / Description
4 Adet / Pcs	B40-08		TEKER ÇIKI KAPA I / Roller Out Cover
2 Adet / Pcs	B40-12		KANAT TEKER KILAVUZU / Roller Guide
4 Adet / Pcs	B40-14		KANAT PAKIR SAĞ TLEMME- KANAT ADED NE GÖRE / Sash Fixing Sash According to Sash Pcs
2 Adet / Pcs x (A+B)	AB40T-A1		KANAT SAĞ T TEKER / Roller for Sash
(2 Adet / Pcs x (A+B)) -2	AB40T-A2		KANAT K L T TEKER / Roller for Park
2 Adet / Pcs	AB40T-A3		K L TLEMME M6 G JON T J / M6 Gpin For Locking
4 Adet / Pcs	AB40T-A4		YAN KASA BA LANTI / Frame Joint Part
2 Adet / Pcs	AB40T-A5		SPANVOLET K L TLEMME / Gear Box
2 Adet / Pcs	FDA-K 01		K L TLEMME KOUU / Handle for Sash
4 Adet / Pcs	AB40T-A6		SPANVOLET K L TLEMME P M / Locking Part
4 Adet / Pcs	AB40T-A7		K L TLEMME P M KILAVUZU / Locking Part Adapter
2 Adet / Pcs	AB40T-A8		LK KANAT ALT P M / First Sash Bottom Hinge
2 Adet / Pcs	AB40T-A9		LK KANAT ÜST P M / First Sash Top Hinge
4 Takım / Set x (A-B)x2	AB40T-A10		KANAT KAPA I / Cover For Sash
2 Adet / Pcs	B40-19		KANAT STOPLAMMA / Sash Stopper



GW (cam geni İ İ) = SW - 3 mm  
GH (cam yüksekli İ İ) = SH - 70 mm

ÖRNEK / Sample :  
KASA GEN L (FW) : 2000mm  
KANAT ADED (A) : 3 Adet / Pcs  
SW (baza geni İ İ) =  $\frac{2000 - ((13,5) + (23,8))}{3}$   
SW (baza geni İ İ) =  $\frac{2000 - ((36,2 + 24,5 + 52,8) + ((3 - 2) \times 23,8))}{3}$   
SW (baza geni İ İ) =  $\frac{1862,7}{3}$   
SW (baza geni İ İ) = 620,9 mm

ÖRNEK / Sample :  
KASA GEN L (FW) : 2000mm  
KANAT ADED (B) : 3 Adet / Pcs  
SW (baza geni İ İ) =  $\frac{2000 - ((108,7) + (23,8))}{3}$   
SW (baza geni İ İ) =  $\frac{1867,5}{3}$   
SW (baza geni İ İ) = 622,5 mm