

AB40

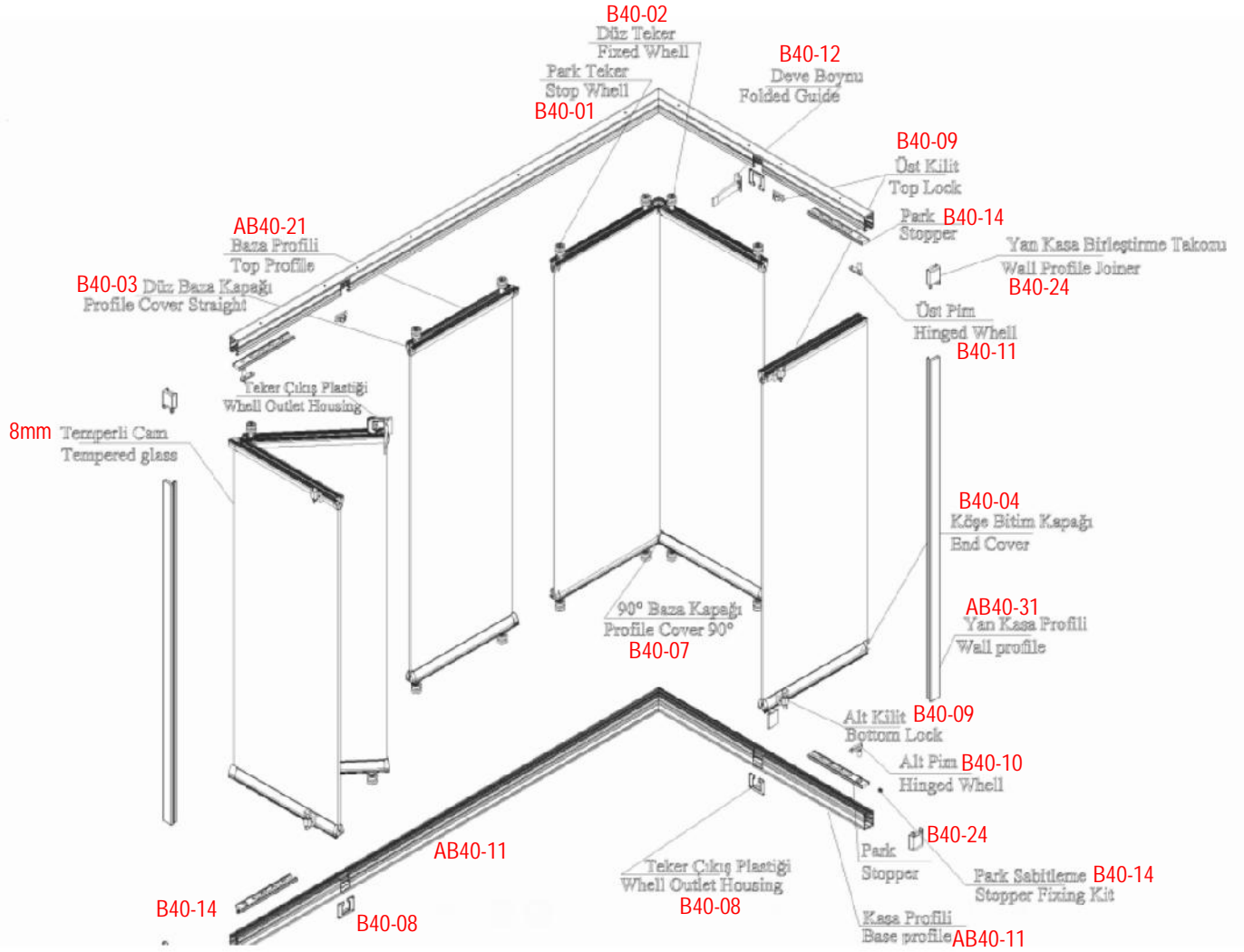
CAM BALKON SİSTEMİ
GLASS BALCONY SYSTEM

ASISTAL

MONTAJ DETAYLARI
ASSEMBLY DETAILS

AB40 CAM BALKON S STEM GLASS BALCONY SYSTEM

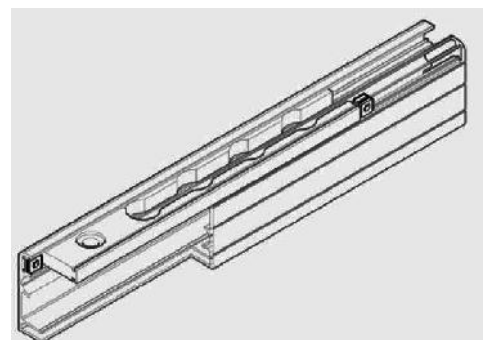
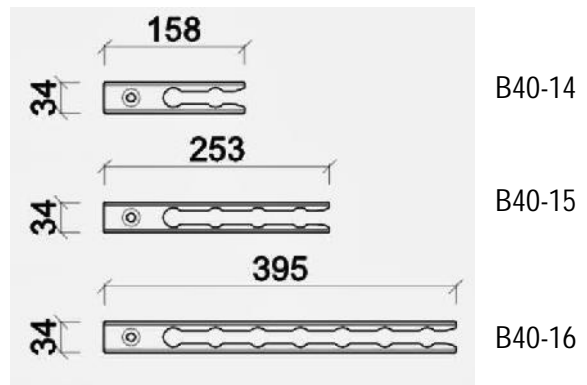
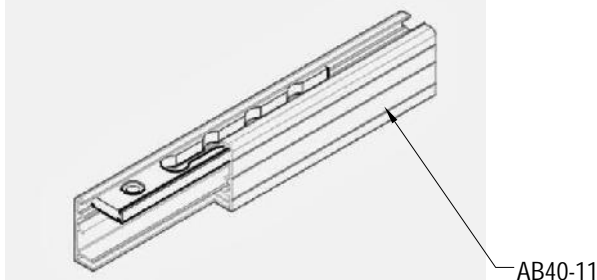
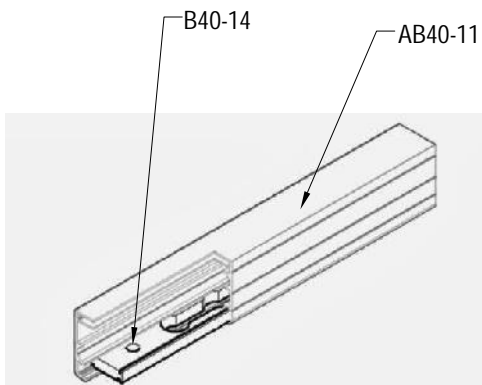
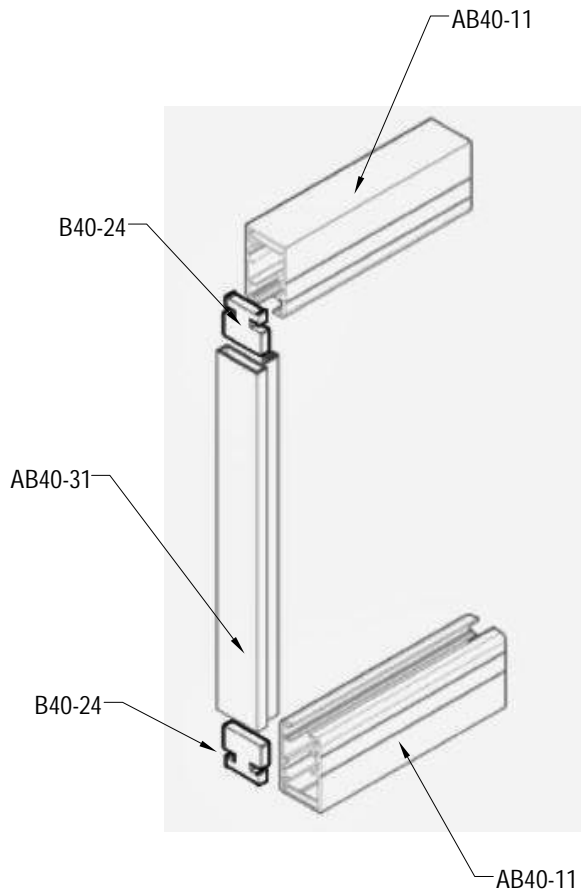
ASISTAL



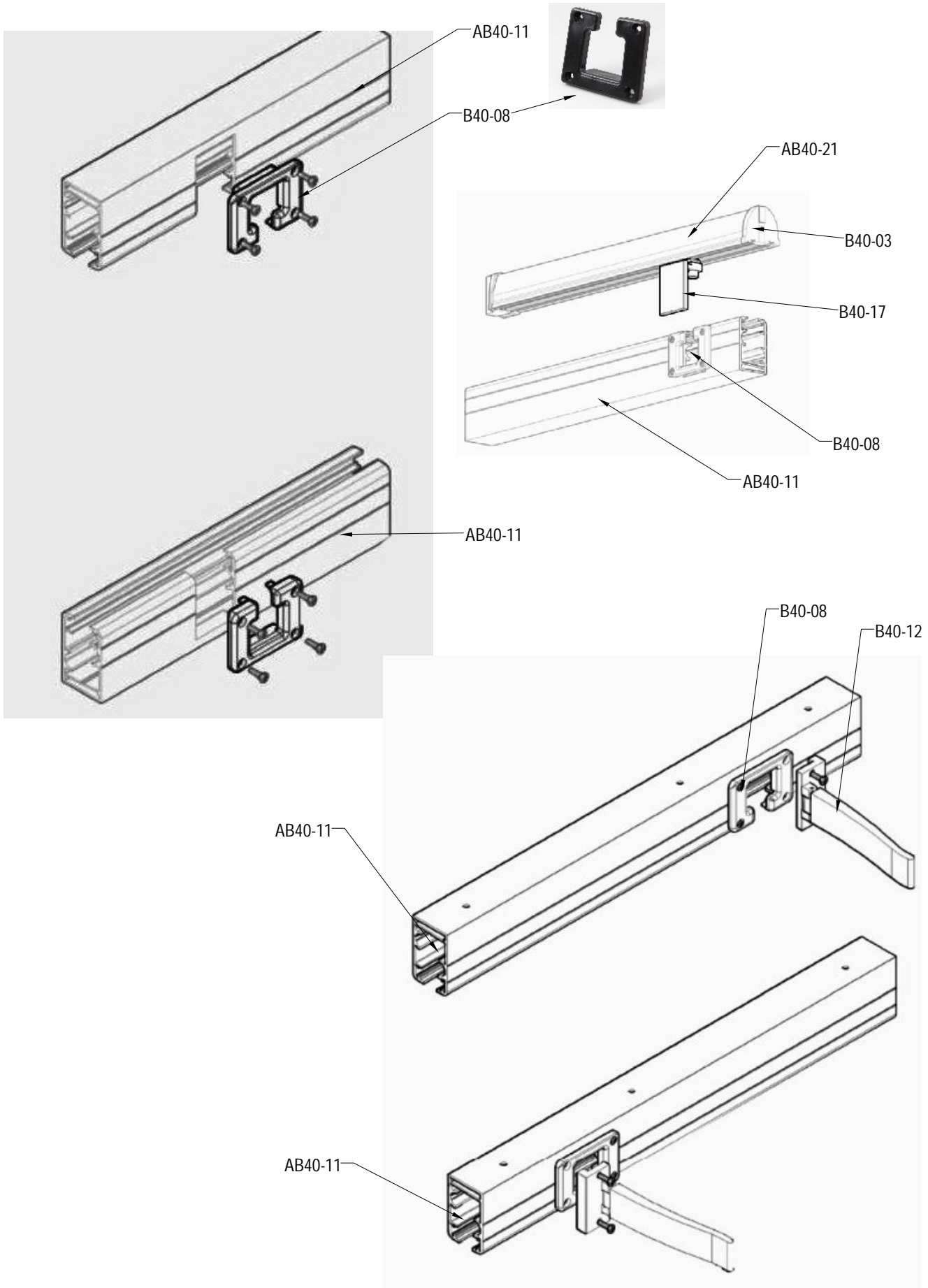
AB40 CAM BALKON S STEM GLASS BALCONY SYSTEM



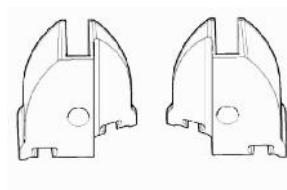
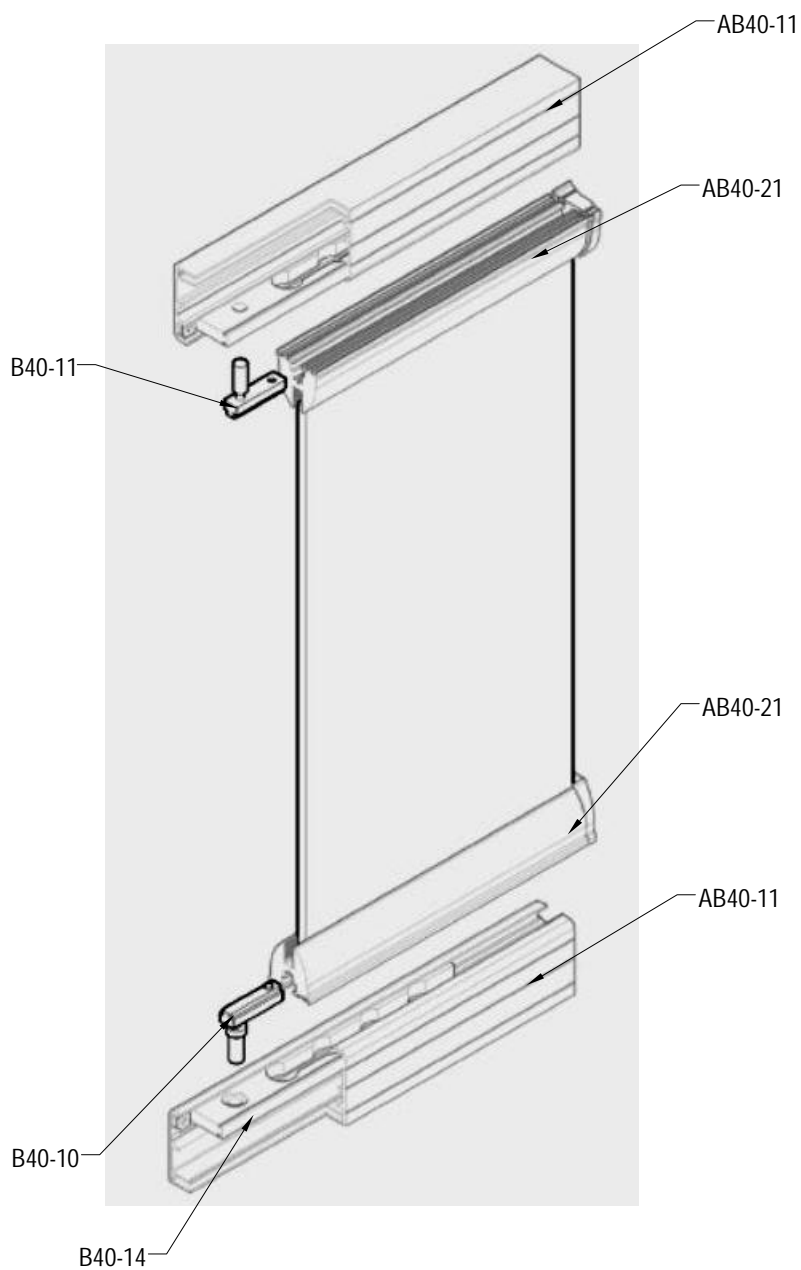
B40-24



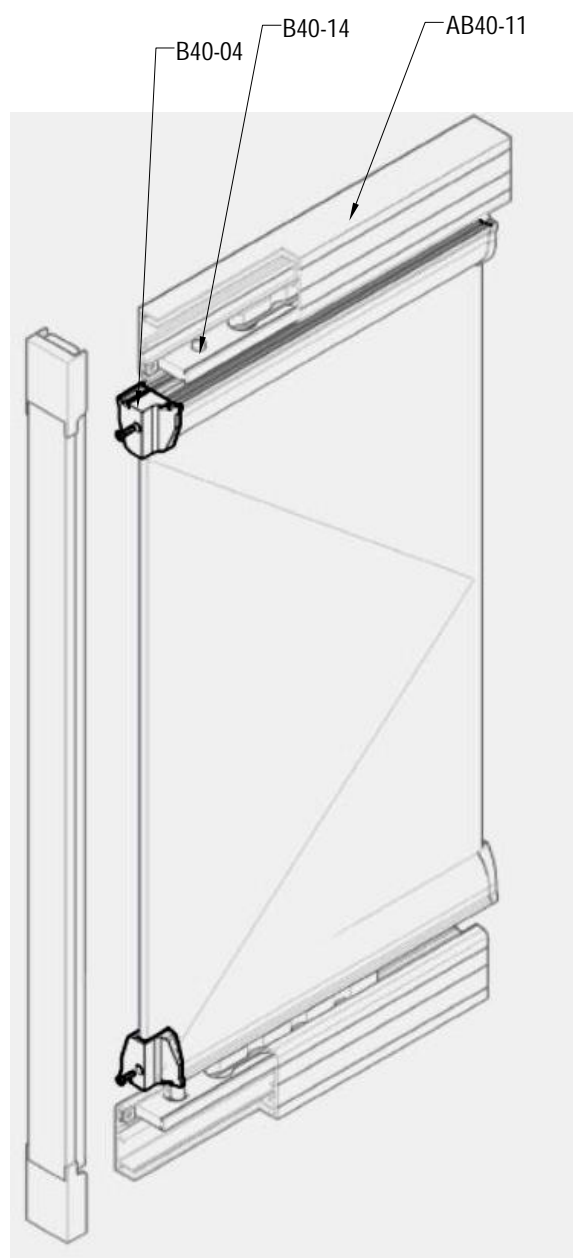
AB40 CAM BALKON S STEM GLASS BALCONY SYSTEM



AB40 CAM BALKON S STEM GLASS BALCONY SYSTEM

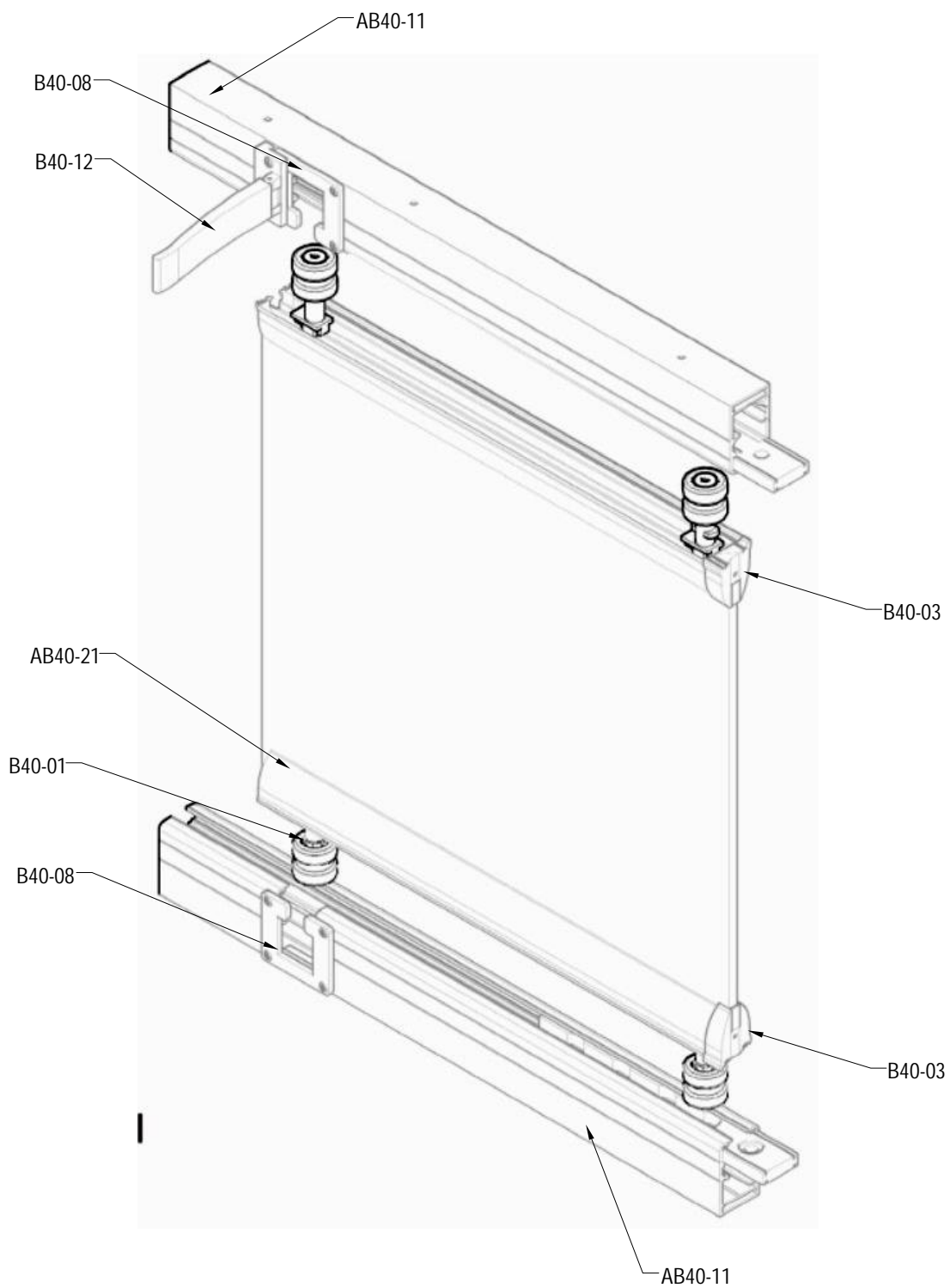


B40-04



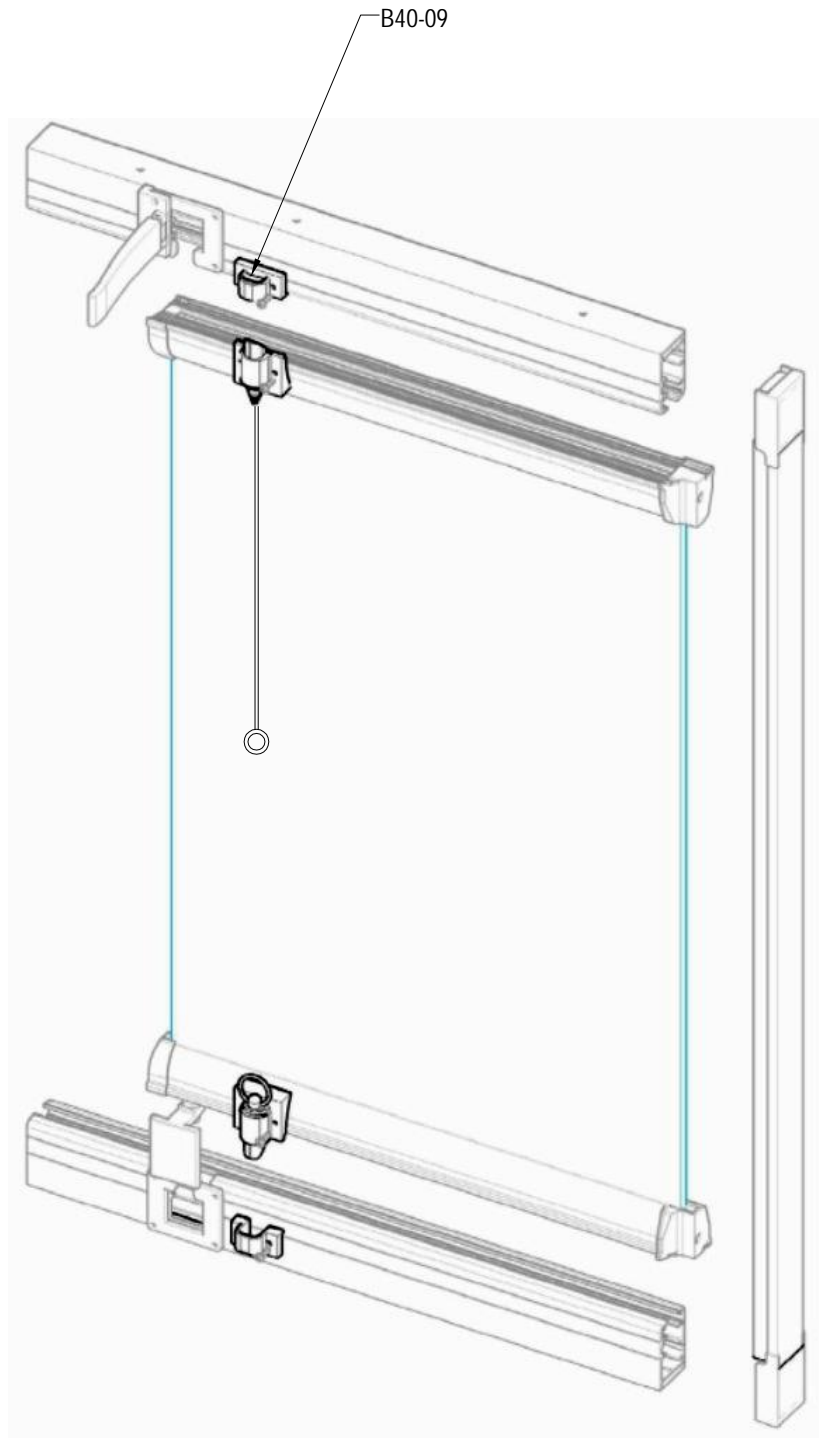
AB40 CAM BALKON S STEM

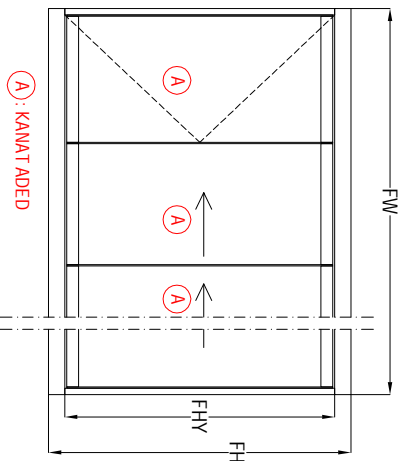
GLASS BALCONY SYSTEM



AB40 CAM BALKON S STEM

GLASS BALCONY SYSTEM





A : KANAT ADEDİ

ALT-UST KASA GENİŞLİĞİ / Bottom&Top Frame Width = FW (mm)

YAN KASA YÜKSEKLİK / Vertical Frame Height) - FH Y = FH - (62,3+62,3)mm

FH Y = FH - 124,6 mm

(KANAT YÜKSEKLİK / Sash Height) - SH = FH - 135mm

(CAM YÜKSEKLİK / Glass Height) - GH = SH - 25+(25)mm

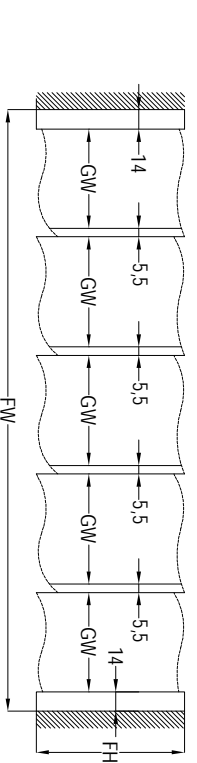
GH = SH - 50 mm

(CAM KANAT GENİŞLİK / Glass Sash Width) - GW = FW (mm) - ((14x2) +(A-1)x5,5)

A=Kanat Adedi

MAX. KANAT YÜKSEKLİK : 2200mm

MAX KANAT GEN L : 650mm



SH- İLK KANAT CAMI (First Glass)

YATAY KANAT PROFİLİ (Horizontal Sash Profile)

B40-04

7 mm

B40-03

7 mm

SH - ARA CAMLAR (Standard Glass)

YATAY KANAT PROFİLİ (Horizontal Sash Profile)

B40-03

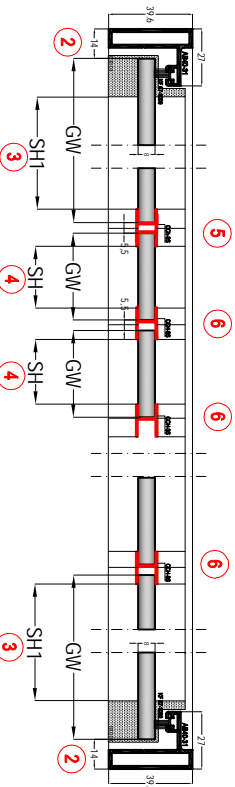
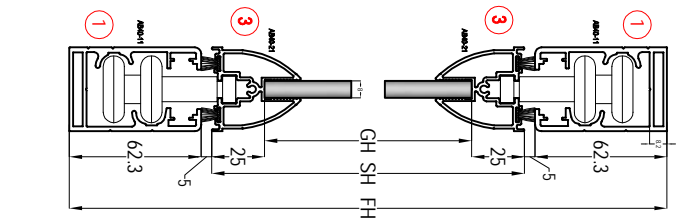
7 mm

SH- SON KANAT CAMI (End Glass)

YATAY KANAT PROFİLİ (Horizontal Sash Profile)

B40-10

22

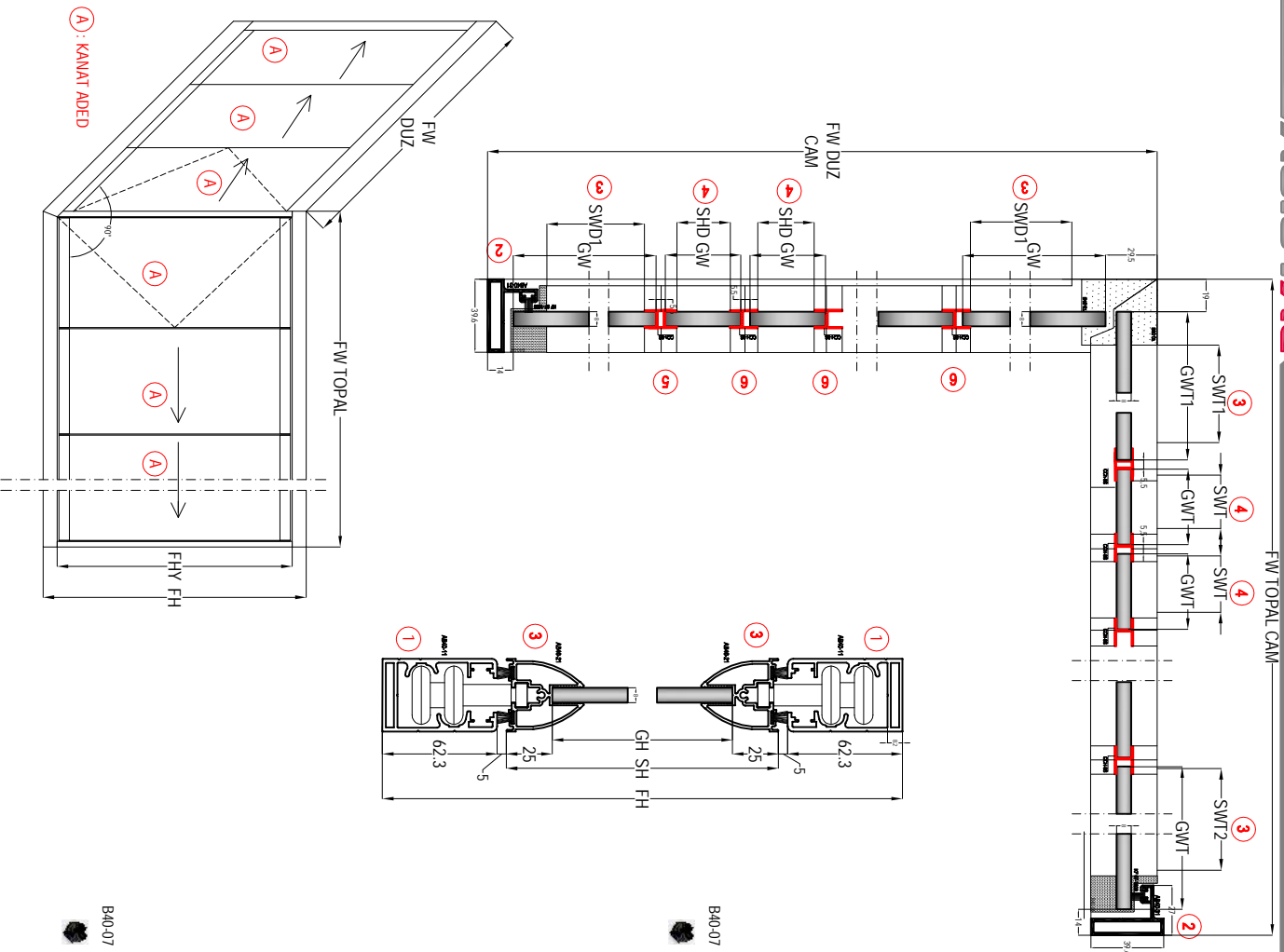


PROFİLLER / PROFILES

NO / Number	ADET / Unit	KOD / Code	PROFİL ÇİZİM / Drawing	PROFİL TANIMI / Description	KESİM ÖLÇÜSÜ / Cutting Dimensions
1	2	AB40-11		YATAY KASA PROFİL / Horizontal Frame Profile	FW
2	2	AB40-31		D KEY KASA PROFİL / Vertical Frame Profile	FH - 124,6 mm
3	2 x 2	AB40-21		LK SON KANAT PROFİL - YATAY / Horizontal / First End Sash Profile	SH1 = GW - 29 mm
4	(A-2)/2	AB40-21		ARA KANAT PROFİL - YATAY / Horizontal Middle Sash Profile	SH = GW - 14 mm
5	2	CH-S5		"H" CAM CONTIYASI / "H" Glass Gasket	GH - 17 mm
6	A - 2	CH-S5		"H" CAM CONTIYASI / "H" Glass Gasket	GH - 17 mm

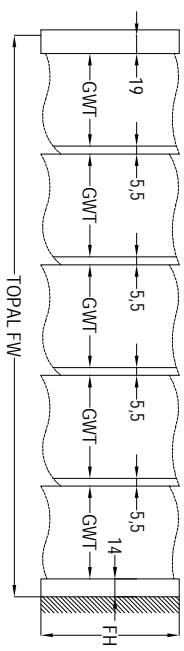
AKSESUARLAR / ACCESSORIES

MKTAR / Unit	KOD / Code	PROFİL ÇİZİM / Drawing	PROFİL TANIMI / Description
2 Adet / Pcs	B40-08		TEKER ÇIKI KAPAĞI / Roller Out Cover
1 Adet / Pcs	B40-12		KANAT TEKER KILAVUZU / Roller Guide
2 Adet / Pcs	B40-14		KANAT PARK SABİTLENE KANAT ADEDİNE GÖRE / Sash Fixing Spd According to Sash Pcs
Adet / Pcs (A-1)x2	B40-02		KANAT SABİT TEKER / Roller for Sash
Adet / Pcs (A-1)x2	B40-01		KANAT KİLİT TEKER / Roller for Park
4 Adet / Pcs	B40-24		YAN KASA BAĞLAMLI / Frame Joint Part
2 Takım / Set	B40-04		BİTİM KAPAK SAĞ / SOL / Sash Cover Left/Right
(A-1) x 2 Takım / Set	B40-03		DUZ KAPAK SAĞ / SOL / Sash Cover Left/Right
1 Adet / Pcs	B40-10		LK KANAT ALT PİM / First Sash Bottom Hinge
1 Adet / Pcs	B40-11		LK KANAT ÜST PİM / First Sash Top Hinge
2 Adet / Pcs	B40-09		KANAT KİLİT / Sash Lock
1 Adet / Pcs	B40-19		KANAT STOP LAMA / Sash Stopper
(2 x FH) + (SWX) = Mm	KF 67-1000		FIRÇA FİLTRESİ / Brush Gasket



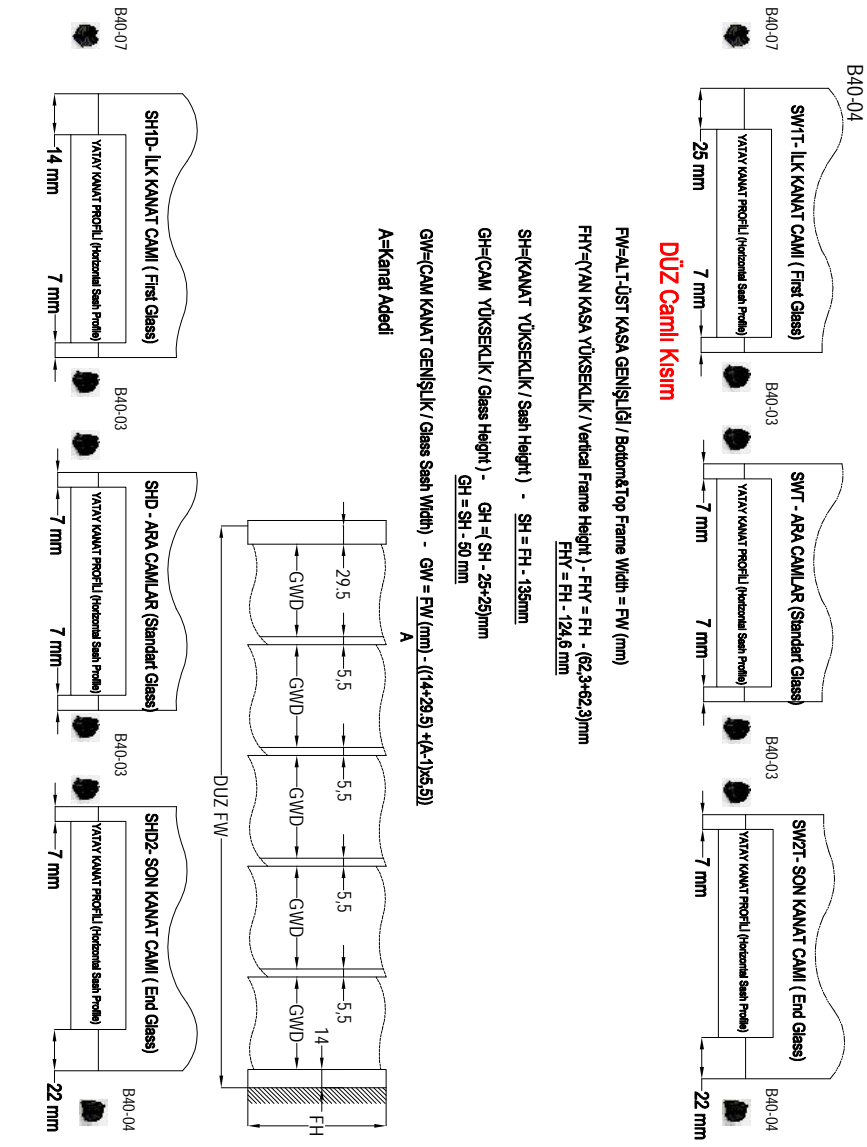
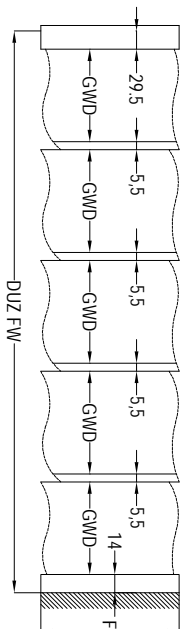
Topal Camlı Kısım

- FW=ALT-UST KASA GENİŞLİĞİ / Bottom&Top Frame Width = FW (mm)
 FHY=YAN KASA YÜKSEKLİK / Vertical Frame Height - FHY = FH - (62.3+62.3)mm
 FHY = FH - 124.6 mm
 SH=(KANAT YÜKSEKLİK / Sash Height) - SH = FH - 135mm
 GH=CAM YÜKSEKLİK / Glass Height) - GH = SH - (25+25)mm
 GH = SH - 50 mm
 GW(CAM KANAT GENİŞLİK / Glass Sash Width) - GW = FW (mm) - ((14+19) + (A-1)5.5)
 A=Kanat Adedi



Düz Camlı Kısım

- FW=ALT-UST KASA GENİŞLİĞİ / Bottom&Top Frame Width = FW (mm)
 FHY=YAN KASA YÜKSEKLİK / Vertical Frame Height - FHY = FH - (62.3+62.3)mm
 FHY = FH - 124.6 mm
 SH=(KANAT YÜKSEKLİK / Sash Height) - SH = FH - 135mm
 GH=CAM YÜKSEKLİK / Glass Height) - GH = (SH - 25+25)mm
 GH = SH - 50 mm
 GW=CAM KANAT GENİŞLİK / Glass Sash Width) - GW = FW (mm) - ((14+29.5) + (A-1)5.5)
 A=Kanat Adedi



AKSESUARLAR / ACCESSORIES

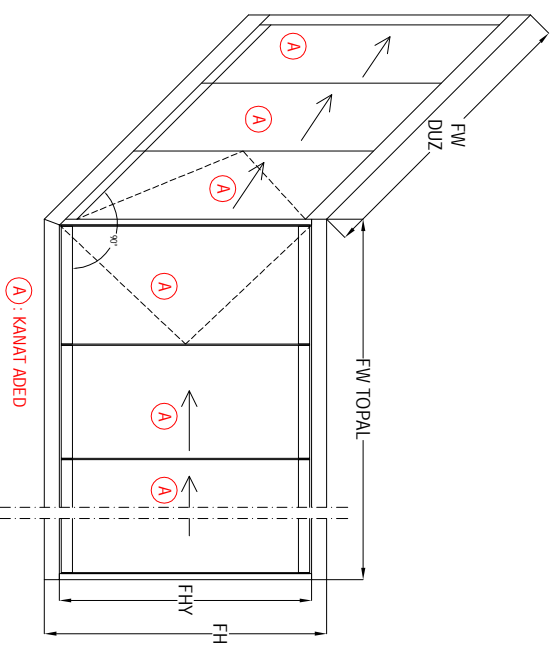
MKTAR / UMI	KOD / Code	PROF L C Z M / Drawing	PROF L TANIIMI / Description
4 Adet / Pcs	B40-08		TEKER CIKI KAPA I / Roller Out Cover
2 Adet / Pcs	B40-12		KANAT TEKER KILAVUZU / Roller Guide
4 Adet / Pcs	B40-14		KANAT PARK SAB TLEME - KANAT ADED NE GORE / Sash Fixing Sds According to Sash Pcs
Adet / Pcs (A x 2) 2	B40-02		KANAT SAB T TEKER / Roller For Sash
Adet / Pcs (A x 2) 2	B40-01		KANAT K L T TEKER / Roller For Park
4 Adet / Pcs	B40-24		YAN KASA BA LANTI / Frame Joint Part
2 Takim / Sdt	B40-04		BT MAKAPK SA - SOL / Sash Cover Left/Right
(A-2) x 2 Takim / Sdt	B40-03		DUZ KAPAK SA - SOL / Sash Cover Left/Right
2 Takim / Sdt	B40-07		90 L K DONU KAPA ISA /SOL / Corner Cover Left/Right
2 Adet / Pcs	B40-10		LK KANAT ALT P M / First Sash Bottom Hinge
2 Adet / Pcs	B40-11		LK KANAT UST P M / First Sash Top Hinge
4 Adet / Pcs	B40-09		KANAT K L T / Sash Lock
2 Adet / Pcs	B40-19		KANAT STOPLANA / Sash Stopper
(2 FH) x (SW) x ML	KF 67-1000		FIRÇA F T L / Brush Gasket
2 Takim / Sdt	B40-20		HAREKETL MATERYAL / Moving Material

DUZ CAM PROF LER / PROFILES

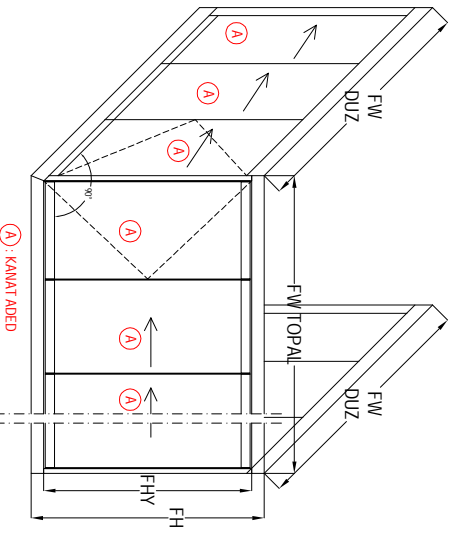
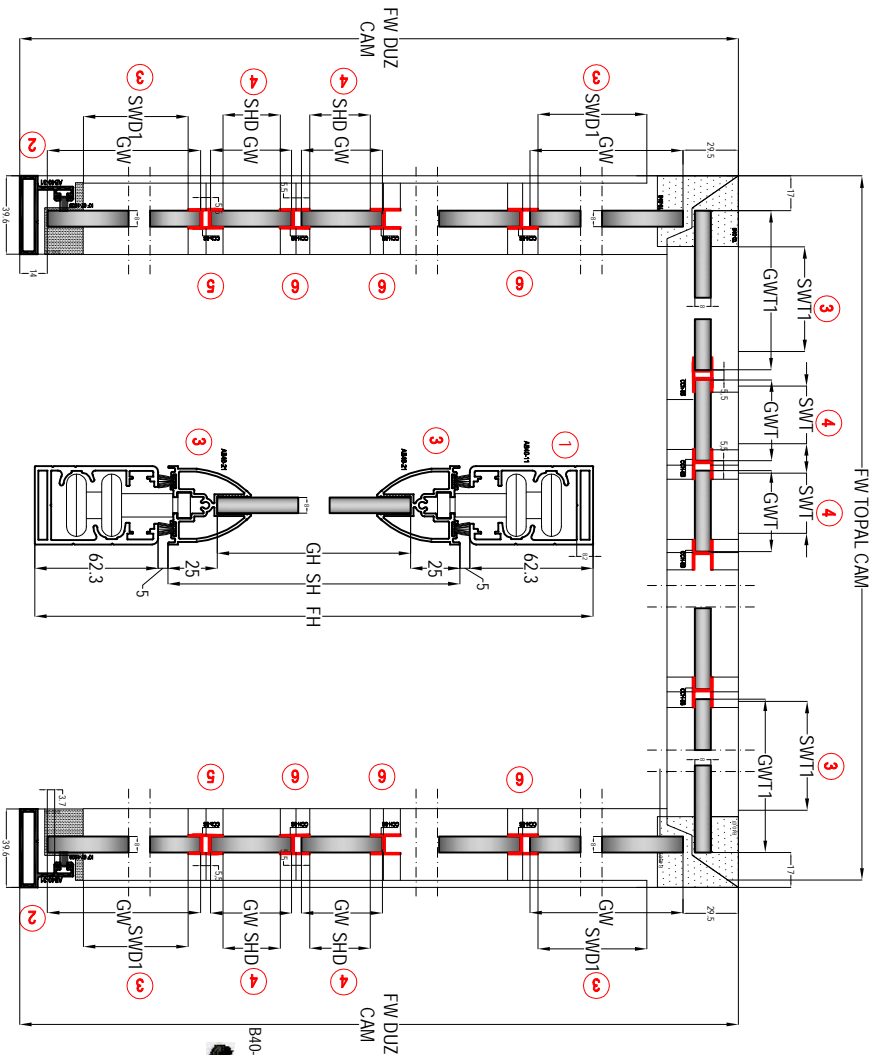
NO / Number	ADET / UMI	KOD / Code	PROF L C Z M / Drawing	PROF L TANIIMI / Description	KES M OLCUSU / Cutting Dimensions
1	2	AB40-11		YATAY KASA PROF L / Horizontal Frame Profile	FW
2	1	AB40-31		D KEY KASA PROF L / Vertical Frame Profile	FH - 124,6 mm
3	2 x 2	AB40-21		LK KANAT PROF L - YATAY / Horizontal Frame Sash Profile	SHD1 = GW - 21 mm
4	(A-4) x 2	AB40-21		ARA KANAT PROF L - YATAY / Horizontal Middle Sash Profile	SHD = GW - 14 mm
5	2 x 2			SOU KANAT PROF L - YATAY / Horizontal End Sash Profile	SHD2 = GW - 29mm
6	2	CCH-8S		"H" CAM CONTIASI / "H" Glass Gasket	GH - 17 mm
7	A-2	CCH-8S		"H" CAM CONTIASI / "H" Glass Gasket	GH - 17 mm

TOPAL CAM PROF LER / PROFILES

NO / Number	ADET / UMI	KOD / Code	PROF L C Z M / Drawing	PROF L TANIIMI / Description	KES M OLCUSU / Cutting Dimensions
1	2	AB40-11		YATAY KASA PROF L / Horizontal Frame Profile	FW
2	1	AB40-31		D KEY KASA PROF L / Vertical Frame Profile	FH - 124,6 mm
3	2 x 2	AB40-21		LK KANAT PROF L - YATAY / Horizontal Frame Sash Profile	SHT = GW - 32 mm
4	(A-4) x 2	AB40-21		ARA KANAT PROF L - YATAY / Horizontal Middle Sash Profile	SHT = GW - 14 mm
5	2 x 2			SOU KANAT PROF L - YATAY / Horizontal End Sash Profile	SHT2 = GW - 29mm
6	2	CCH-8S		"H" CAM CONTIASI / "H" Glass Gasket	GH - 17 mm
7	A-2	CCH-8S		"H" CAM CONTIASI / "H" Glass Gasket	GH - 17 mm
8	1	CC90-8S		90° KO E "H" CAM CONTIASI / "H" Glass Gasket	GH - 17 mm



(A) : KANAT ADED



Topal Camlı Kısım

FW=ALT-ÜST KASA GENİŞLİĞİ / Bottom&Top Frame Width = FW (mm)

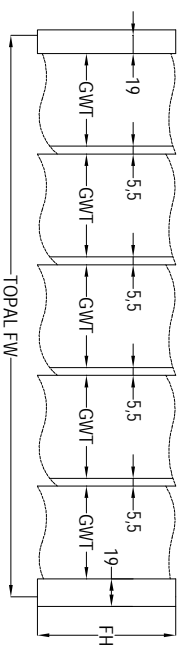
FHY=YAN KASA YÜKSEKLİK / Vertical Frame Height) - FHY = FH - (62.3+62.3)mm
FHY = FH - 124.6 mm

SH=(KANAT YÜKSEKLİK / Sash Height) - SH = FH - 135mm

GH=(CAM YÜKSEKLİK / Glass Height) - GH = SH - 25+25)mm
GH = SH - 50 mm

GW=(CAM KANAT GENİŞLİK / Glass Sash Width) - GW = FW (mm) - ((19+19) + (A-1)X5.5)

A=Kanat Adedi



Düz Camlı Kısım

FW=ALT-ÜST KASA GENİŞLİĞİ / Bottom&Top Frame Width = FW (mm)

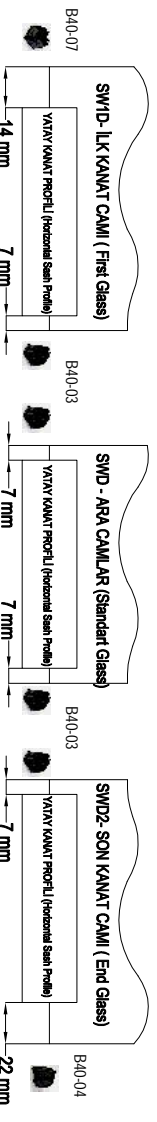
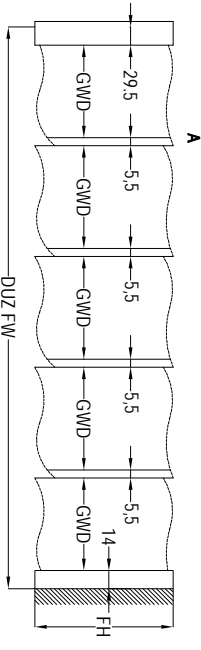
FHY=YAN KASA YÜKSEKLİK / Vertical Frame Height) - FHY = FH - (62.3+62.3)mm
FHY = FH - 124.6 mm

SH=(KANAT YÜKSEKLİK / Sash Height) - SH = FH - 135mm

GH=(CAM YÜKSEKLİK / Glass Height) - GH = (SH - 25+25)mm
GH = SH - 50 mm

GW=(CAM KANAT GENİŞLİK / Glass Sash Width) - GW = FW (mm) - ((14+29.5) + (A-1)X5.5)

A=Kanat Adedi



AKSESUARLAR / ACCESSORIES

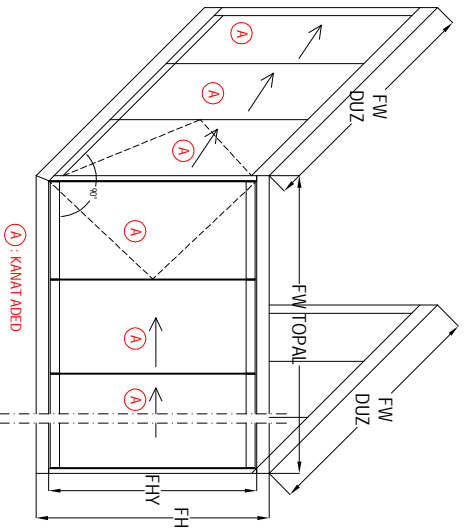
MKT/AR /Uml	KODU / Code	PROF. L.C.Z.M / Drawing	PROF. L.TAMIMI / Description
6 Aedel / Pcs	B40-08		TEKER ÇIKI KAPA I / Roller Out Cover
3 Aedel / Pcs	B40-12		KANAT TEKER KILAVUZU / Roller Guide
6 Aedel / Pcs	B40-14		KANAT PARK SABİTLEMİ- KANAT ADEDİNE GÖRE / Sash Fixing Sds According to Sash Pcs
Aedel / Pcs x (A2) / 6	B40-02		KANAT SABİT TEKER / Roller For Sash
Aedel / Pcs x (A2) / 6	B40-01		KANAT K.L.T TEKER / Roller For Park
6 Aedel / Pcs	B40-24		YANI KASA BA. LANTI / Frame Joint Part
2 Takım / Set	B40-04		B.T.M KAPA. I.SA. -SOL / Sash Cover Left/Right
4 Takım / Set	B40-07		90° KAPAK / Sash Cover 90°
(A X 2) 6 Takım / Set	B40-03		DUZ KAPAK SA. -SOL / Sash Cover Left/Right
3 Aedel / Pcs	B40-10		LK KANAT ALT P.M / First Sash Bottom Hinge
3 Aedel / Pcs	B40-11		LK KANAT ÜST P.M / First Sash Top Hinge
6 Aedel / Pcs	B40-09		KANAT K.L.T / Sash Lock
3 Aedel / Pcs	B40-19		KANAT STOPLAMA / Sash Stopper
(2x FH) - (SUVK4) = mt	KF 67-1000		FIRÇA F.T.L / Brush Gasket
4 Aedel / Pcs	B40-20		HAREKETLİ MANSAL / Moving Material

DUZ CAM PROF. LER / PROFILES 2

NO / Number	ADET / Uml	KODU / Code	PROF. L.C.Z.M / Drawing	PROF. L.TAMIMI / Description	KESİM ÖLÇÜSÜ / Cutting Dimensions
1	2	AB40-11		YATAY KASA PROF. L / Horizontal Frame Profile	FW
2	2	AB40-31		D KEY KASA PROF. L / Vertical Frame Profile	FH - 124,6 mm
3	2 x 2	AB40-21		LK KANAT PROF. L -YATAY / Horizontal First Sash Profile	SHD1 = GW - 21 mm
4	(A-4) x 2	AB40-21		ARA KANAT PROF. L -YATAY / Horizontal Middle Sash Profile	SHD = GW - 14 mm
5	2 x 2			SOL KANAT PROF. L -YATAY / Horizontal End Sash Profile	SHD2 = GW - 29 mm
6	2	CCH-8S		"H" CAM CONTIASI / "H" Glass Gasket	GH - 17 mm
7	A- 2	CCH-8S		"H" CAM CONTIASI / "H" Glass Gasket	GH - 17 mm

TOPAL CAM PROF. LER / PROFILES

NO / Number	ADET / Uml	KODU / Code	PROF. L.C.Z.M / Drawing	PROF. L.TAMIMI / Description	KESİM ÖLÇÜSÜ / Cutting Dimensions
1	2	AB40-11		YATAY KASA PROF. L / Horizontal Frame Profile	FW
2	1	AB40-31		D KEY KASA PROF. L / Vertical Frame Profile	FH - 124,6 mm
3	2 x 4	AB40-21		LK VE SOL KANAT PROF. L -YATAY / Horizontal First End Sash Profile	SHT = GW - 32 mm
4	(A-4) x 2	AB40-21		ARA KANAT PROF. L -YATAY / Horizontal Middle Sash Profile	SHT = GW - 14 mm
6	2	CCH-8S		"H" CAM CONTIASI / "H" Glass Gasket	GH - 17 mm
7	A- 2	CCH-8S		"H" CAM CONTIASI / "H" Glass Gasket	GH - 17 mm
8	2	CC90-8S		90° KO E "H" CAM CONTIASI / "H" Glass Gasket	GH - 17 mm

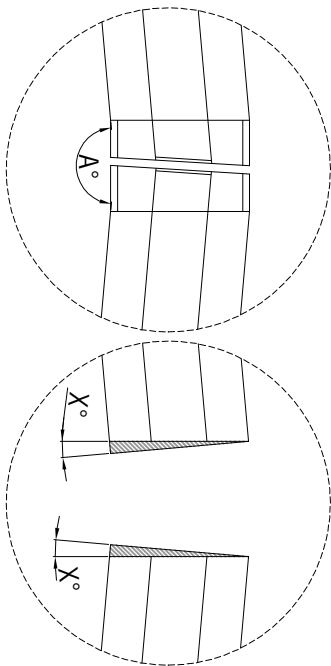


KAVSUL CAM BALKON AÇILARININ HESAPLANMASI

Calculation Of Angles in Curved Balcony Glazing Fabricators

AÇI ARALIKLARI/Angles Between
(180°-162°)

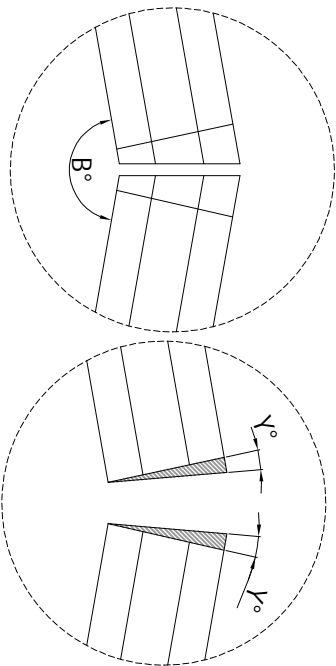
$$X^{\circ}=(180^{\circ}-A^{\circ})/2$$



AÇI ARALIKLARI/Angles Between
(161°-135°)

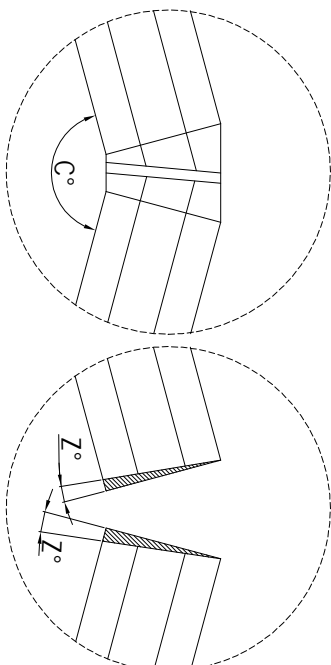
22,5° KAPAK PROFİL KESİM AÇISI
HESAPLANMASI/Calculation Of Top
Profile Cutting Angle Using 22,5° Cover

$$Y^{\circ}=(B-135^{\circ})/2$$



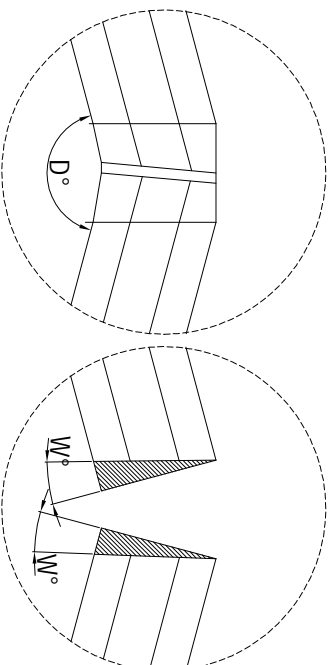
AÇI ARALIKLARI/Angles Between
(135°-161°)

$$Z^{\circ}=(135^{\circ}-C^{\circ})/2$$



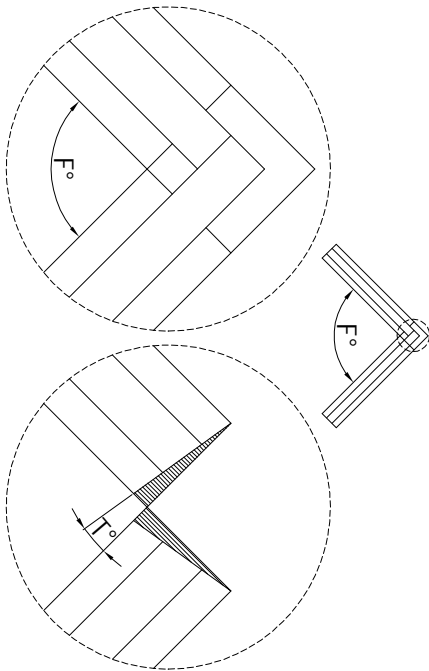
AÇI ARALIKLARI/Angles Between
(114°-102°)

$$W^{\circ}=(180^{\circ}-D^{\circ})/2$$



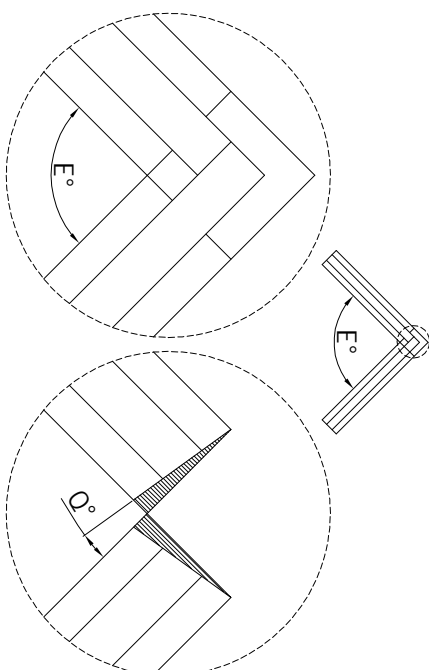
AÇI ARALIKLARI/Angles Between
(89°-78°)

$$T^{\circ}=(90^{\circ}-F^{\circ})/2$$



AÇI ARALIKLARI/Angles Between
(89°-78°)

$$O^{\circ}=(E^{\circ}-90^{\circ})/2$$



AÇILARINA GÖRE KAPAK KULLANIMI/ Cover Use According To Angle

AÇI ARALIKLARI/Intervals Of Angles	KAPAK AÇILARI/Cover To Be Used	KESME T P /Type Of Cutting
162° -180°	Düz Kapak/Straight Cover	Açılı Kesim/Angle Cutting
135° -161°	22,5°Kapak/Cover	Açılı Kesim/Angle Cutting
115° -134°	22,5°Kapak/Cover	Açılı Kesim/Angle Cutting
102° -114°	Düz Kapak/Straight Cover	Açılı Kesim/Angle Cutting
90° -101°	45°Kapak/Cover	Açılı Kesim/Angle Cutting
78° -89°	45°Kapak/Cover	Açılı Kesim/Angle Cutting